



US00D732103S

(12) **United States Design Patent**  
**Roper et al.**

(10) **Patent No.:** **US D732,103 S**

(45) **Date of Patent:** **\*\* Jun. 16, 2015**

(54) **STABILIZED GIMBAL ASSEMBLY**

2014/0099092 A1\* 4/2014 Di Leo ..... 396/420

(71) Applicant: **FREEFLY SYSTEMS, INC.**,  
Redmond, WA (US)

\* cited by examiner

(72) Inventors: **Ian Roper**, Snohomish, WA (US); **Tabb  
Firchau**, Redmond, WA (US); **David  
Bloomfield**, Redmond, WA (US); **Keith  
Hoffman**, Lake Stevens, WA (US)

*Primary Examiner* — Susan Bennett Hattan

*Assistant Examiner* — Vy Koenig

(74) *Attorney, Agent, or Firm* — Talem IP Law, LLP

(73) Assignee: **FREEFLY SYSTEMS, INC.**,  
Woodinville, WA (US)

(57) **CLAIM**

The ornamental design for a stabilized gimbal assembly, as shown and described.

(\*\*) Term: **14 Years**

**DESCRIPTION**

(21) Appl. No.: **29/484,767**

(22) Filed: **Mar. 12, 2014**

(51) **LOC (10) Cl.** ..... **16-05**

(52) **U.S. Cl.**  
USPC ..... **D16/243**

(58) **Field of Classification Search**

USPC ..... D16/205, 208, 211, 214, 218–220, 235,  
D16/237–250, 302, 303; D8/354, 363,  
D8/394–396; D14/217, 251, 253, 447, 452  
CPC ..... G03B 17/14; G03B 17/26; G03B 17/30;  
G03B 17/56; G03B 17/561–17/568; G03B  
21/54; F16M 11/10; F16M 11/14; F16M  
11/26; F16M 11/28; F16M 11/38; F16M  
13/00; F16M 13/04; H04N 5/2254

See application file for complete search history.

(56) **References Cited**

**U.S. PATENT DOCUMENTS**

6,056,449	A *	5/2000	Hart	396/421
7,068,927	B2 *	6/2006	Itzkowitz	396/13
D570,396	S *	6/2008	Foddis	D16/242
D609,734	S *	2/2010	Foddis	D16/242
D654,527	S *	2/2012	Hernandez	D16/242
8,657,507	B2 *	2/2014	Di Leo	396/420
D707,748	S *	6/2014	Hernandez	D16/243
D714,377	S *	9/2014	Yamauchi et al.	D16/243
D723,090	S *	2/2015	Firchau et al.	D16/242
2010/0254696	A1 *	10/2010	McKay	396/420
2010/0266270	A1 *	10/2010	Pizzo et al.	396/420

FIG. 1 is a front, left side, perspective view of a stabilized gimbal assembly having a main assembly, a camera shoe sub-assembly for the upper bar of the main assembly, and a camera shoe sub-assembly for the lower bar of the main assembly, showing our new design;

FIG. 2 is a left side elevation view thereof;

FIG. 3 is an exploded view thereof;

FIG. 4 is a rear, right side, perspective view of the main assembly of the stabilized gimbal assembly of FIG. 1;

FIG. 5 is a front elevation view thereof;

FIG. 6 is a rear elevation view thereof;

FIG. 7 is a left side elevation view thereof;

FIG. 8 is a right side elevation view thereof;

FIG. 9 is a top plan view thereof;

FIG. 10 is a bottom plan view thereof;

FIG. 11 is a front, left side, top perspective view of a stabilized gimbal sub-assembly for the main assembly of the stabilized gimbal assembly of FIG. 1;

FIG. 12 is a front elevation view thereof;

FIG. 13 is a rear elevation view thereof;

FIG. 14 is a left side elevation view thereof;

FIG. 15 is right side elevation view thereof;

FIG. 16 is a top plan view thereof;

FIG. 17 is a bottom plan view thereof;

FIG. 18 is a front, left side, top perspective view of a roll beam sub-assembly for the main assembly of the stabilized gimbal assembly of FIG. 1 or the stabilized gimbal sub-assembly of FIG. 11;

FIG. 19 is a rear, right side, bottom perspective view thereof;

FIG. 20 is a front elevation view thereof;

FIG. 21 is a rear elevation view thereof;

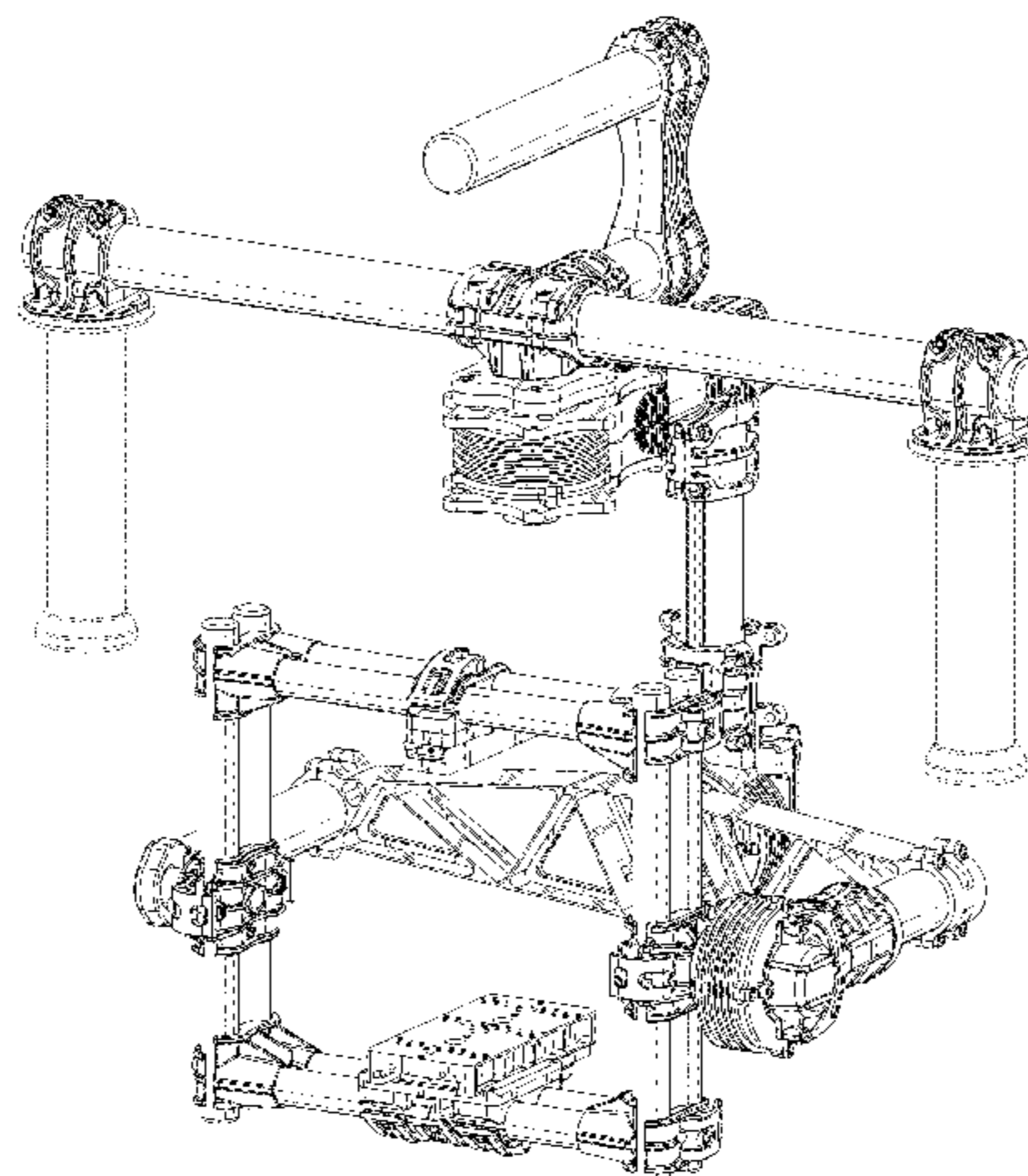


FIG. 22 is a left side elevation view thereof;  
FIG. 23 is right side elevation view thereof;  
FIG. 24 is a top plan view thereof;  
FIG. 25 is a bottom plan view thereof;  
FIG. 26 is a front, left side, top perspective view of a camera shoe sub-assembly for the upper bar of the main assembly for the stabilized gimbal assembly of FIG. 1;  
FIG. 27 is a rear, right side, bottom perspective view thereof;  
FIG. 28 is a left side elevation view thereof;  
FIG. 29 is a right side elevation view thereof;  
FIG. 30 is a front elevation view thereof;  
FIG. 31 is a rear elevation view thereof;  
FIG. 32 is a top plan view thereof;  
FIG. 33 is a bottom plan view thereof;

FIG. 34 is a front, left side, top perspective view of a camera shoe sub-assembly for the lower bar of the main assembly for a stabilized gimbal assembly of FIG. 1;  
FIG. 35 is a rear, right side, bottom perspective view thereof;  
FIG. 36 is a left side elevation view thereof;  
FIG. 37 is a right side elevation view thereof;  
FIG. 38 is a front elevation view thereof;  
FIG. 39 is a rear elevation view thereof;  
FIG. 40 is a top plan view thereof; and,  
FIG. 41 is a bottom plan view thereof.  
The broken lines illustrate environmental structure and form no part of the claimed design.

**1 Claim, 29 Drawing Sheets**



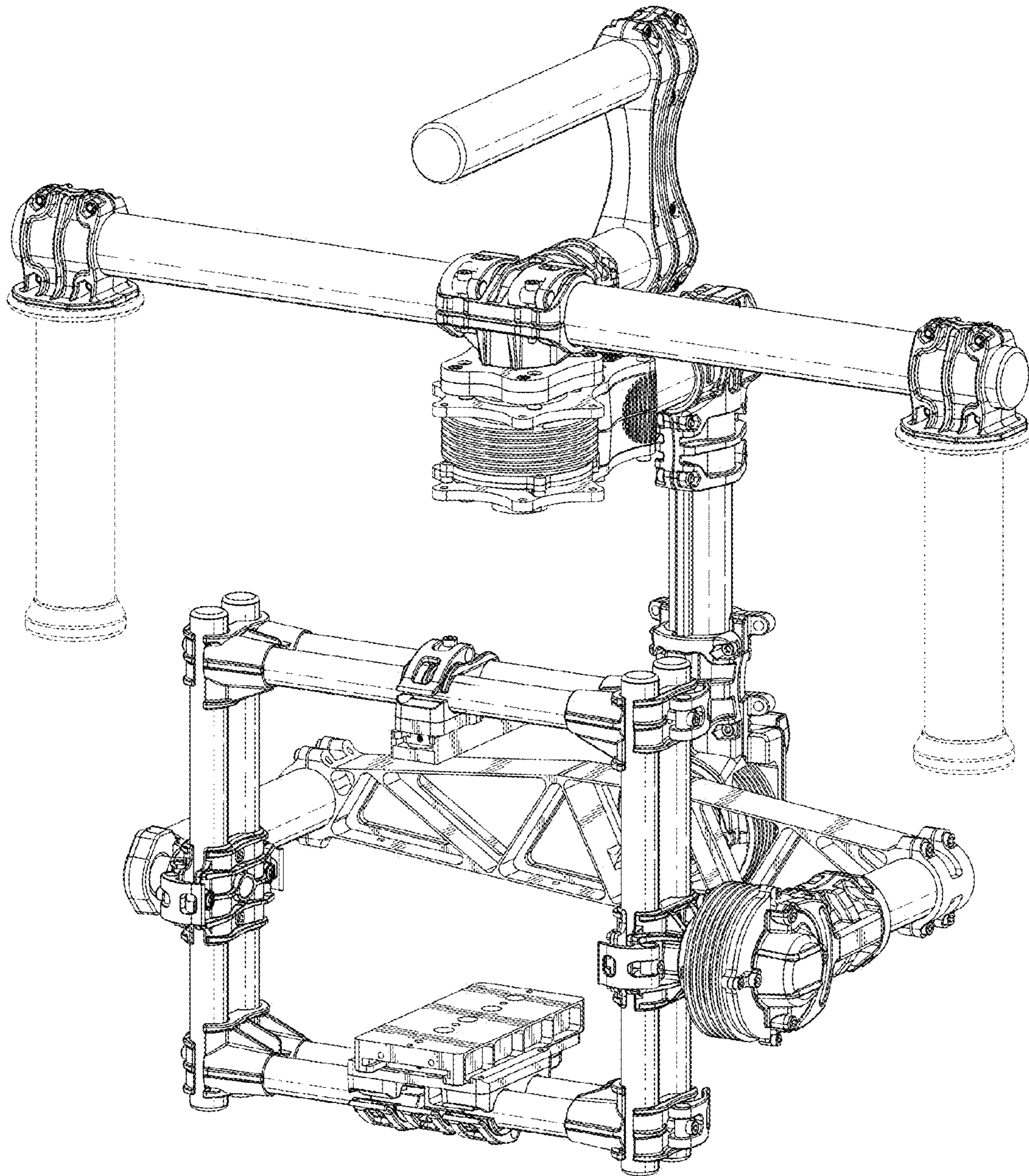


FIG. 1

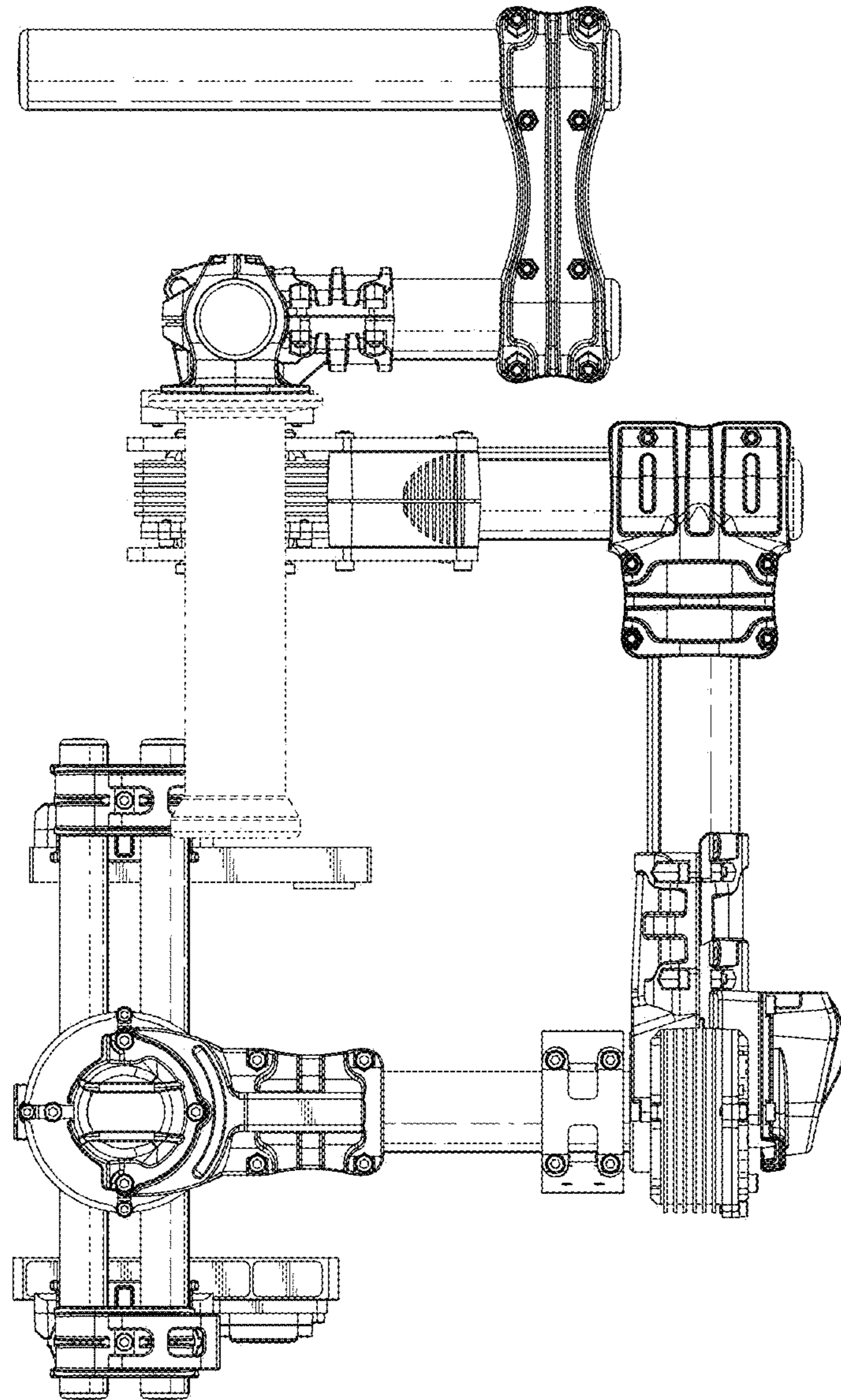


FIG. 2



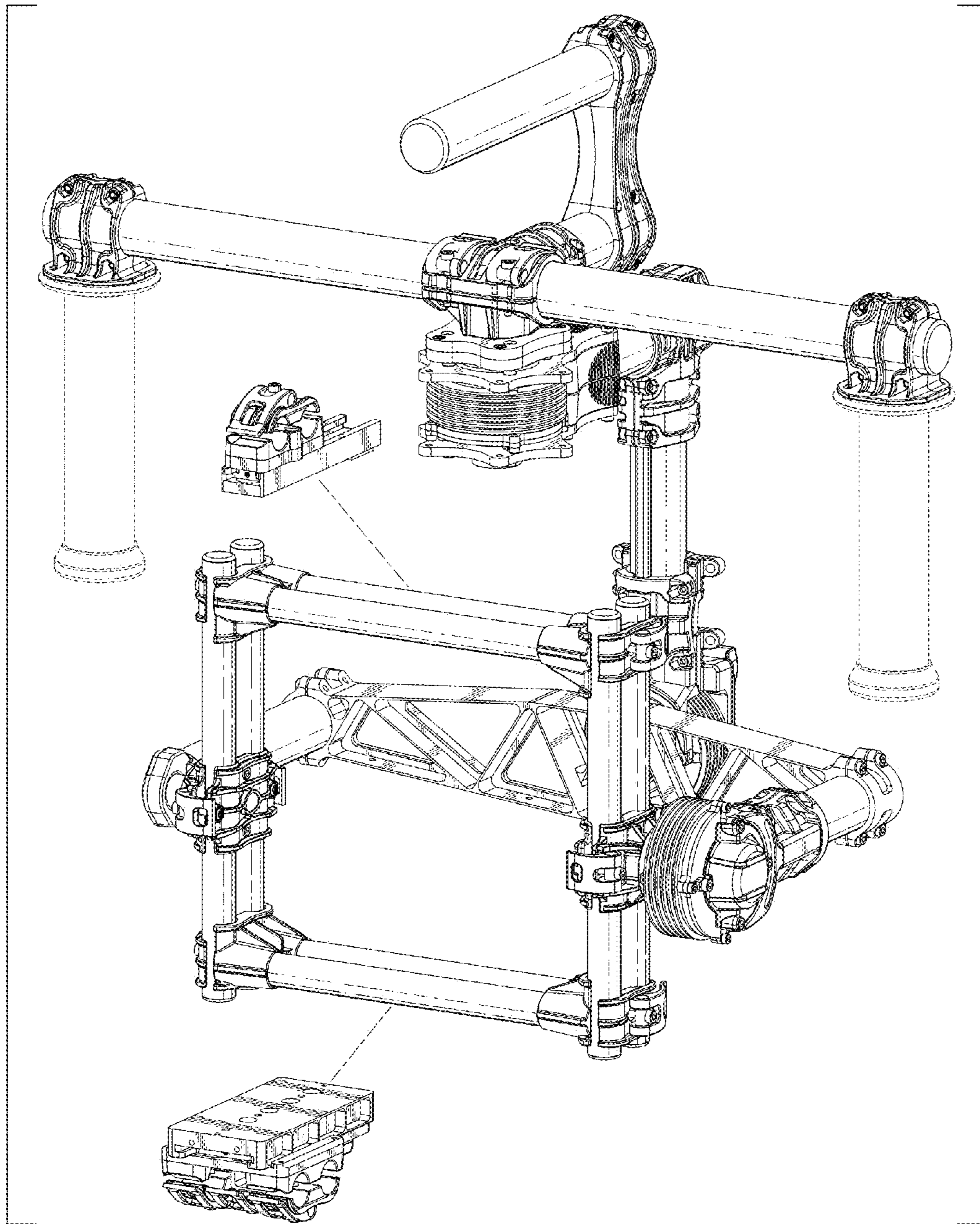


FIG. 3

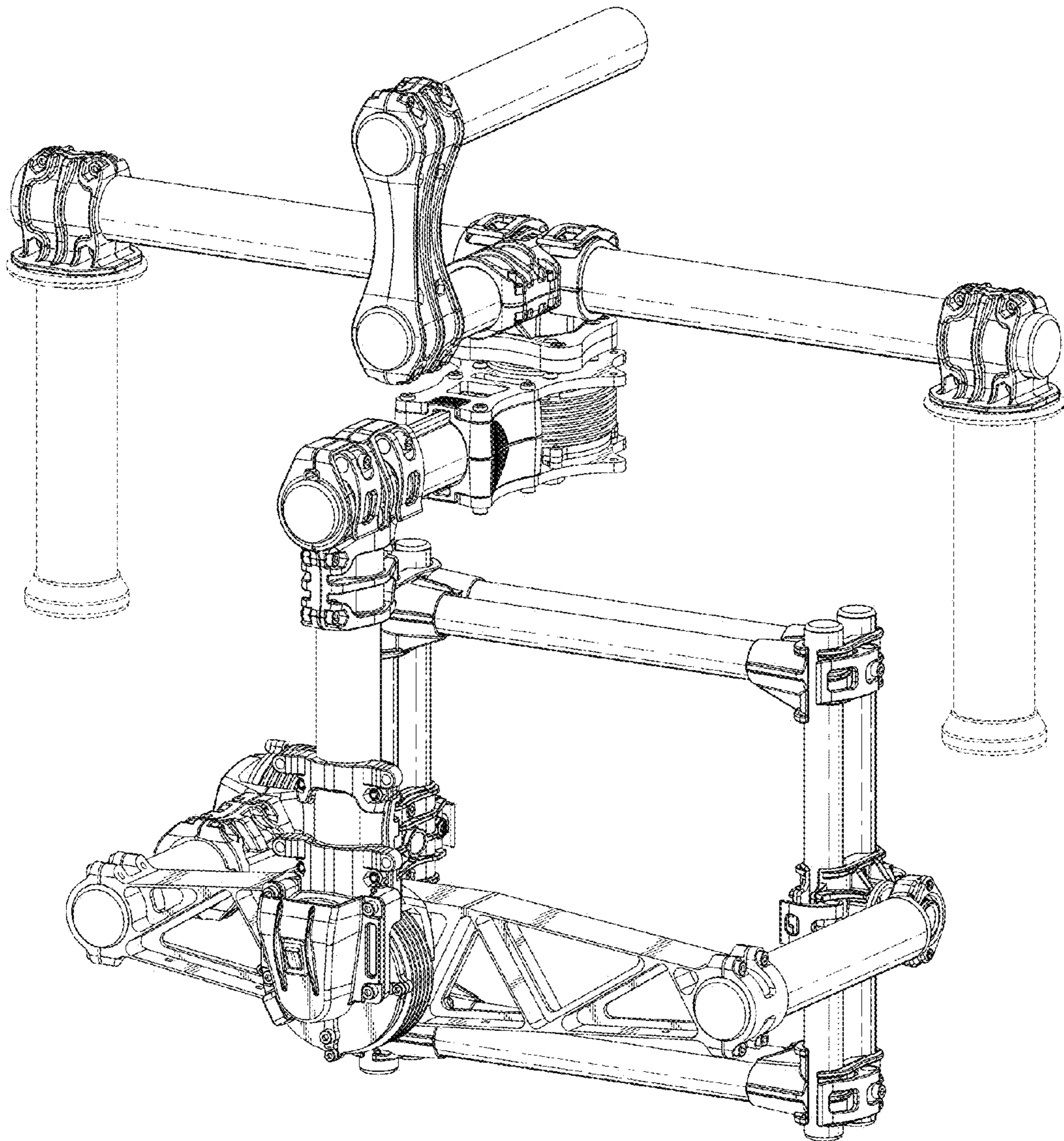


FIG. 4

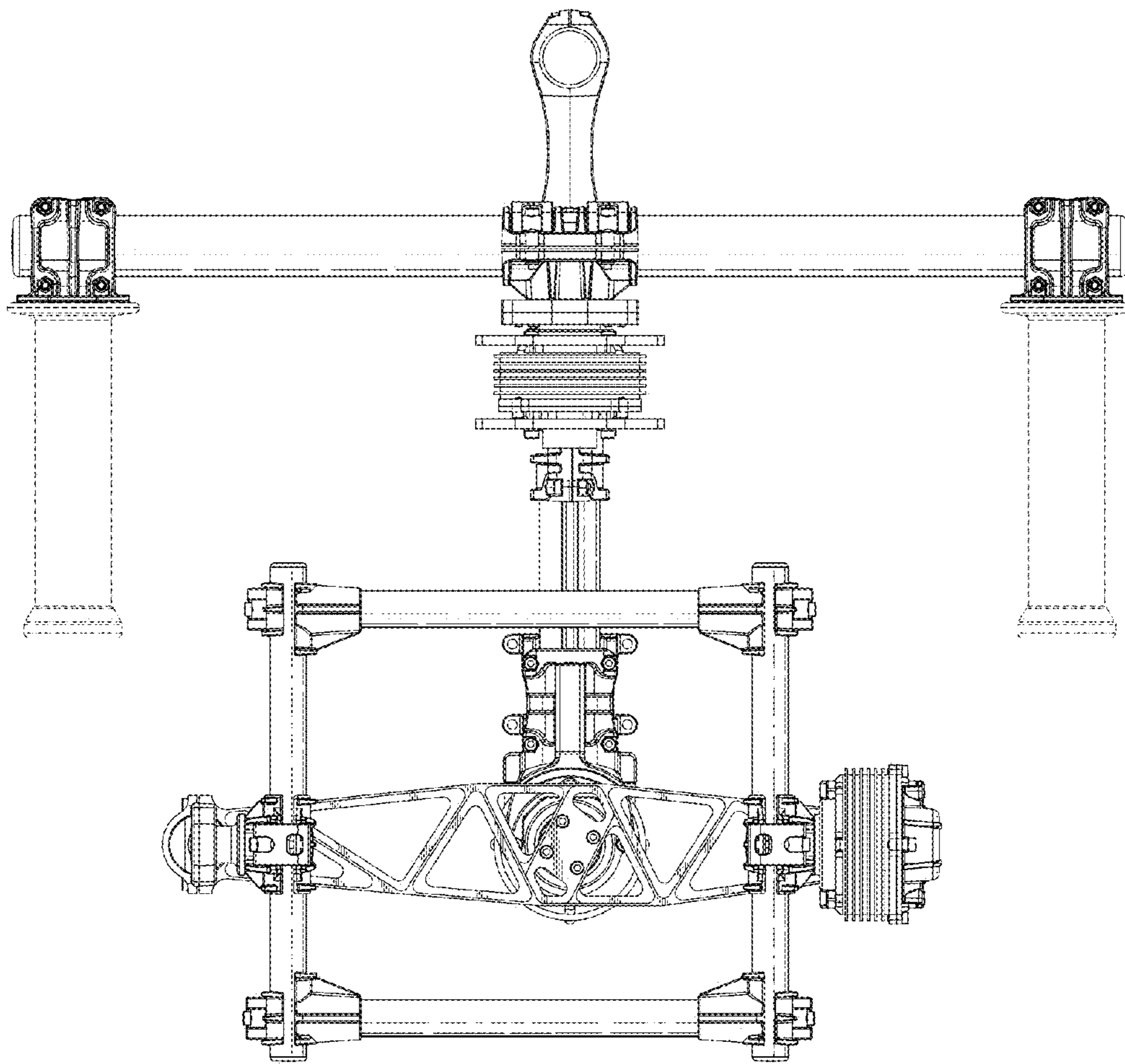


FIG. 5



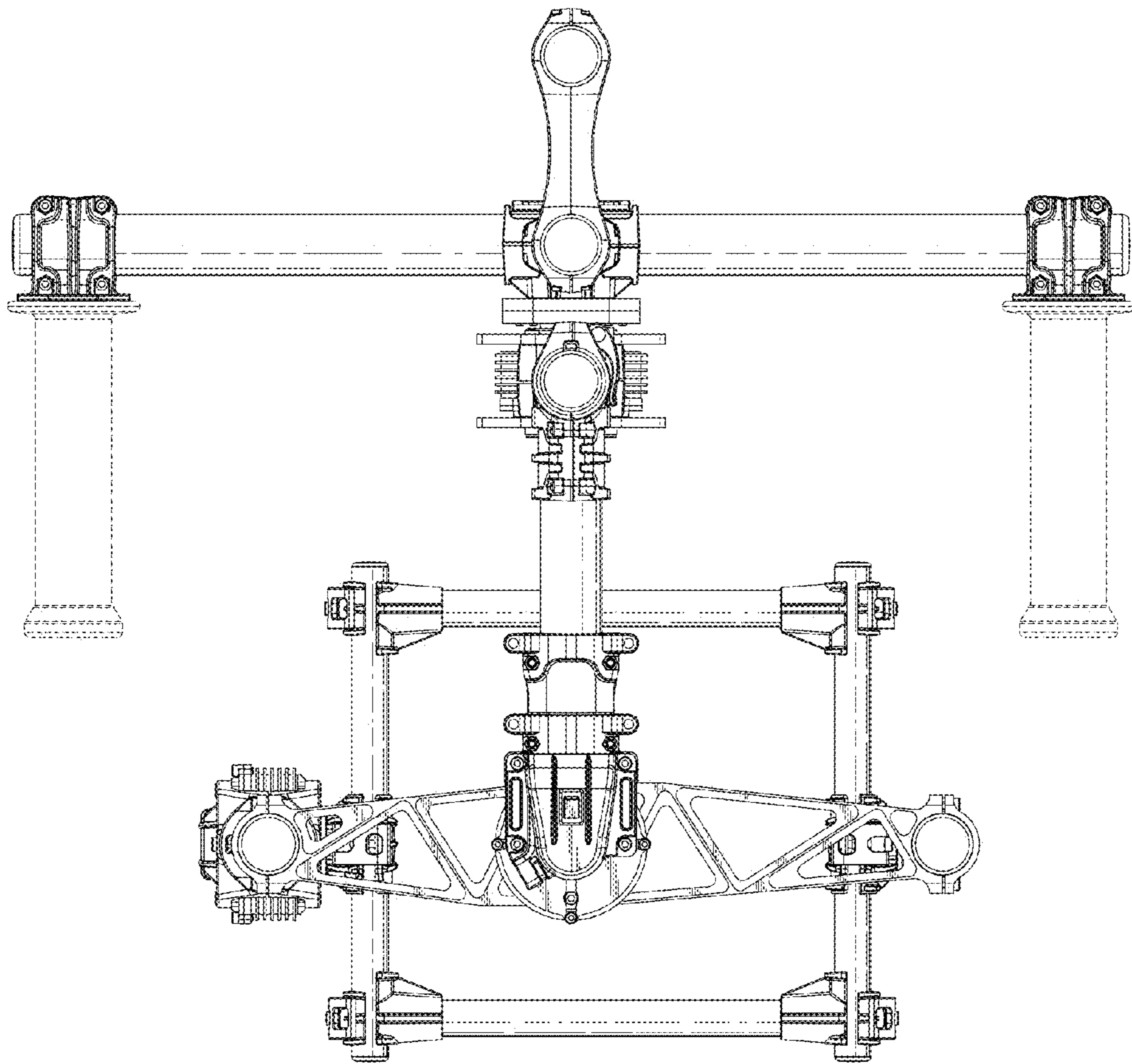


FIG. 6



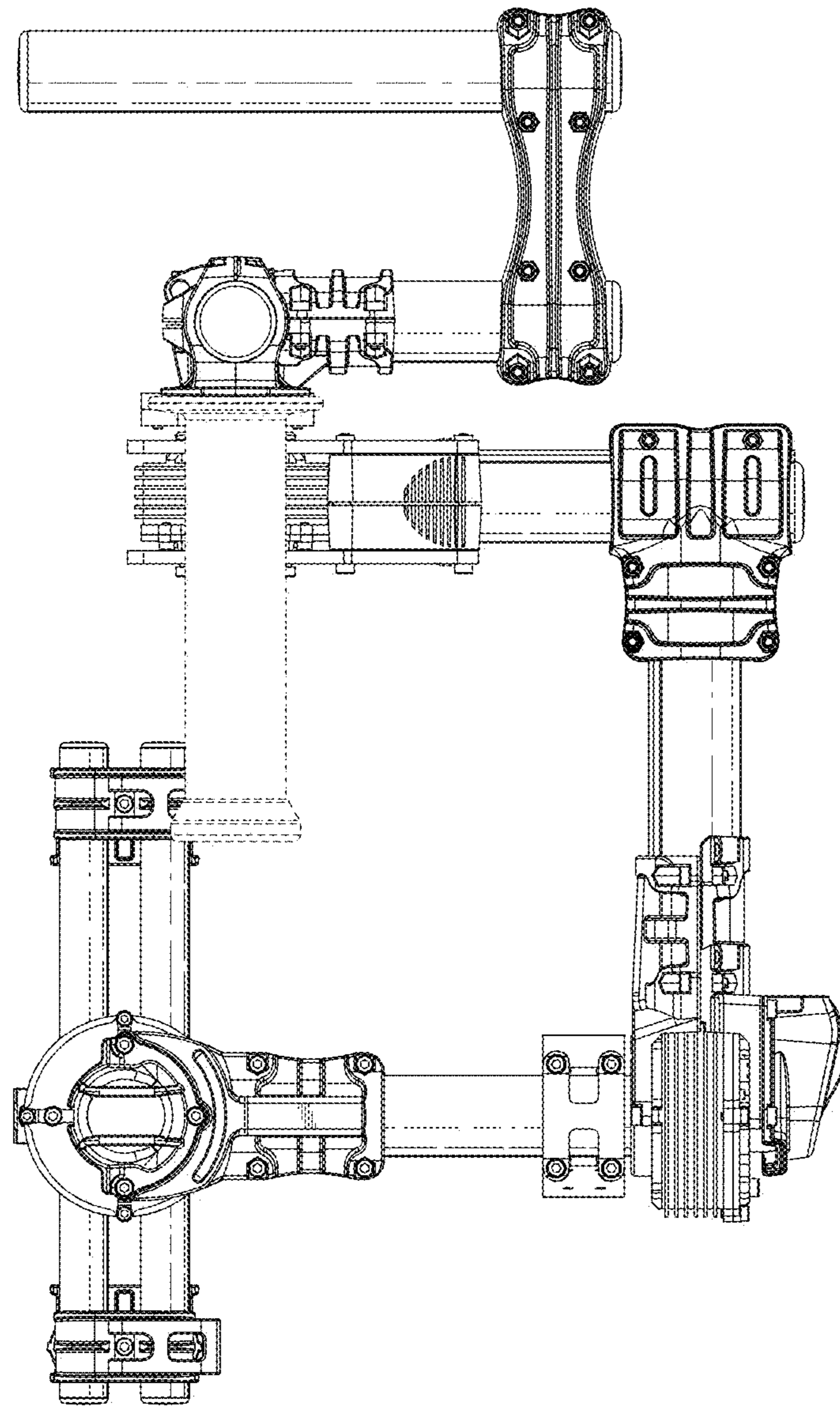


FIG. 7

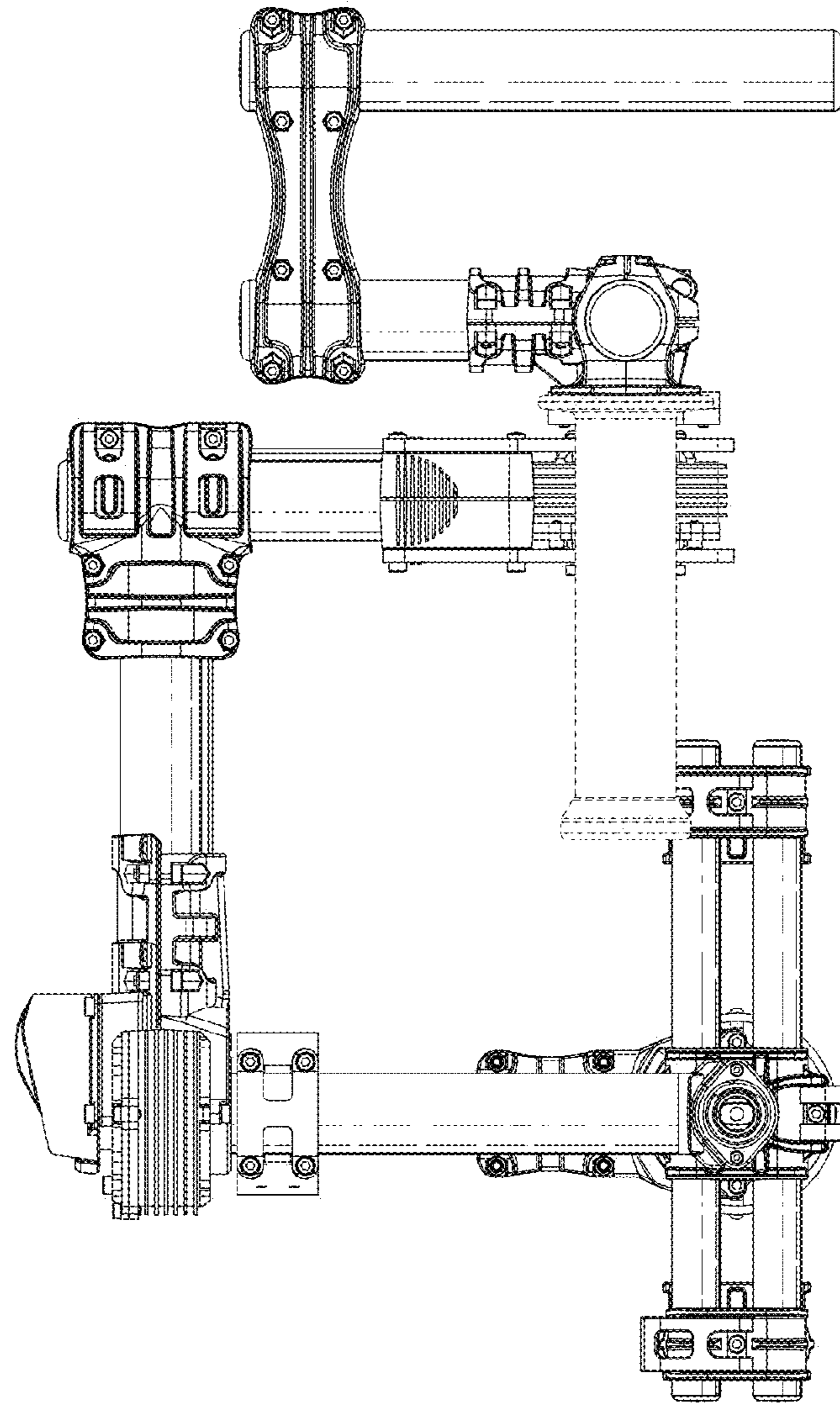


FIG. 8

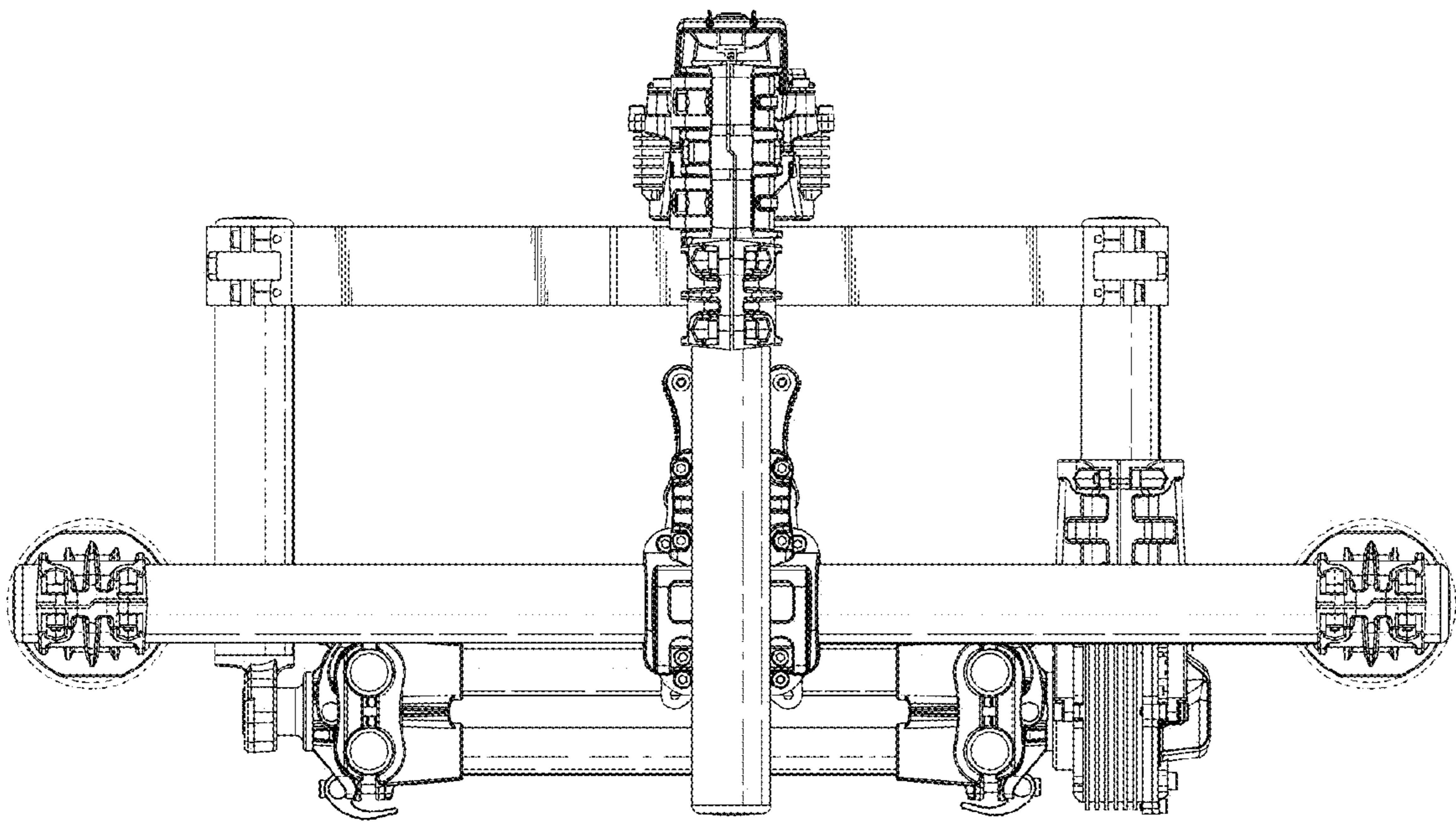


FIG. 9



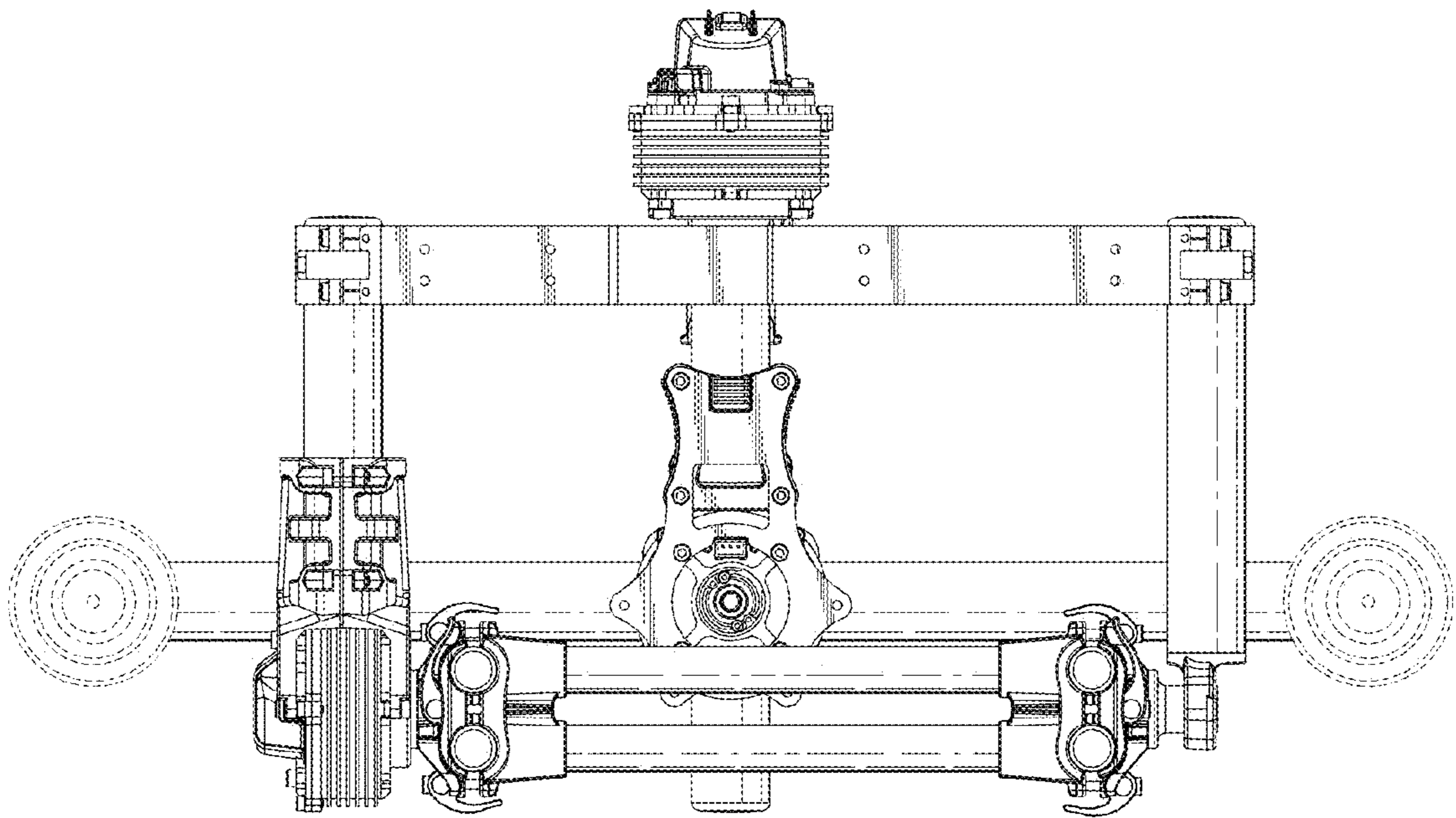


FIG. 10

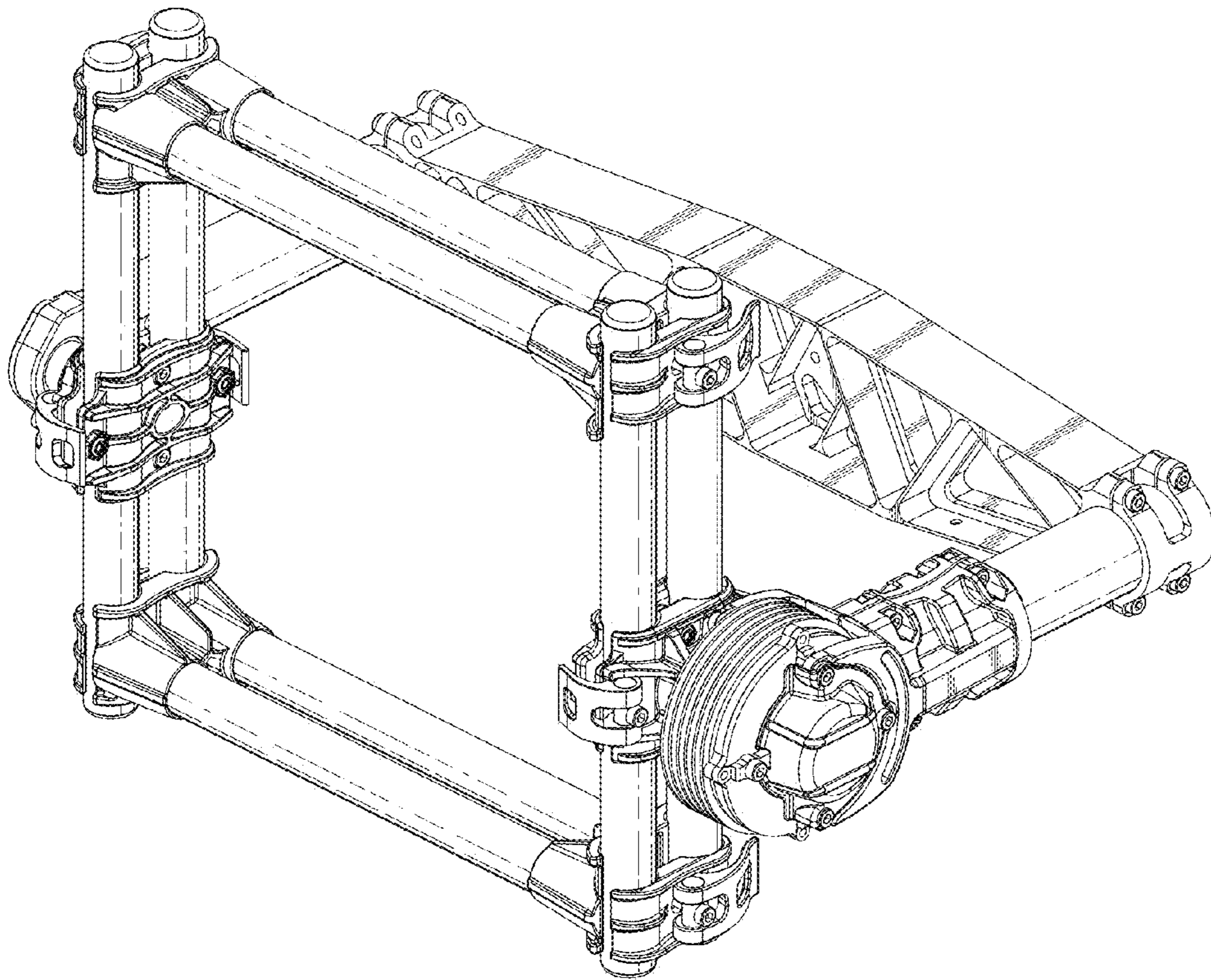


FIG. 11

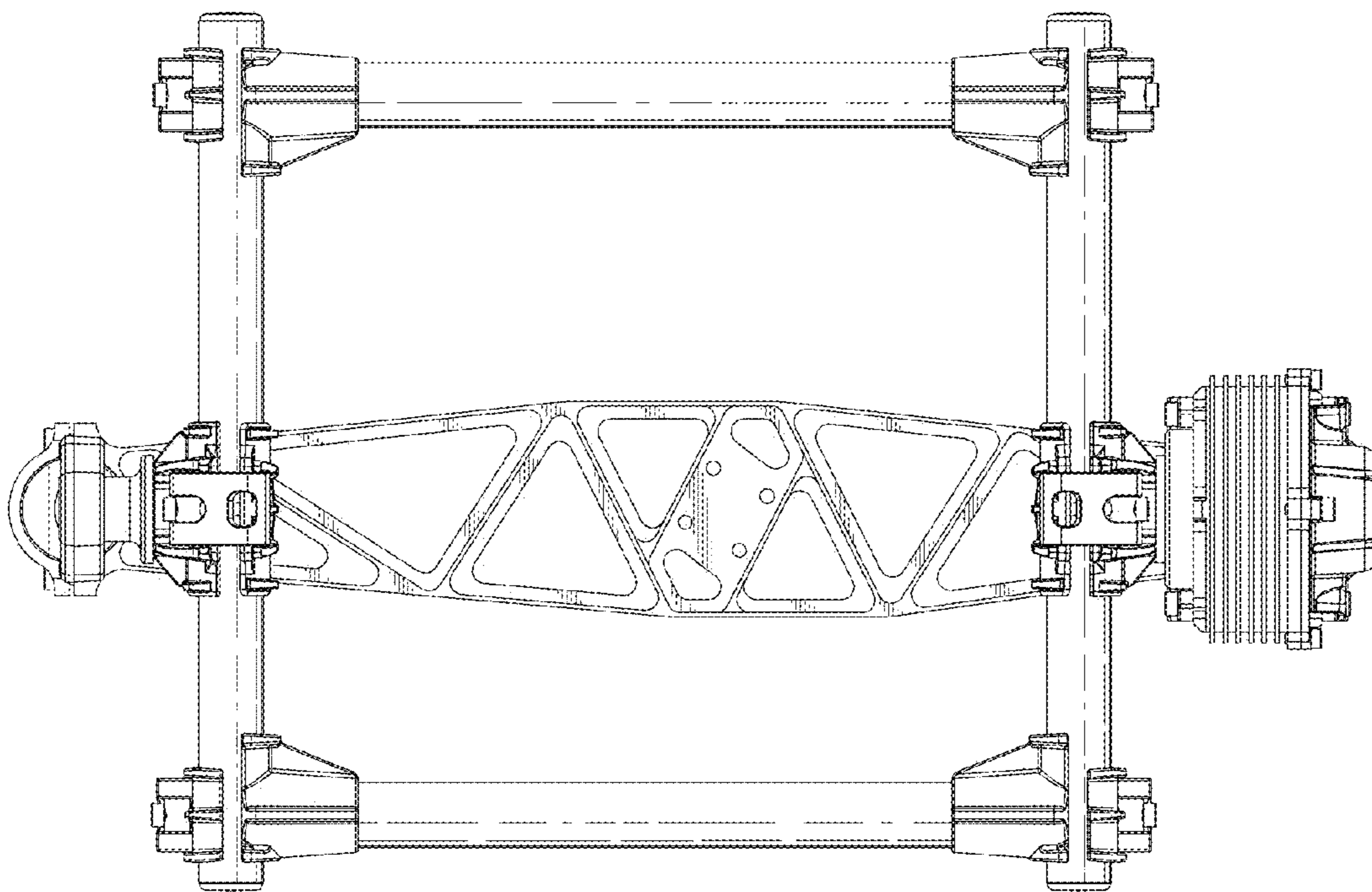


FIG. 12



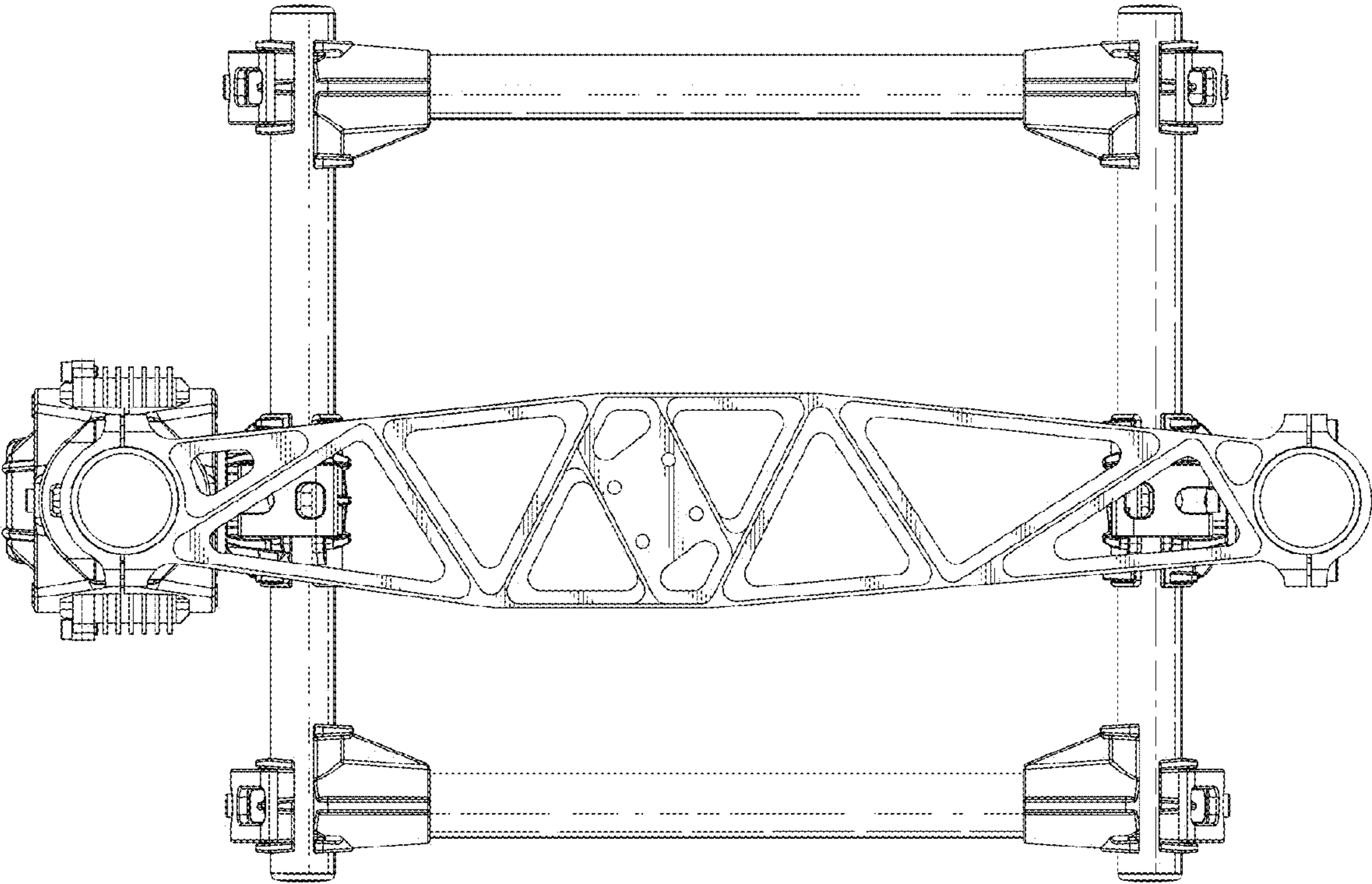
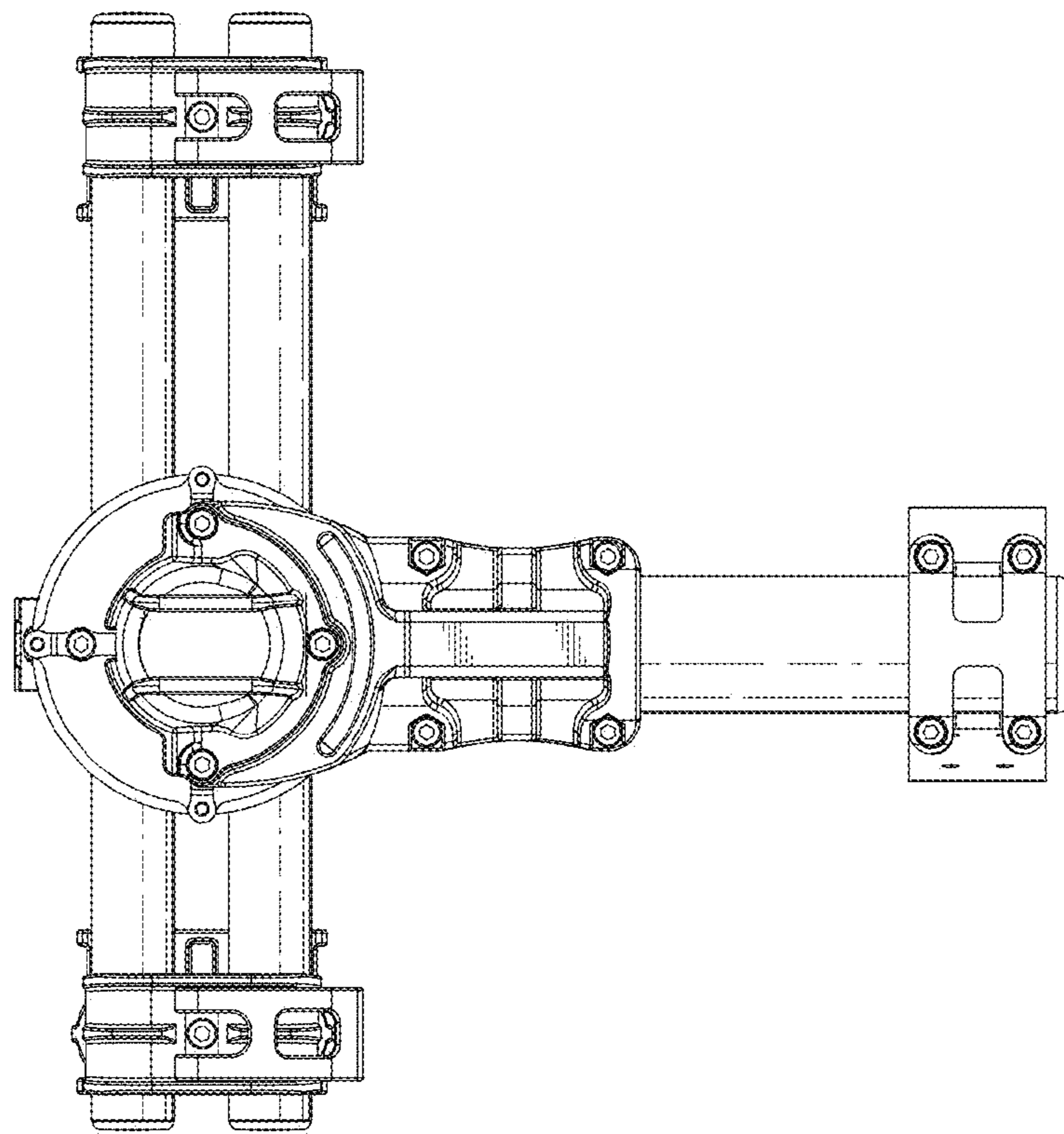


FIG. 13



*FIG. 14*

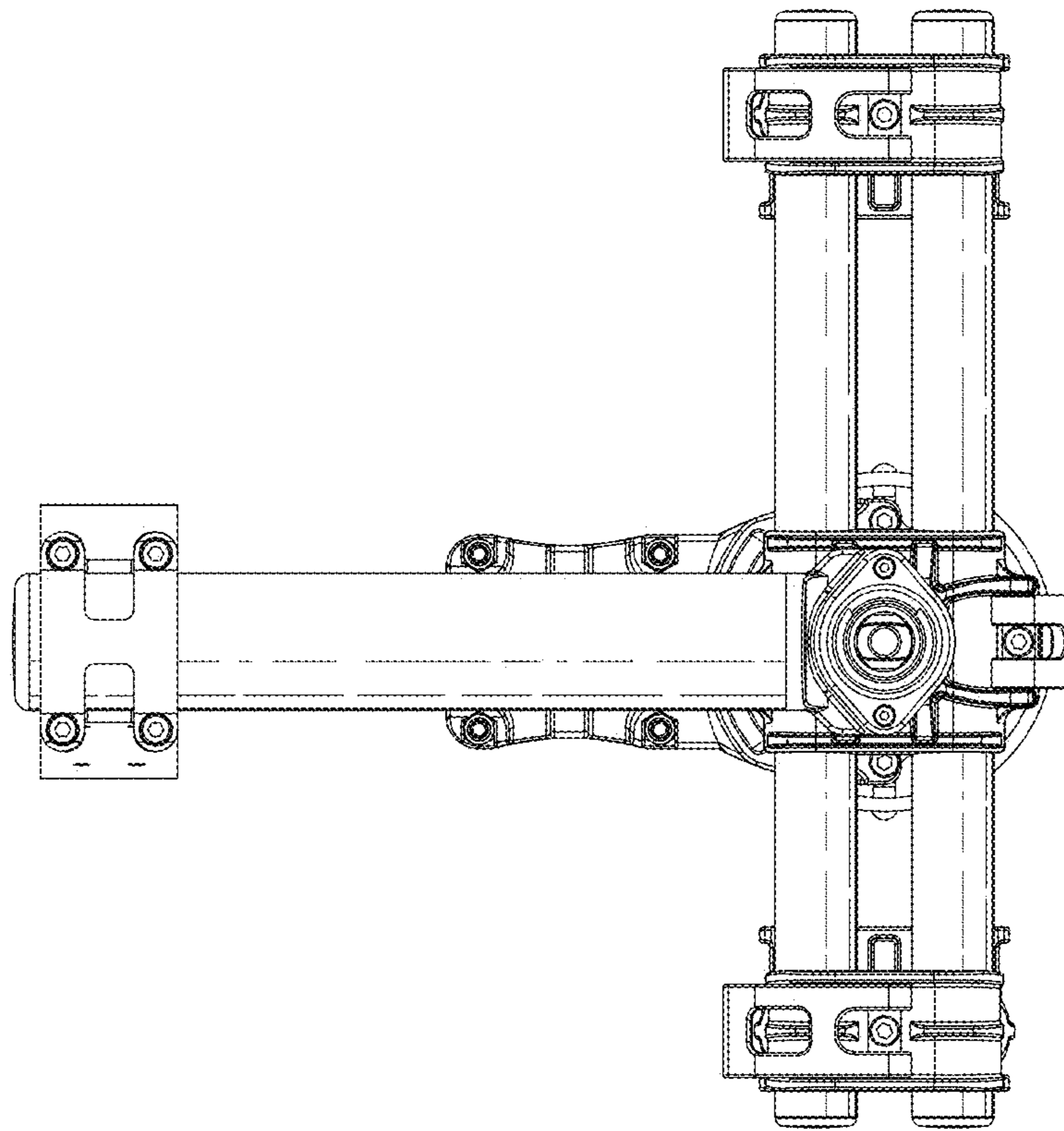


FIG. 15



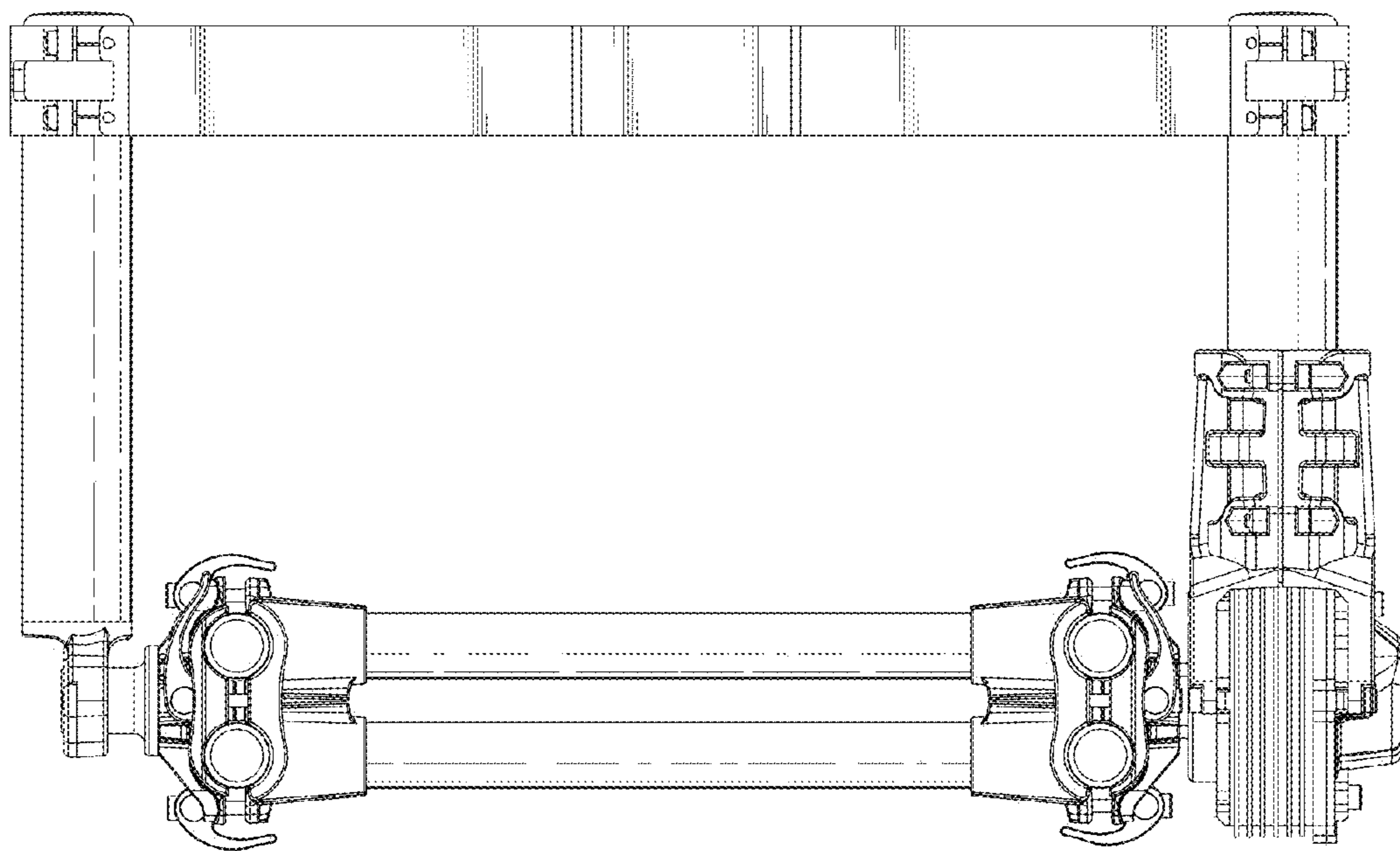


FIG. 16

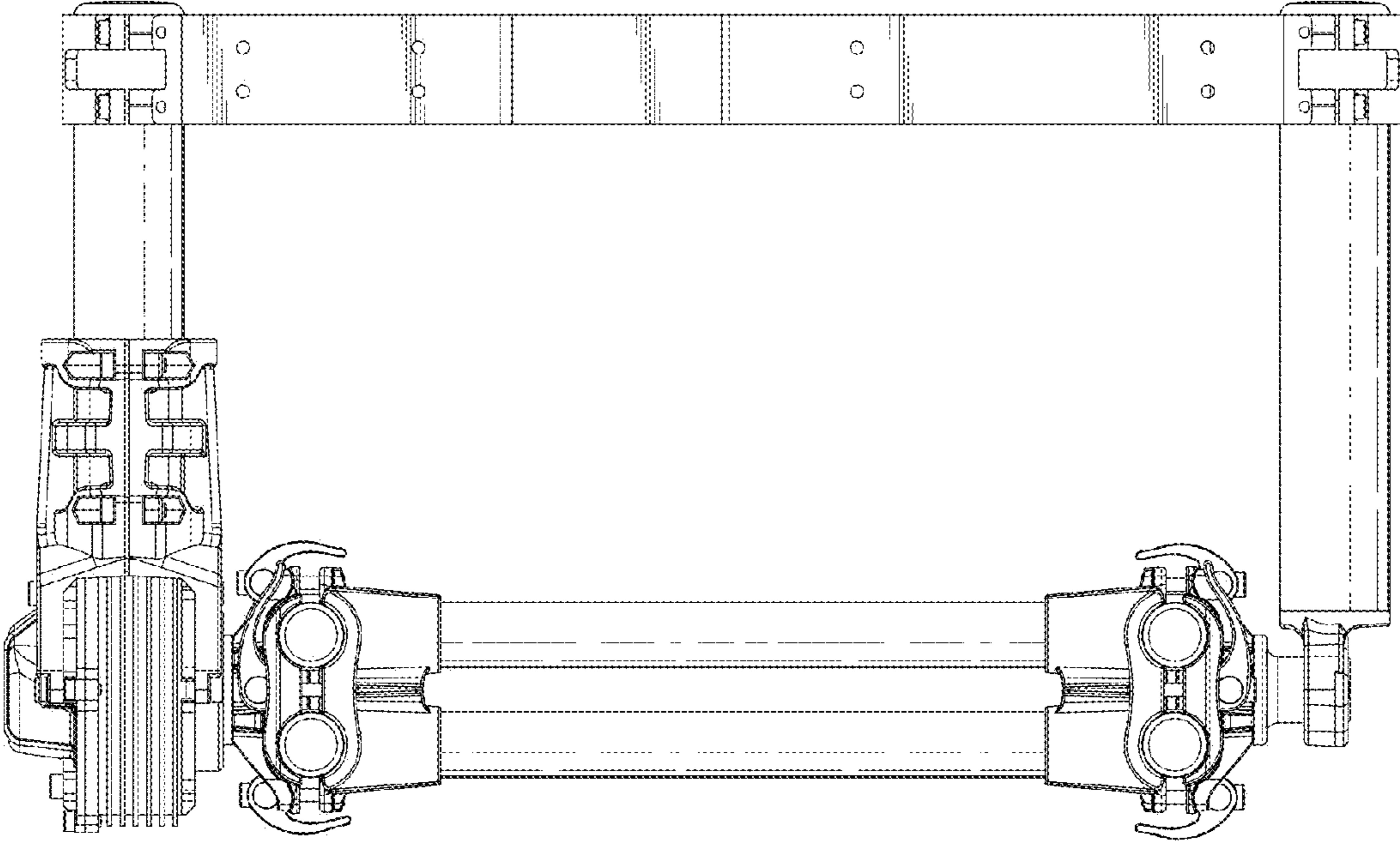
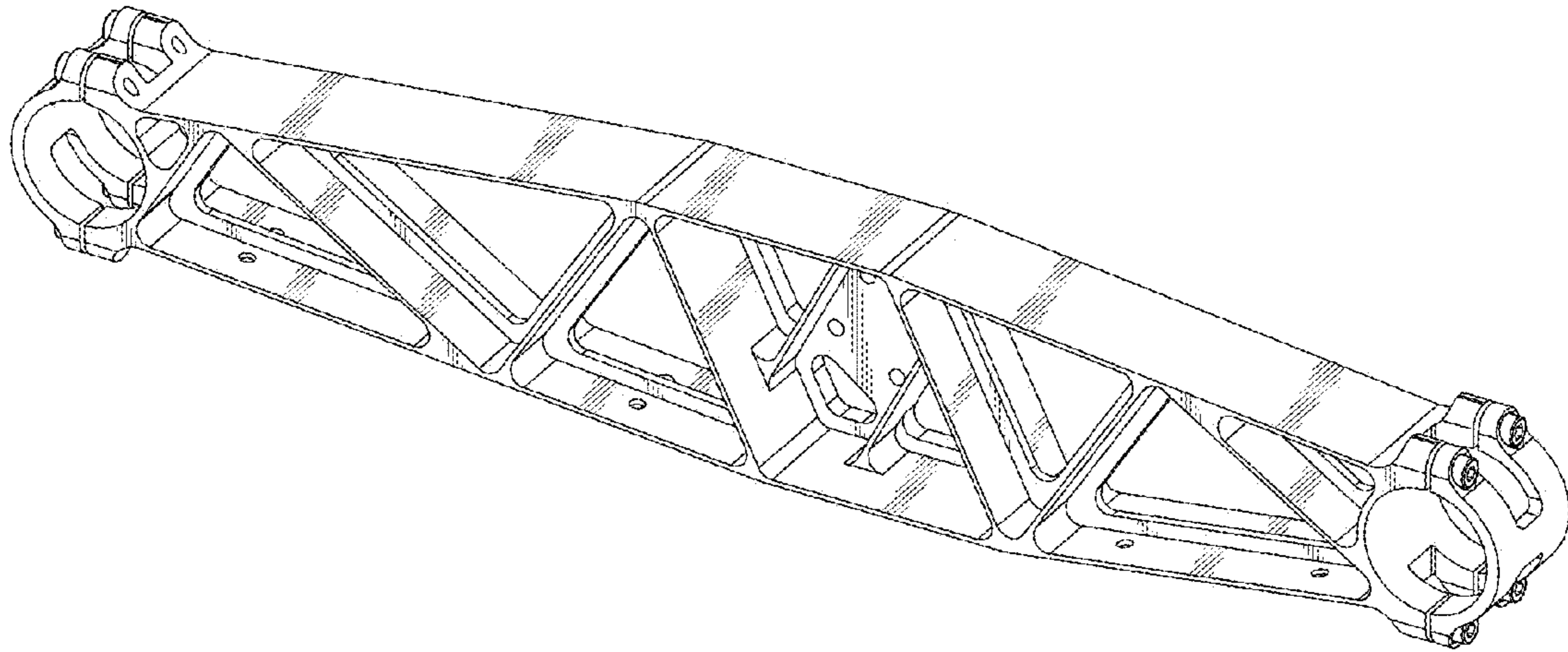
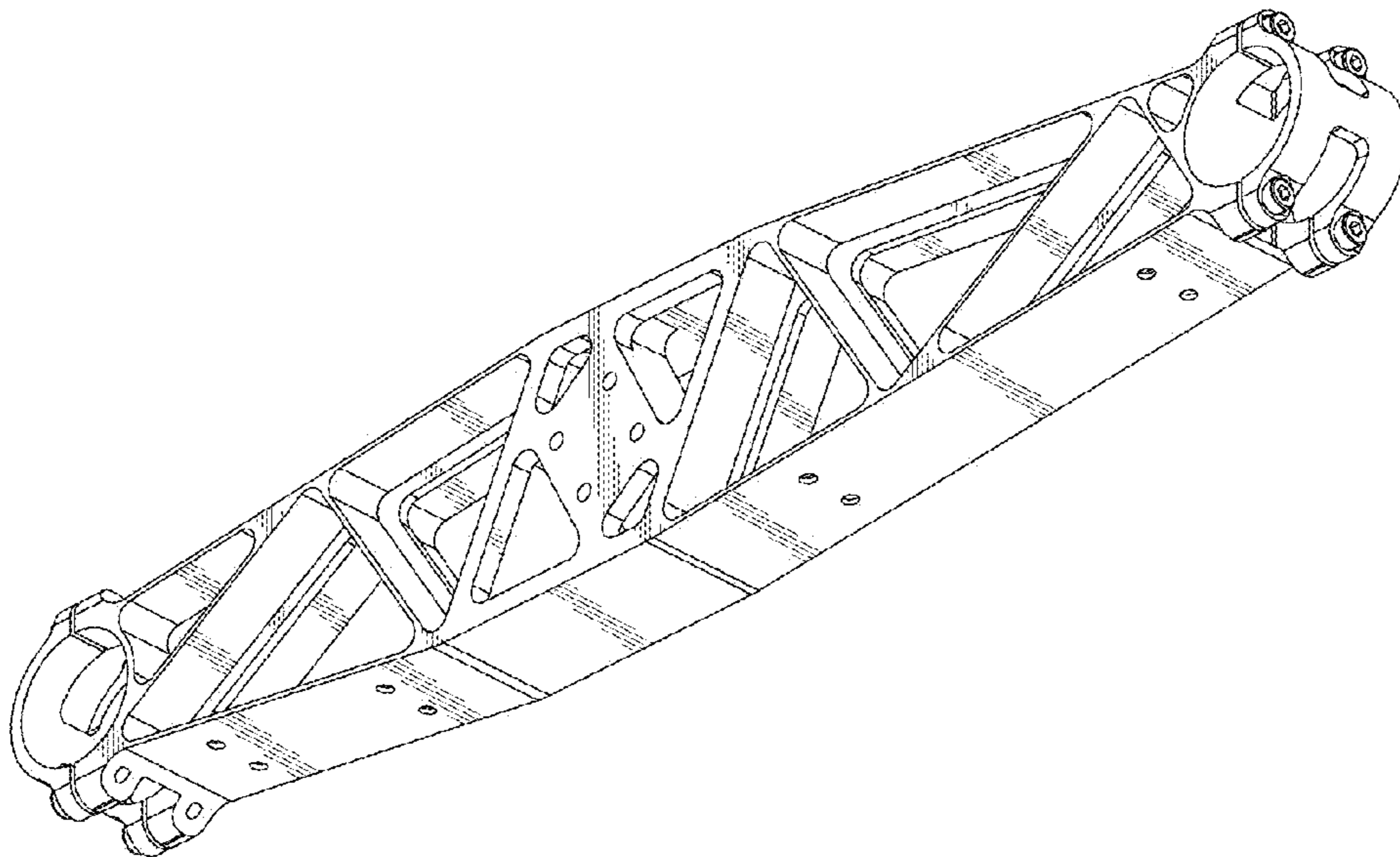


FIG. 17



*FIG. 18*



*FIG. 19*



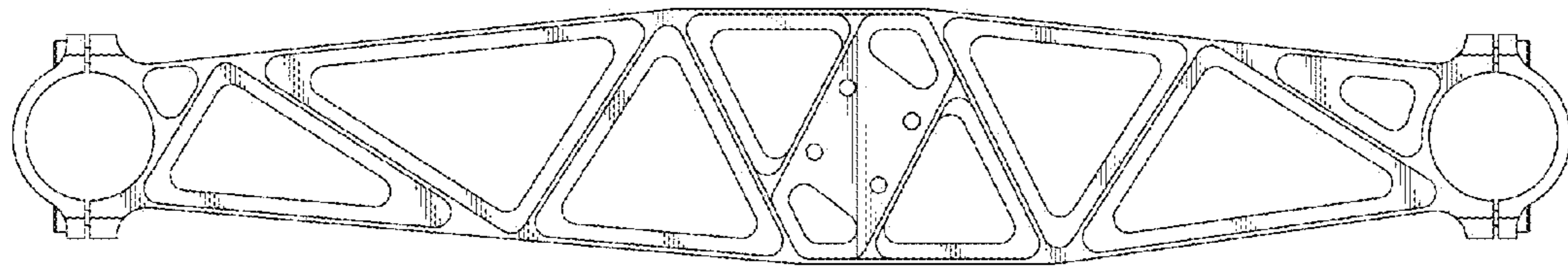


FIG. 20

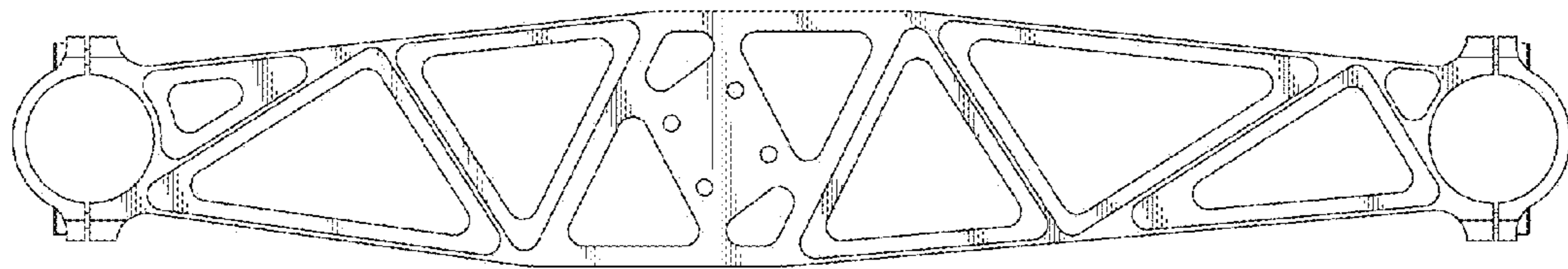


FIG. 21

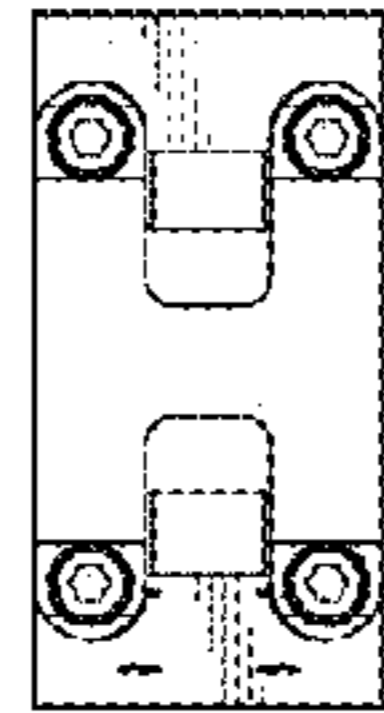


FIG. 22

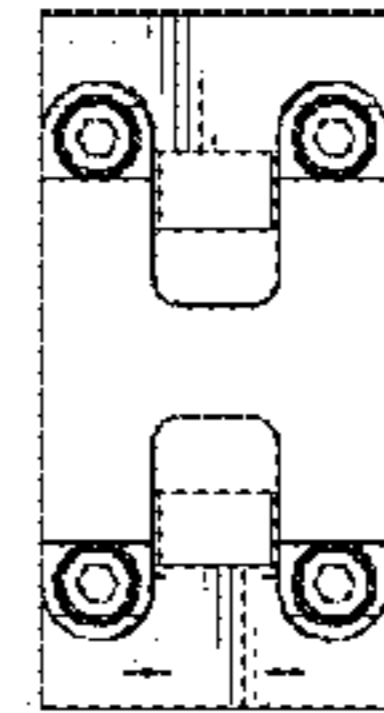


FIG. 23

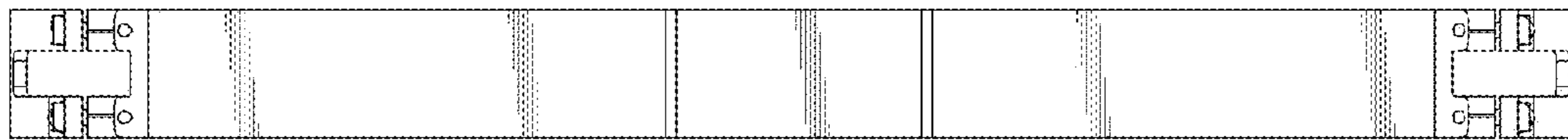


FIG. 24

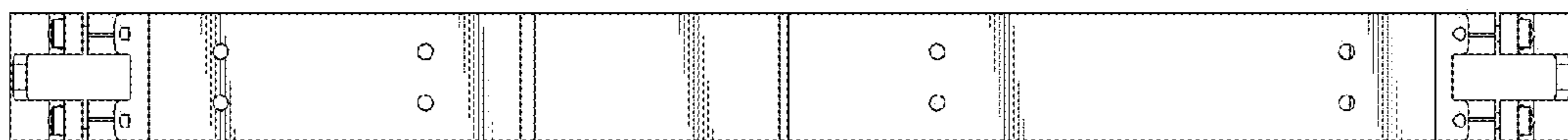


FIG. 25

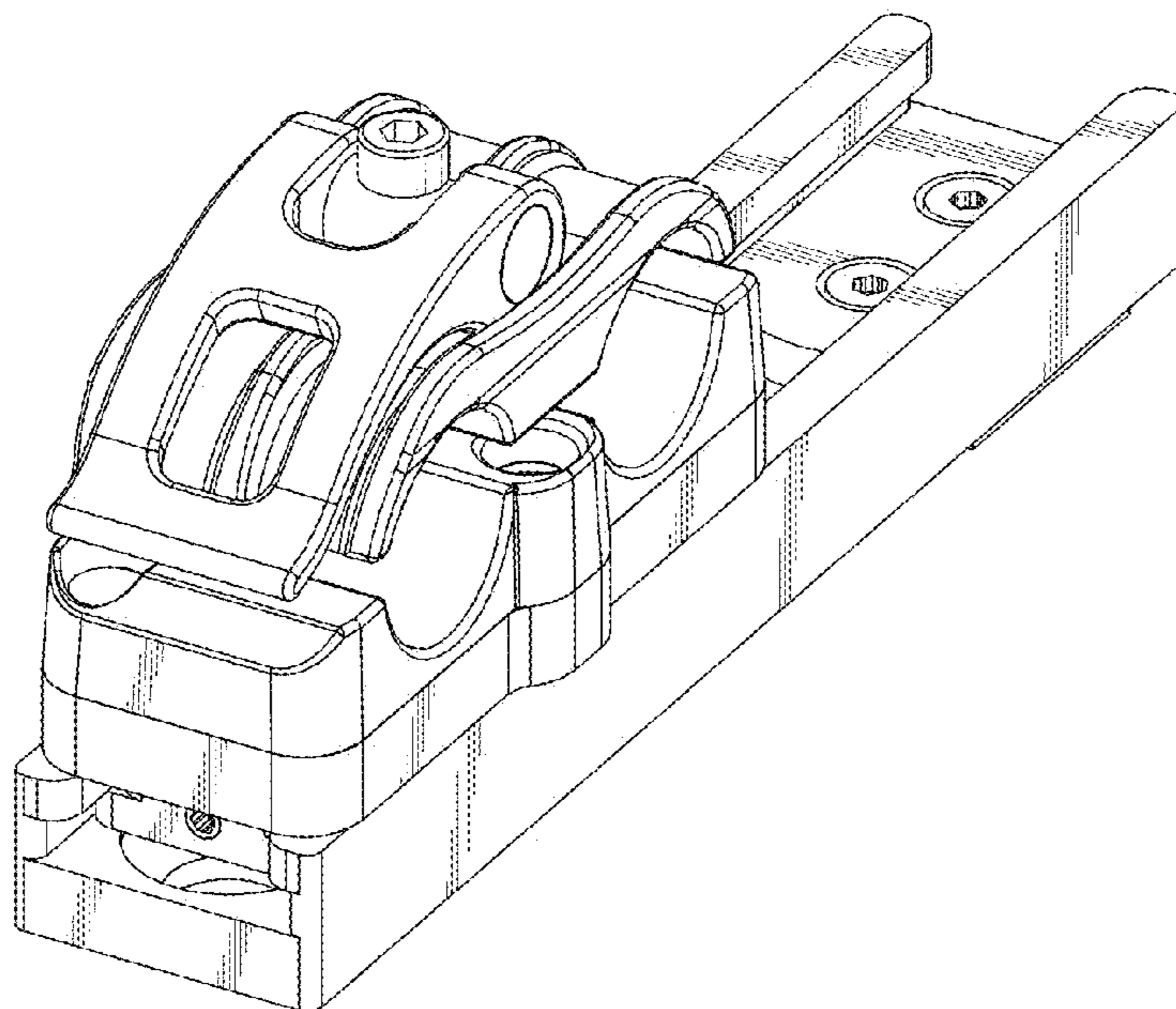


FIG. 26

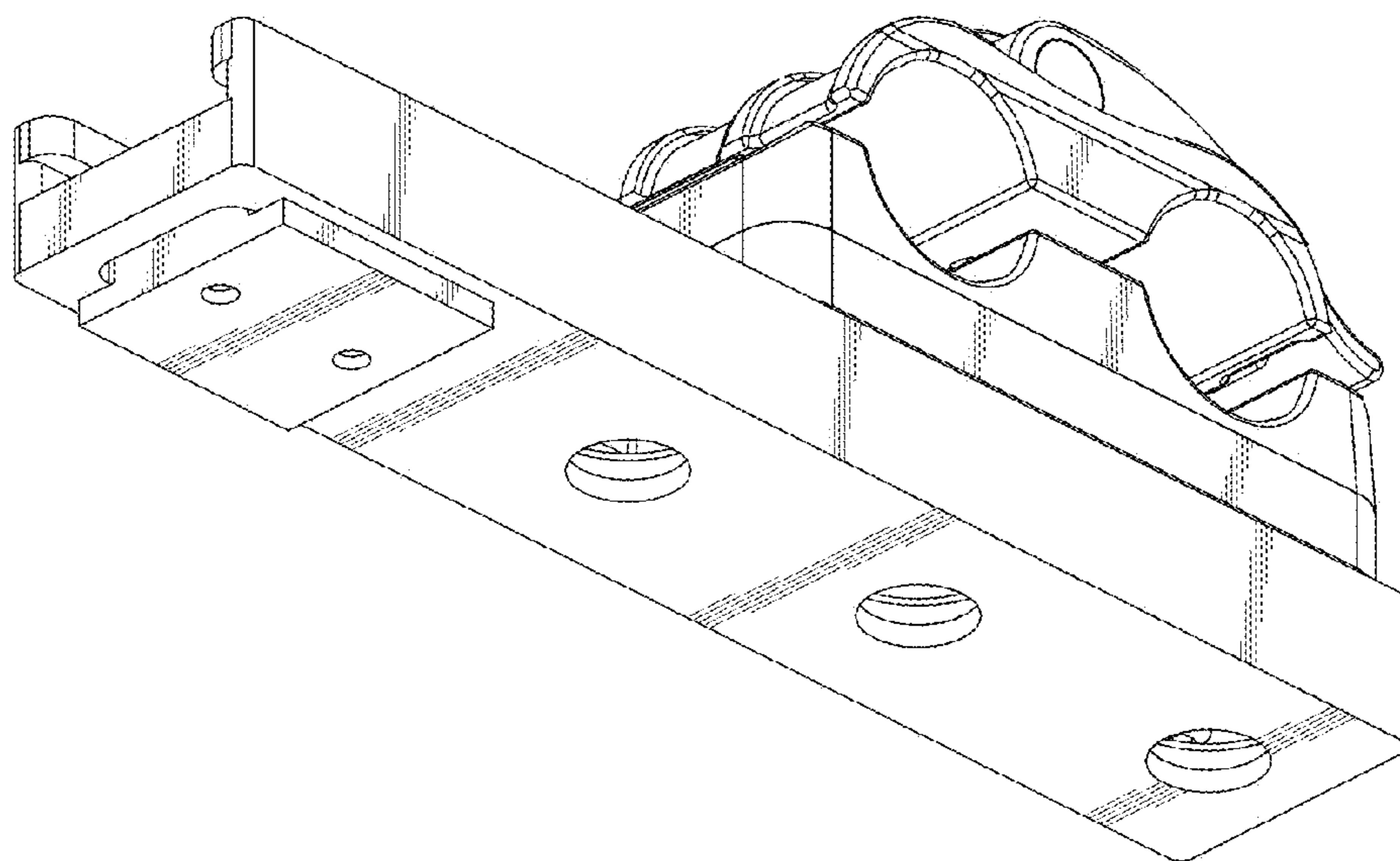
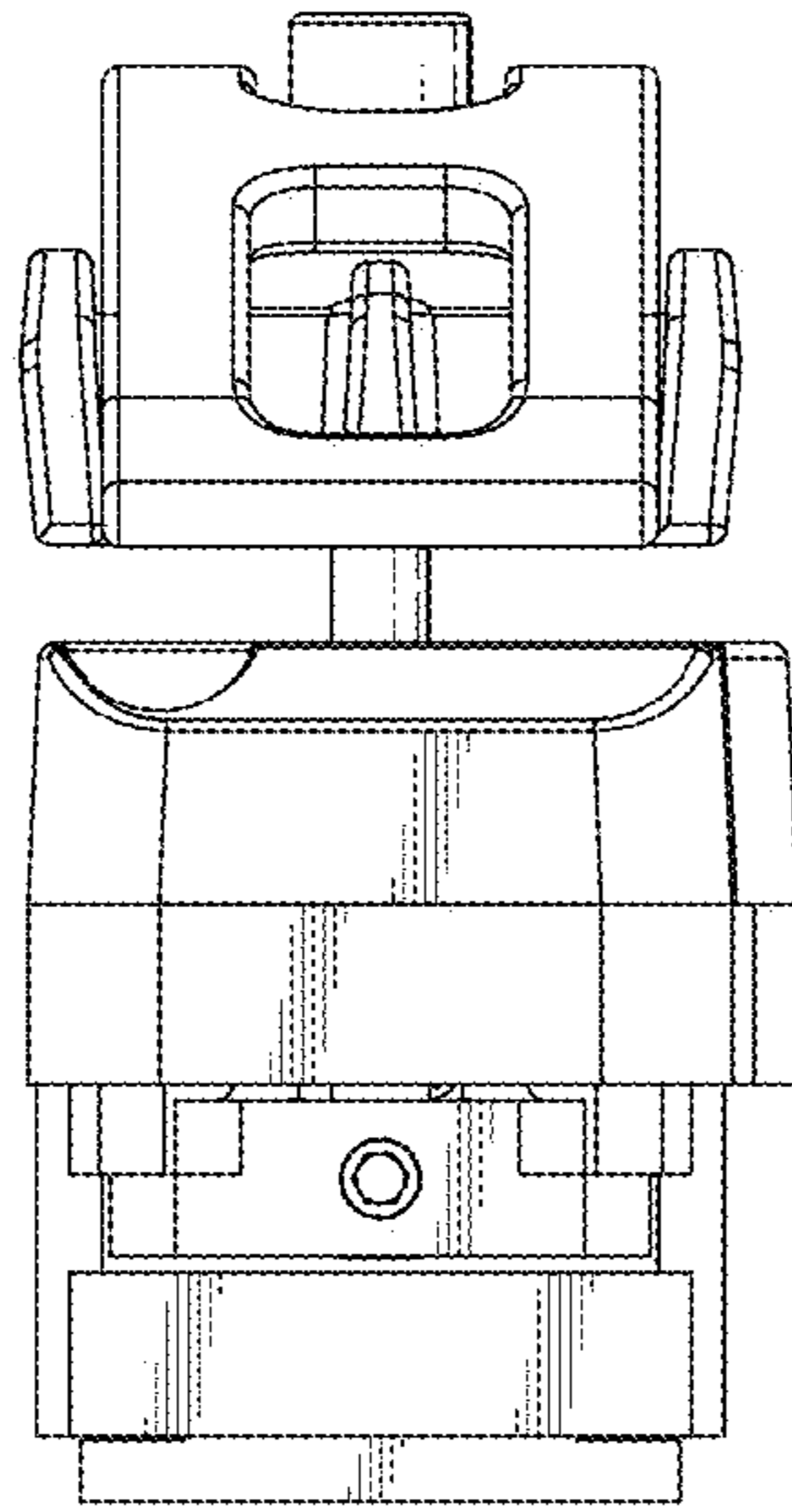
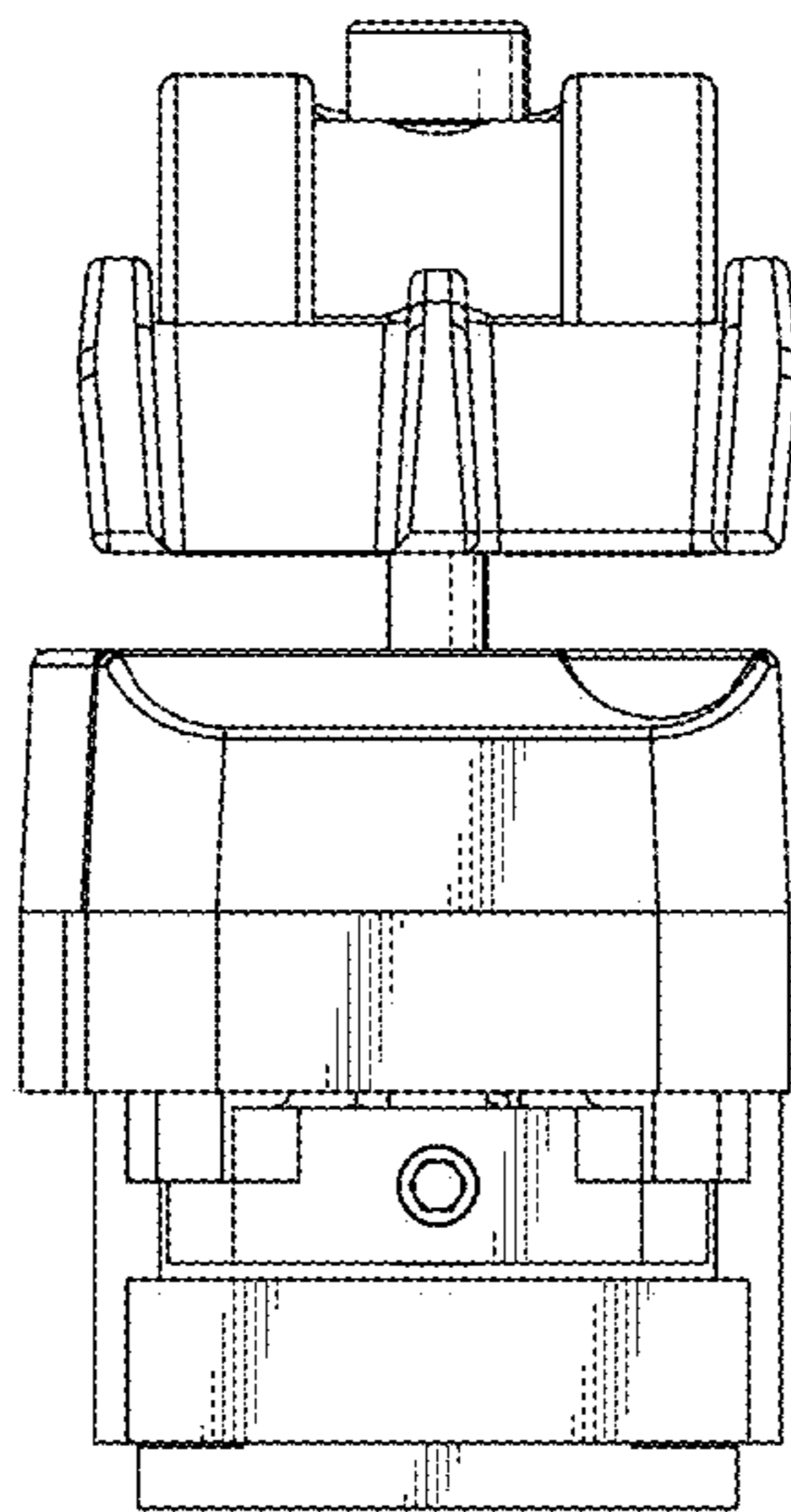


FIG. 27





*FIG. 28*



*FIG. 29*

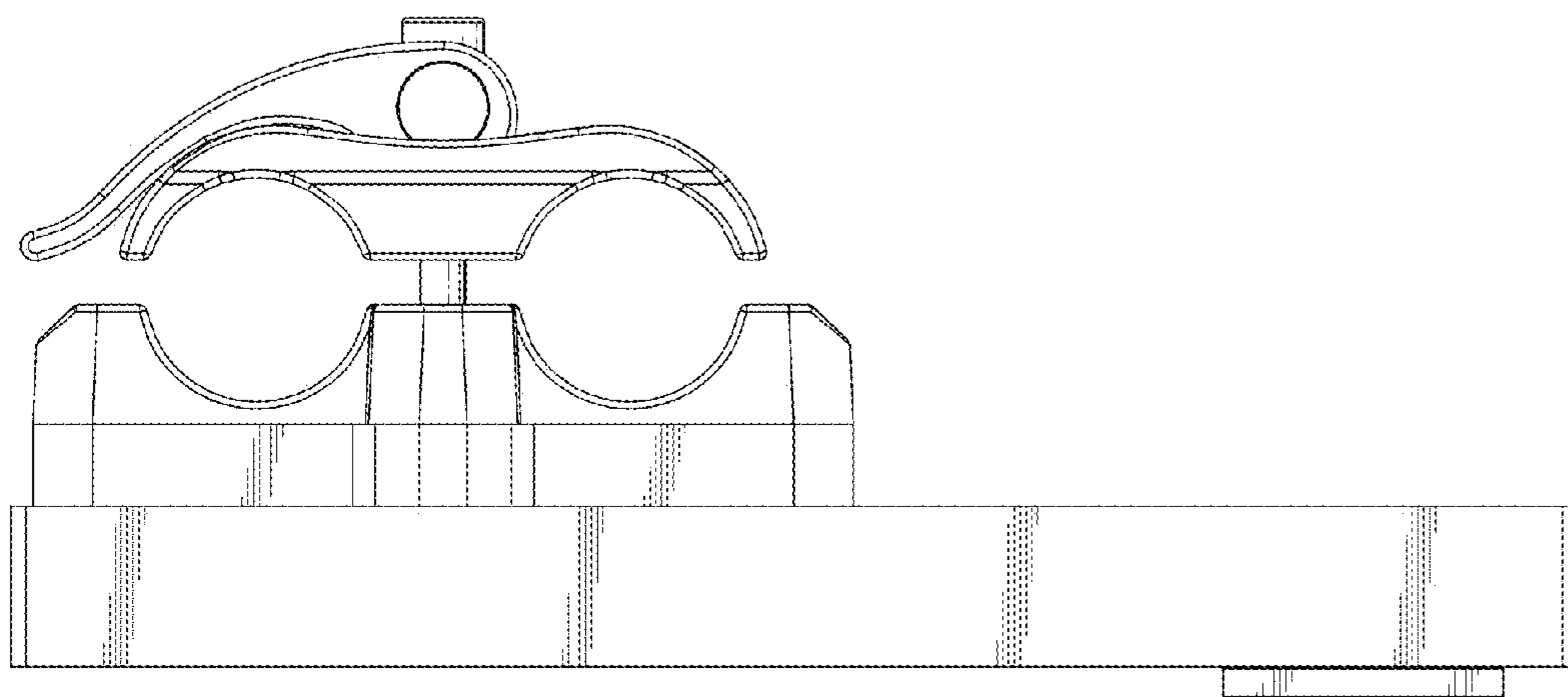


FIG. 30

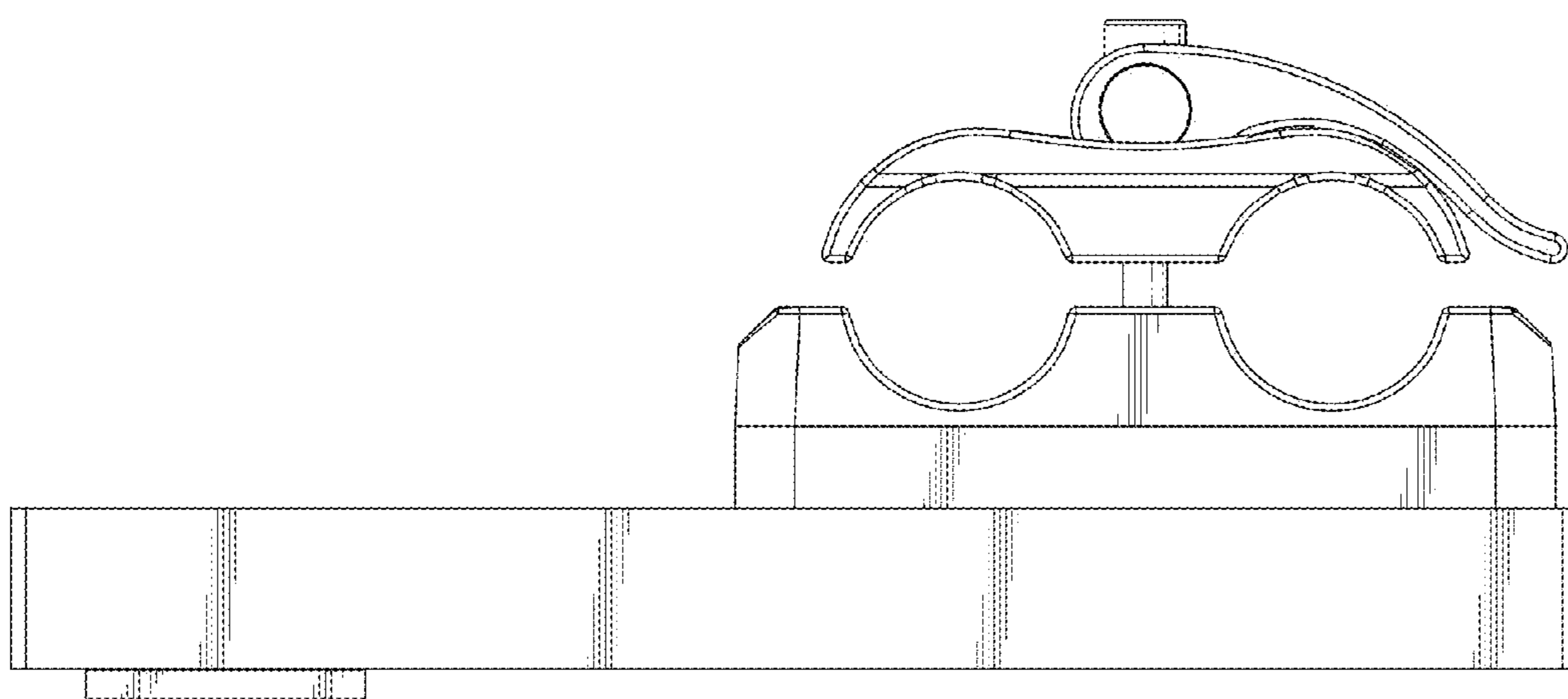


FIG. 31

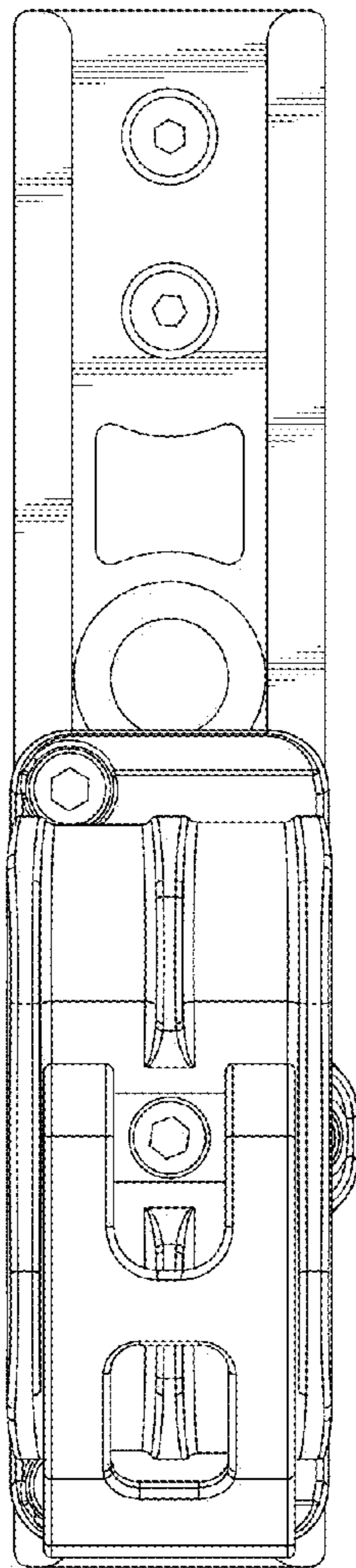


FIG. 32

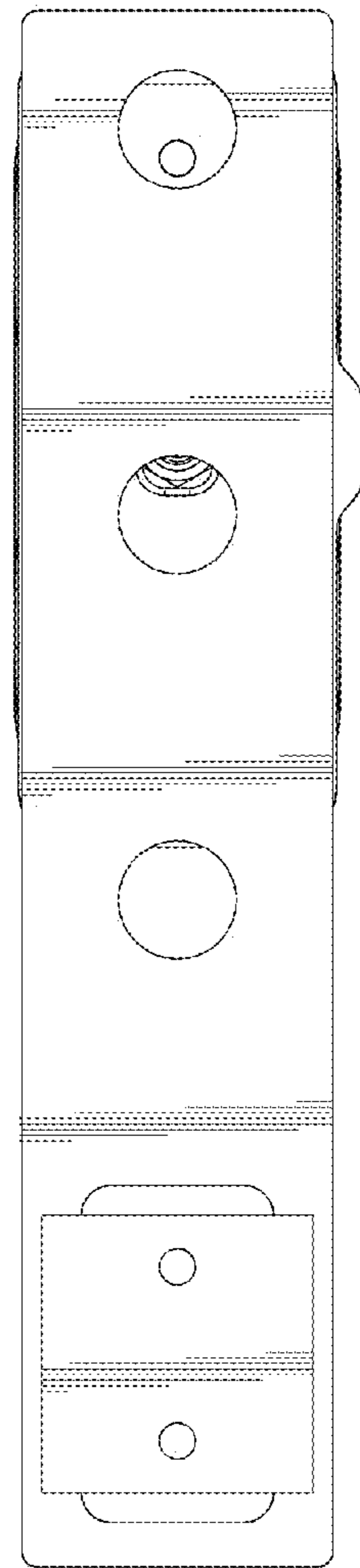


FIG. 33



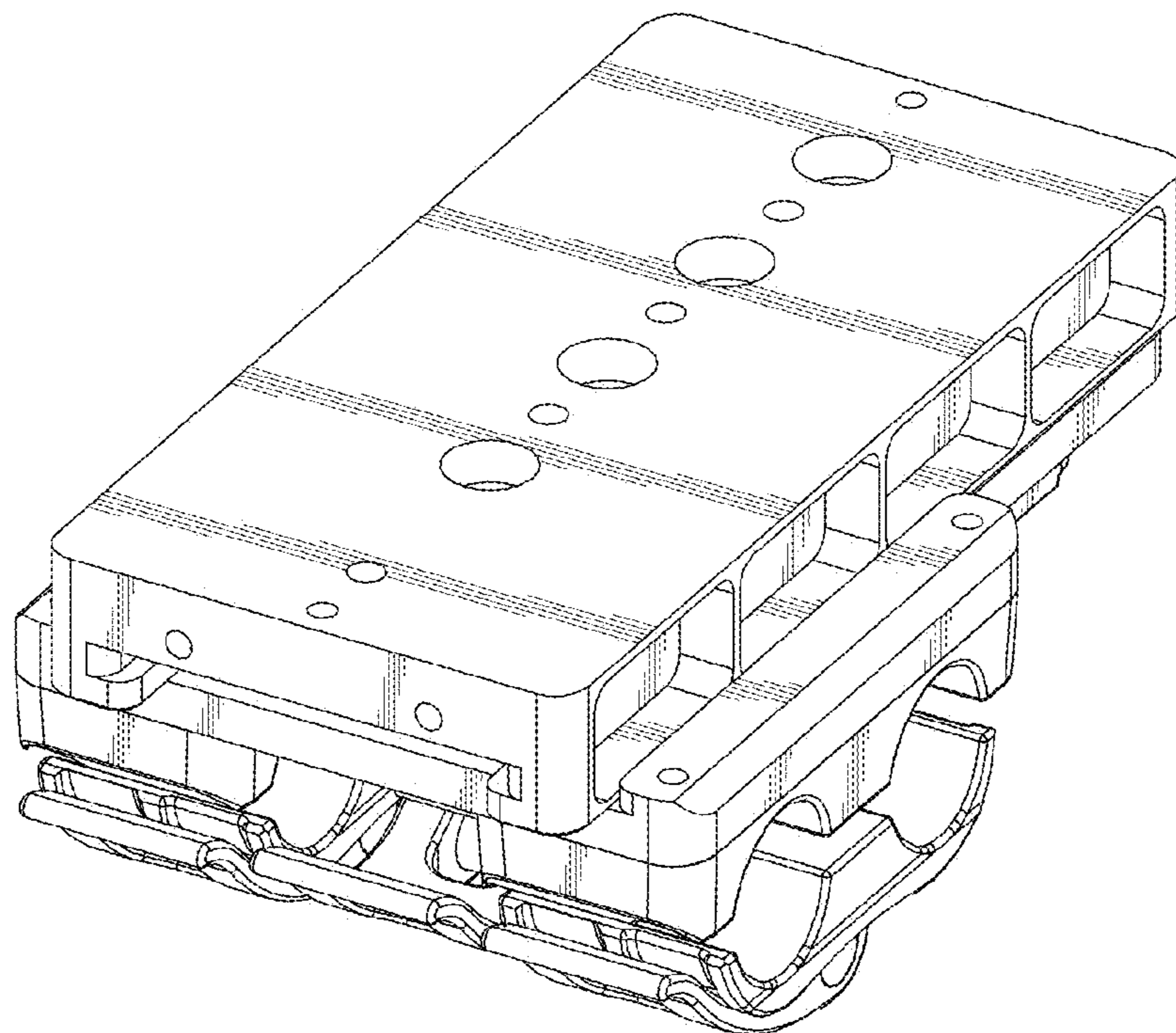


FIG. 34

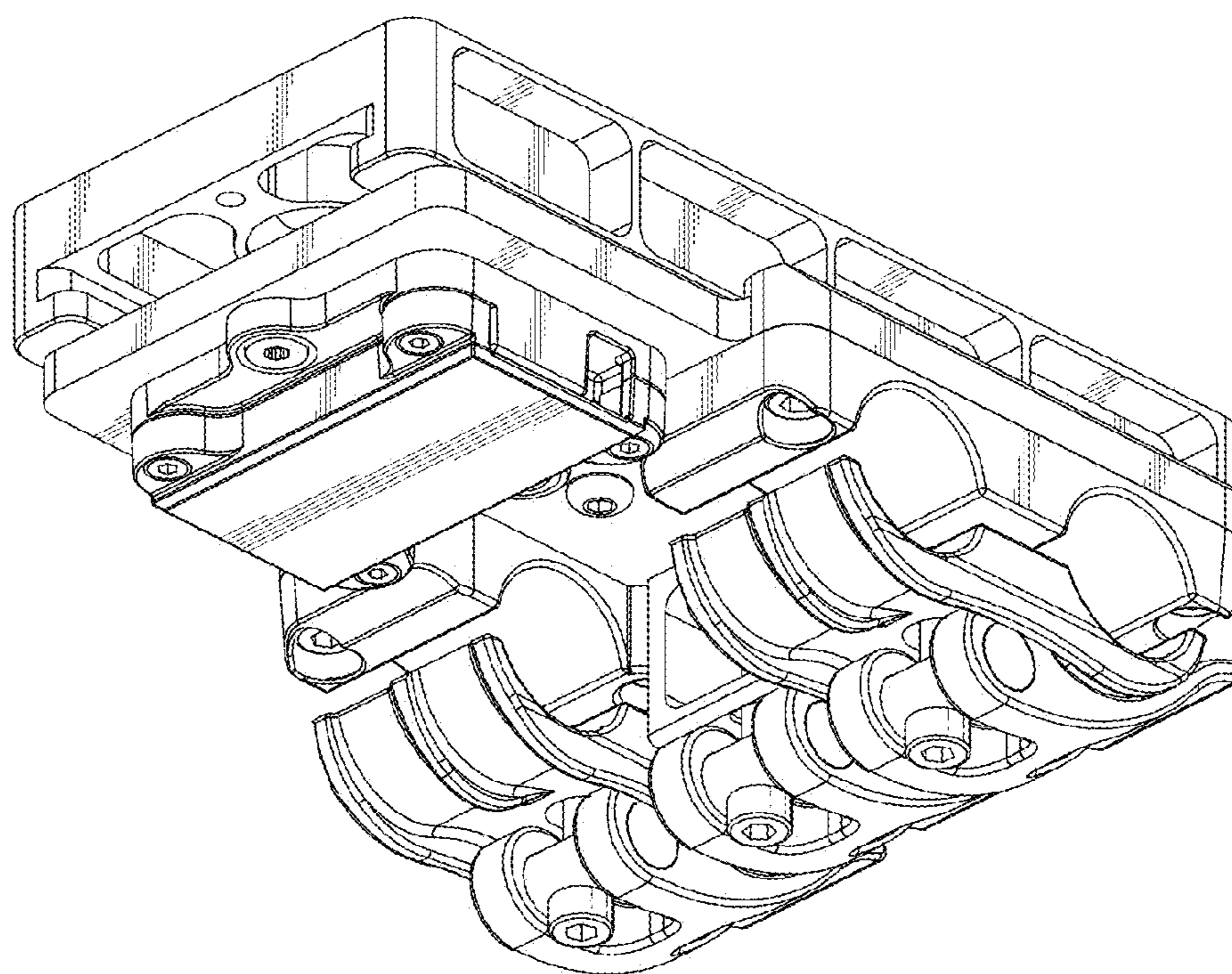
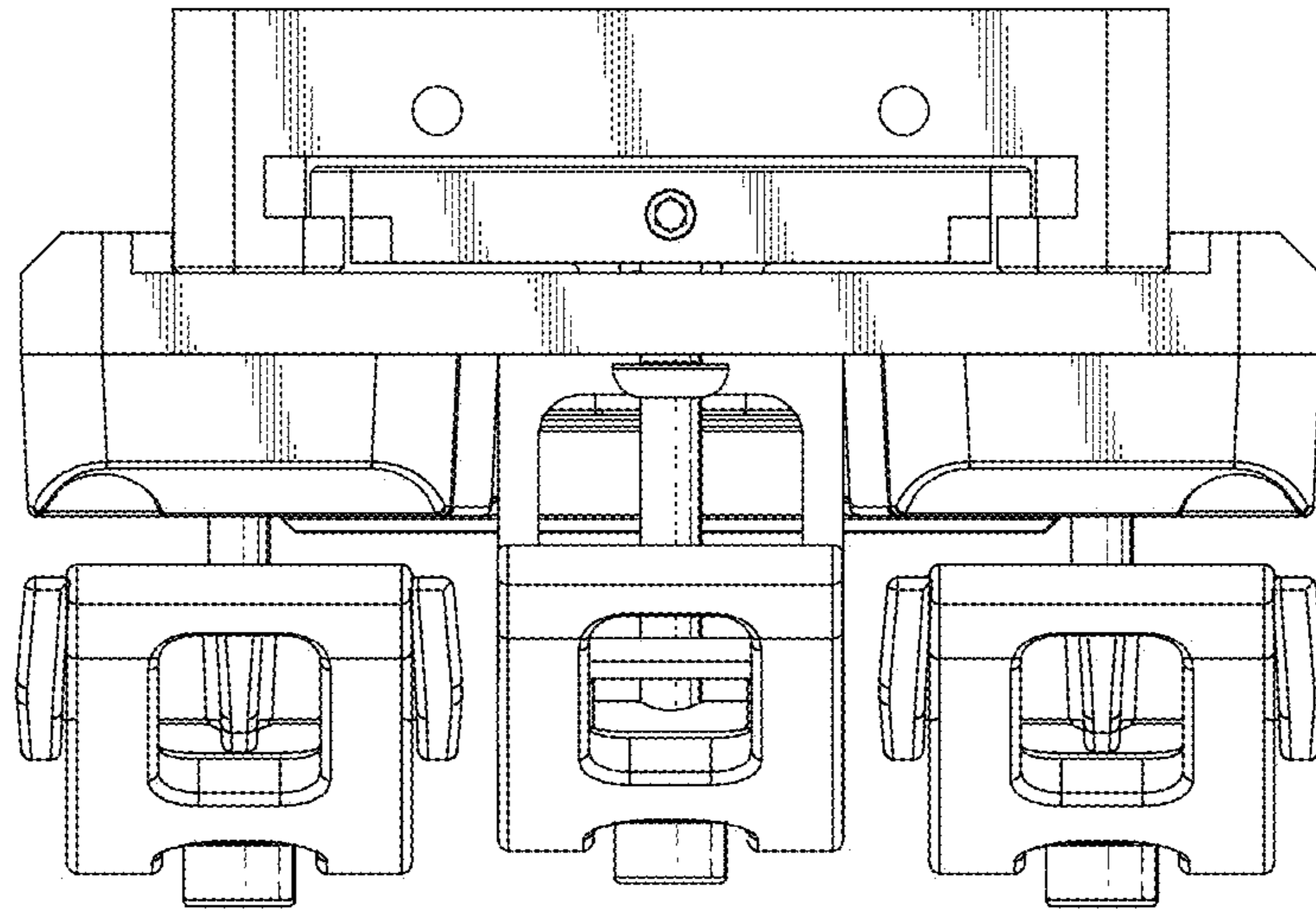
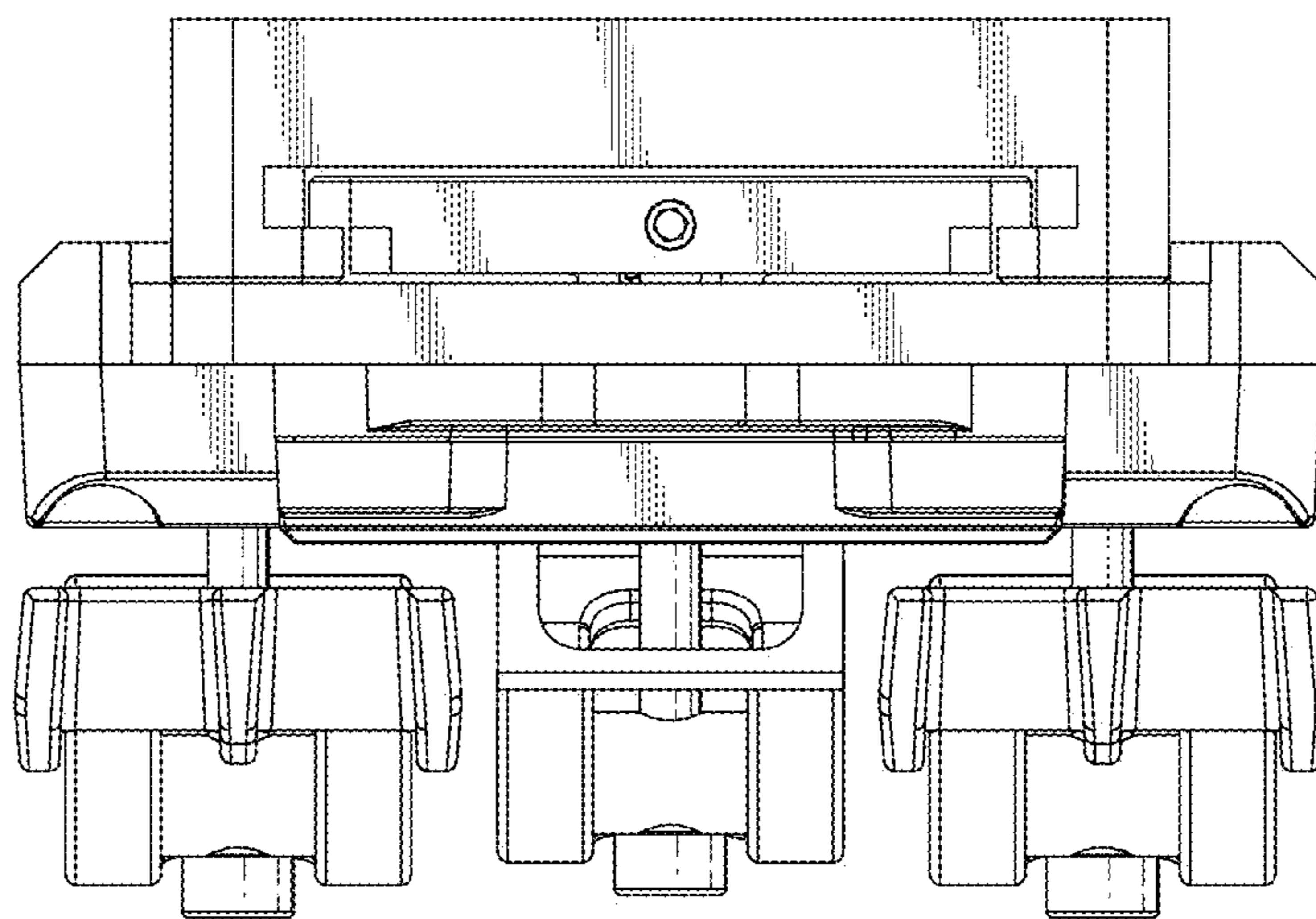


FIG. 35



*FIG. 36*



*FIG. 37*

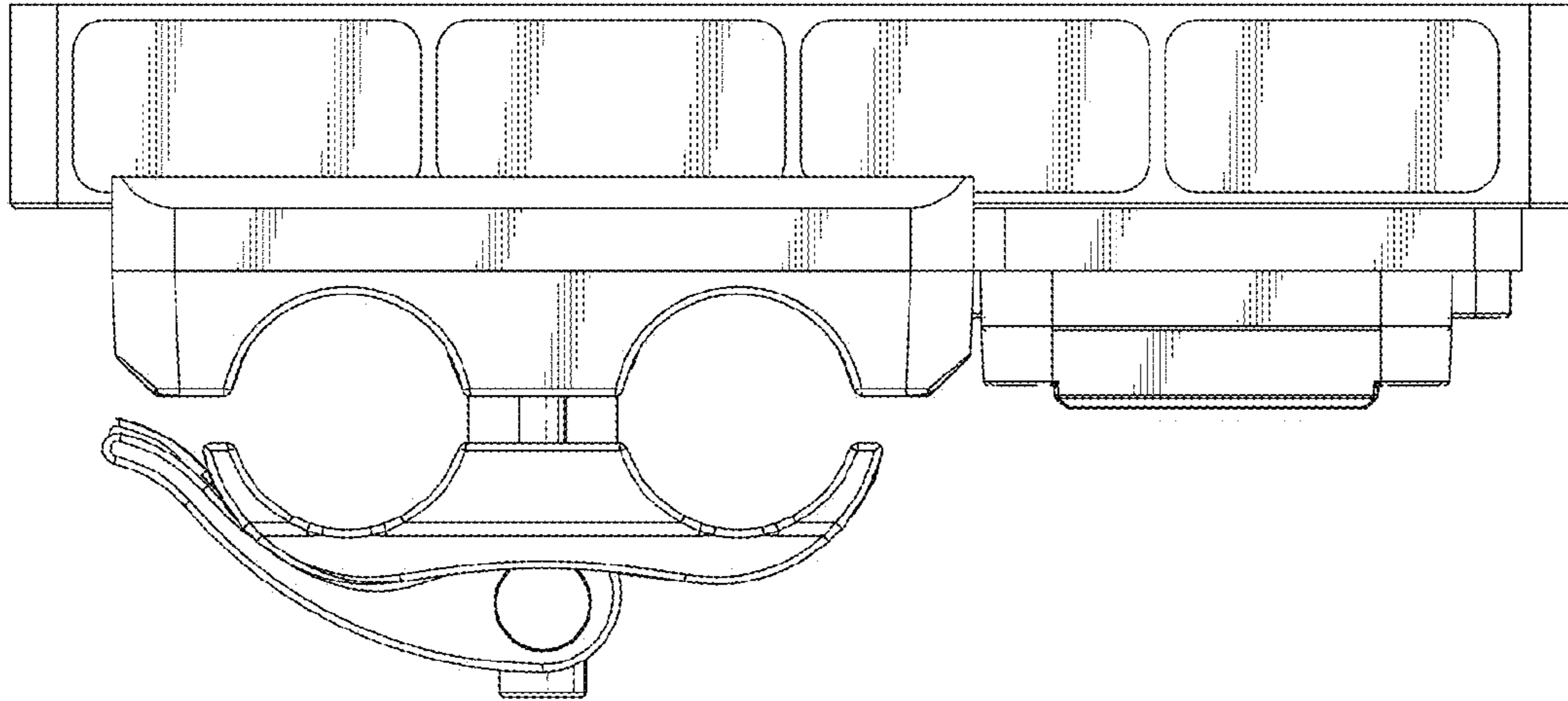


FIG. 38

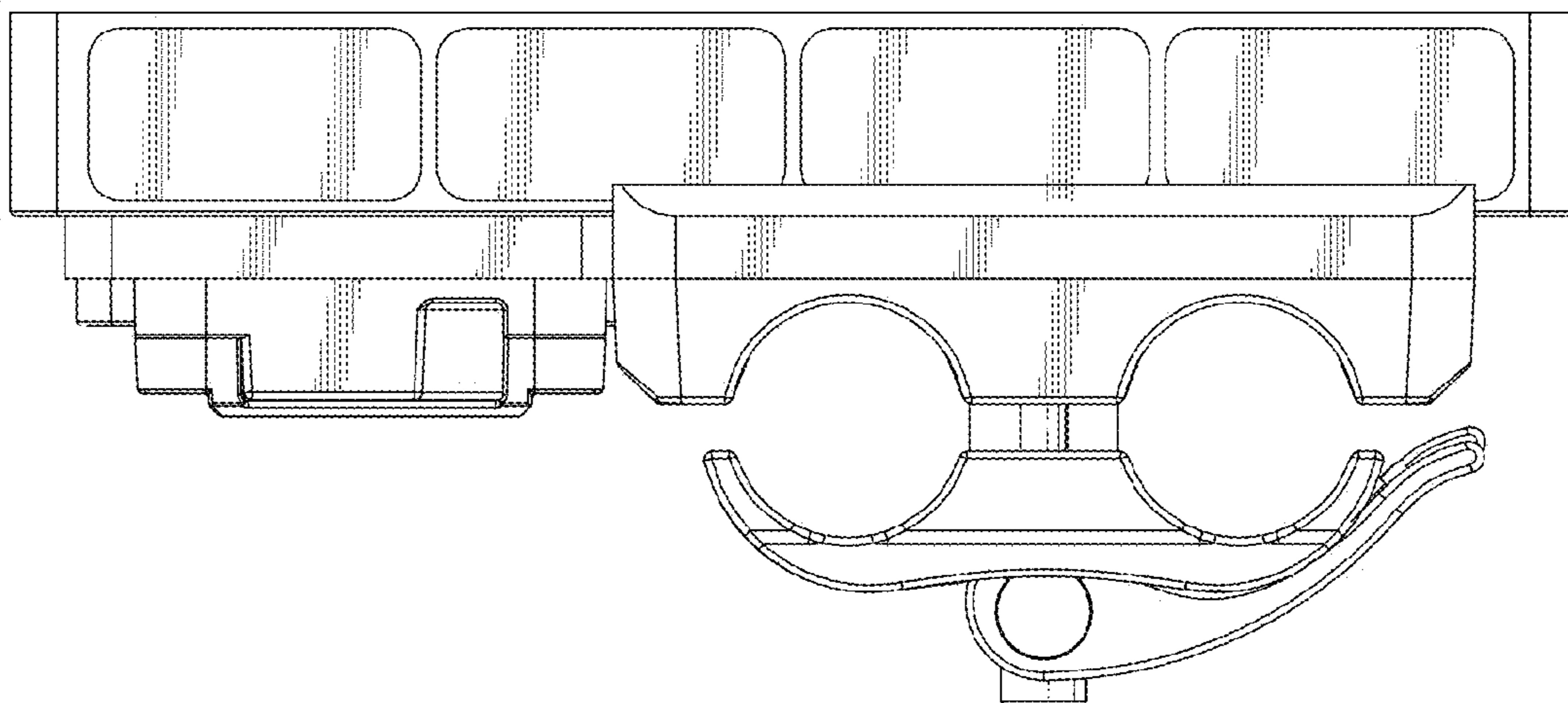


FIG. 39



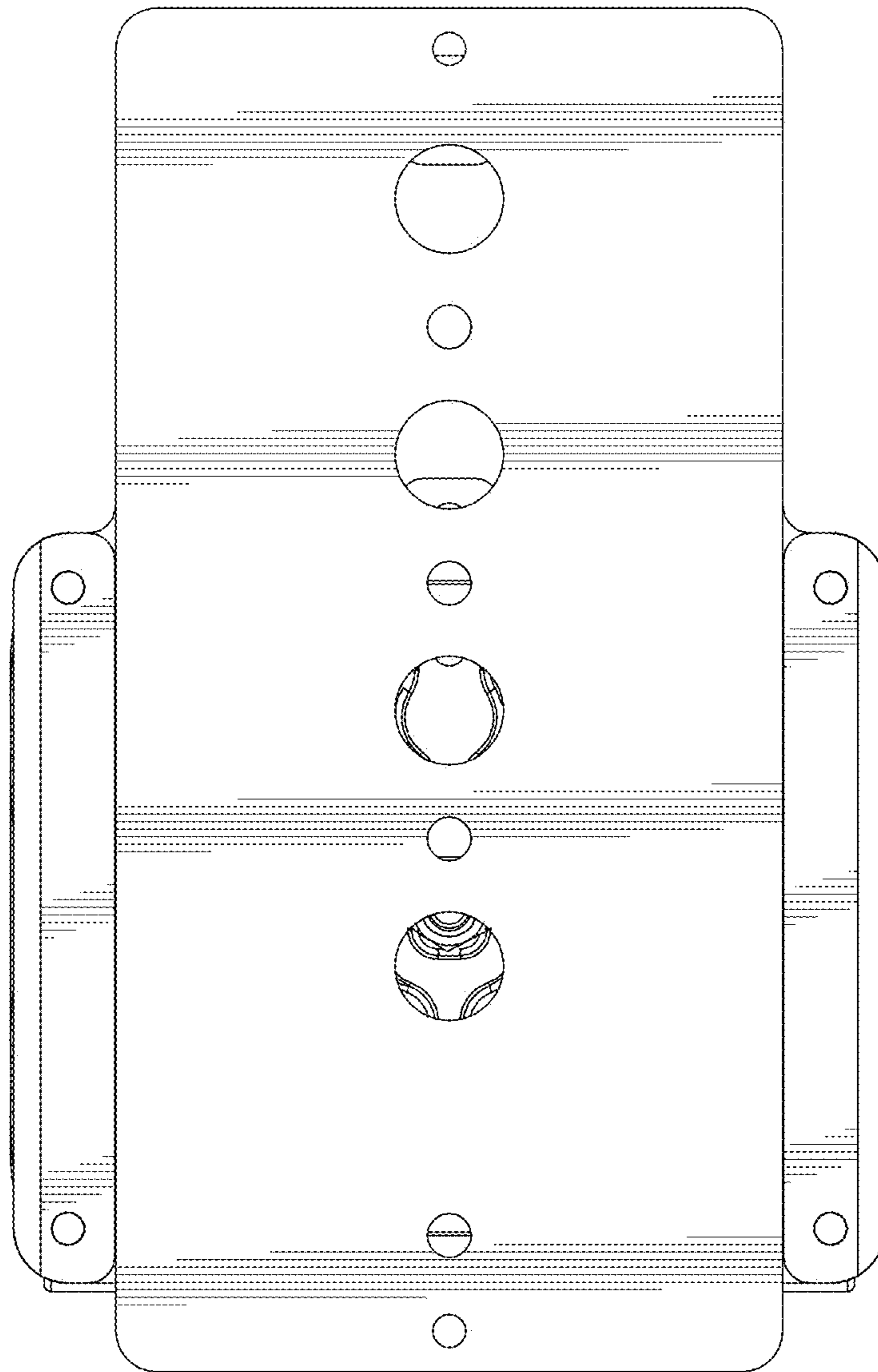


FIG. 40

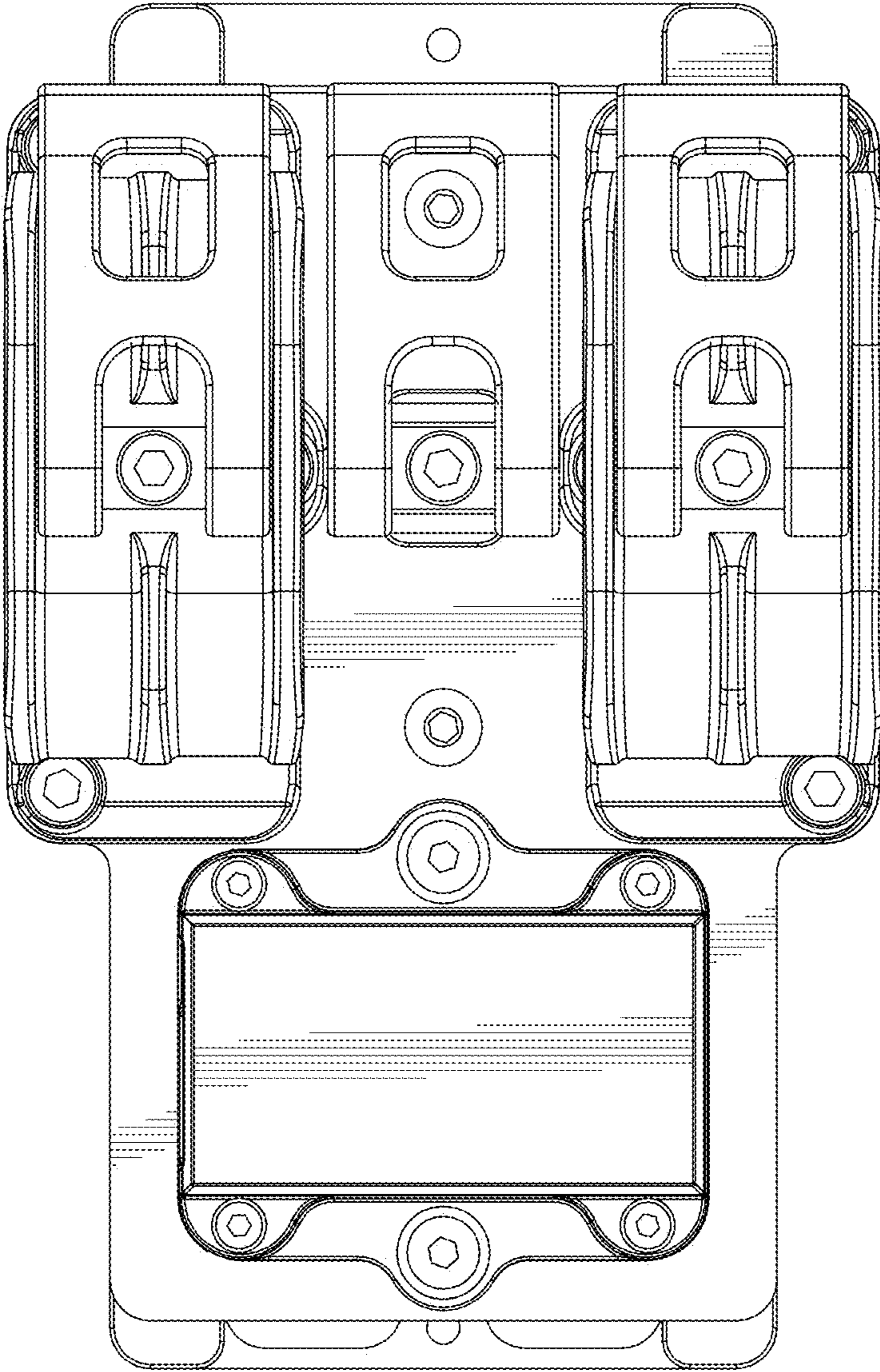


FIG. 41