



US00D732102S

(12) **United States Design Patent**
Hasuda

(10) **Patent No.:** **US D732,102 S**
(45) **Date of Patent:** **** Jun. 16, 2015**

(54) **INTERMEDIATE ADAPTER FOR A CAMERA**

G02B 7/14

See application file for complete search history.

(71) Applicant: **Nikon Corporation**, Tokyo (JP)

(72) Inventor: **Masanori Hasuda**, Fujisawa (JP)

(73) Assignee: **Nikon Corporation**, Tokyo (JP)

(**) Term: **14 Years**

(21) Appl. No.: **29/484,614**

(22) Filed: **Mar. 11, 2014**

Related U.S. Application Data

(62) Division of application No. 29/451,771, filed on Apr. 8, 2013, now Pat. No. Des. 706,853, which is a division of application No. 29/412,567, filed on Feb. 6, 2012, now Pat. No. Des. 698,843.

Foreign Application Priority Data

Aug. 10, 2011	(JP)	2011-018386
Sep. 15, 2011	(JP)	2011-021121
Sep. 15, 2011	(JP)	2011-021122
Sep. 15, 2011	(JP)	2011-021123
Sep. 15, 2011	(JP)	2011-021124
Sep. 15, 2011	(JP)	2011-021125
Sep. 15, 2011	(JP)	2011-021126
Sep. 15, 2011	(JP)	2011-021127

(51) **LOC (10) Cl.** **16-05**

(52) **U.S. Cl.**
USPC **D16/219**

(58) **Field of Classification Search**
USPC D16/134, 136, 200, 202-205, 218, 219;
348/373-376; 359/826-828; 396/25,
396/505, 529-532, 535, 539-541
CPC G03B 17/02; G03B 19/04; G03B 17/56;
G03B 17/04; G03B 15/03; G03B 17/14;
H04N 5/2251; H04N 5/2252; H04N 5/2253;
H04N 5/2254; G02B 7/02; G02B 7/04;

(56) **References Cited**

U.S. PATENT DOCUMENTS

D235,578	S	*	6/1975	Miyake et al.	D16/136
4,063,264	A		12/1977	Ando et al.		
D248,766	S	*	8/1978	Arai	D16/134
4,118,713	A		10/1978	Murakami et al.		
D251,669	S		4/1979	Ueda et al.		
5,262,899	A		11/1993	Iizuka		
5,481,406	A		1/1996	Yamazaki et al.		
5,570,153	A		10/1996	Shono		
D375,969	S		11/1996	Watanabe		
D390,857	S		2/1998	Hayamizu		
D420,029	S		2/2000	Kimura et al.		
D425,088	S		5/2000	Watanabe		
D433,044	S		10/2000	Nagaoka et al.		
D441,382	S		5/2001	Konno et al.		

(Continued)

Primary Examiner — Adir Aronovich

Assistant Examiner — Ramzi Almatrahi

(74) *Attorney, Agent, or Firm* — Wolf, Greenfield & Sacks, P.C.; Randy J. Pritzker

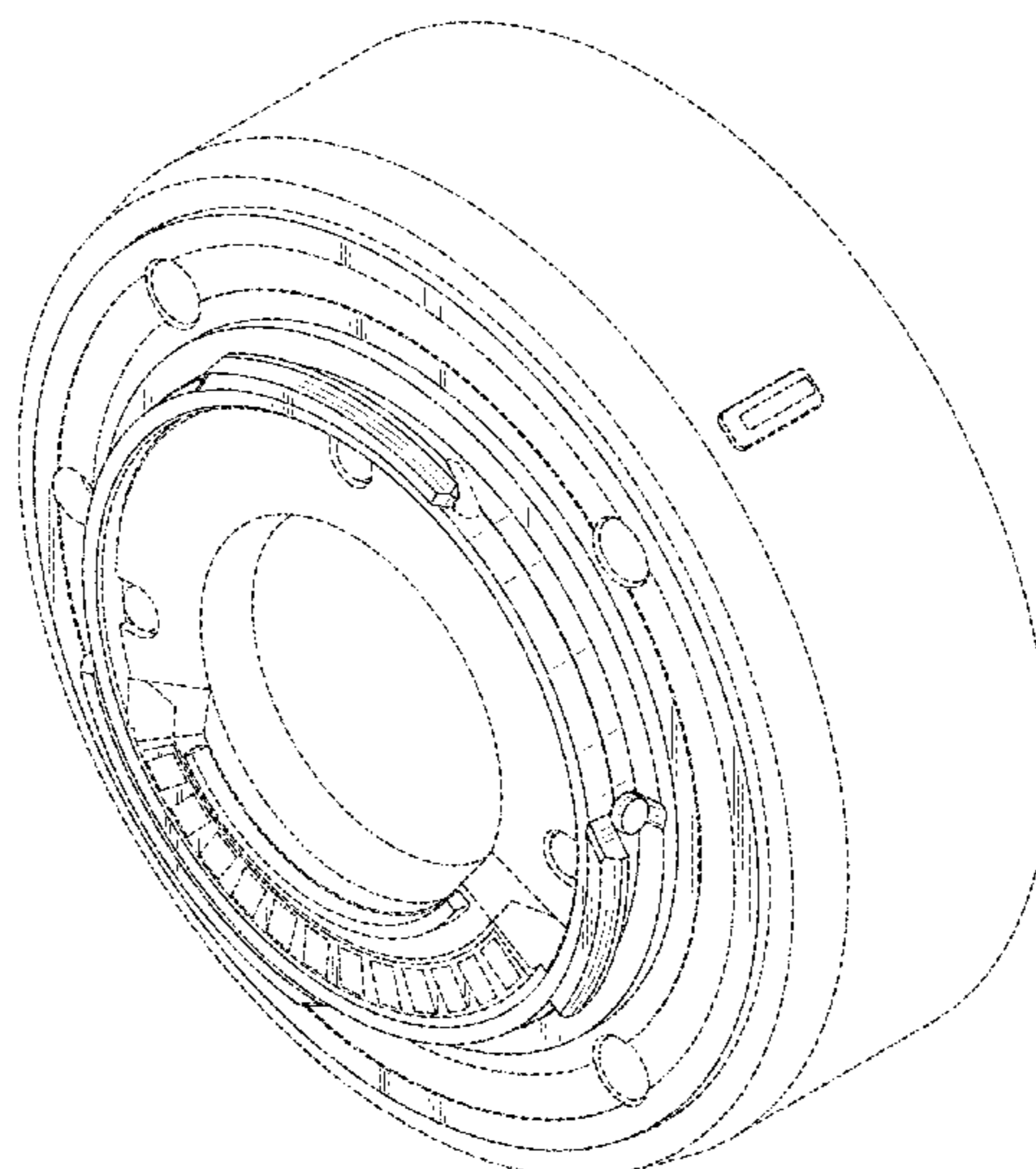
(57) **CLAIM**

The ornamental design for an intermediate adapter for camera, as shown and described.

DESCRIPTION

FIG. 1 is a perspective view of an intermediate adapter for a camera showing my new design; FIG. 2 is a rear elevational view thereof; FIG. 3 is a top plan view thereof; FIG. 4 is a bottom plan view thereof; FIG. 5 is a right side elevational view thereof; and, FIG. 6 is a left side elevational view thereof. The features shown in broken lines in the drawings depict environmental subject matter only and form no part of the claimed design.

1 Claim, 6 Drawing Sheets



(56)

References Cited

U.S. PATENT DOCUMENTS

6,369,960 B2	4/2002	Azegami	7,848,634 B2	12/2010	Kranz et al.
6,554,503 B2	4/2003	Imanari et al.	7,853,137 B2	12/2010	Yang
D482,377 S	11/2003	Tajima	7,961,411 B2	6/2011	Lee
6,738,570 B2 *	5/2004	Shinohara et al. 396/25	7,988,372 B2	8/2011	Lee et al.
D523,057 S	6/2006	Watanabe	8,002,483 B2	8/2011	Fujiwara et al.
D537,096 S	2/2007	Tokiwa et al.	8,027,576 B2	9/2011	Lai
D537,461 S	2/2007	Tokiwa et al.	D665,837 S	8/2012	Tainaka
D539,320 S	3/2007	Tokiwa et al.	D670,751 S	11/2012	Koyama et al.
D540,363 S	4/2007	Tokiwa et al.	D671,586 S	11/2012	Asano et al.
D549,263 S	8/2007	Tokiwa et al.	D682,911 S *	5/2013	Ohashi D16/219
D549,264 S	8/2007	Tokiwa	D688,292 S *	8/2013	Koyama et al. D16/219
D550,745 S *	9/2007	Watanabe D16/219	D692,475 S	10/2013	Hasuda
D552,147 S	10/2007	Tajima	D696,709 S *	12/2013	Sato D16/219
D559,884 S	1/2008	Tokiwa	D718,361 S	11/2014	Noh
7,593,169 B2	9/2009	Ouchi	D721,117 S	1/2015	Hasuda
7,625,144 B2	12/2009	Kranz et al.	2010/0226023 A1	9/2010	Lee
7,798,137 B2	9/2010	Ewing	2011/0013902 A1 *	1/2011	Kim 396/530
7,798,731 B2	9/2010	Kurosawa	2011/0274424 A1	11/2011	Fujiwara et al.
			2012/0039595 A1	2/2012	Youn
			2013/0265664 A1 *	10/2013	Iinuma et al. 359/828

* cited by examiner

FIG. 1

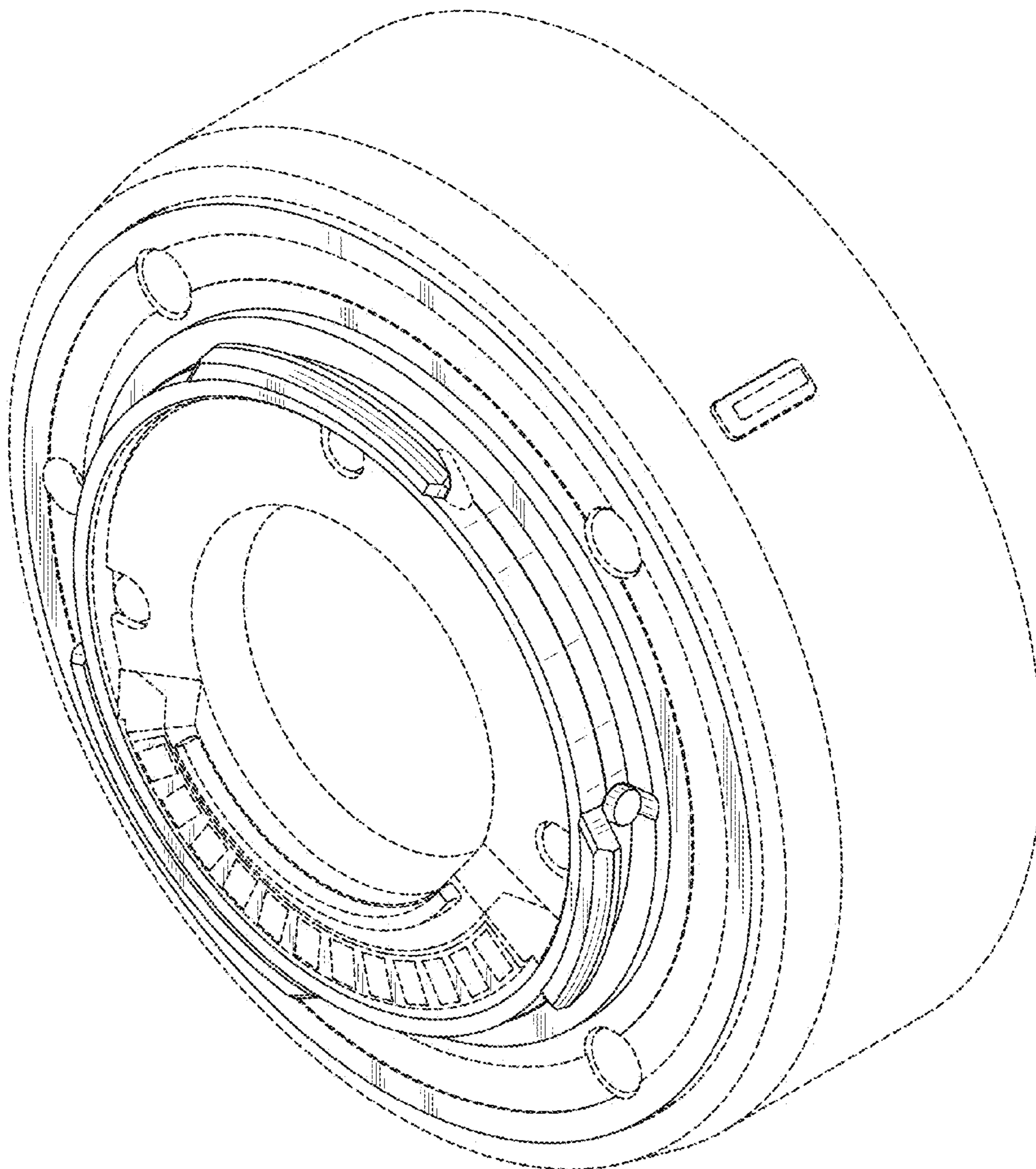


FIG. 2

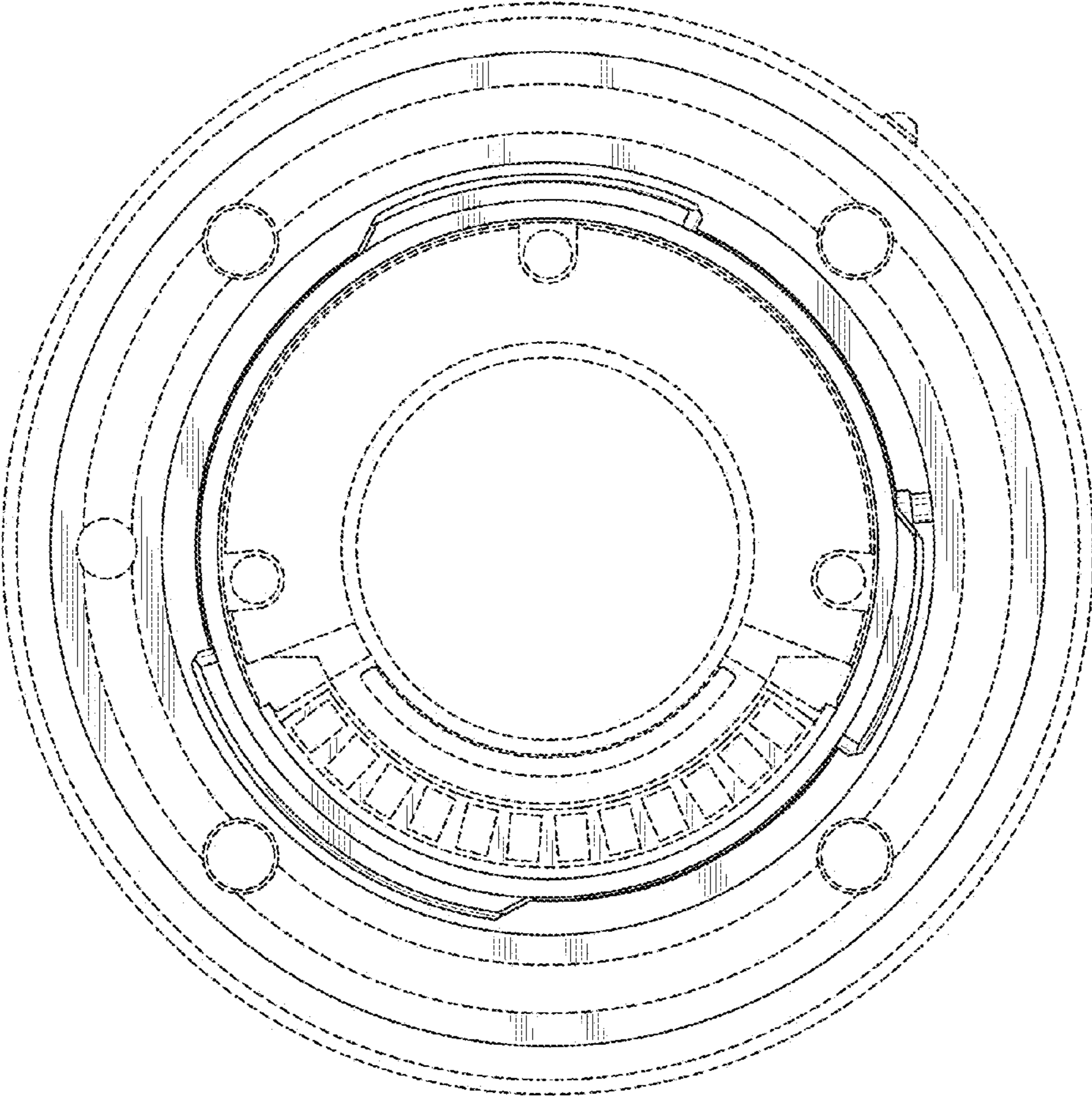


FIG. 3

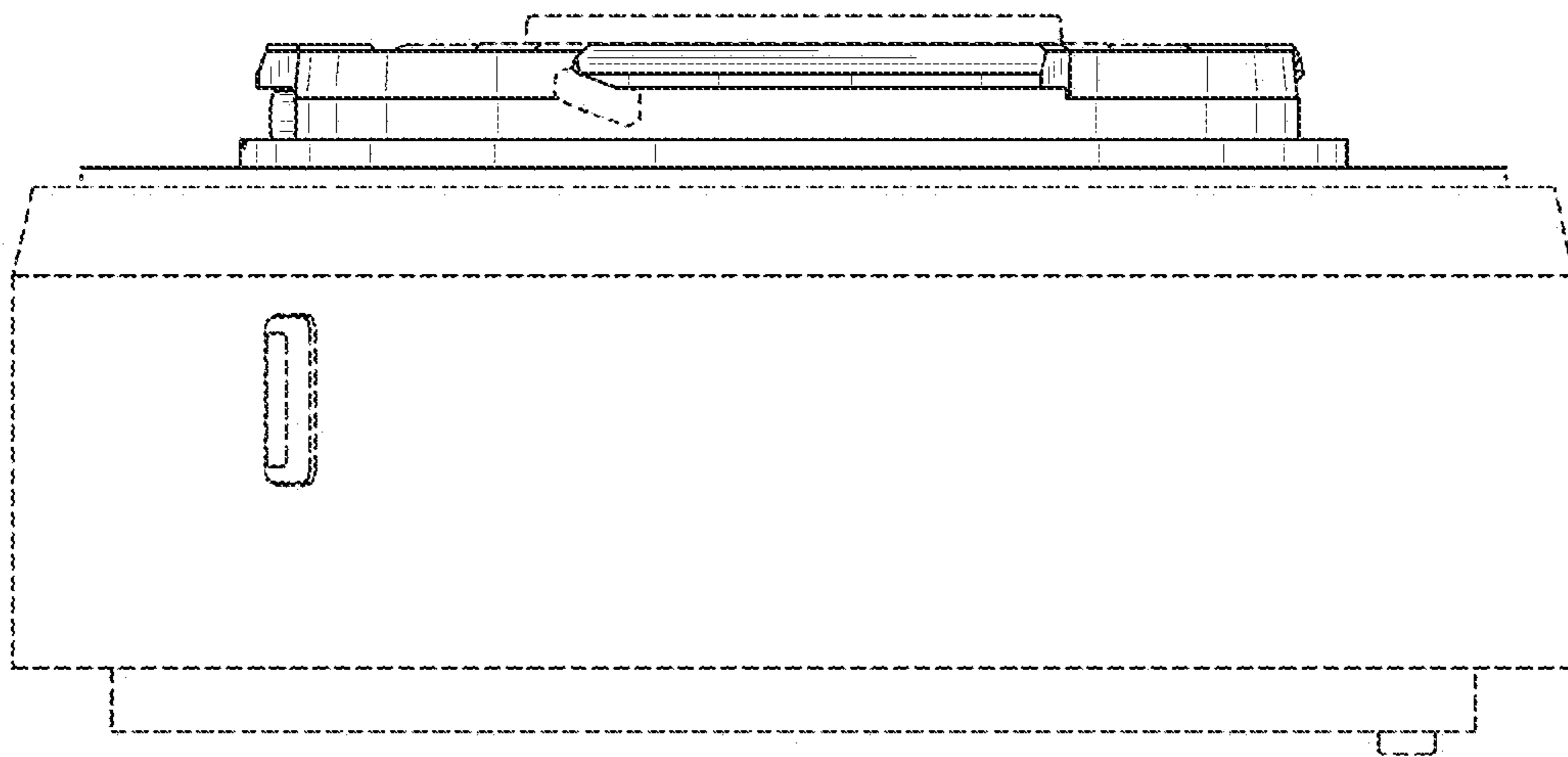


FIG. 4

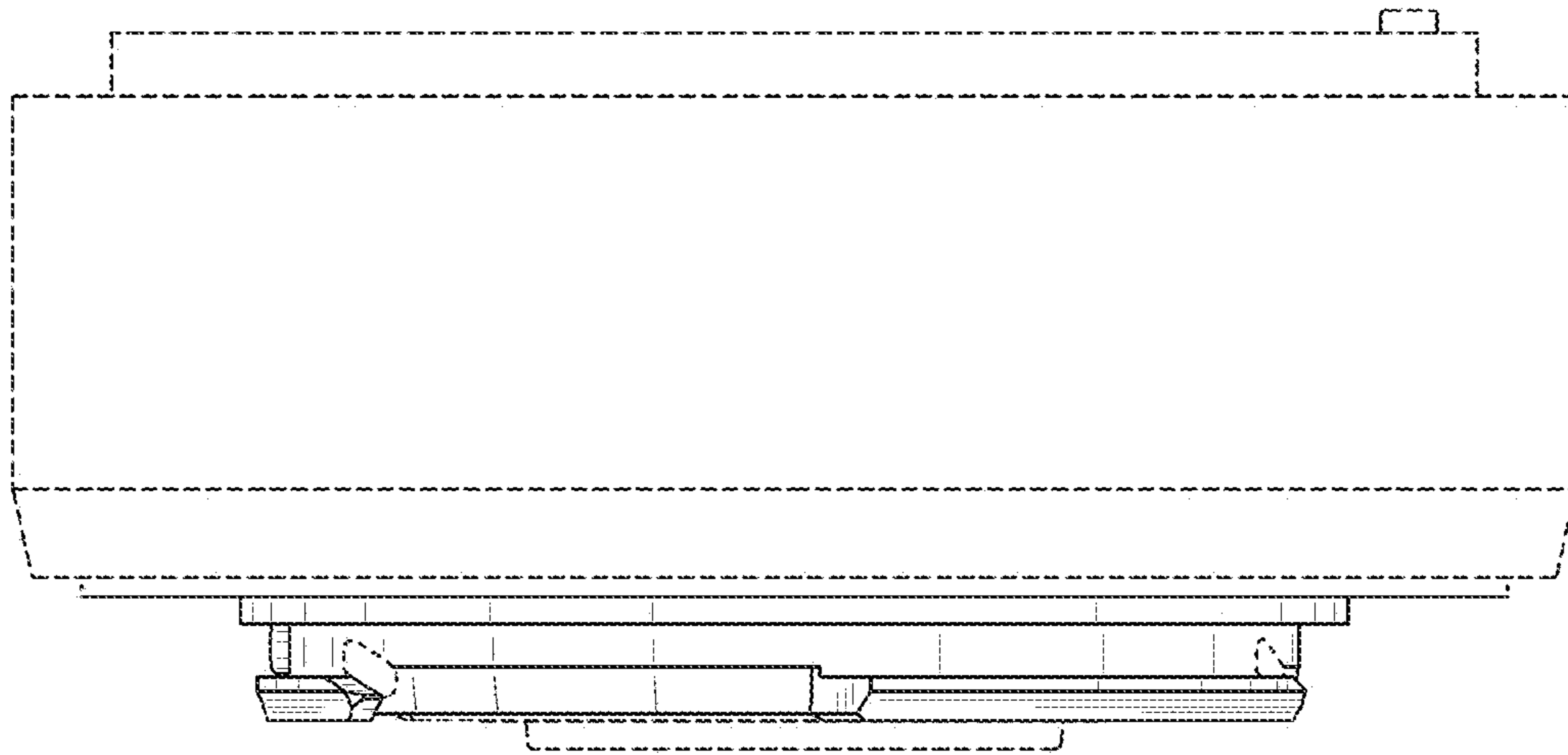


FIG. 5

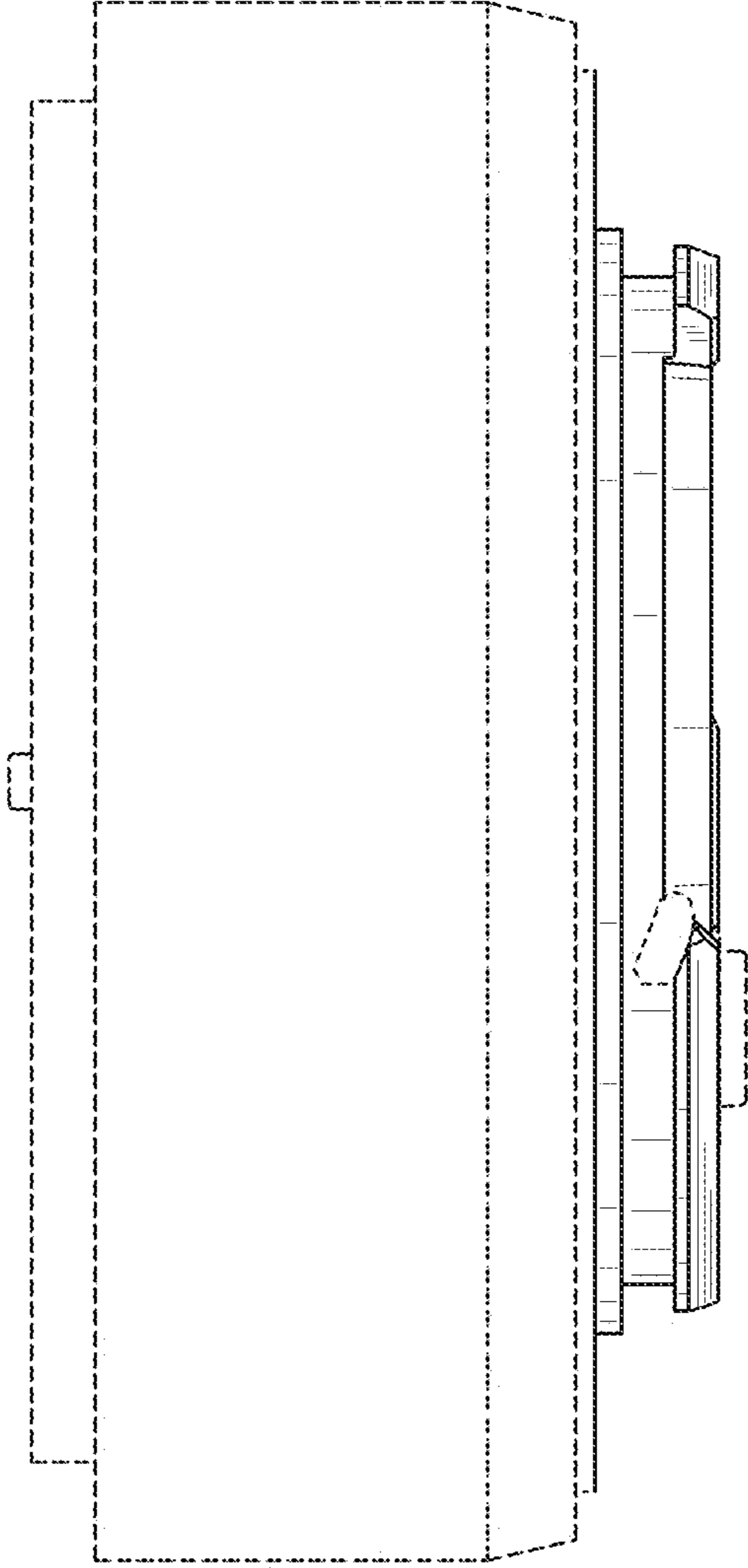


FIG. 6

