



US00D732099S

(12) **United States Design Patent**
Nagaoka et al.

(10) **Patent No.:** **US D732,099 S**

(45) **Date of Patent:** **** Jun. 16, 2015**

(54) **DIGITAL CAMERA**

(71) Applicant: **Nikon Corporation**, Tokyo (JP)

(72) Inventors: **Yasuki Nagaoka**, Saitama (JP); **Akira Nojima**, Tokyo (JP)

(73) Assignee: **Nikon Corporation**, Tokyo (JP)

(**) Term: **14 Years**

(21) Appl. No.: **29/487,411**

(22) Filed: **Apr. 8, 2014**

(30) **Foreign Application Priority Data**

Oct. 9, 2013 (JP) 2013-023651

(51) **LOC (10) Cl.** **16-01**

(52) **U.S. Cl.**
USPC **D16/202; D16/217**

(58) **Field of Classification Search**
USPC D16/200, 202, 204, 206, 217, 218;
348/373, 374, 376; 396/176, 177,
396/535-541
See application file for complete search history.

(56) **References Cited**

U.S. PATENT DOCUMENTS

5,708,896 A * 1/1998 Machida 396/535
D413,346 S * 8/1999 Haga D16/217
6,427,051 B1 * 7/2002 Hosokawa et al. 396/177

D559,291 S * 1/2008 Hayashi D16/202
D564,560 S * 3/2008 Funakoshi D16/217
D564,561 S * 3/2008 Takahashi D16/200
D607,481 S * 1/2010 Takahashi D16/217
D609,730 S * 2/2010 Nakamura D16/202
8,326,138 B2 * 12/2012 Yoshii et al. 396/177
D681,090 S * 4/2013 Tainaka D16/200
D720,787 S * 1/2015 Tainaka D16/202

* cited by examiner

Primary Examiner — Adir Aronovich

(74) *Attorney, Agent, or Firm* — Wolf, Greenfield & Sacks, P.C.; Randy J. Pritzker

(57) **CLAIM**

The ornamental design for a digital camera, as shown and described.

DESCRIPTION

FIG. 1 is a front, top and right side perspective view of a digital camera showing our new design;
FIG. 2 is a rear, top and left side perspective view thereof;
FIG. 3 is a front elevational view thereof;
FIG. 4 is a rear elevational view thereof;
FIG. 5 is a top plan view thereof;
FIG. 6 is a bottom plan view thereof;
FIG. 7 is a right side elevational view thereof; and,
FIG. 8 is a left side elevational view thereof.
The features shown in broken lines in the drawings depict environmental subject matter only and form no part of the claimed design.

1 Claim, 8 Drawing Sheets

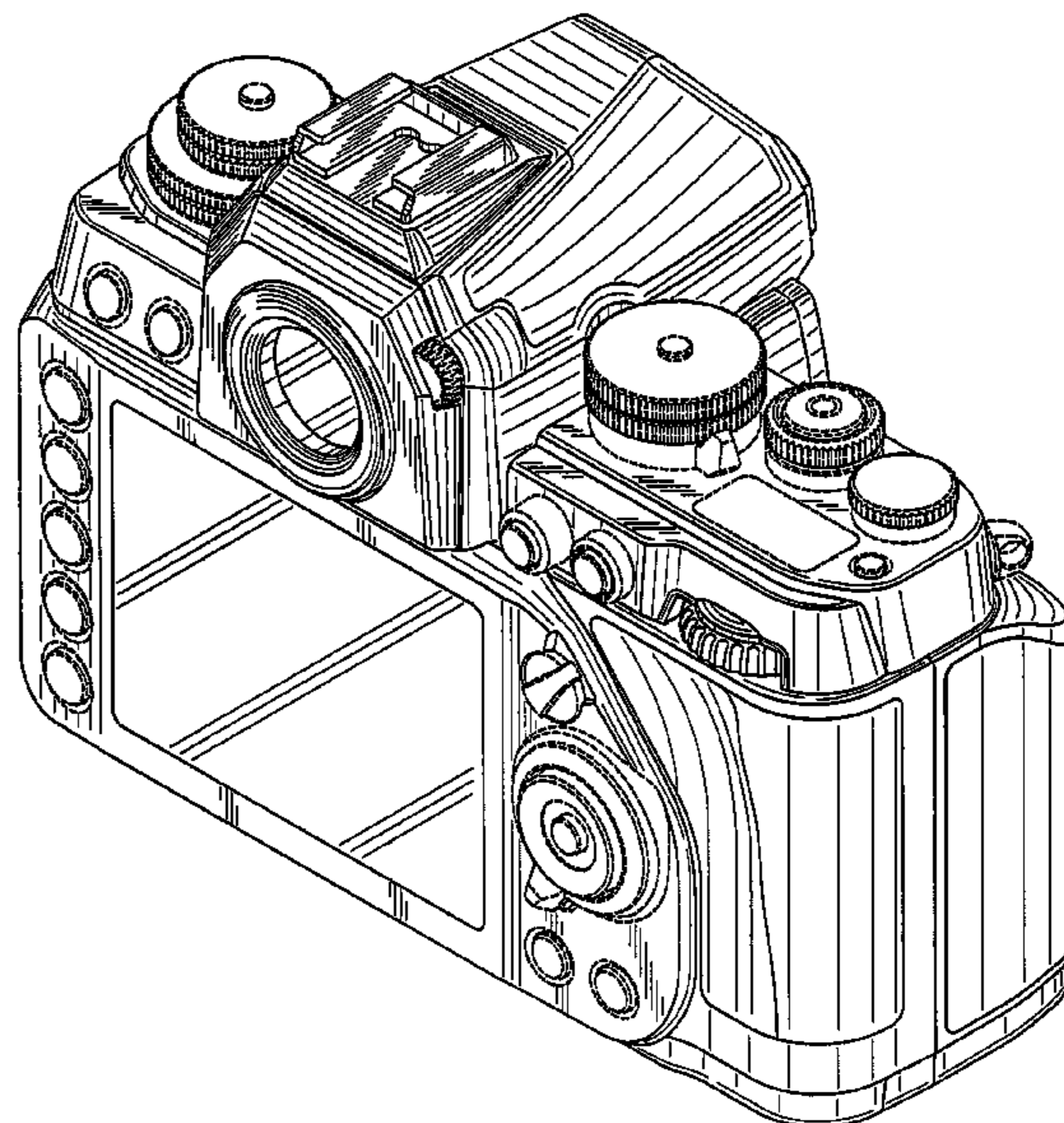
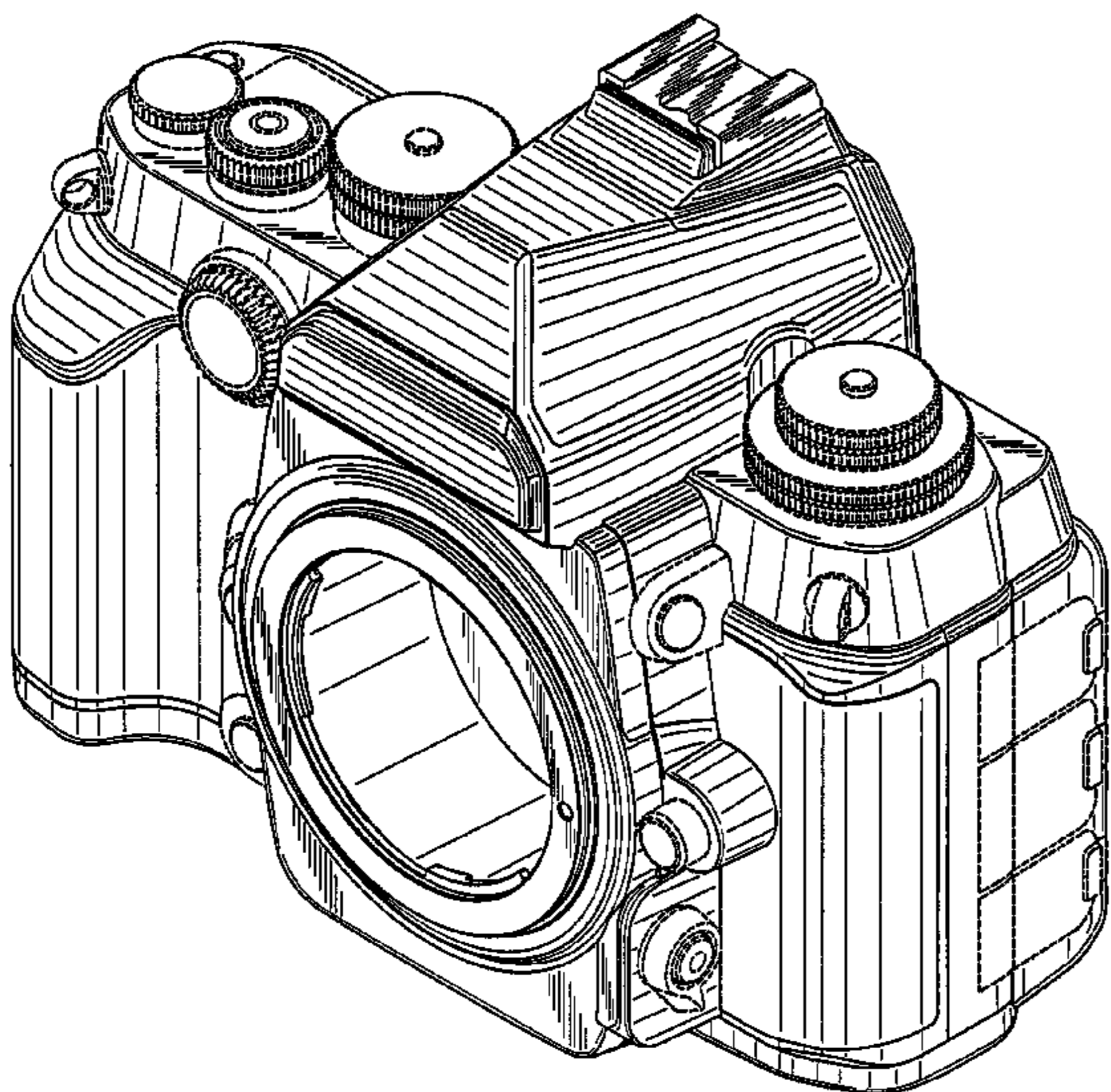


FIG. 1

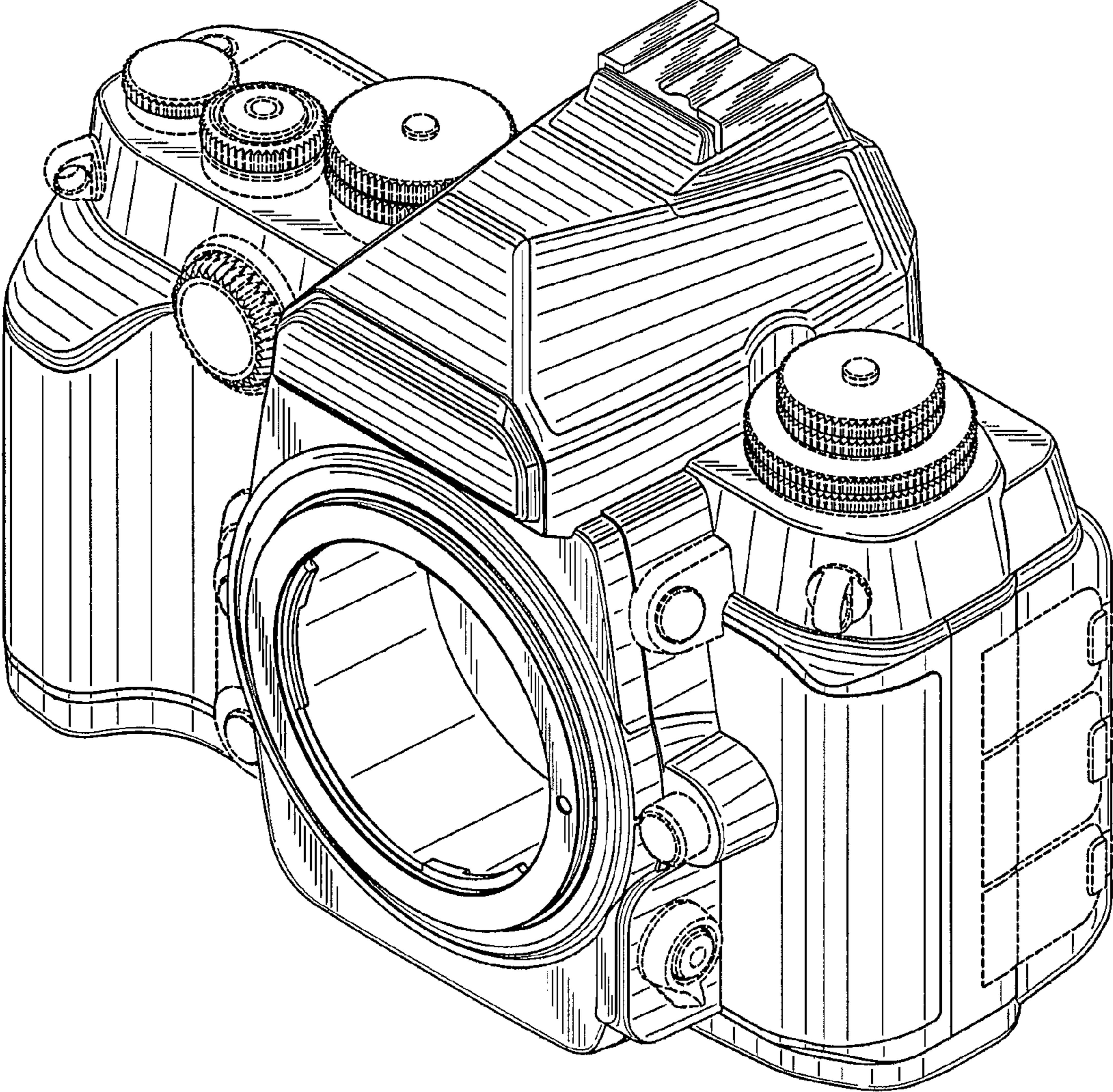


FIG. 2

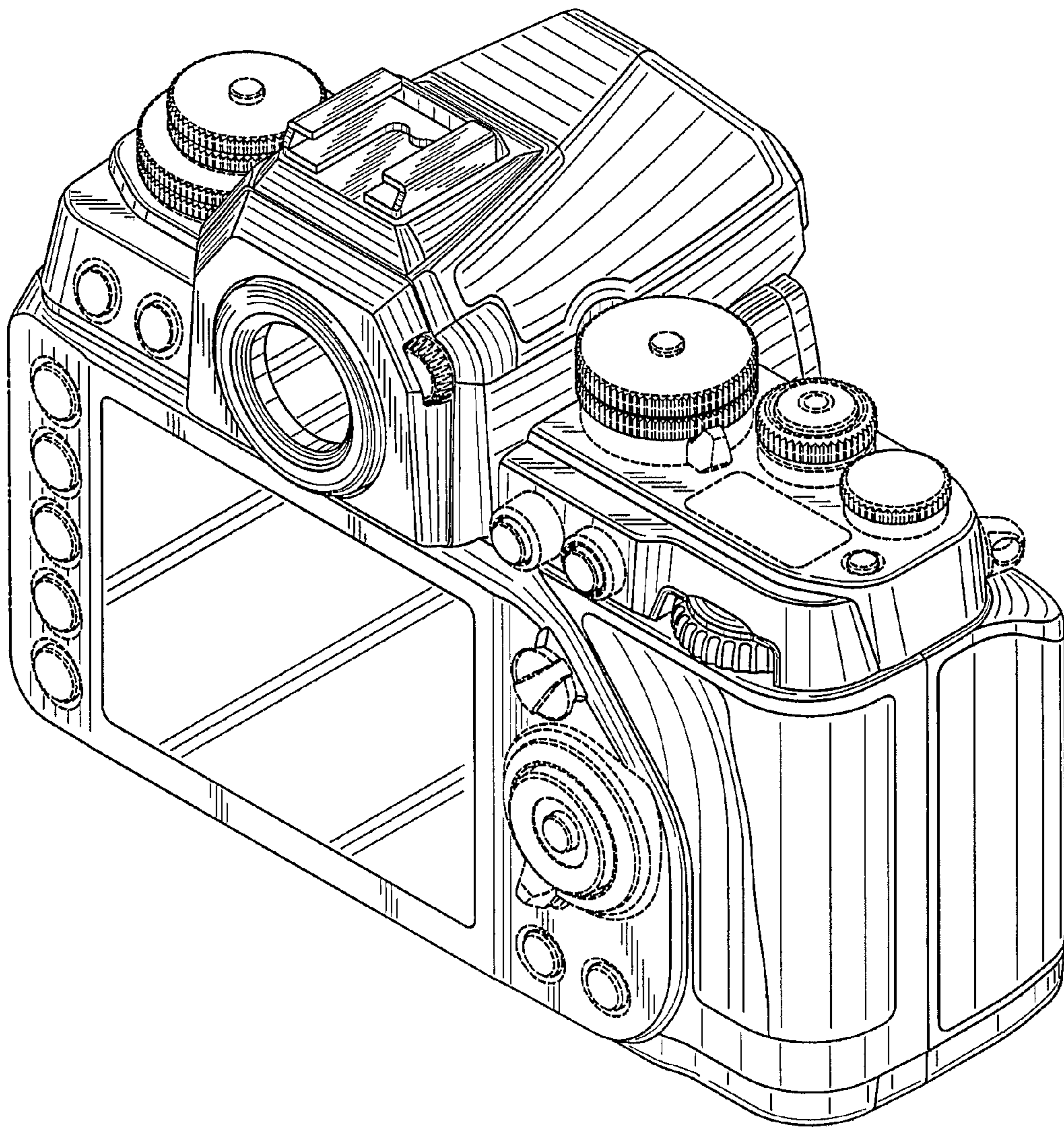


FIG. 3

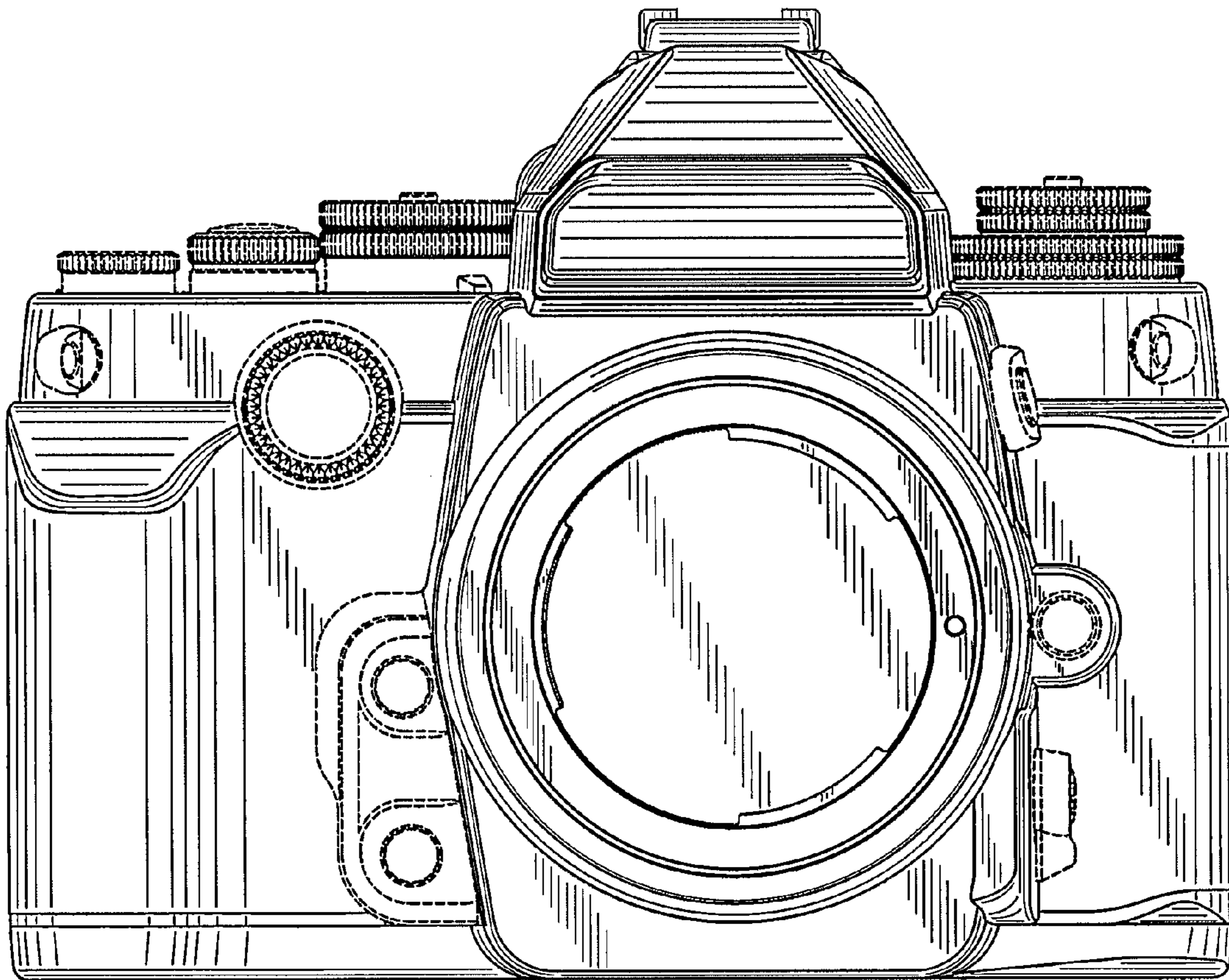


FIG. 4

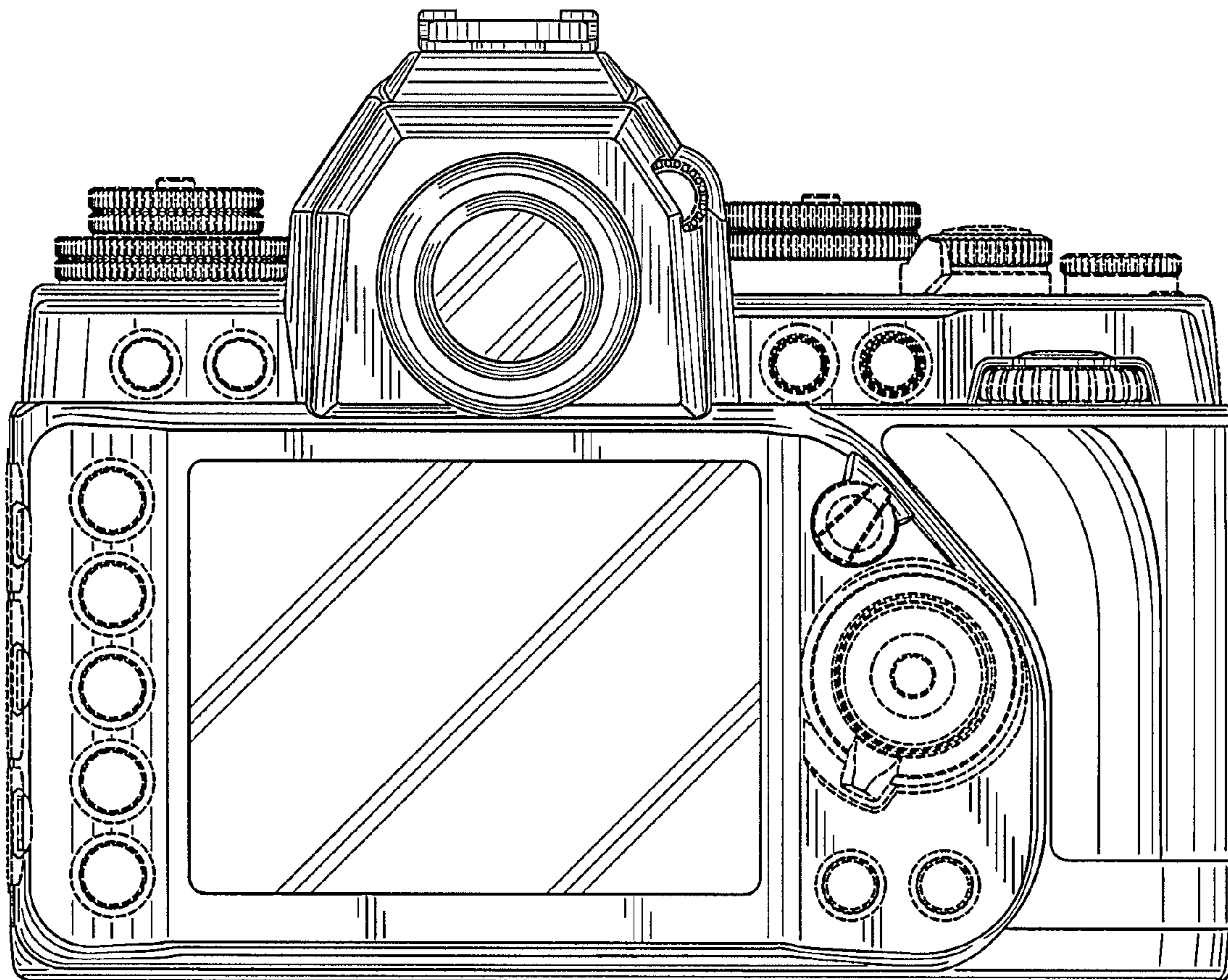


FIG. 5

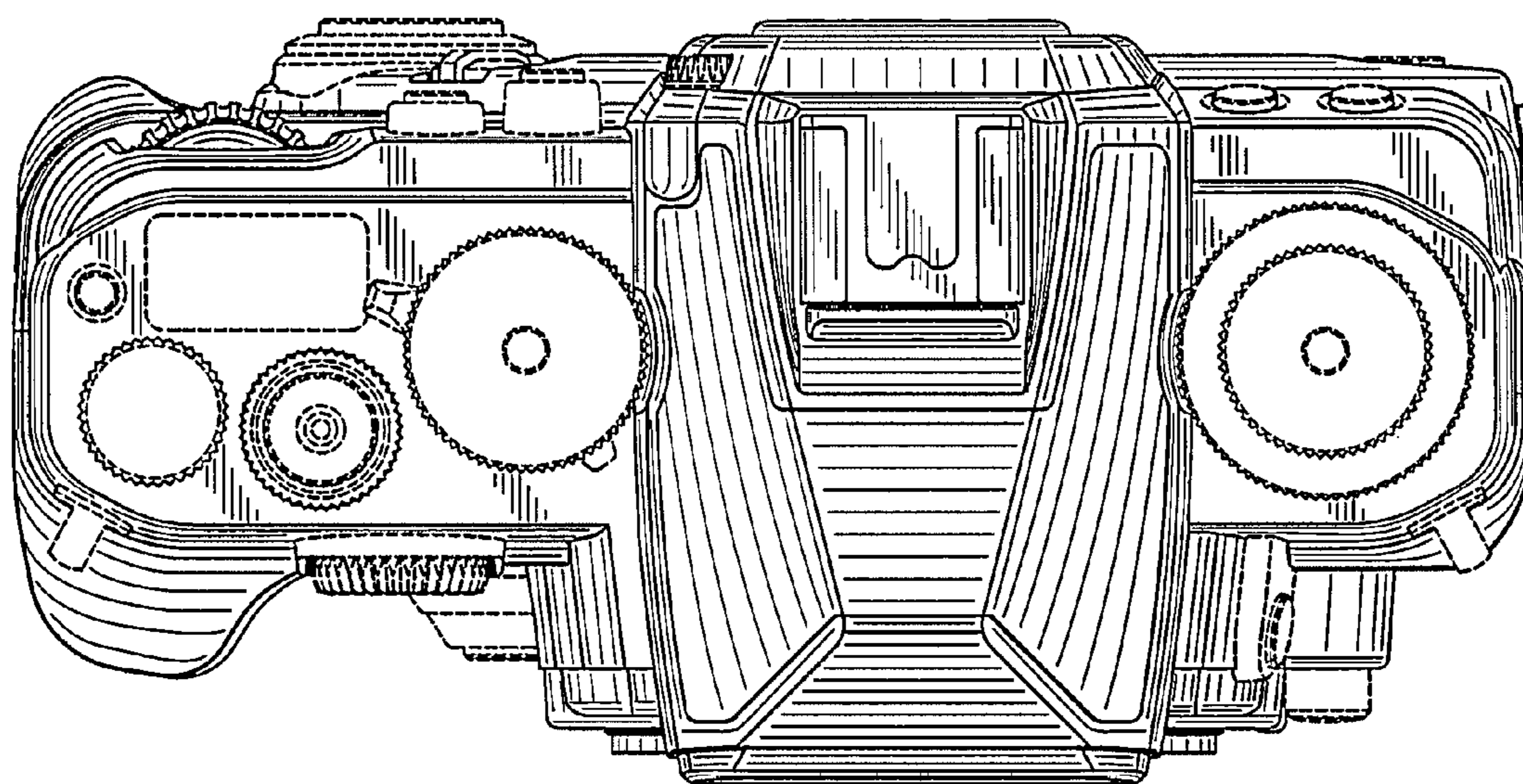


FIG. 6

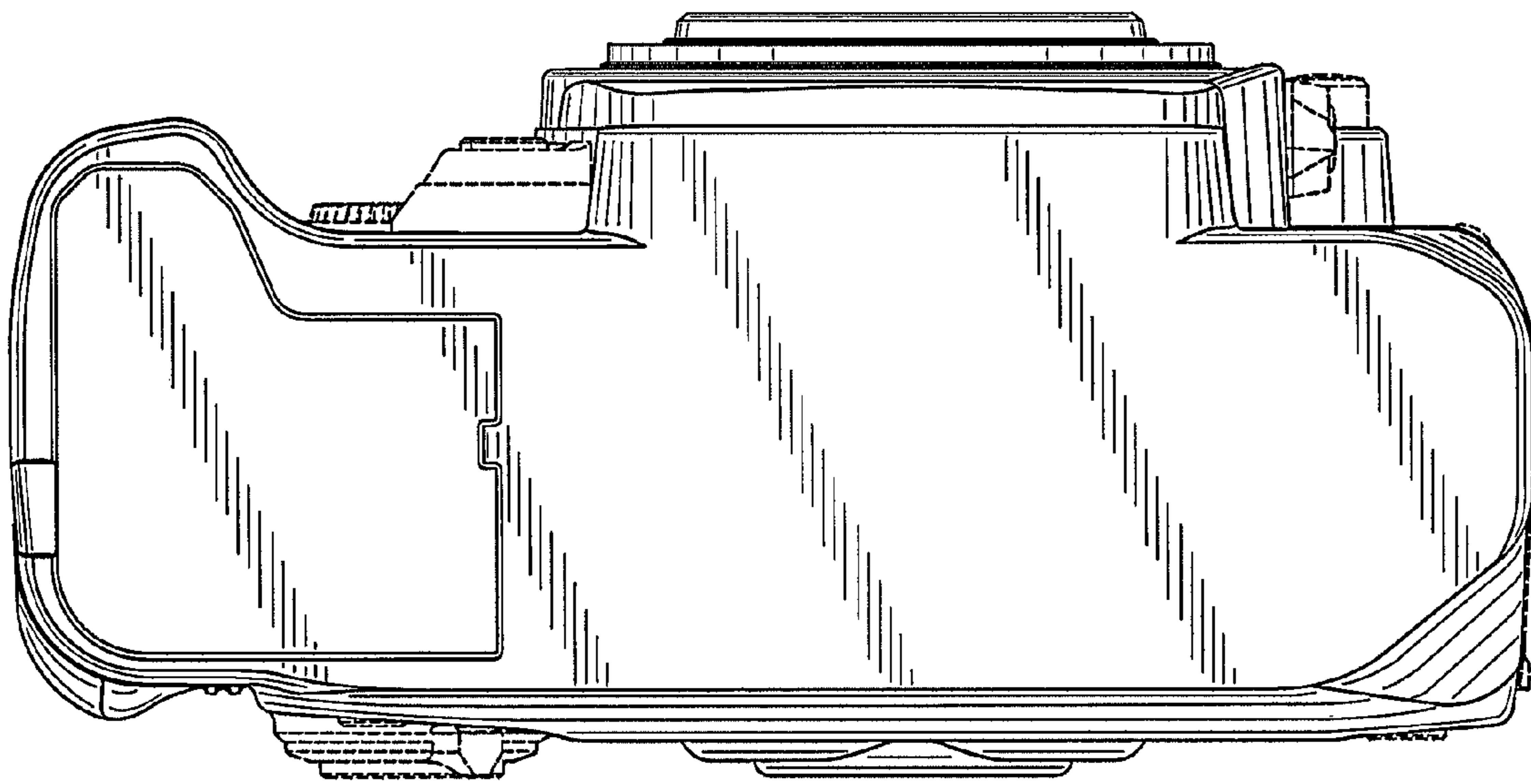


FIG. 7

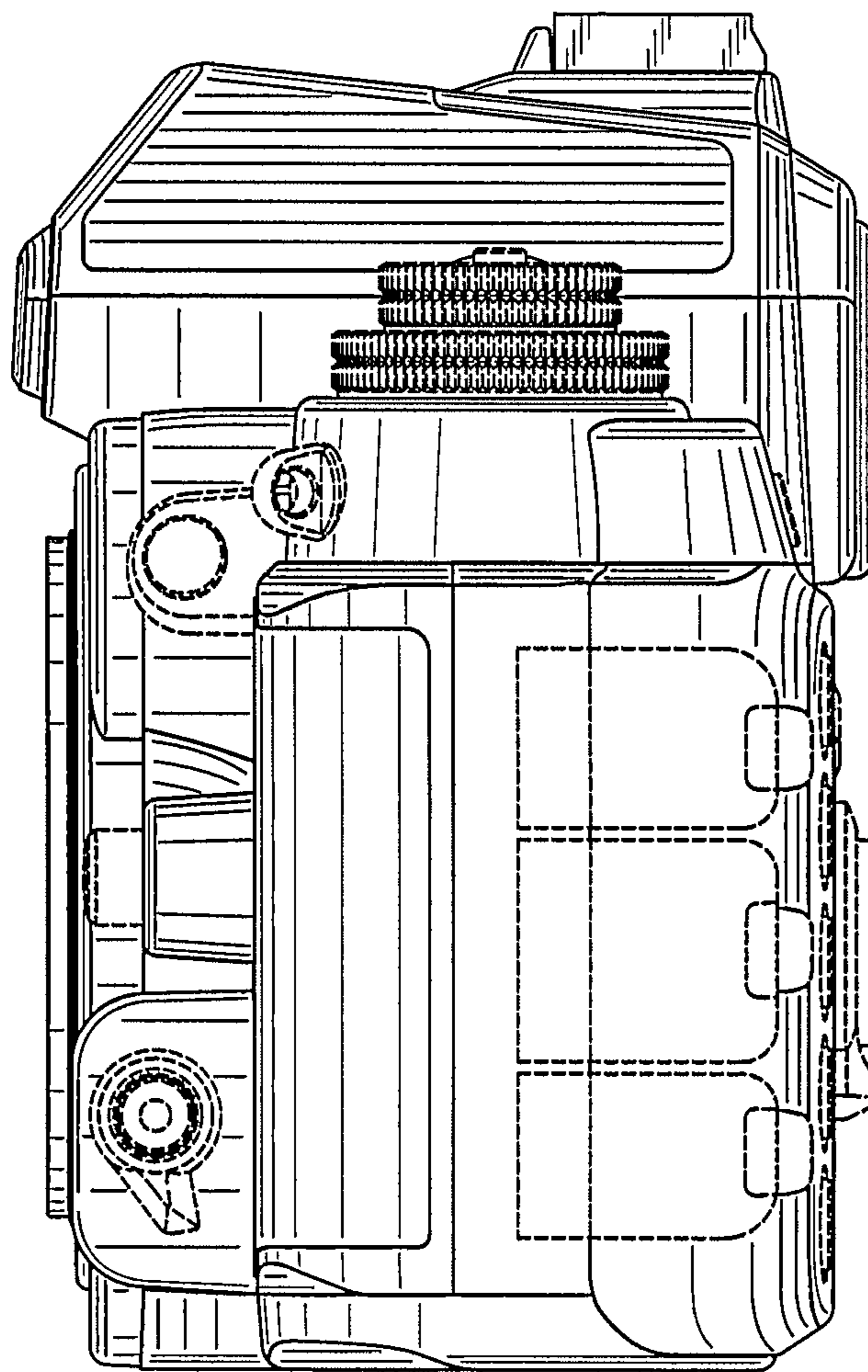


FIG. 8

