



US00D732097S

(12) **United States Design Patent**
Imamizu

(10) **Patent No.:** **US D732,097 S**
(45) **Date of Patent:** **** Jun. 16, 2015**

(54) **TELESCOPE**

(71) Applicant: **Nikon Vision Co., Ltd.**, Tokyo (JP)

(72) Inventor: **Makoto Imamizu**, Yokohama (JP)

(73) Assignee: **Nikon Vision Co., Ltd.**, Tokyo (JP)

(**) Term: **14 Years**

(21) Appl. No.: **29/481,652**

(22) Filed: **Feb. 7, 2014**

(30) **Foreign Application Priority Data**

Aug. 12, 2013 (JP) 2013-018583

(51) **LOC (10) Cl.** **16-06**

(52) **U.S. Cl.**
USPC **D16/132**

(58) **Field of Classification Search**
USPC D16/130, 132, 203; D21/403, 483, 514;
359/350, 351, 353, 382-384, 399-401,
359/405-407, 422, 425, 426, 429, 430, 432,
359/600, 616, 617, 802, 808, 818, 819, 822,
359/823, 825, 826, 829
See application file for complete search history.

(56) **References Cited**

U.S. PATENT DOCUMENTS

D287,136 S * 12/1986 Murray, Jr. D16/132
D479,255 S * 9/2003 Hamamura D16/132
D490,097 S * 5/2004 Regan et al. D16/132
D587,290 S * 2/2009 Meinzer D16/132

D675,239 S * 1/2013 Wunnicke et al. D16/132
D695,326 S * 12/2013 Hoelbl D16/132
2009/0040600 A1 * 2/2009 Vojtech 359/363

OTHER PUBLICATIONS

Brochure of Telescopes issued by Swarovski Optic, dated Jul. 2012, pp. 1, 2, 3, 22-23 and 28-29.

* cited by examiner

Primary Examiner — Derrick Holland

Assistant Examiner — Lauren Calve

(74) *Attorney, Agent, or Firm* — Wolf, Greenfield & Sacks, P.C.; Randy J. Pritzker

(57) **CLAIM**

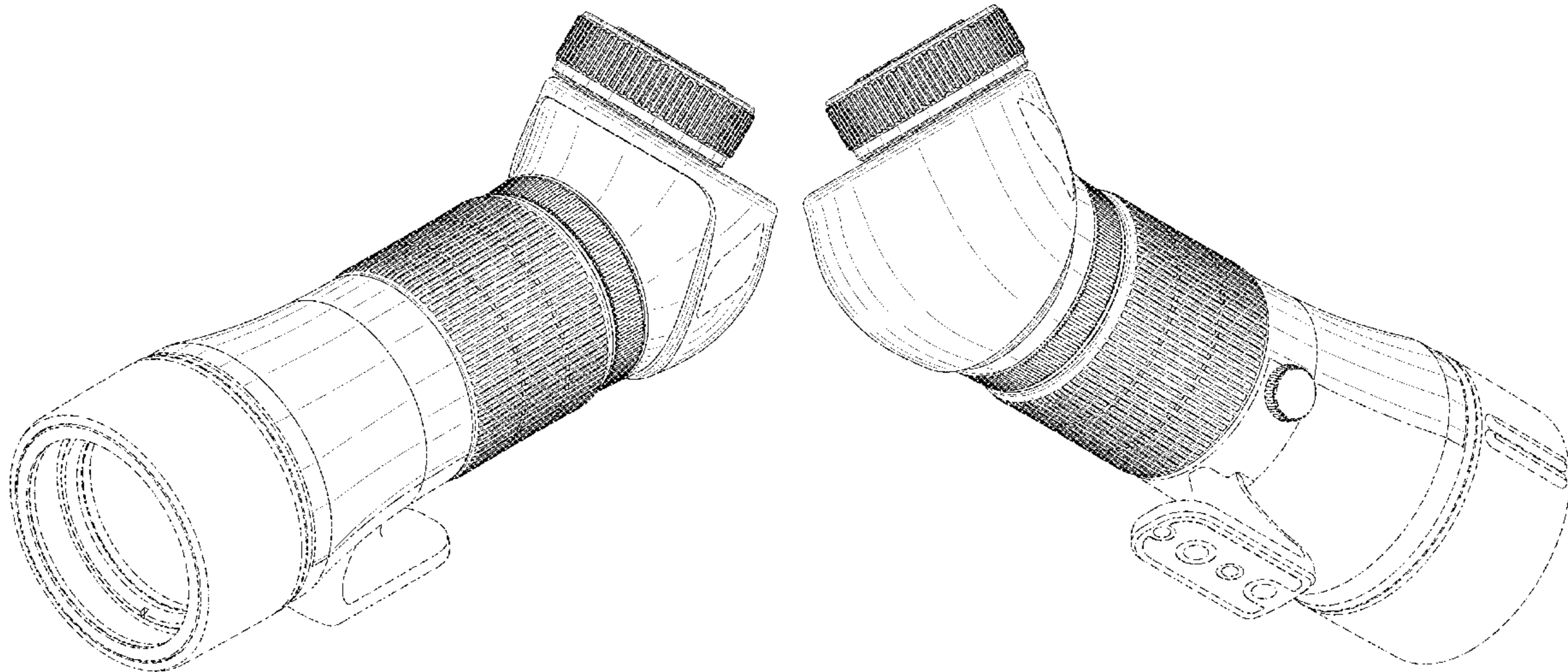
The ornamental design for a telescope, as shown and described.

DESCRIPTION

FIG. 1 is a front, top, and left side perspective view of a telescope showing my new design;
FIG. 2 is a rear, bottom, and right side perspective view thereof;
FIG. 3 is a front view thereof;
FIG. 4 is a rear view thereof;
FIG. 5 is a top plan view thereof;
FIG. 6 is a bottom plan view thereof;
FIG. 7 is a right side view thereof; and,
FIG. 8 is a left side view thereof.

The features shown in broken lines in the drawings depict environmental subject matter only and form no part of the claimed design. The dash-dotted lines denote the boundary of the claim and form no part of the claimed design.

1 Claim, 8 Drawing Sheets



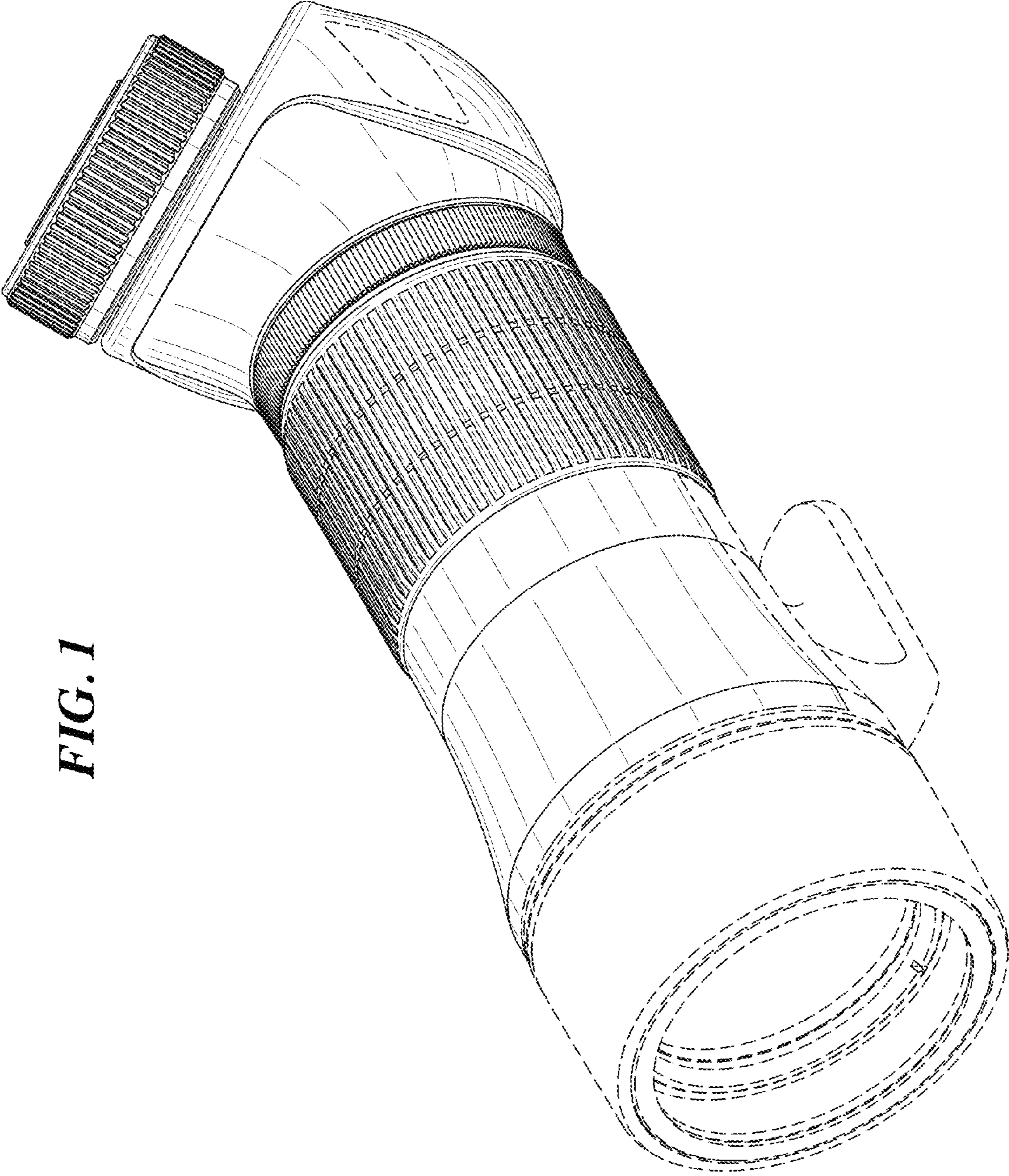


FIG. 1

FIG. 2

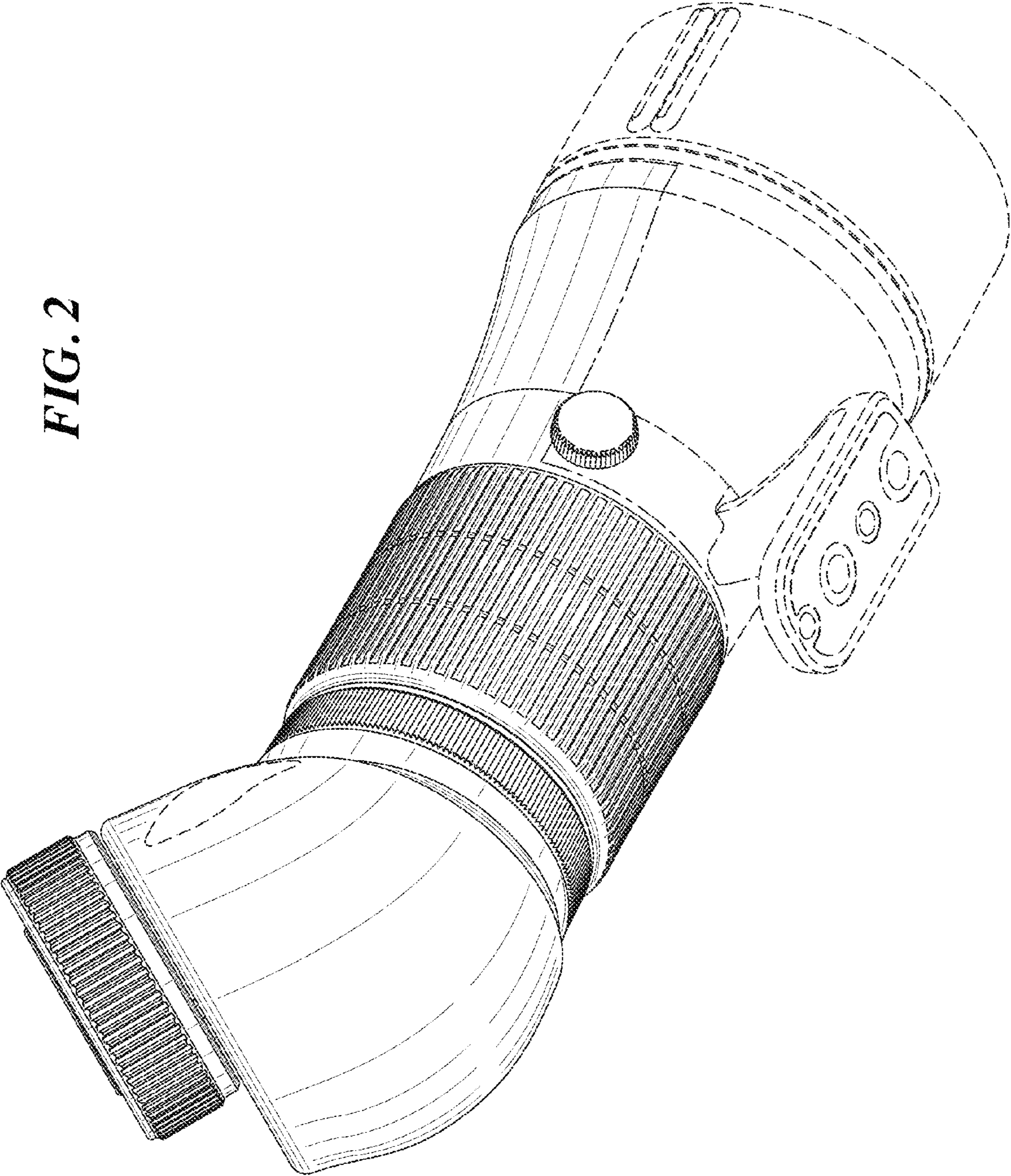


FIG. 3

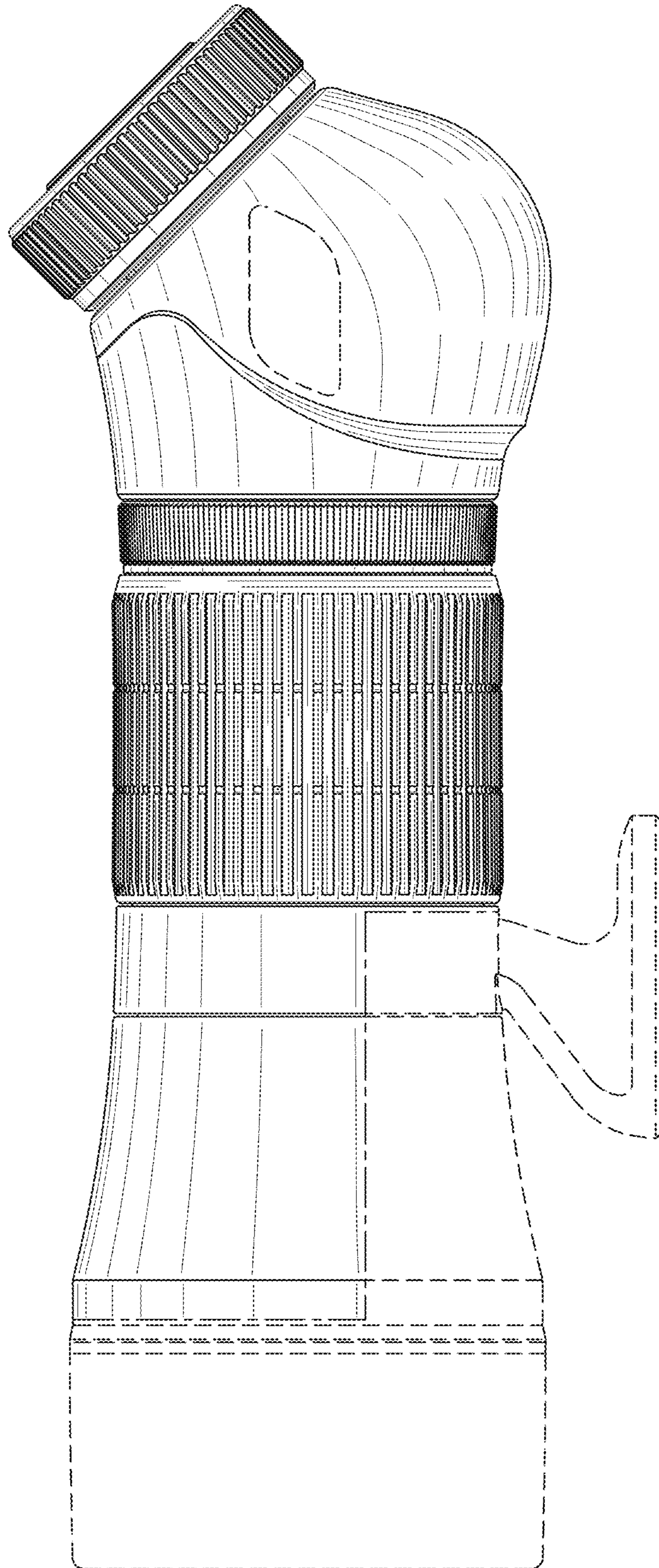


FIG. 4

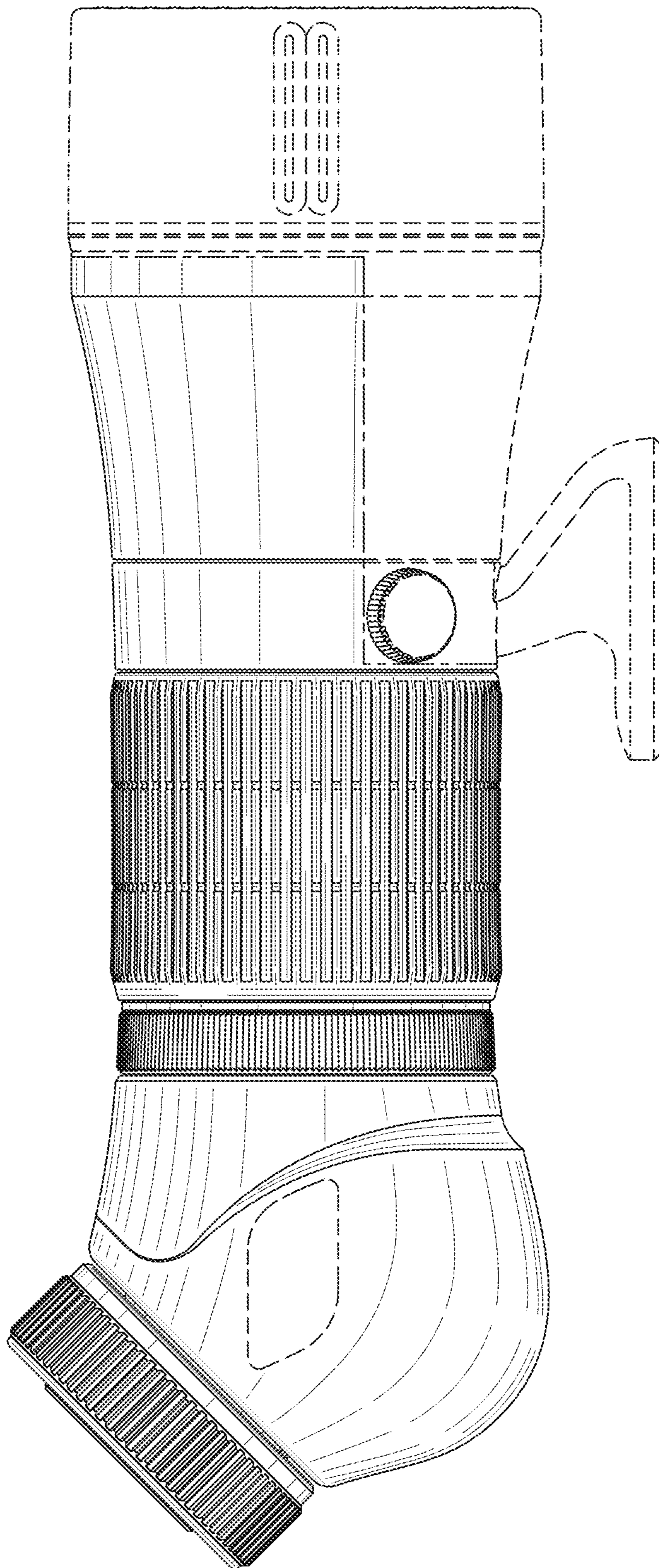


FIG. 5

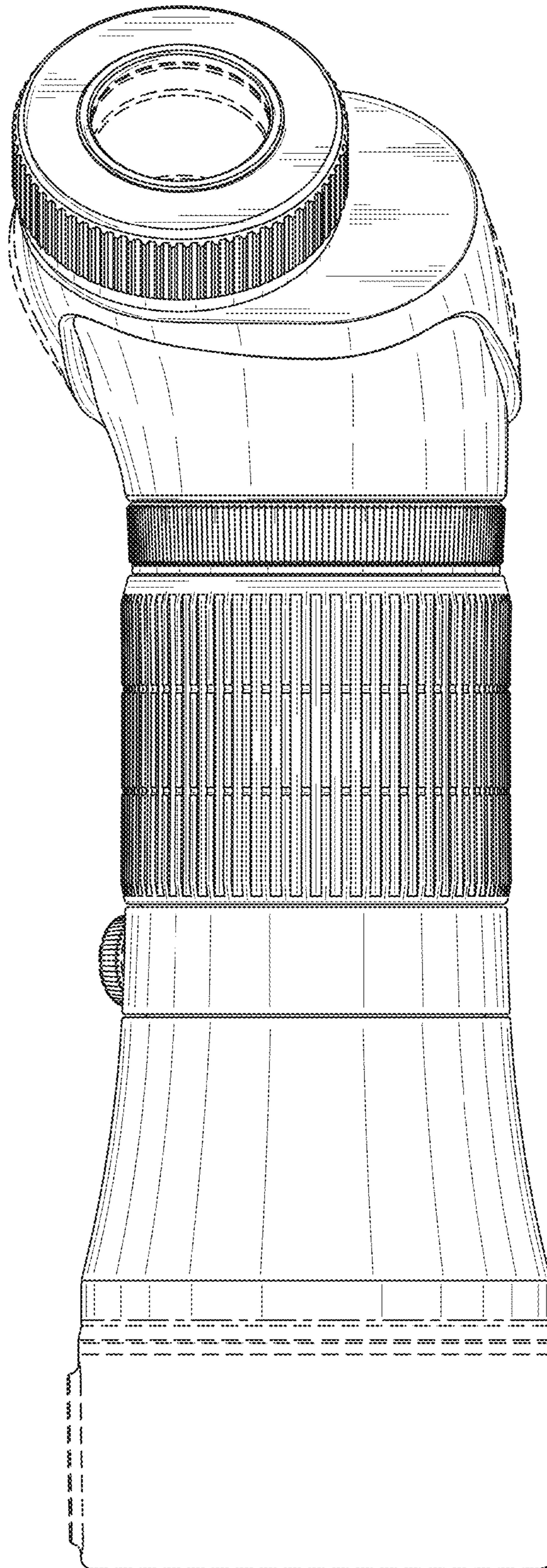


FIG. 6

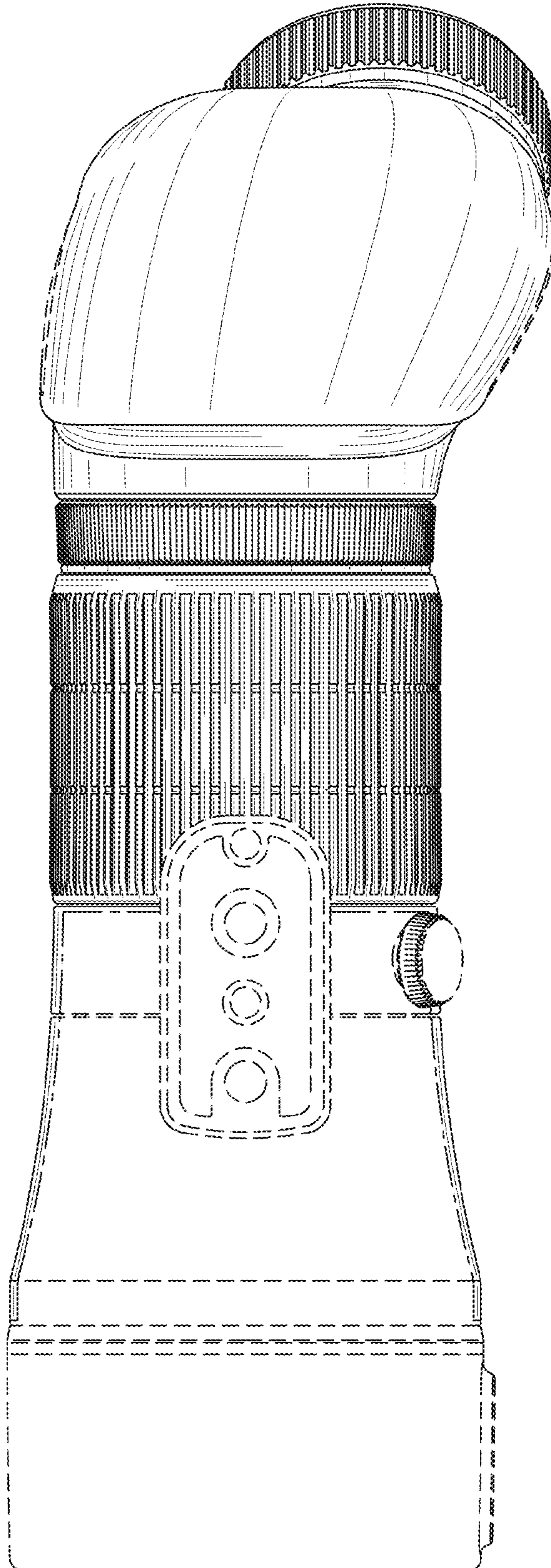


FIG. 7

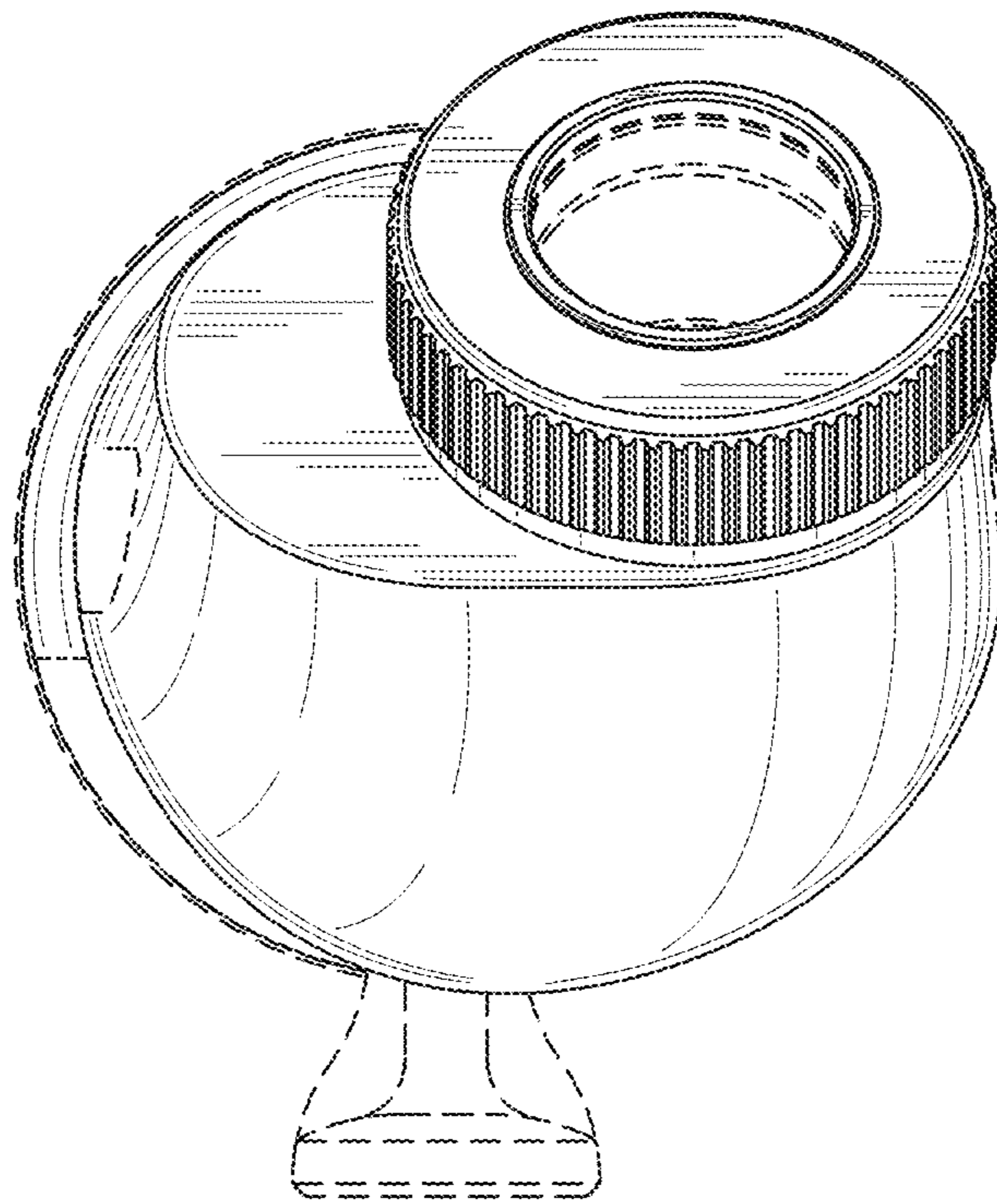


FIG. 8

