



US00D732096S

(12) **United States Design Patent**  
**Jang et al.**

(10) **Patent No.:** **US D732,096 S**  
(45) **Date of Patent:** **\*\* Jun. 16, 2015**

(54) **MOBILE HUMAN INTERFACE ROBOT**  
(71) Applicant: **iRobot Corporation**, Bedford, MA (US)  
(72) Inventors: **Stuart R. Jang**, Sudbury, MA (US);  
**Brian C. Benson, Jr.**, Winchendon, MA  
(US); **William J. Farmer**, Bolton, MA  
(US)  
(73) Assignee: **iRobot Corporation**, Bedford, MA (US)

D639,800 S \* 6/2011 Magruder ..... D14/307  
D644,256 S \* 8/2011 Kitano et al. .... D15/199  
8,077,963 B2 \* 12/2011 Wang et al. .... 382/153  
D663,333 S \* 7/2012 Kitano et al. .... D15/199  
8,265,793 B2 \* 9/2012 Cross et al. .... 700/259  
8,272,466 B2 \* 9/2012 Moriguchi et al. .... 180/167  
D675,656 S \* 2/2013 Sutherland et al. .... D15/199  
D695,345 S \* 12/2013 Park et al. .... D19/59  
D696,658 S \* 12/2013 Winston et al. .... D14/307  
D701,256 S \* 3/2014 Song et al. .... D15/199

(\*\*) Term: **14 Years**

FOREIGN PATENT DOCUMENTS

WO WO-2007041295 A2 4/2007

(21) Appl. No.: **29/457,143**

OTHER PUBLICATIONS

(22) Filed: **Jun. 7, 2013**

Canadian Office Action for related Application No. 2,800,372 dated Apr. 2, 2014.

(51) **LOC (10) Cl.** ..... **15-99**

Australian examination report for related Application No. 2011256720 dated Mar. 27, 2014.

(52) **U.S. Cl.**  
USPC ..... **D15/199**

(58) **Field of Classification Search**  
USPC ..... D15/199; D21/578  
See application file for complete search history.

\* cited by examiner

*Primary Examiner* — Patricia Palasik

(56) **References Cited**

(74) *Attorney, Agent, or Firm* — Honigman Miller Schwartz and Cohn LLP

U.S. PATENT DOCUMENTS

D314,401 S \* 2/1991 Lehman et al. .... D20/3  
D427,742 S \* 7/2000 McCormack et al. .... D99/28  
D431,708 S \* 10/2000 McCormack et al. .... D99/28  
7,228,203 B2 \* 6/2007 Koselka et al. .... 700/245  
D549,756 S \* 8/2007 Park et al. .... D15/199  
D553,655 S \* 10/2007 Jennings et al. .... D15/199  
D563,443 S \* 3/2008 Ahn et al. .... D15/199  
D571,678 S \* 6/2008 Hinshaw ..... D10/70  
D572,739 S \* 7/2008 Jennings et al. .... D15/199  
D579,035 S \* 10/2008 Kim et al. .... D15/199  
D585,943 S \* 2/2009 Pymm et al. .... D20/10  
D590,387 S \* 4/2009 Chen ..... D14/307  
D594,492 S \* 6/2009 Stratton et al. .... D15/199  
7,706,917 B1 4/2010 Chiappetta et al.  
7,789,175 B2 \* 9/2010 Tobey et al. .... 180/65.1  
D626,353 S \* 11/2010 Magruder ..... D6/396  
D627,377 S \* 11/2010 Wiley et al. .... D15/199

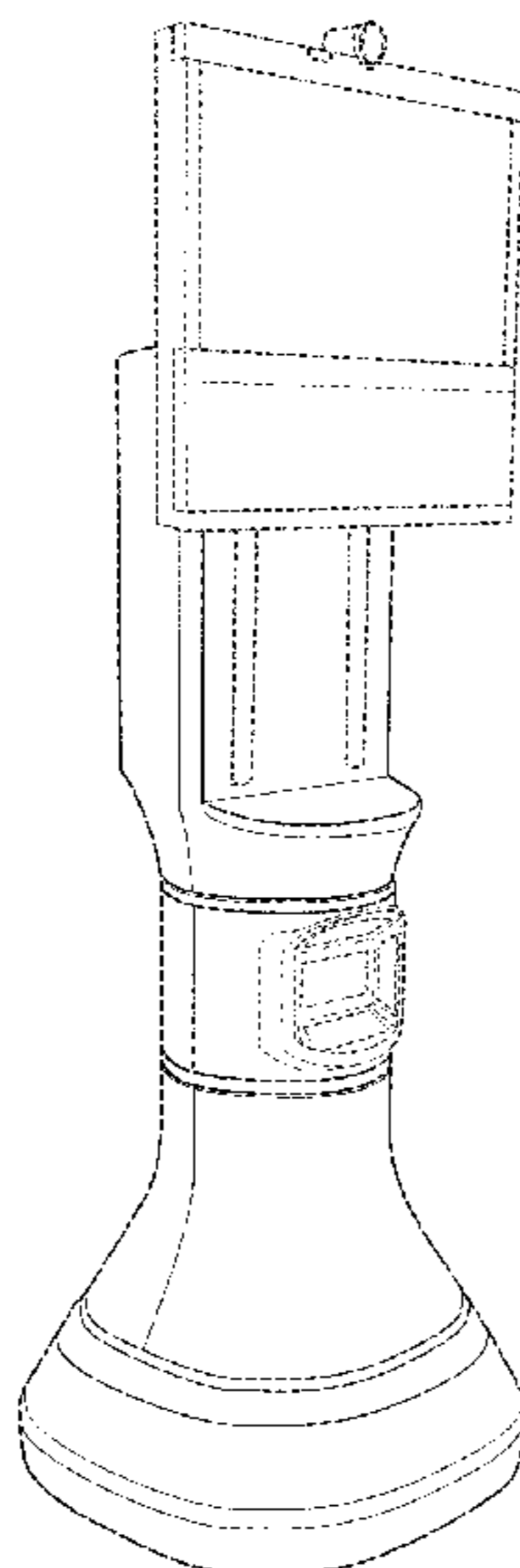
(57) **CLAIM**

The ornamental design for a mobile human interface robot, as shown and described.

**DESCRIPTION**

FIG. 1 is a front perspective view of a mobile human interface robot, showing our new design;  
FIG. 2 is a rear perspective view thereof;  
FIG. 3 is a side perspective view thereof;  
FIG. 4 is a front view thereof; and,  
FIG. 5 is an enlarged top plan view thereof.  
The dashed lines in the drawing views depict portions of the design that form no part of the claim.

**1 Claim, 5 Drawing Sheets**



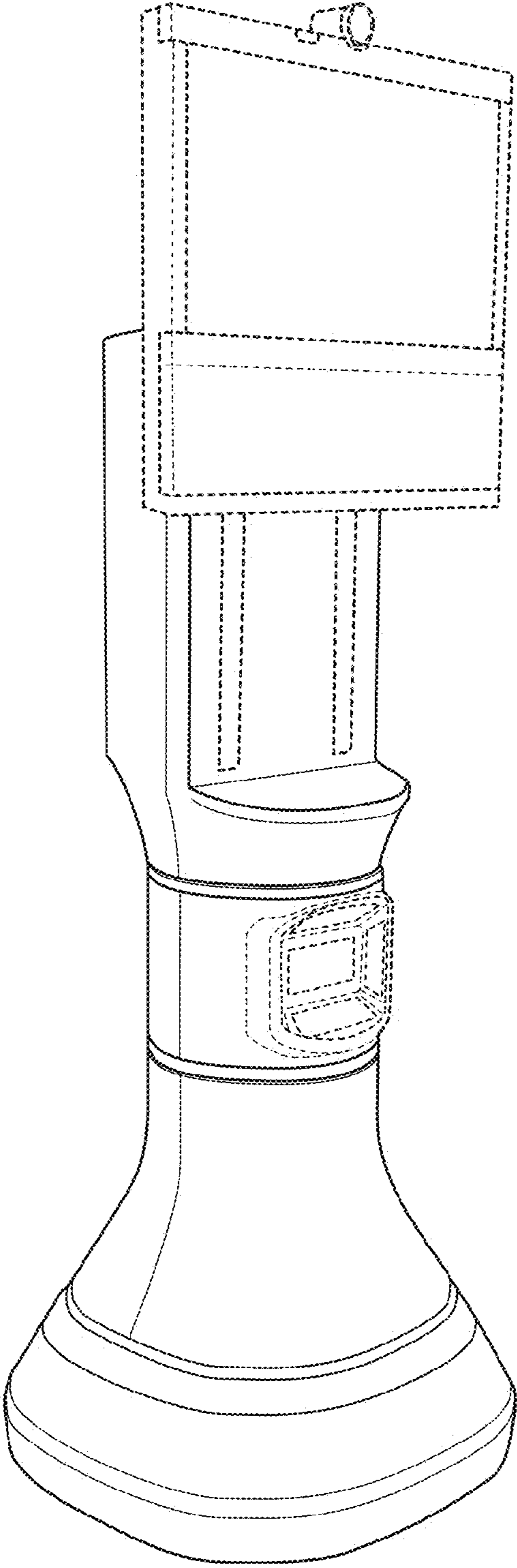


FIG. 1

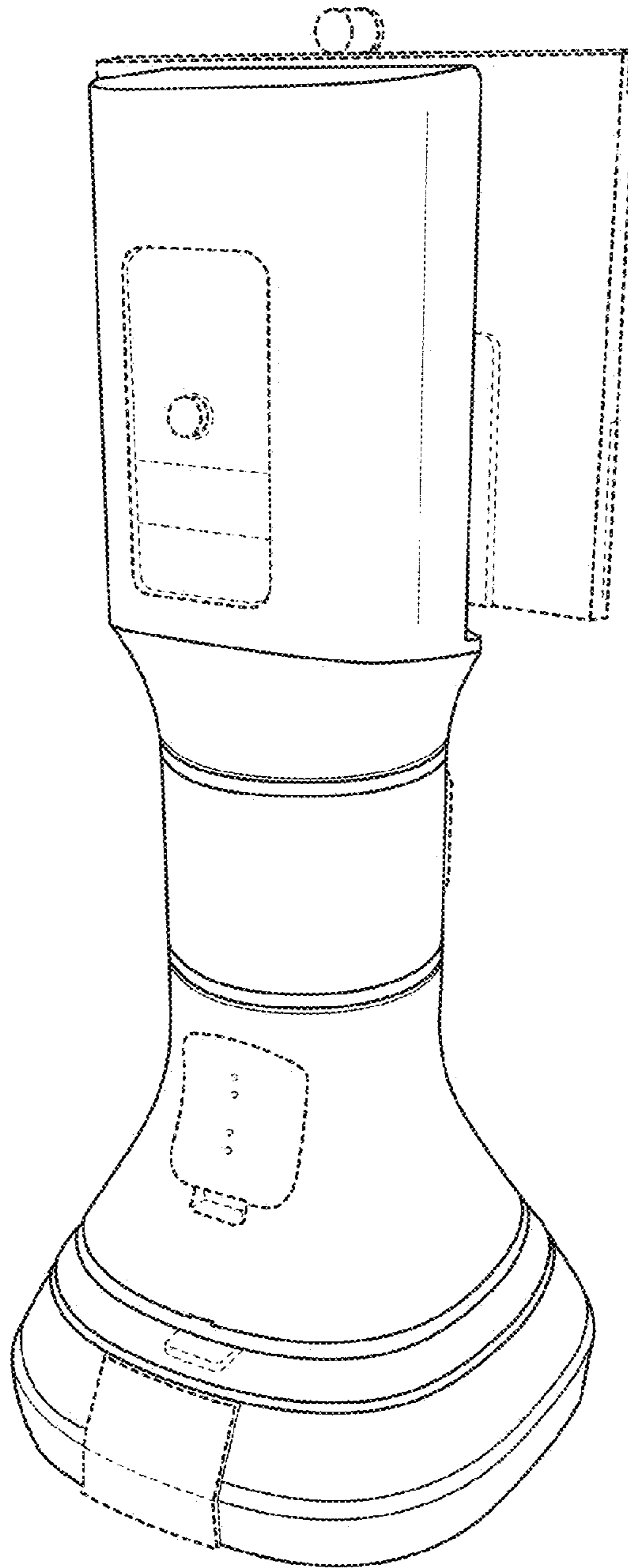


FIG. 2

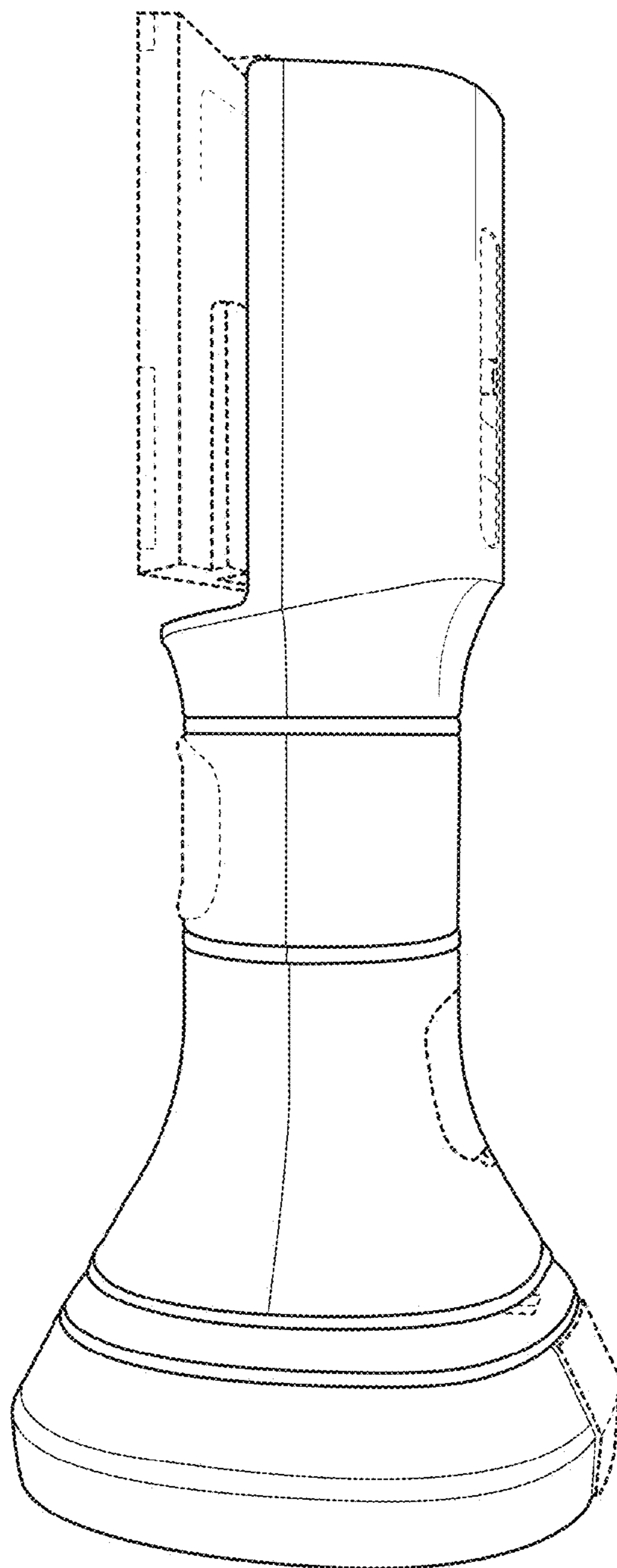


FIG. 3

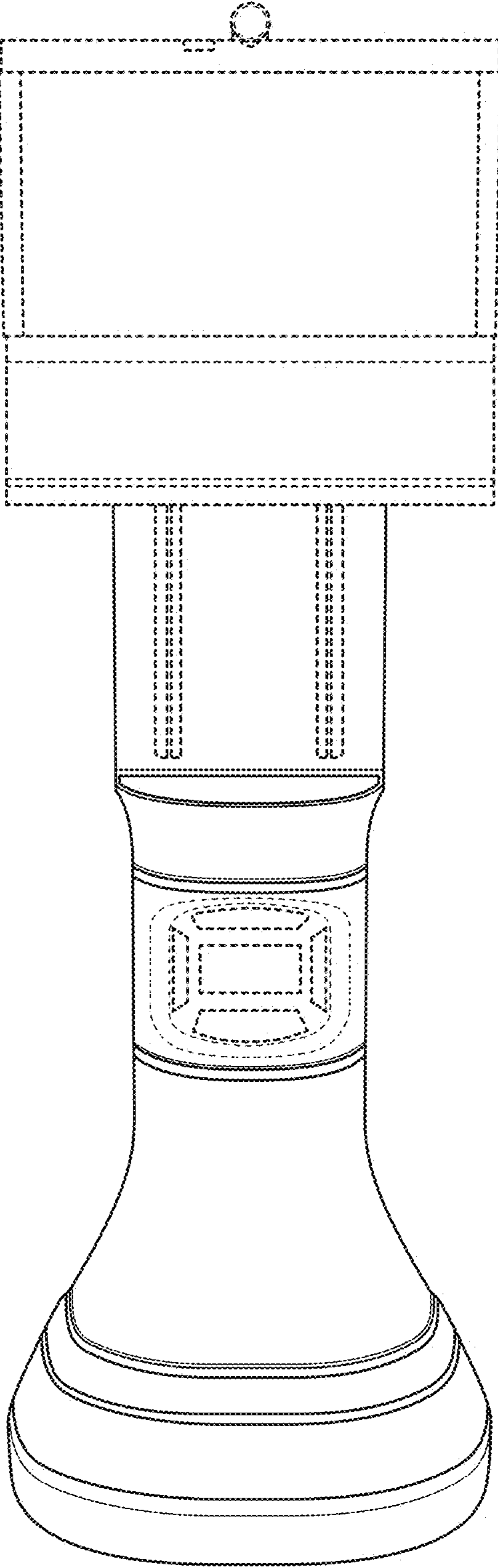


FIG. 4

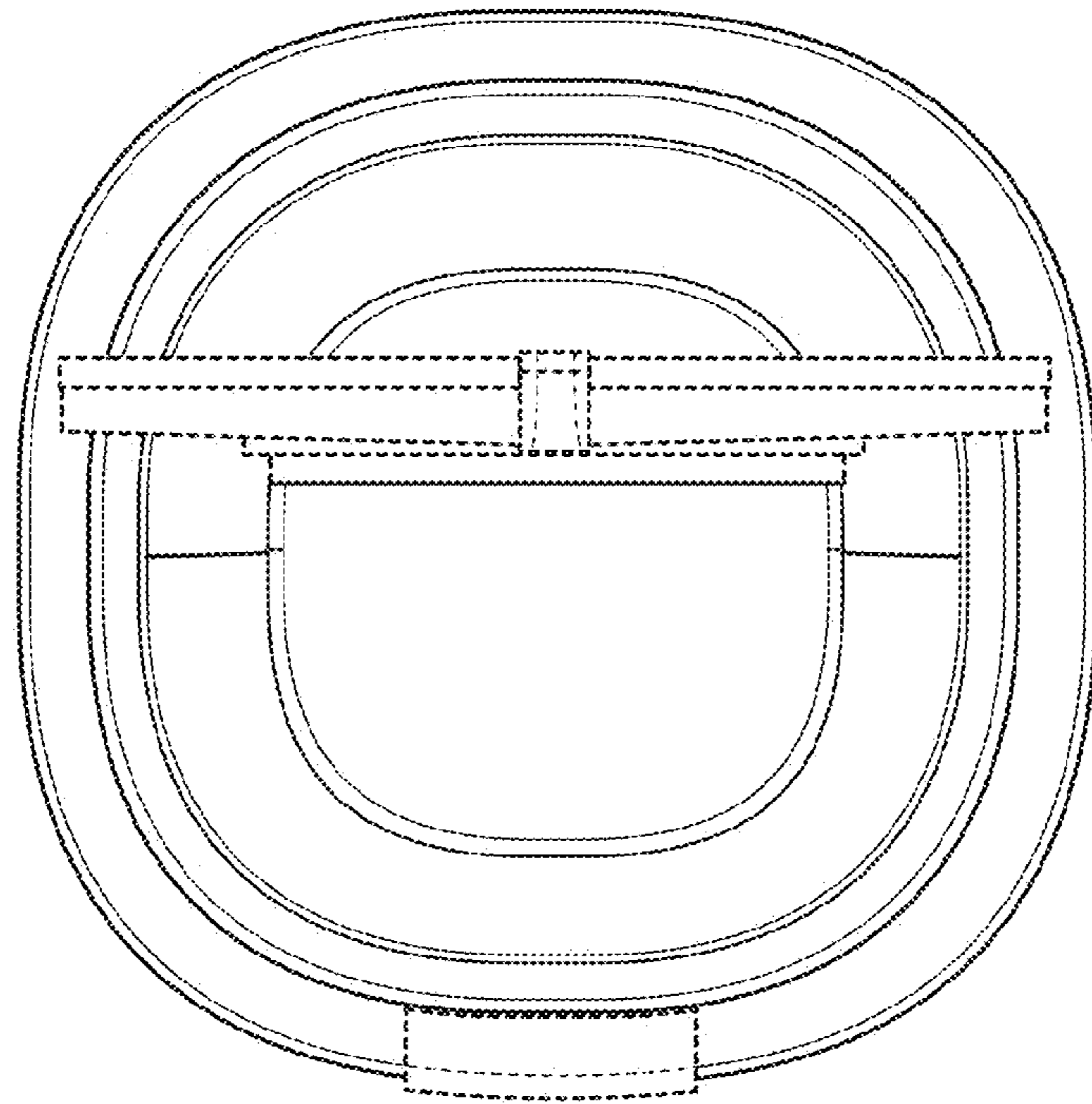


FIG. 5