



US00D732093S

(12) **United States Design Patent**
Pak et al.

(10) **Patent No.:** **US D732,093 S**
(45) **Date of Patent:** **** Jun. 16, 2015**

- (54) **GAS TUBE ASSEMBLY**
- (71) Applicant: **Veeco ALD Inc.**, Fremont, CA (US)
- (72) Inventors: **Samuel S. Pak**, San Ramon, CA (US);
Sang In Lee, Sunnyvale, CA (US);
Daniel Ho Lee, Burlingame, CA (US);
Hyoseok Daniel Yang, Cupertino, CA (US)
- (73) Assignee: **Veeco ALD Inc.**, Fremont, CA (US)
- (**) Term: **14 Years**
- (21) Appl. No.: **29/485,465**
- (22) Filed: **Mar. 19, 2014**
- (51) **LOC (10) Cl.** **15-09**
- (52) **U.S. Cl.**
USPC **D15/138**
- (58) **Field of Classification Search**
USPC D8/70, 71, 90; D15/138, 144, 144.1,
D15/144.2
See application file for complete search history.

6,168,765	B1 *	1/2001	Romatier et al.	422/200
6,238,817	B1 *	5/2001	Reiser	429/408
6,453,842	B1 *	9/2002	Hanawa et al.	118/723 I
6,551,446	B1 *	4/2003	Hanawa et al.	156/345.48
6,586,886	B1 *	7/2003	Katz et al.	315/111.21
7,156,950	B2 *	1/2007	Kim et al.	156/345.48
7,168,269	B2 *	1/2007	Simpson et al.	65/134.6
8,100,348	B2 *	1/2012	Wissink et al.	239/310
8,143,166	B2 *	3/2012	Zhao et al.	438/692
D673,195	S *	12/2012	Choi	D15/144.1
D712,364	S *	9/2014	Lu et al.	D13/182
8,869,742	B2 *	10/2014	Dhindsa et al.	118/723 E
D719,537	S *	12/2014	Kawase et al.	D13/182
8,899,565	B2 *	12/2014	Kim	269/58

* cited by examiner

Primary Examiner — Patricia Palasik
(74) *Attorney, Agent, or Firm* — Fenwick & West LLP

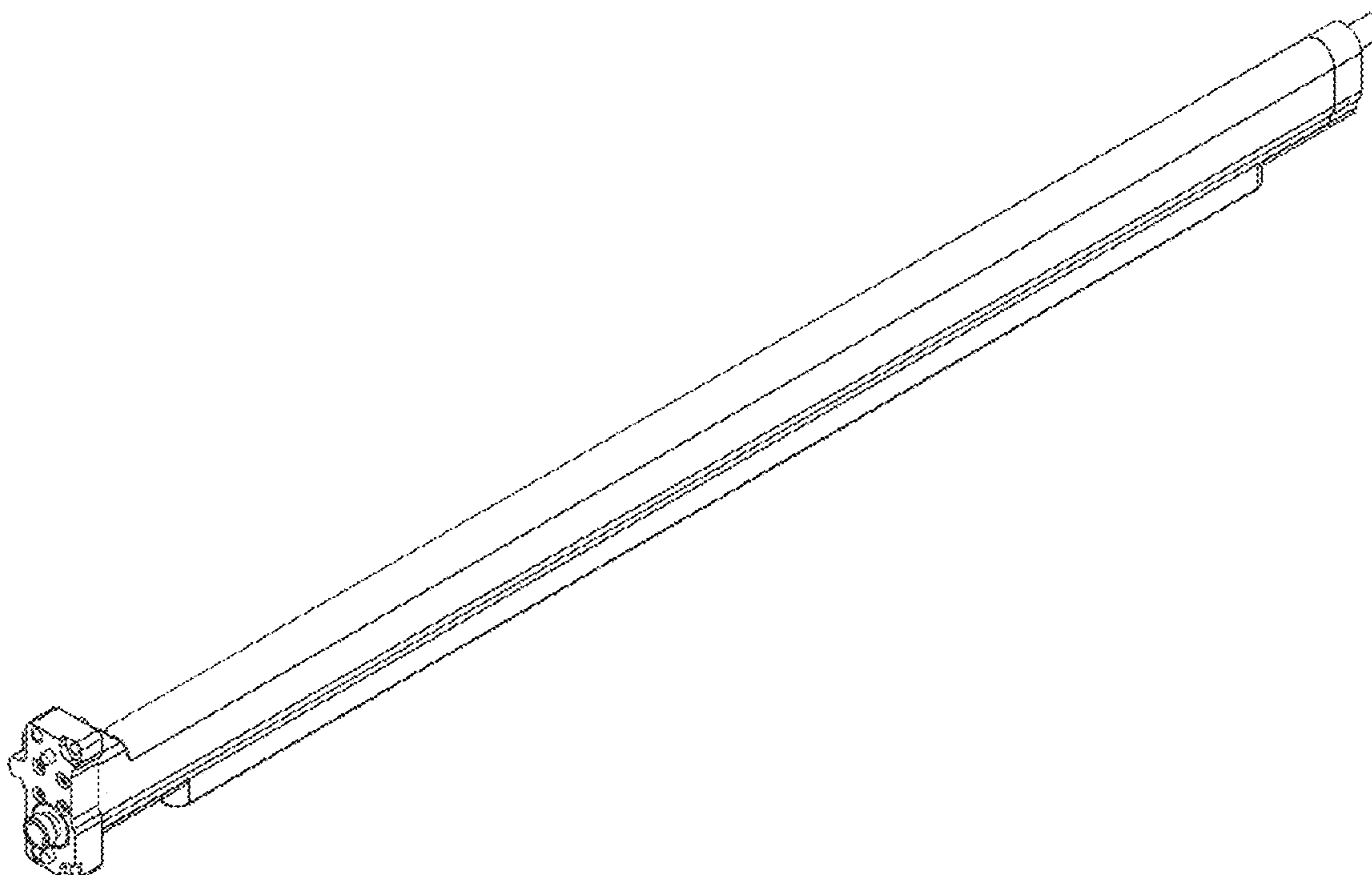
(57) **CLAIM**
The ornamental design for a gas tube assembly, as shown and described.

DESCRIPTION

FIG. 1 is a perspective view of a gas tube assembly, showing our new design.
FIG. 2 is another perspective view of the gas tube assembly of FIG. 1.
FIG. 3 is a front view of the gas tube assembly of FIG. 1.
FIG. 4 is a rear view of the gas tube assembly of FIG. 1.
FIG. 5 is a left side view of the gas tube assembly of FIG. 1.
FIG. 6 is a right side view of the gas tube assembly of FIG. 1.
FIG. 7 is a top view of the gas tube assembly of FIG. 1; and, FIG. 8 is a bottom view of the gas tube assembly of FIG. 1.

1 Claim, 6 Drawing Sheets

- (56) **References Cited**
U.S. PATENT DOCUMENTS
- | | | | | | |
|-----------|-----|---------|-----------------|-------|------------|
| 4,841,884 | A * | 6/1989 | Engstrom et al. | | 110/298 |
| D310,041 | S * | 8/1990 | Nagaoka | | D10/70 |
| 5,082,518 | A * | 1/1992 | Molinaro | | 156/345.11 |
| D341,602 | S * | 11/1993 | Faig et al. | | D15/135 |
| D345,041 | S * | 3/1994 | Bauer | | D15/138 |
| D417,162 | S * | 11/1999 | Thweatt | | D10/64 |
| 6,148,761 | A * | 11/2000 | Majewski et al. | | 118/715 |



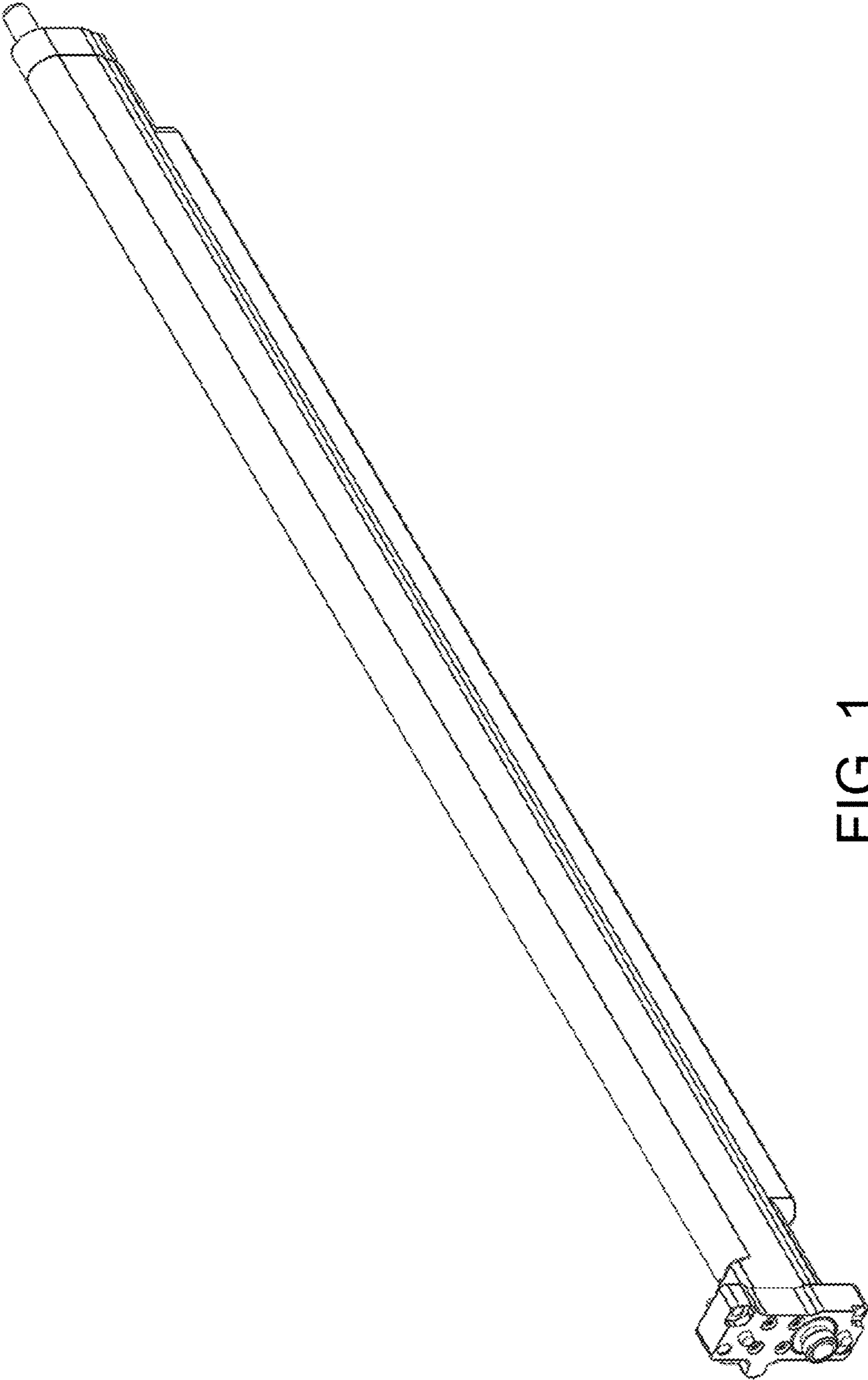


FIG. 1

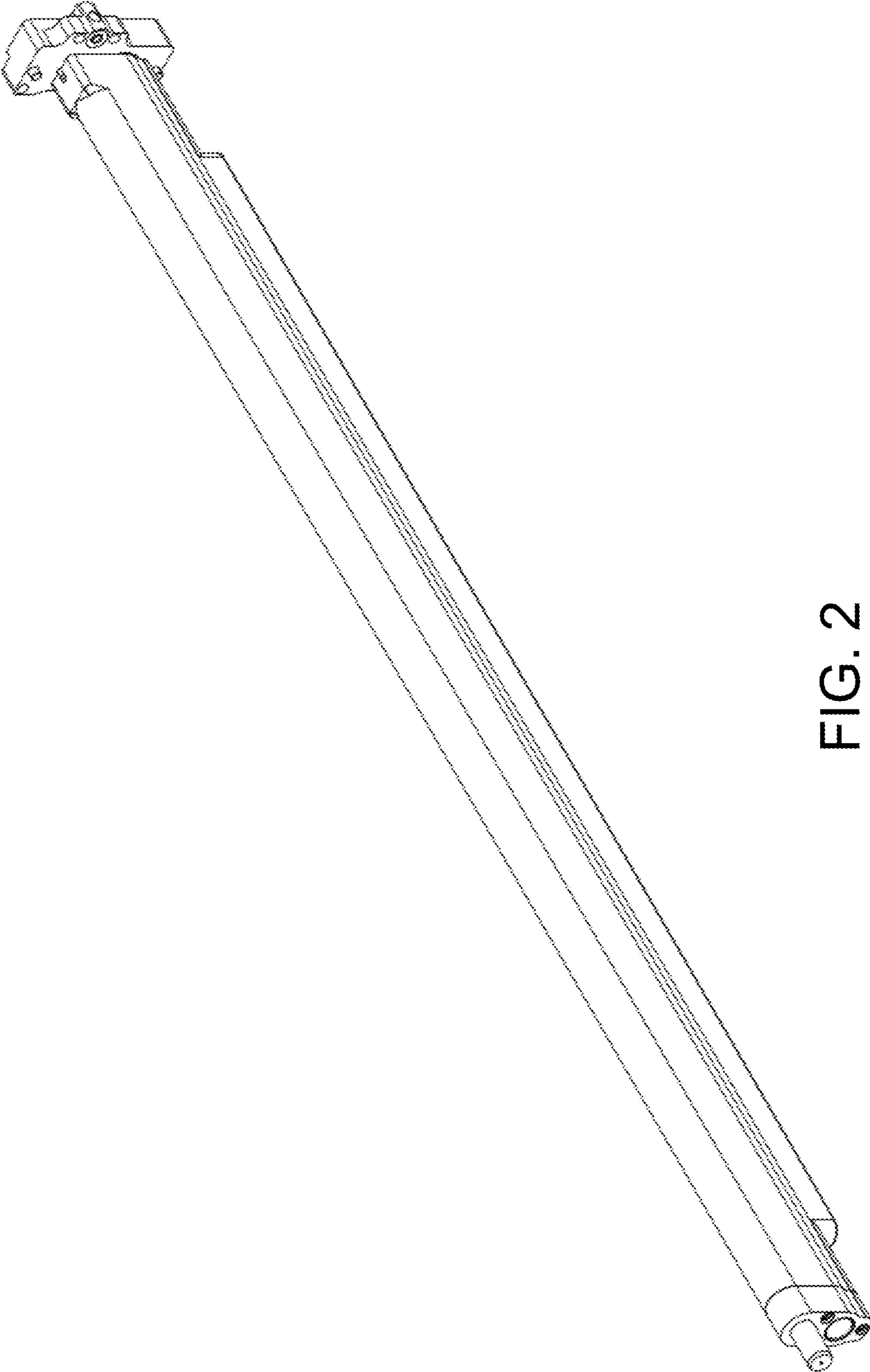


FIG. 2

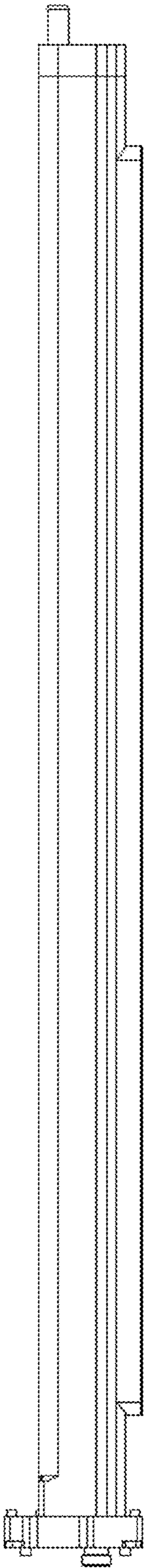


FIG. 3

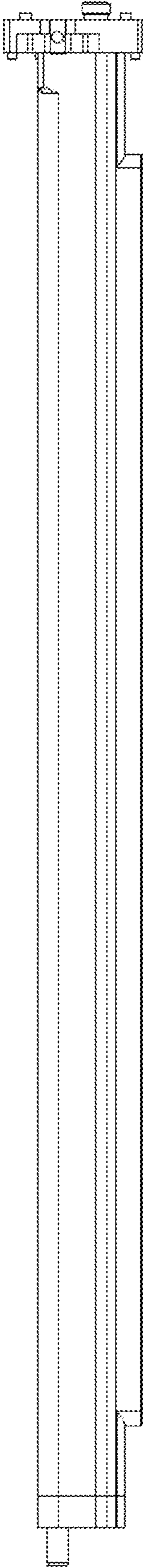


FIG. 4

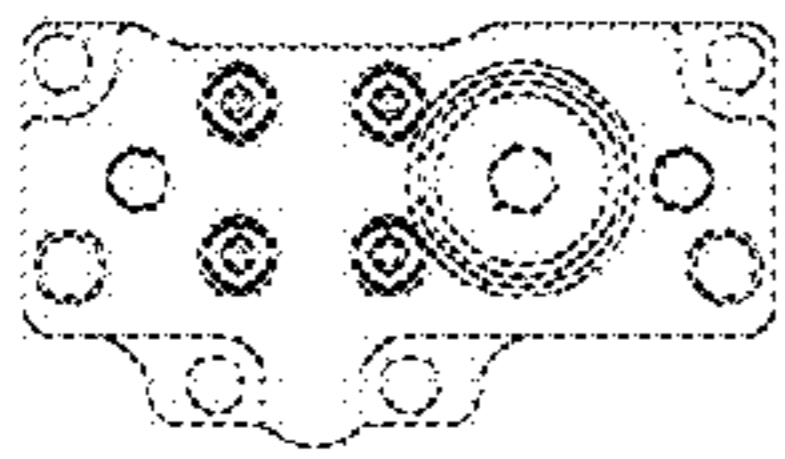


FIG. 5

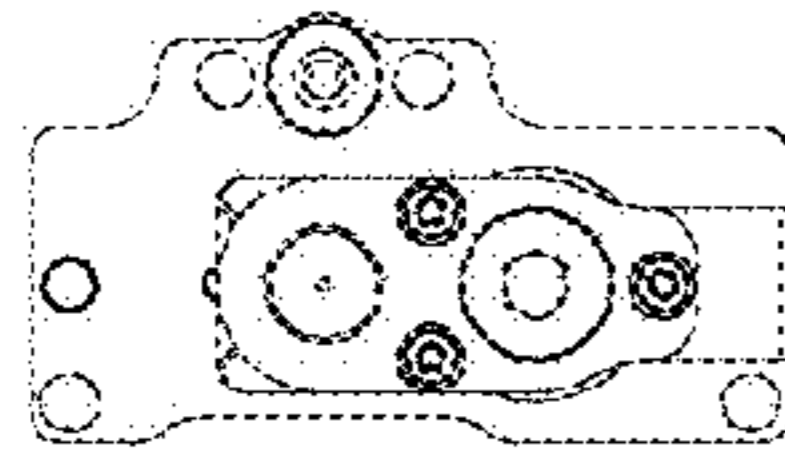


FIG. 6

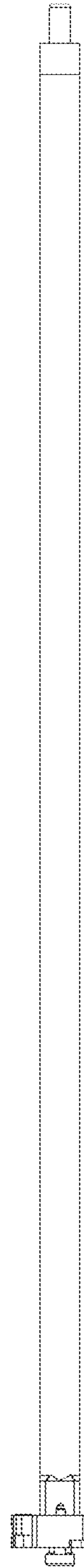


FIG. 7

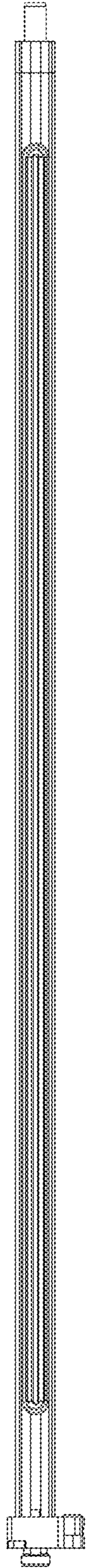


FIG. 8