

US00D732091S

(12) **United States Design Patent**
Ma

(10) **Patent No.:** **US D732,091 S**
(45) **Date of Patent:** **** Jun. 16, 2015**

(54) **MILLING AND DRILLING MACHINE**

(71) Applicant: **Shanghai SIEG Machinery Co., Ltd.**,
Shanghai (CN)

(72) Inventor: **Jian Ma**, Shanghai (CN)

(73) Assignee: **Shanghai SIEG Machinery Co., Ltd.**,
Shanghai (CN)

(**) Term: **14 Years**

(21) Appl. No.: **29/490,304**

(22) Filed: **May 8, 2014**

(30) **Foreign Application Priority Data**

Apr. 21, 2014 (CN) 2014 3 0097322

(51) **LOC (10) Cl.** **15-09**

(52) **U.S. Cl.**
USPC **D15/132**

(58) **Field of Classification Search**

USPC D8/107, 300; D15/132; 29/560;
144/1.1, 46, 253.2, 365; 408/20, 87,
408/91, 103, 110, 129, 135, 140, 220, 227
See application file for complete search history.

(56) **References Cited**

U.S. PATENT DOCUMENTS

3,314,312 A * 4/1967 Niehaus, Jr. et al. 408/128
D285,797 S * 9/1986 Arehart D15/132
5,765,273 A * 6/1998 Mora et al. 29/560
5,960,531 A * 10/1999 Mora et al. 29/560
5,980,167 A * 11/1999 Chen 408/87
D497,622 S * 10/2004 Theising et al. D15/134

D541,318 S * 4/2007 Etter et al. D15/132
D541,319 S * 4/2007 Etter et al. D15/132
D560,696 S * 1/2008 Leasure et al. D15/132
2006/0104731 A1 * 5/2006 Etter et al. 408/16
2007/0166115 A1 * 7/2007 Pemberton et al. 408/89
2013/0039710 A1 * 2/2013 van Valkenburg 408/1 BD

* cited by examiner

Primary Examiner — Patricia Palasik

(74) *Attorney, Agent, or Firm* — Jenkins, Wilson, Taylor &
Hunt, P.A.

(57) **CLAIM**

The ornamental design for a milling and drilling machine
design, as shown and described.

DESCRIPTION

FIG. 1 is a perspective view of the new design for our milling
and drilling machine.

FIG. 2 is another perspective view of the milling and drilling
machine of FIG. 1.

FIG. 3 is a front elevation view of the milling and drilling
machine of FIG. 1.

FIG. 4 is a rear elevation view of the milling and drilling
machine of FIG. 1.

FIG. 5 is a left elevation view of the milling and drilling
machine of FIG. 1.

FIG. 6 is a right elevation view of the milling and drilling
machine of FIG. 1.

FIG. 7 is a top plan view of the milling and drilling
machine of FIG. 1; and,

FIG. 8 is a bottom plan view of the milling and drilling
machine of FIG. 1.

The broken lines in the drawings depict unclaimed environ-
mental subject matter.

1 Claim, 8 Drawing Sheets

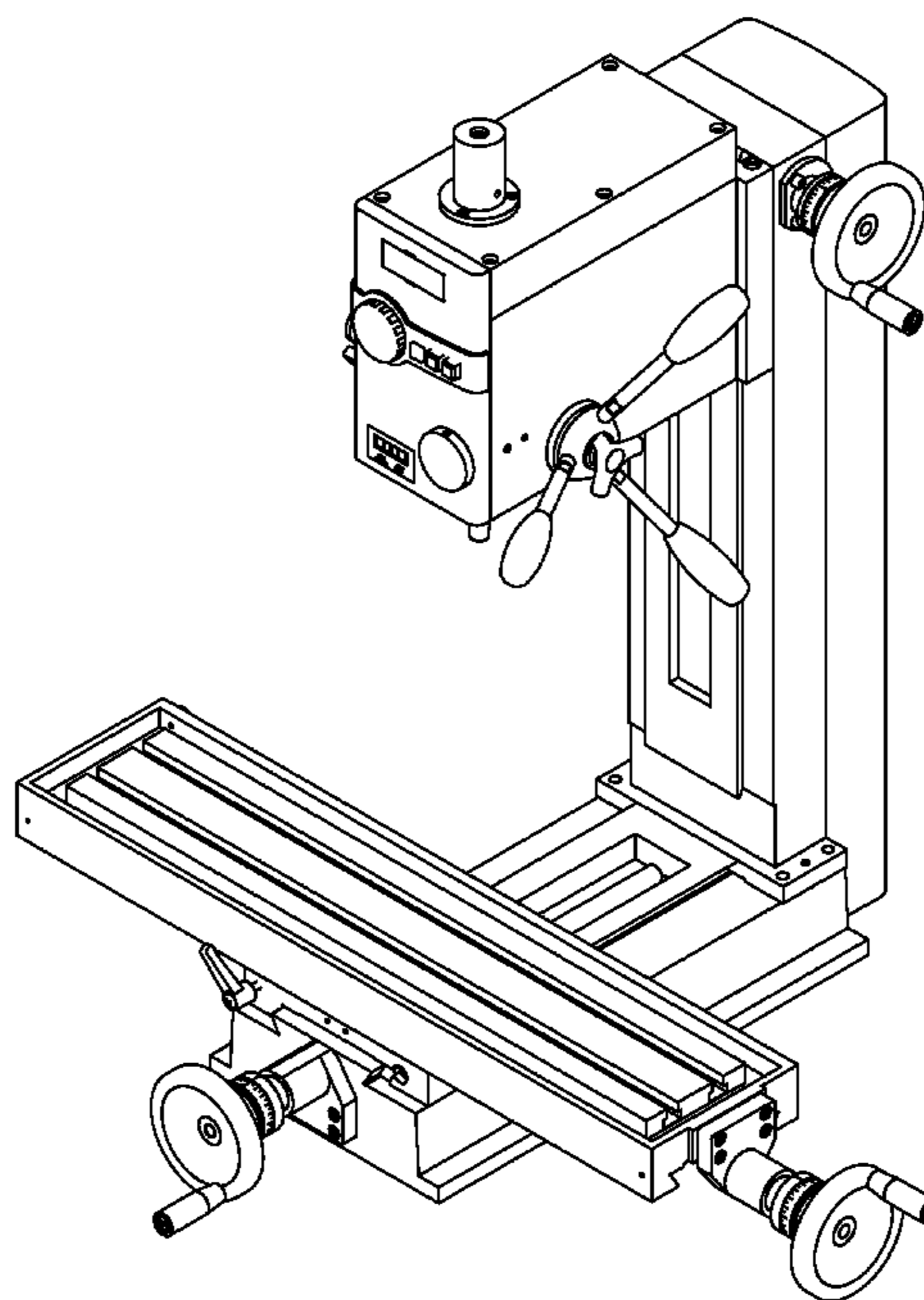
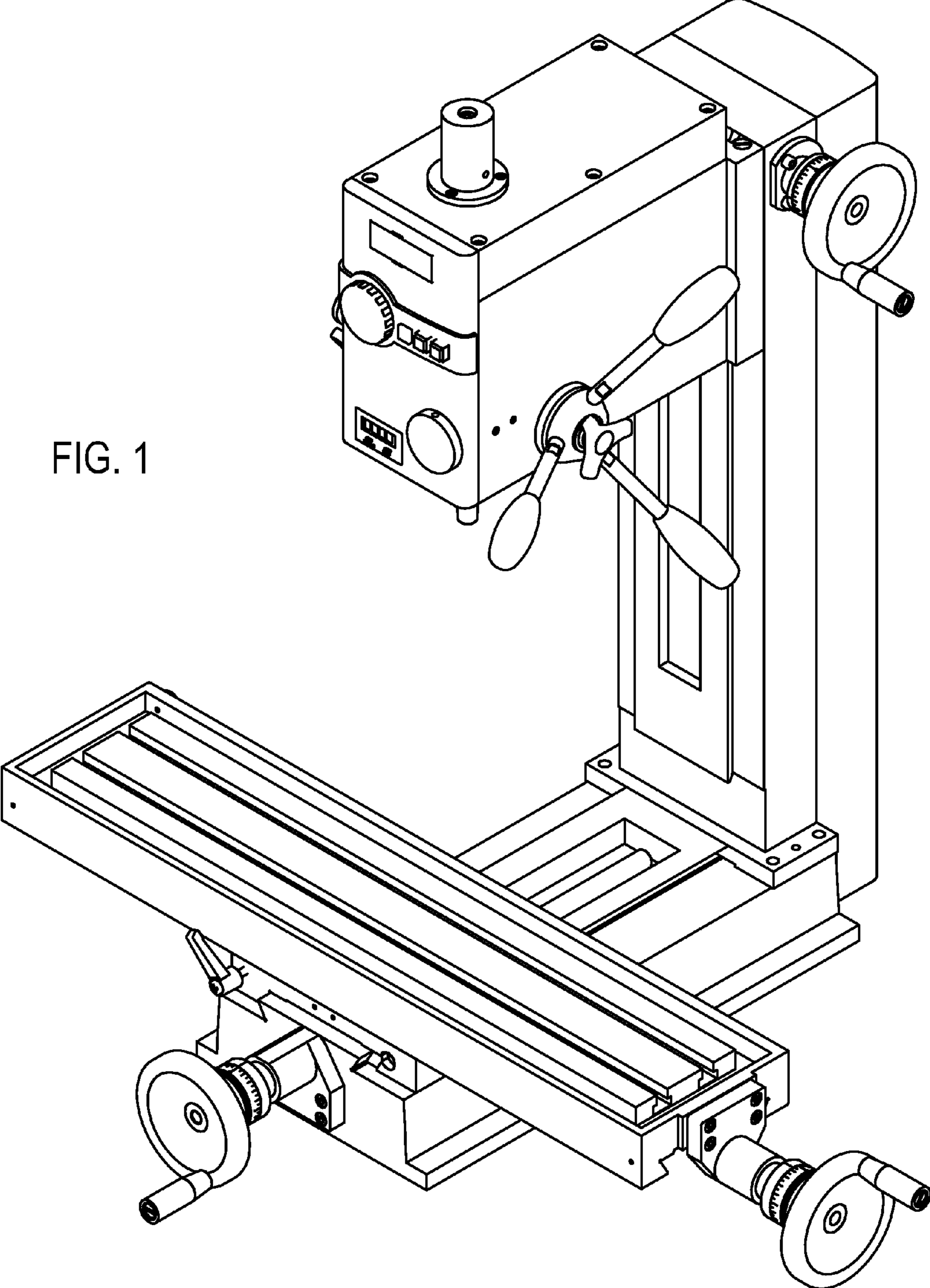


FIG. 1



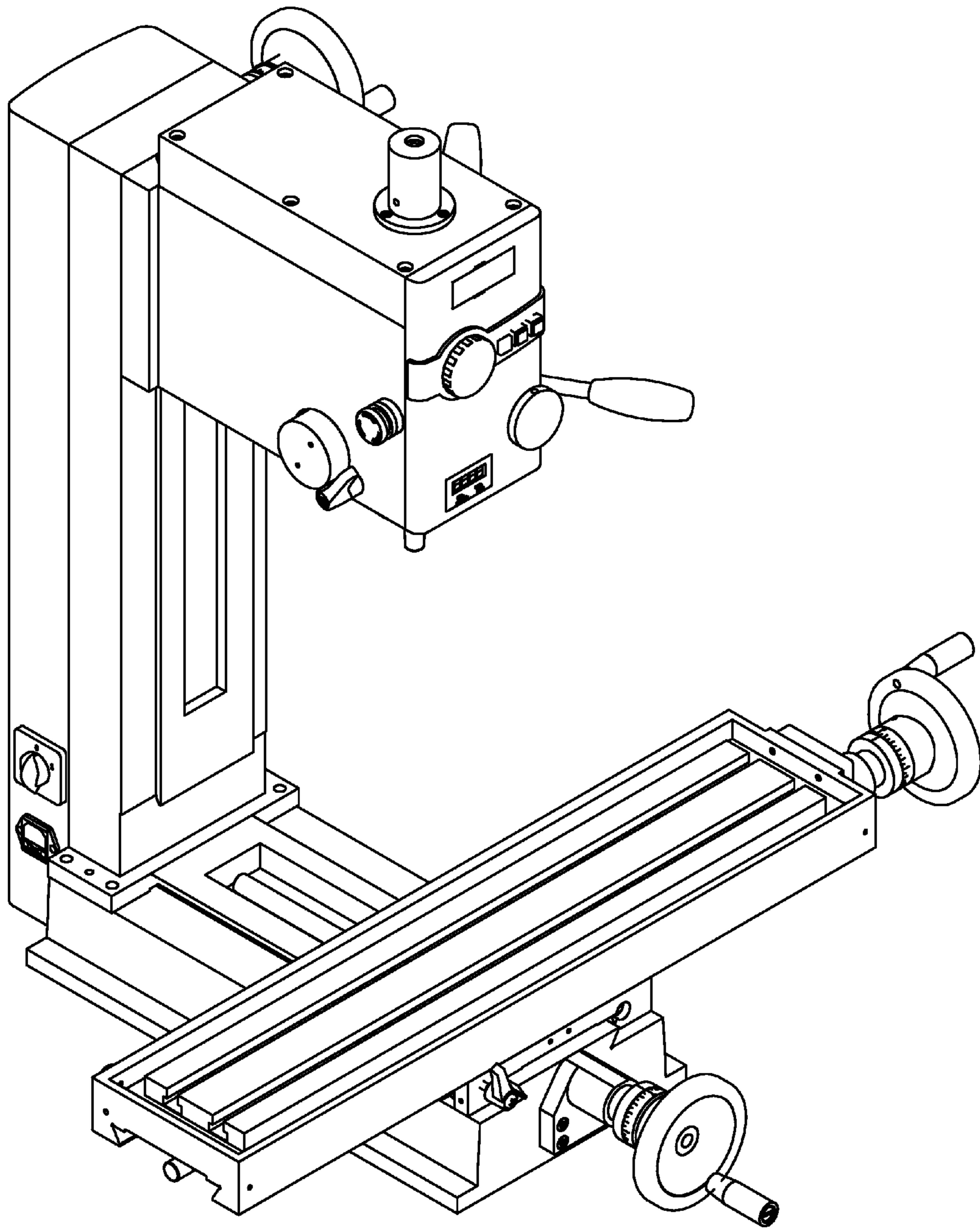
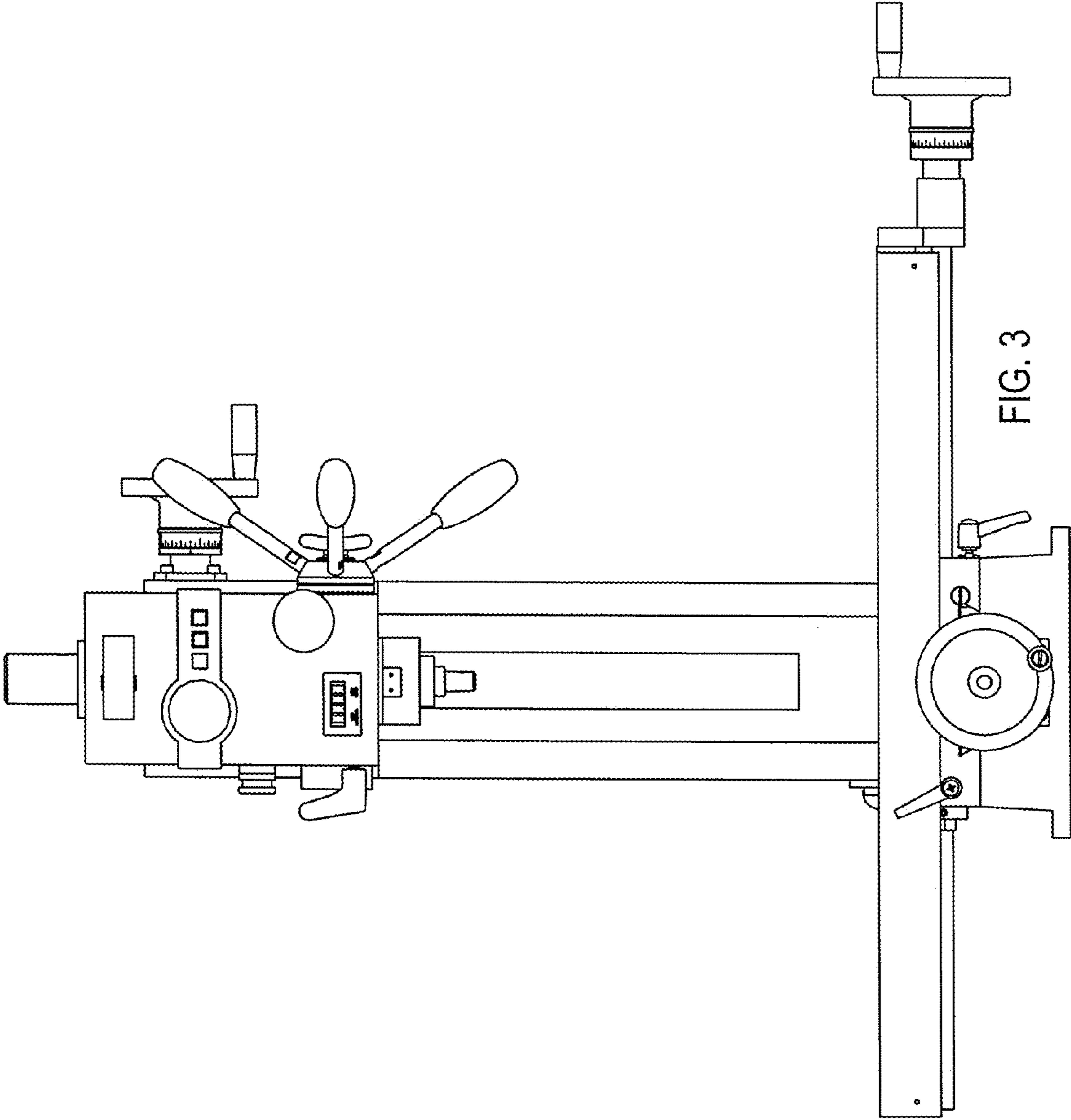
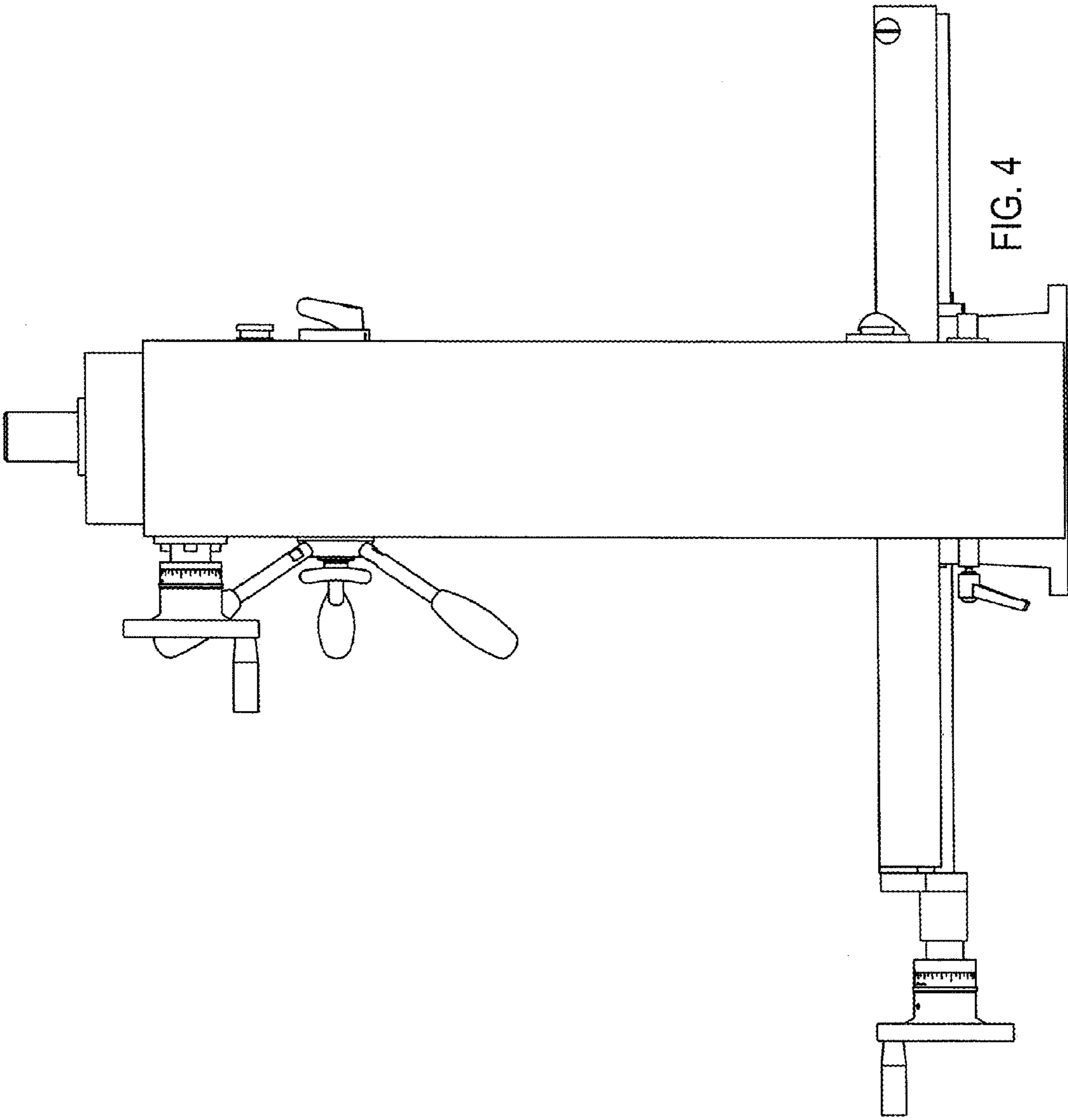


FIG. 2





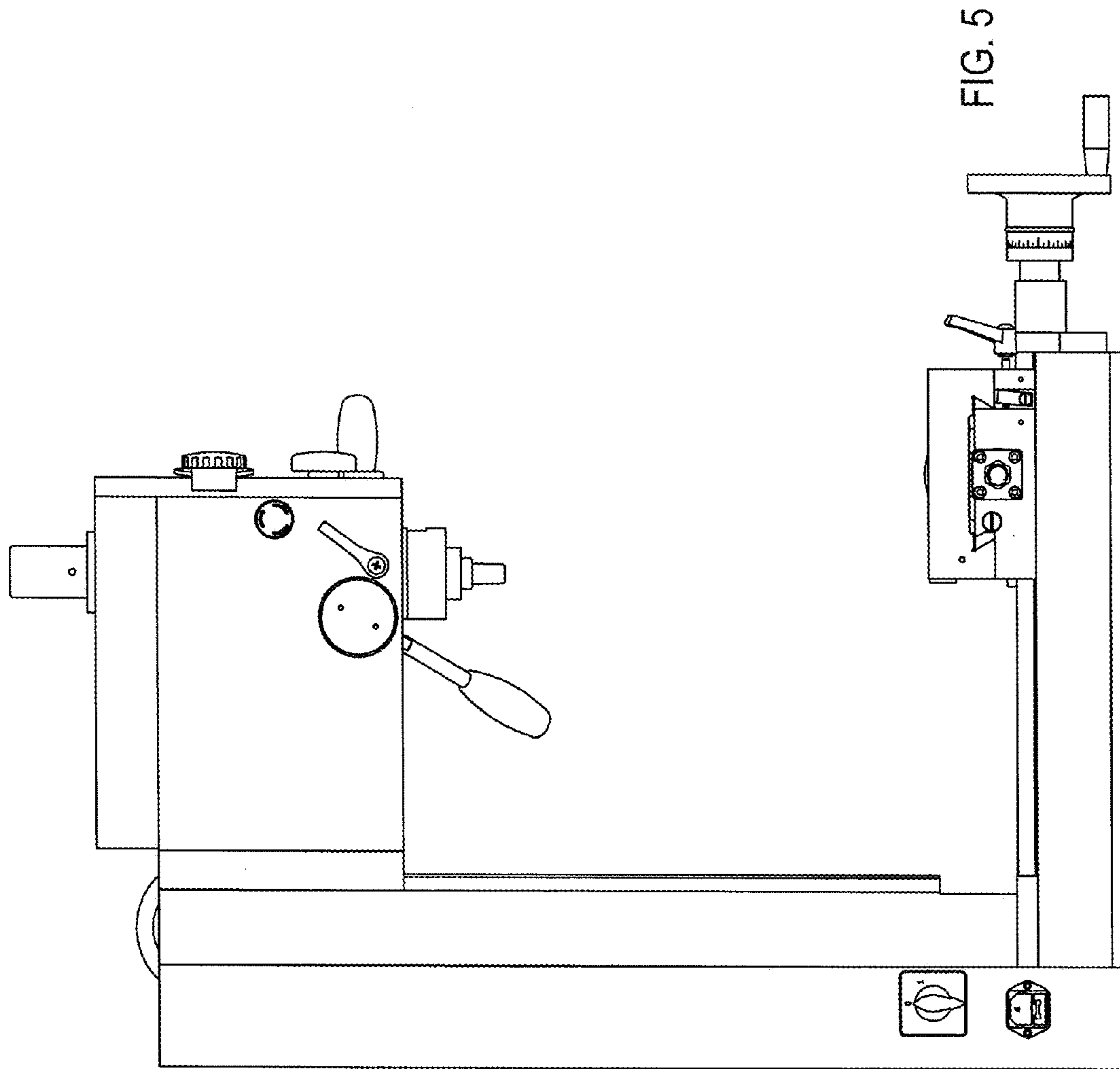
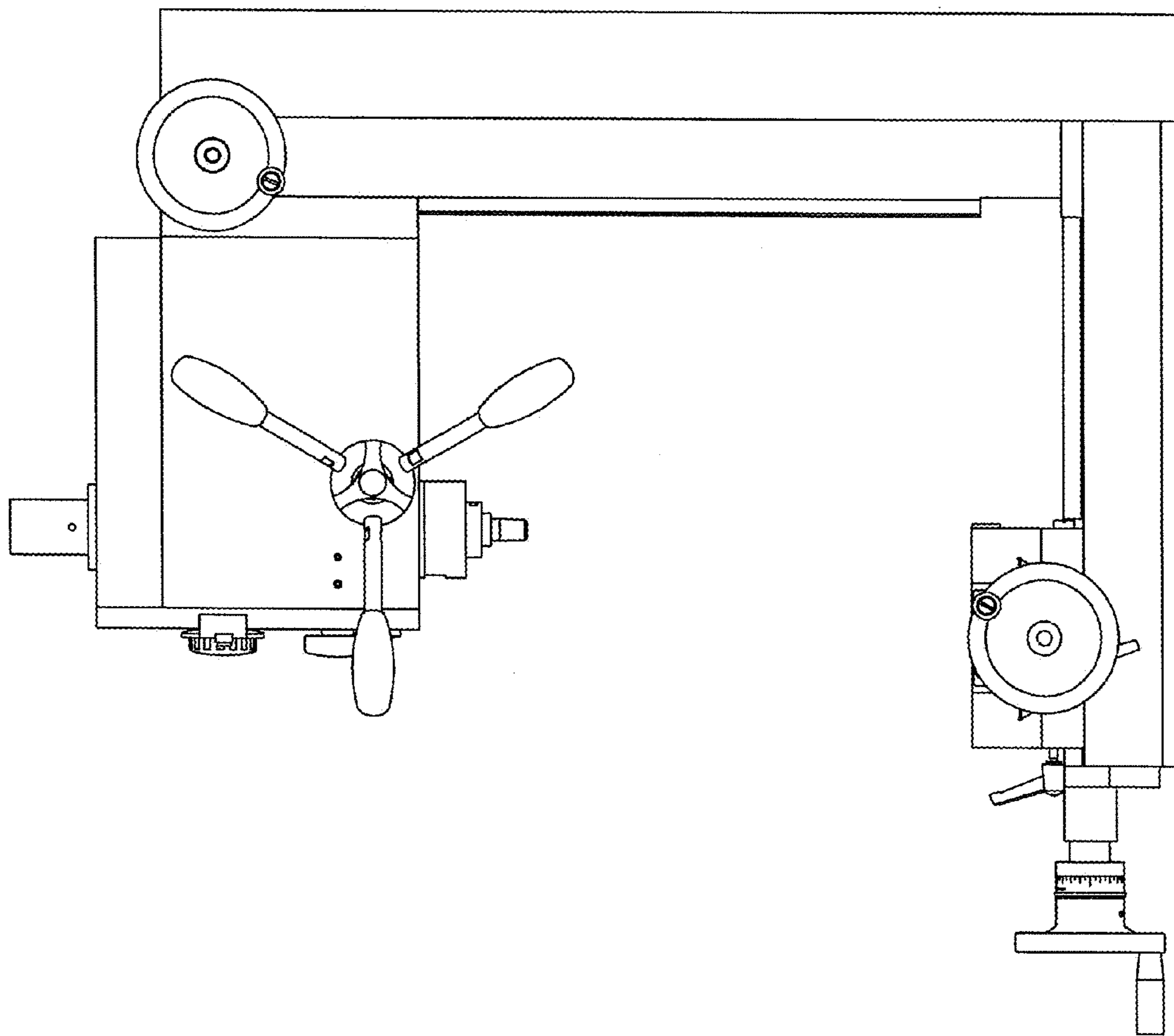


FIG. 6



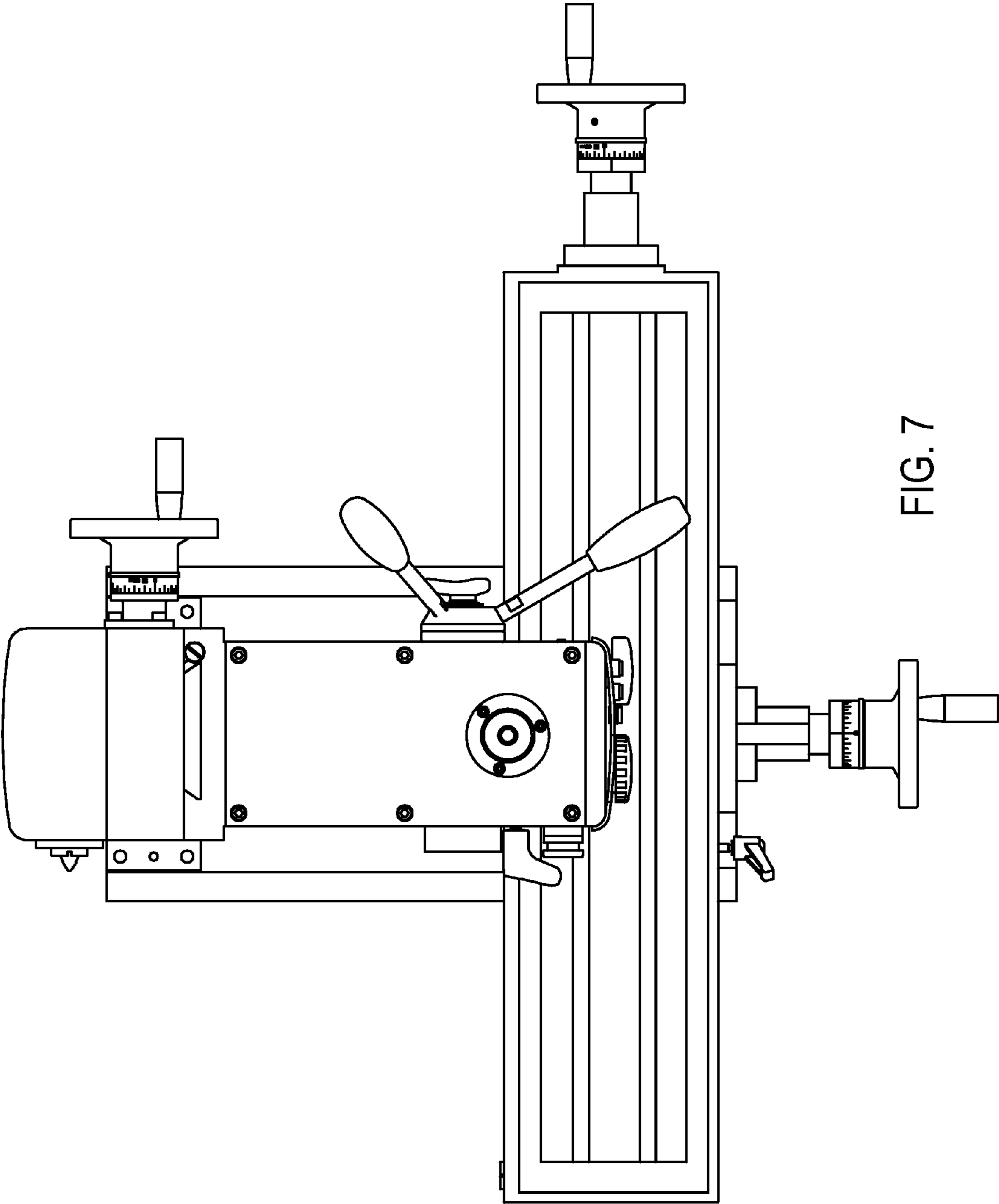


FIG. 7

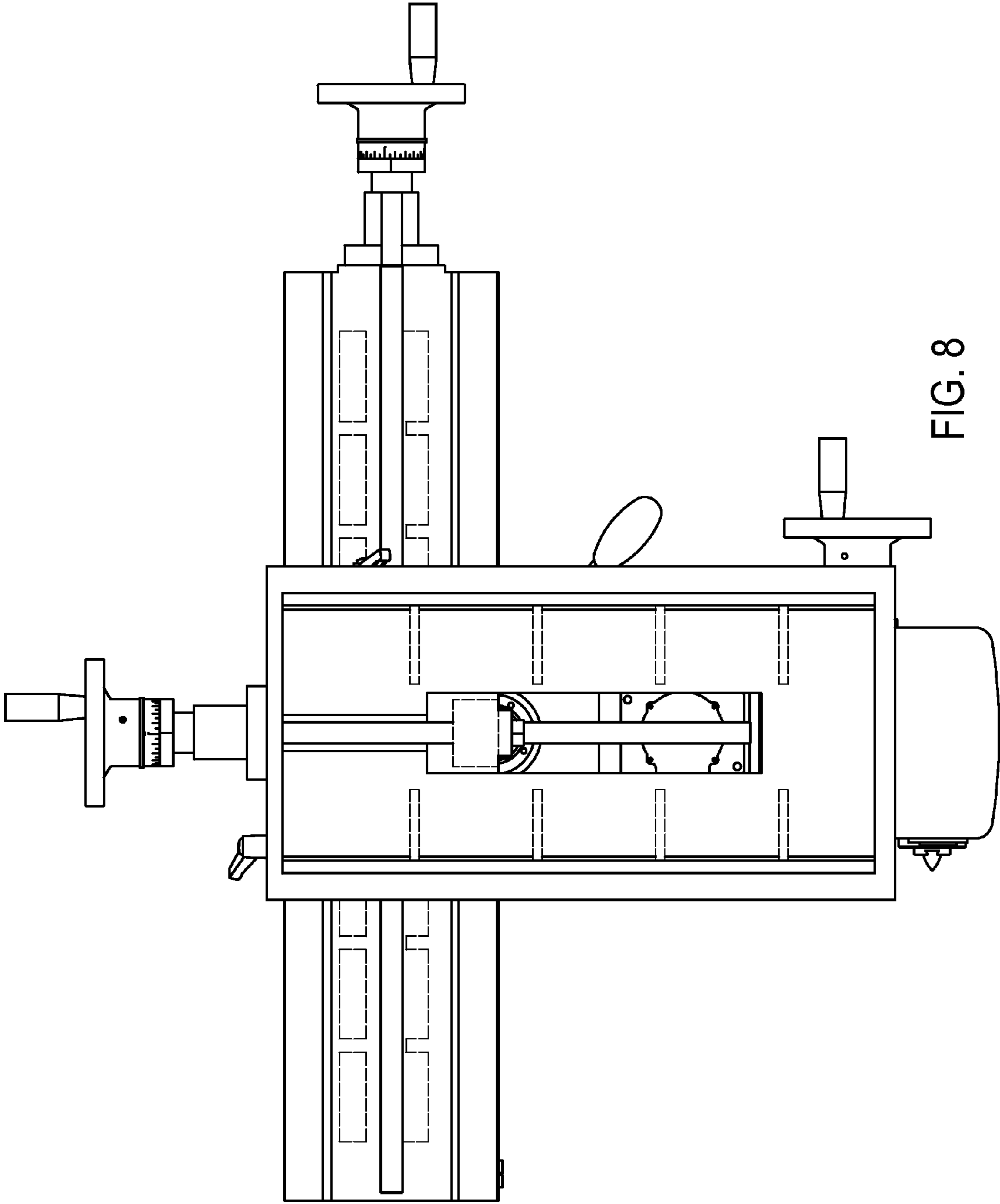


FIG. 8