



US00D732088S

(12) **United States Design Patent**
McConnell

(10) **Patent No.:** **US D732,088 S**
(45) **Date of Patent:** **** Jun. 16, 2015**

(54) **APPLIANCE CABINET INTERIOR LINER WITH COLOR**

(71) Applicant: **Whirlpool Corporation**, Benton Harbor, MI (US)

(72) Inventor: **Jessica McConnell**, St. Joseph, MI (US)

(73) Assignee: **Whirlpool Corporation**, Benton Harbor, MI (US)

(**) Term: **14 Years**

(21) Appl. No.: **29/450,128**

(22) Filed: **Mar. 15, 2013**

(51) **LOC (10) Cl.** **15-07**

(52) **U.S. Cl.**
USPC **D15/89**

(58) **Field of Classification Search**
USPC D15/79, 81, 84, 85, 86, 88, 89, 91
CPC F25D 2323/02; F25D 2323/021; F25D 2317/06; F25D 2317/062; F25D 2323/121; F25D 2323/122; F25D 2331/806; F25D 2400/36; F25D 13/02; F25D 13/04; F25D 11/02; F25D 11/025
See application file for complete search history.

(56) **References Cited**

U.S. PATENT DOCUMENTS

D508,249 S *	8/2005	Seok et al.	D15/86
D511,177 S *	11/2005	Jackovin et al.	D15/89
D511,179 S *	11/2005	Tunzi	D15/89
D518,832 S *	4/2006	Park et al.	D15/85
D616,001 S	5/2010	Yang et al.		
D629,819 S *	12/2010	Placke et al.	D15/89
D639,315 S *	6/2011	Yang et al.	D15/85
D647,927 S *	11/2011	Lee et al.	D15/85
D654,515 S *	2/2012	Hwang et al.	D15/85
D655,321 S *	3/2012	Lee et al.	D15/86
D658,214 S	4/2012	Seo et al.		
D668,696 S	10/2012	Seo et al.		
D671,151 S	11/2012	Seo et al.		
D671,572 S	11/2012	Seo et al.		
D674,417 S	1/2013	Seo et al.		

D685,010 S	6/2013	Seo et al.		
D707,735 S *	6/2014	Cho et al.	D15/91
D710,401 S *	8/2014	Ringemann et al.	D15/85
D710,402 S *	8/2014	Jeon et al.	D15/86
D716,851 S *	11/2014	Seo et al.	D15/89
D718,346 S *	11/2014	Cho et al.	D15/81
D718,349 S *	11/2014	Cho et al.	D15/85

* cited by examiner

Primary Examiner — Ian Simmons
Assistant Examiner — Khawaja Anwar

(57) **CLAIM**

I claim the ornamental design for a appliance cabinet interior liner with color, as shown.

DESCRIPTION

FIG. 1 is a perspective view of the outside of a refrigerator of the present invention;
 FIG. 2 is a front plan view of the outside of a refrigerator of the present invention;
 FIG. 3 is a right side plan view of the outside of a refrigerator of the present invention;
 FIG. 4 is a top plan view of the outside of a refrigerator of the present invention;
 FIG. 5 is a bottom plan view of the outside of a refrigerator of the present invention;
 FIG. 6 is a front perspective view with the cabinet doors open of the present invention;
 FIG. 7 is a front plan view of the cabinet interior of the present invention;
 FIG. 8 is a perspective view of the right side of the cabinet interior of the present invention;
 FIG. 9 is a perspective view of the left side of the cabinet interior of the present invention;
 FIG. 10 is a perspective view of the right door of the present invention;
 FIG. 11 is a plan view of the right door of the present invention;
 FIG. 12 is a perspective view of the left door of the present invention;
 FIG. 13 is a plan view of the left door of the present invention;
 FIG. 14 is a front perspective view with the cabinet doors and freezer drawer open of the present invention;

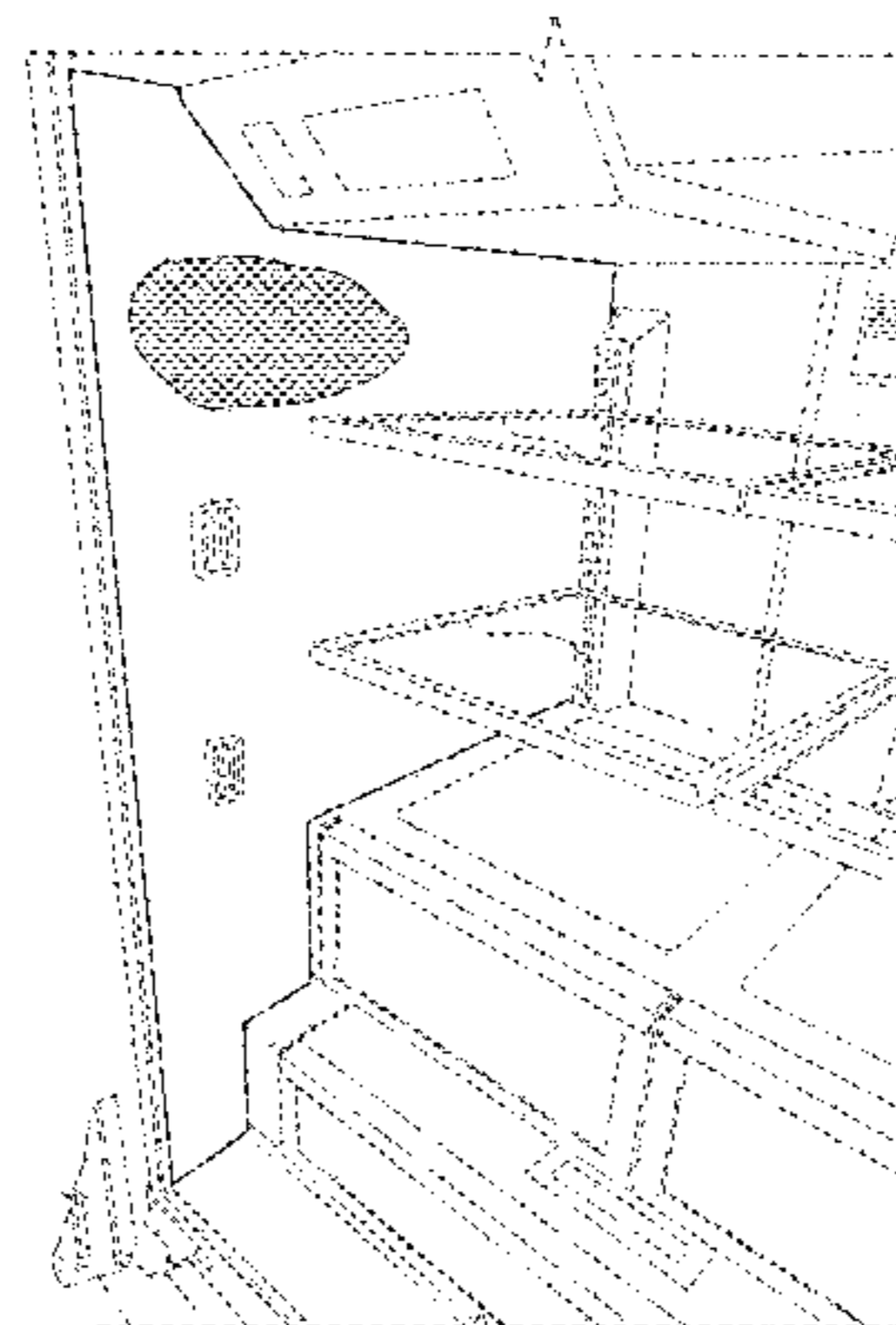
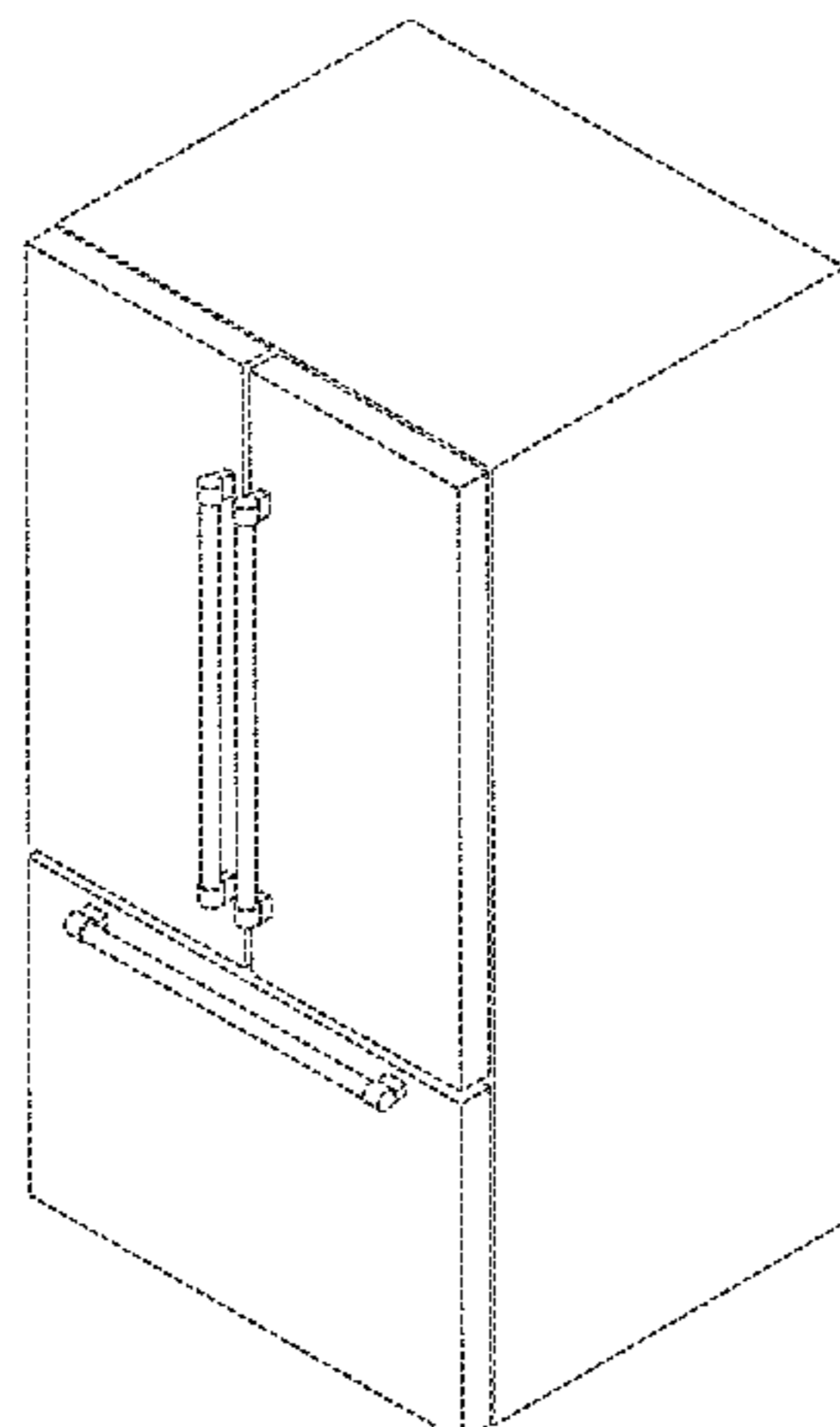


FIG. 15 is a perspective view of the interior of the freezer of the present invention of the present invention;

FIG. 16 is a perspective view of the outside of a refrigerator of an alternative embodiment of the present invention;

FIG. 17 is a front plan view of the outside of a refrigerator of an alternative embodiment of the present invention;

FIG. 18 is a right side plan view of the outside of a refrigerator of an alternative embodiment of the present invention;

FIG. 19 is a top plan view of the outside of a refrigerator of an alternative embodiment of the present invention;

FIG. 20 is a bottom plan view of the outside of a refrigerator of an alternative embodiment of the present invention;

FIG. 21 is a front perspective view with the cabinet doors open of an alternative embodiment of the present invention;

FIG. 22 is a front plan view of the cabinet interior of an alternative embodiment of the present invention;

FIG. 23 is a perspective view of the right side of the cabinet interior of an alternative embodiment of the present invention;

FIG. 24 is a perspective view of the left side of the cabinet interior of an alternative embodiment of the present invention;

FIG. 25 is a perspective view of the right door of an alternative embodiment of the present invention;

FIG. 26 is a plan view of the right door of an alternative embodiment of the present invention;

FIG. 27 is a perspective view of the left door of an alternative embodiment of the present invention;

FIG. 28 is a plan view of the left door of an alternative embodiment of the present invention;

FIG. 29 is a front perspective view with the cabinet doors and freezer drawer open of an alternative embodiment of the present invention; and,

FIG. 30 is a perspective view of the interior of the freezer of an alternative embodiment of the present invention;

The broken lines in the figures are for contextual purposes or show the environment and form no part of the claimed design.

The shaded portions within the dot-dash-dot-dash lines on the cabinet liner of the appliance represent the color silver, where the color silver has the following color characteristics according to the CIELAB System:

25 degree angle L 75.18 a +0.21 b +2.70

45 degree angle L 59.40 a -1.59 b -2.33

75 degree angle L 49.36 a -2.96 b -5.82.

1 Claim, 28 Drawing Sheets

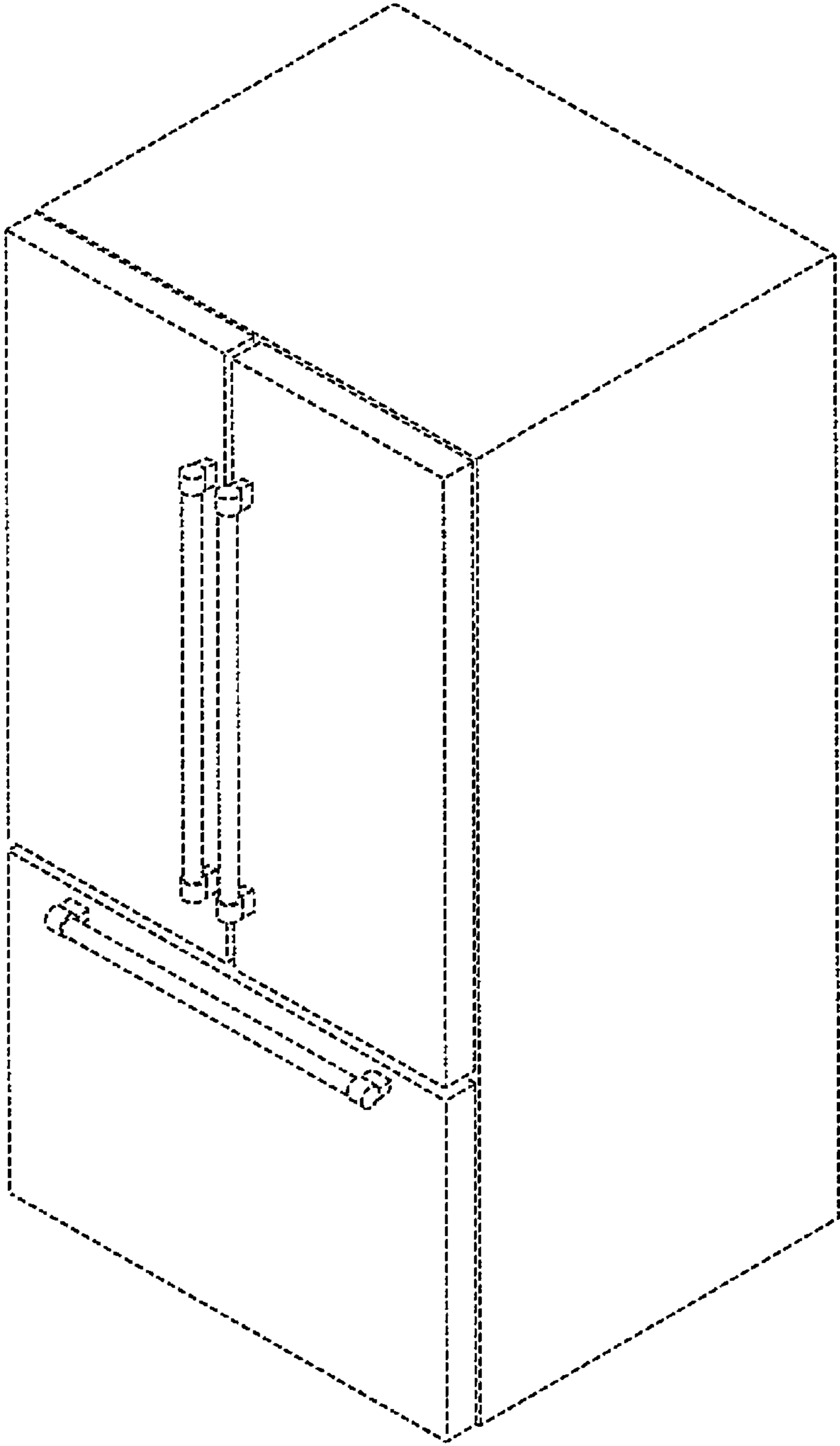


FIG. 1

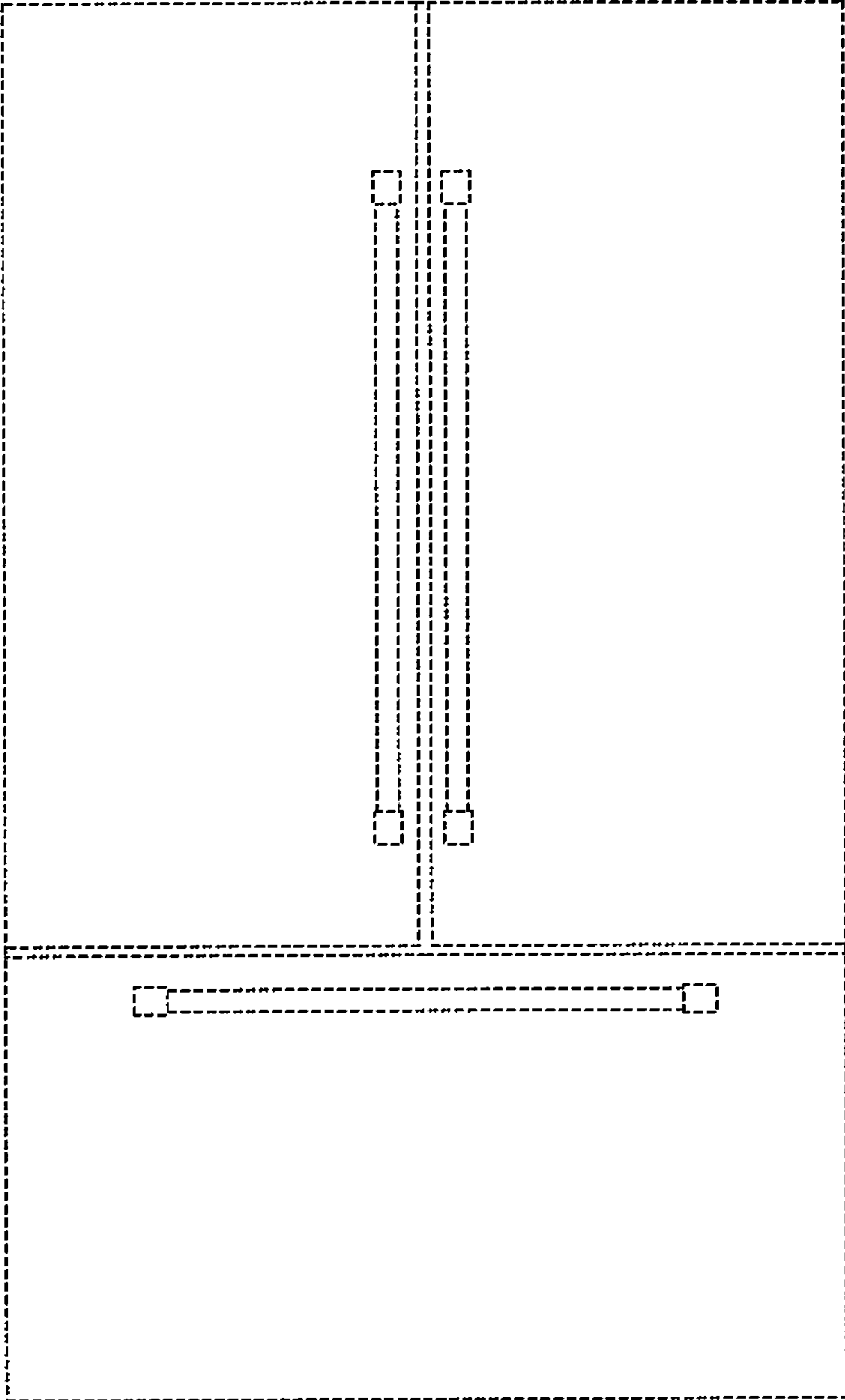


FIG. 2

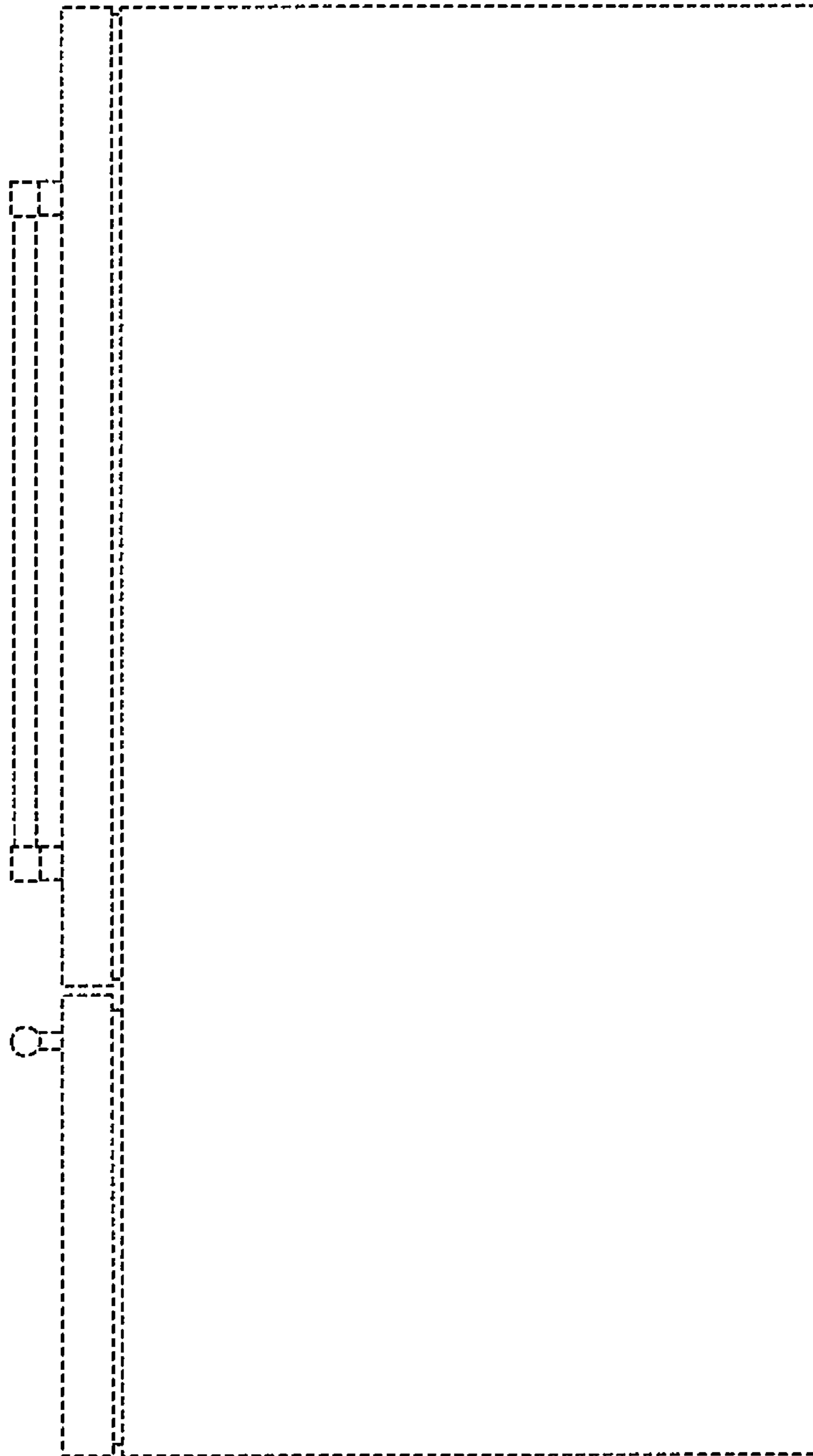


FIG. 3

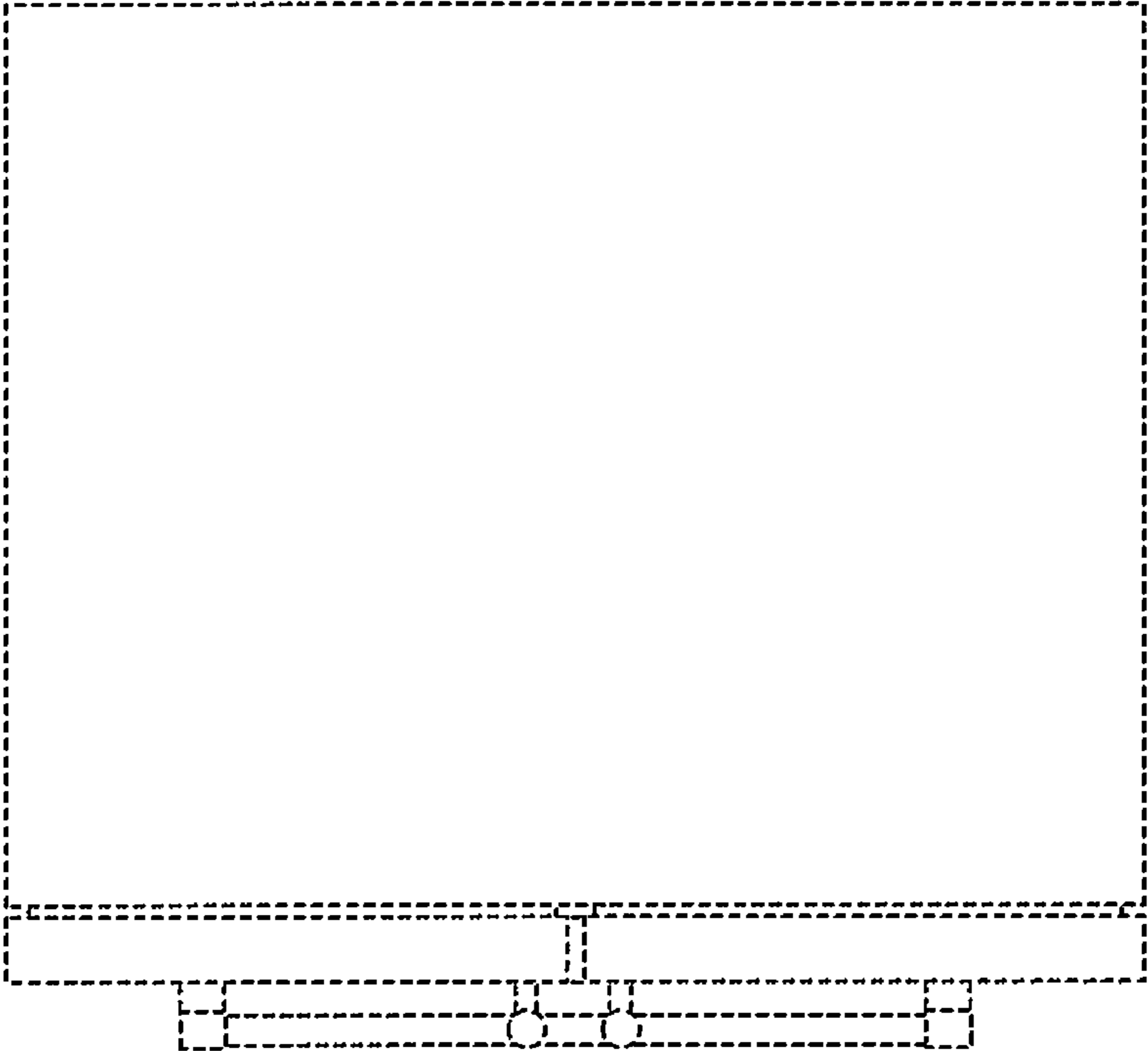


FIG. 4

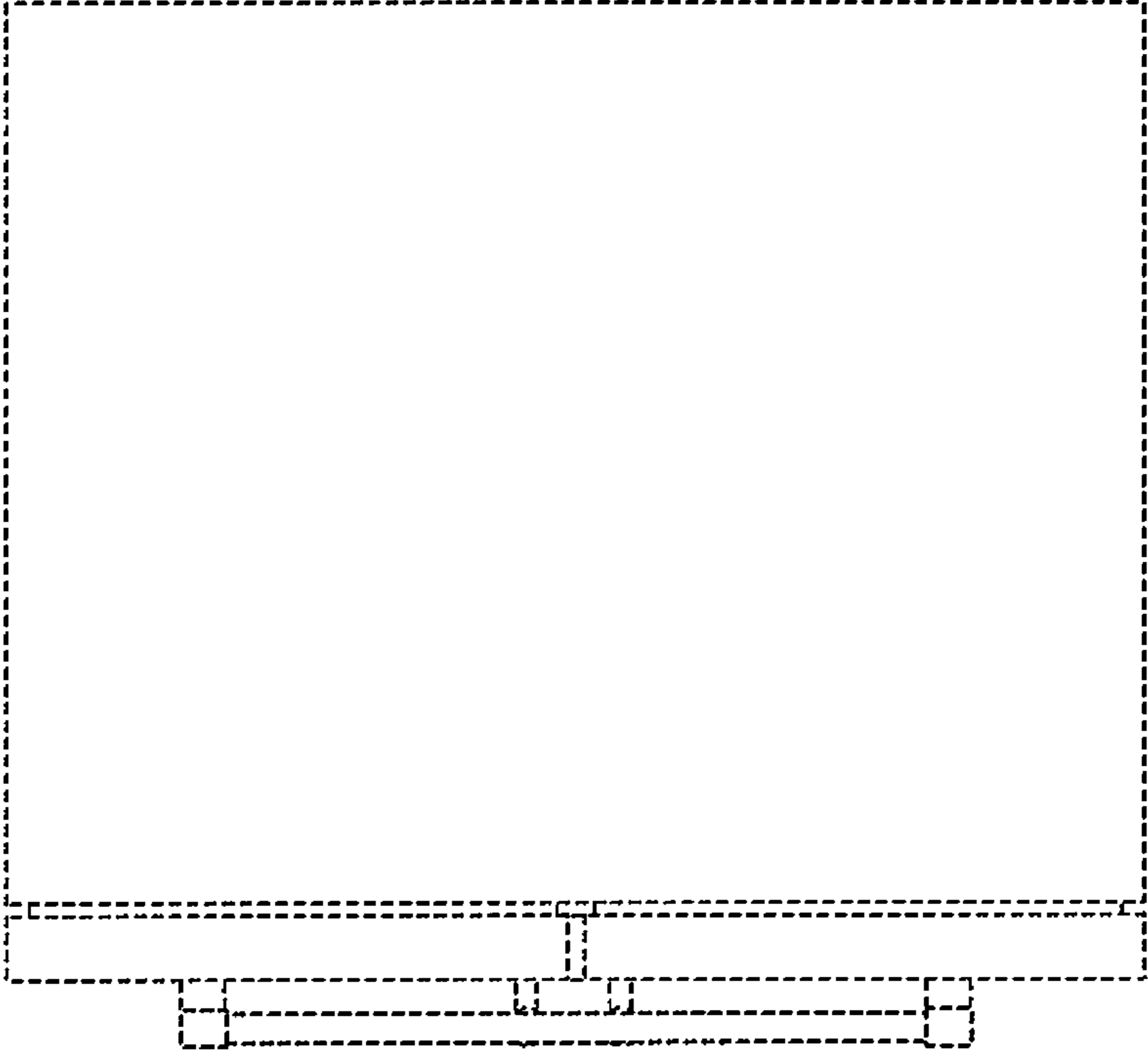


FIG. 5

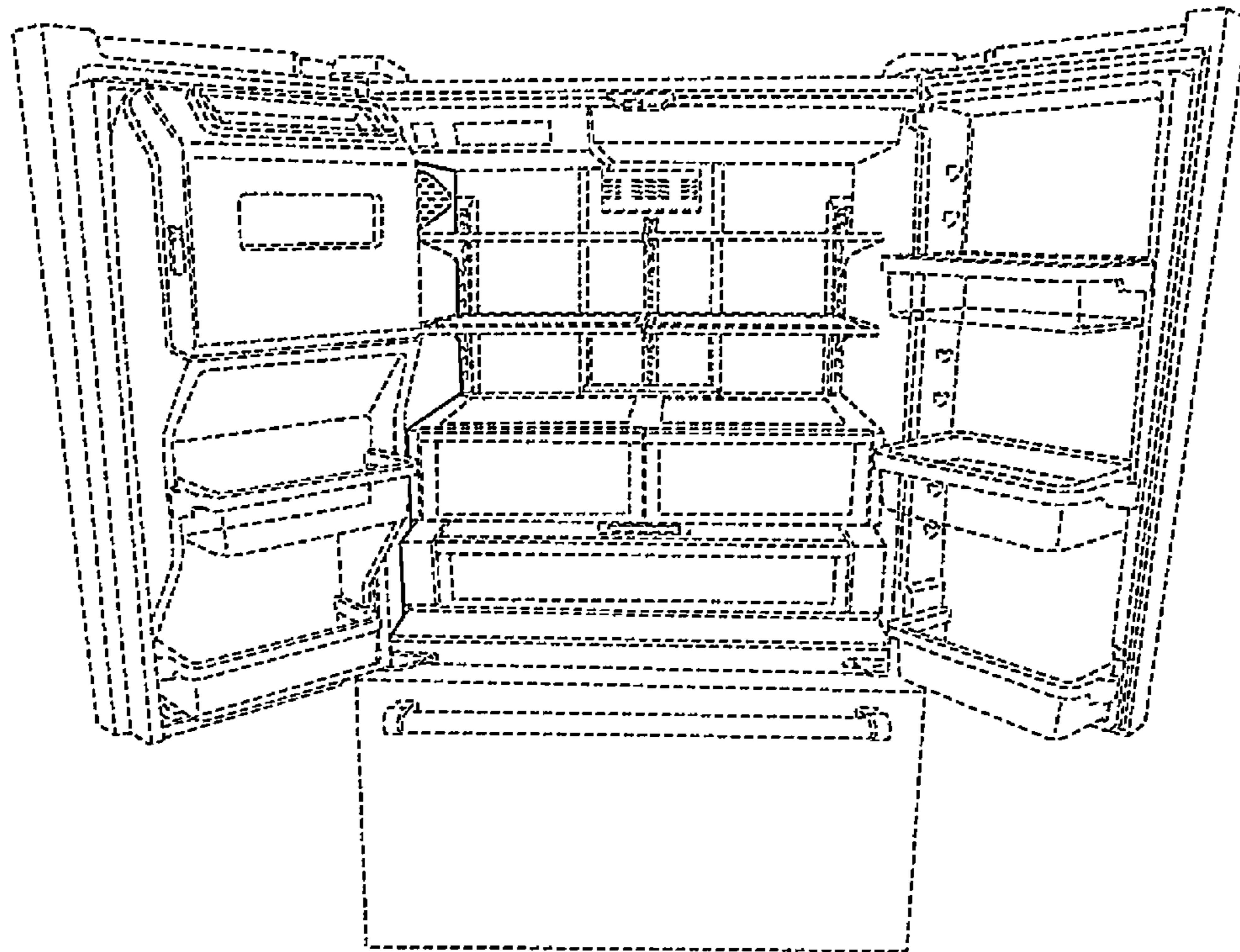


FIG. 6

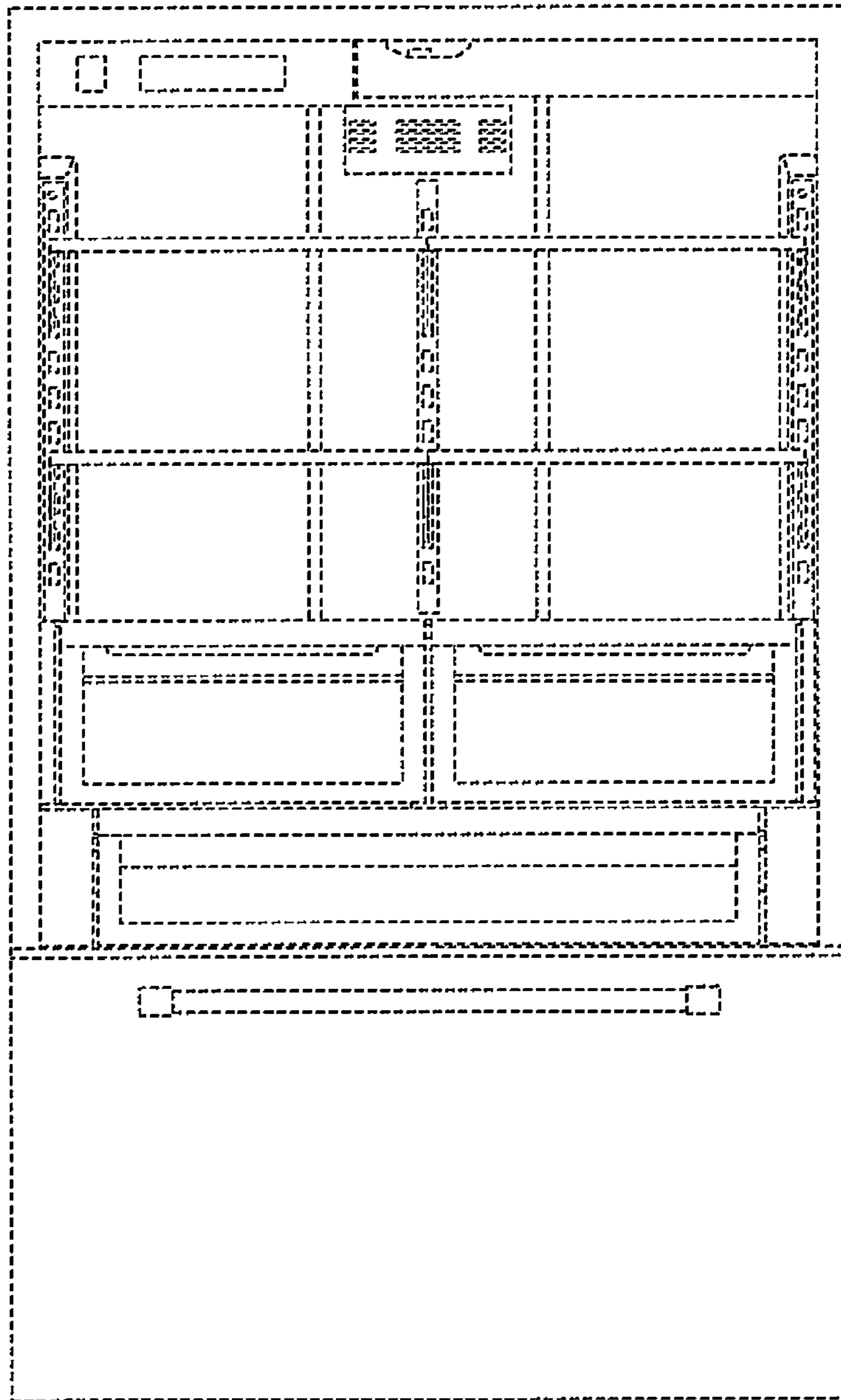


FIG. 7

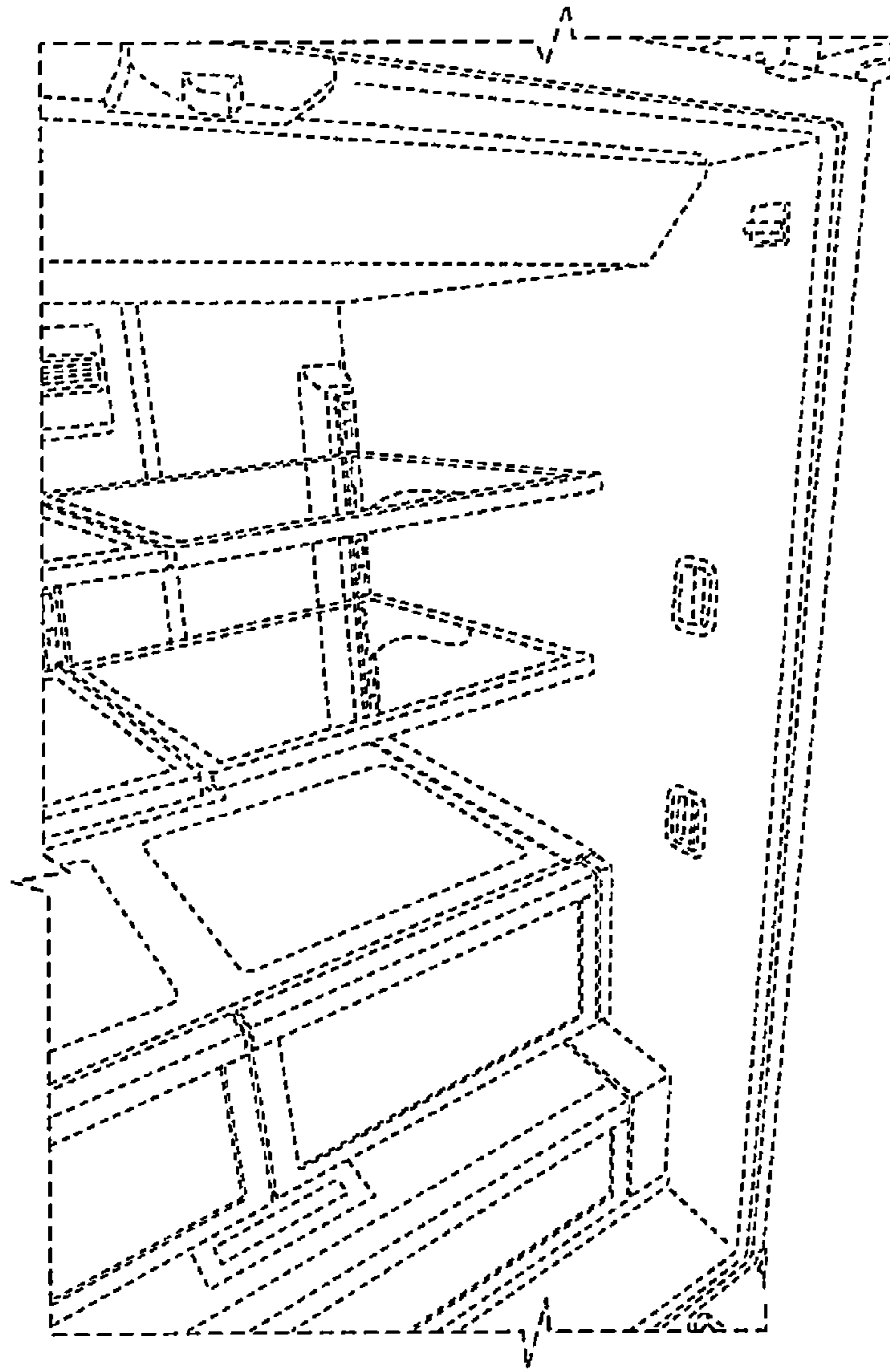


FIG. 8

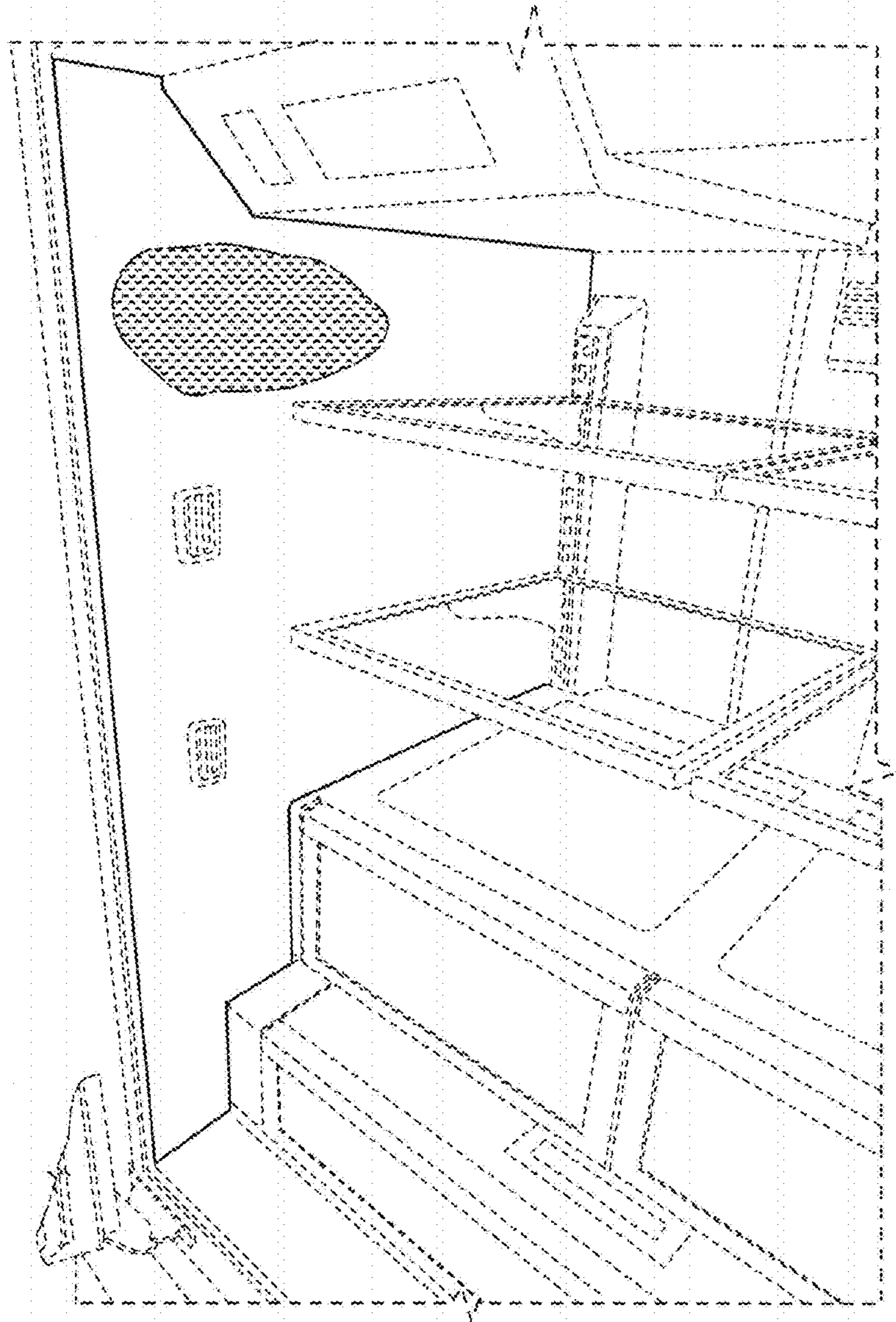


FIG. 9

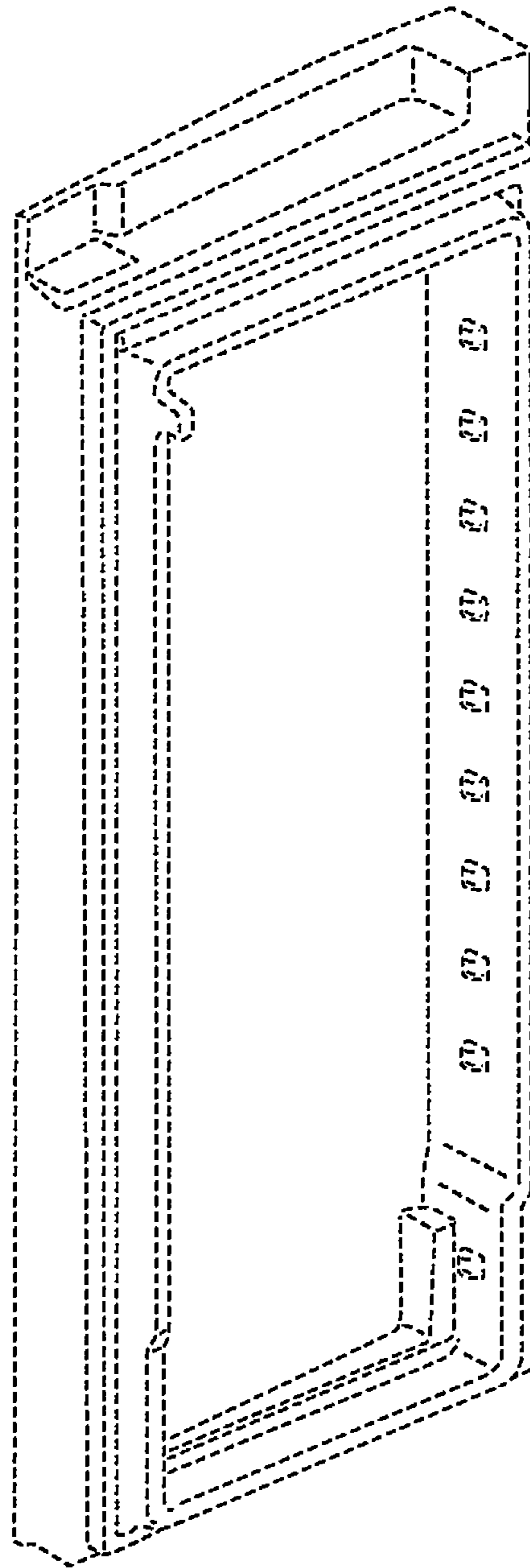


FIG. 10

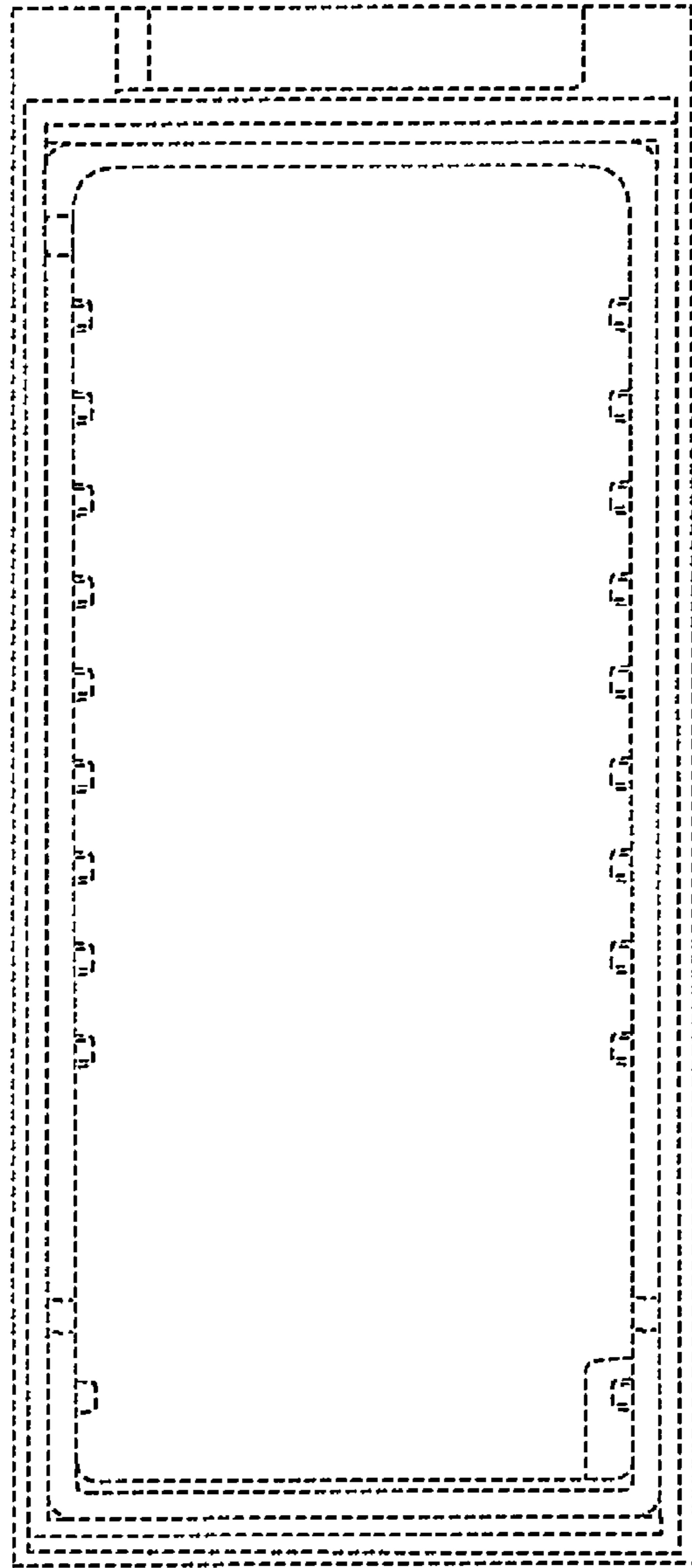


FIG. 11

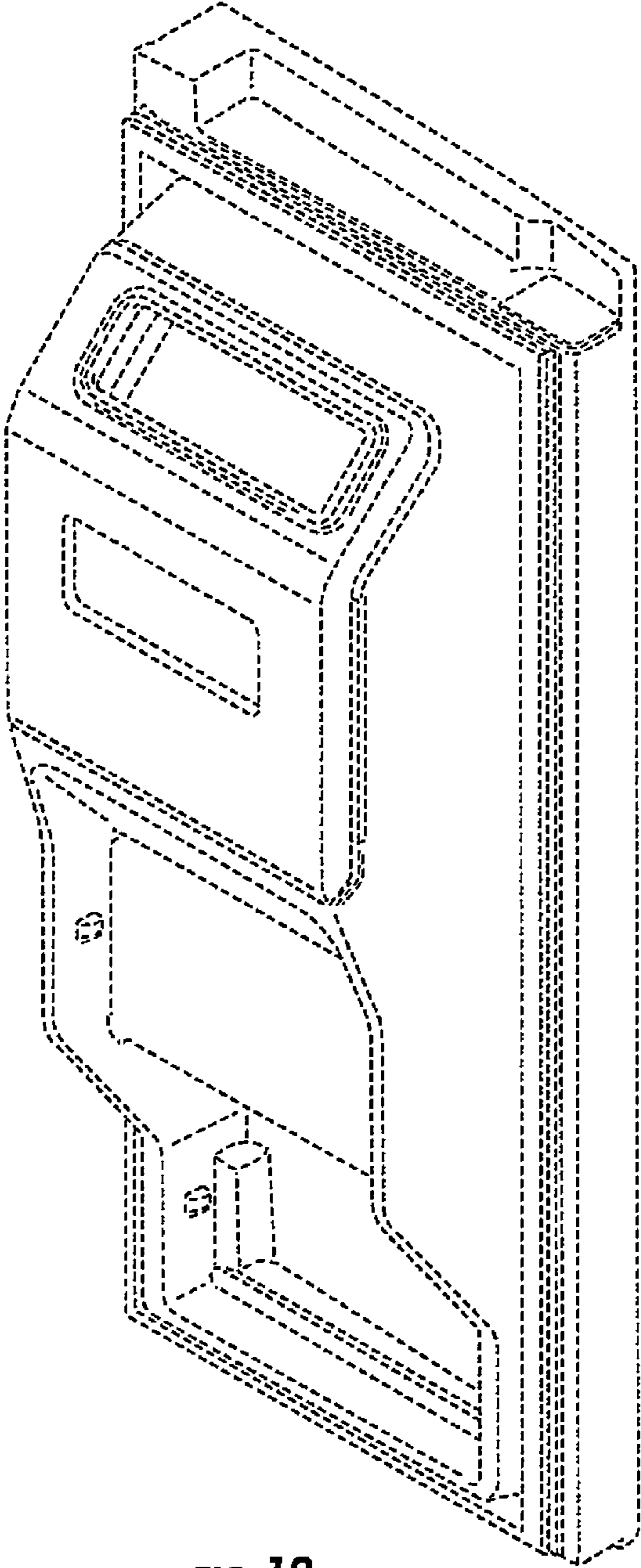


FIG. 12

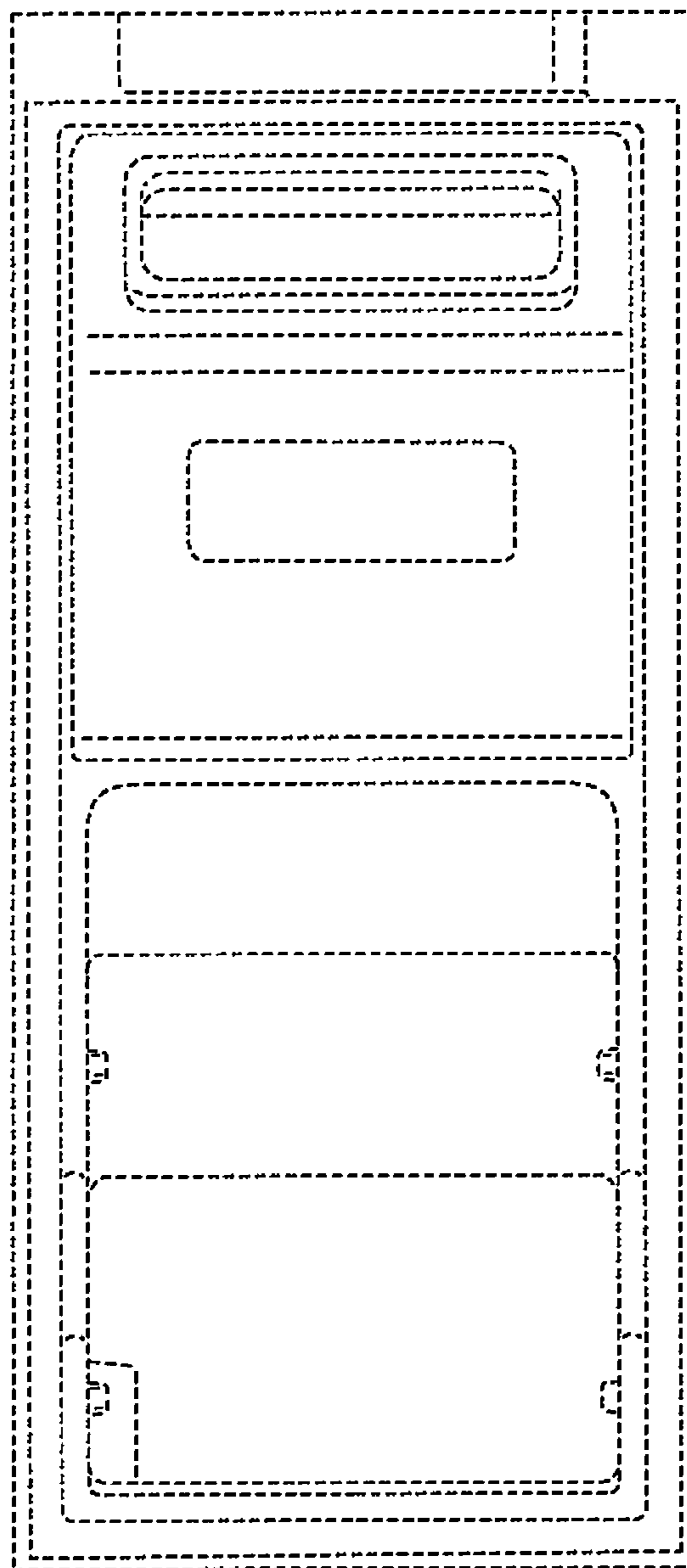


FIG. 13

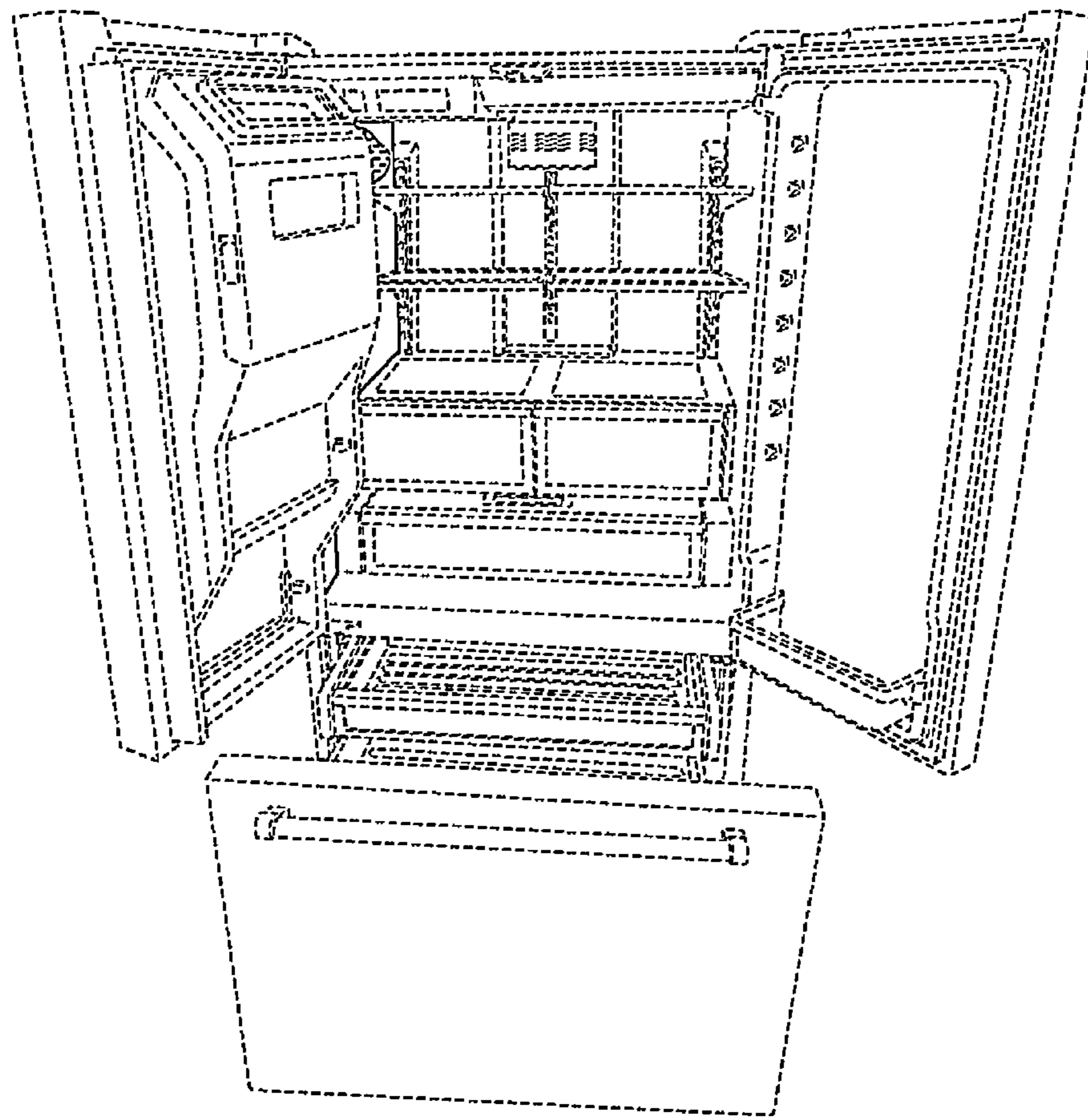


FIG. 14

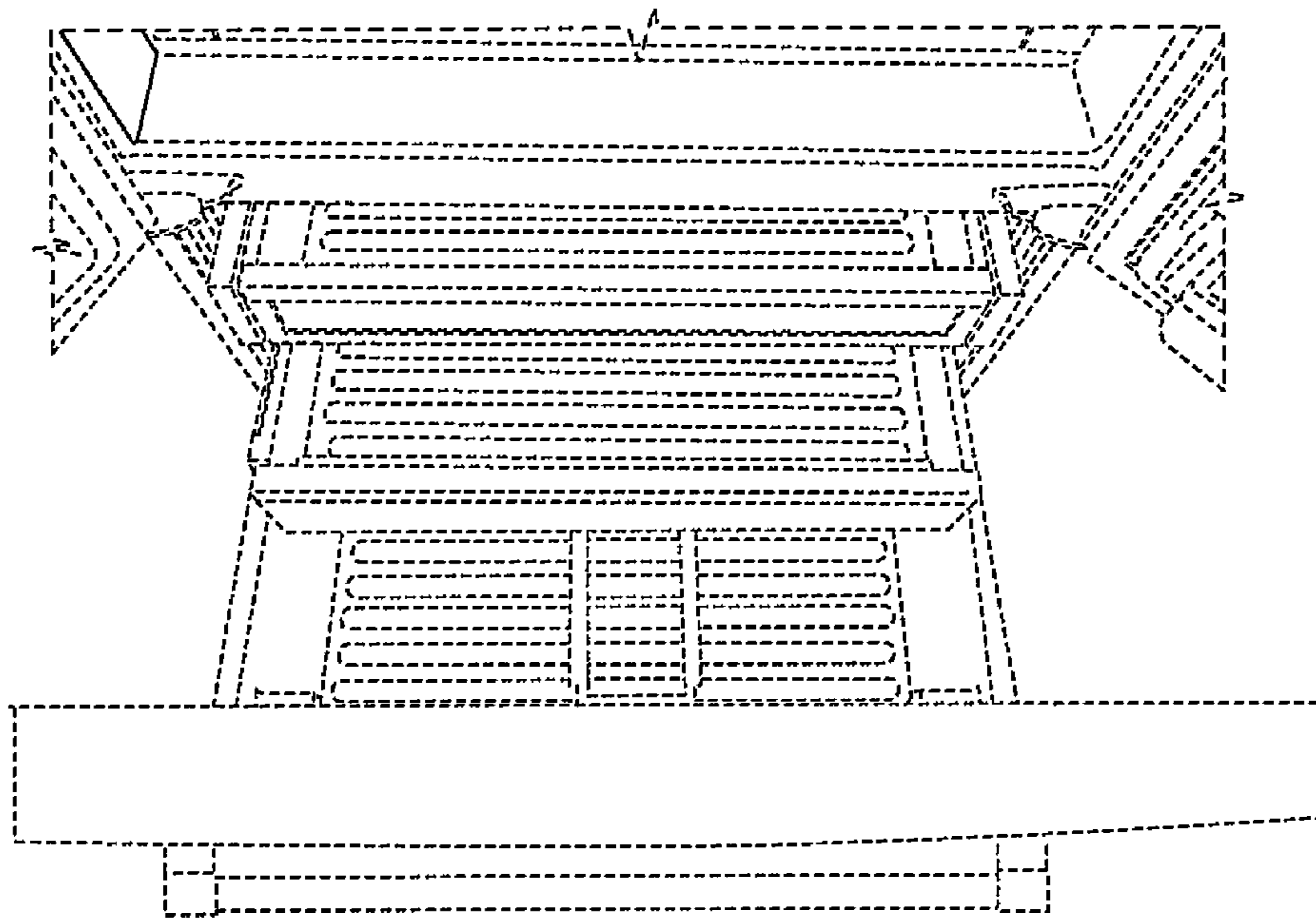


FIG. 15

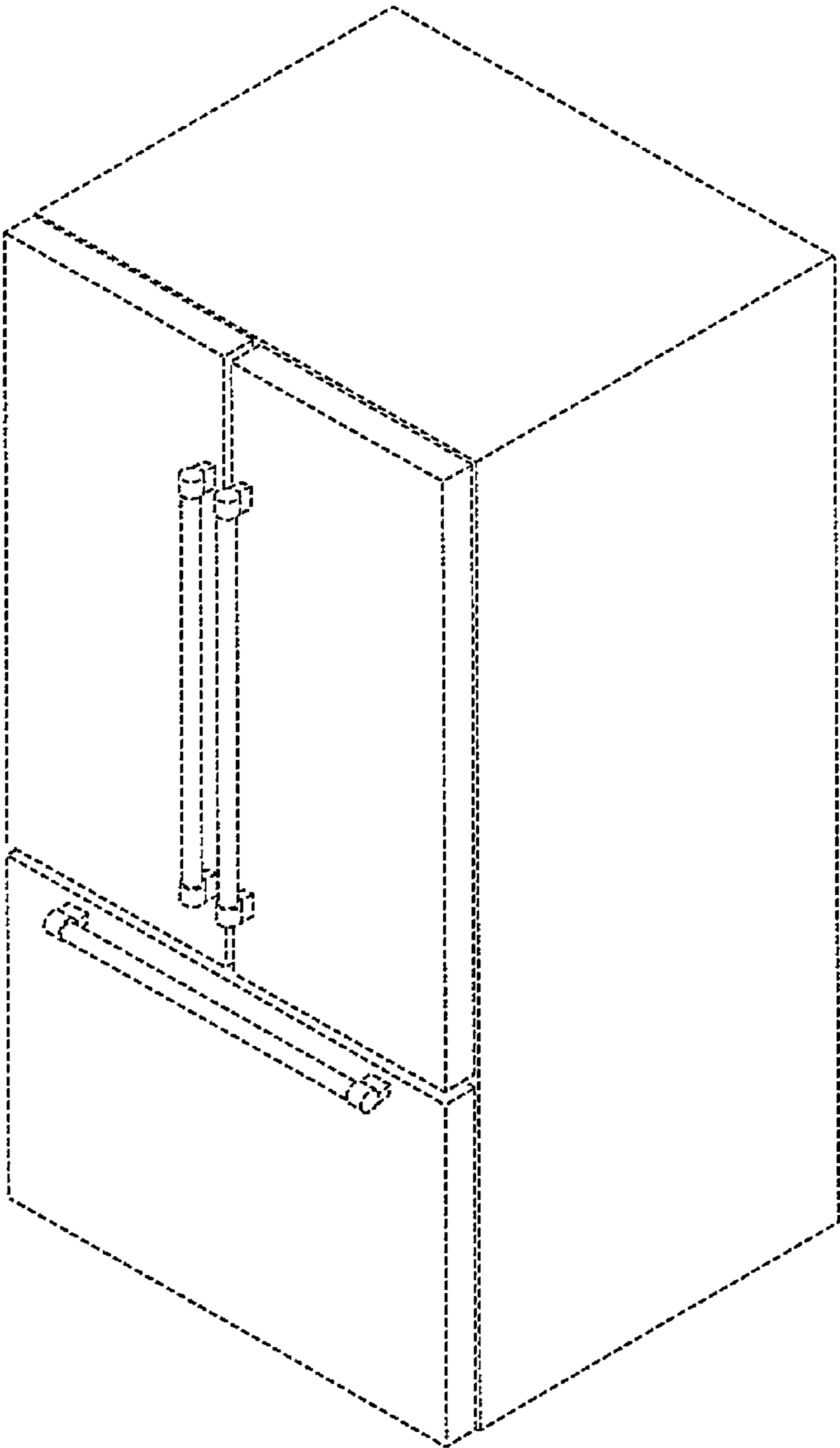


FIG. 16

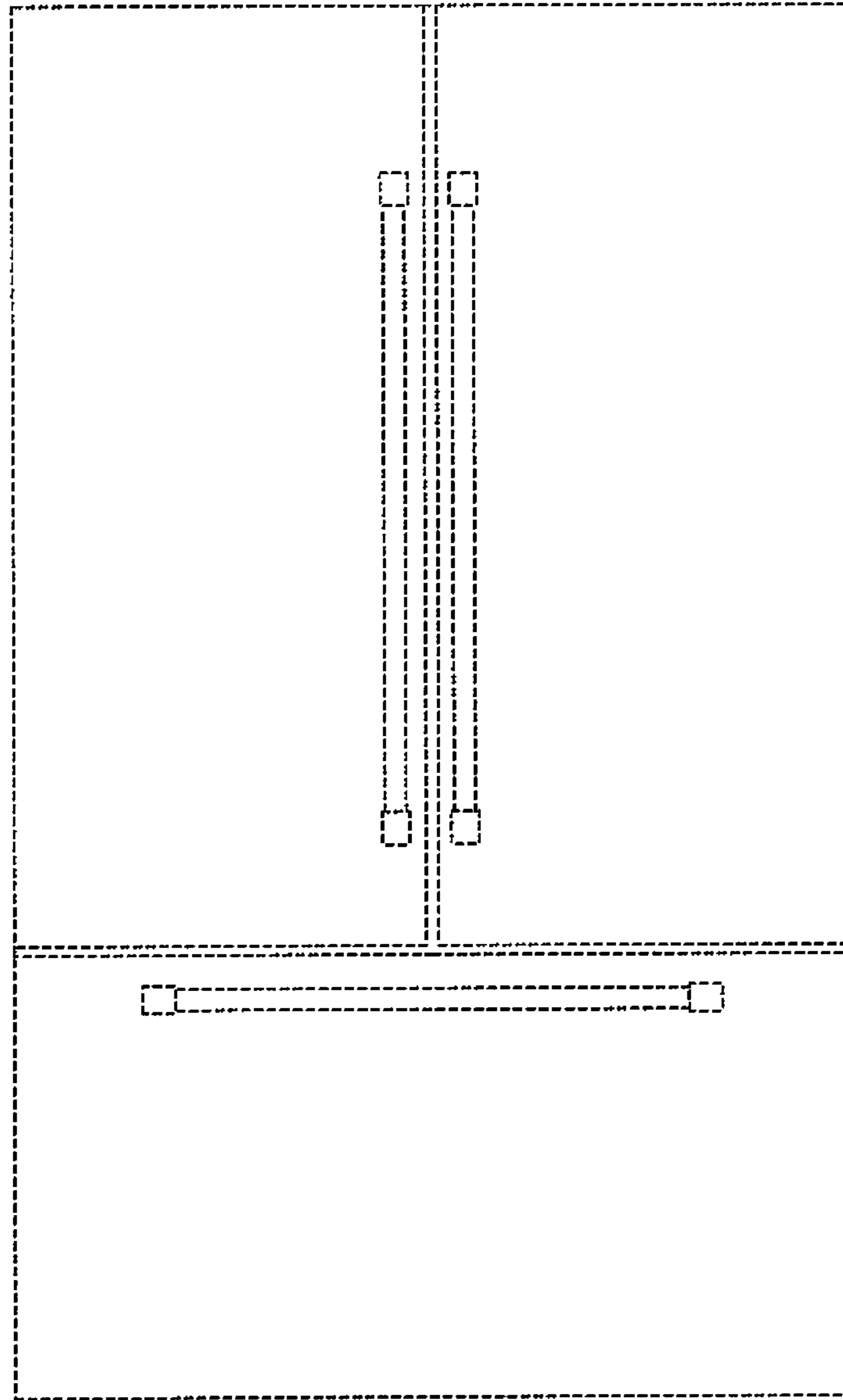


FIG. 17

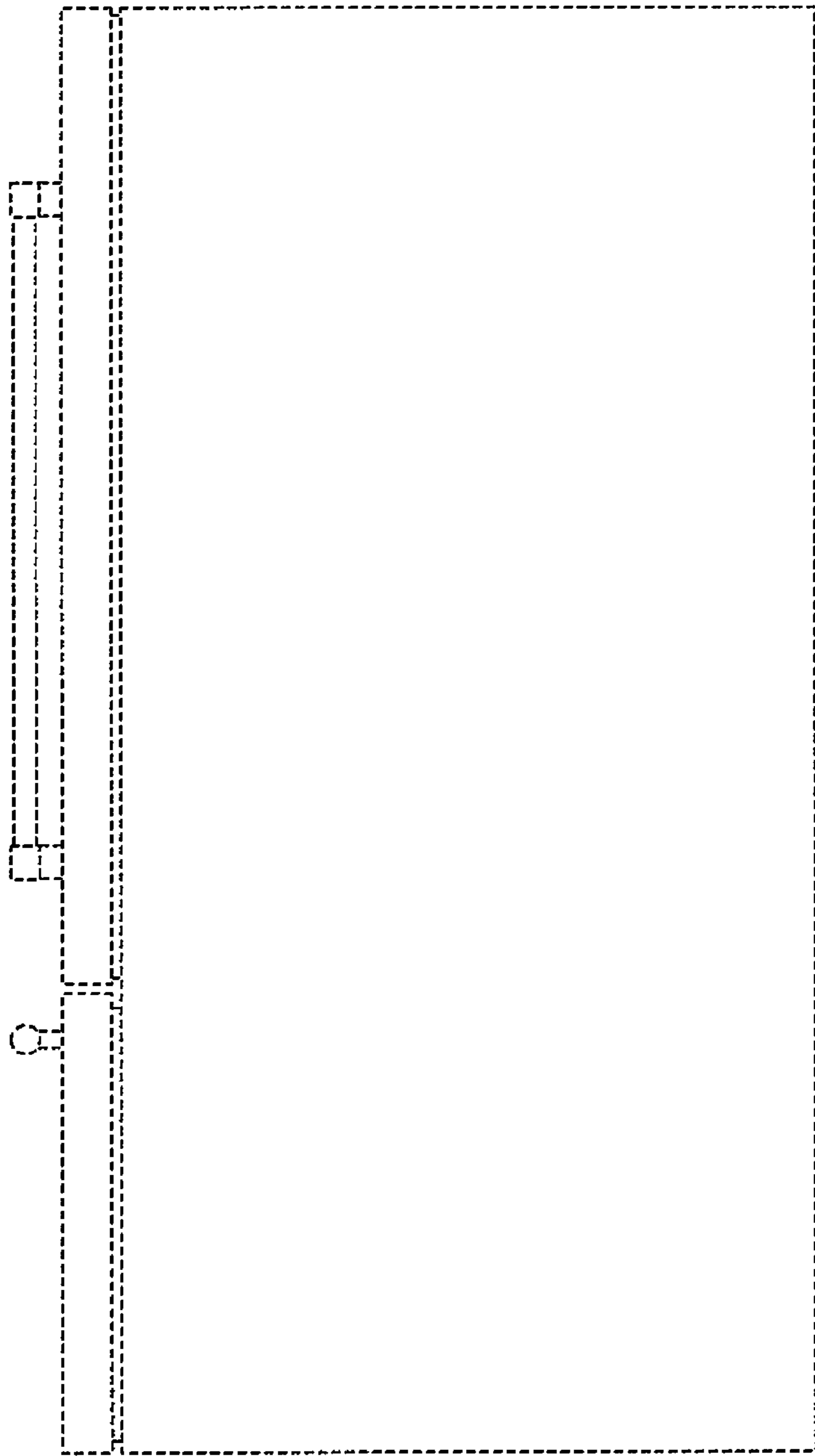


FIG. 18

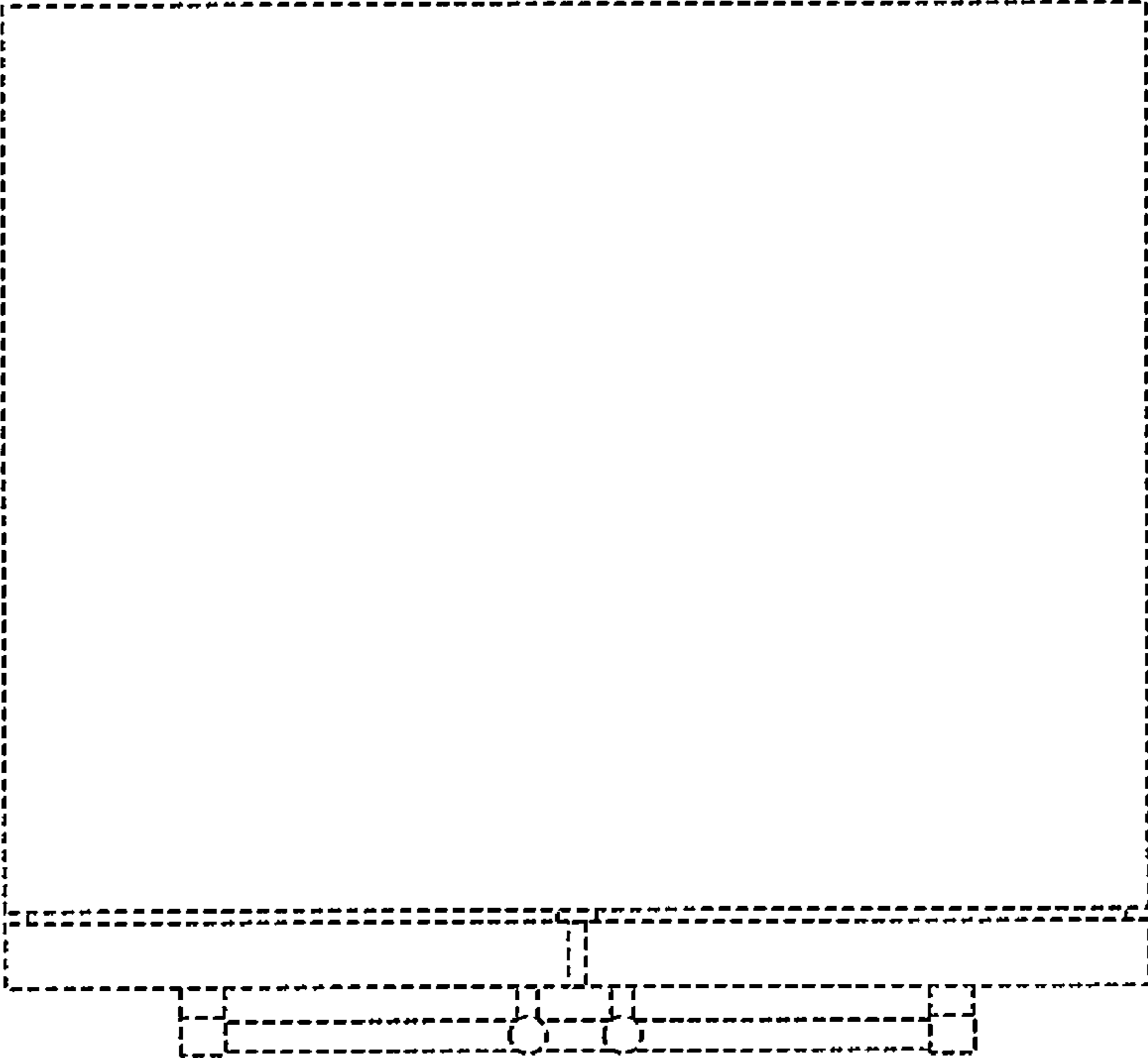


FIG. 19

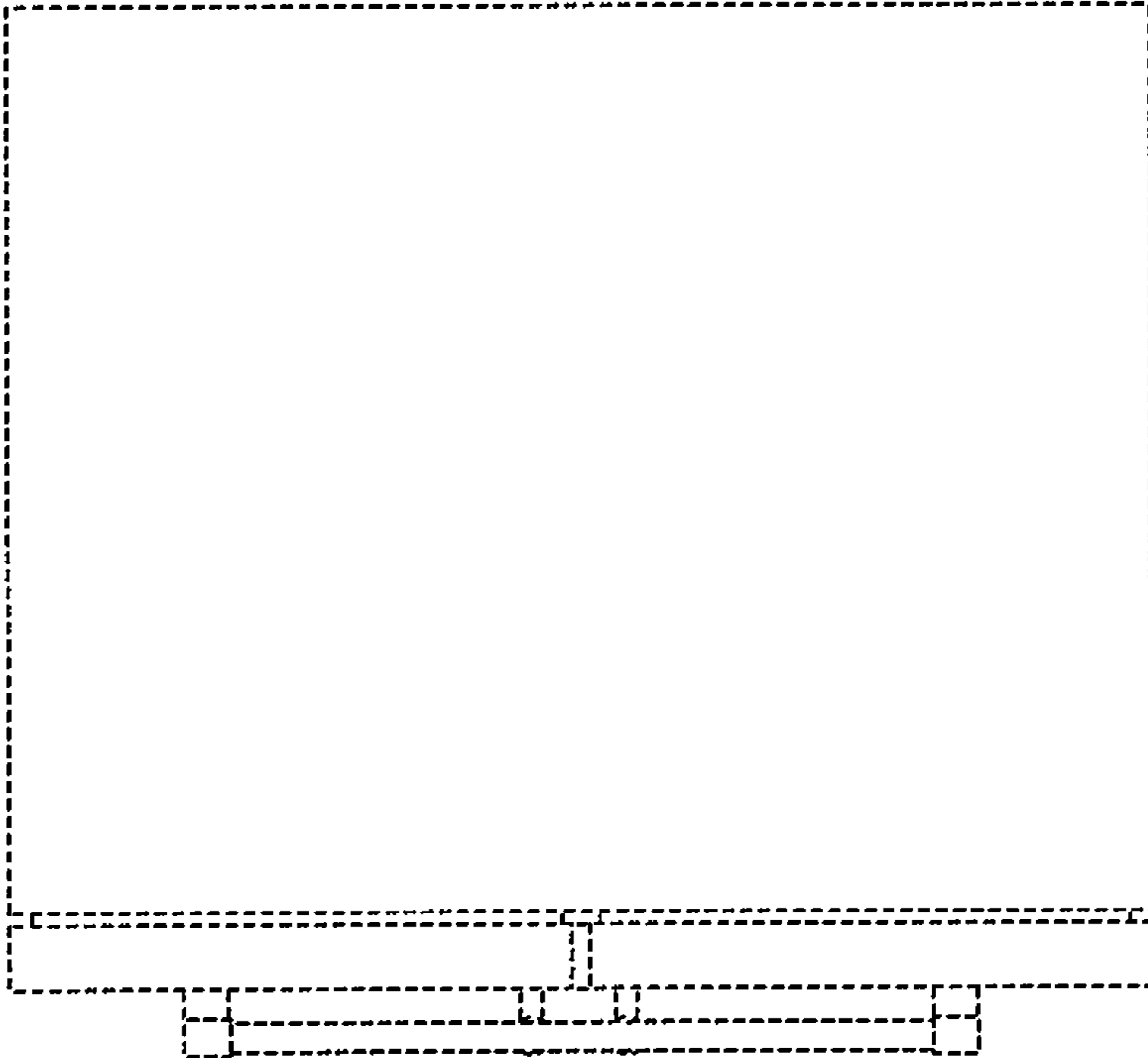


FIG. 20

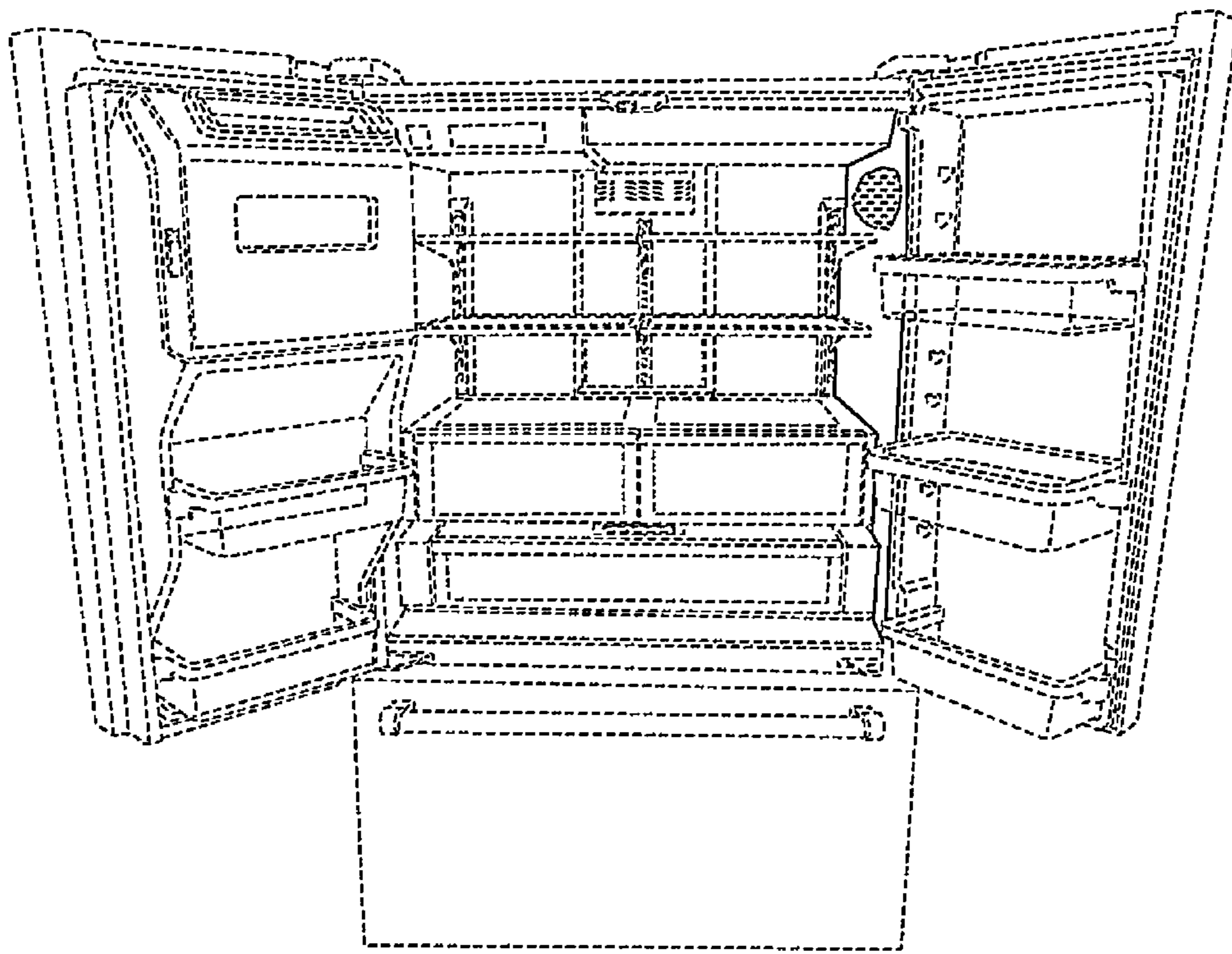


FIG. 21

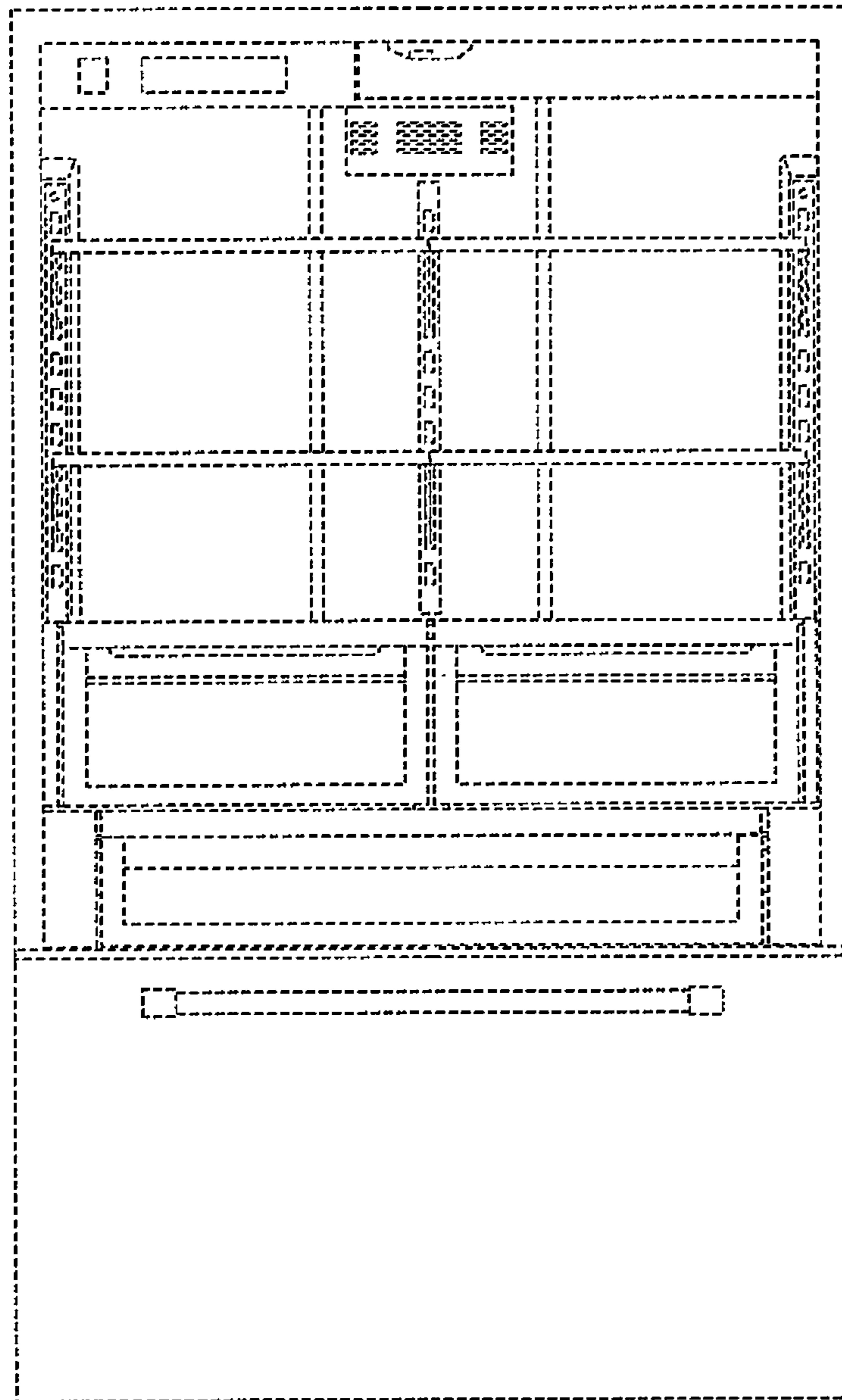


FIG. 22

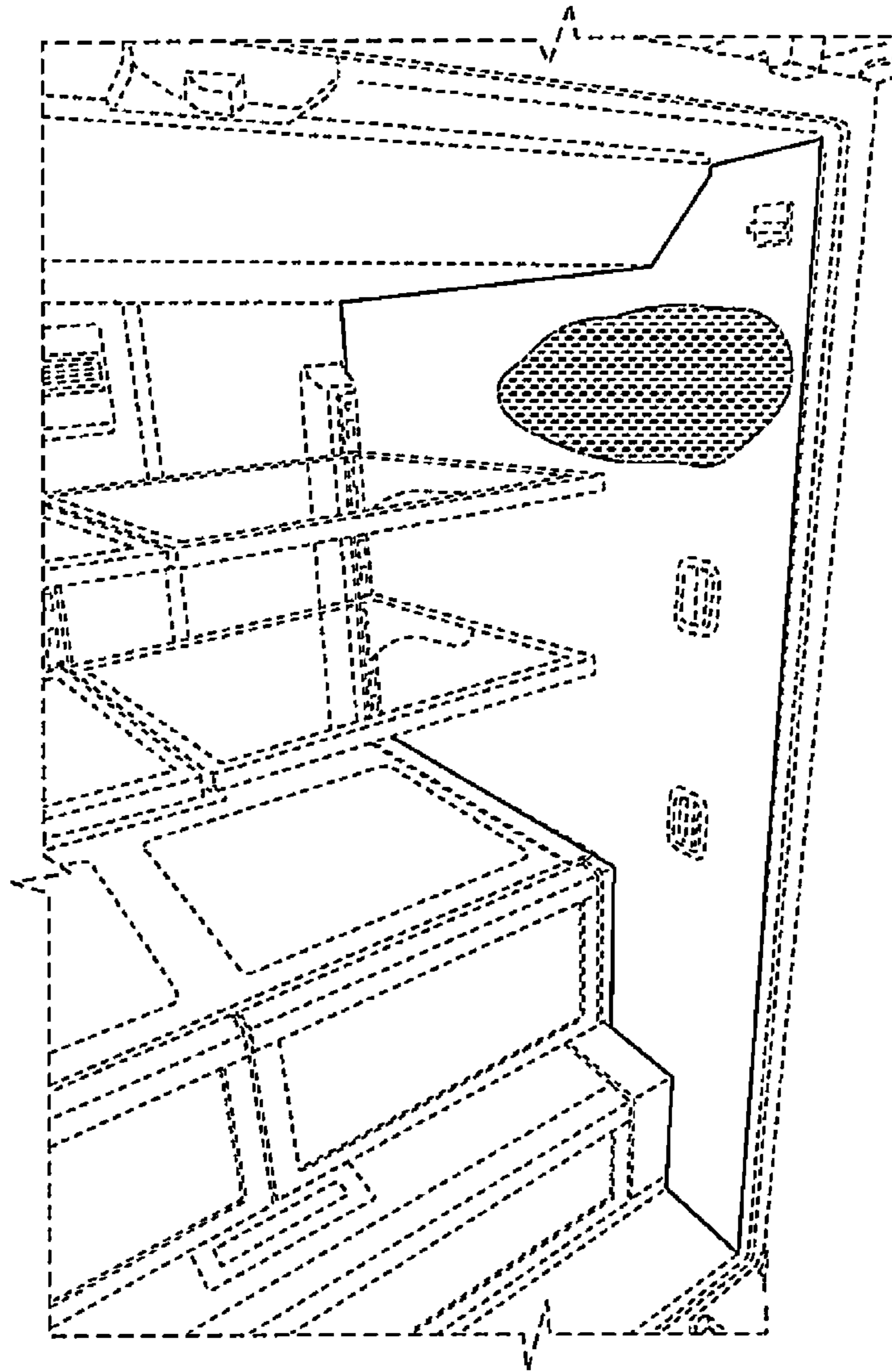


FIG. 23

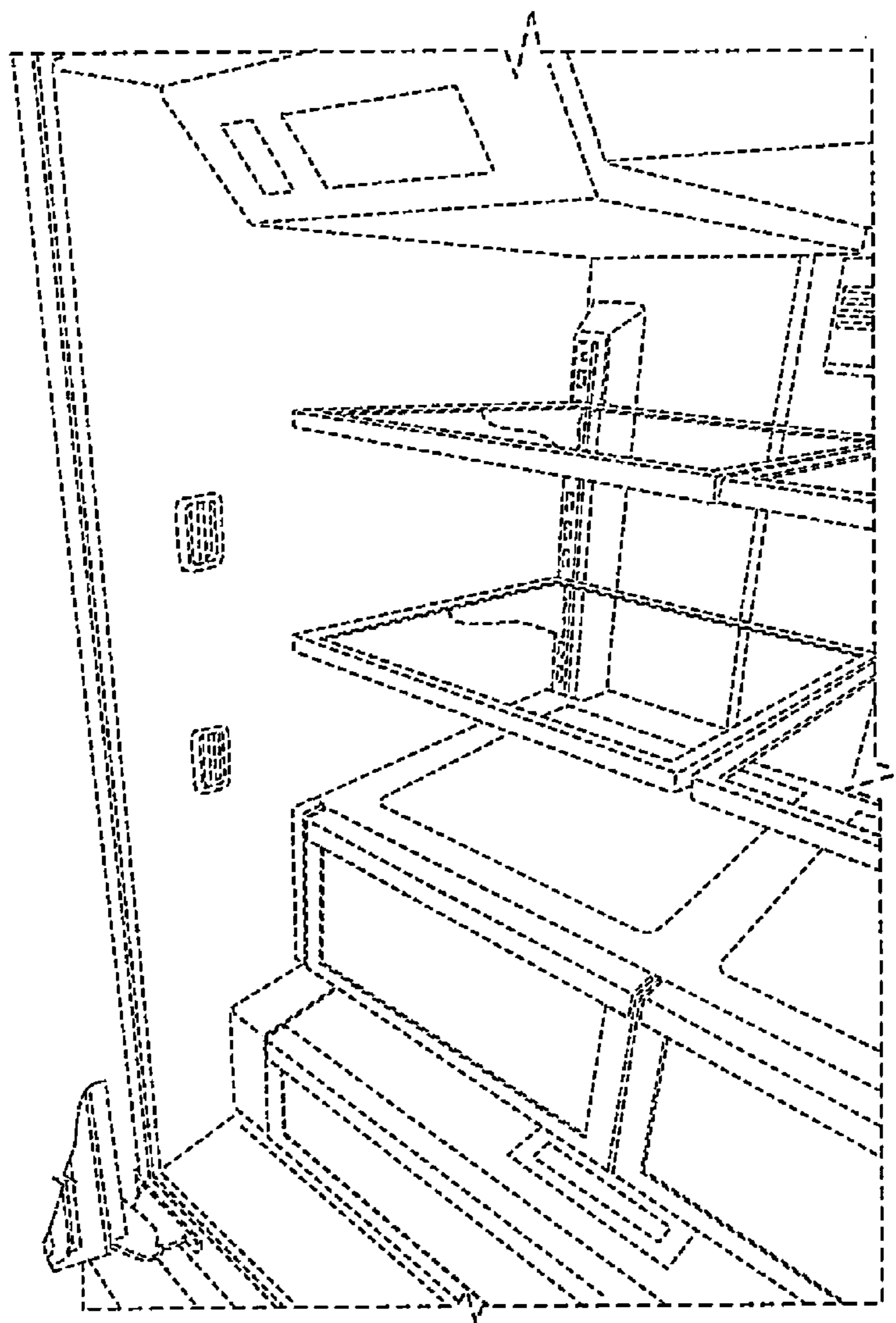


FIG. 24

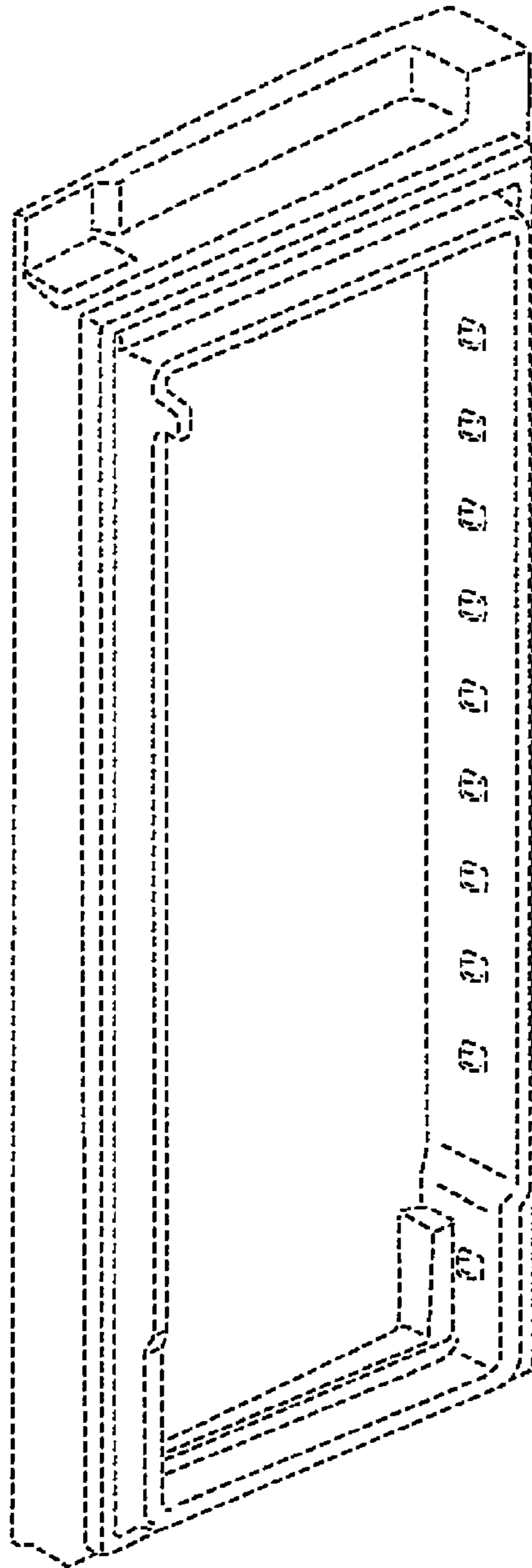


FIG. 25

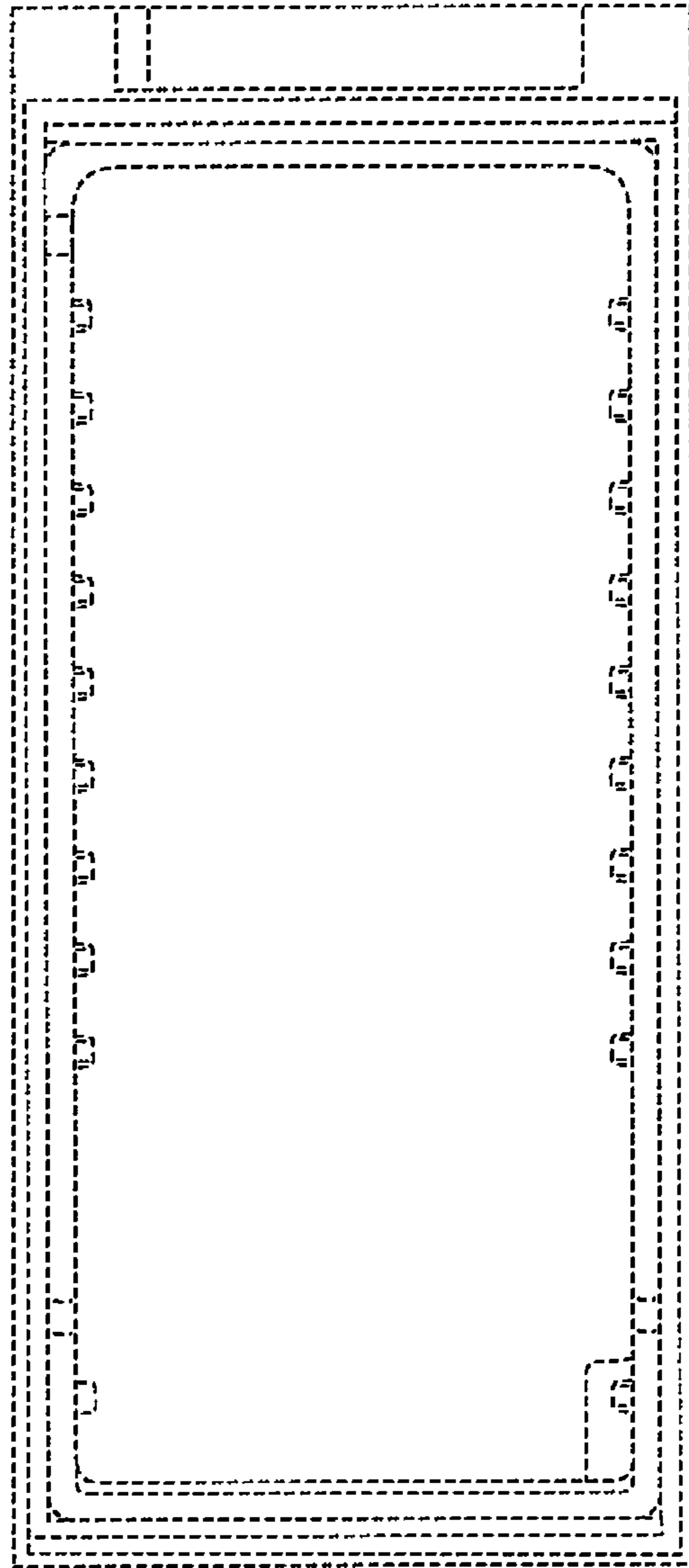


FIG. 26

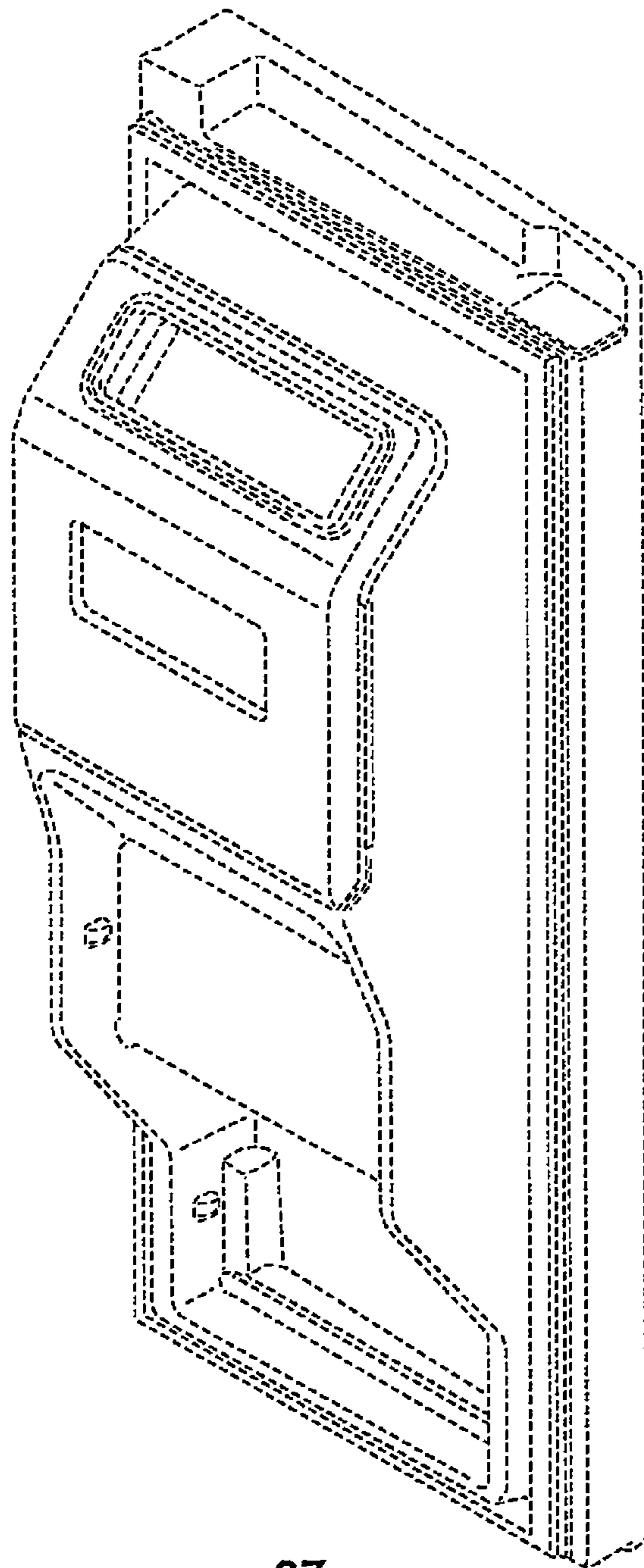


FIG. 27

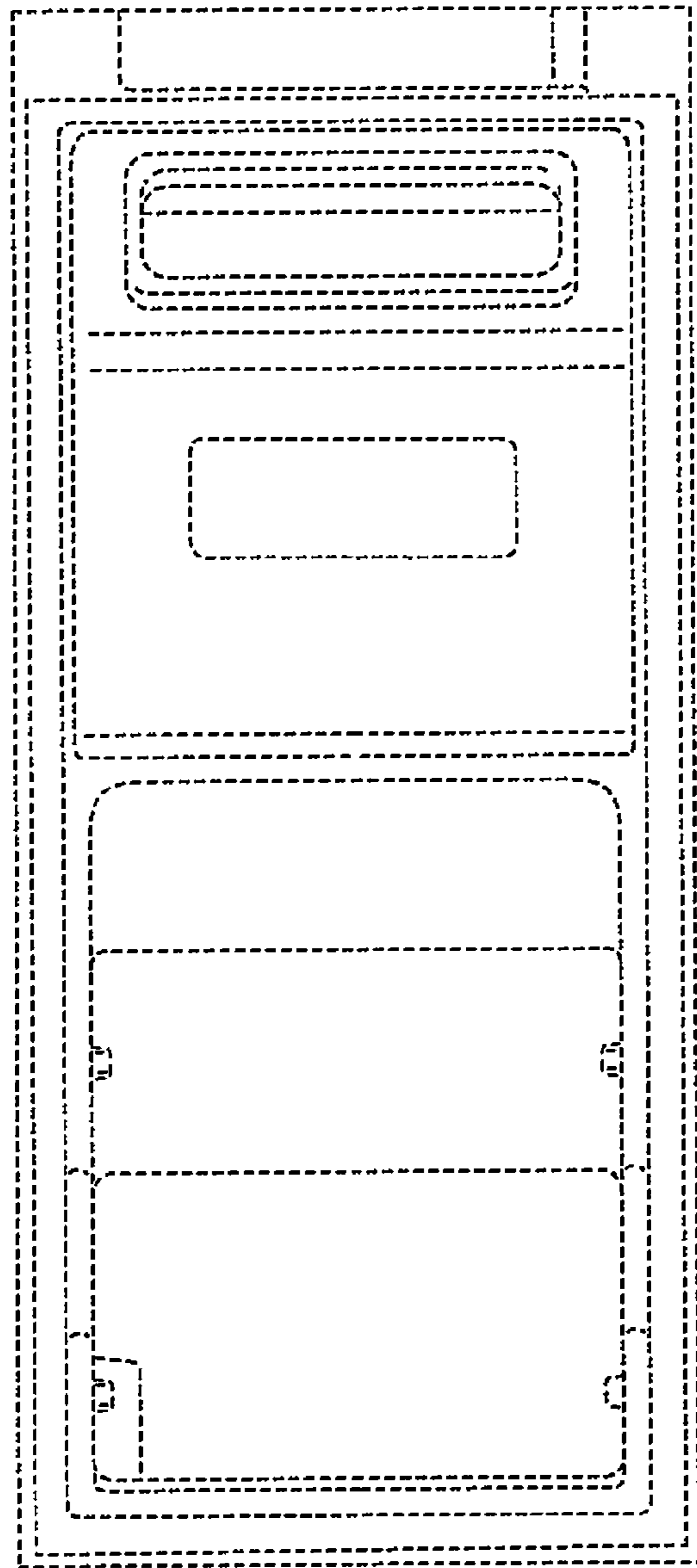


FIG. 28

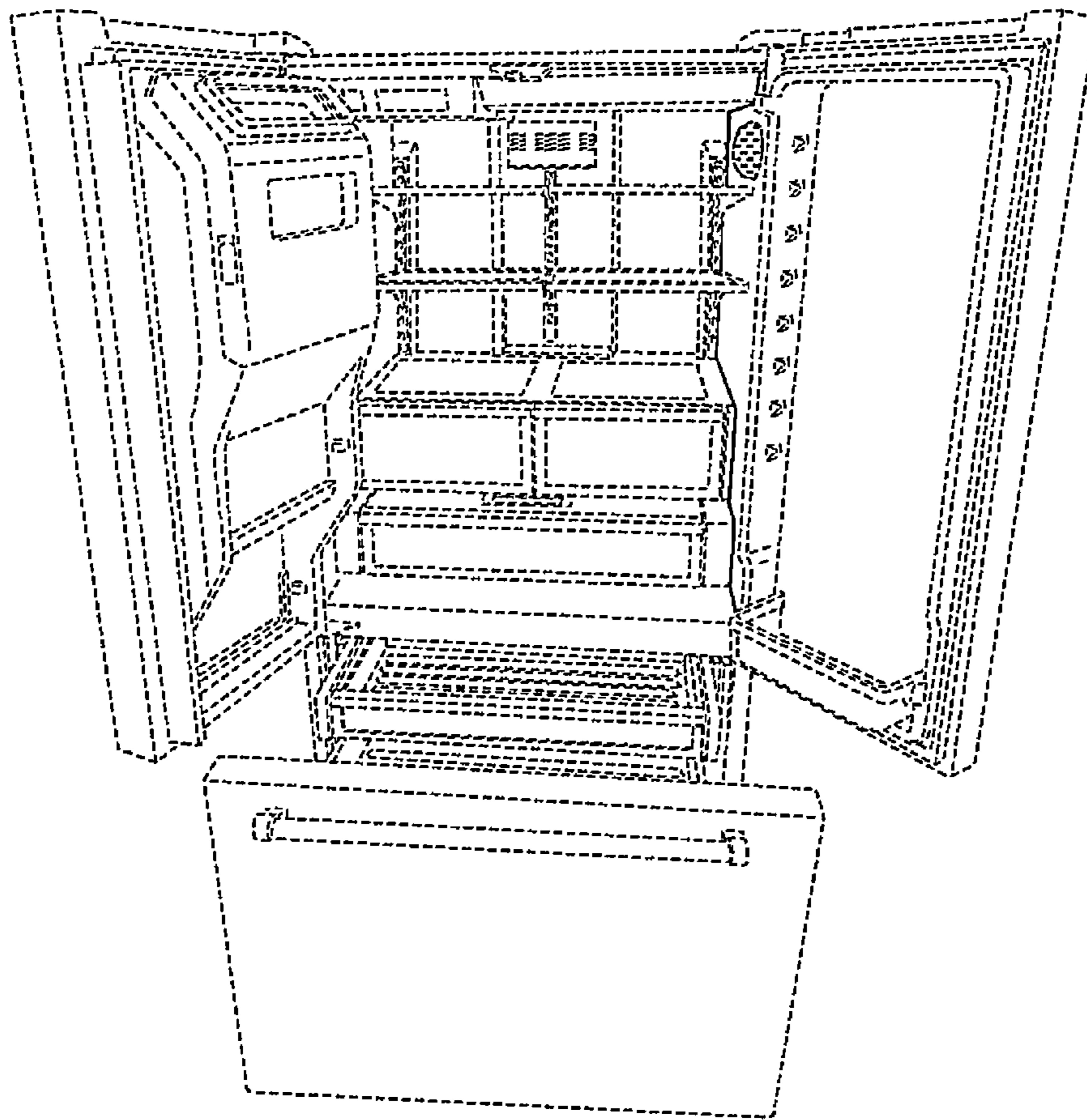


FIG. 29

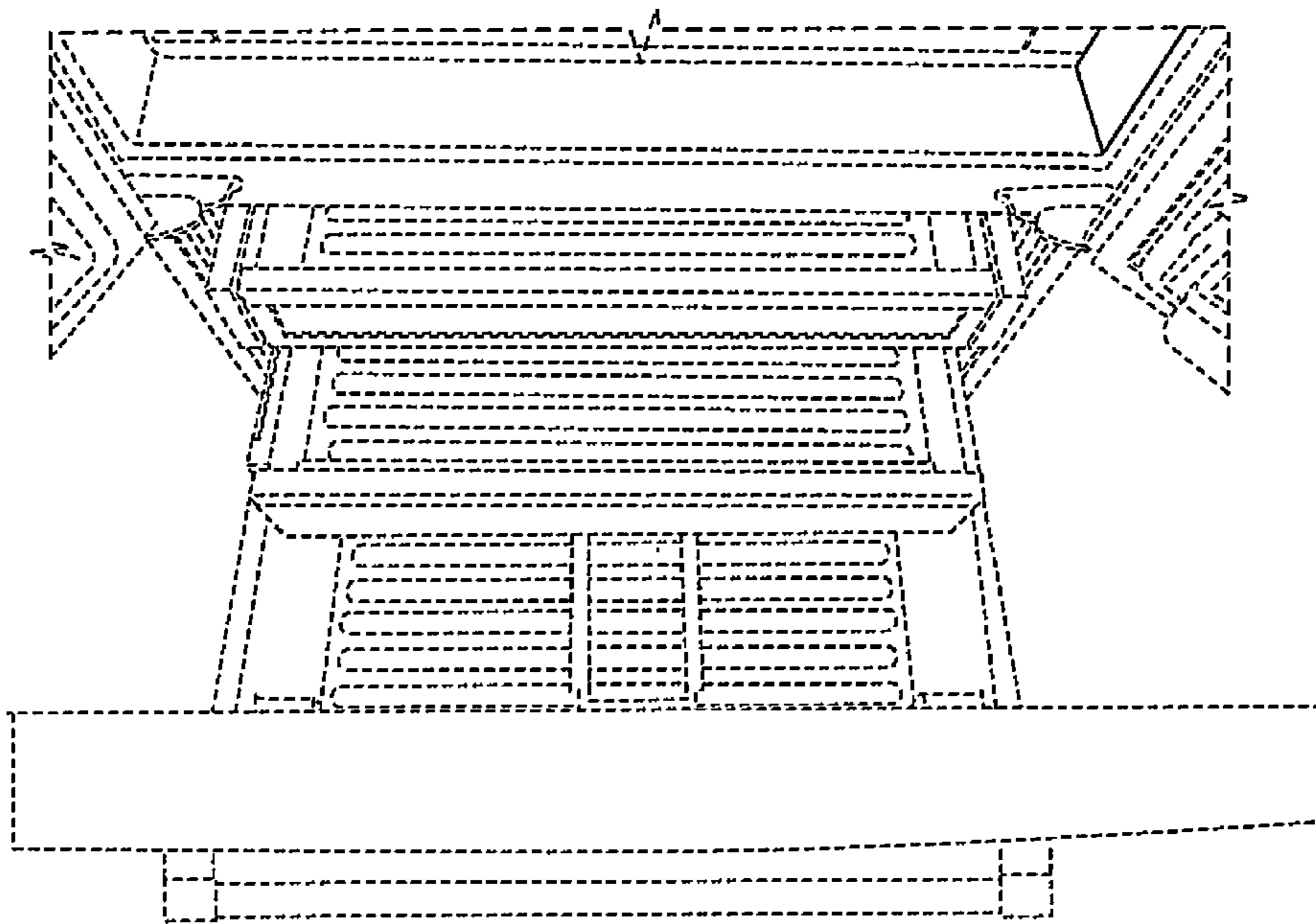


FIG. 30