

US00D732082S

(12) **United States Design Patent**  
**Porojan et al.**

(10) **Patent No.:** **US D732,082 S**  
(45) **Date of Patent:** **\*\* Jun. 16, 2015**

(54) **VALVE COVER WITH BREATHER TUBE**

(71) Applicant: **Caterpillar Inc.**, Peoria, IL (US)  
(72) Inventors: **Adrian Porojan**, Peoria, IL (US); **Jason Rex Dare**, Peoria, IL (US); **Terril James Johnson**, Washington, IL (US); **Andrew David Schick**, Morton, IL (US); **Seth Evan Slaughter**, Peoria, IL (US); **Pravin Bandu Sondkar**, Peoria, IL (US)

(73) Assignee: **Caterpillar Inc.**, Peoria, IL (US)

(\*\*) Term: **14 Years**

(21) Appl. No.: **29/440,004**

(22) Filed: **Dec. 18, 2012**

(51) **LOC (10) Cl.** ..... **15-01**

(52) **U.S. Cl.**  
USPC ..... **D15/5**

(58) **Field of Classification Search**  
USPC ..... D15/1-6; D12/400; 123/635, 195 C, 123/903.38, 573, 198 E, 90.37, 572, 90.27  
See application file for complete search history.

(56) **References Cited**

**U.S. PATENT DOCUMENTS**

D531,641 S \* 11/2006 Schultz et al. .... D15/5  
2013/0298857 A1 \* 11/2013 Gillette, II ..... 123/90.38  
2014/0290634 A1 \* 10/2014 Slaughter et al. .... 123/573

**OTHER PUBLICATIONS**

Caterpillar production drawing 341-6804 of COVER GP-MECH-B dated Jan. 22, 2009.

\* cited by examiner

*Primary Examiner* — T. Chase Nelson

*Assistant Examiner* — Ania Aman

(74) *Attorney, Agent, or Firm* — Finnegan, Henderson, Farabow, Garrett & Dunner, LLP

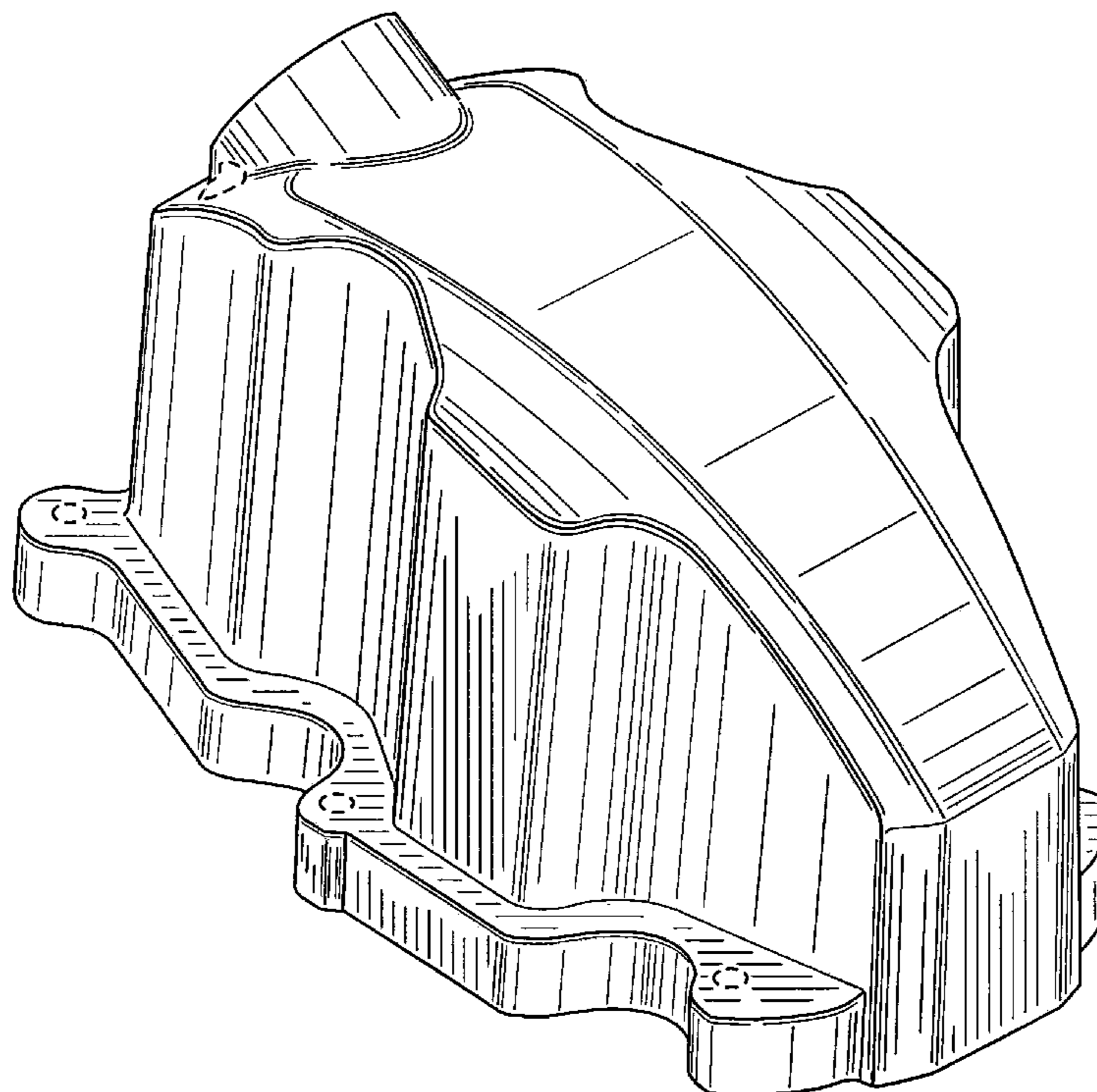
(57) **CLAIM**

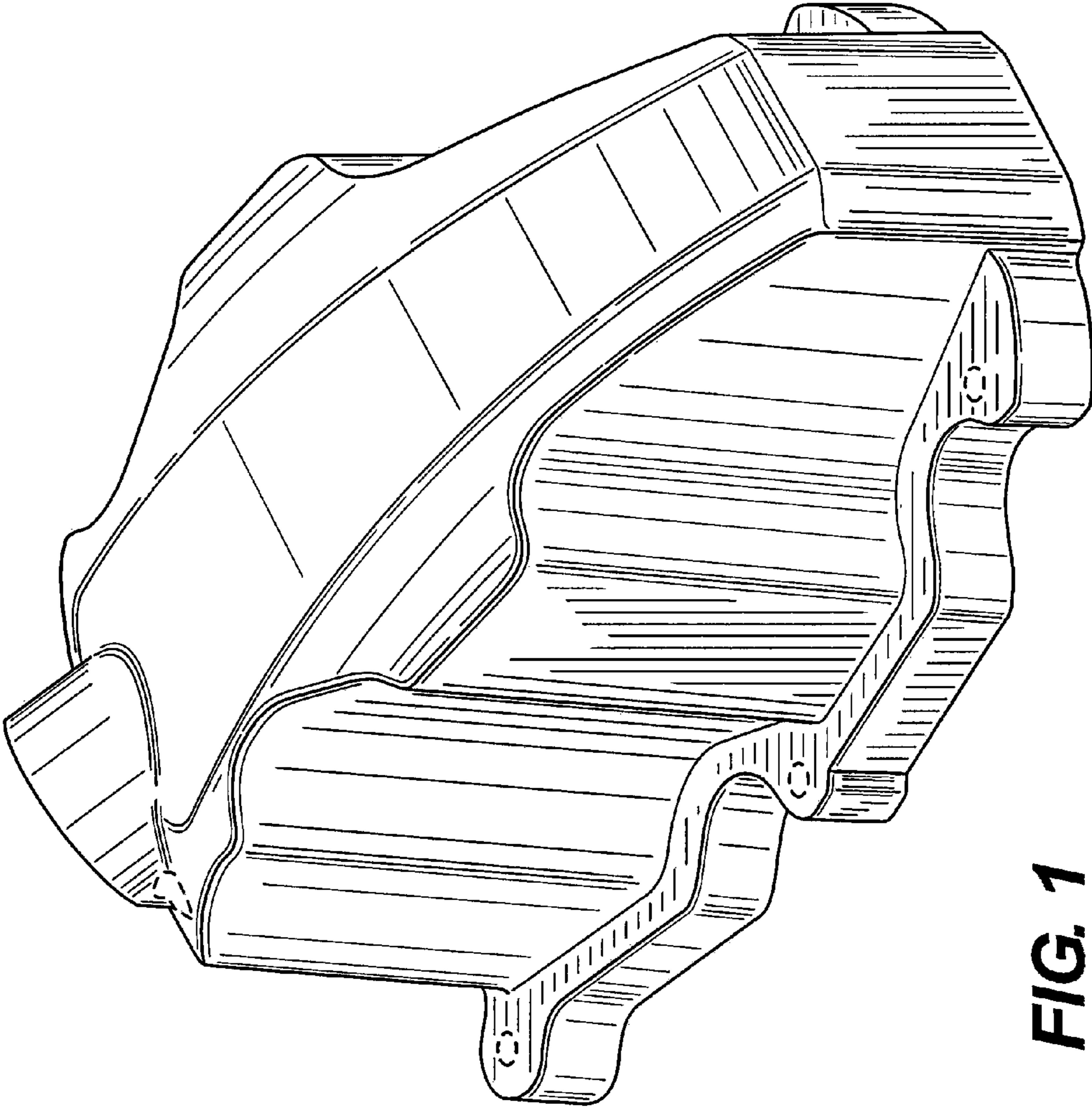
The ornamental design for a valve cover with breather tube, as shown and described.

**DESCRIPTION**

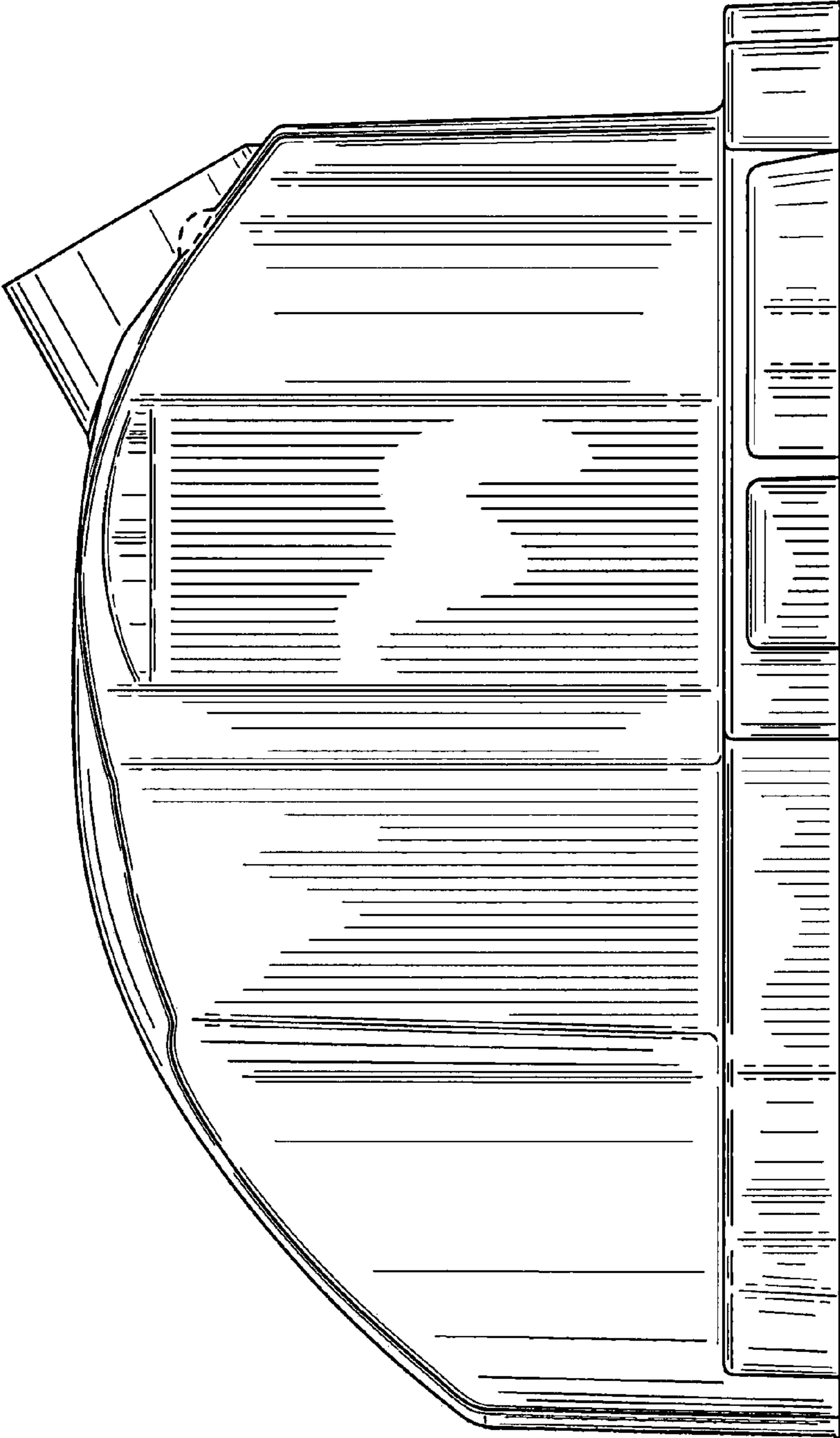
FIG. 1 is a front left perspective view of a valve cover showing our new design;  
FIG. 2 is a right side view thereof;  
FIG. 3 is a left side view thereof;  
FIG. 4 is a front view thereof;  
FIG. 5 is a rear view thereof; and,  
FIG. 6 is a top plan view thereof, the bottom view not being visible during ordinary use is not depicted.  
The bottom view of the valve cover forms no part of the claimed design. The broken lines shown in the drawings illustrate portions of the valve cover that form no part of the claimed design.

**1 Claim, 6 Drawing Sheets**

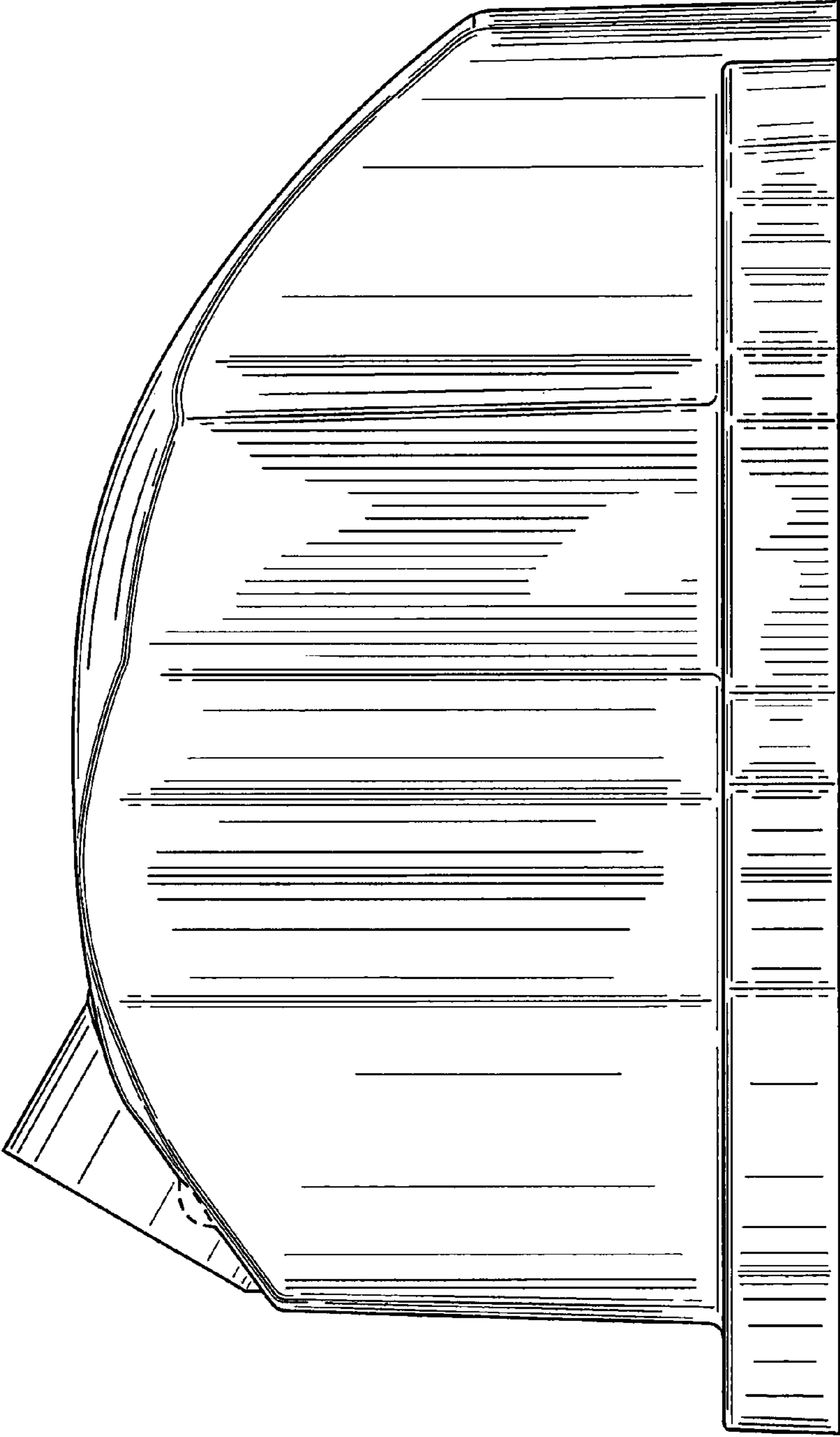




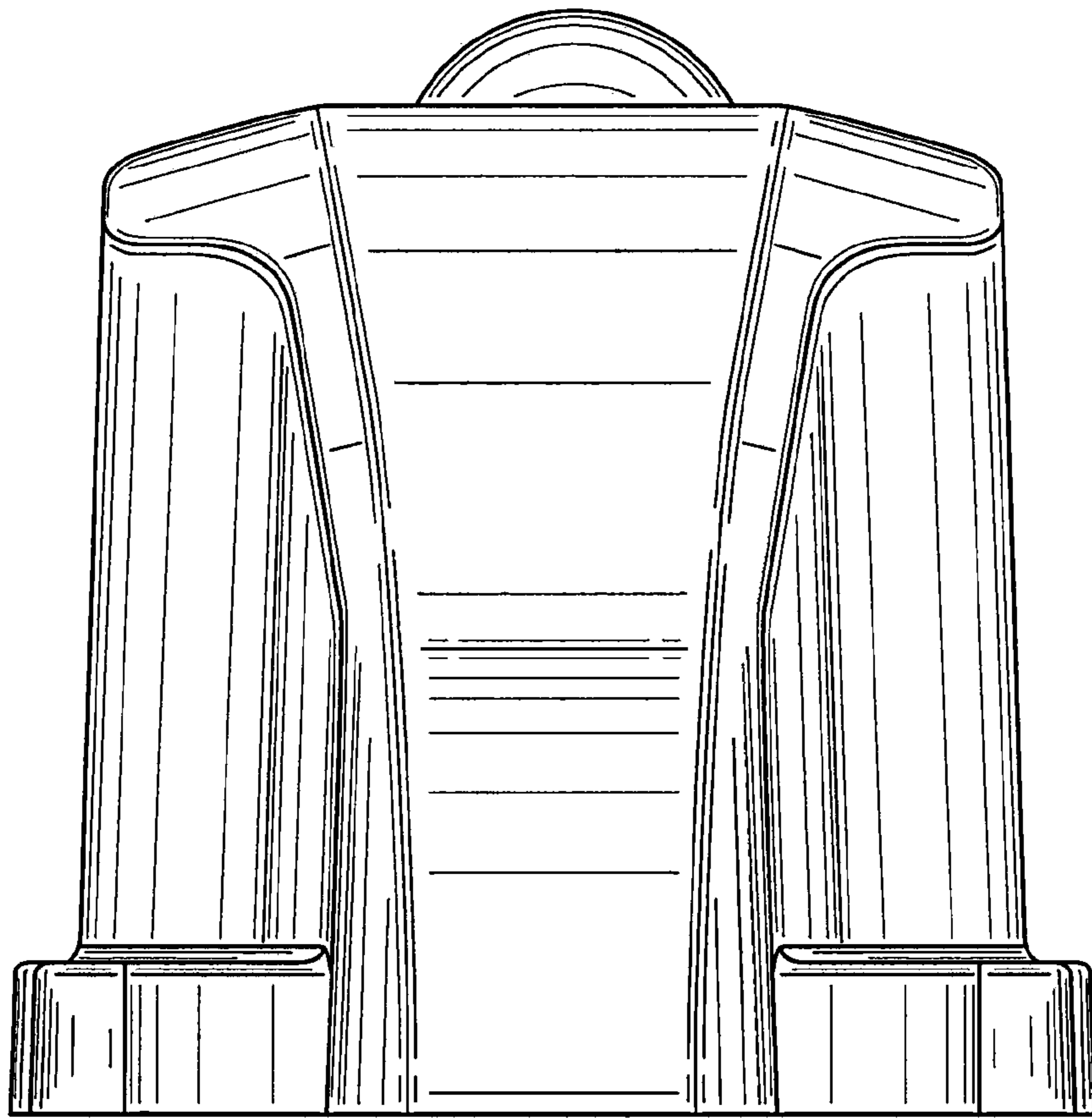
**FIG. 1**



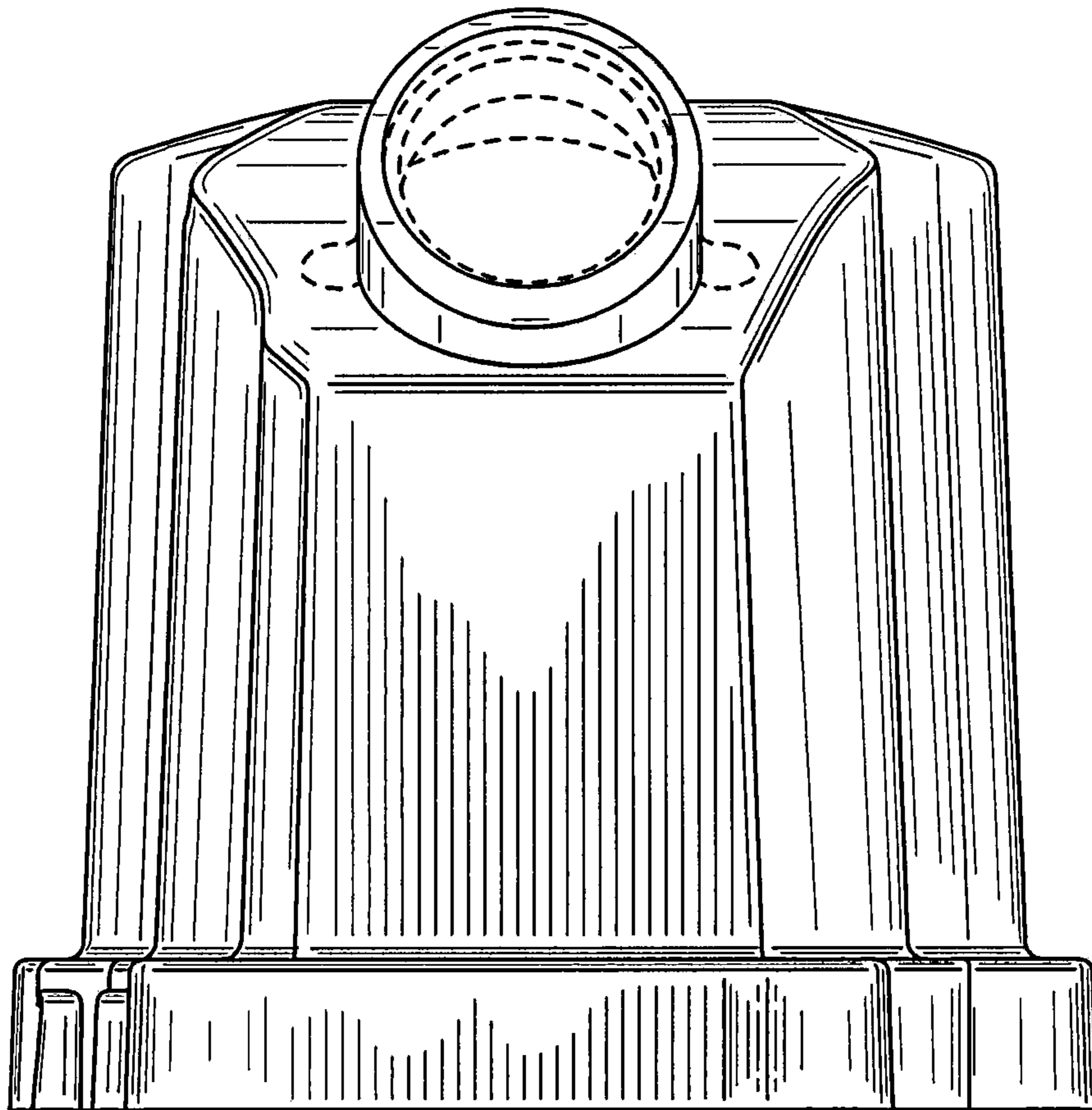
**FIG. 2**



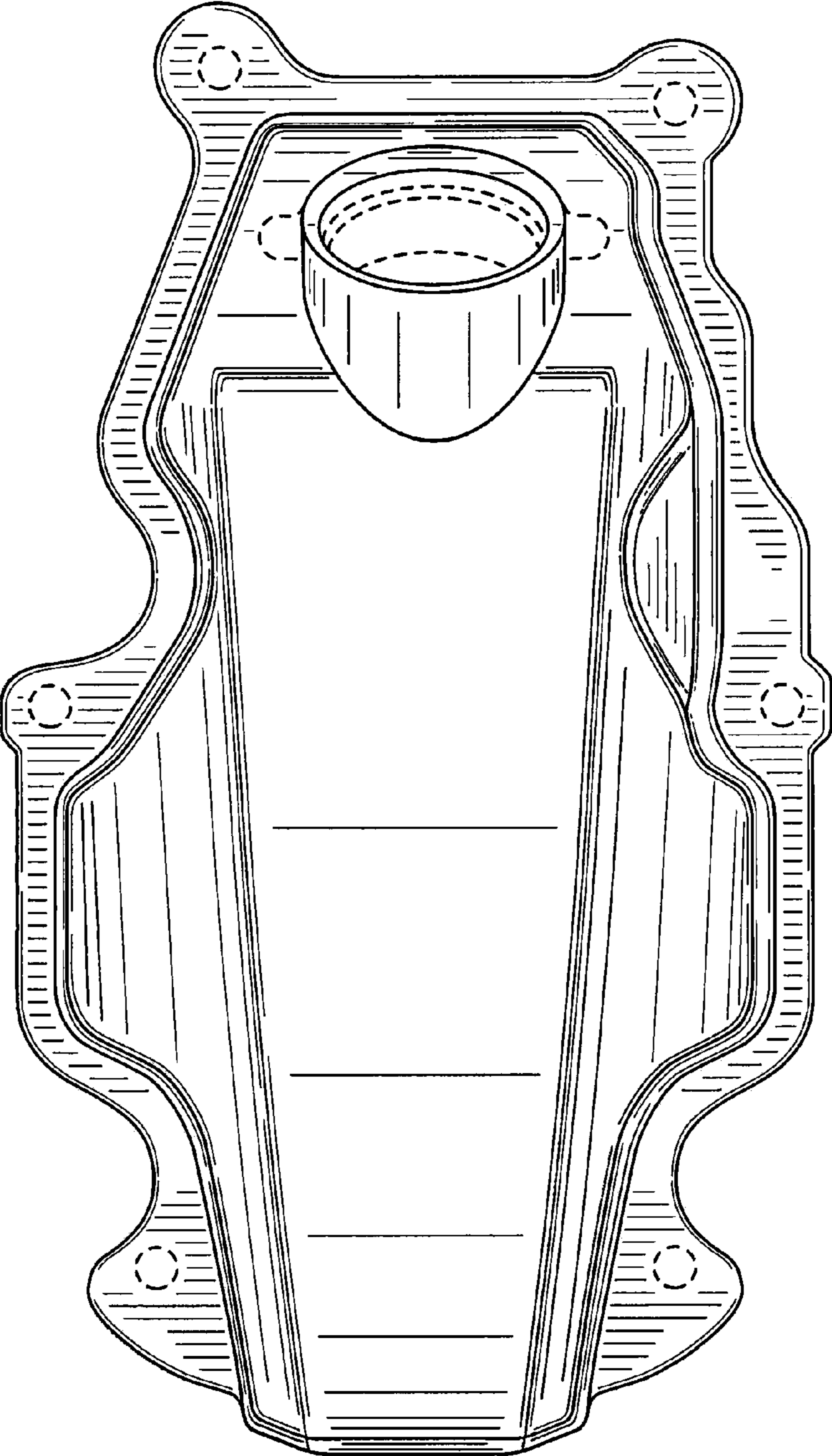
**FIG. 3**



**FIG. 4**



**FIG. 5**



**FIG. 6**