



US00D732081S

(12) **United States Design Patent**  
**Northrop et al.**

(10) **Patent No.:** **US D732,081 S**  
(45) **Date of Patent:** **\*\* Jun. 16, 2015**

(54) **SUPERCHARGER**

(71) Applicant: **Eaton Corporation**, Cleveland, OH  
(US)

(72) Inventors: **Kurt Northrop**, Kalamazoo, MI (US);  
**Daniel Ouwenga**, Portage, MI (US);  
**Robert Simons**, Torrance, CA (US);  
**Chad Magana**, Torrance, CA (US)

(73) Assignee: **Eaton Corporation**, Cleveland, OH  
(US)

(\*\*) Term: **14 Years**

(21) Appl. No.: **29/480,271**

(22) Filed: **Jan. 24, 2014**

(51) **LOC (10) Cl.** ..... **15-01**

(52) **U.S. Cl.**  
USPC ..... **D15/4**

(58) **Field of Classification Search**  
USPC ..... D15/1-6; 123/559.1, 563; 415/17.4,  
415/319, 139, 201.1, 206.1; 60/599, 611  
See application file for complete search history.

(56) **References Cited**

**U.S. PATENT DOCUMENTS**

2,463,080	A *	3/1949	Beier	.....	418/206.6
2,654,530	A	8/1949	Oldberg		
4,075,991	A *	2/1978	Mettig et al.	.....	123/563
D255,353	S *	6/1980	Ullrich	.....	D15/5
4,556,373	A	12/1985	Soeters, Jr.		
4,609,335	A	9/1986	Uthoff, Jr.		
4,768,934	A	9/1988	Soeters, Jr.		
4,844,044	A	7/1989	McGovern		
5,078,583	A	1/1992	Hampton et al.		
5,083,907	A	1/1992	Brownell		
5,131,829	A *	7/1992	Hampton	.....	418/189
6,758,661	B1 *	7/2004	Thelen	.....	418/206.4
6,837,195	B2 *	1/2005	Suwazono	.....	123/54.4
6,884,050	B2	4/2005	Prior		
7,137,384	B1 *	11/2006	Kavadeles	.....	123/559.1

7,604,467	B2 *	10/2009	Prior	.....	418/201.1
7,726,286	B2 *	6/2010	Prior et al.	.....	123/559.1
7,845,921	B2 *	12/2010	Prior	.....	418/206.4
7,866,966	B2	1/2011	Swartzlander		
7,934,581	B2	5/2011	Kim et al.		
8,096,797	B2	1/2012	Kaplan et al.		
8,419,399	B2	4/2013	Kaplan et al.		
8,632,324	B2	1/2014	Swartzlander		
8,813,492	B2 *	8/2014	Hansen et al.	.....	60/611
D718,043	S *	11/2014	Hamburger	.....	D3/5
8,932,033	B2 *	1/2015	Ouwenga	.....	417/410.4
2003/0084888	A1	5/2003	LeBold et al.		
2004/0208770	A1 *	10/2004	Prior	.....	418/201.1
2006/0263230	A1 *	11/2006	Swartzlander	.....	418/196
2007/0107704	A1 *	5/2007	Billings et al.	.....	123/559.1
2008/0060622	A1 *	3/2008	Prior	.....	123/559.1
2008/0060623	A1 *	3/2008	Prior	.....	123/559.1
2008/0175739	A1 *	7/2008	Prior	.....	418/83

(Continued)

*Primary Examiner* — T. Chase Nelson

*Assistant Examiner* — Ania Aman

(74) *Attorney, Agent, or Firm* — Remarck Law Group PLC

(57) **CLAIM**

The ornamental design for a supercharger, as shown and described.

**DESCRIPTION**

FIG. 1 is a perspective view of a supercharger showing the new design.

FIG. 2 is a rear elevation view.

FIG. 3 is a front elevation view.

FIG. 4 is a top plan view.

FIG. 5 is a bottom plan view.

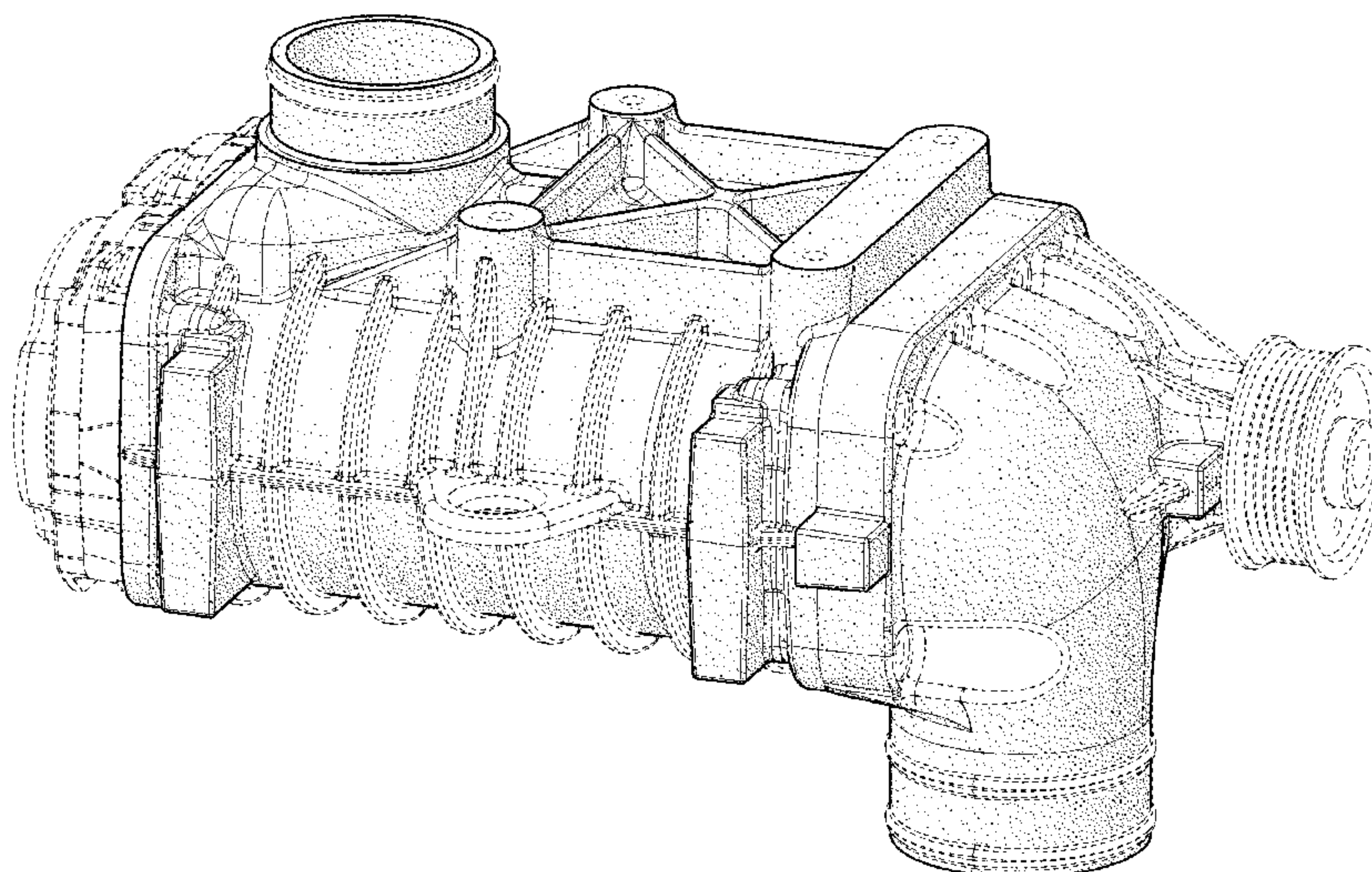
FIG. 6 is a left side elevation view; and,

FIG. 7 is a right side elevation view.

Any portion of the supercharger shown in broken lines is for the purpose of illustrating environmental structure and forms no part of the claimed design.

The broken line shown in the drawings are for the purpose of illustrating portions of the article that form no part of the claimed design.

**1 Claim, 6 Drawing Sheets**



(56)

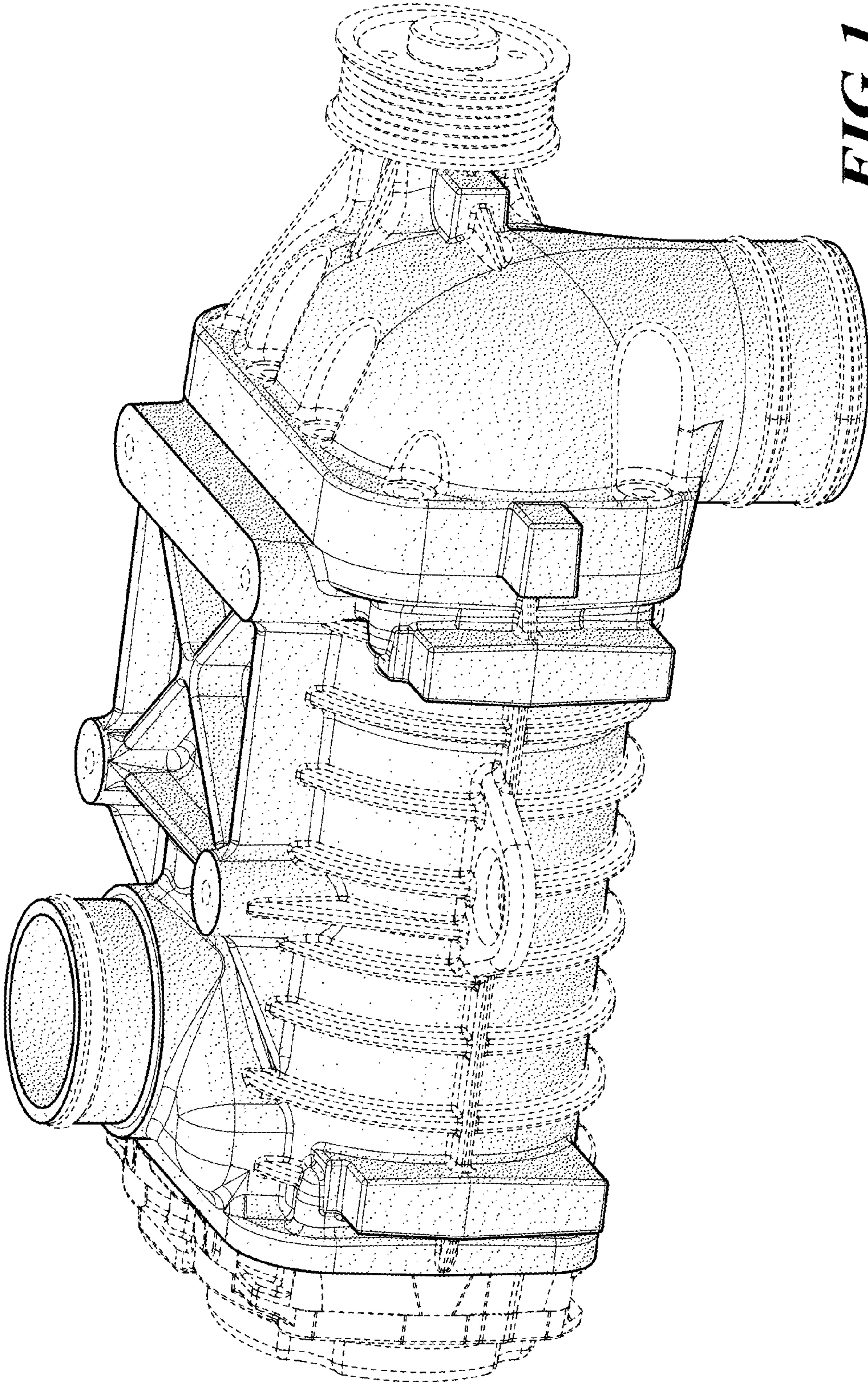
**References Cited**

U.S. PATENT DOCUMENTS

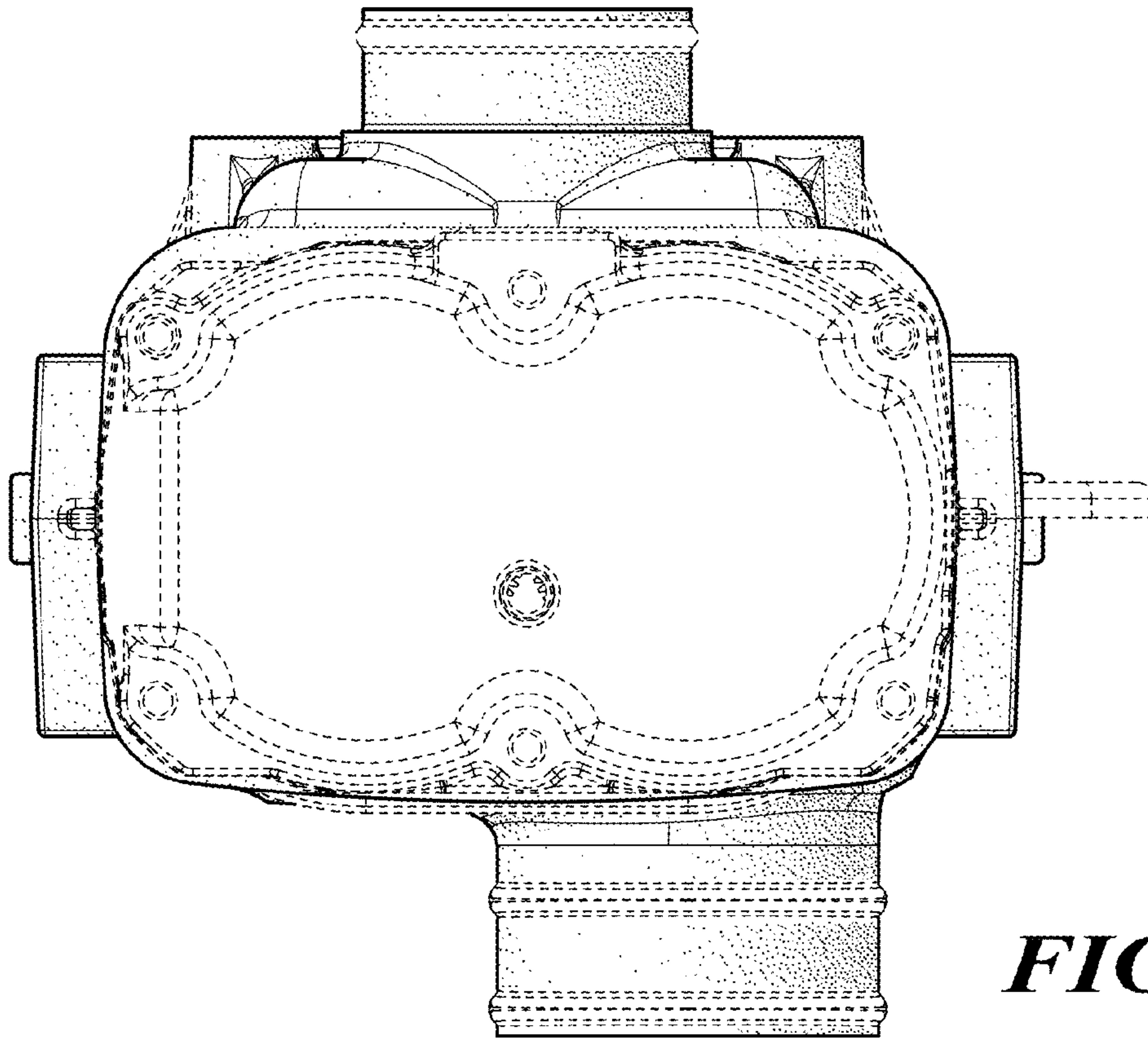
2008/0292452	A1 *	11/2008	Prior et al. ....	415/173.4	2010/0086402	A1 *	4/2010	Ouwenga et al. ....	415/224
2009/0004038	A1 *	1/2009	Prior et al. ....	418/85	2011/0083432	A1 *	4/2011	Hansen et al. ....	60/603
2009/0211244	A1 *	8/2009	Wegner et al. ....	60/599	2011/0150671	A1 *	6/2011	Ouwenga ....	417/293
2009/0232689	A1 *	9/2009	Prior ....	418/139	2014/0017101	A1 *	1/2014	Staley ....	417/319
					2014/0193285	A1 *	7/2014	Swartzlander ....	418/206.1
					2014/0209071	A1	7/2014	Rienas et al.	
					2014/0224230	A1 *	8/2014	Simons et al. ....	123/563

\* cited by examiner

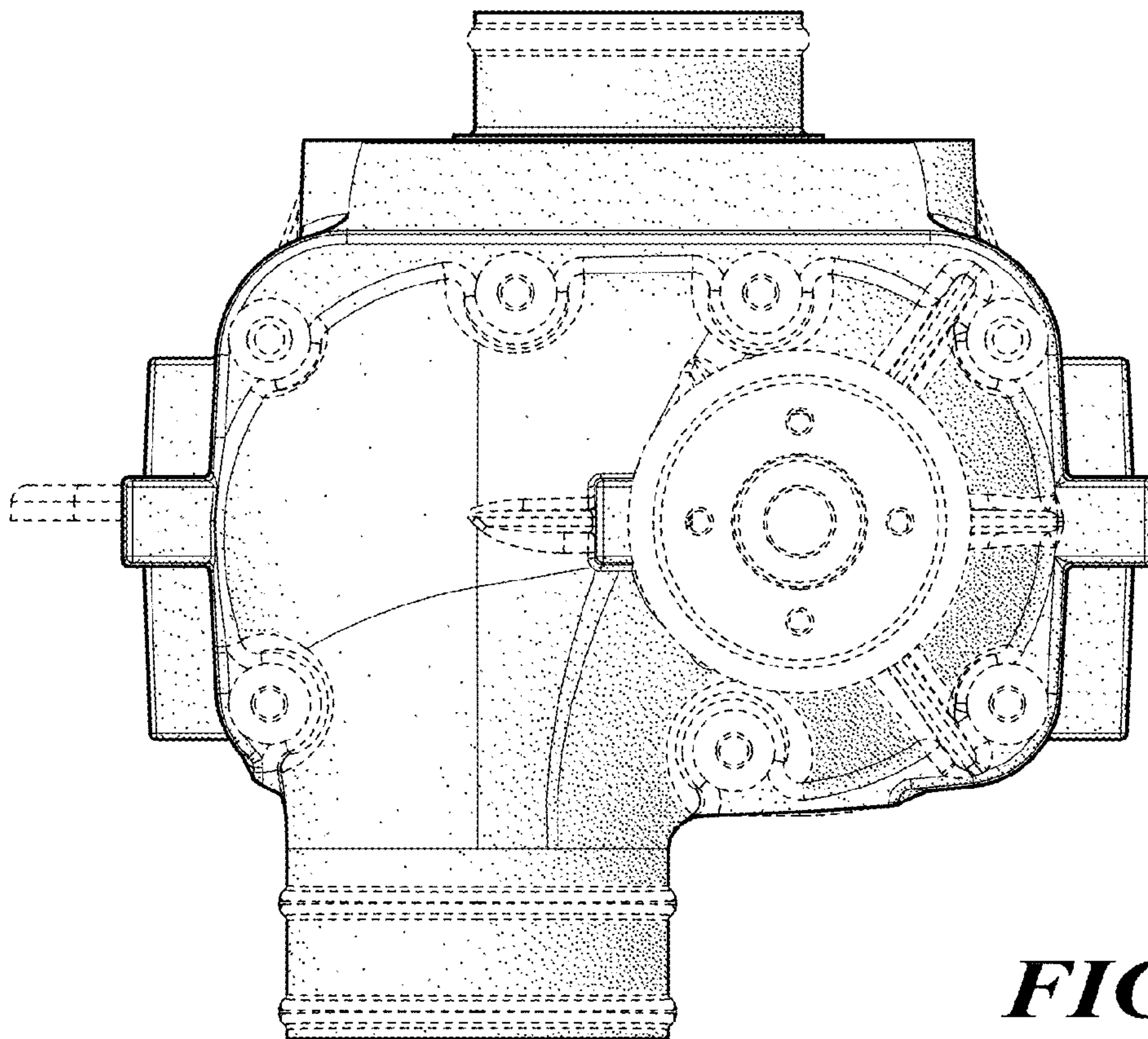




**FIG. 1**

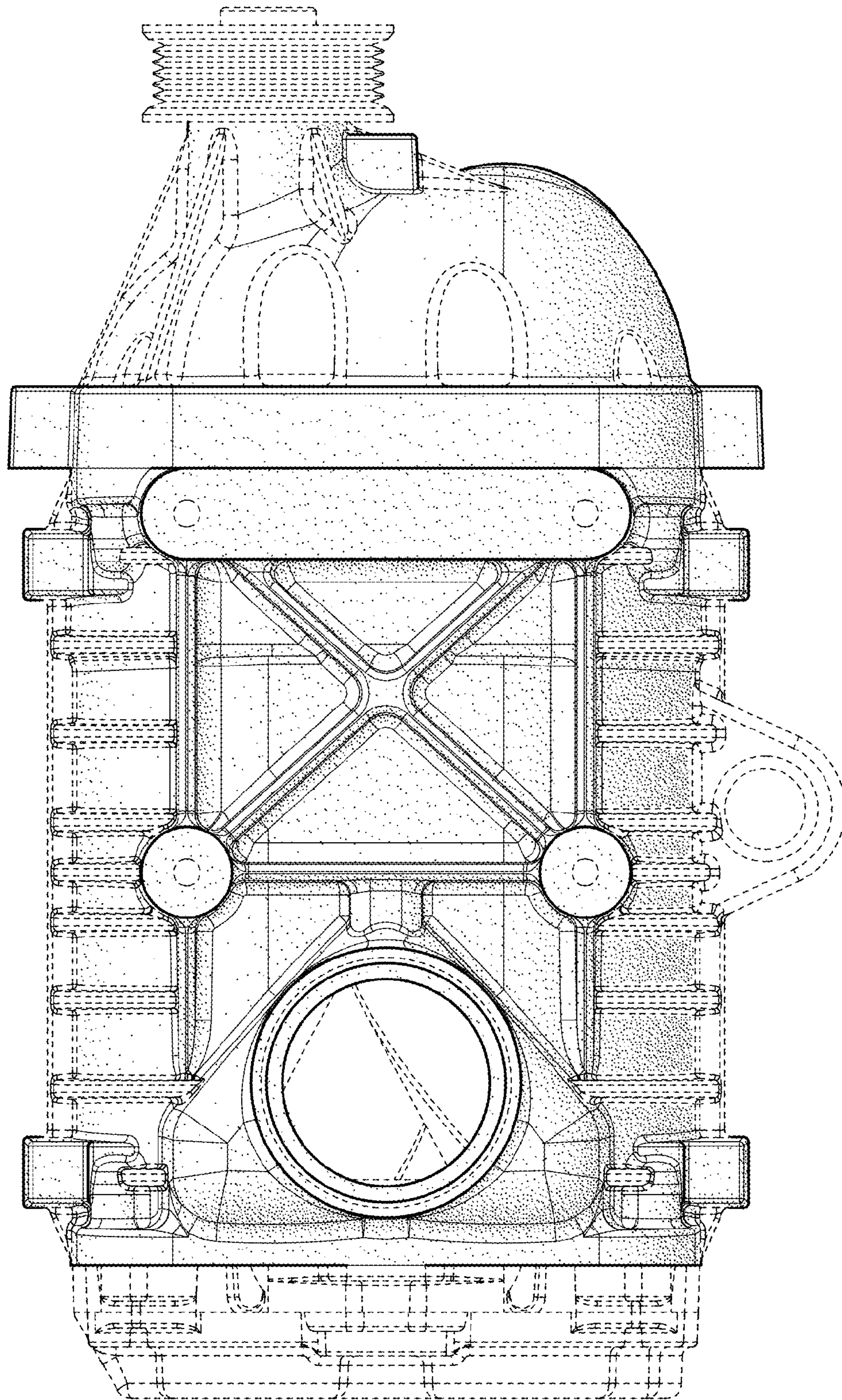


**FIG. 2**



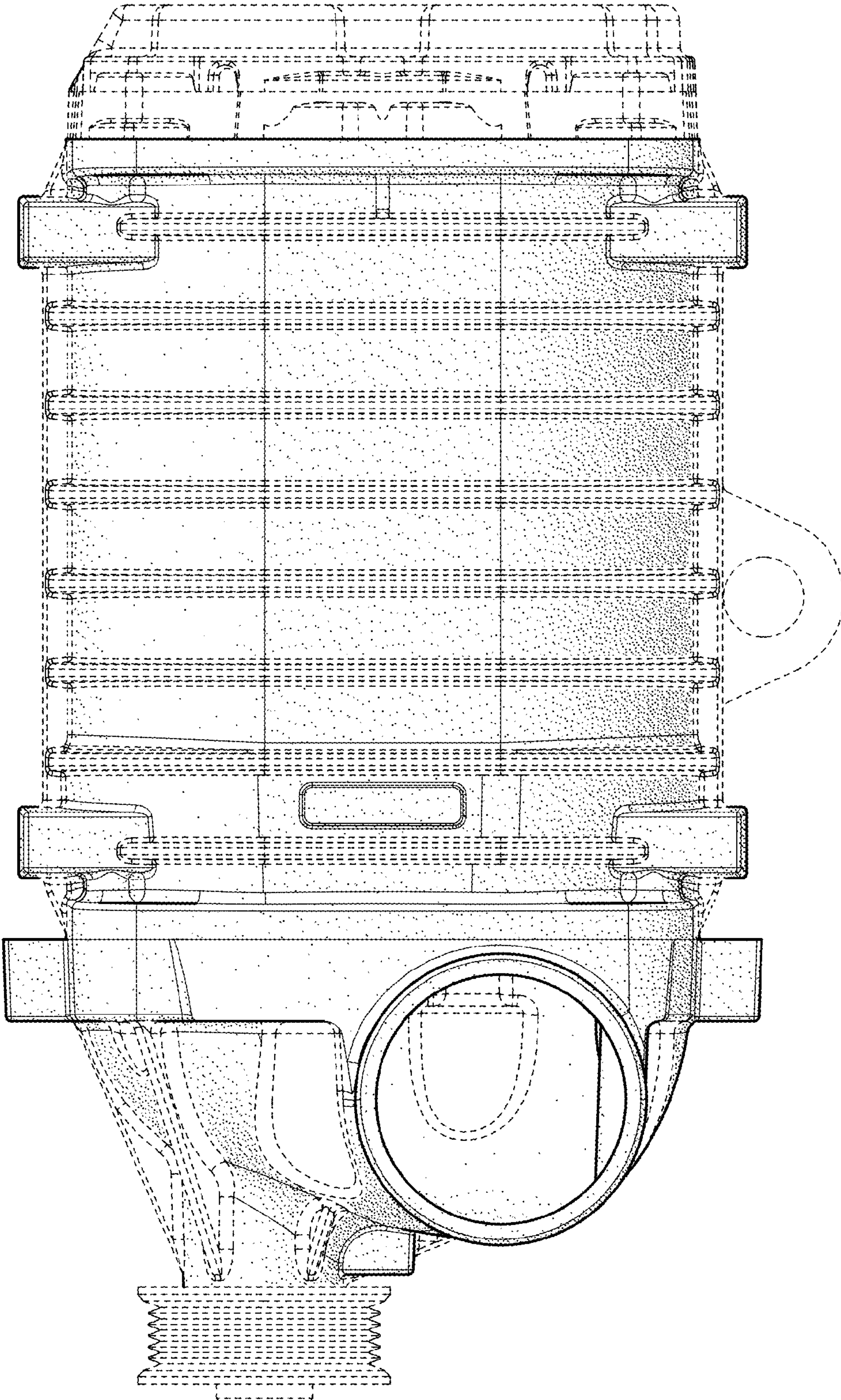
**FIG. 3**



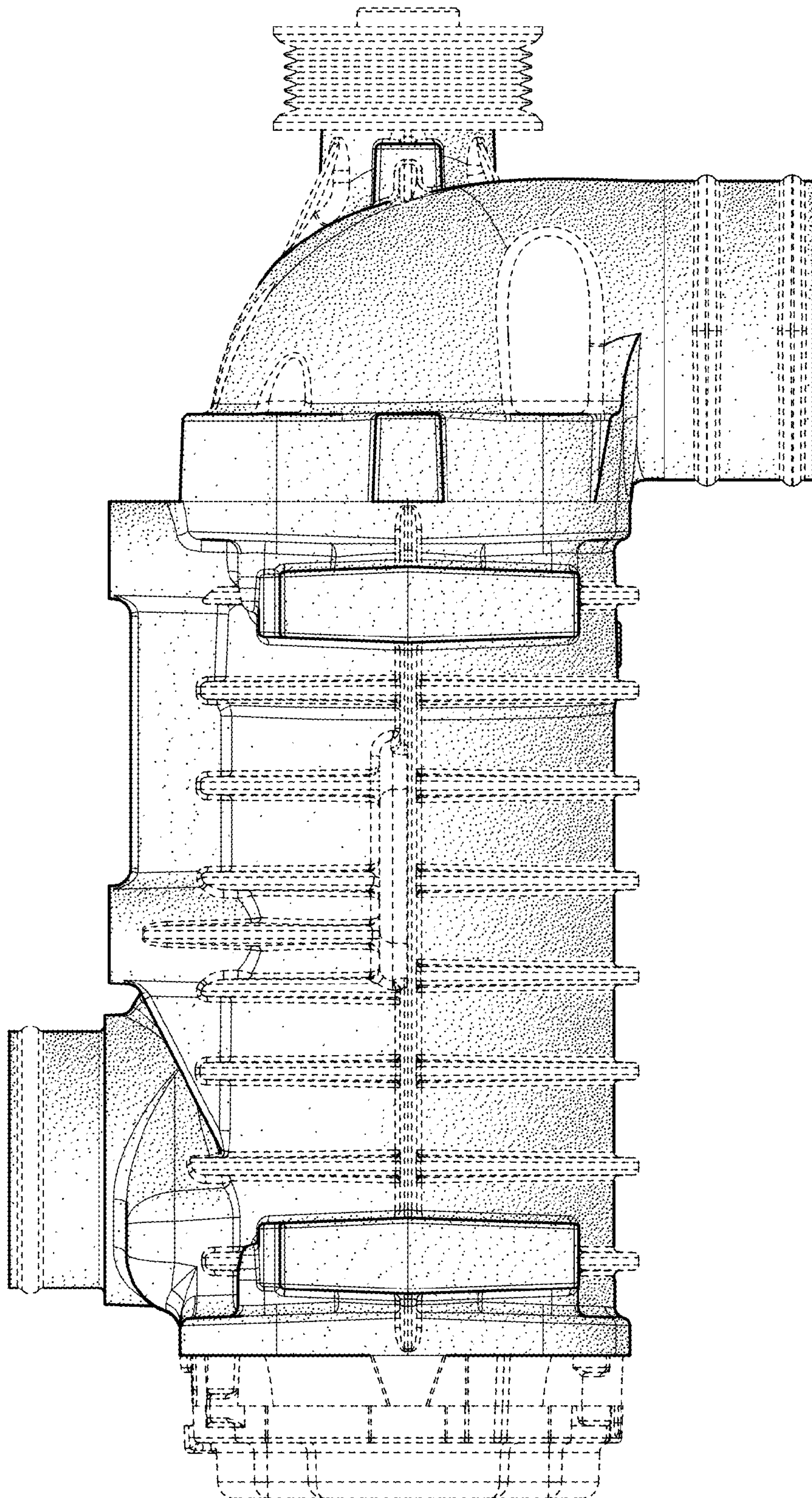


**FIG. 4**



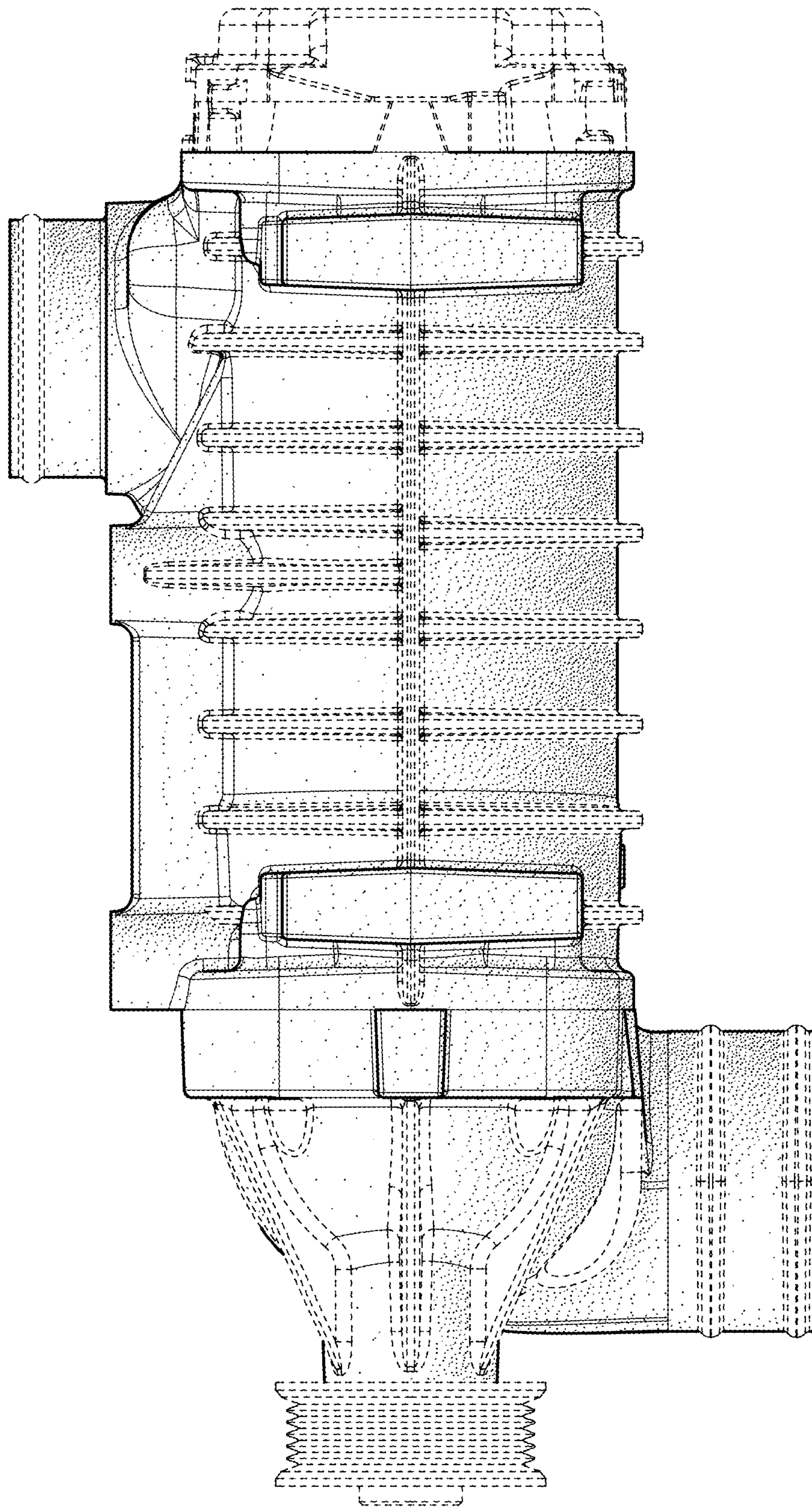


**FIG. 5**



**FIG. 6**





**FIG. 7**