



US00D732080S

(12) **United States Design Patent**
Xin et al.

(10) **Patent No.:** **US D732,080 S**
(45) **Date of Patent:** **** Jun. 16, 2015**

- (54) **AUDIO SYSTEM ACCESSORY**
- (71) Applicant: **Bose Corporation**, Framingham, MA (US)
- (72) Inventors: **Huiying Xin**, Shenzhen (CN); **David H. Pitcher**, Worcester, MA (US)
- (73) Assignee: **Bose Corporation**, Framingham, MA (US)
- (**) Term: **14 Years**
- (21) Appl. No.: **29/469,103**
- (22) Filed: **Oct. 7, 2013**
- (51) **LOC (10) Cl.** **14-03**
- (52) **U.S. Cl.**
USPC **D14/496**; D14/188
- (58) **Field of Classification Search**
USPC D14/368, 125, 155, 496, 498–511, D14/168–171, 188, 193, 197–198, 203.1, D14/217, 240, 358, 433; 455/90.1–90.3, 455/344–355; 369/6–12; 312/7.1; 720/600–601, 612, 619, 655
See application file for complete search history.

D471,543 S *	3/2003	Yang et al.	D14/240
D473,208 S	4/2003	Solland	
D473,209 S	4/2003	Solland	
D473,210 S	4/2003	Solland	
D498,742 S	11/2004	Green	
D535,974 S *	1/2007	Alwicker et al.	D14/188
D579,443 S *	10/2008	Donovan et al.	D14/217
D587,227 S *	2/2009	Sugiyama	D14/500
D599,754 S *	9/2009	Xie et al.	D14/125
D609,687 S *	2/2010	Lyman et al.	D14/155
D647,504 S *	10/2011	Choi	D14/209.1
D675,594 S *	2/2013	Lee	D14/188

* cited by examiner

Primary Examiner — Sandra Morris

(74) *Attorney, Agent, or Firm* — Bose Corporation

(57) **CLAIM**

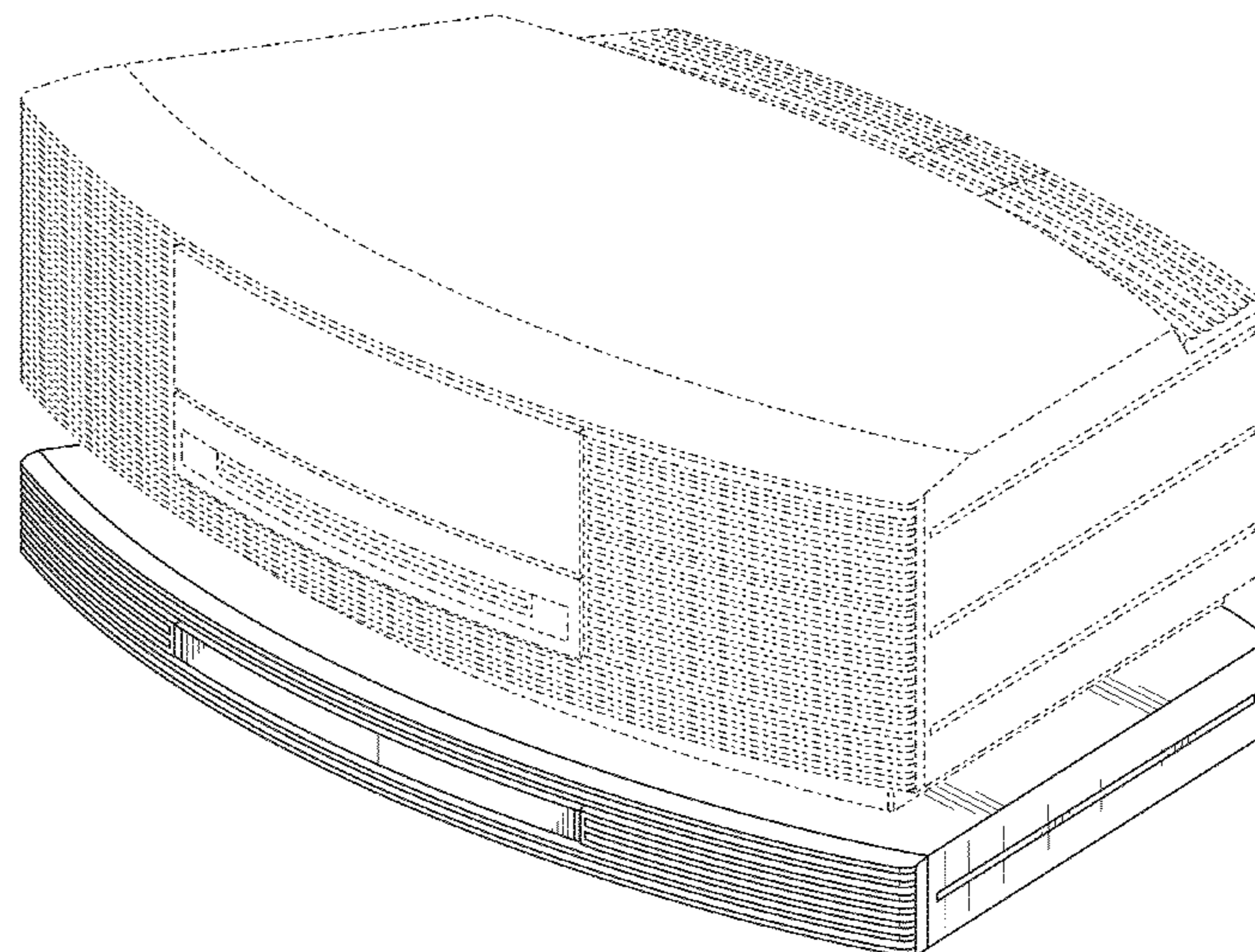
The ornamental design for an audio system accessory, substantially as shown and described.

DESCRIPTION

FIG. 1 is a perspective view of an audio system as seen from the front, top and right side;
 FIG. 2 is a view of an audio system as seen from the front, top and right side with some of the environmental structure removed;
 FIG. 3 is a front view thereof;
 FIG. 4 is a back view thereof;
 FIG. 5 is a left side view thereof;
 FIG. 6 is a right side view thereof;
 FIG. 7 is a top view thereof; and,
 FIG. 8 is a bottom view thereof.
 The dotted line portions of the drawings represent environmental structure only and do not form part of the claimed design.

1 Claim, 8 Drawing Sheets

- (56) **References Cited**
U.S. PATENT DOCUMENTS
- 2,510,103 A 6/1950 Griffin
- 2,519,292 A 8/1950 Schaefer
- 3,496,297 A 2/1970 Brumberger
- 4,940,414 A 7/1990 Lee
- D419,558 S 1/2000 Bhavnani
- 6,049,290 A 4/2000 Halstead
- D428,612 S 7/2000 Scorrano
- 6,147,938 A 11/2000 Ogawa et al.
- D443,602 S 6/2001 Scorrano



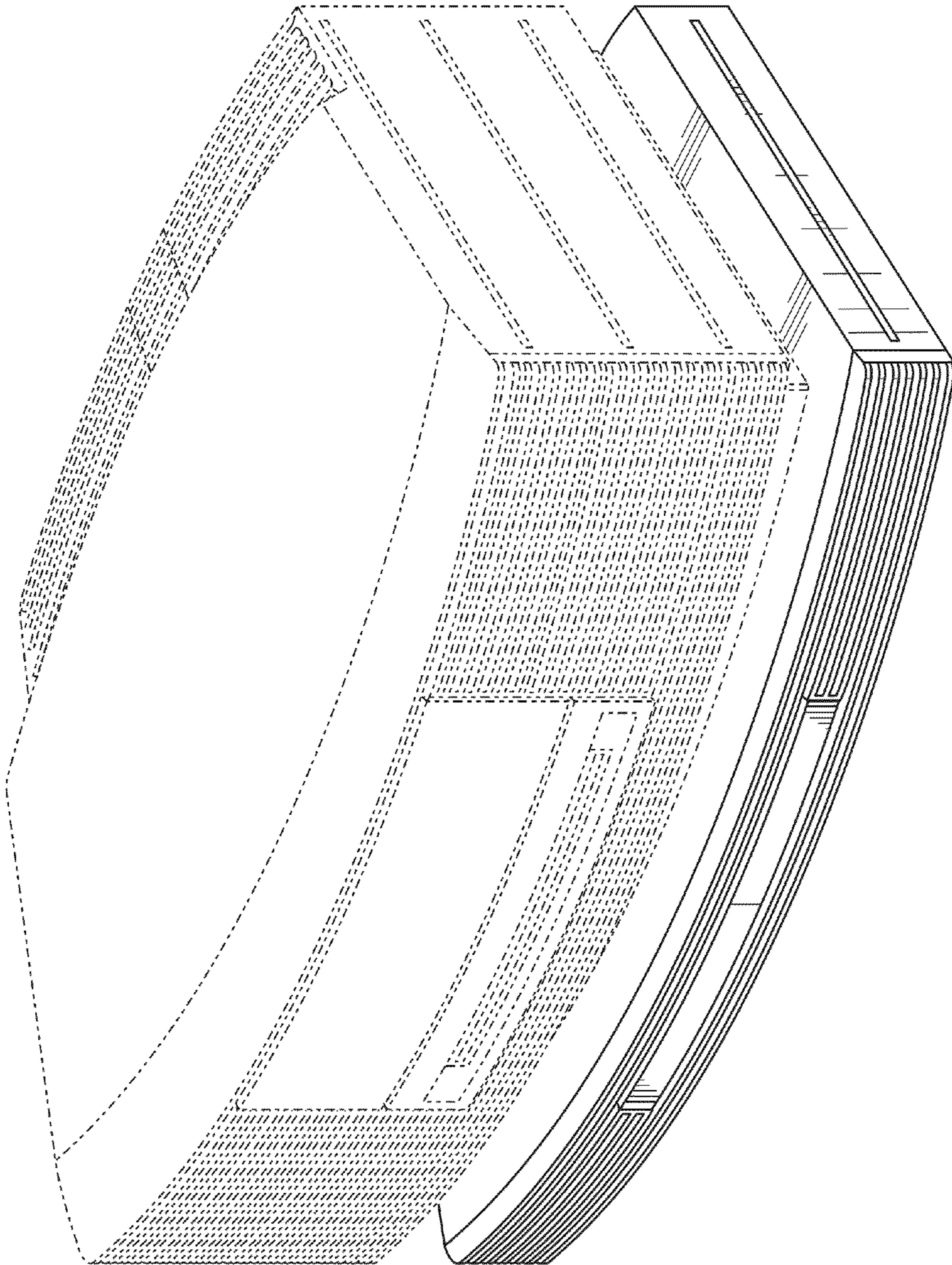


FIG. 1

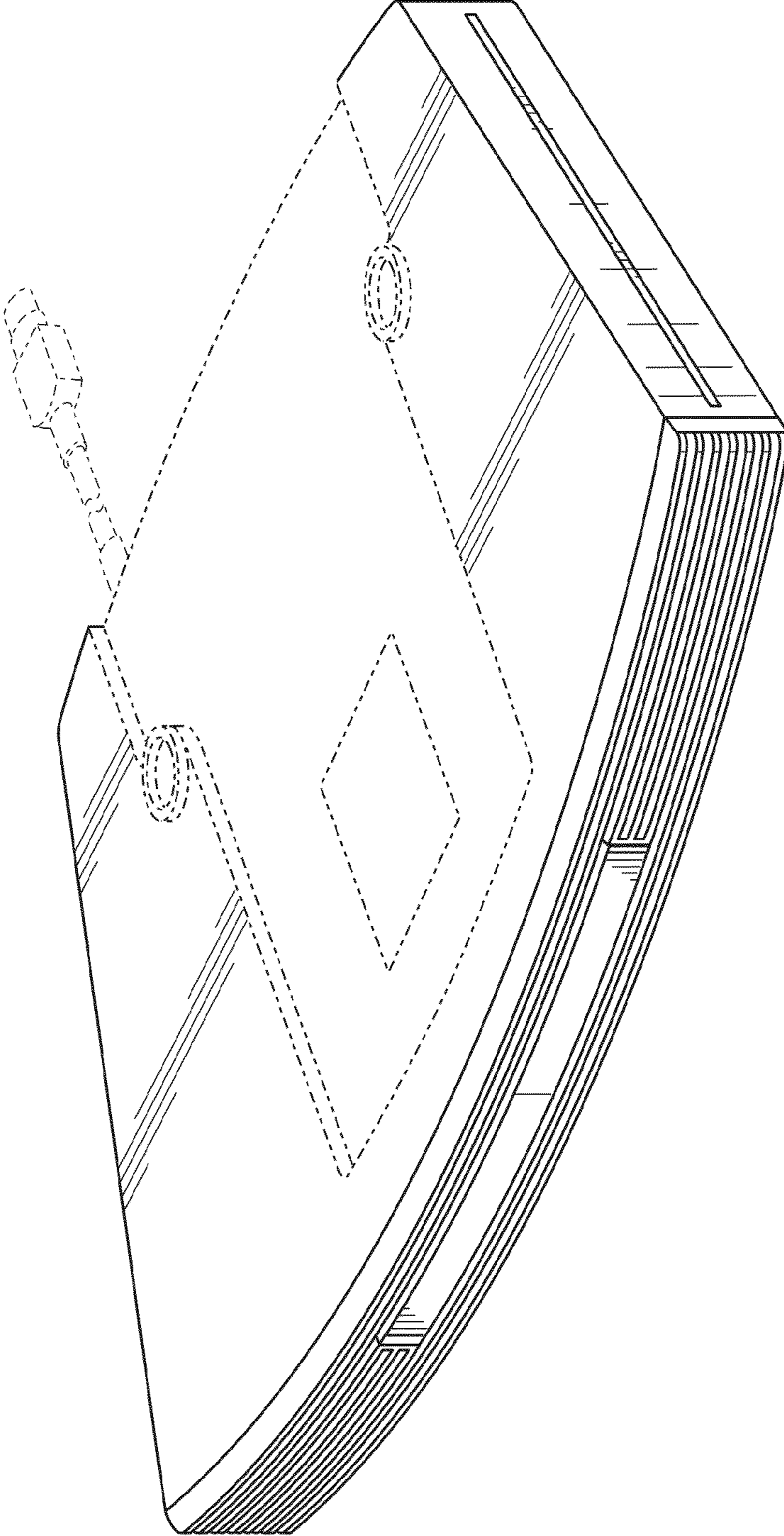


FIG. 2

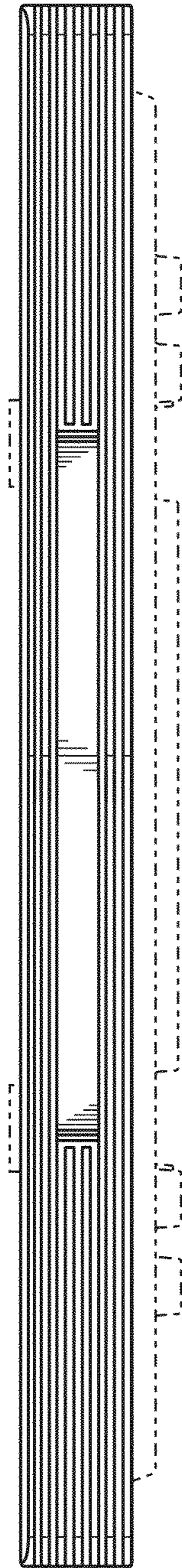


FIG. 3

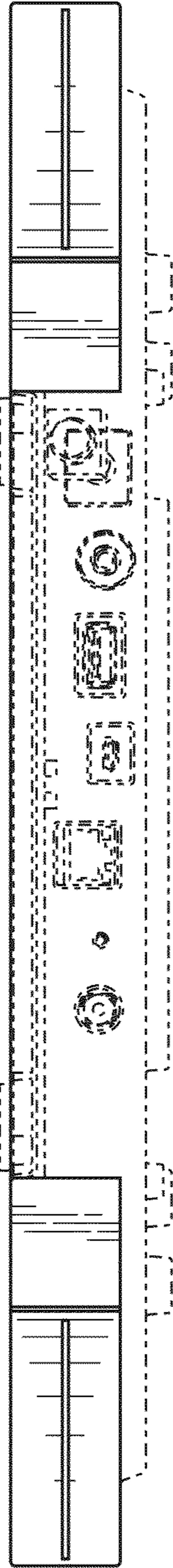


FIG. 4

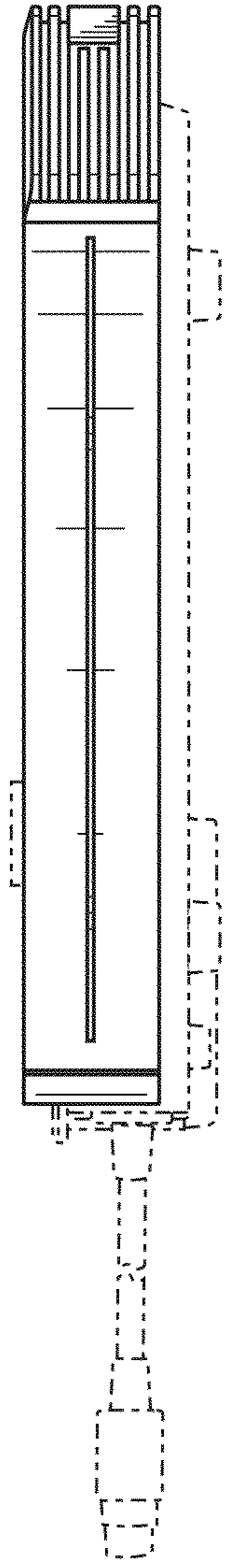


FIG. 5

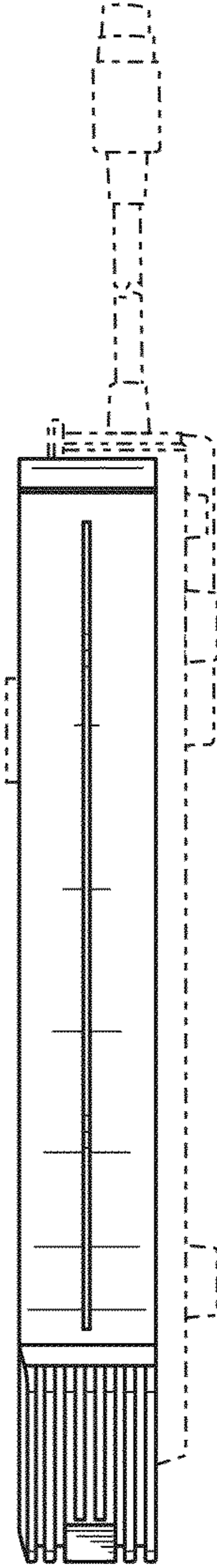


FIG. 6

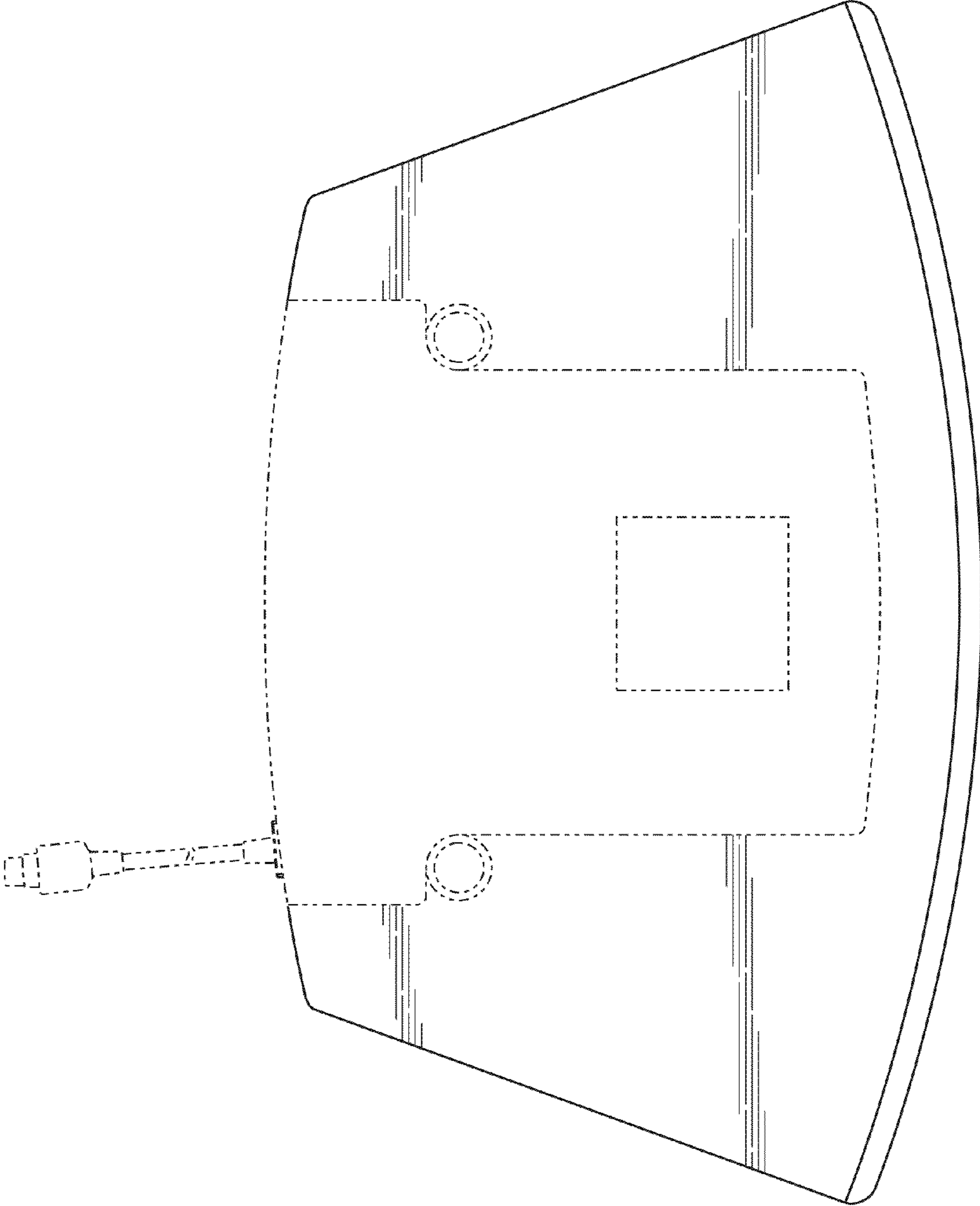


FIG. 7

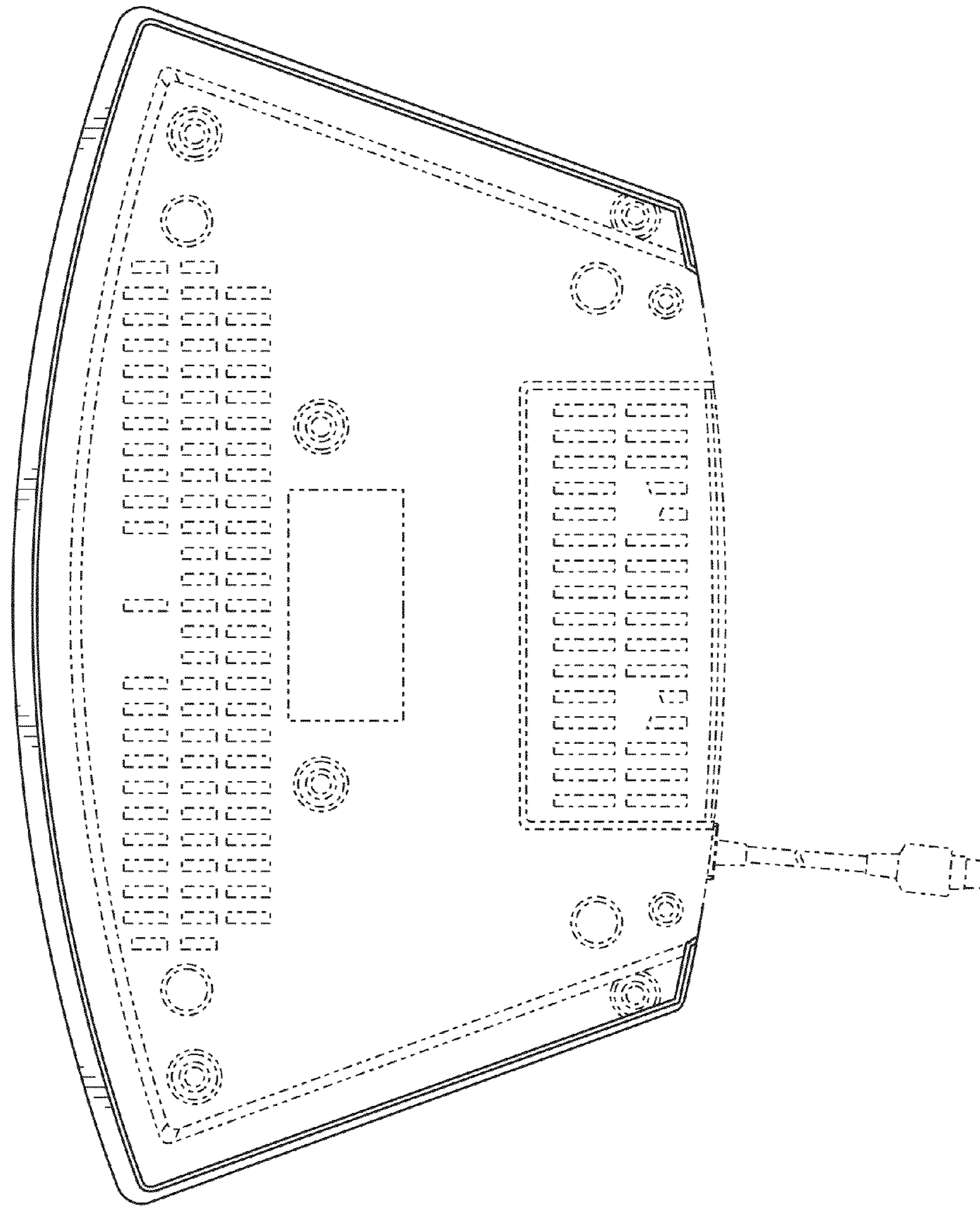


FIG. 8