



US00D732079S

(12) **United States Design Patent**  
**Xin**

(10) **Patent No.:** **US D732,079 S**  
(45) **Date of Patent:** **\*\* Jun. 16, 2015**

(54) **AUDIO SYSTEM ACCESSORY**

(71) Applicant: **Bose Corporation**, Framingham, MA  
(US)

(72) Inventor: **Huiying Xin**, Shenzhen (CN)

(73) Assignee: **Bose Corporation**, Framingham, MA  
(US)

(\*\*) Term: **14 Years**

(21) Appl. No.: **29/469,097**

(22) Filed: **Oct. 7, 2013**

(51) **LOC (10) Cl.** ..... **14-03**

(52) **U.S. Cl.**  
USPC ..... **D14/496; D14/188**

(58) **Field of Classification Search**  
USPC ..... D14/368, 125, 155, 496, 498-511,  
D14/168-171, 188, 193, 197-198, 203.1,  
D14/240, 358, 433; 455/90.1-90.3,  
455/344-355; 369/6-12; 312/7.1;  
720/600-601, 612, 619, 655

See application file for complete search history.

(56) **References Cited**

U.S. PATENT DOCUMENTS

D471,543	S	*	3/2003	Yang et al.	.....	D14/240
D473,208	S	*	4/2003	Solland	.....	D14/188
D473,209	S	*	4/2003	Solland	.....	D14/188
D473,210	S	*	4/2003	Solland	.....	D14/188
D595,735	S	*	7/2009	Green	.....	D14/496
D609,687	S	*	2/2010	Lyman et al.	.....	D14/155
D620,900	S	*	8/2010	Harden et al.	.....	D14/125
D647,920	S	*	11/2011	Luo	.....	D14/496

\* cited by examiner

*Primary Examiner* — Sandra Morris

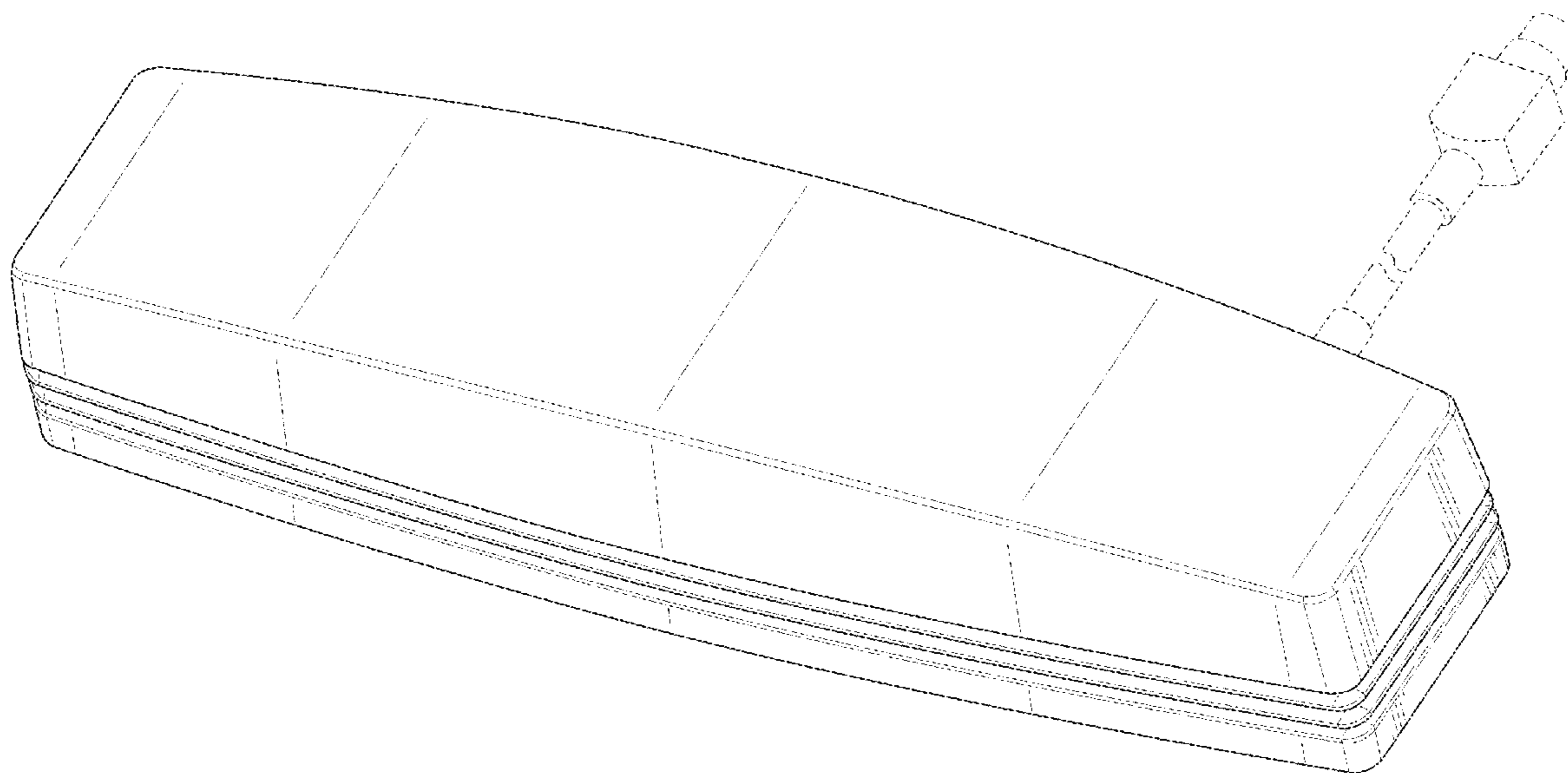
(57) **CLAIM**

The ornamental design for an audio system accessory, substantially as shown and described.

**DESCRIPTION**

FIG. 1 is a perspective view of an audio system accessory as seen from the front, top and right side;  
FIG. 2 is a front view thereof;  
FIG. 3 is a back view thereof;  
FIG. 4 is a right side view thereof;  
FIG. 5 is a left side view thereof;  
FIG. 6 is a top view thereof; and,  
FIG. 7 is a bottom view thereof.  
The dotted line portions of the drawings represent environmental structure only and do not form part of the claimed design.

**1 Claim, 7 Drawing Sheets**



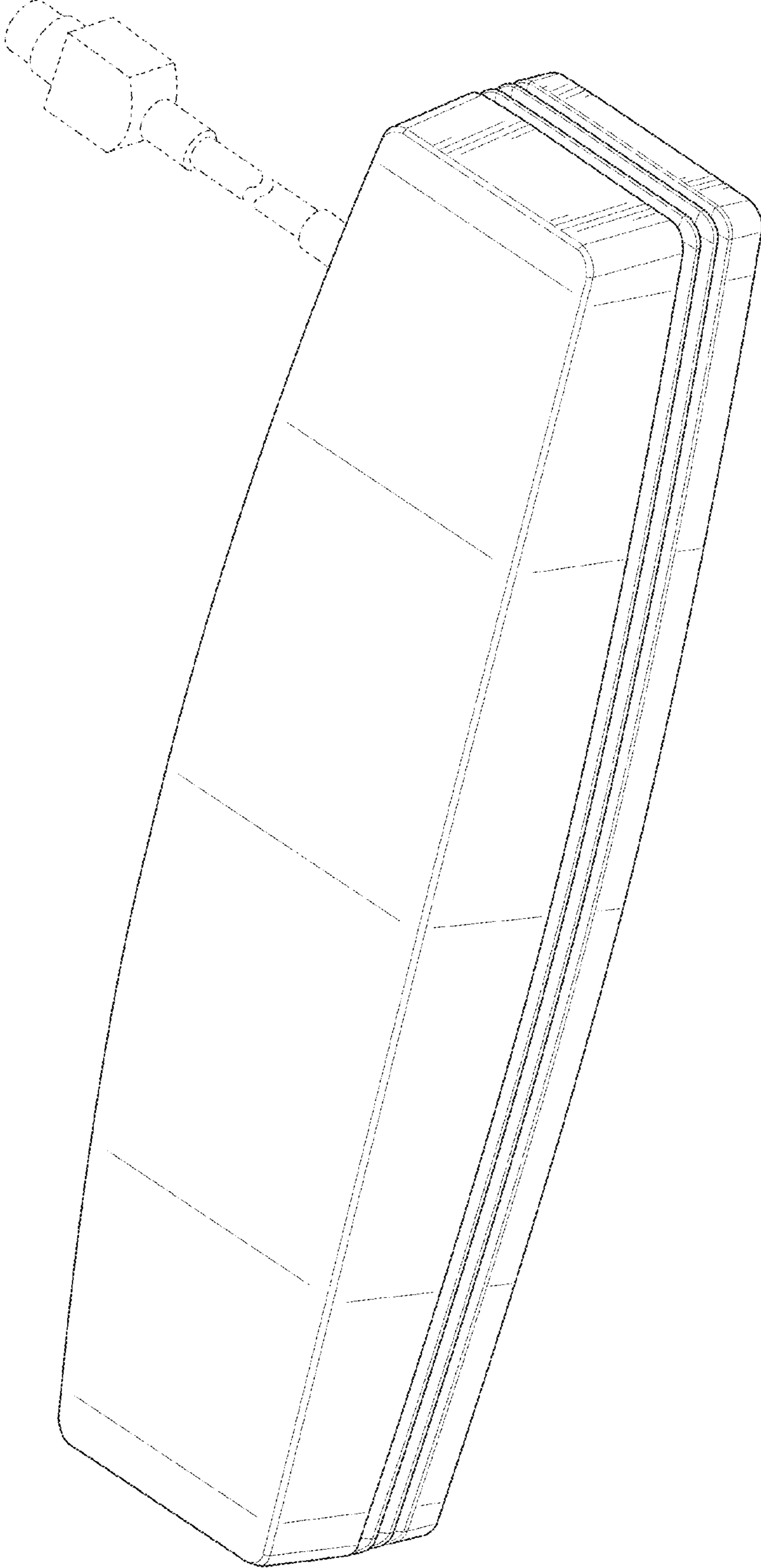


FIG. 1

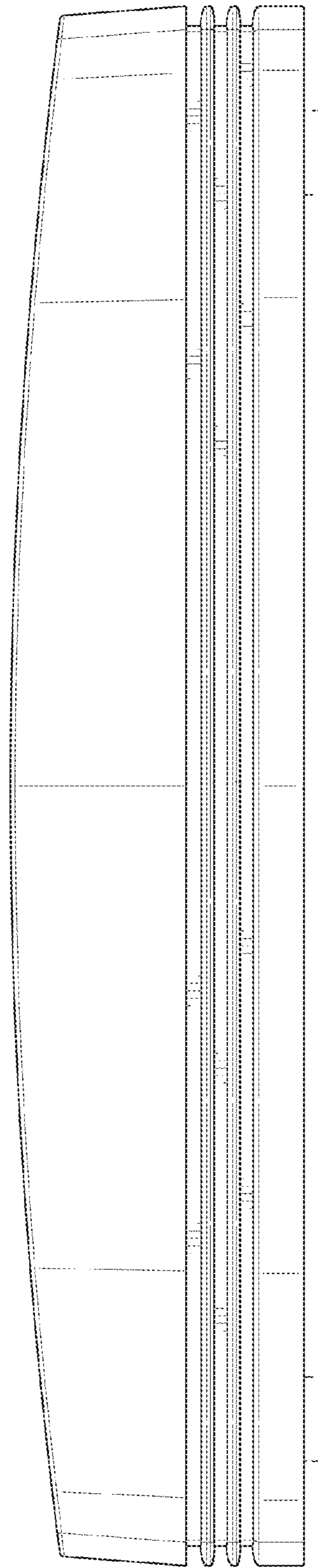


FIG. 2

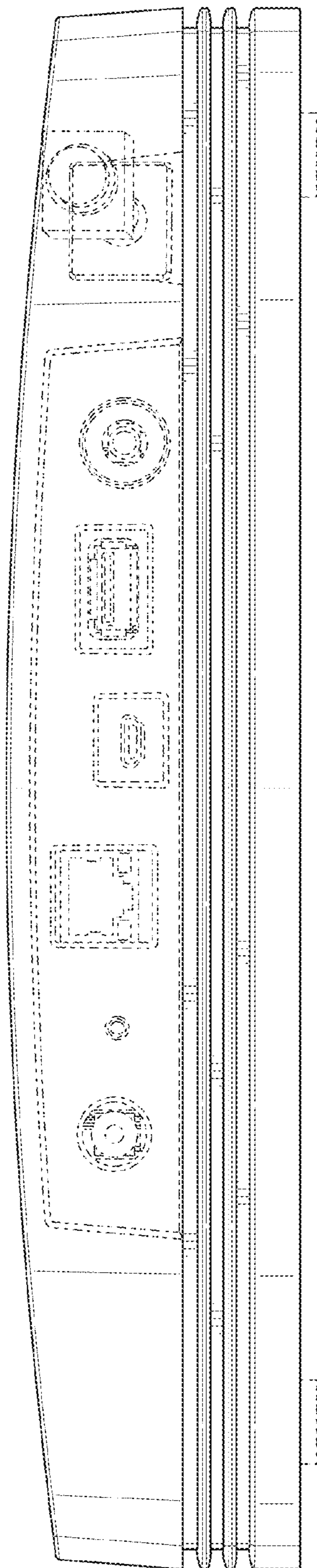


FIG. 3

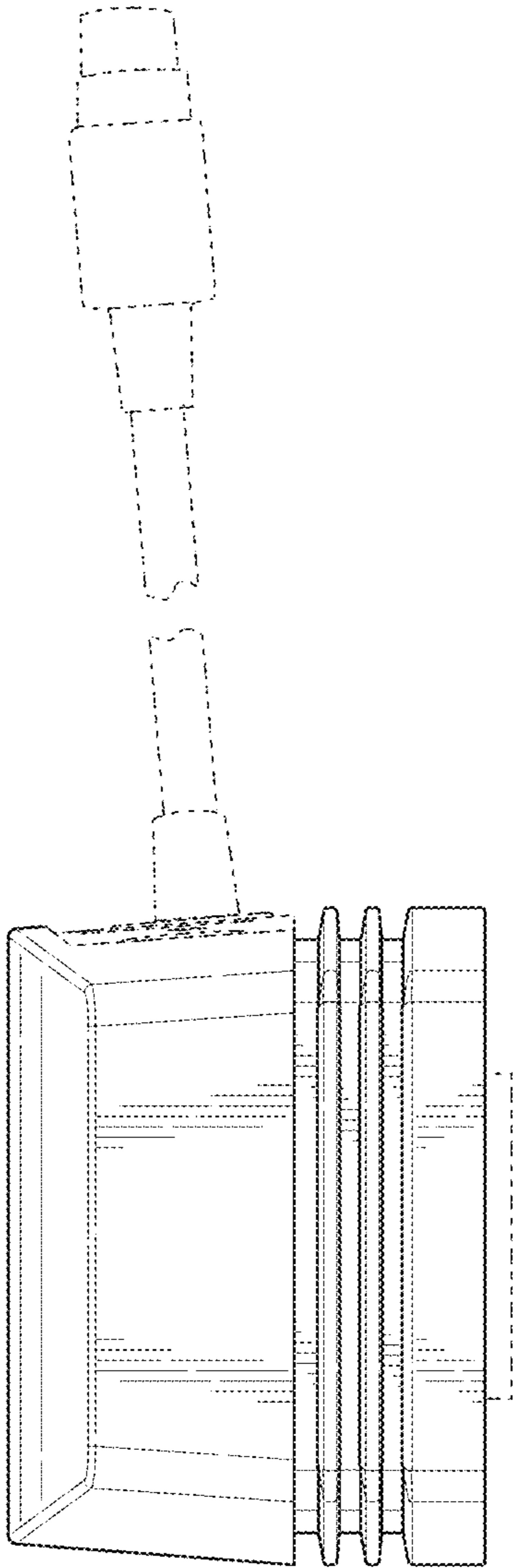


FIG. 4

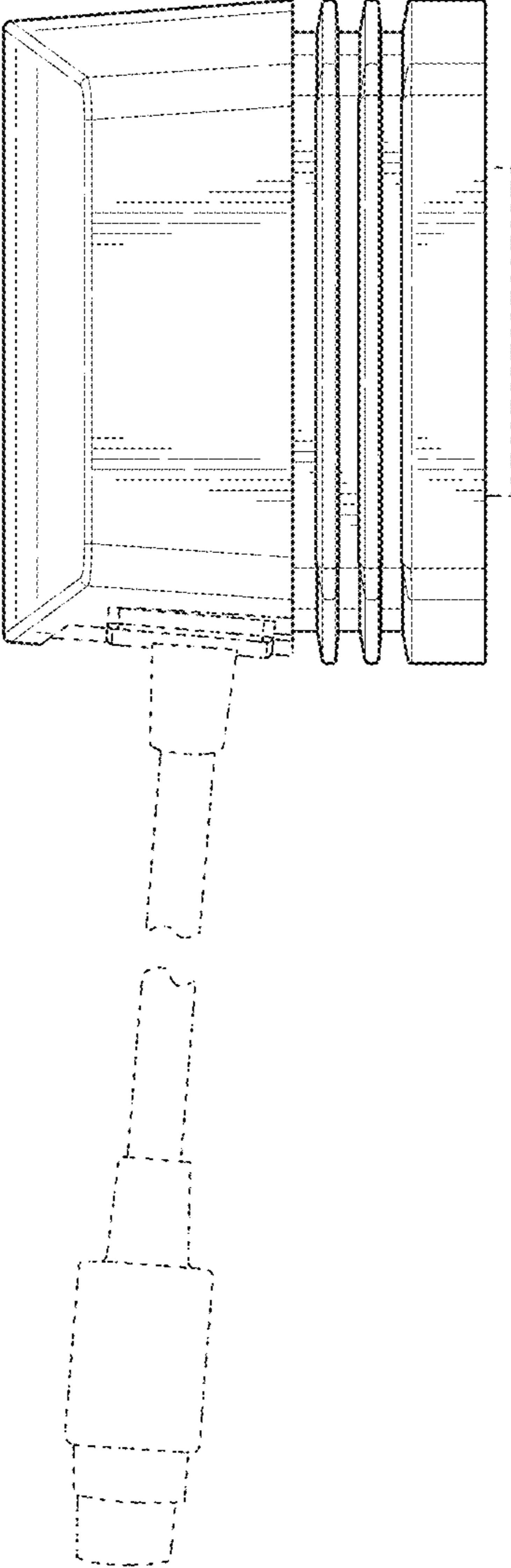


FIG. 5

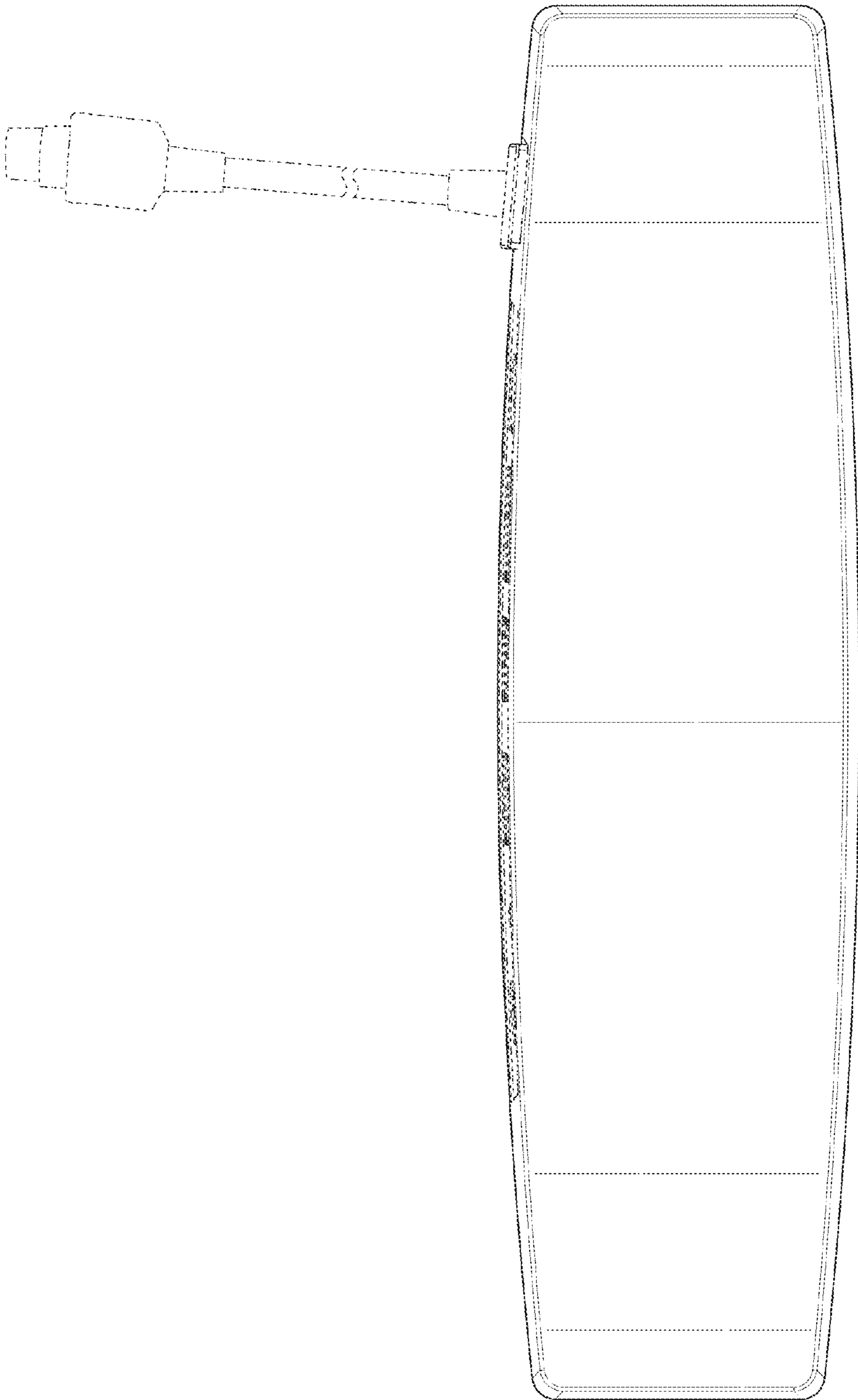


FIG. 6

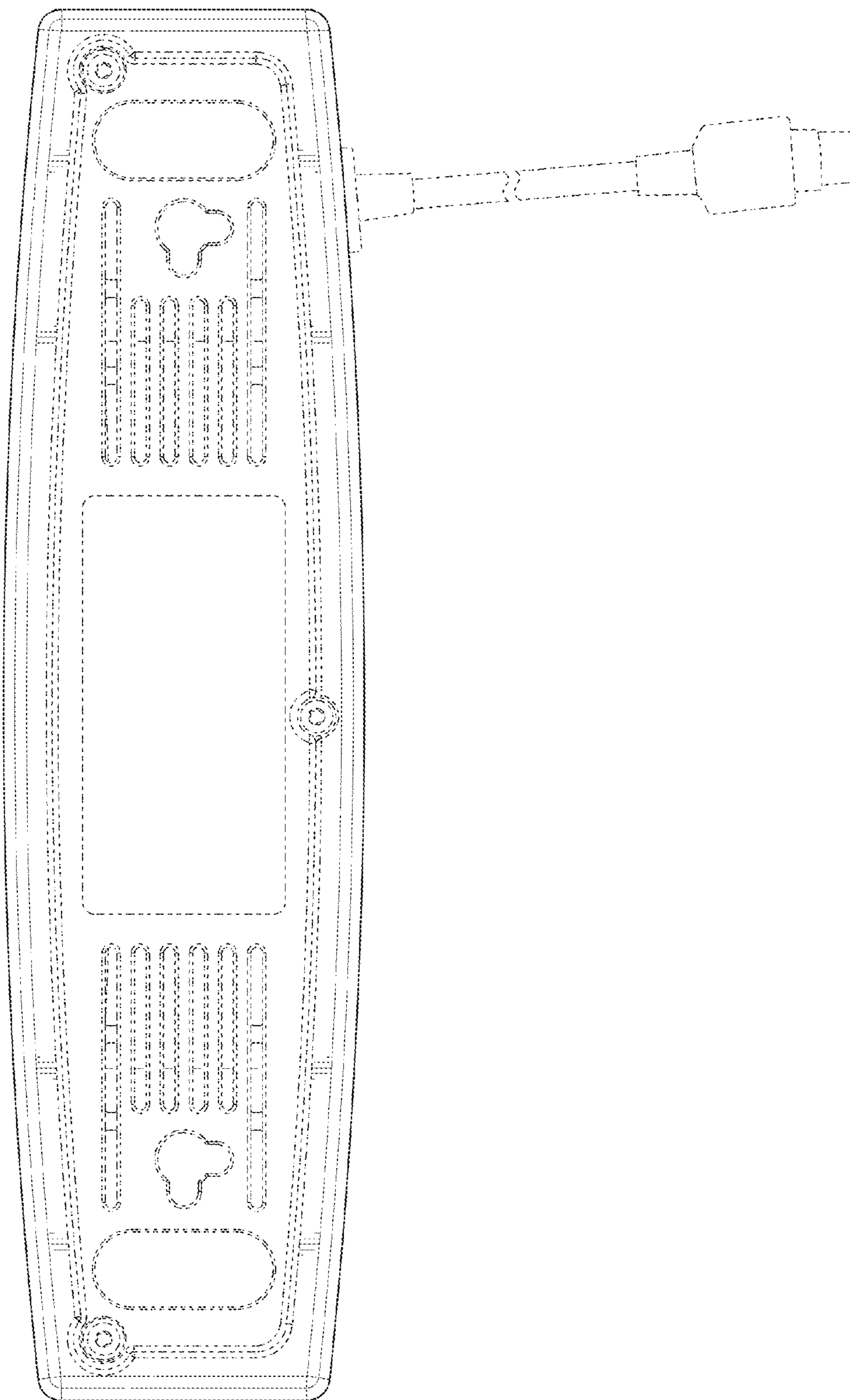


FIG. 7