



US00D732077S

(12) **United States Design Patent**
Kim

(10) **Patent No.:** **US D732,077 S**
(45) **Date of Patent:** **** Jun. 16, 2015**

(54) **DISPLAY SCREEN OR PORTION THEREOF WITH ANIMATED ICON**

(71) Applicant: **Samsung Electronics Co., Ltd.**,
Suwon-si (KR)

(72) Inventor: **Min Hyung Kim**, Seoul (KR)

(73) Assignee: **Samsung Electronics Co., Ltd.**,
Suwon-si (KR)

(**) Term: **14 Years**

(21) Appl. No.: **29/459,422**

(22) Filed: **Jun. 28, 2013**

(30) **Foreign Application Priority Data**

Jan. 4, 2013 (KR) 30-2013-0000685

(51) **LOC (10) Cl.** **14-04**

(52) **U.S. Cl.**
USPC **D14/492**

(58) **Field of Classification Search**

USPC D14/485, 486, 487, 488, 489, 490, 491,
D14/492, 493, 494, 495; 715/786, 835, 836,
715/837, 839, 840, 846, 847, 974, 810, 838

CPC G06F 3/017; G06F 3/0485
See application file for complete search history.

(56) **References Cited**

U.S. PATENT DOCUMENTS

D3,184 S *	8/1868	Winslow	D20/25
7,327,347 B2 *	2/2008	Hilbert et al.	345/156
D641,373 S *	7/2011	Gardner et al.	D14/486
D643,438 S *	8/2011	Gardner et al.	D14/486
D644,661 S *	9/2011	Gardner et al.	D14/495
D644,662 S *	9/2011	Gardner et al.	D14/495
D644,663 S *	9/2011	Gardner et al.	D14/495
D683,366 S *	5/2013	Gardner et al.	D14/495
D688,680 S *	8/2013	Fleischmann et al.	D14/486
D697,528 S *	1/2014	Vassigh et al.	D14/488

(Continued)

OTHER PUBLICATIONS

U.S. Trademark Serial #76511300, filed May 2, 2003 by Wireless Generation, Inc. First-use-in-commerce date Nov. 15, 2002.*

(Continued)

Primary Examiner — Karen E. Eldridge Powers

Assistant Examiner — Kimberly Barnes

(74) *Attorney, Agent, or Firm* — NSIP Law

(57) **CLAIM**

The ornamental design for a display screen or portion thereof with animated icon, as shown and described.

DESCRIPTION

The file of this patent contains at least one drawing/photograph executed in color. Copies of this patent with color drawing(s)/photograph(s) will be provided by the Office upon request and payment of the necessary fee.

FIG. 1 is a first image in a sequence for a display screen or portion thereof with animated icon showing my new design; FIG. 2 is a second image thereof;

FIG. 3 is a third image thereof;

FIG. 4 is a fourth image thereof; and,

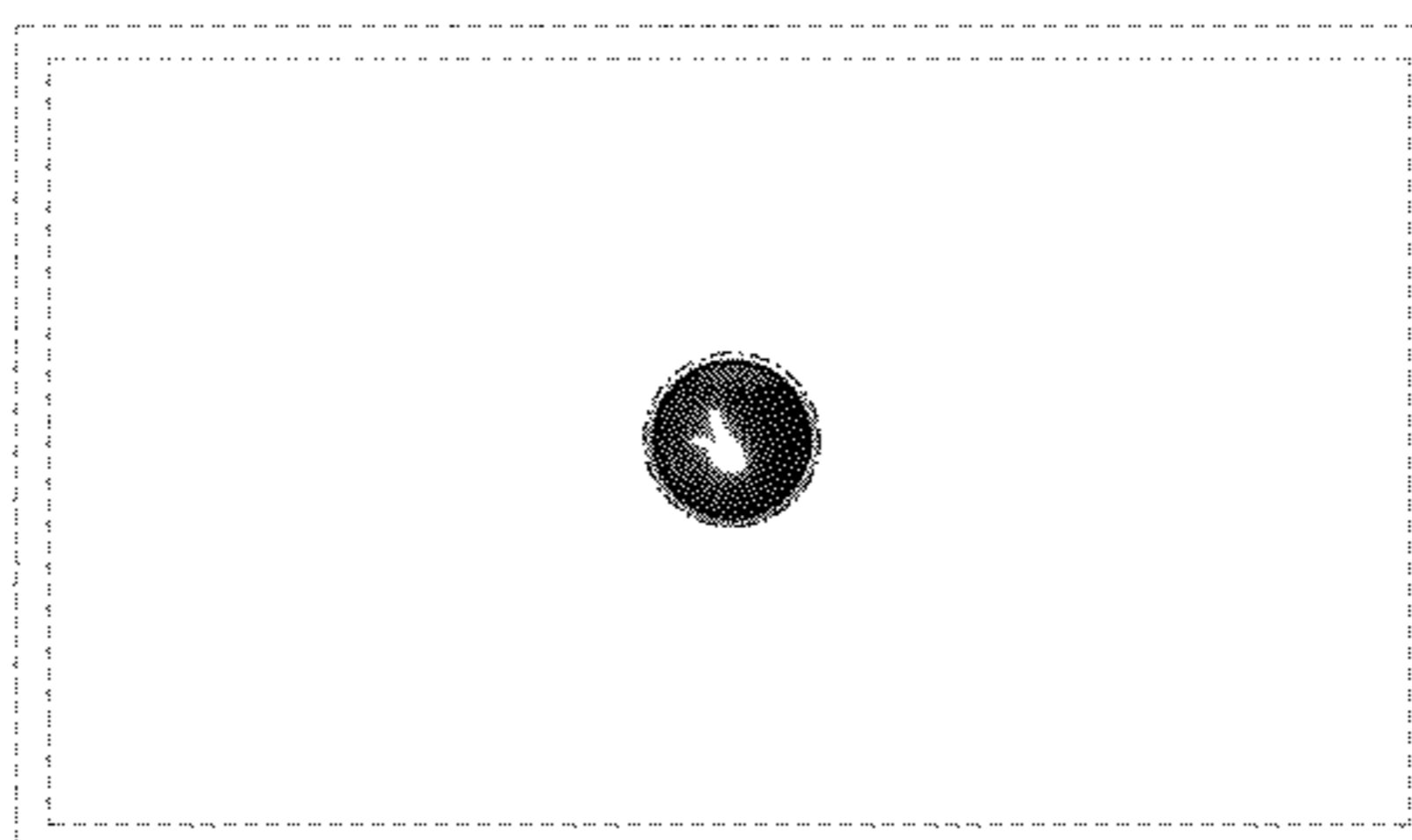
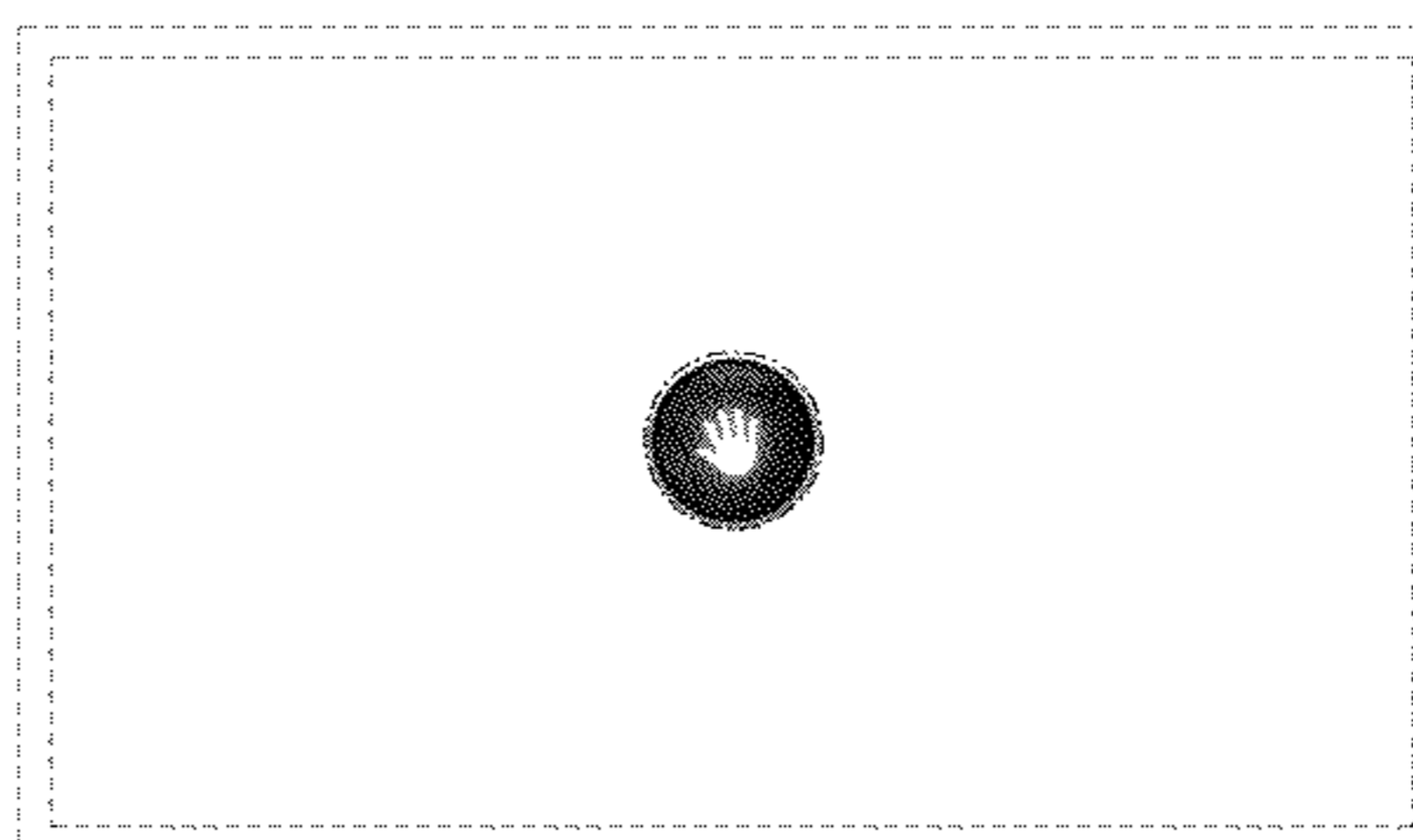
FIG. 5 is a fifth image thereof.

The broken lines illustrating portions of the display screen or portion thereof with animated icon are for environmental purposes only and form no part of the claimed design.

The broken-line outline of a circle shown with a short-and-long dash pattern in FIGS. 1-5 illustrates the bounds of the icon and forms no part of the claimed design.

The appearance of the image transitions sequentially between the images shown in FIGS. 1-5. The process or period in which one image transitions to another forms no part of the claimed design.

1 Claim, 5 Drawing Sheets
(5 of 5 Drawing Sheet(s) Filed in Color)



(56)

References Cited

U.S. PATENT DOCUMENTS

8,762,886	B2 *	6/2014	Lietzke et al.	715/835
D714,811	S *	10/2014	Kim et al.	D14/485
D714,812	S *	10/2014	Kim et al.	D14/485
D719,586	S *	12/2014	Jon	D14/495
2004/0141010	A1 *	7/2004	Fitzmaurice et al.	345/810
2007/0177803	A1 *	8/2007	Elias et al.	382/188
2009/0019348	A1 *	1/2009	King	715/205
2010/0083111	A1 *	4/2010	de los Reyes	715/702
2011/0012848	A1 *	1/2011	Li et al.	345/173
2013/0055126	A1 *	2/2013	Jackson et al.	715/769
2013/0219277	A1 *	8/2013	Wang et al.	715/728
2013/0227477	A1 *	8/2013	Yahav et al.	715/810
2013/0265220	A1 *	10/2013	Fleischmann et al.	345/156
2013/0278504	A1 *	10/2013	Tong et al.	345/158
2013/0345959	A1 *	12/2013	van Os et al.	701/408
2014/0125589	A1 *	5/2014	Kim et al.	345/157
2015/0000025	A1 *	1/2015	Clements	4/443

OTHER PUBLICATIONS

U.S. Registered Trademark #73263180, filed Feb. 27, 2006 by X-Tempo Designs LLC. First-use-in-commerce date May 1, 2006.*
 U.S. Registered Trademark #4242415, filed May 7, 2010 by Germfree LLC. First-use-in-commerce date Aug. 12, 2012.*
 U.S. Registered Trademark #4400582, filed Apr. 27, 2011 by Kinder World, LLC. First-use-in-commerce date May 12, 2013.*

U.S. Trademark Serial #86382715, filed Sep. 2, 2014 by Wisconsin Child Abuse and Neglect Prevention Board AKA Children's Trust Fund. Filed Sep. 2, 2014.*

U.S. Registered Trademark #2037308, filed Apr. 22, 1996 by Tina Yoxtheimer. First-use-in-commerce date Nov. 1, 1995.*

U.S. Trademark Serial #76541653, filed Aug. 25, 2003 by Brilliant Jewelers/MJJ Inc. Abandonment date Aug. 25, 2006.*

U.S. Registered Trademark #3000149, filed Jun. 21, 2004 by Dennis Grande, DBA The Turtle Company Inc. First-use-in-commerce date May 8, 2004.*

U.S. Trademark Serial #85681806, filed Jul. 19, 2012 by Invisible Threads, Inc. Abandonment date Jul. 17, 2014.*

U.S. Registered Trademark #4375303, filed Nov. 14, 2012 by New South Financial Services, Inc. First-use-in-commerce date Nov. 1, 2012.*

U.S. Trademark Serial #86362628, filed Aug. 11, 2014 by Reynolds Presto Products Inc. Published Jan. 6, 2015.*

U.S. Trademark Serial #86402019, filed Sep. 22, 2014 by Indian Peaks Brewing DBA Left Hand Brewing Company. First-use-in-commerce date Sep. 1, 2011.*

U.S. Trademark Serial #78011234, filed Jun. 5, 2000 by Inviziblehand, Inc. First-use-in-commerce date: Feb. 15, 2000.*

U.S. Registered Trademark #3919535, filed Jun. 29, 2010 by Active Solution LLC. First-use-in-commerce date: Dec. 1, 2002.*

* cited by examiner

FIG. 1

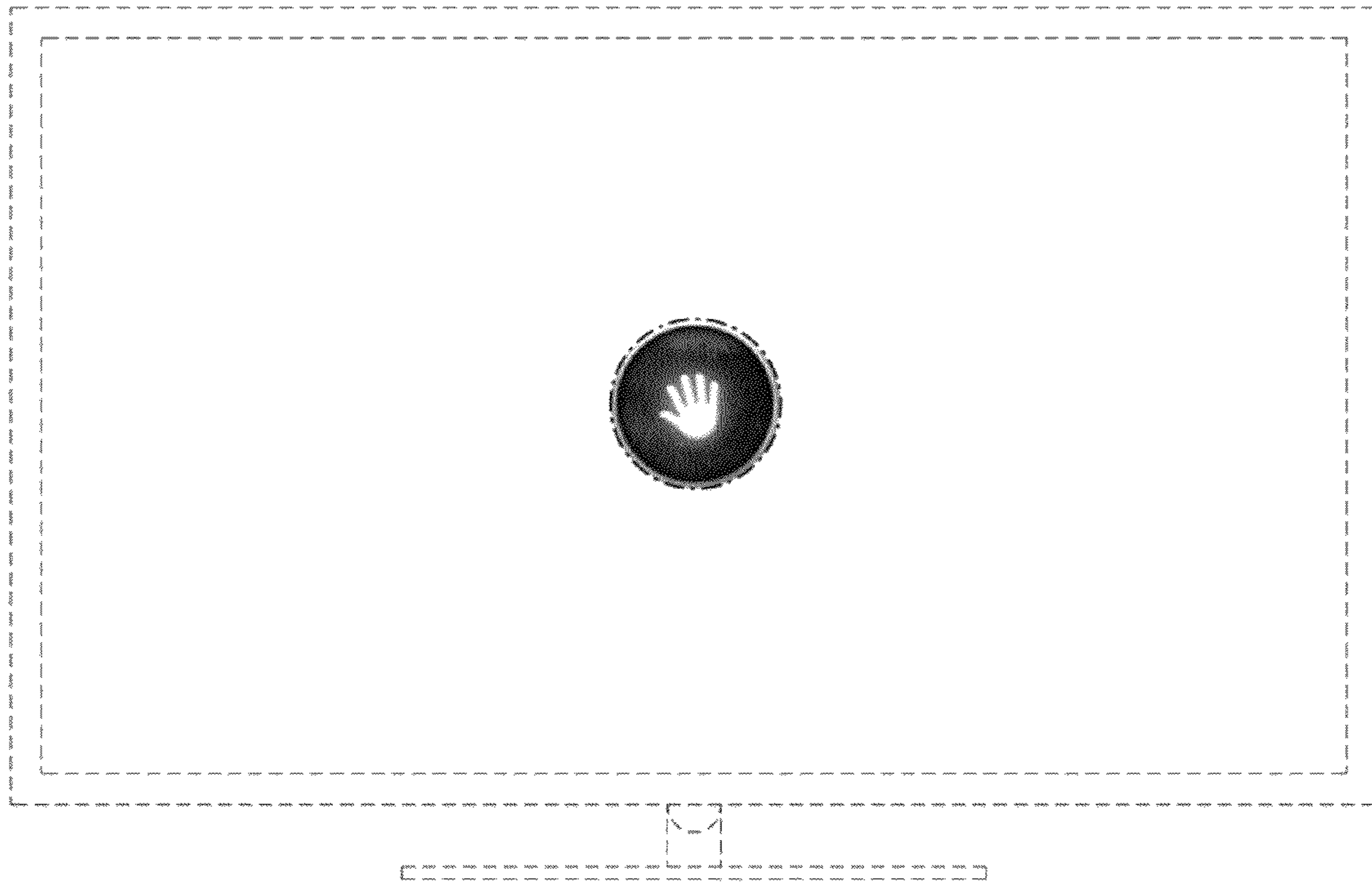


FIG. 2

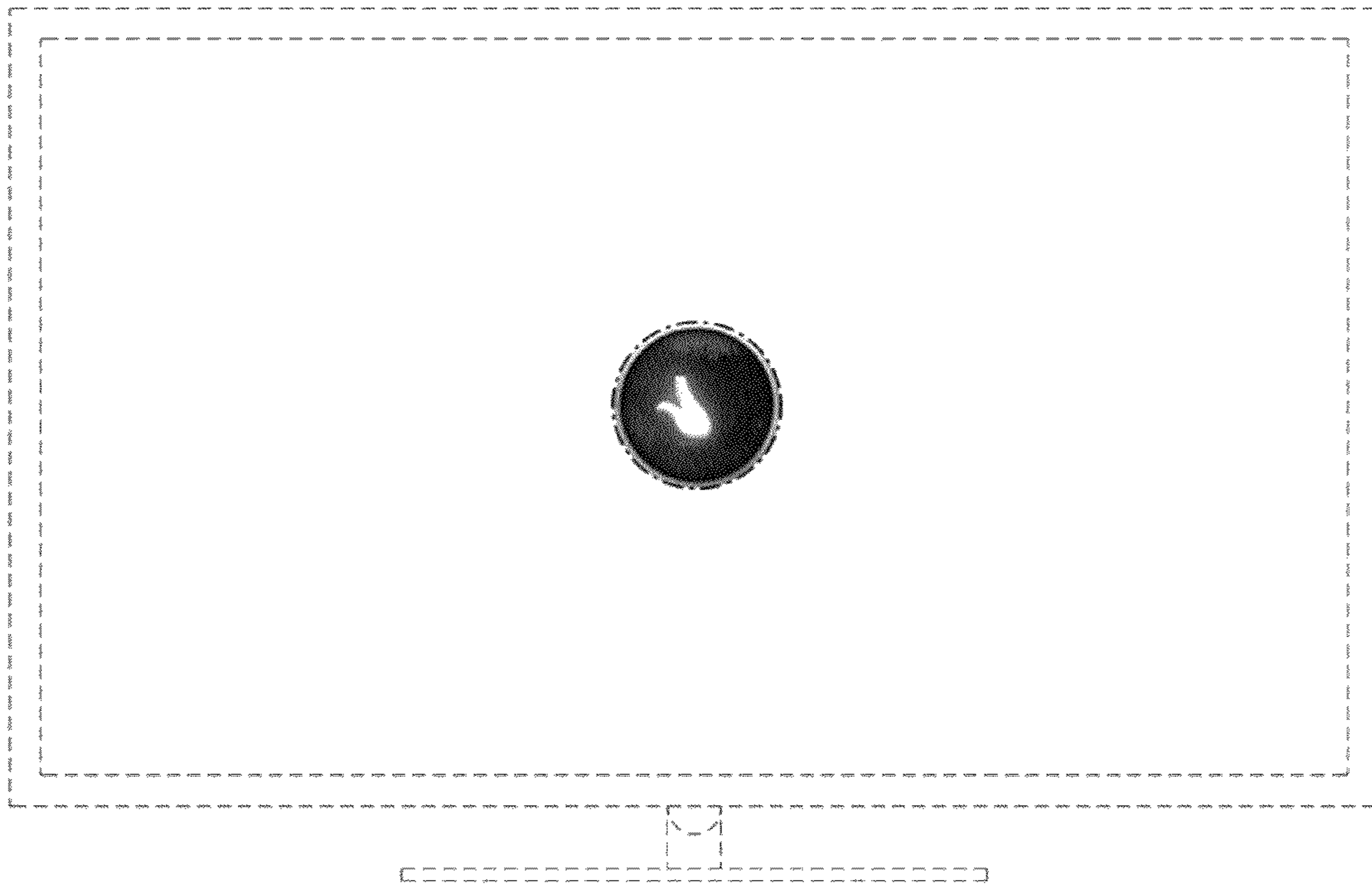


FIG. 3

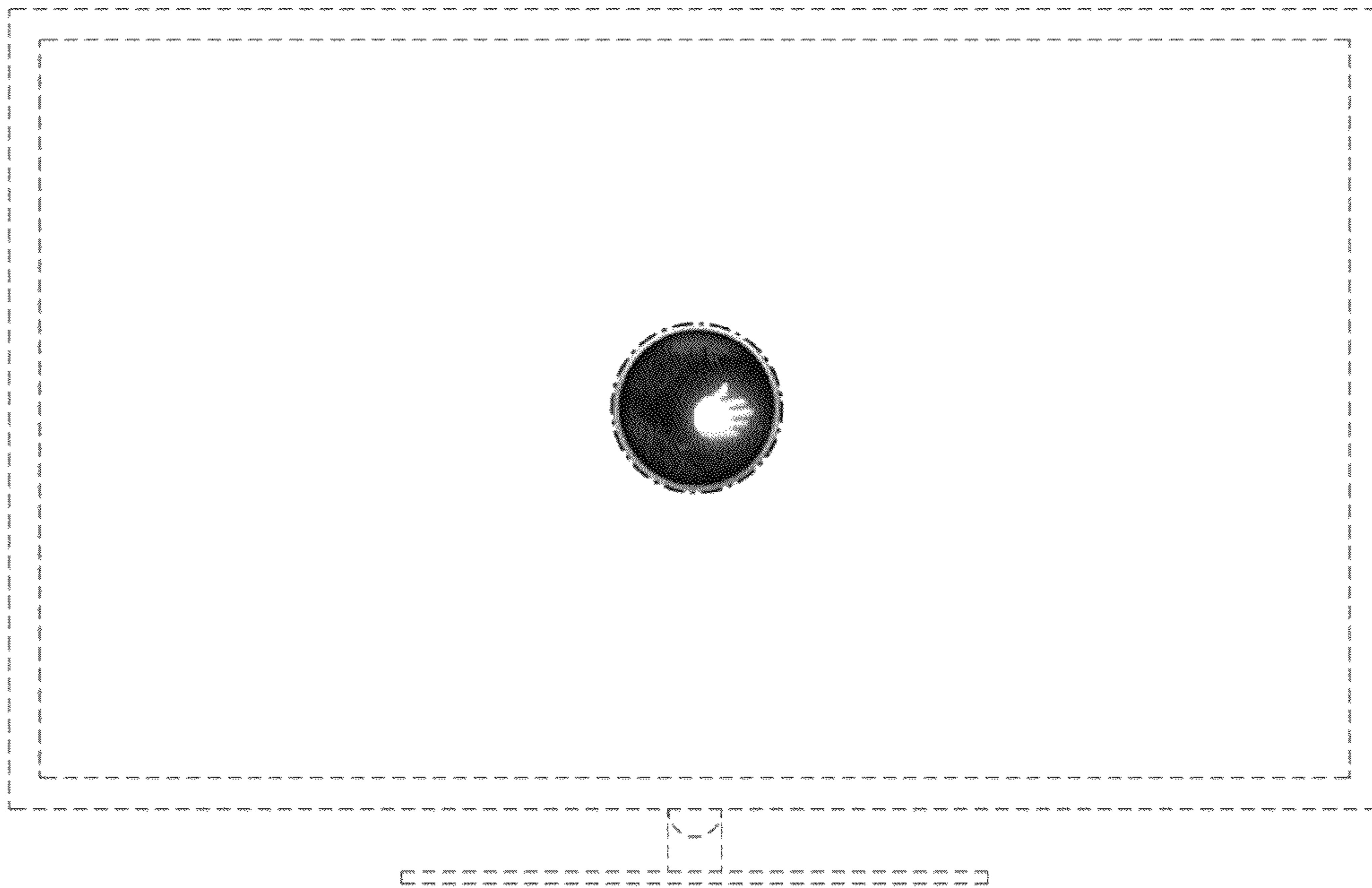


FIG. 4

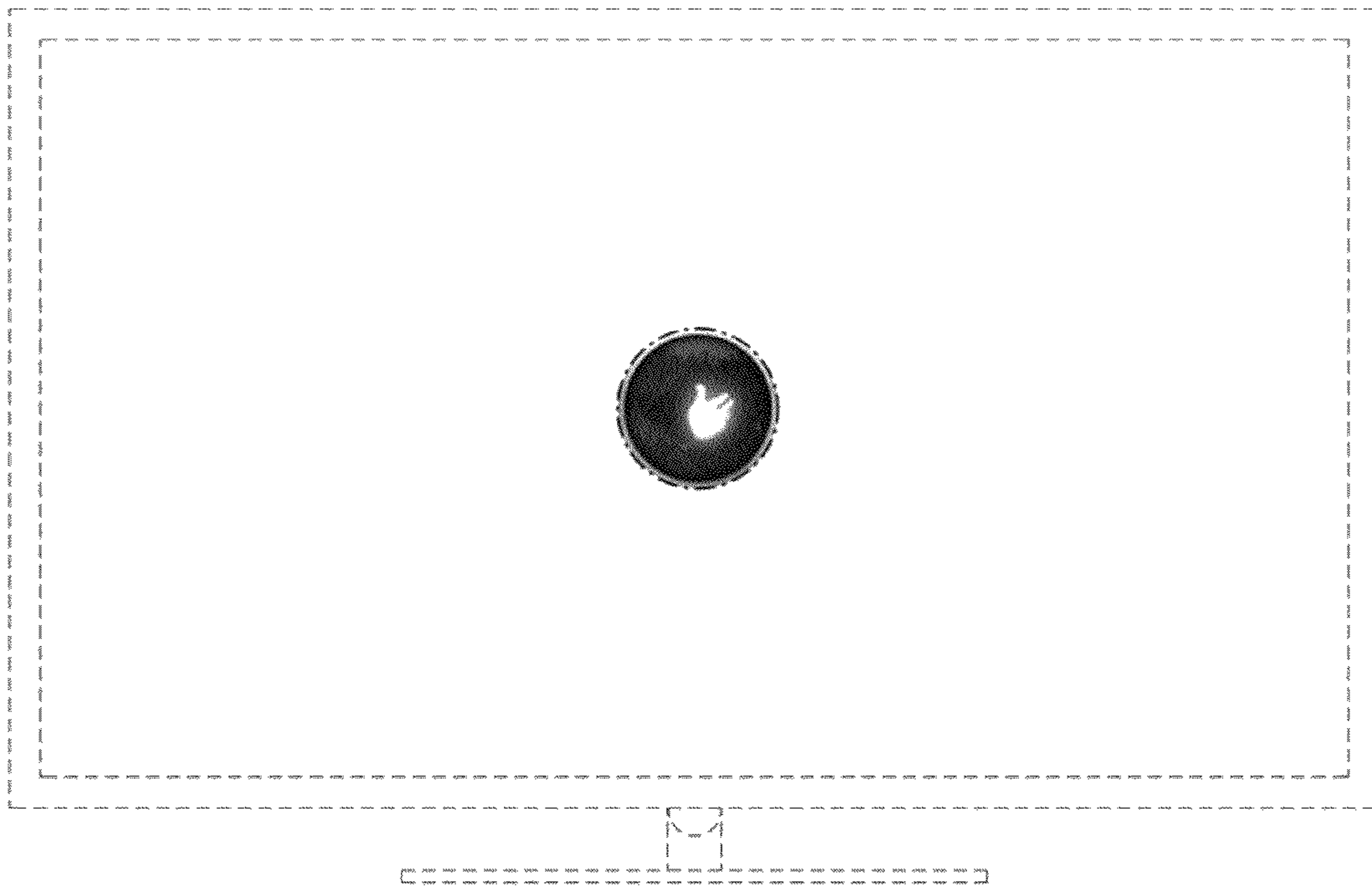


FIG. 5

