



US00D732076S

(12) **United States Design Patent**  
**Kim**

(10) **Patent No.:** **US D732,076 S**  
(45) **Date of Patent:** **\*\* Jun. 16, 2015**

(54) **DISPLAY SCREEN OR PORTION THEREOF WITH ANIMATED ICON**

(71) Applicant: **Samsung Electronics Co., Ltd.**,  
Suwon-si (KR)

(72) Inventor: **Min Hyung Kim**, Seoul (KR)

(73) Assignee: **Samsung Electronics Co., Ltd.**,  
Suwon-si (KR)

(\*\*) Term: **14 Years**

(21) Appl. No.: **29/459,424**

(22) Filed: **Jun. 28, 2013**

(30) **Foreign Application Priority Data**

Jan. 4, 2013 (KR) ..... 30-2013-0000687

(51) **LOC (10) Cl.** ..... **14-04**

(52) **U.S. Cl.**  
USPC ..... **D14/491**

(58) **Field of Classification Search**  
USPC ..... D14/485, 486, 487, 488, 489, 490, 491,  
D14/492, 493, 494, 495; 715/786, 835, 836,  
715/837, 839, 840, 846, 847, 974, 810, 838  
CPC ..... G06F 3/017; G06F 3/0485  
See application file for complete search history.

(56) **References Cited**

**U.S. PATENT DOCUMENTS**

D415,134 S \* 10/1999 Culp et al. .... D14/488  
D569,875 S \* 5/2008 Fletcher et al. .... D14/488  
7,636,542 B2 \* 12/2009 Washnock et al. .... 399/374  
D667,432 S \* 9/2012 Phelan ..... D14/491  
8,361,023 B2 \* 1/2013 Bedingfield ..... 604/131

(Continued)

**OTHER PUBLICATIONS**

U.S. Trademark Serial #78368860, filed on Feb. 17, 2004 by Invacare Corporation. Published date Dec. 14, 2004.\*

(Continued)

*Primary Examiner* — Karen E. Eldridge Powers

*Assistant Examiner* — Kimberly Barnes

(74) *Attorney, Agent, or Firm* — NSIP Law

(57) **CLAIM**

The ornamental design for a display screen or portion thereof with animated icon, as shown and described.

**DESCRIPTION**

The file of this patent contains at least one drawing/photograph executed in color. Copies of this patent with color drawing(s)/photograph(s) will be provided by the Office upon request and payment of the necessary fee.

FIG. 1 is a first image in a sequence for a display screen or portion thereof with animated graphical user interface showing my new design;

FIG. 2 is a second image thereof;

FIG. 3 is a third image thereof;

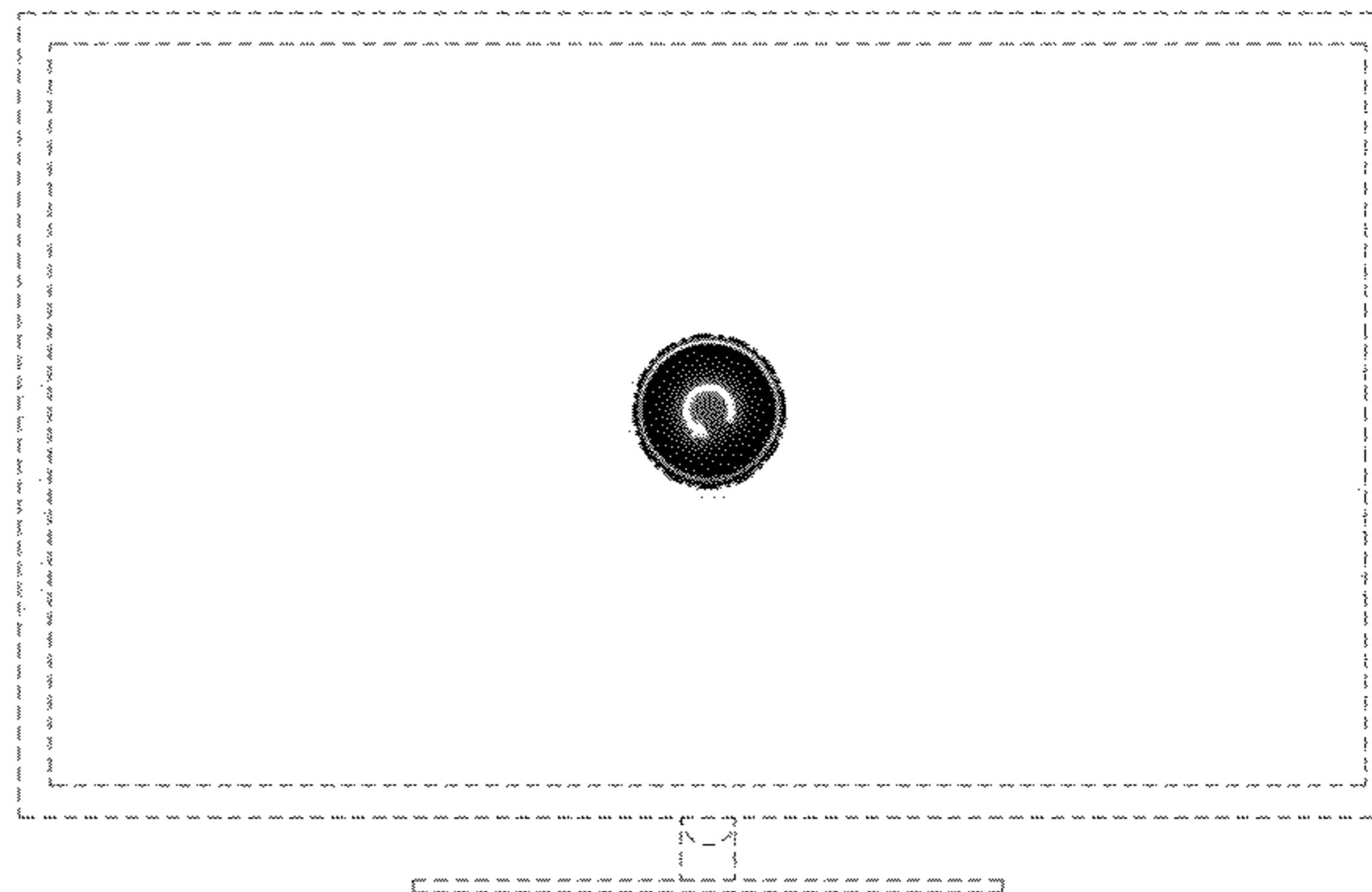
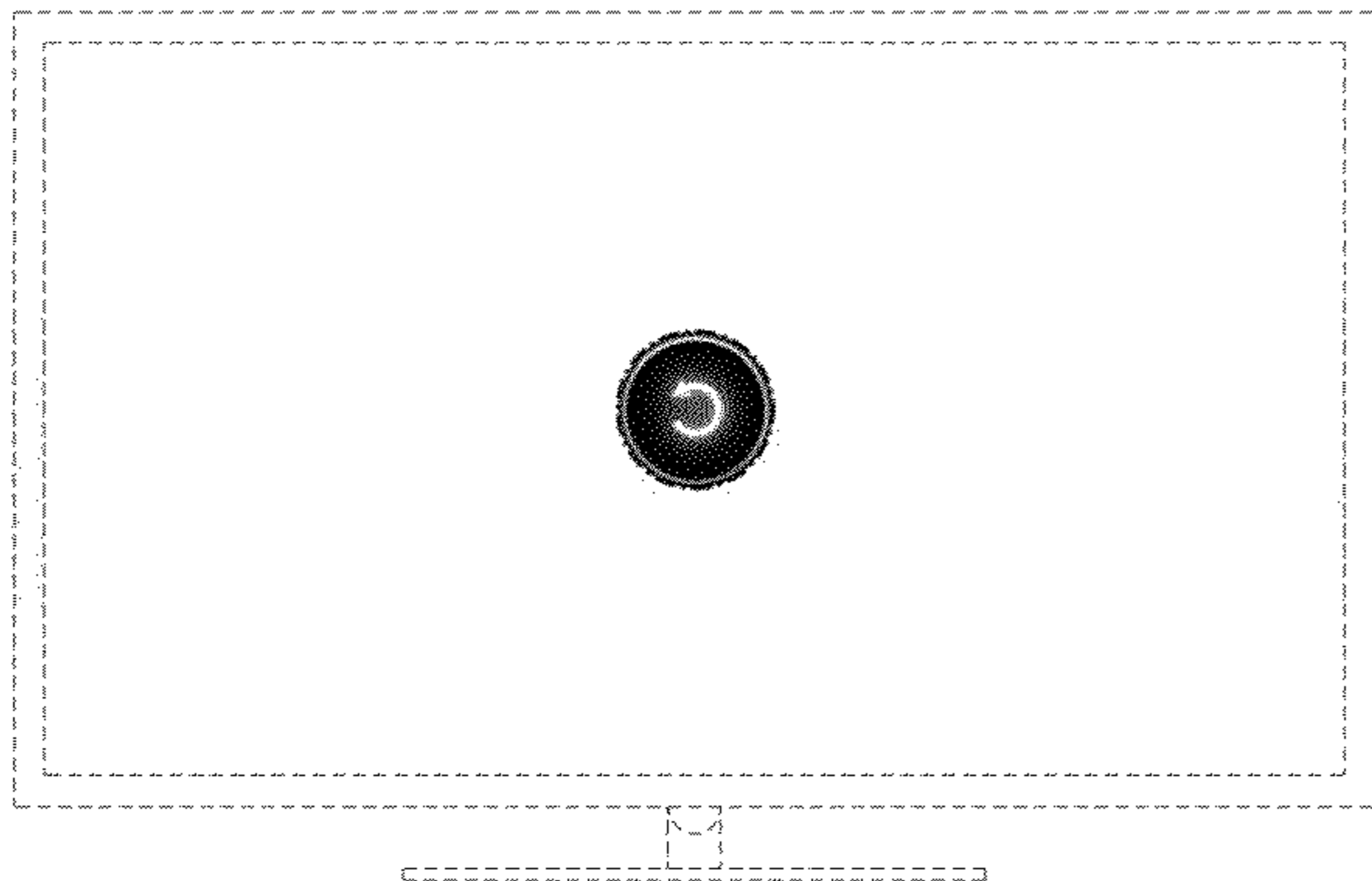
FIG. 4 is a fourth image thereof;

FIG. 5 is a fifth image thereof; and,

FIG. 6 is a sixth image thereof.

The broken lines illustrating portions of the display screen or portion thereof with animated graphical user interface are for environmental purposes only and form no part of the claimed design. The broken-line outline of a circle shown with a short-and-long dash pattern in FIGS. 1-6 illustrates the bounds of the icon and forms no part of the claimed design. The appearance of the image transitions sequentially between the images shown in FIGS. 1-6. The process or period in which one image transitions to another forms no part of the claimed design.

**1 Claim, 6 Drawing Sheets**  
**(6 of 6 Drawing Sheet(s) Filed in Color)**



(56)

**References Cited**

## U.S. PATENT DOCUMENTS

D676,458	S *	2/2013	Chaudhri .....	D14/489
D682,868	S *	5/2013	Frijlink .....	D14/487
8,622,845	B2 *	1/2014	Bissonnette et al. ....	473/199
D702,254	S *	4/2014	Radakovitz et al. ....	D14/488
D714,812	S *	10/2014	Kim et al. ....	D14/485
8,856,648	B2 *	10/2014	Yang et al. ....	715/702
D717,333	S *	11/2014	Shallcross et al. ....	D14/487
D721,091	S *	1/2015	Barling et al. ....	D14/487
2009/0319894	A1 *	12/2009	Markiewicz et al. ....	715/702
2010/0214246	A1 *	8/2010	Park .....	345/173
2011/0093888	A1 *	4/2011	Araki et al. ....	725/37
2012/0113147	A1 *	5/2012	Virtanen et al. ....	345/650
2014/0007022	A1 *	1/2014	Tocino Diaz et al. ....	715/863
2014/0096086	A1 *	4/2014	Cho .....	715/847
2014/0125589	A1 *	5/2014	Kim et al. ....	345/157
2014/0214762	A1 *	7/2014	Haas et al. ....	707/625

## OTHER PUBLICATIONS

U.S. Trademark Serial #78763450, filed on Nov. 30, 2005 by IDT Netherlands, B.V. (Puerto Rico Branch). Published date Oct. 2, 2007.\*

U.S. Registered Trademark #3543889, filed on Feb. 22, 2008 by First Climate AG. Published date Sep. 23, 2008.\*

U.S. Registered Trademark #4022044, filed on Jan. 3, 2011 by Parts Now! LLC. First-use-in-commerce date 2006.\*

U.S. Registered Trademark #4352539, filed Mar. 30, 2012 by Griswold International, LLC. First-use-in-commerce date Feb. 27, 2012.\*

U.S. Registered Trademark #4511316, filed Apr. 5, 2012 by Intersections Inc. First-use-in-commerce date Jun. 7, 2012.\*

U.S. Registered Trademark #4279155, filed May 31, 2012 by Parts Now! LLC. First-use-in-commerce date May 31, 2012.\*

U.S. Trademark Serial #78878250, filed May 6, 2006 by L.A. Import, Inc. Published Jan. 2, 2007.\*

\* cited by examiner

FIG. 1

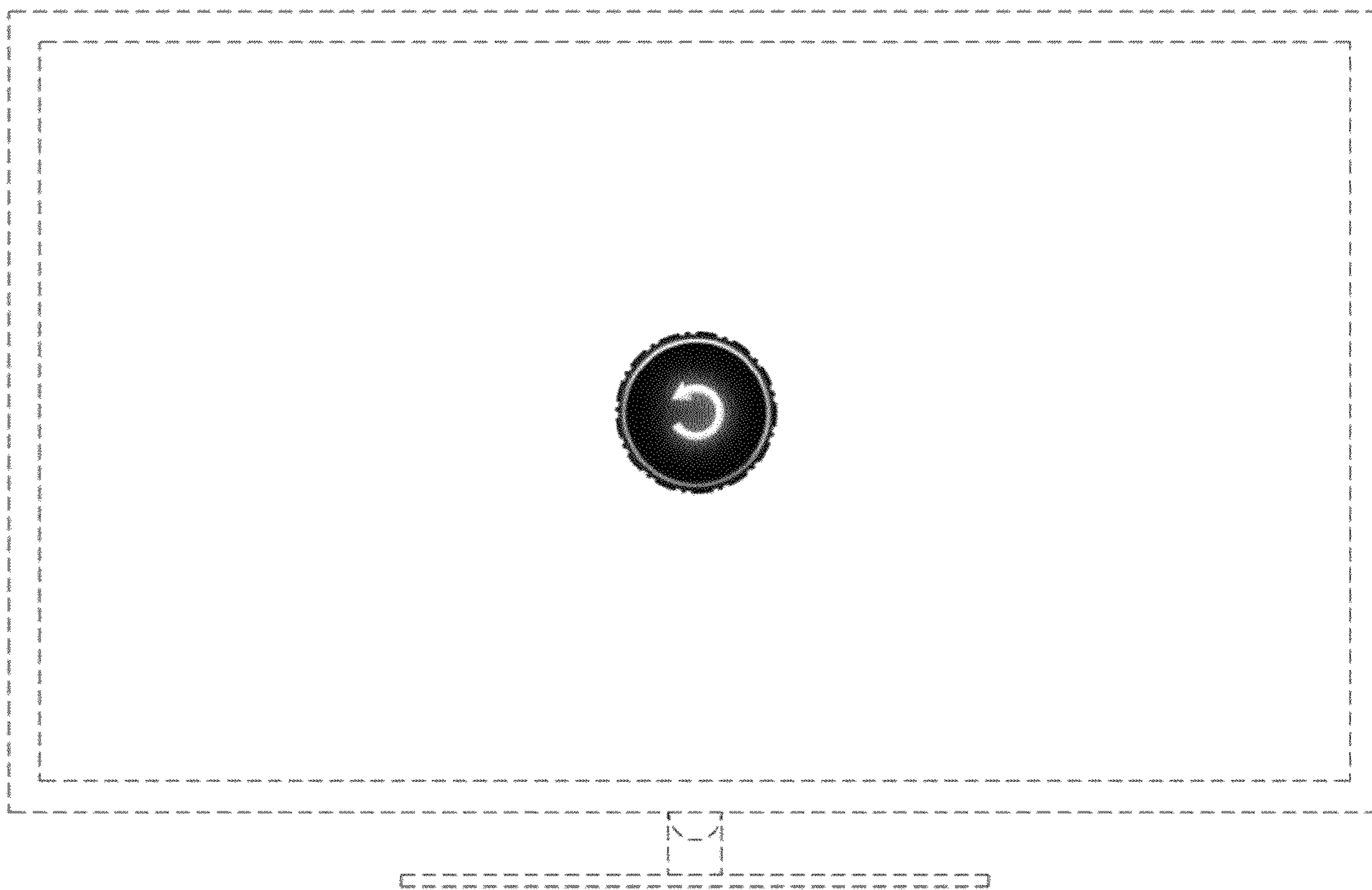


FIG. 2

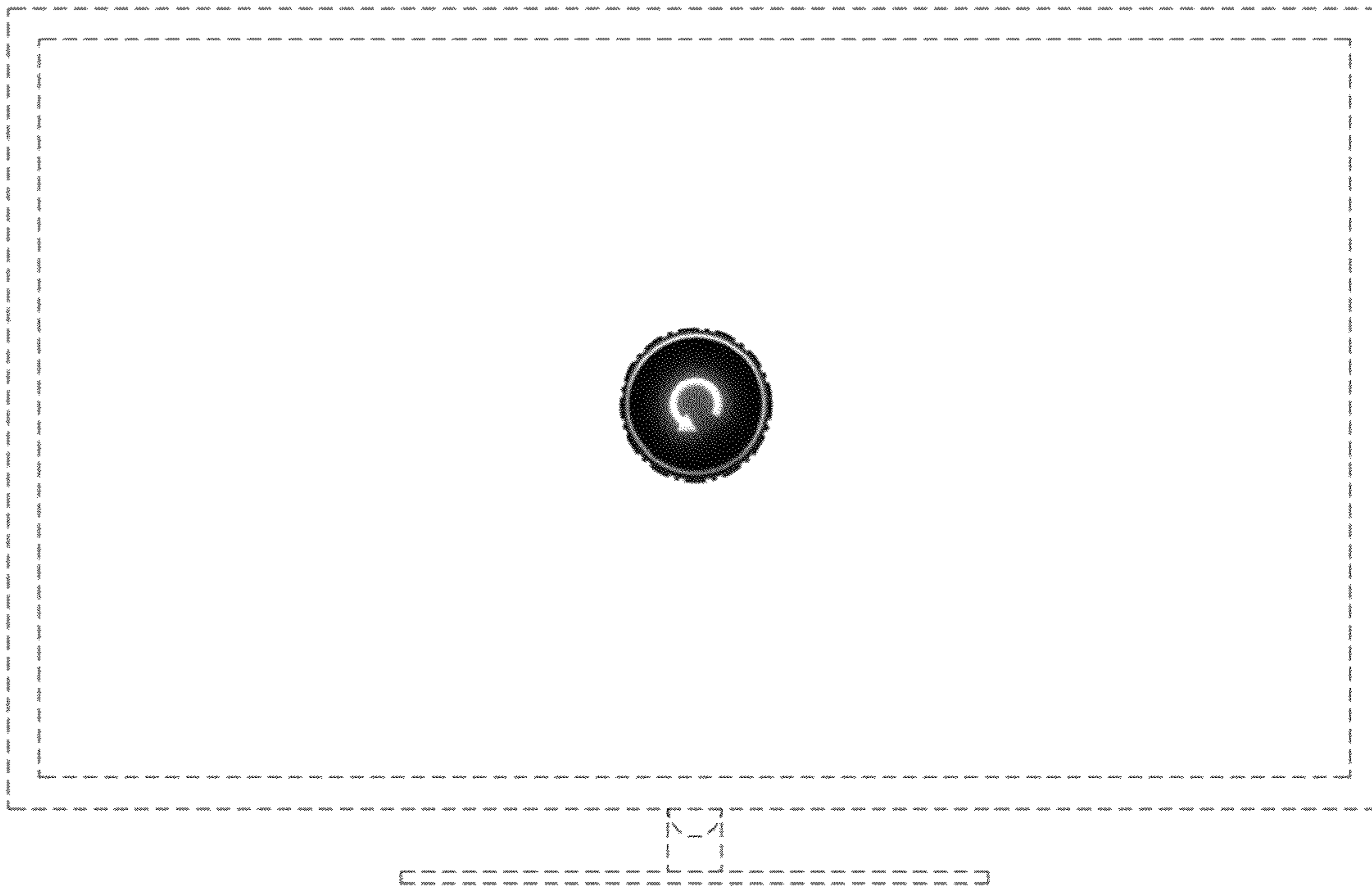


FIG. 3

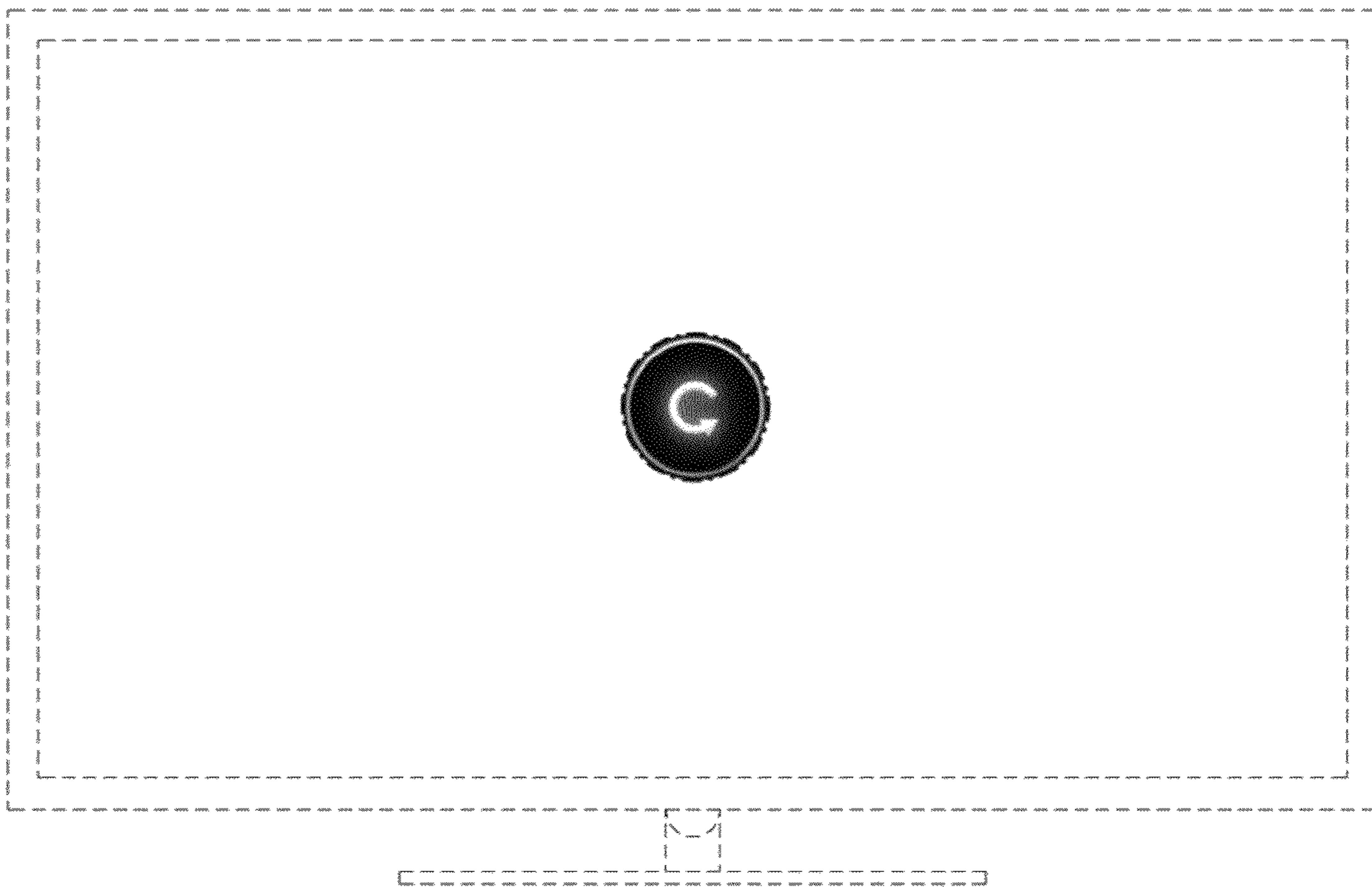


FIG. 4

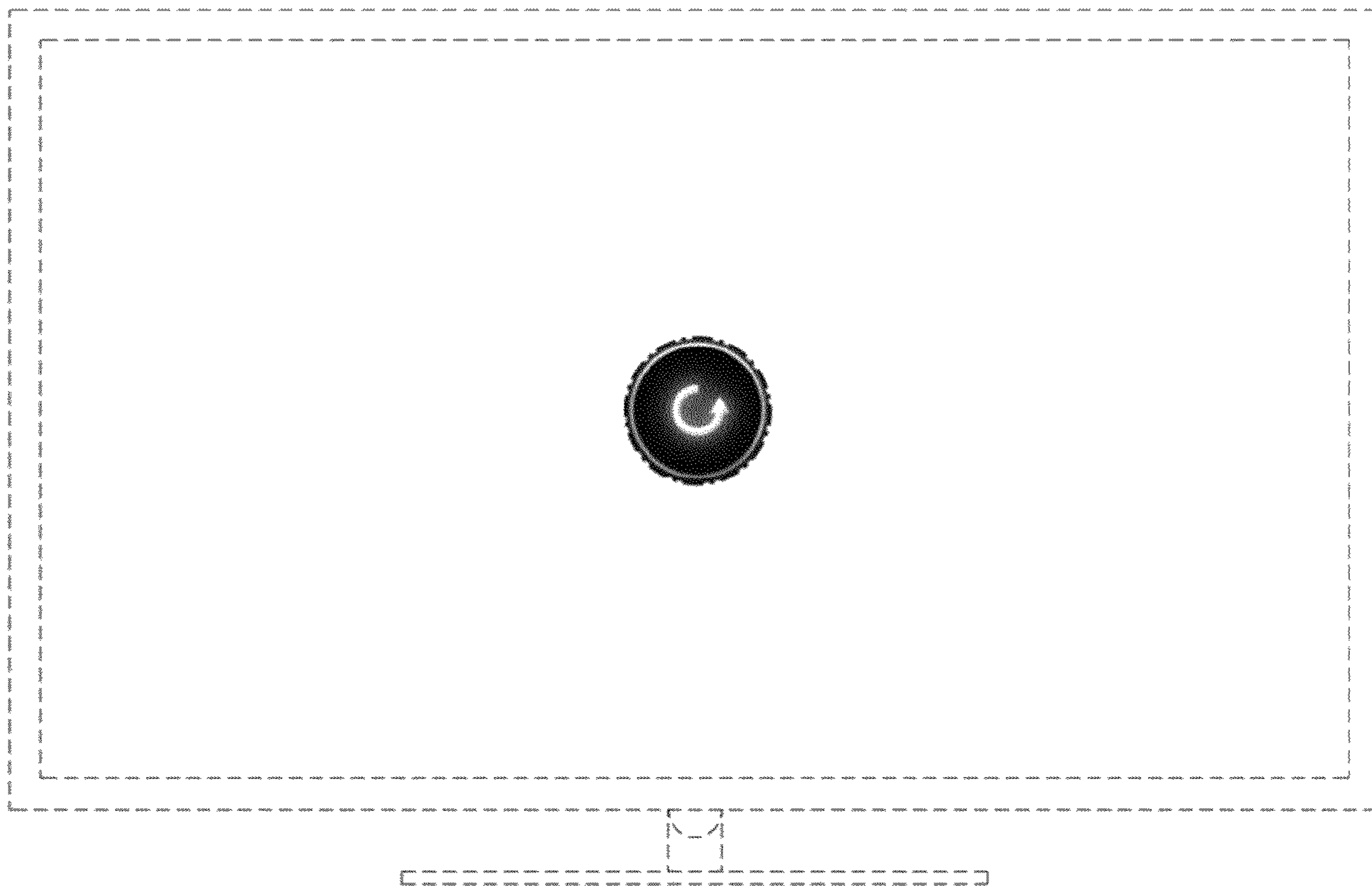


FIG. 5

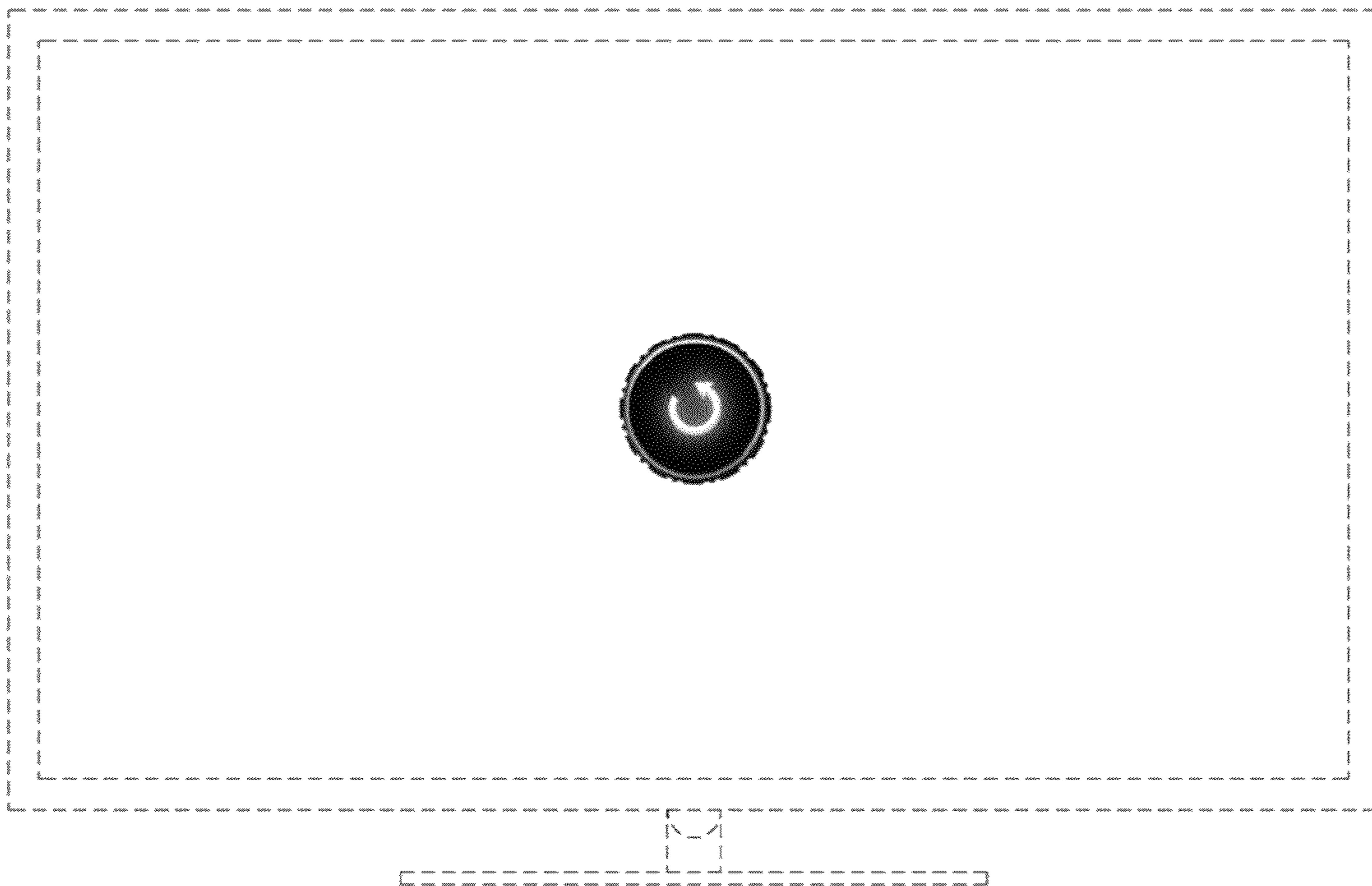


FIG. 6

