



US00D732046S

(12) **United States Design Patent**
Lee et al.

(10) **Patent No.:** **US D732,046 S**
(45) **Date of Patent:** **** Jun. 16, 2015**

(54) **SUPPORTING ASSEMBLY FOR ELECTRONIC DEVICE**

(71) Applicant: **HON HAI PRECISION INDUSTRY CO., LTD.**, New Taipei (TW)

(72) Inventors: **Chia-Yen Lee**, New Taipei (TW);
Chia-Chieh Cheng, New Taipei (TW);
Wei-Che Chen, New Taipei (TW)

(73) Assignee: **HON HAI PRECISION INDUSTRY CO., LTD.**, New Taipei (TW)

(**) Term: **14 Years**

(21) Appl. No.: **29/480,040**

(22) Filed: **Jan. 22, 2014**

(51) **LOC (10) Cl.** **08-07**

(52) **U.S. Cl.**
USPC **D14/447**

(58) **Field of Classification Search**
USPC D14/447, 451, 452, 439, 440, 432, 457,
D14/460, 461, 217, 239, 251, 253;
D6/406.3, 406.4, 406.5, 406.6;
248/460, 917-924, 150, 176.1, 177.1,
248/181.1, 188.7; 361/679.02, 679.06,
361/679.07, 679.09, 679.21, 679.22,
361/679.26, 679.27, 679.3, 679.55, 679.56;
D8/363, 373, 380
CPC F16M 2200/00; F16M 13/00; A45C
2011/003; A45C 2011/002; A47B 2023/049;
A47B 2097/005; A47B 2097/006; A47B 21/04
See application file for complete search history.

(56) **References Cited**

U.S. PATENT DOCUMENTS

D457,506 S *	5/2002	Scribner	D14/132
D670,295 S *	11/2012	Prescott et al.	D14/447
D688,253 S *	8/2013	Cho et al.	D14/447
D692,439 S *	10/2013	Muhlenberg	D14/447
D692,897 S *	11/2013	Luijben	D14/447
D697,516 S *	1/2014	Feldstein et al.	D14/447
D709,511 S *	7/2014	Sparks et al.	D14/447

D712,394 S *	9/2014	Booth et al.	D14/253
2006/0092127 A1 *	5/2006	Chen	345/156
2006/0104014 A1 *	5/2006	Cherone et al.	361/681
2006/0109388 A1 *	5/2006	Sanders et al.	348/837
2013/0193174 A1 *	8/2013	Ackeret et al.	224/275
2014/0346167 A1 *	11/2014	De Angelis	220/4.22

* cited by examiner

Primary Examiner — Angela J Lee

(74) *Attorney, Agent, or Firm* — Novak Druce Connolly Bove + Quigg LLP

(57) **CLAIM**

The ornamental design for a supporting assembly for electronic device, as shown and described.

DESCRIPTION

FIG. 1 is a perspective view of a first component of a supporting assembly for electronic device showing my design, the first component shown separately for clarity of illustration in a first position.

FIG. 2 is a front elevational view of the first component illustrated in FIG. 1.

FIG. 3 is a rear elevational view of the first component illustrated in FIG. 1.

FIG. 4 is a left-side elevational view of the first component illustrated in FIG. 1.

FIG. 5 is a right-side elevational view of the first component illustrated in FIG. 1.

FIG. 6 is a top plan view of the first component illustrated in FIG. 1.

FIG. 7 is a bottom plan view of the first component illustrated in FIG. 1.

FIG. 8 is a perspective view of a second component of a supporting assembly for electronic device showing my design, the second component shown separately for clarity of illustration.

FIG. 9 is a front elevational view of the second component illustrated in FIG. 8.

FIG. 10 is a rear elevational view of the second component illustrated in FIG. 8.

FIG. 11 is a left-side elevational view of the second component illustrated in FIG. 8.

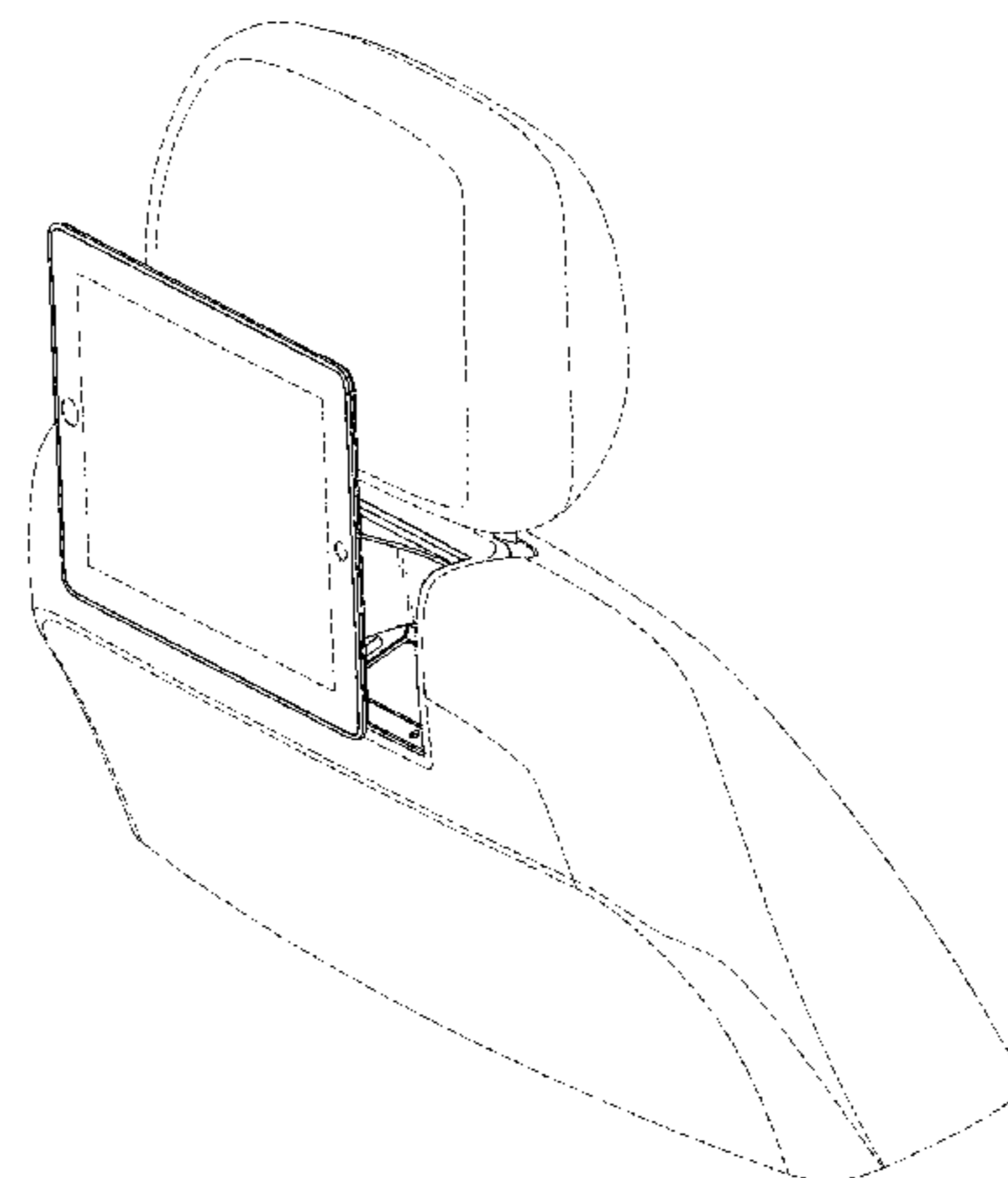
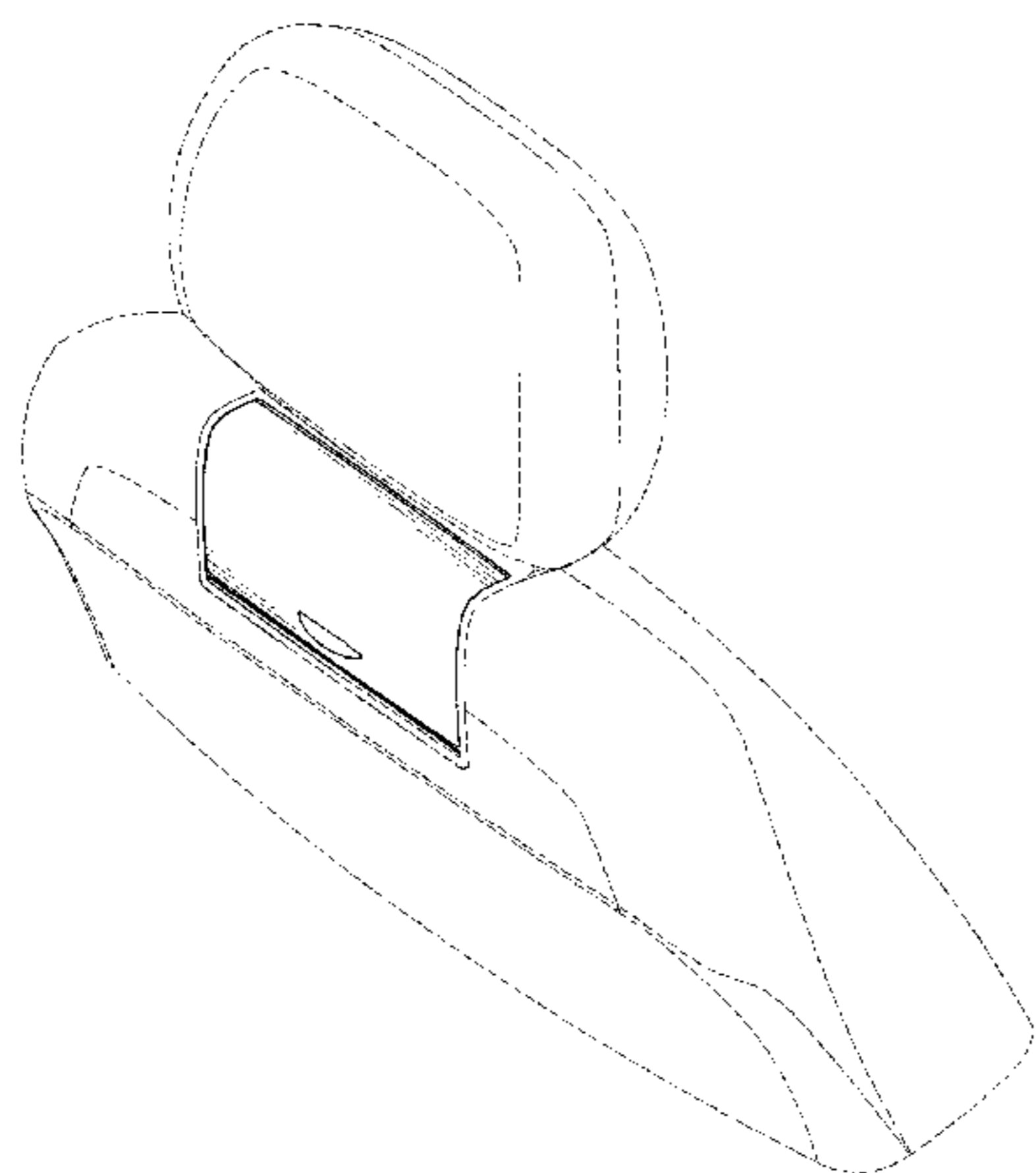


FIG. 12 is a right-side elevational view of the second component illustrated in FIG. 8.

FIG. 13 is a top plan view of the second component illustrated in FIG. 8.

FIG. 14 is a bottom plan view of the second component illustrated in FIG. 8.

FIG. 15 is a perspective view of a first component of a supporting assembly for electronic device showing my design, the first component shown separately for clarity of illustration in a second position.

FIG. 16 is a front elevational view of the first component illustrated in FIG. 15.

FIG. 17 is a rear elevational view of the first component illustrated in FIG. 15.

FIG. 18 is a left-side elevational view of the first component illustrated in FIG. 15.

FIG. 19 is a right-side elevational view of the first component illustrated in FIG. 15.

FIG. 20 is a top plan view of the first component illustrated in FIG. 15.

FIG. 21 is a bottom plan view of the first component illustrated in FIG. 15.

FIG. 22 is a perspective view of the second component illustrated in FIG. 8 attached to the first component illustrated in FIG. 15, the first component shown in the second position.

FIG. 23 is a front elevational view of the second component attached to the first component shown in FIG. 22.

FIG. 24 is a rear elevational view of the second component shown attached to the first component shown in FIG. 22.

FIG. 25 is a left-side elevational view the second component shown attached to the first component shown in FIG. 22.

FIG. 26 is a right-side elevational view of the second component shown attached to the first component shown in FIG. 22.

FIG. 27 is a top plan view of the second component shown attached to the first component shown in FIG. 22.

FIG. 28 is a bottom plan view of the second component shown attached to the first component shown in FIG. 22.

FIG. 29 is a perspective view of the first component illustrated in FIG. 1 attached to a car seat, the first component shown in the first position; and,

FIG. 30 is a perspective view of the first component with a second component attached to a car seat, the first component and the second component shown in the second position.

The broken lines shown in the drawings represent portions of the supporting assembly for electronic device which form no part of the claimed design.

1 Claim, 30 Drawing Sheets

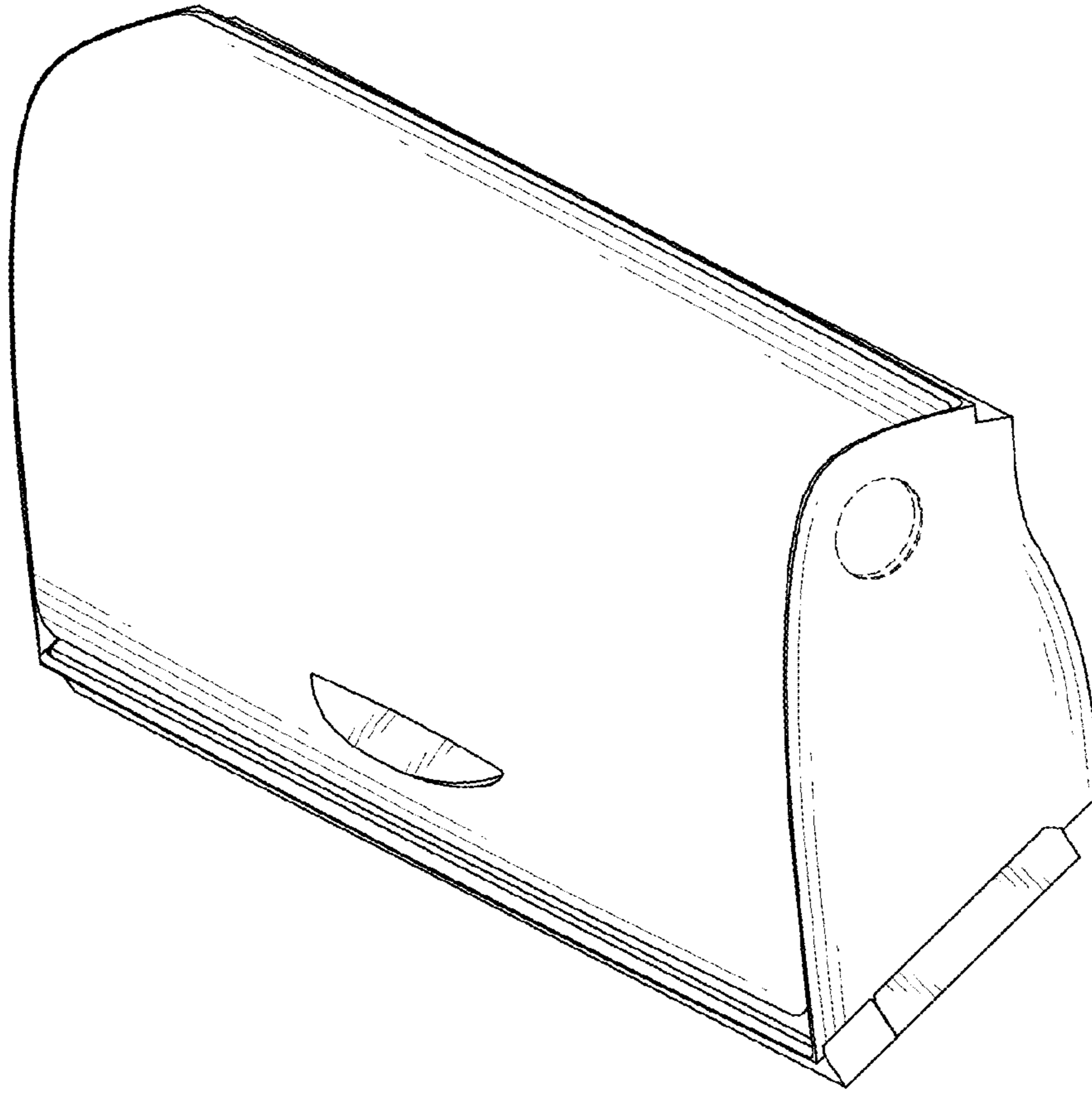


FIG. 1

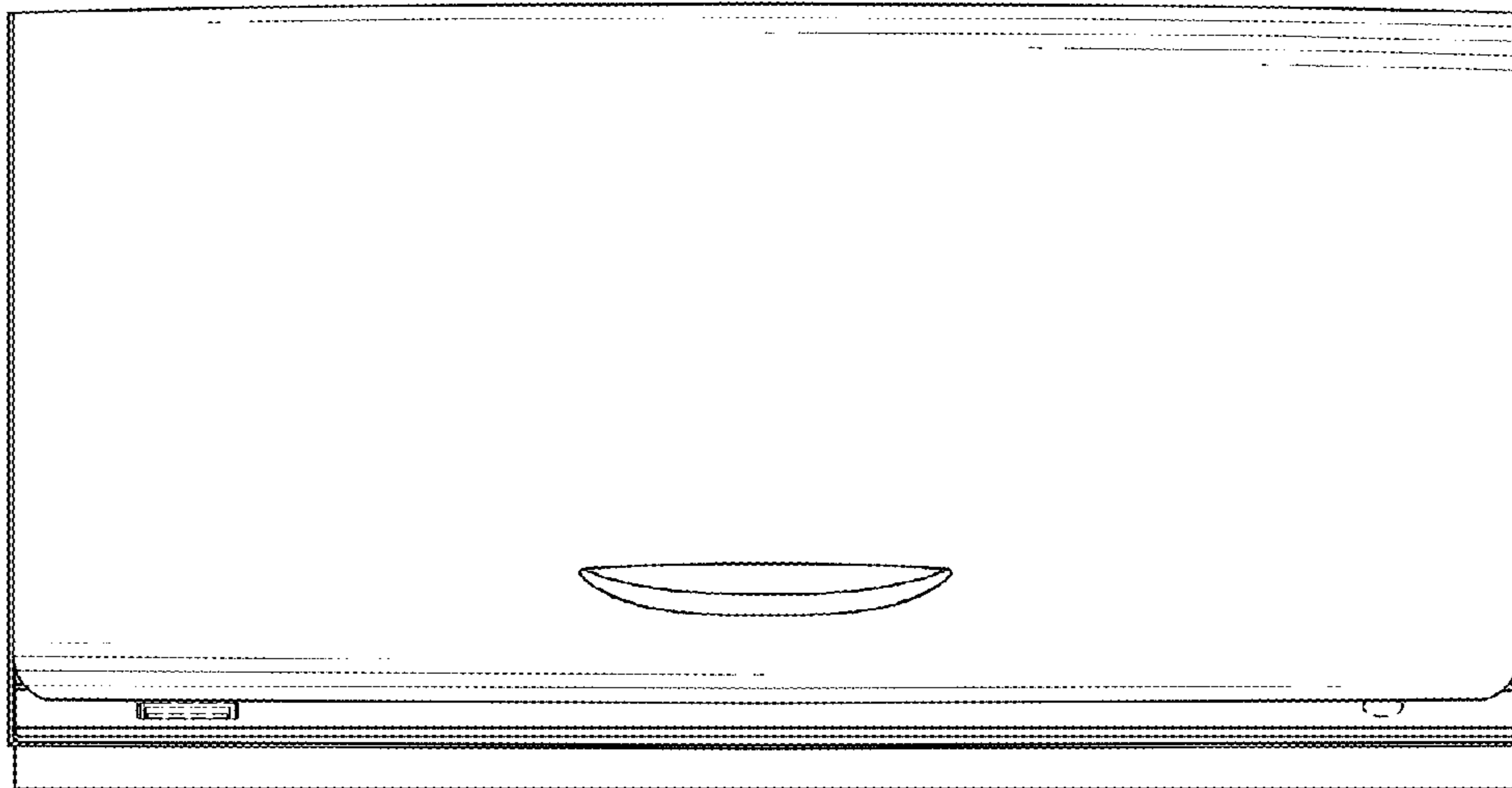


FIG. 2

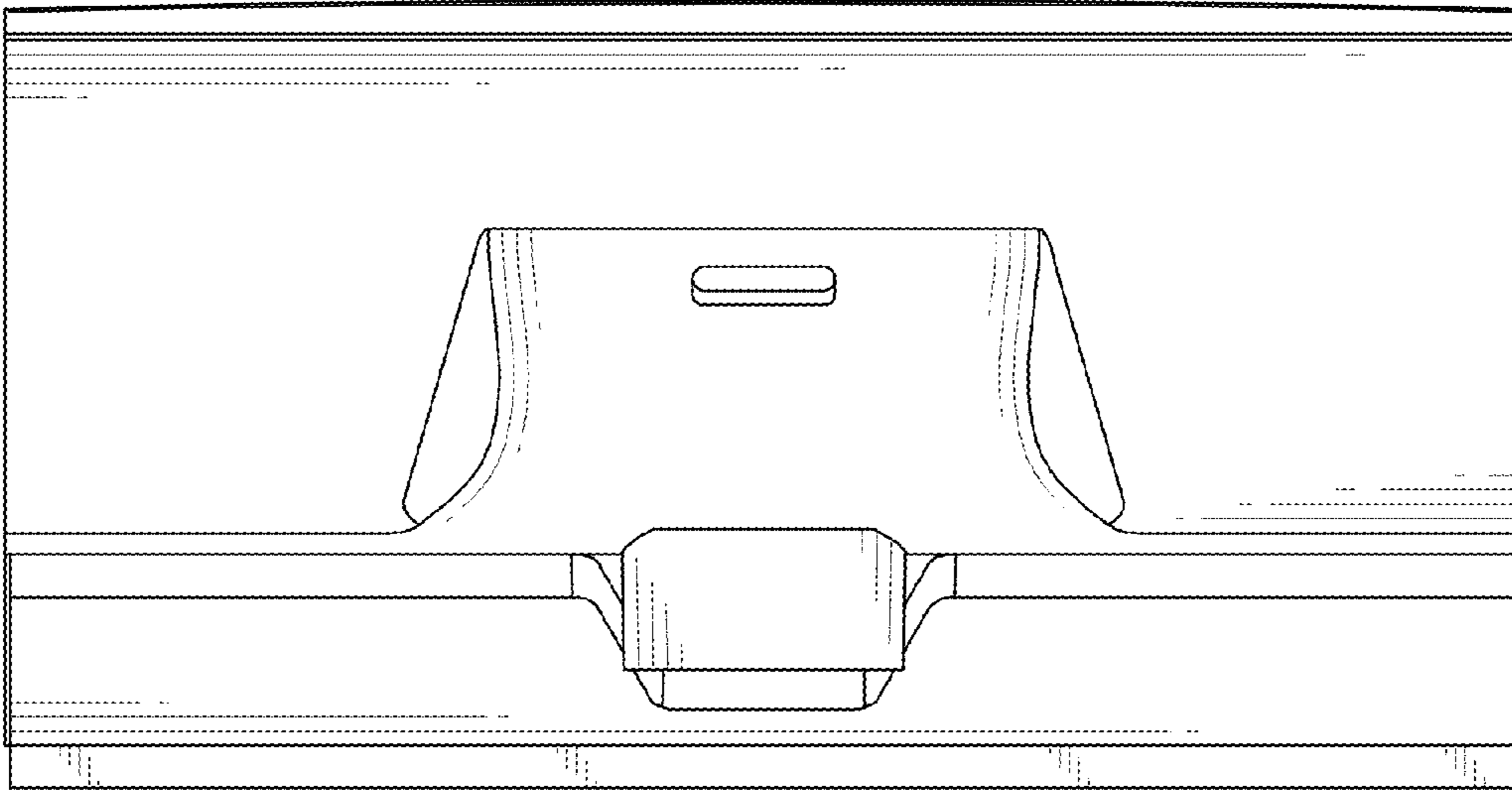


FIG. 3

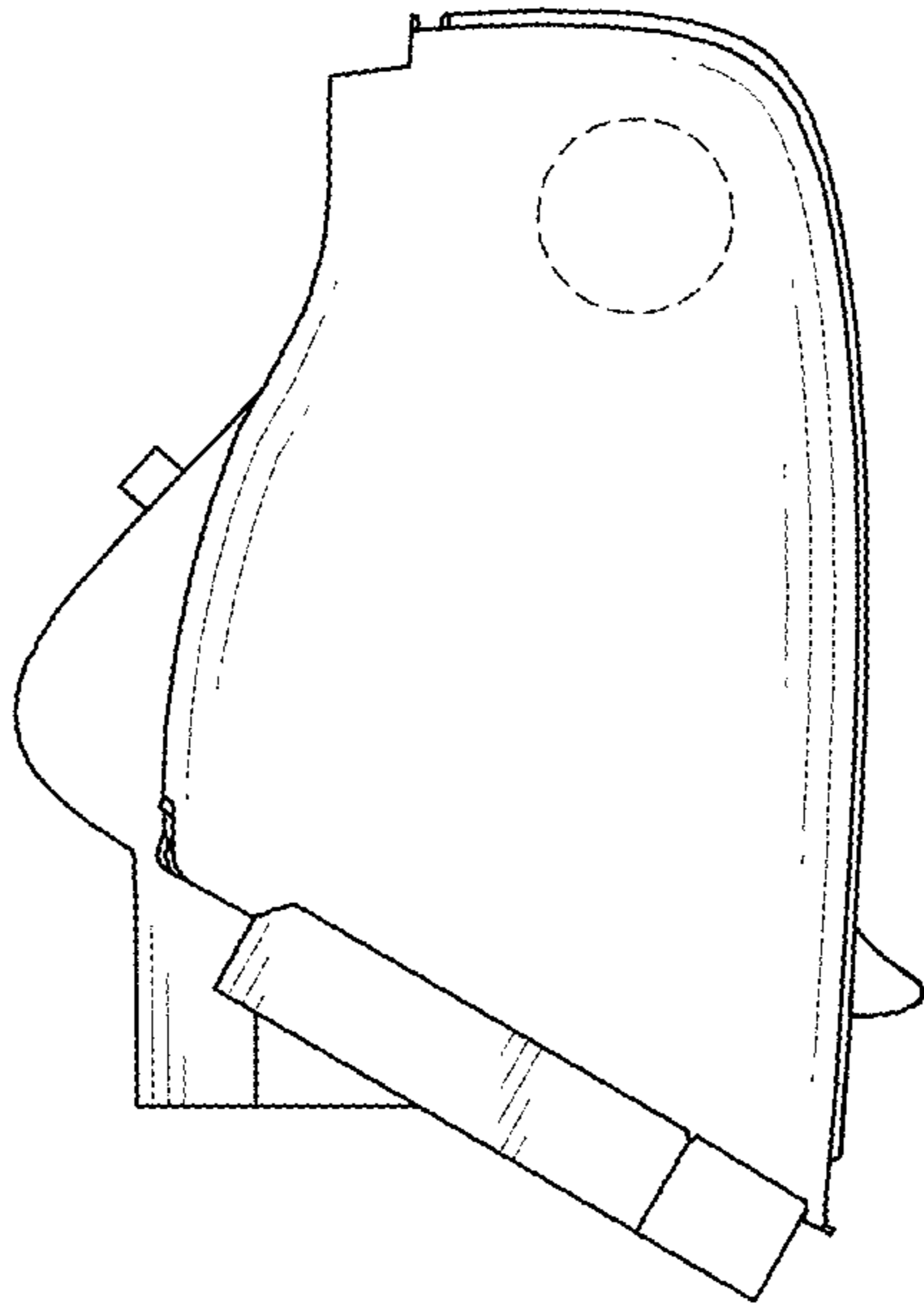


FIG. 4

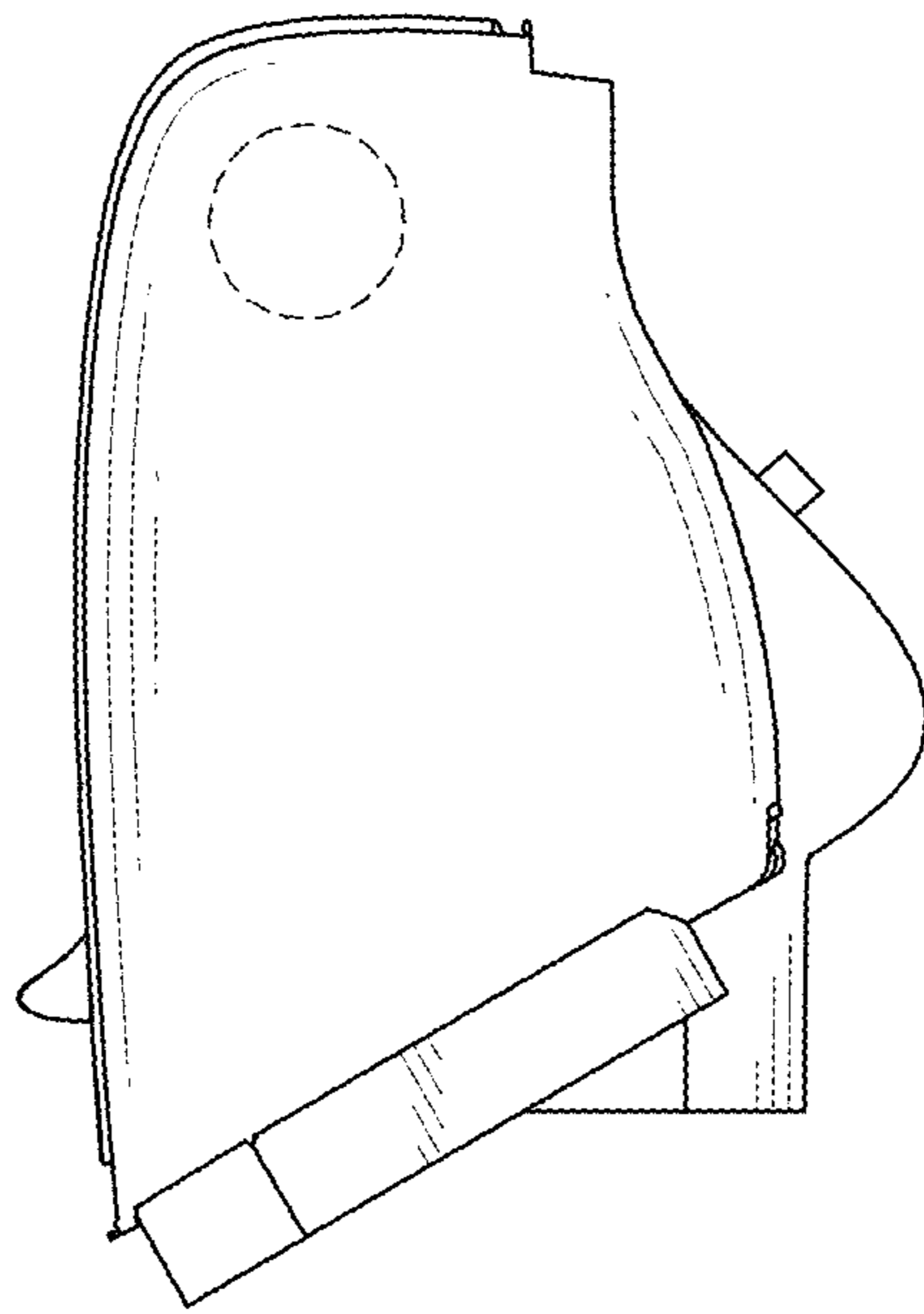


FIG. 5

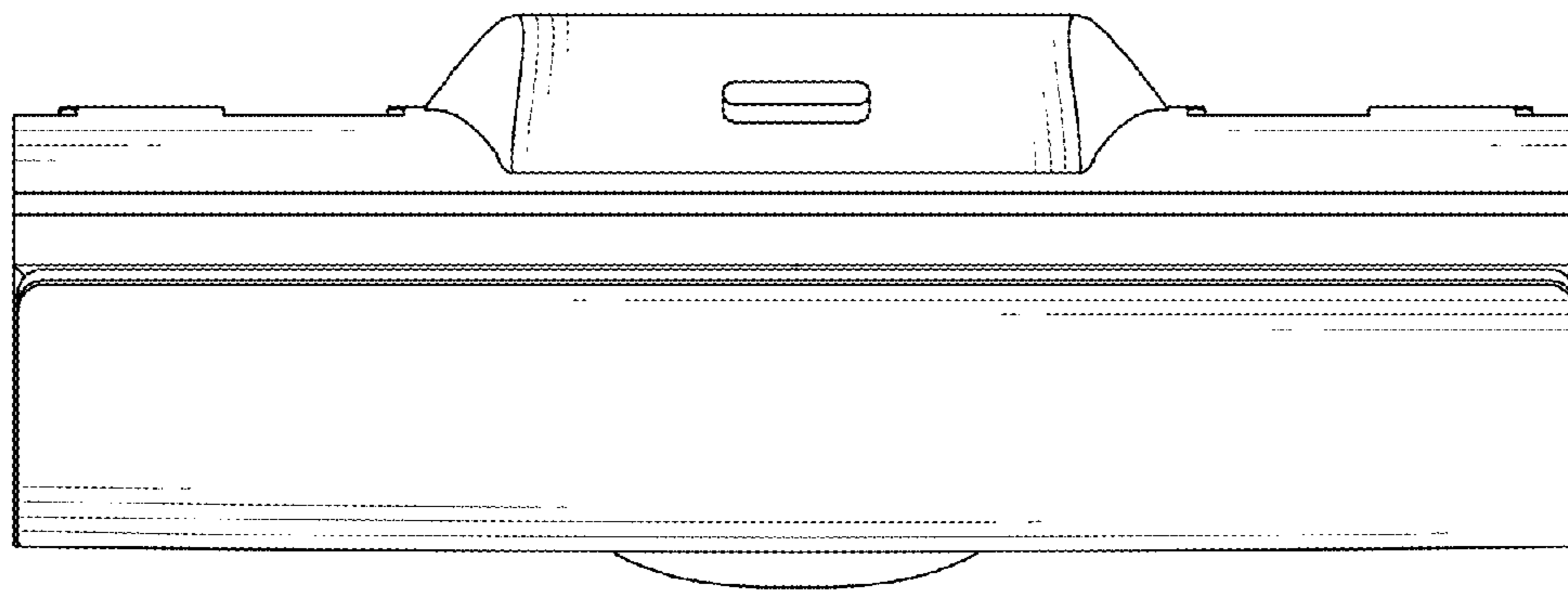


FIG. 6

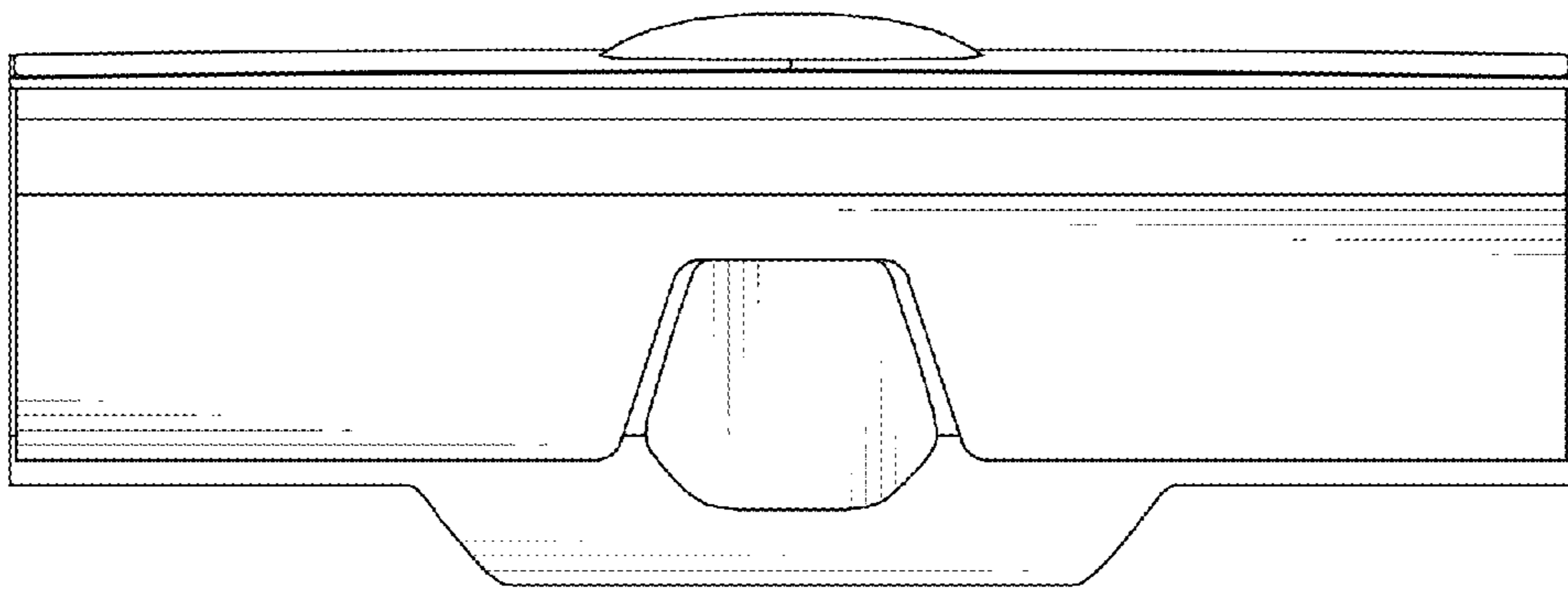


FIG. 7

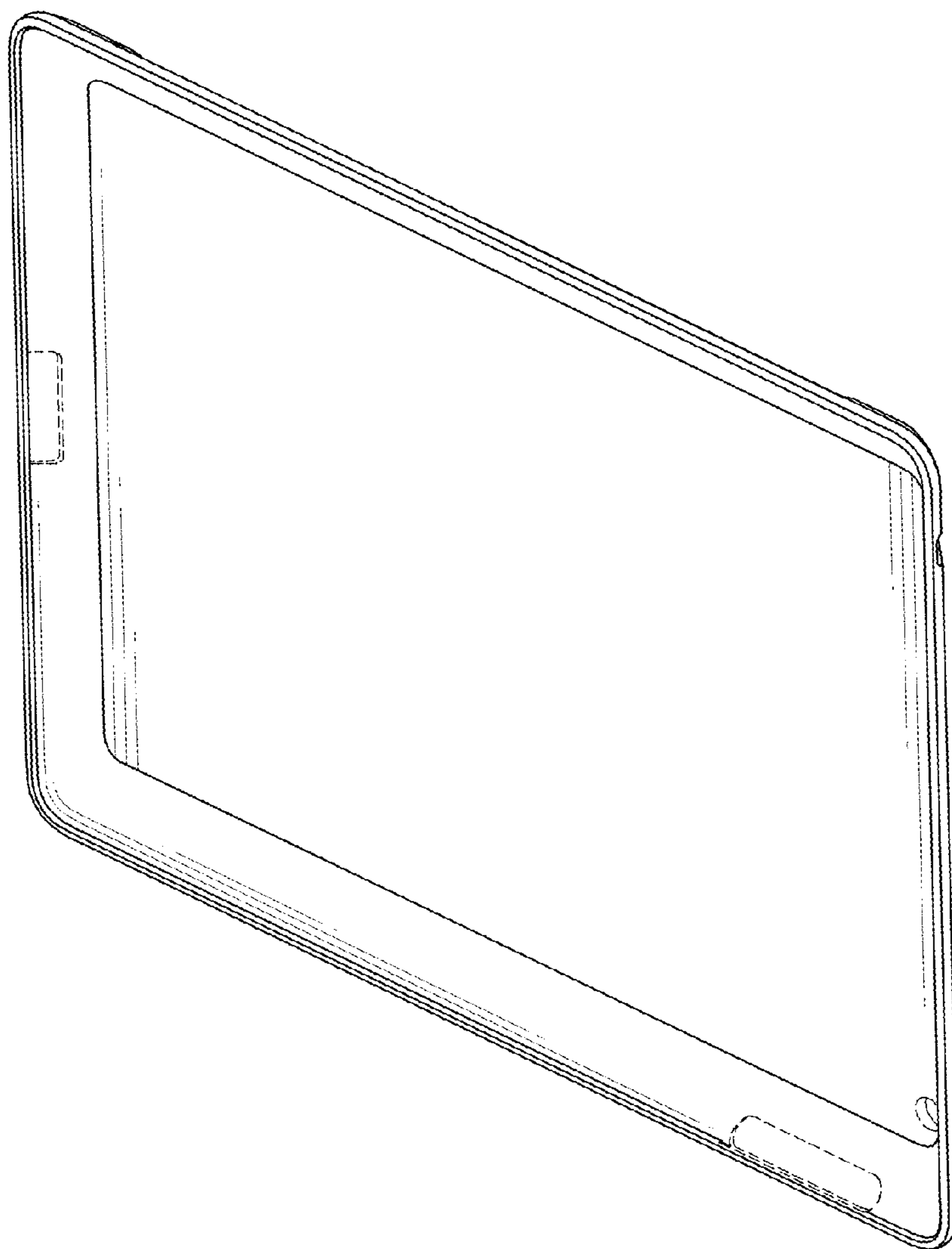


FIG. 8

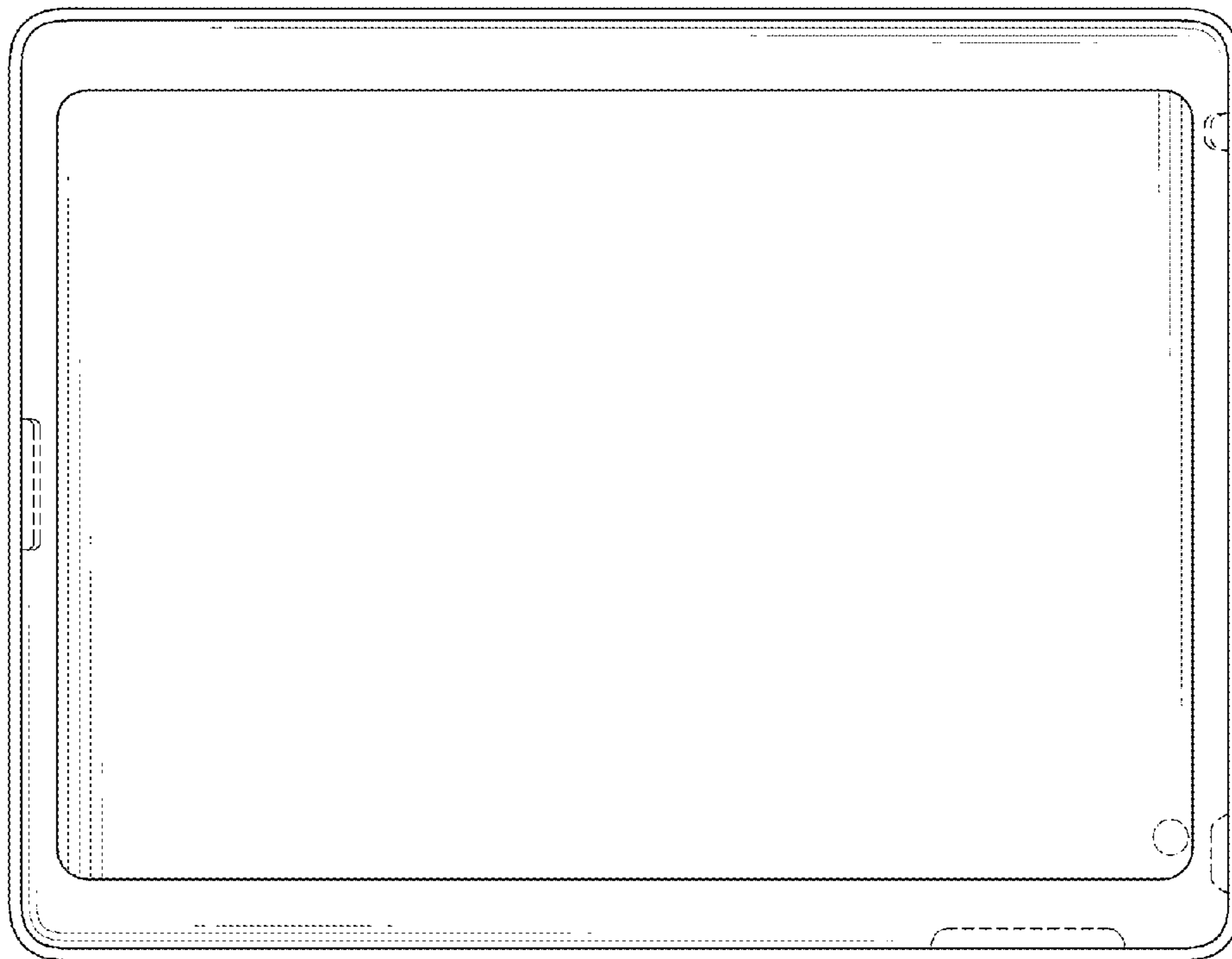


FIG. 9

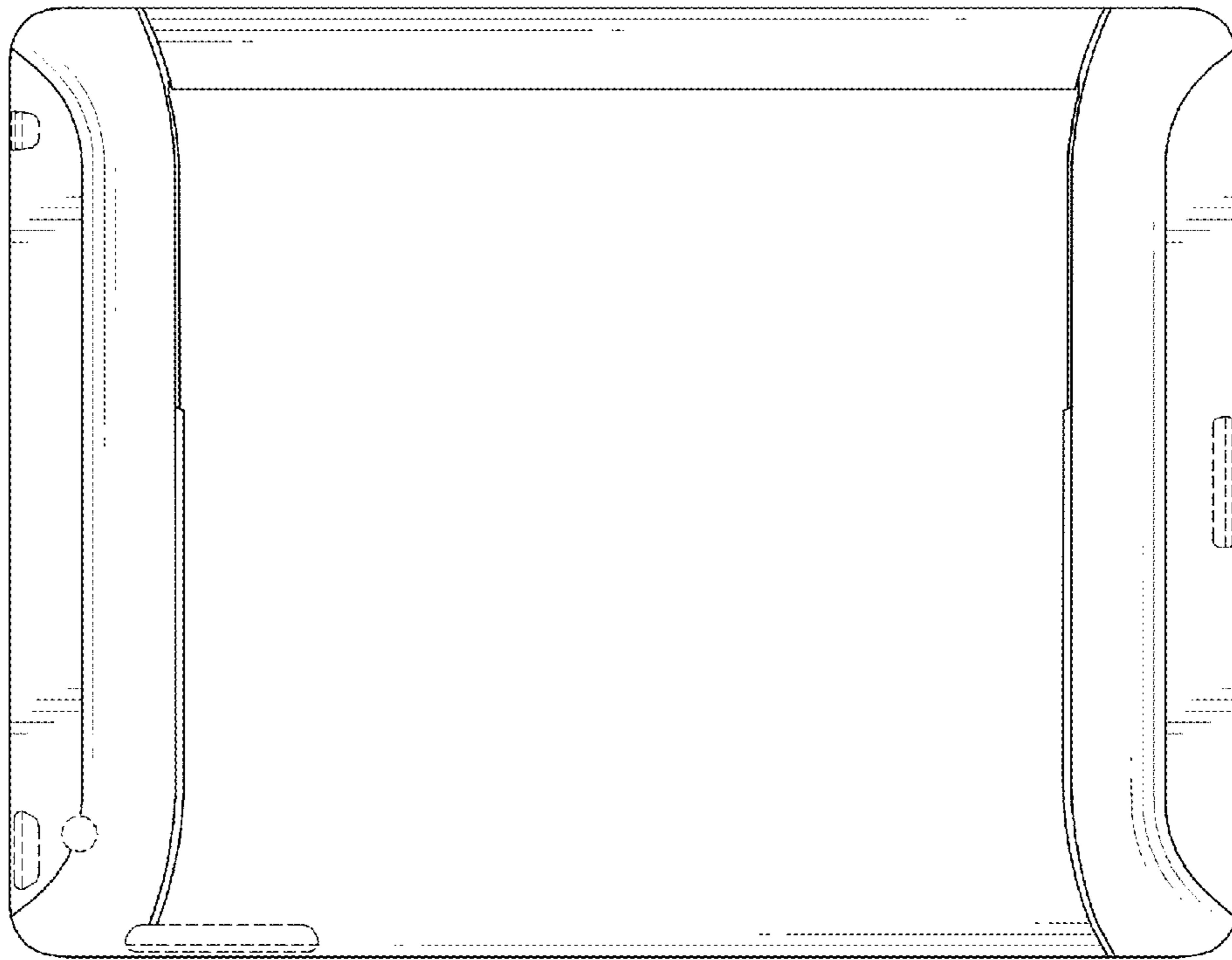


FIG. 10



FIG. 11

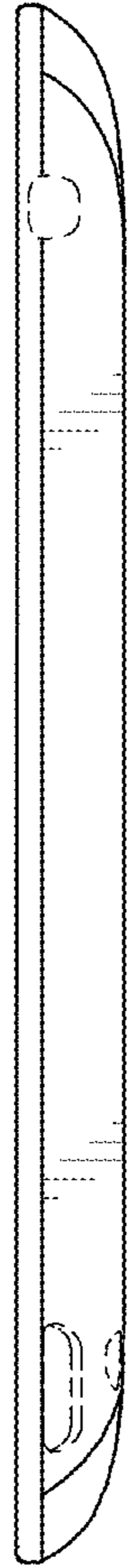


FIG. 12

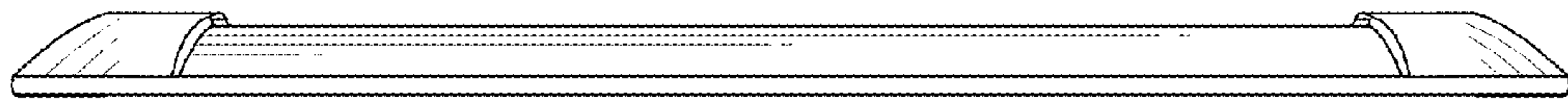


FIG. 13

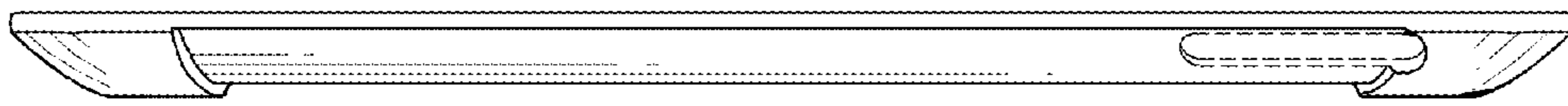


FIG. 14

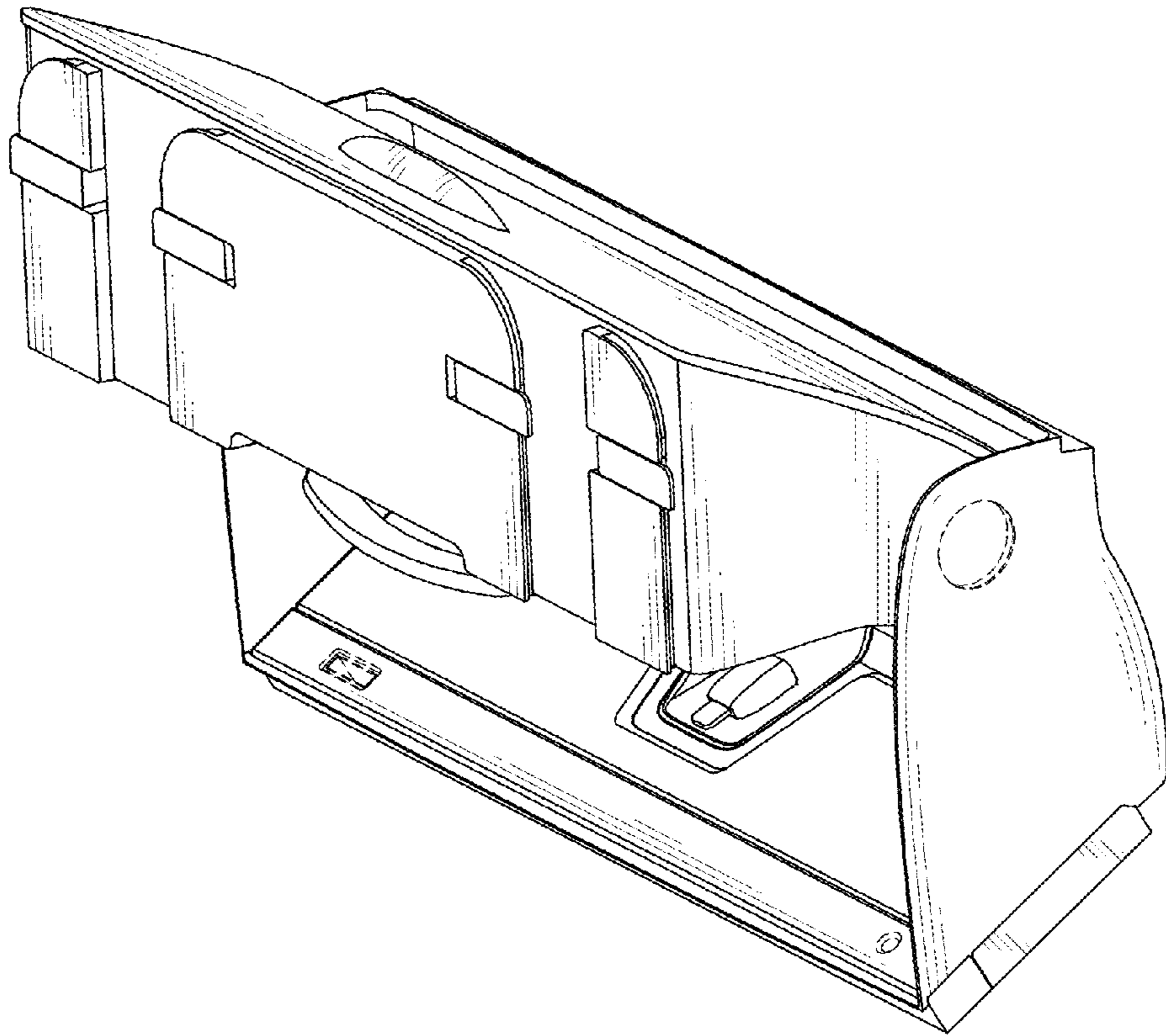


FIG. 15

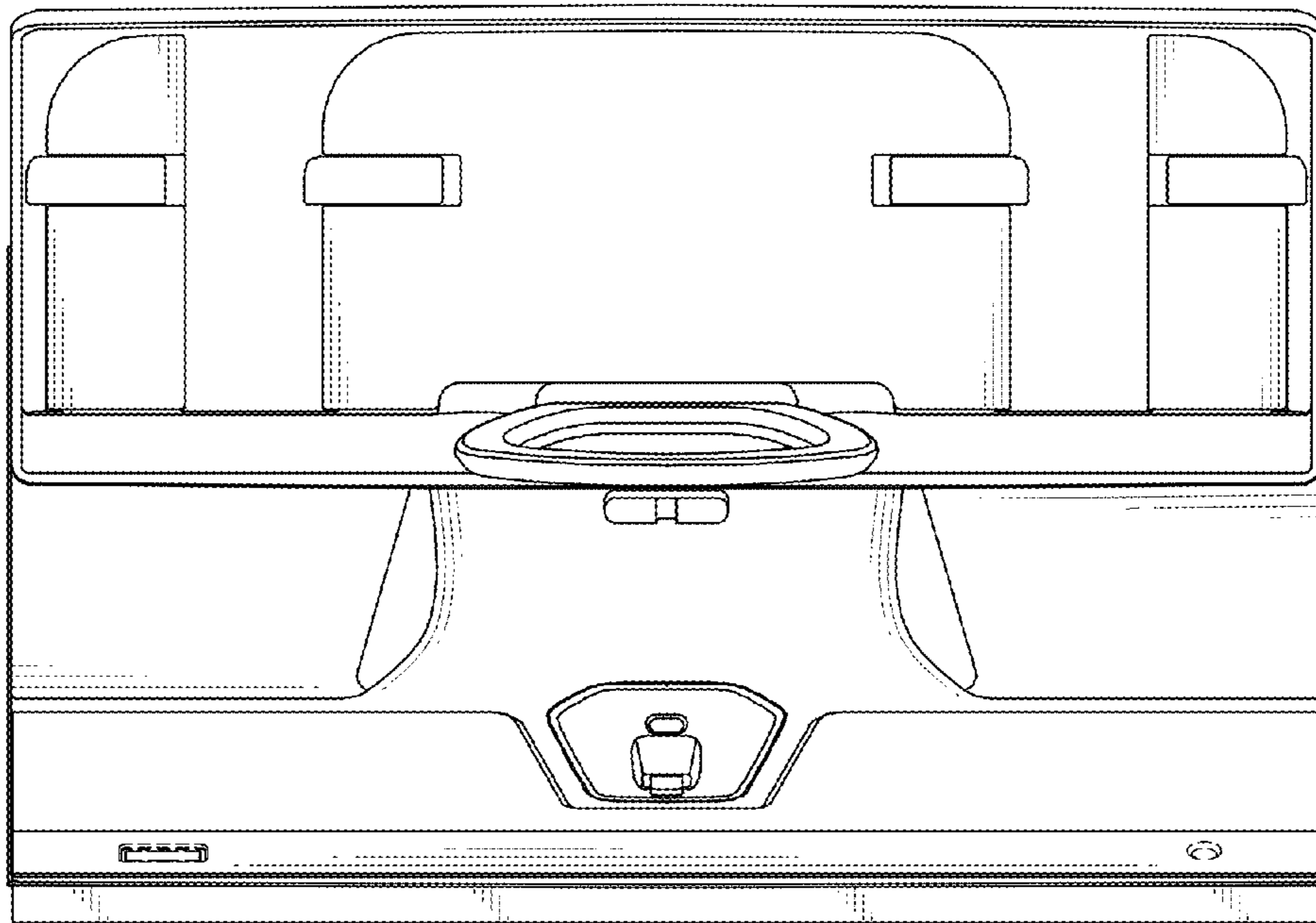


FIG. 16

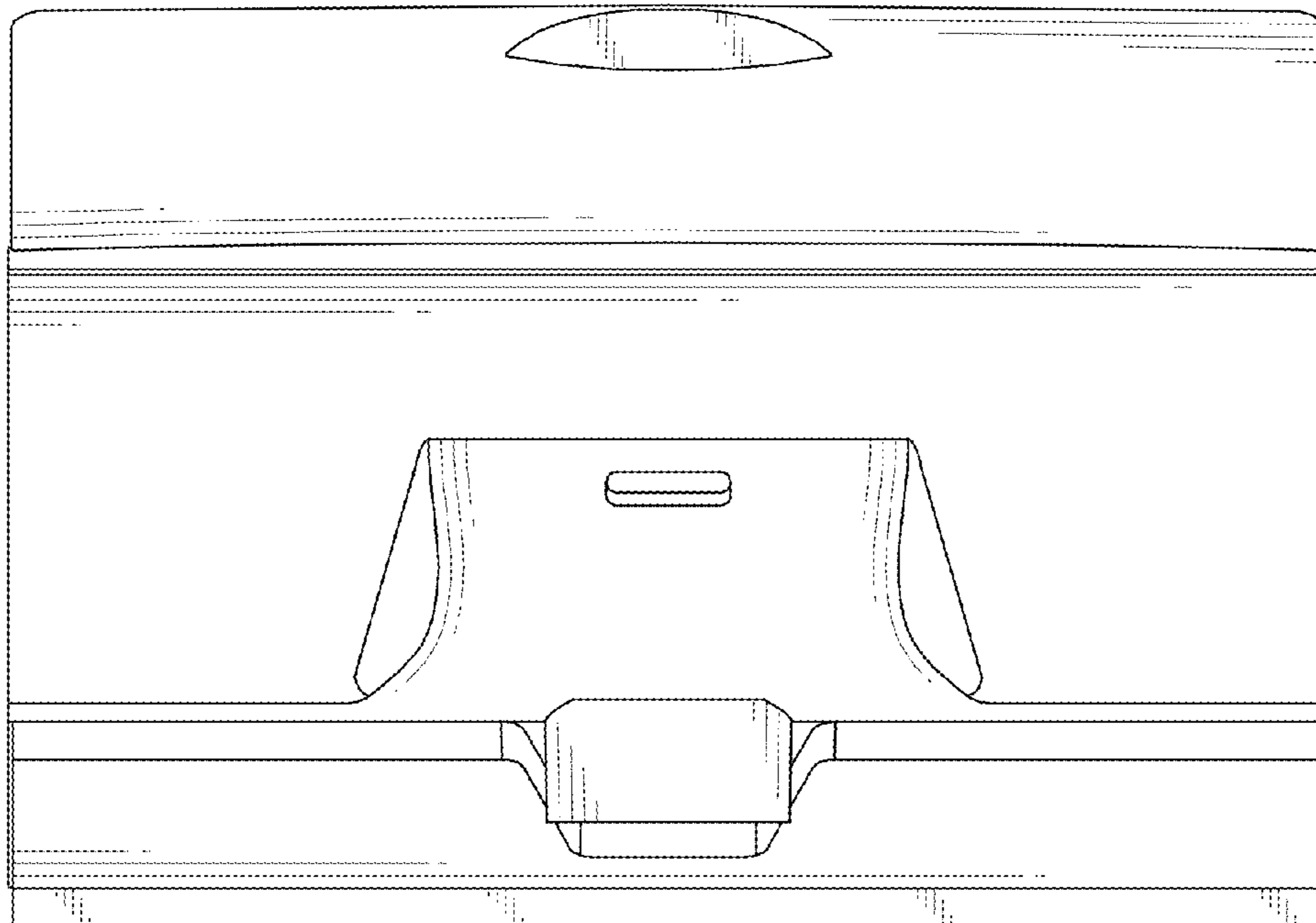


FIG. 17

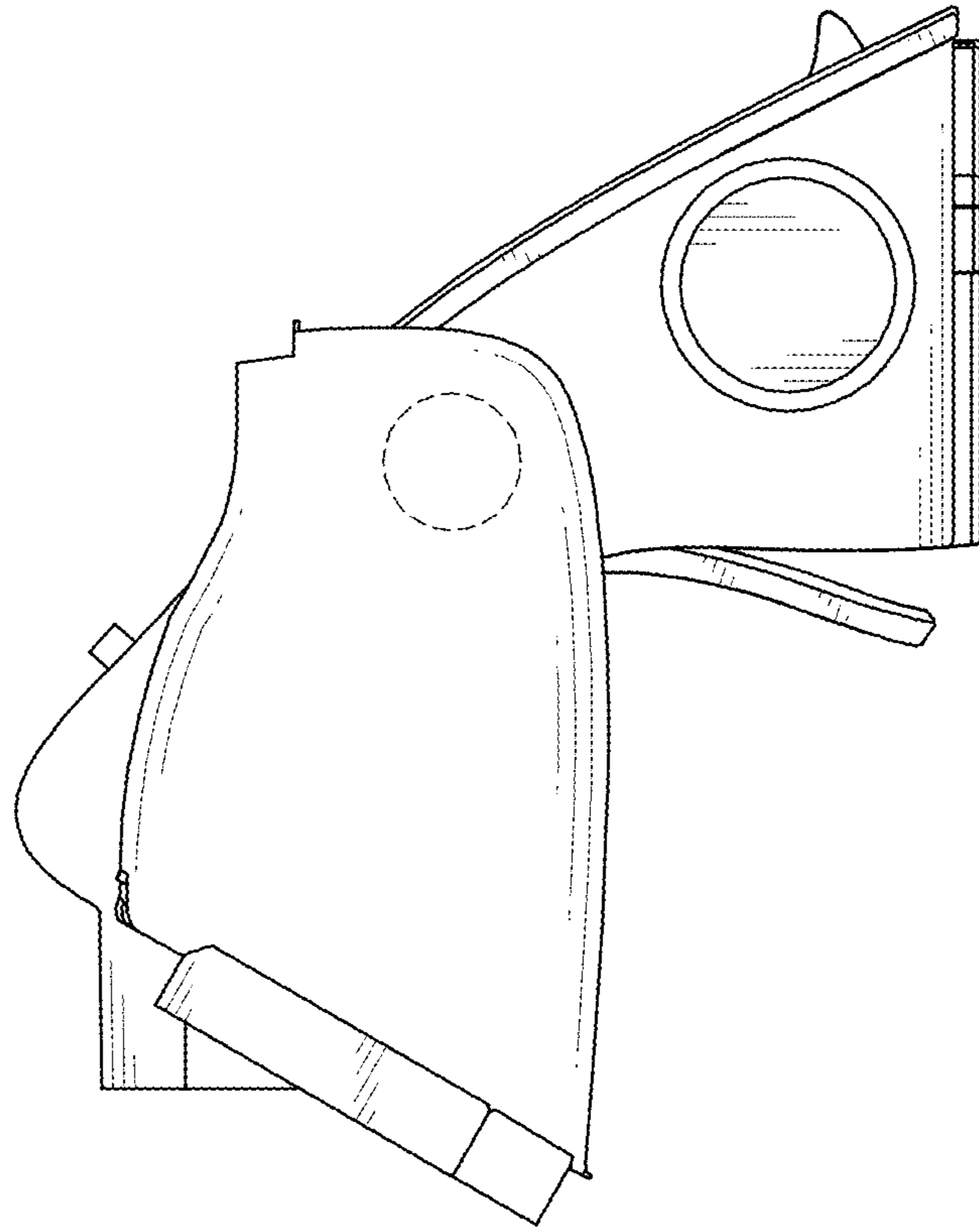


FIG. 18

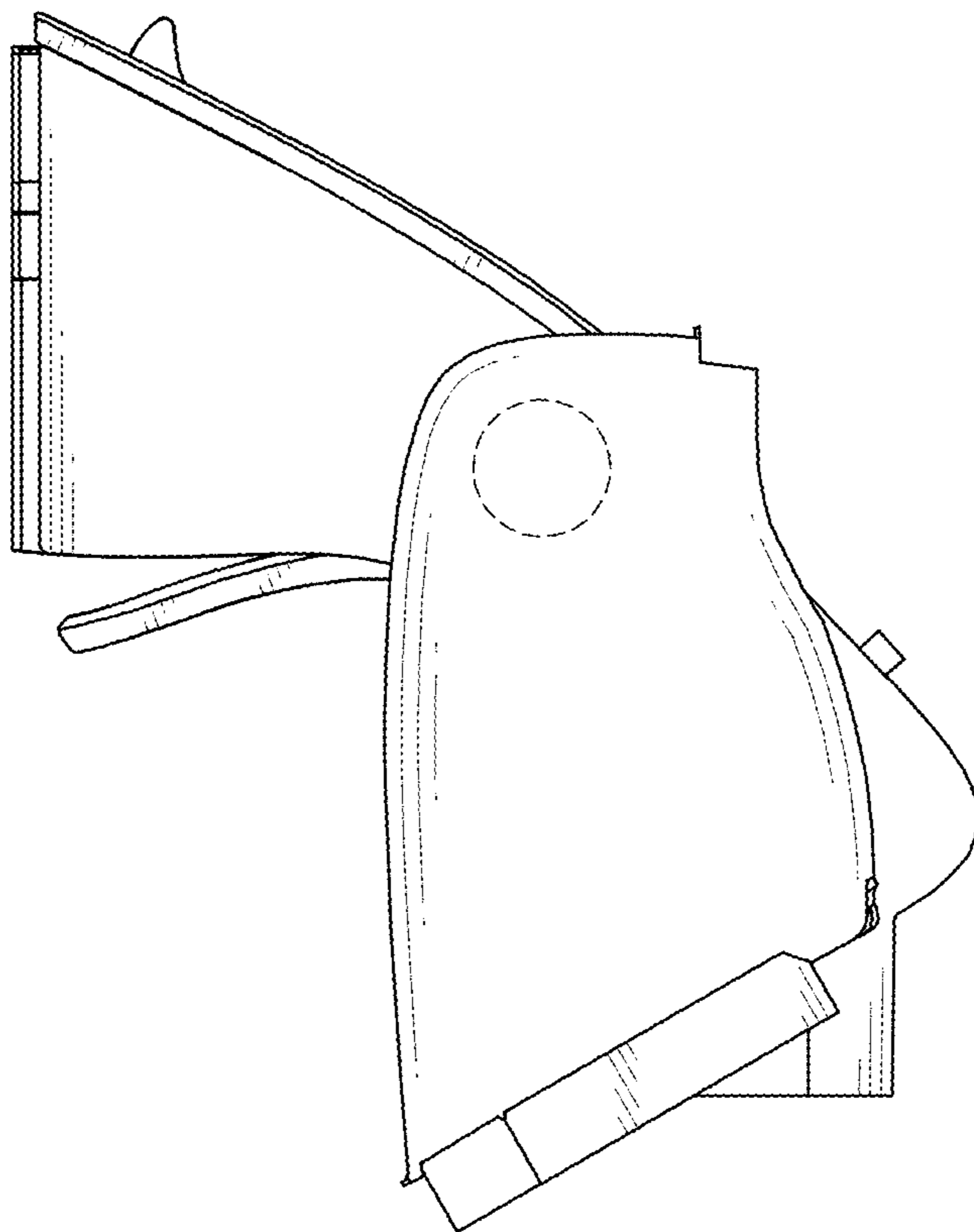


FIG. 19

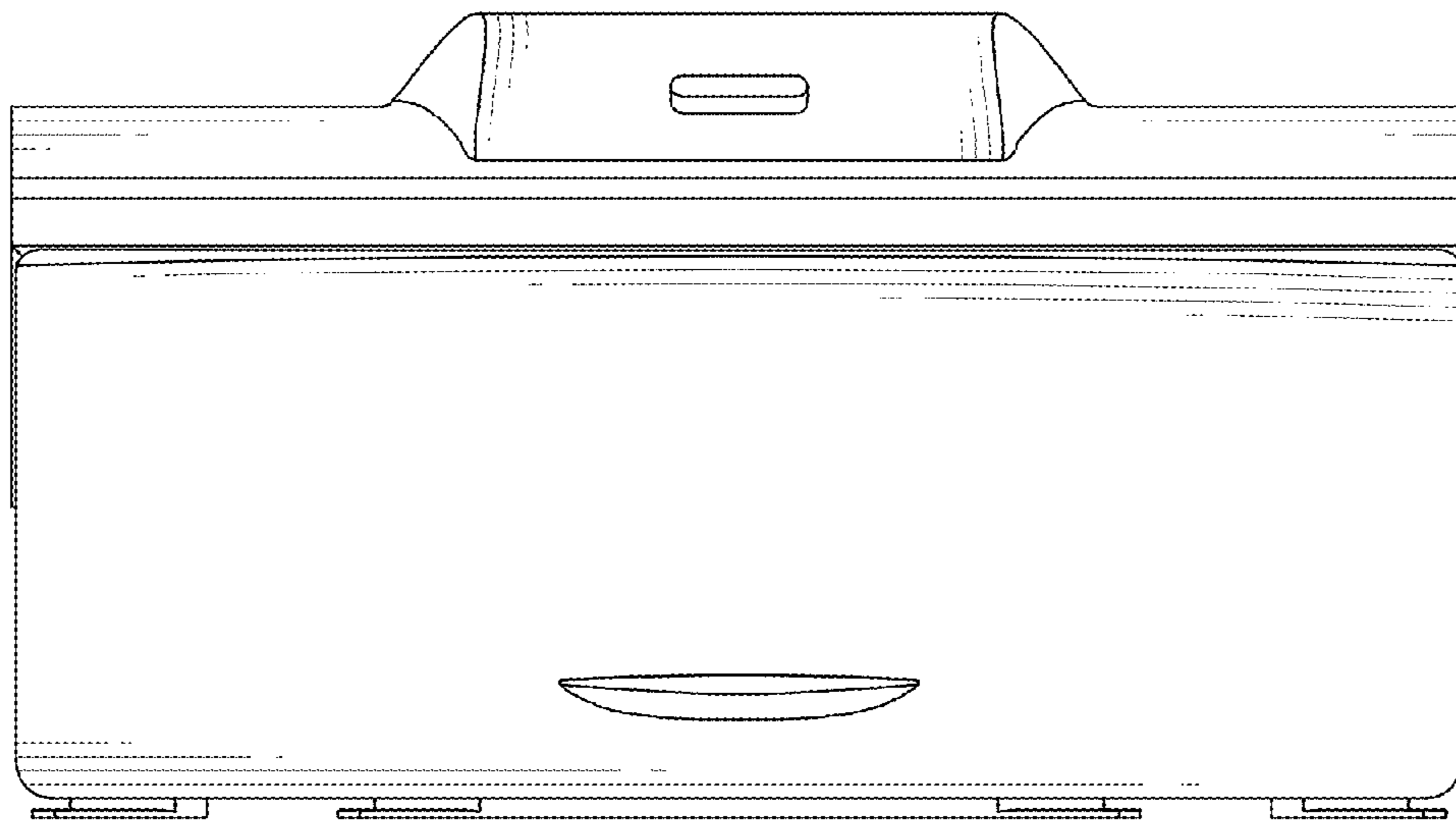


FIG. 20

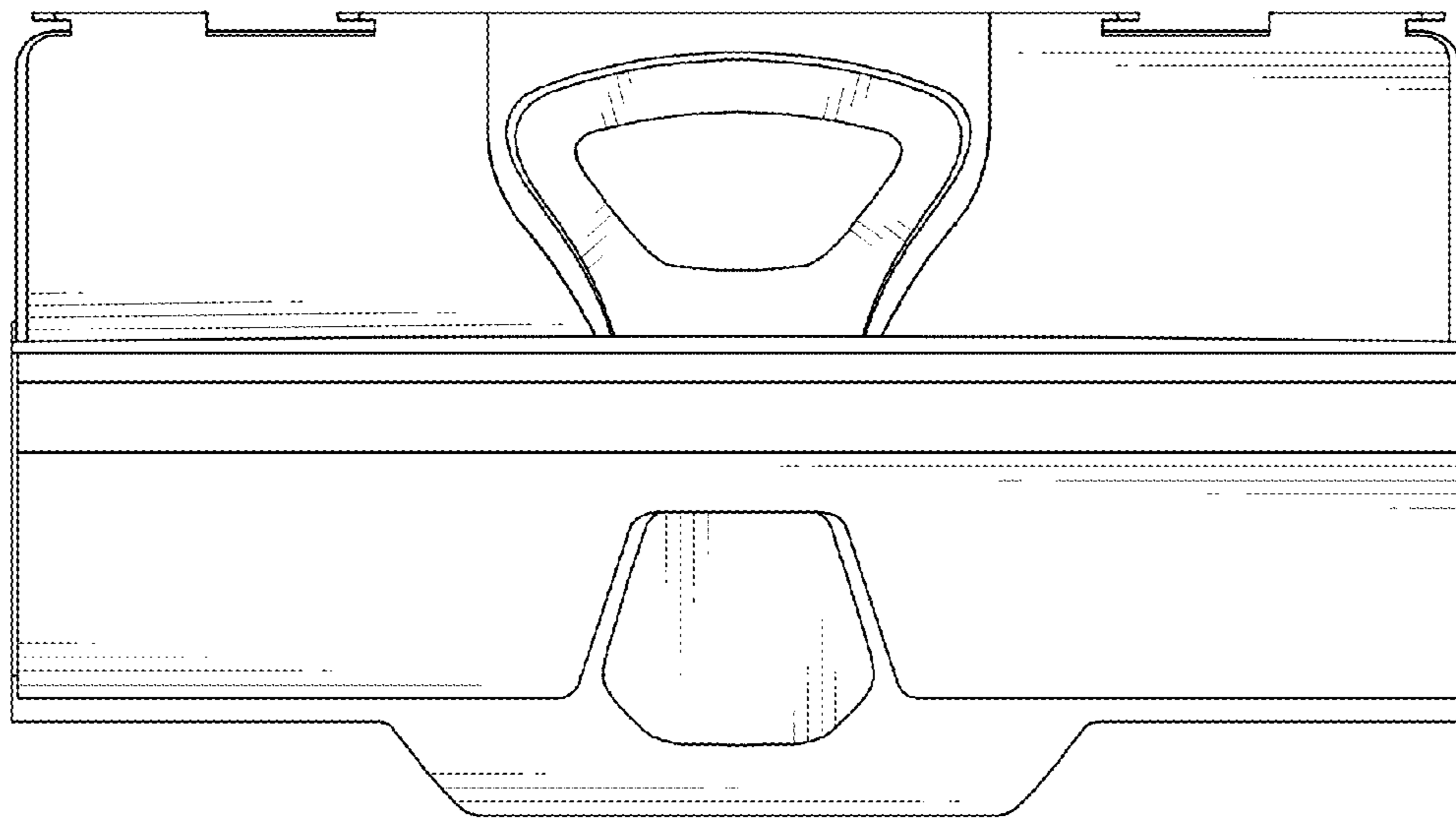


FIG. 21

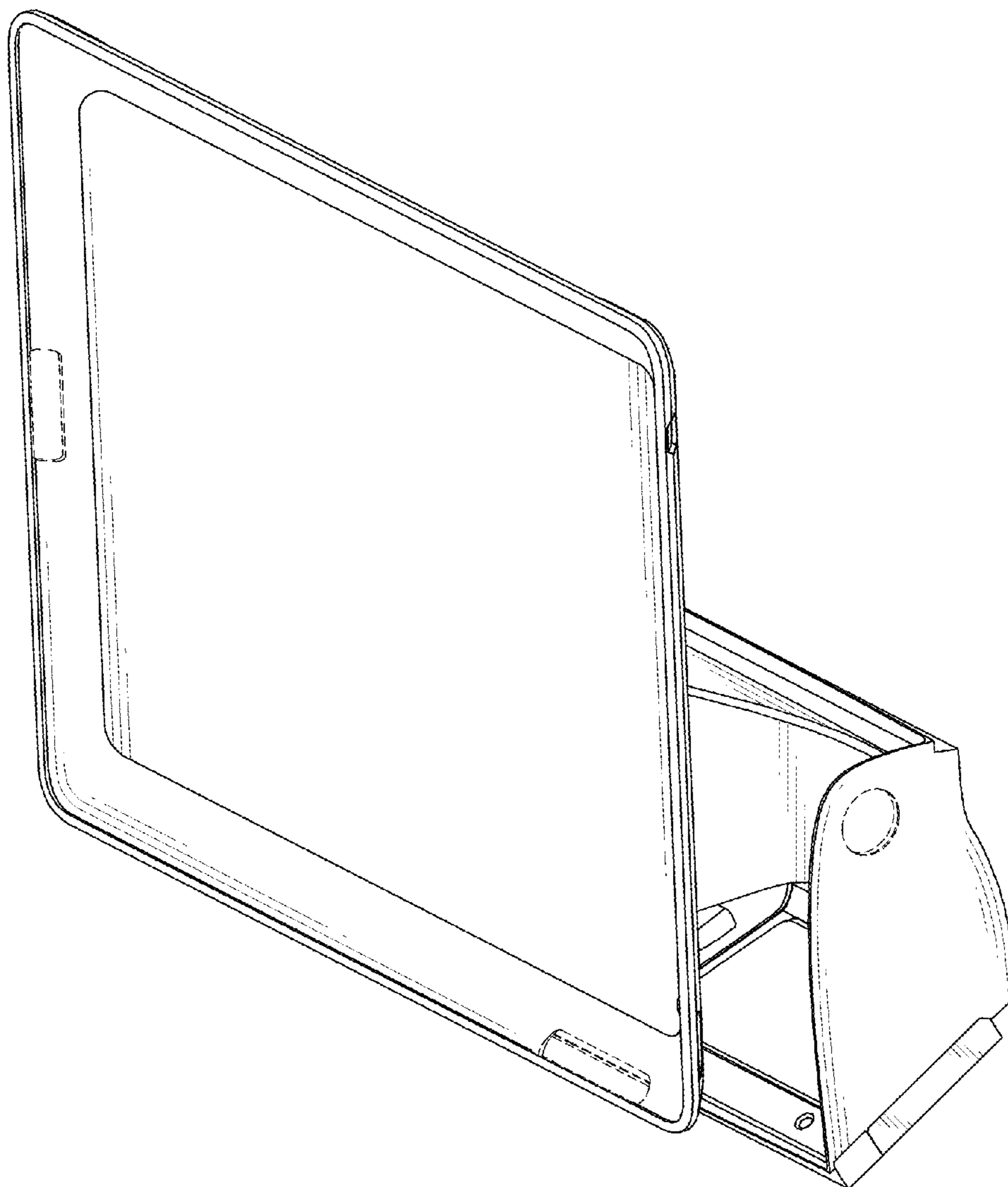


FIG. 22

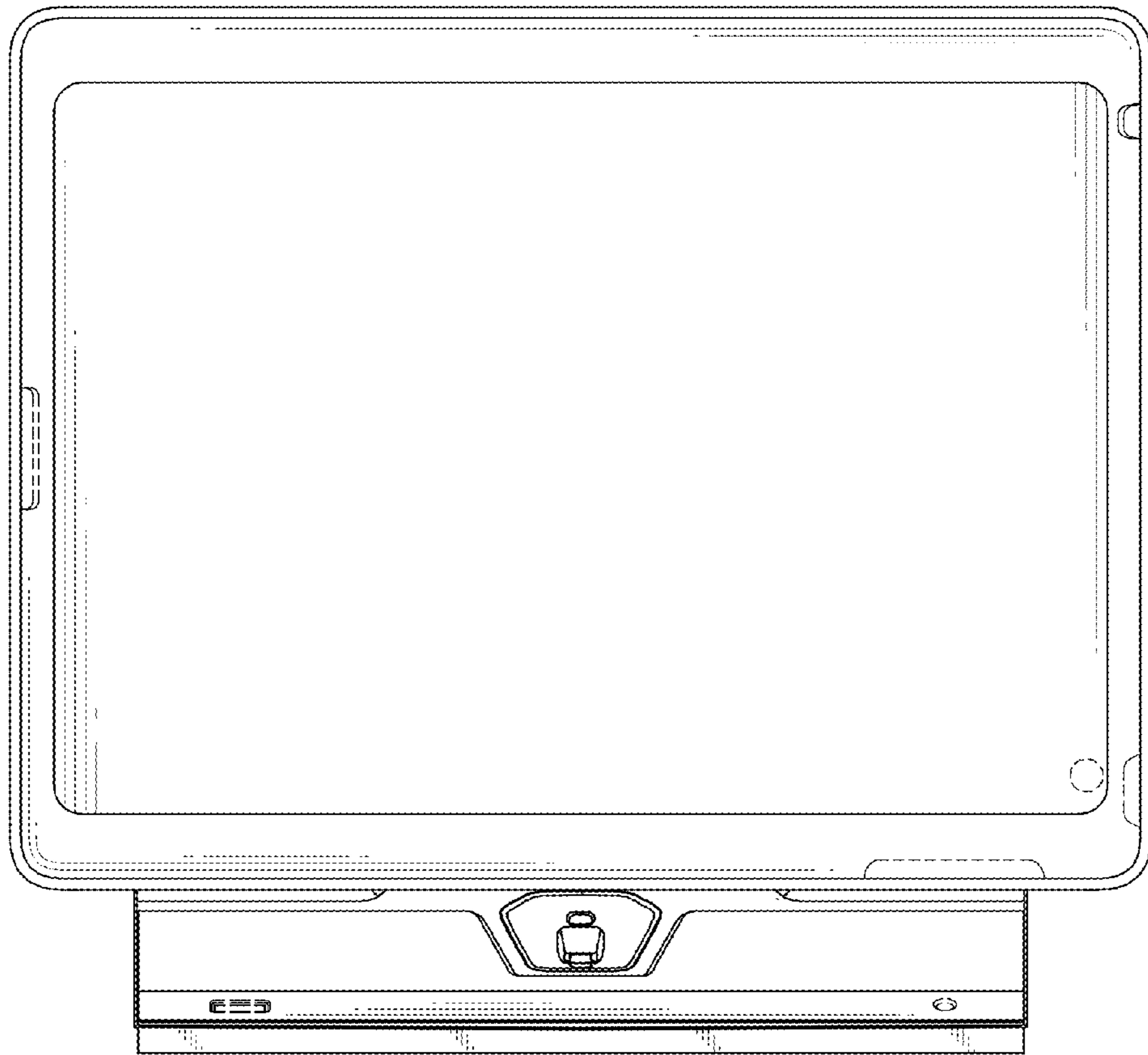


FIG. 23

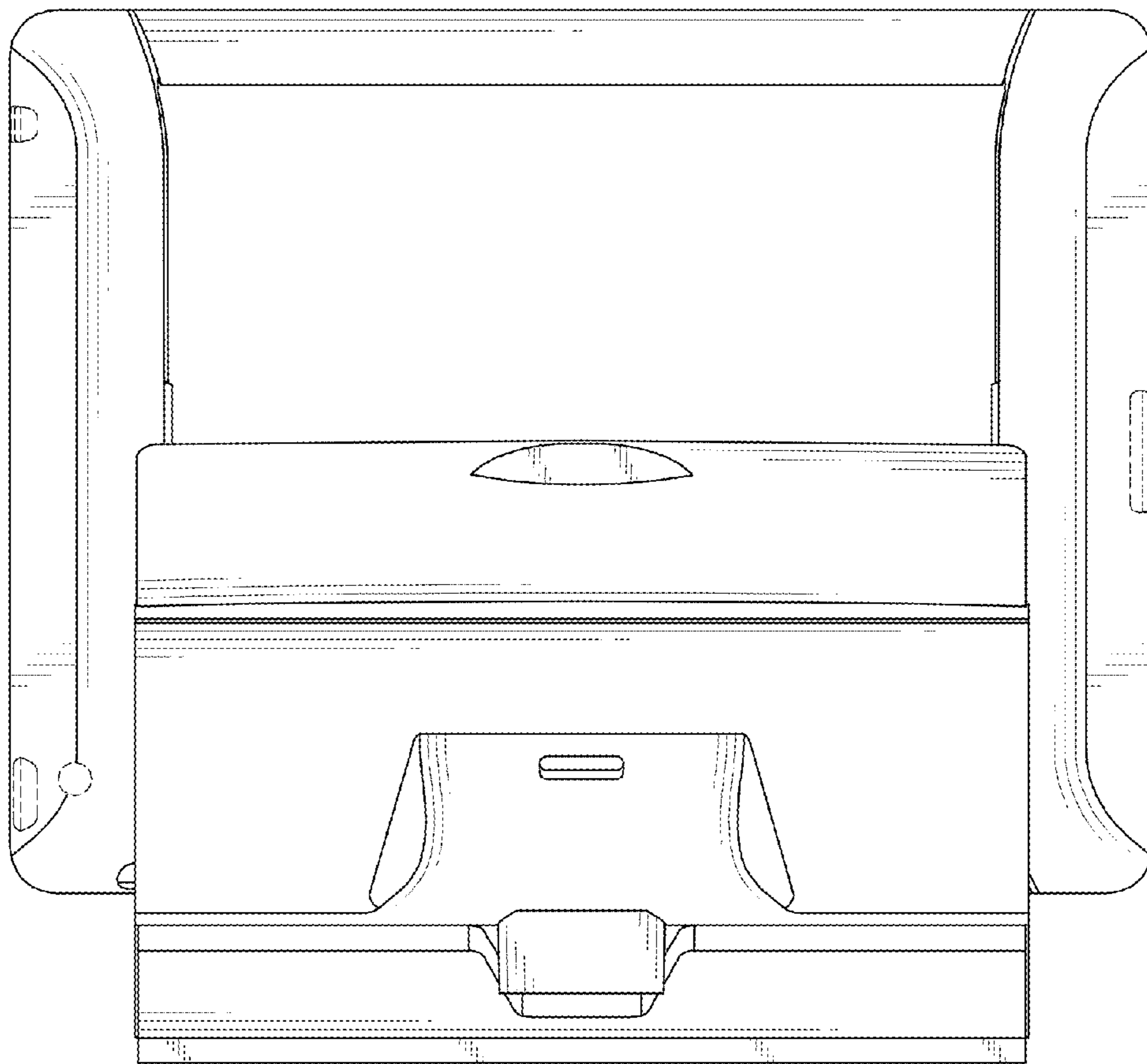


FIG. 24

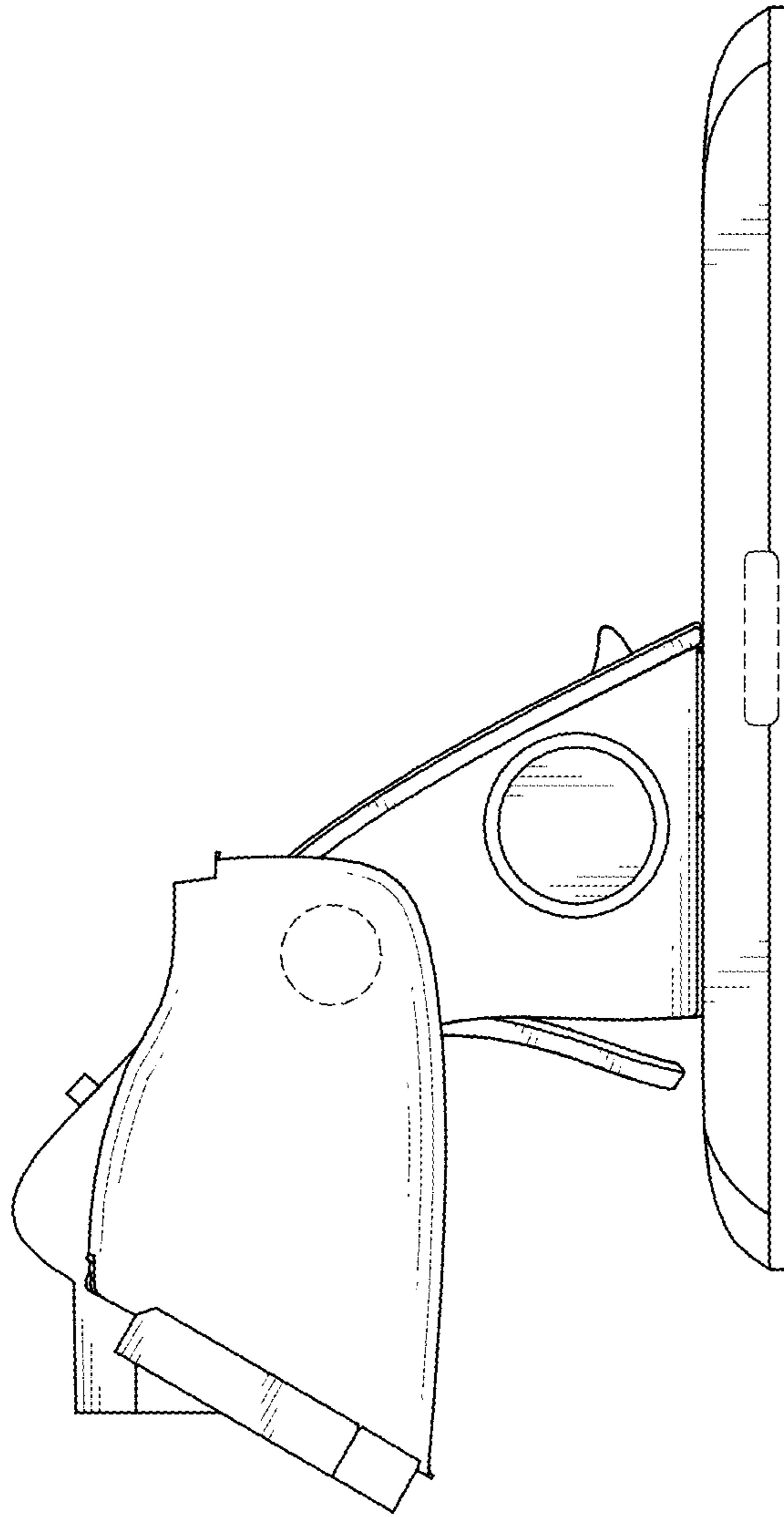


FIG. 25

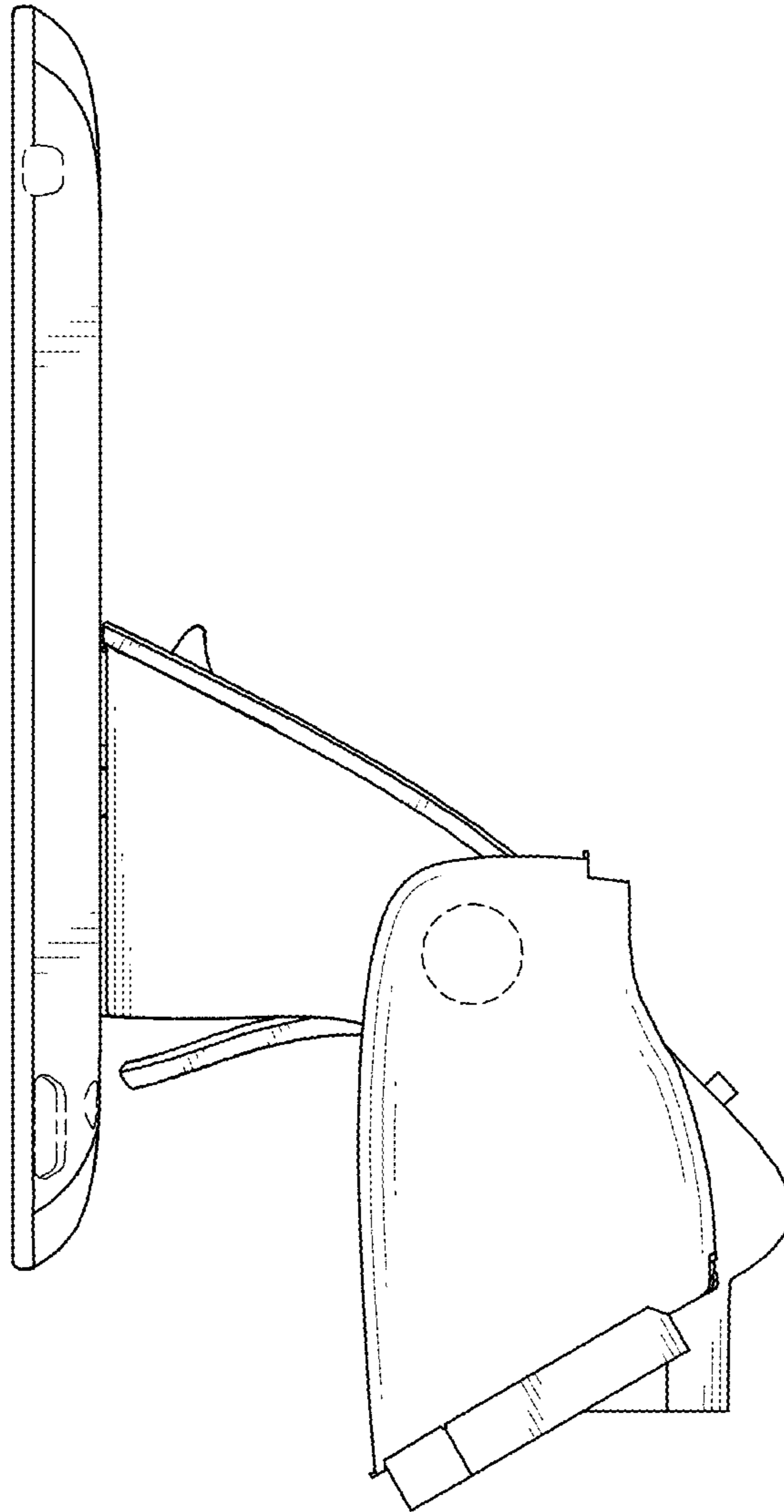


FIG. 26

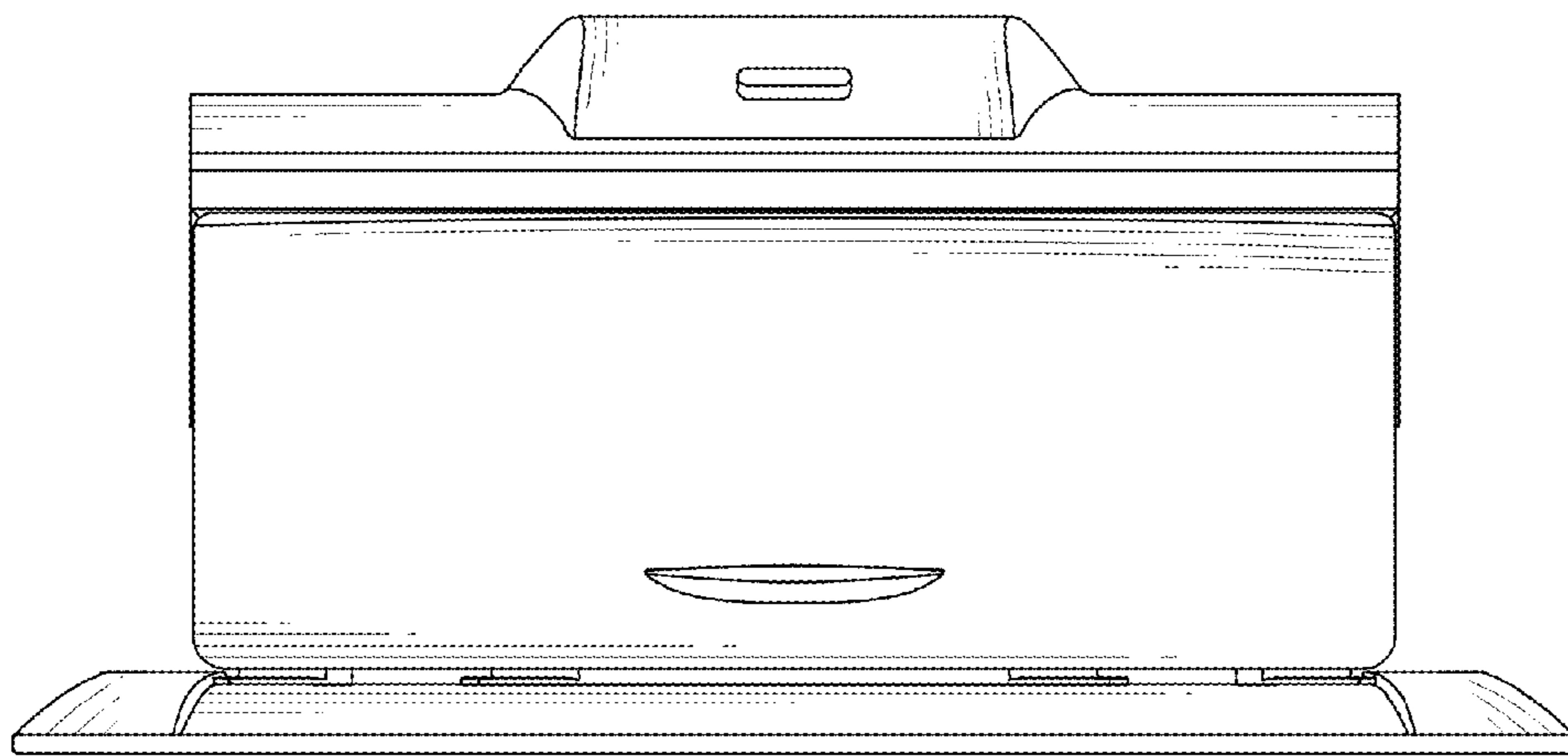


FIG. 27

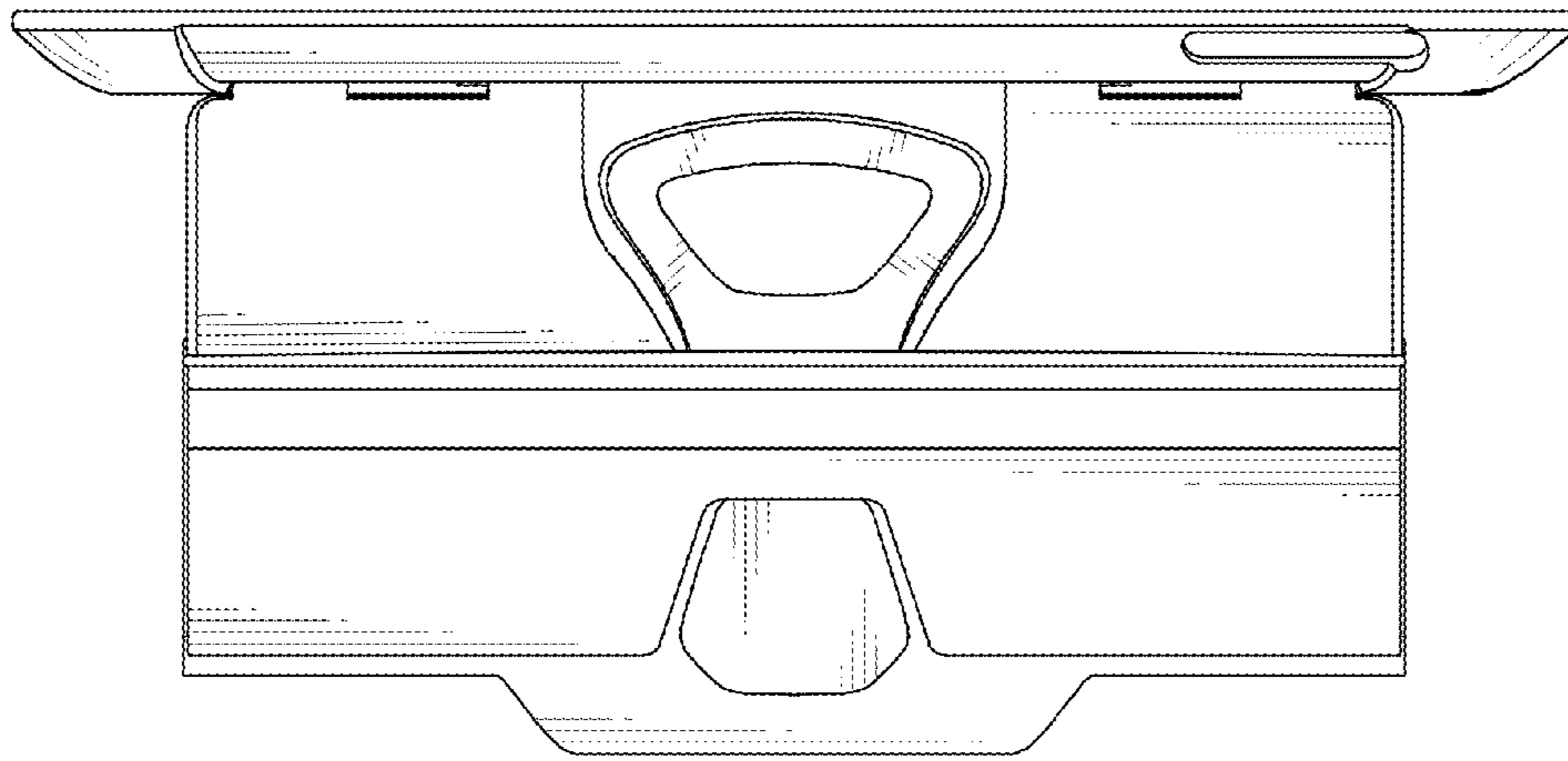


FIG. 28

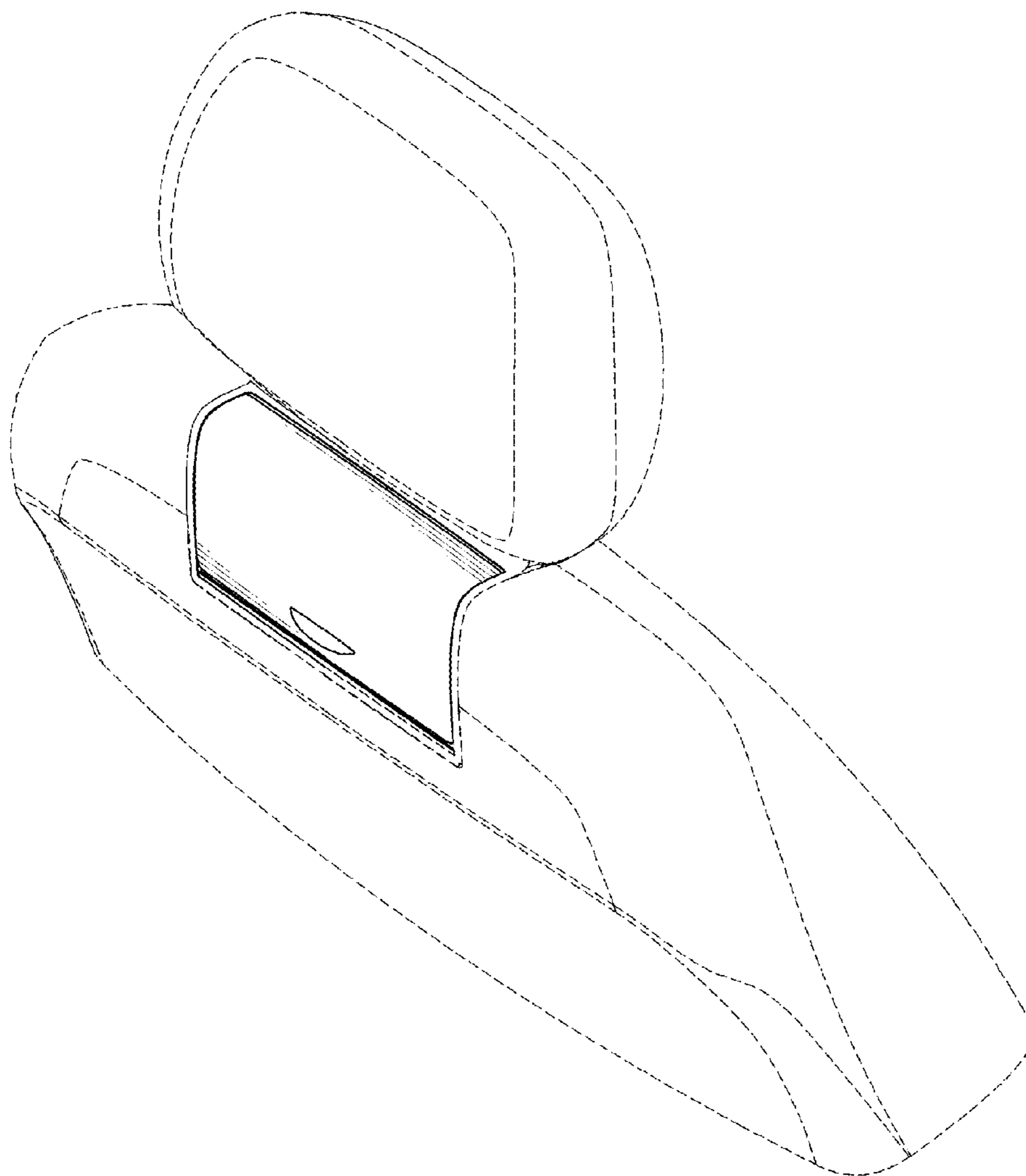


FIG. 29

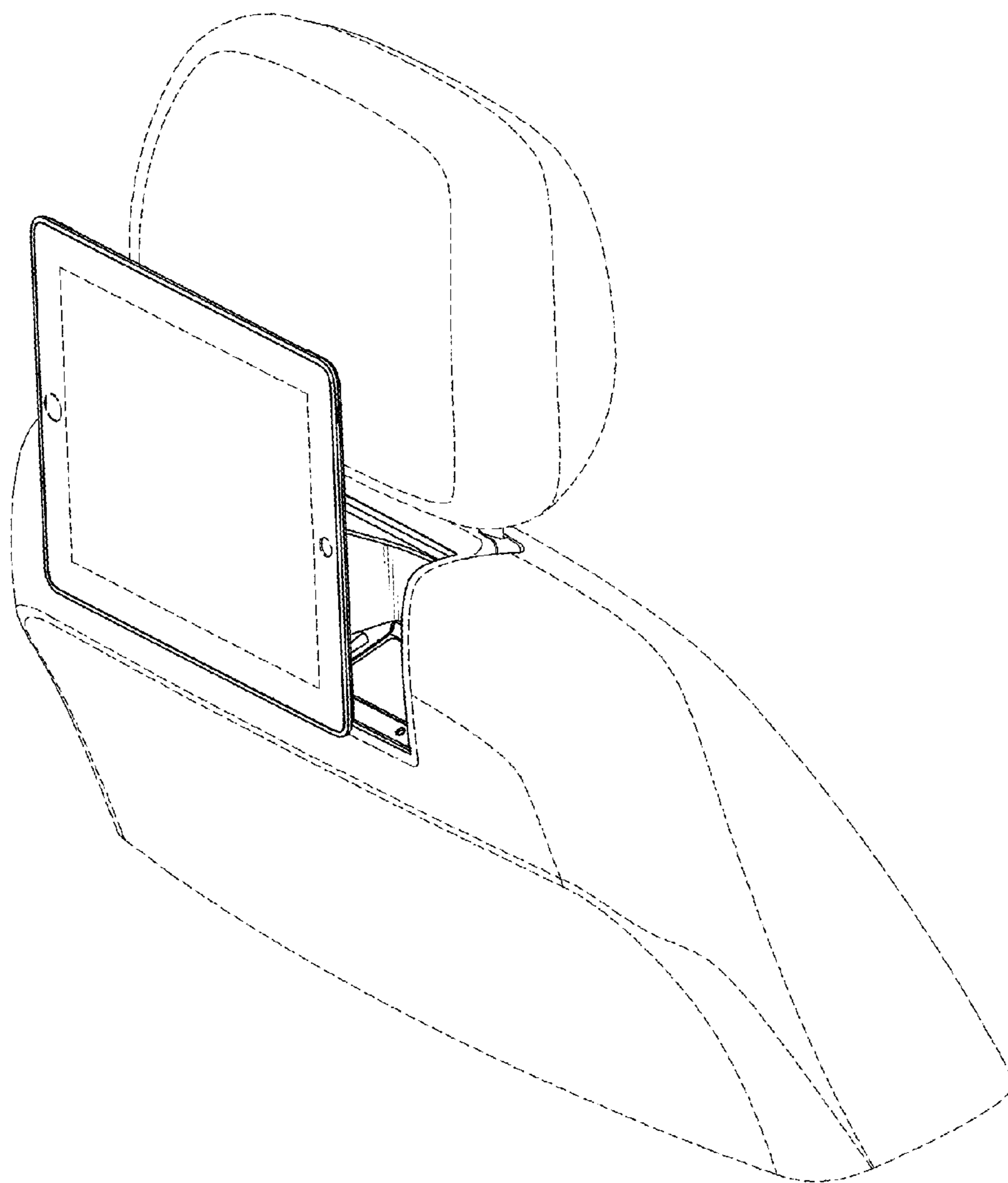


FIG. 30