

US00D732045S

(12) **United States Design Patent**
Stener

(10) **Patent No.:** **US D732,045 S**
(45) **Date of Patent:** **** Jun. 16, 2015**

(54) **STAND FOR SUPPORTING AN ELECTRONIC DEVICE**

(71) Applicant: **WILD WEST INVESTMENTS, LLC**,
Dallas, TX (US)

(72) Inventor: **Gavin Stener**, Dallas, TX (US)

(73) Assignee: **Wild West Investments, LLC**, Dallas,
TX (US)

(**) Term: **14 Years**

(21) Appl. No.: **29/443,794**

(22) Filed: **Jan. 22, 2013**

(51) **LOC (10) Cl.** **08-03**

(52) **U.S. Cl.**
USPC **D14/447**

(58) **Field of Classification Search**
USPC D14/447, 451, 452, 439, 440, 432, 457,
D14/460, 461, 217, 239, 251, 253;
D6/406.3, 406.4, 406.5, 406.6;
248/460, 917-924, 150, 176.1, 177.1,
248/181.1, 188.7; 361/679.02, 679.06,
361/679.07, 679.09, 679.21, 679.22,
361/679.26, 679.27, 679.3, 679.55, 679.56;
D8/363, 373, 380, 310, 354; D26/63,
D26/145, 141; D24/155; D25/66, 100, 126,
D25/132, 154, 155
CPC F16M 2200/00; F16M 13/00; A45C
2011/003; A45C 2011/002; A47B 2023/049;
A47B 2097/005; A47B 2097/006; A47B 21/04
See application file for complete search history.

(56) **References Cited**

U.S. PATENT DOCUMENTS

1,031,839	A	7/1912	Cochran	
1,050,321	A	1/1913	Winzenburg	
1,547,558	A *	7/1925	Browne	473/590
1,965,668	A	7/1934	Ringwald	
2,037,435	A	4/1936	Reichenbach	

D204,042	S	3/1966	Stix	
D244,407	S	5/1977	Gass	
D258,252	S	2/1981	Gass	
4,519,639	A *	5/1985	Florian	285/415
D290,558	S	6/1987	Zorrilla	
D310,520	S *	9/1990	Bedard	D14/432
D313,739	S *	1/1991	Preston	D8/354
D367,477	S *	2/1996	Rosen	D14/452
D369,746	S *	5/1996	Sheppard	D9/434
D369,780	S *	5/1996	Sachs	D13/133
D382,677	S	8/1997	Muir	
D385,751	S	11/1997	Hollinger	
D415,768	S *	10/1999	Howell	D14/451

(Continued)

Primary Examiner — Angela J Lee

(74) *Attorney, Agent, or Firm* — Dentons US LLP

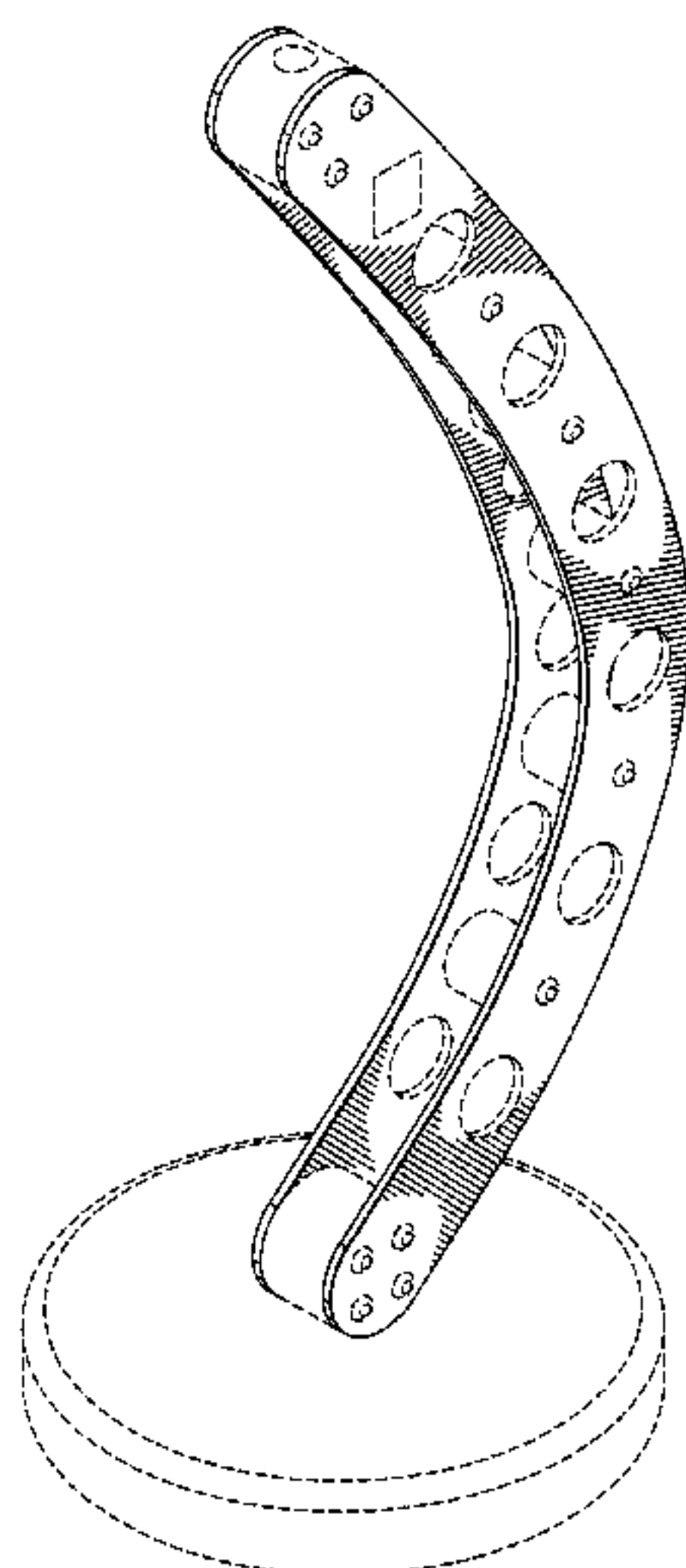
(57) **CLAIM**

The ornamental design for stand for supporting an electronic device, as shown and described.

DESCRIPTION

FIG. 1 is an illustration of a perspective view of an ornamental design for a stand for supporting an electronic device;
FIG. 2 is an illustration of a front view of an ornamental design of the stand;
FIG. 3 is an illustration of a rear view of an ornamental design of the stand;
FIG. 4 is an illustration of a left-side view of an ornamental design of the stand;
FIG. 5 is an illustration of a right-side view of an ornamental design of the stand;
FIG. 6 is an illustration of a top view of an ornamental design of the stand;
FIG. 7 is an illustration of a bottom view of an ornamental design of the stand;
FIG. 8 is an illustration of a perspective view of the stand for supporting an electronic device; and,
FIG. 9 is an illustration of a perspective view of the stand for supporting an electronic device.
The dashed lines shown in the drawings show environmental structure and are not part of the claimed design.

1 Claim, 8 Drawing Sheets



(56)

References Cited

U.S. PATENT DOCUMENTS

6,007,038 A 12/1999 Han
 D440,147 S * 4/2001 Rimback D8/363
 D444,633 S 7/2001 Henick
 6,398,172 B1 6/2002 Rousek et al.
 D459,898 S 7/2002 Sanford
 D466,656 S 12/2002 Kuelbs et al.
 D474,616 S 5/2003 Henick
 D477,325 S * 7/2003 Theis et al. D14/451
 D477,606 S * 7/2003 Theis et al. D14/451
 D479,772 S 9/2003 Henick
 D486,832 S * 2/2004 Masuda et al. D14/451
 6,749,429 B1 * 6/2004 Haraden et al. 433/39
 D517,897 S * 3/2006 Want et al. D8/300
 7,032,872 B2 * 4/2006 Sullivan 248/346.07
 D524,111 S 7/2006 Goodman et al.
 D532,981 S 12/2006 Zadro
 D538,109 S 3/2007 Goodman et al.
 D562,331 S * 2/2008 Li D14/452
 7,341,356 B1 3/2008 Zadro
 D592,669 S * 5/2009 Malisse et al. D14/451

D608,771 S * 1/2010 Hsu D14/239
 7,644,897 B2 1/2010 Shin
 D613,524 S 4/2010 Jeffers
 D614,613 S 4/2010 Kim et al.
 D617,329 S * 6/2010 Woodward et al. D14/451
 D623,634 S * 9/2010 Molter et al. D14/239
 D634,980 S 3/2011 Goodman et al.
 D644,041 S 8/2011 Bugio
 8,025,016 B2 9/2011 Adams
 8,087,629 B2 1/2012 Gotovac
 D654,054 S 2/2012 Kohte et al.
 D657,231 S * 4/2012 Springer D8/354
 D691,150 S * 10/2013 Stener D14/447
 D692,899 S * 11/2013 Bremenkamp D14/447
 D718,295 S * 11/2014 Fan D14/251
 2007/0252919 A1 11/2007 McGreevy
 2008/0103596 A1 * 5/2008 Shikinami et al. 623/17.16
 2010/0252696 A1 10/2010 Sage
 2011/0292666 A1 12/2011 Gallagher
 2012/0091307 A1 4/2012 Haynes
 2012/0187257 A1 7/2012 Zou
 2014/0203156 A1 * 7/2014 Stener 248/425

* cited by examiner

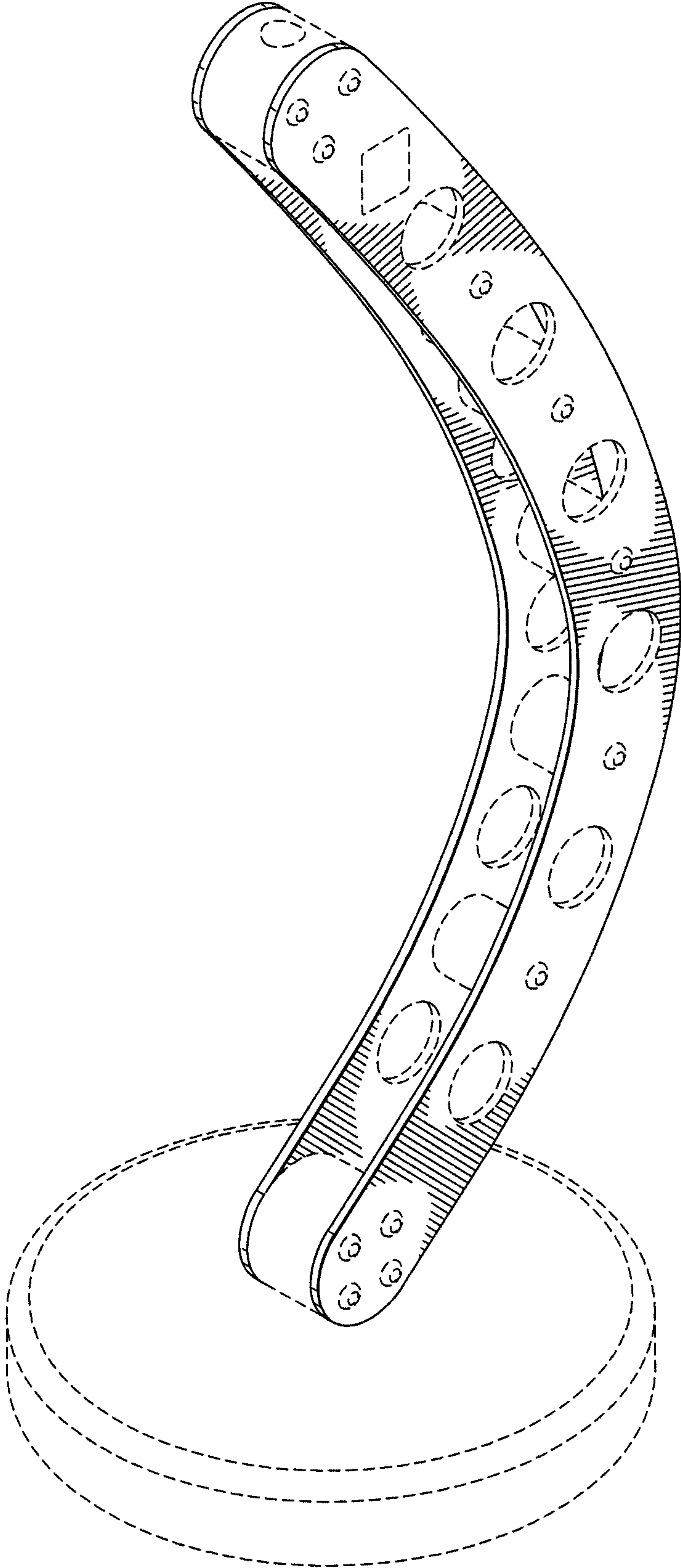


FIG. 1

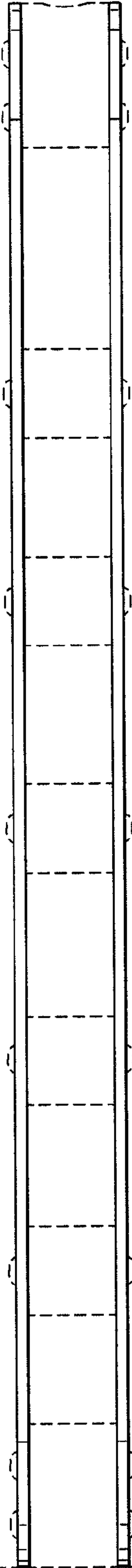
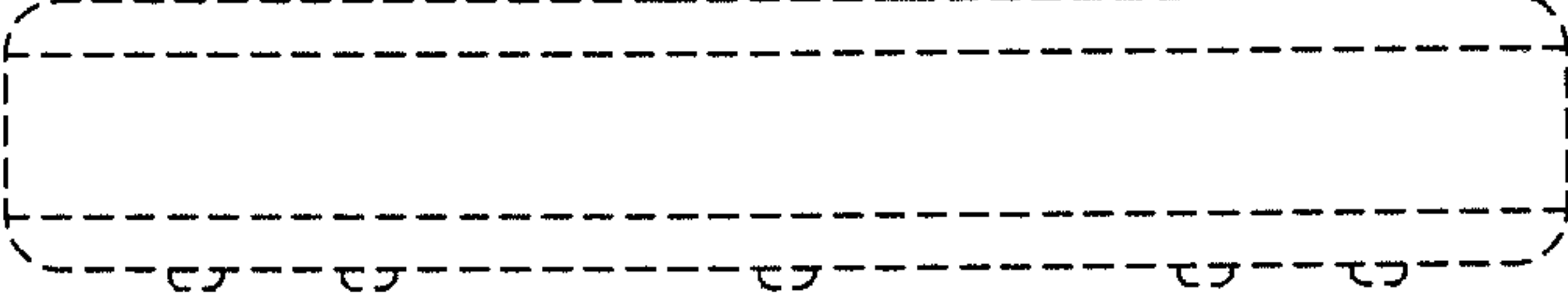


FIG. 2



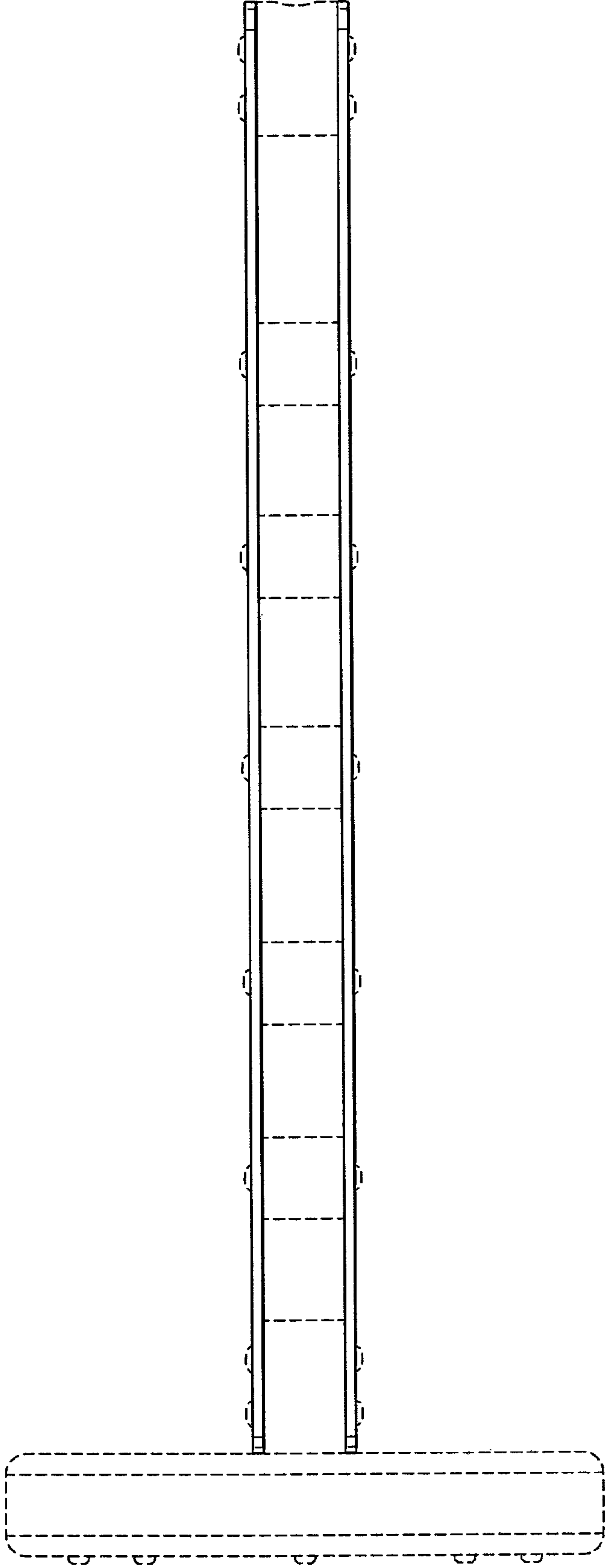


FIG. 3

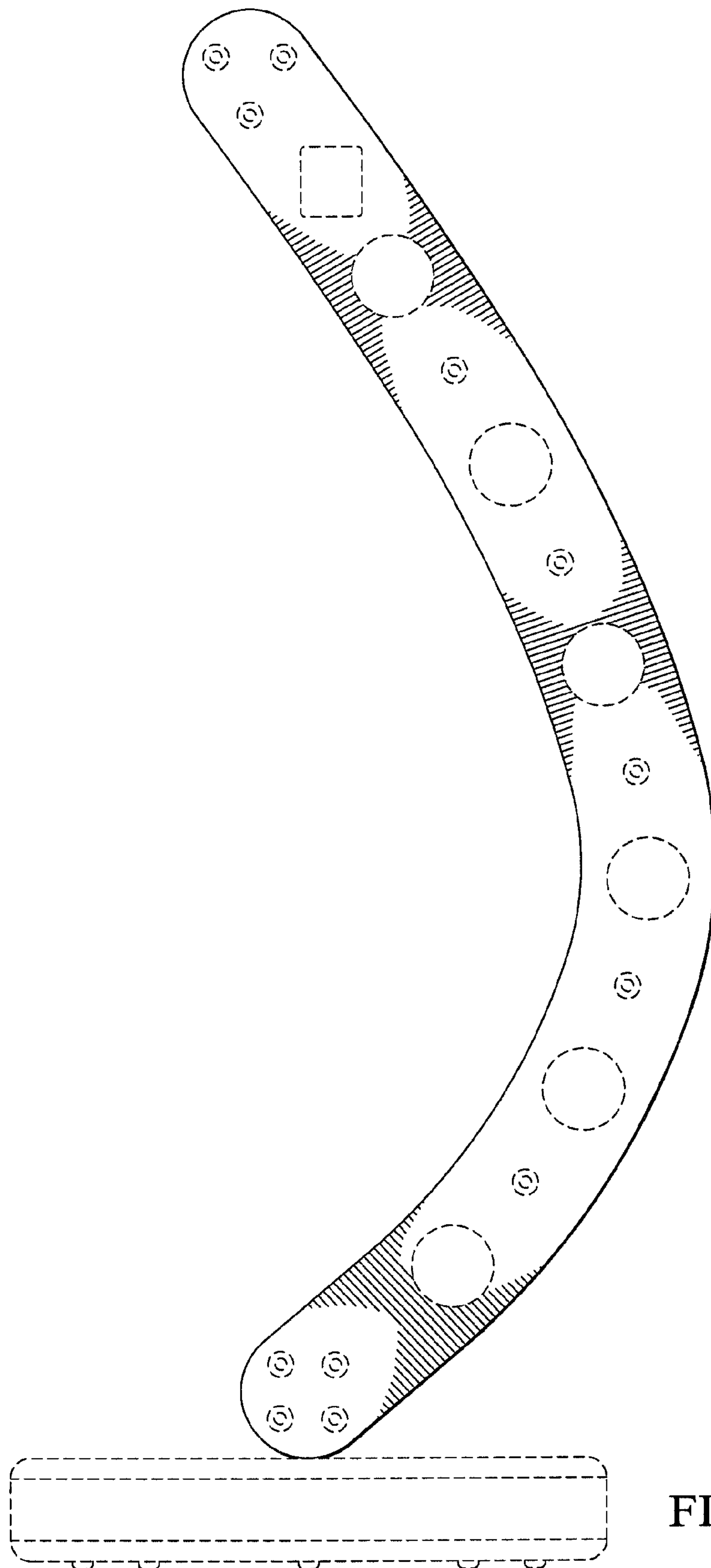


FIG. 4

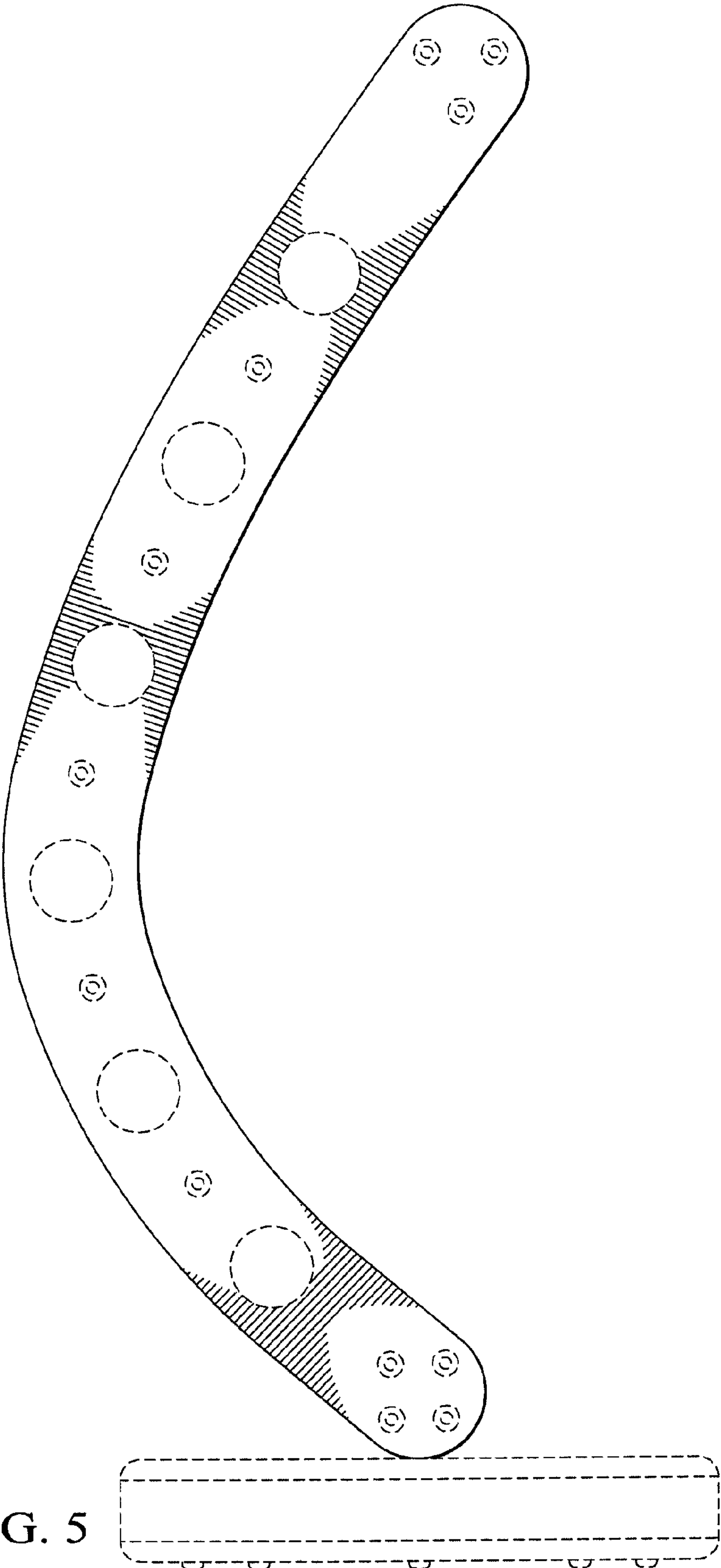


FIG. 5

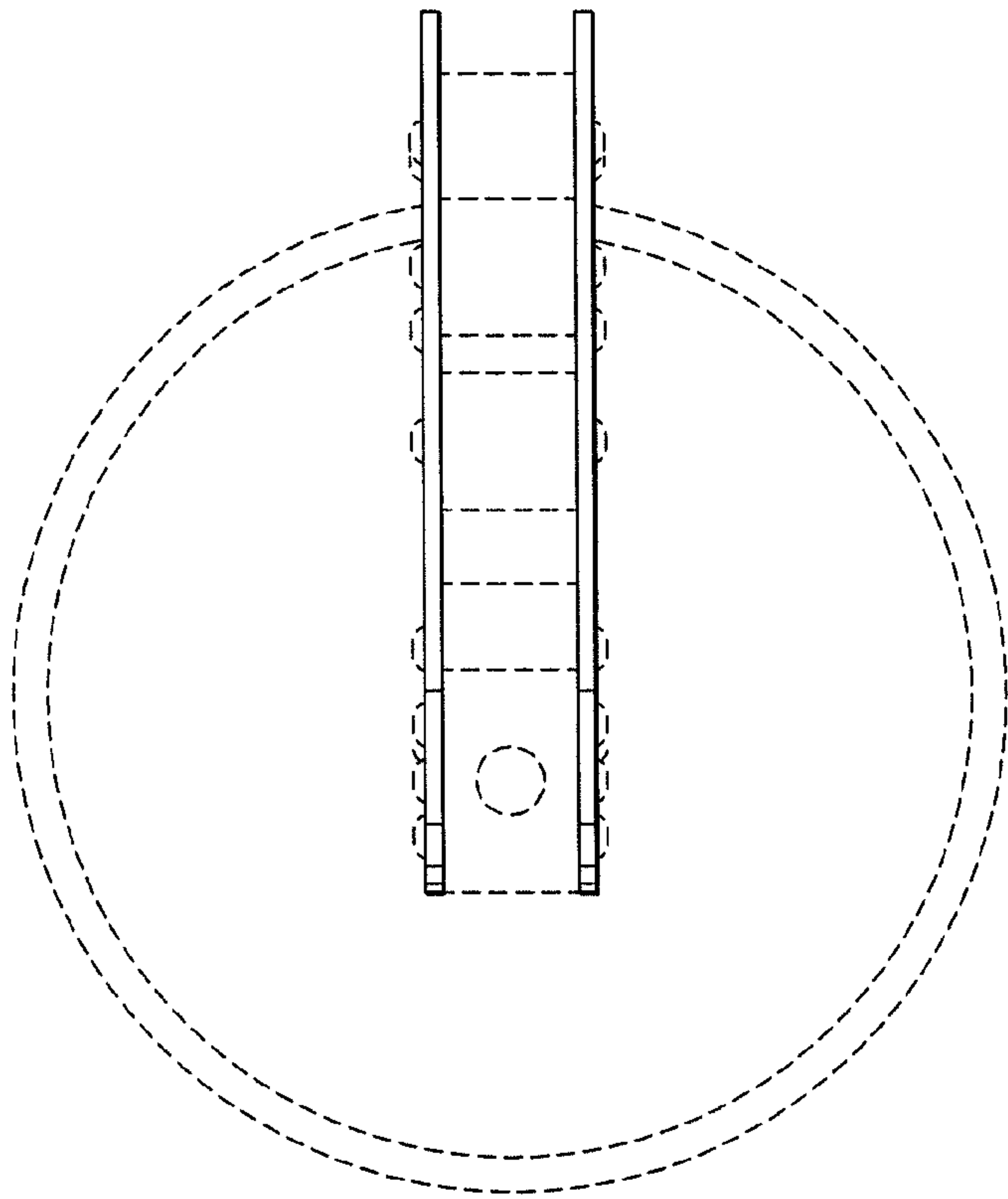


FIG. 6

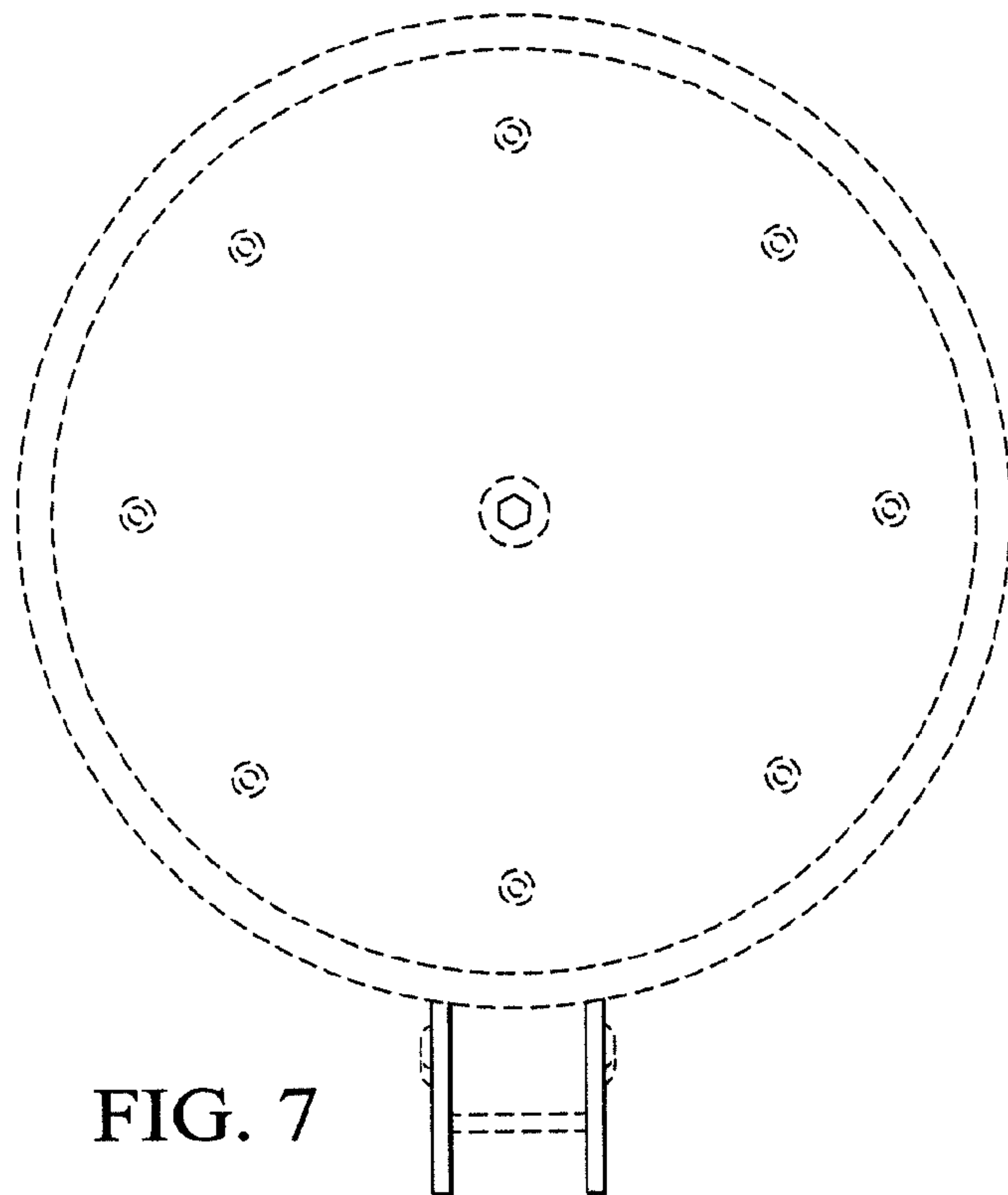


FIG. 7

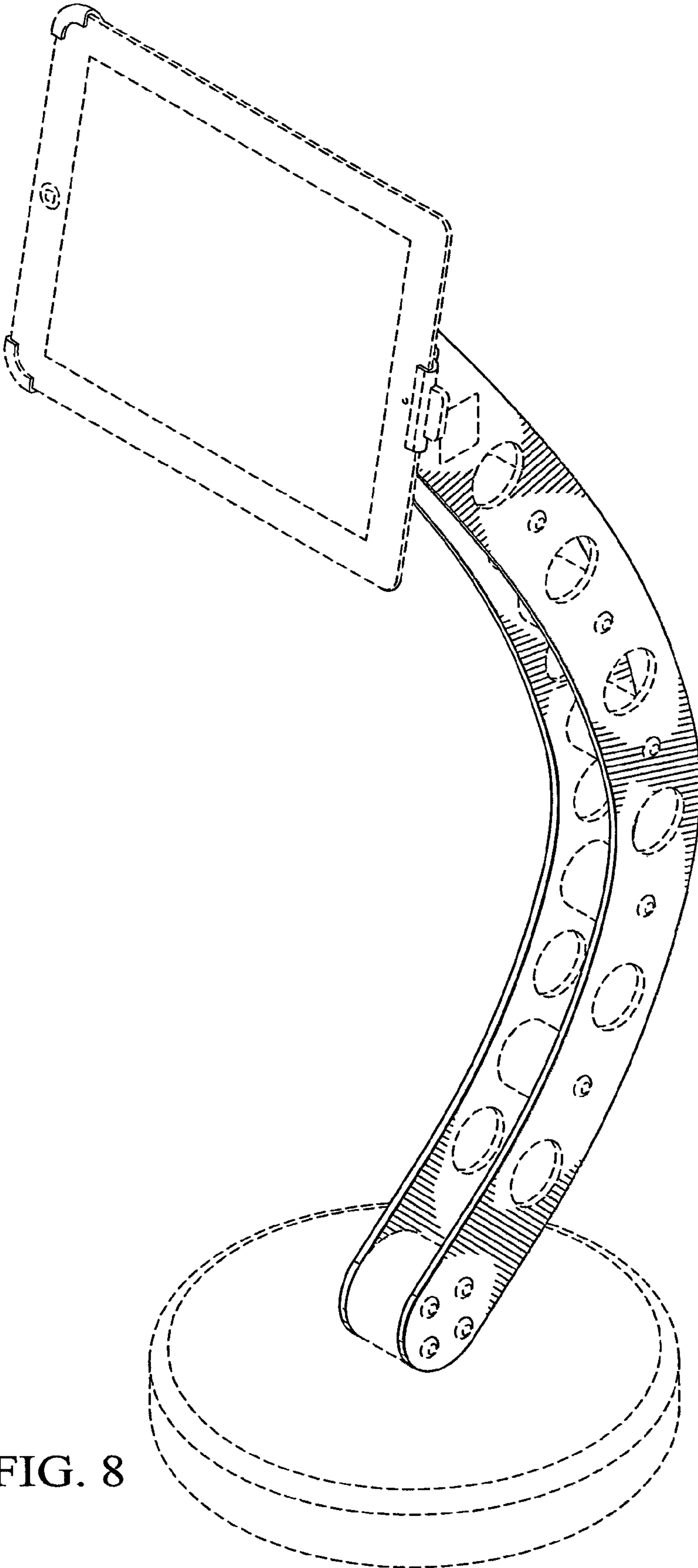


FIG. 8

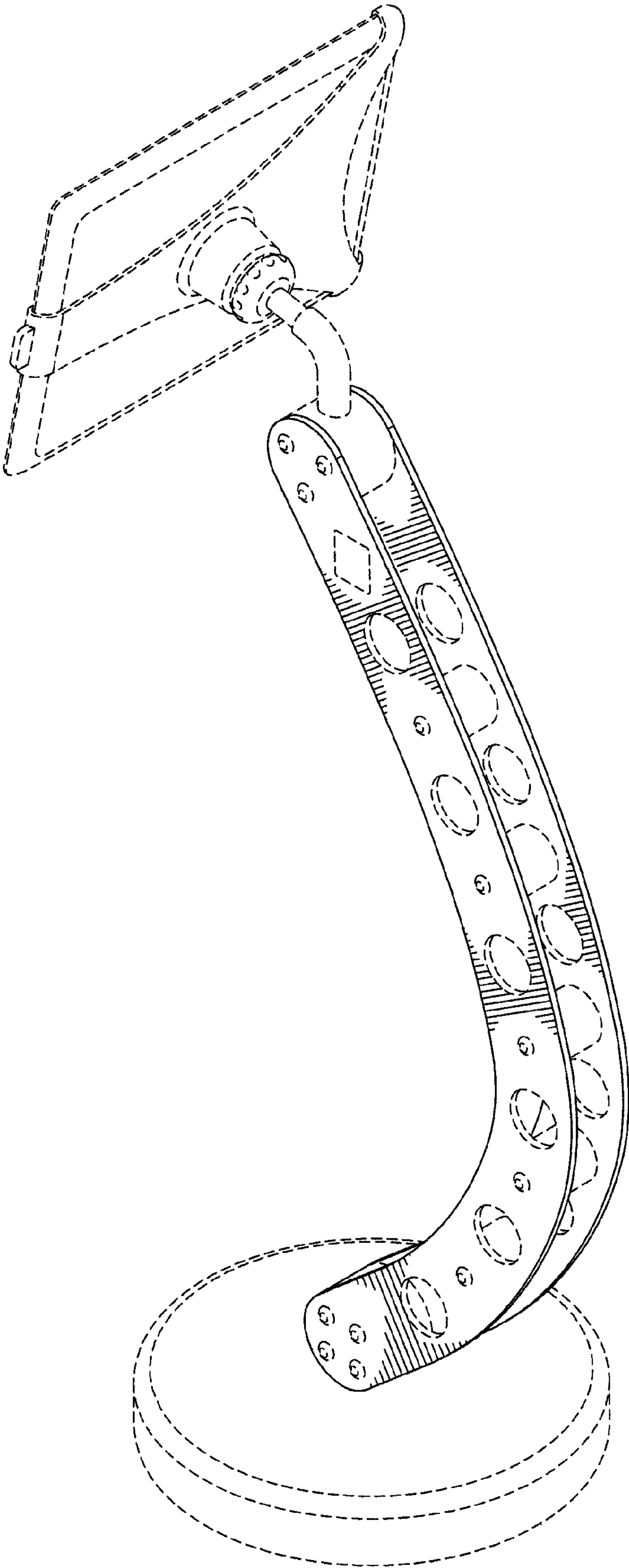


FIG. 9