



US00D732042S

(12) **United States Design Patent**
Chen et al.

(10) **Patent No.:** **US D732,042 S**
(45) **Date of Patent:** **** Jun. 16, 2015**

- (54) **TABLET JACKET**
- (71) Applicant: **Hewlett-Packard Development Company, L.P.**, Houston, TX (US)
- (72) Inventors: **Eric Chen**, Houston, TX (US); **Ki Bok Song**, Katy, TX (US)
- (73) Assignee: **Hewlett-Packard Development Company, L.P.**, Houston, TX (US)
- (**) Term: **14 Years**
- (21) Appl. No.: **29/433,429**
- (22) Filed: **Sep. 28, 2012**
- (51) **LOC (10) Cl.** **14-02**
- (52) **U.S. Cl.**
USPC **D14/440**
- (58) **Field of Classification Search**
USPC D14/138 G, 250, 251, 253, 240, 217, D14/496, 440, 203.3, 203.4, 203.5, 203.8, D14/341, 318, 345; D3/218, 215, 201, 269, D3/273, 294, 289, 303, 327, 900; D21/469; 220/4.02; 248/309.1; 361/679.56; 379/426, 433.11, 455; 455/575.1, 575.8; 190/100; 206/305, 206/320
See application file for complete search history.

(56) **References Cited**
U.S. PATENT DOCUMENTS

D673,958 S *	1/2013	Fathollahi	D14/440
D674,394 S *	1/2013	Kajimoto	D14/440
D675,210 S *	1/2013	Kim	D14/440
D676,050 S *	2/2013	Sanz	D14/440
D685,799 S *	7/2013	Canizares et al.	D14/440
D685,800 S *	7/2013	Canizares et al.	D14/440
D685,801 S *	7/2013	Canizares et al.	D14/440
D688,251 S *	8/2013	Akana et al.	D14/440
D689,481 S *	9/2013	Song et al.	D14/341
D689,498 S *	9/2013	Akana et al.	D14/440

D689,499 S *	9/2013	Chen et al.	D14/440
D690,703 S *	10/2013	Welch et al.	D14/440
D692,433 S *	10/2013	Akana et al.	D14/440
D692,880 S *	11/2013	Song et al.	D14/341
D694,245 S *	11/2013	Sanz	D14/440
D696,669 S *	12/2013	Akana et al.	D14/440
D703,209 S *	4/2014	Marcus	D14/440
D706,782 S *	6/2014	Dresser, III	D14/440
D708,621 S *	7/2014	Gifford et al.	D14/447
2014/0083997 A1 *	3/2014	Chen et al.	220/4.02

OTHER PUBLICATIONS

“HP ELitePad Expansion Suite”. HP Computers YouTube Channel. You Tube. May 16, 2013. Web. <<http://www.youtube.com/watch?v=dM4SlkgqyPo>>.*

* cited by examiner

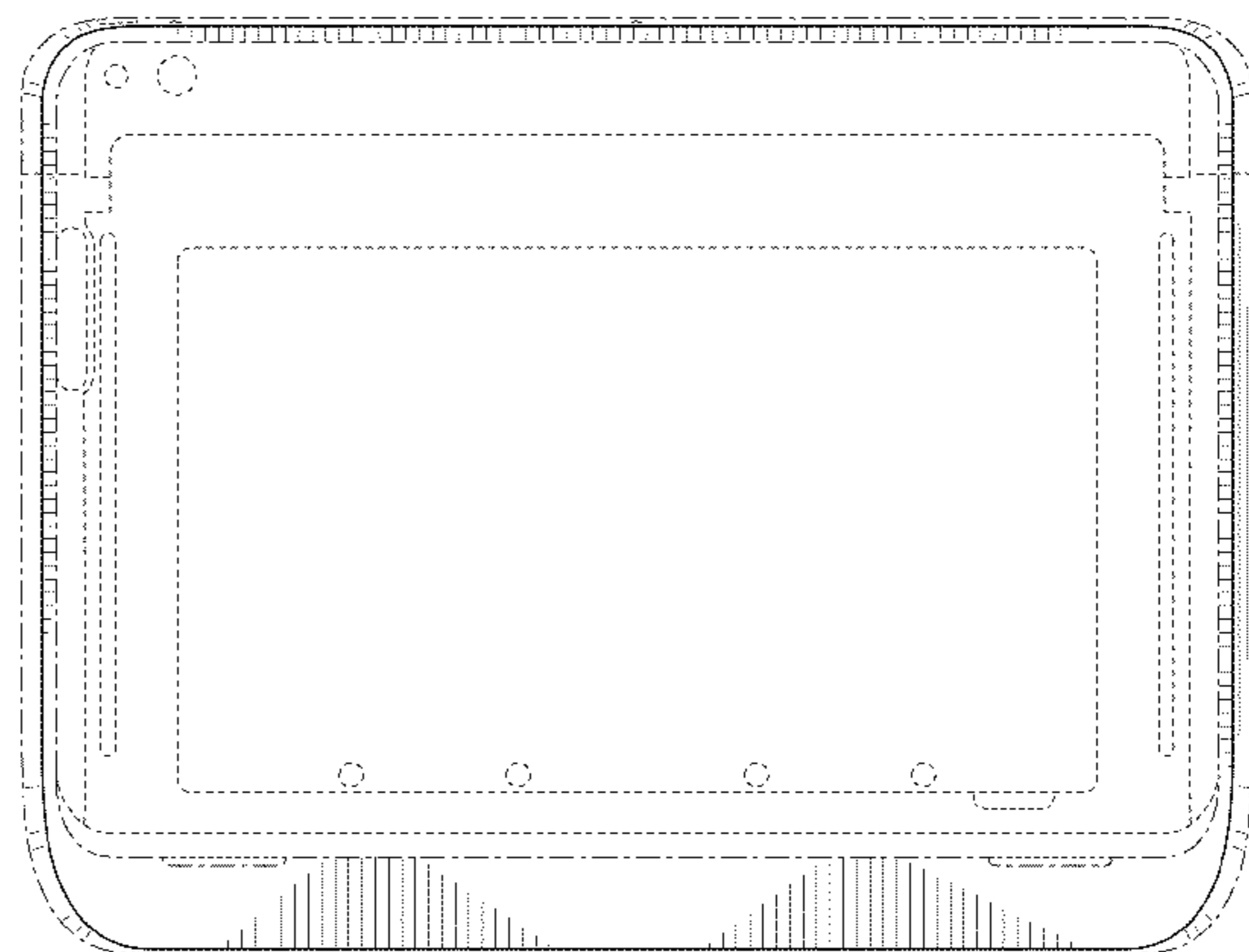
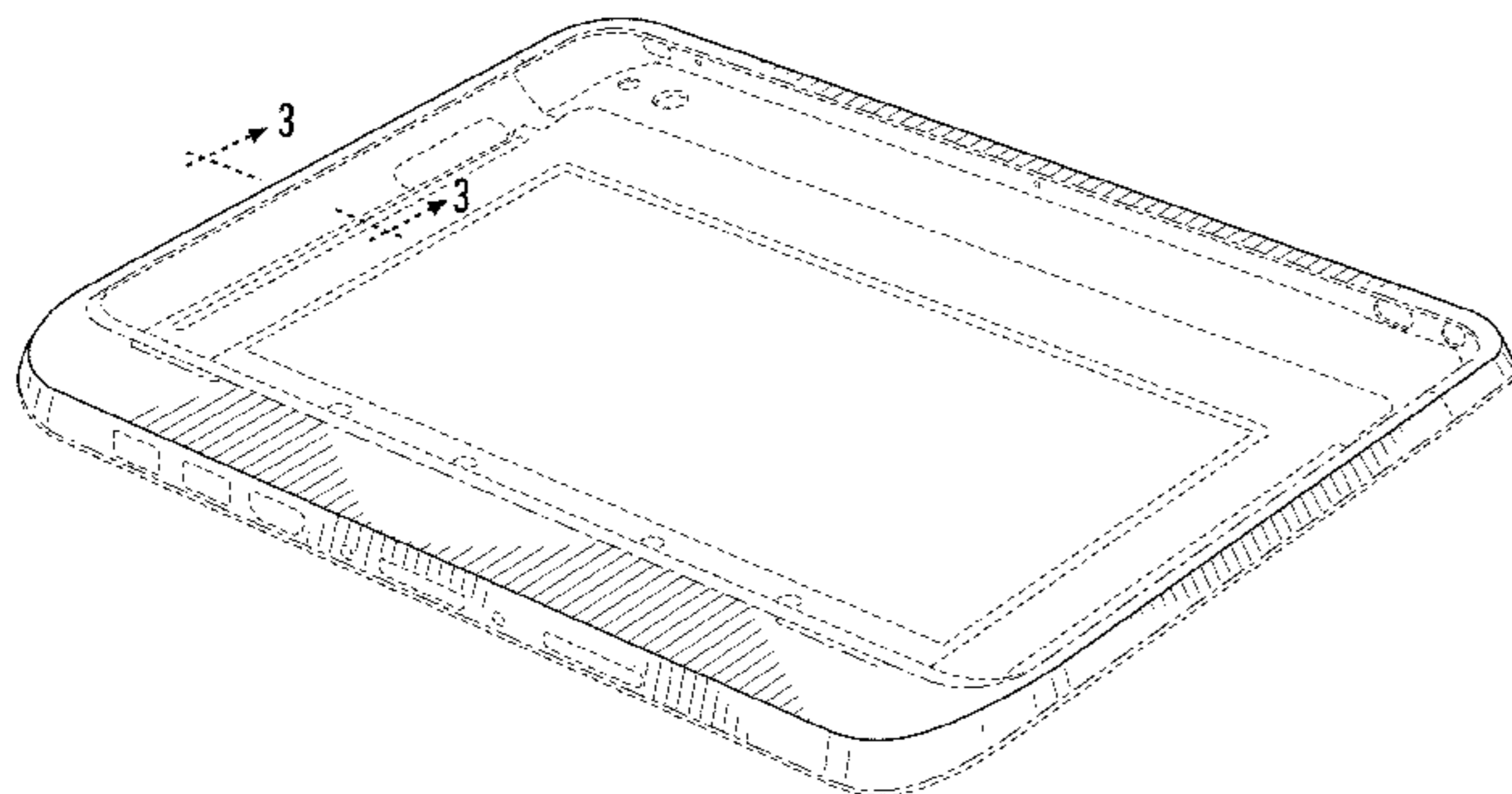
Primary Examiner — Barbara Fox
Assistant Examiner — Lilyana Bekic
(74) *Attorney, Agent, or Firm* — Rathe Lindenbaum LLP

(57) **CLAIM**
We claim the ornamental design for a tablet jacket, as shown and described.

DESCRIPTION

FIG. 1 is a rear perspective view of a tablet jacket; FIG. 2 is a front perspective view thereof; FIG. 3 is a sectional view thereof taken along line 3-3 of FIG. 2; FIG. 4 is a rear view thereof; FIG. 5 is a front view thereof; FIG. 6 is a top view thereof; FIG. 7 is a bottom view thereof; FIG. 8 is a left side view thereof; and, FIG. 9 is a right side view thereof. The dash-dash broken lines in the drawings illustrate portions of the tablet jacket which form no part of the claimed design. The short dash-long dash type lines represent boundaries of the claimed design and form no part thereof.

1 Claim, 5 Drawing Sheets



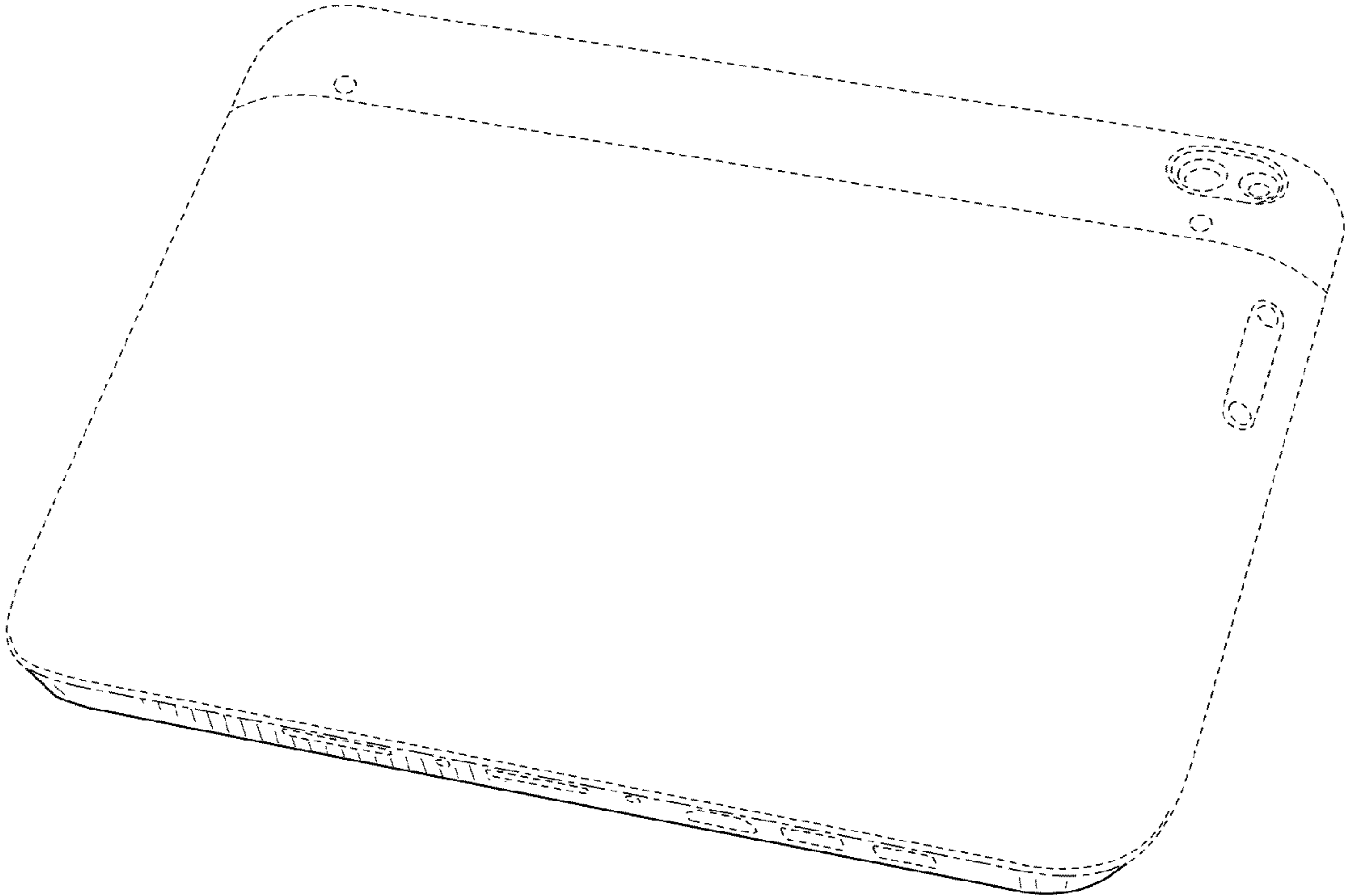


FIG. 1

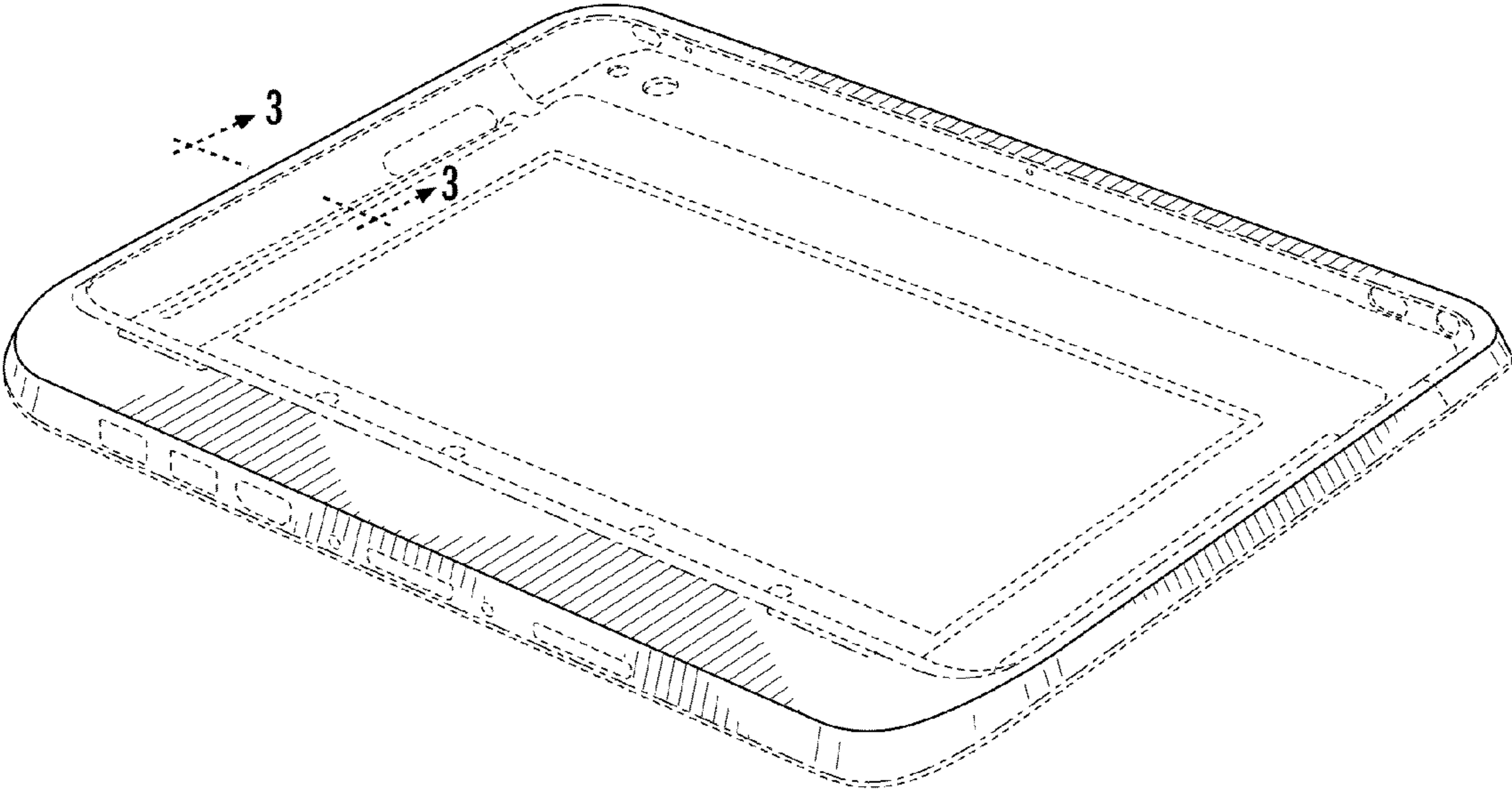


FIG. 2

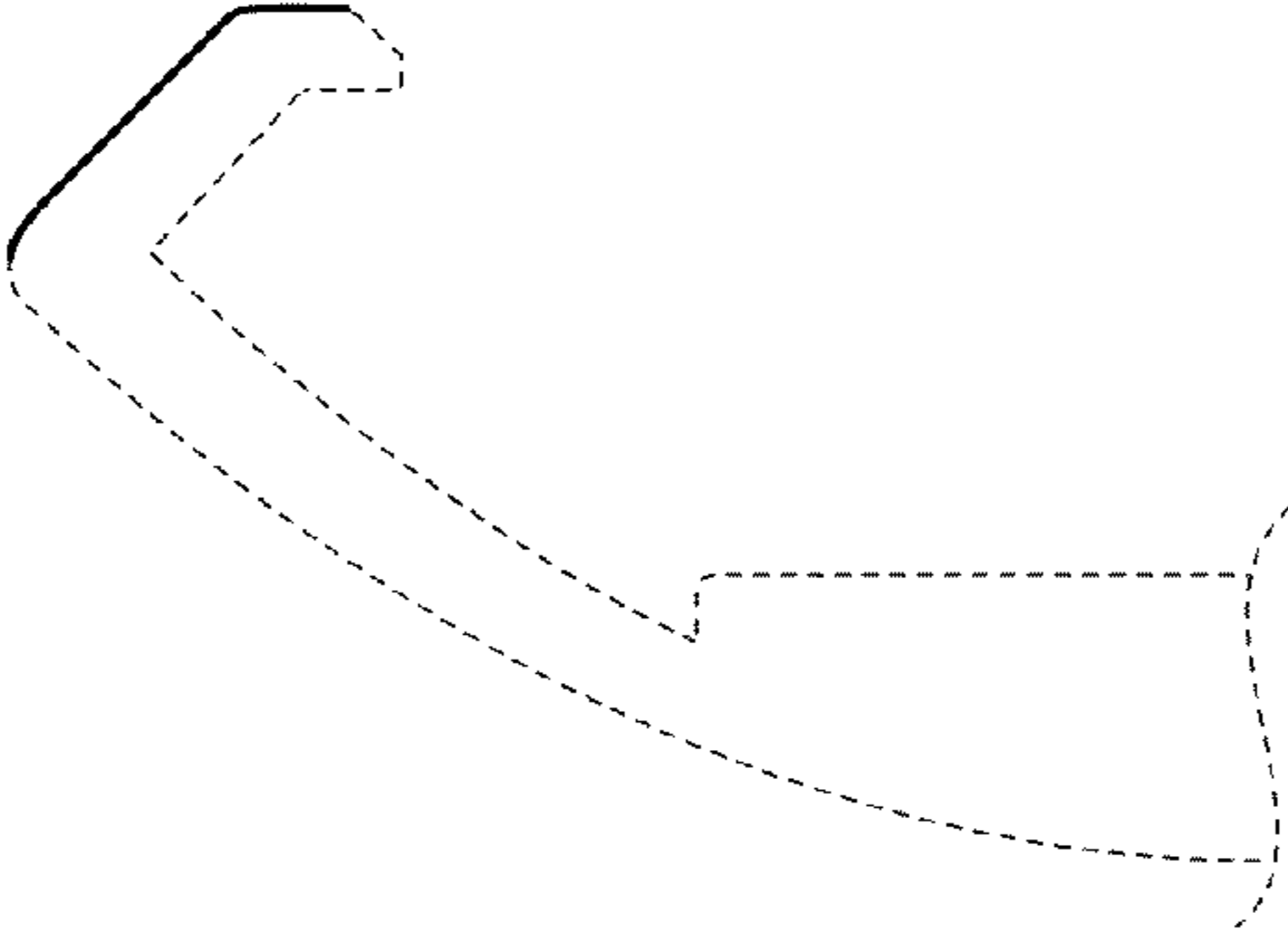


FIG. 3



FIG. 4

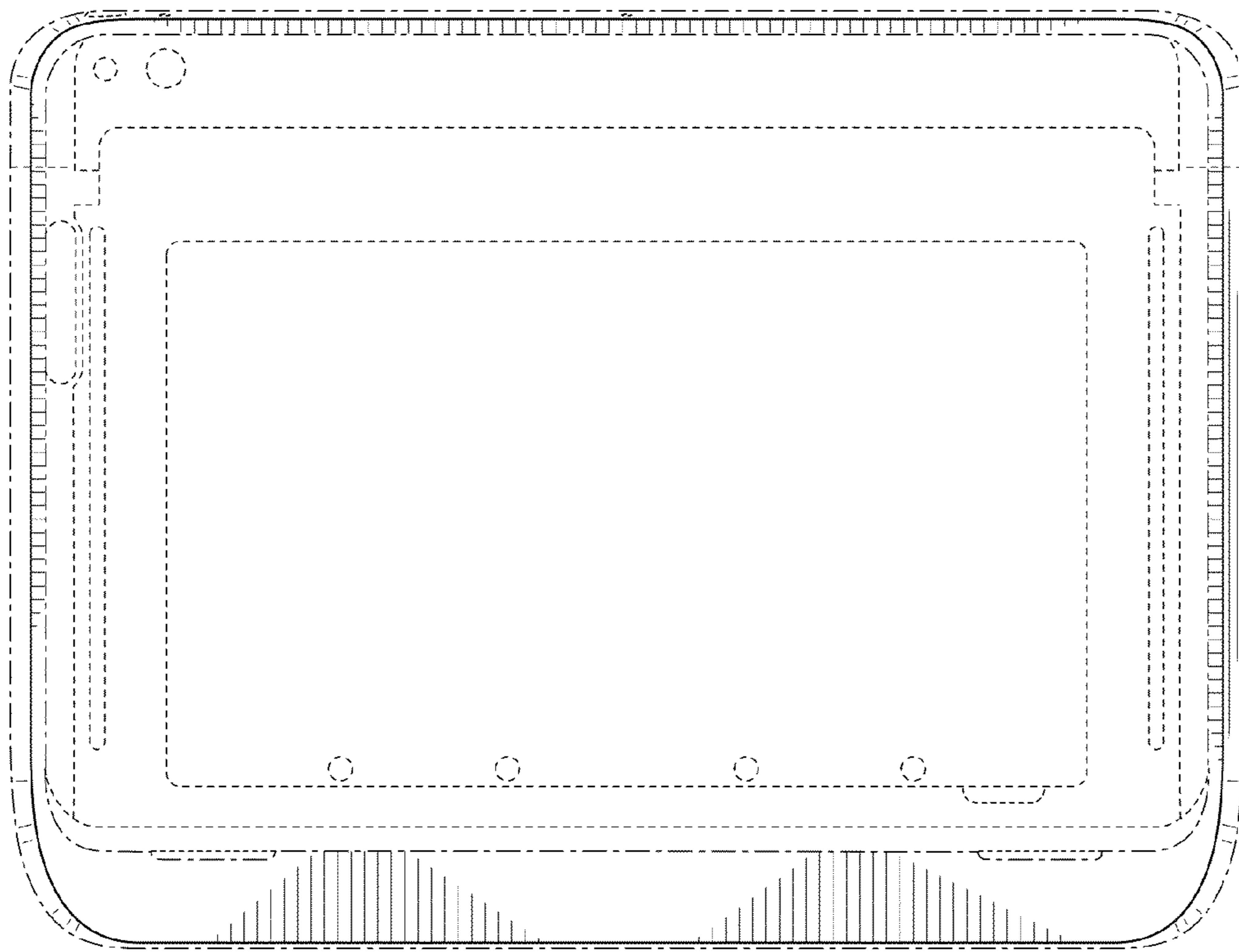


FIG. 5



FIG. 6



FIG. 7

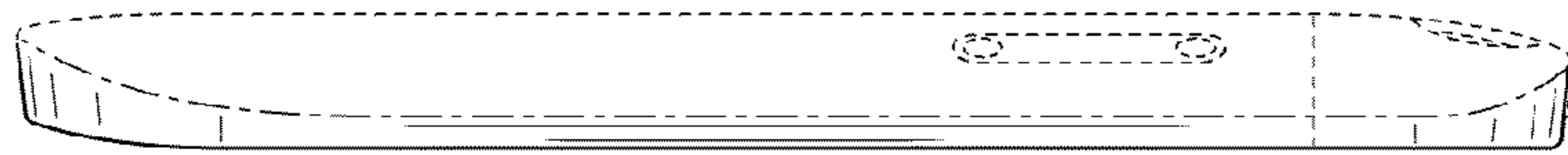


FIG. 8

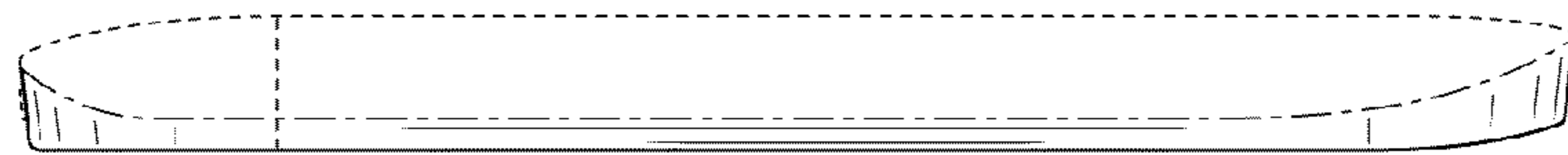


FIG. 9