



US00D732041S

(12) **United States Design Patent**
Conn et al.

(10) **Patent No.:** **US D732,041 S**
(45) **Date of Patent:** **** Jun. 16, 2015**

(54) **ENCLOSURE**

(71) Applicant: **Hewlett-Packard Development Company, L.P.**, Houston, TX (US)

(72) Inventors: **Kevin Conn**, Houston, TX (US); **Keith J. Kuehn**, Houston, TX (US); **Robert J. Kelley**, Houston, TX (US)

(73) Assignee: **Hewlett-Packard Development Company, L.P.**, Houston, TX (US)

(**) Term: **14 Years**

(21) Appl. No.: **29/509,511**

(22) Filed: **Nov. 18, 2014**

(51) **LOC (10) Cl.** **14-02**

(52) **U.S. Cl.**
USPC **D14/439**; D14/433

(58) **Field of Classification Search**
USPC D14/300–302, 308–313, 314, 348,
D14/353–355, 432, 439–446, 240;
361/679.02, 679.31, 679.5, 690, 694,
361/679.23, 801, 802; 312/332.1, 334.1;
D13/162; D10/50; 174/50, 520
CPC H05K 5/00; H05K 7/1489; G06F 1/16
See application file for complete search history.

(56) **References Cited**

U.S. PATENT DOCUMENTS

D405,987 S * 2/1999 Kuehn D6/449
D409,171 S * 5/1999 Wu D14/439
D583,382 S * 12/2008 Lindner et al. D14/439
D588,600 S * 3/2009 Lindner et al. D14/439

D590,402 S * 4/2009 Lindner et al. D14/439
D627,357 S * 11/2010 Searby et al. D14/439
D688,248 S * 8/2013 Tsuda et al. D14/439
D699,720 S * 2/2014 Kuehn et al. D14/348
D705,784 S * 5/2014 Kuehn et al. D14/441

* cited by examiner

Primary Examiner — Austin Murphy

(74) *Attorney, Agent, or Firm* — Foley & Lardner LLP

(57) **CLAIM**

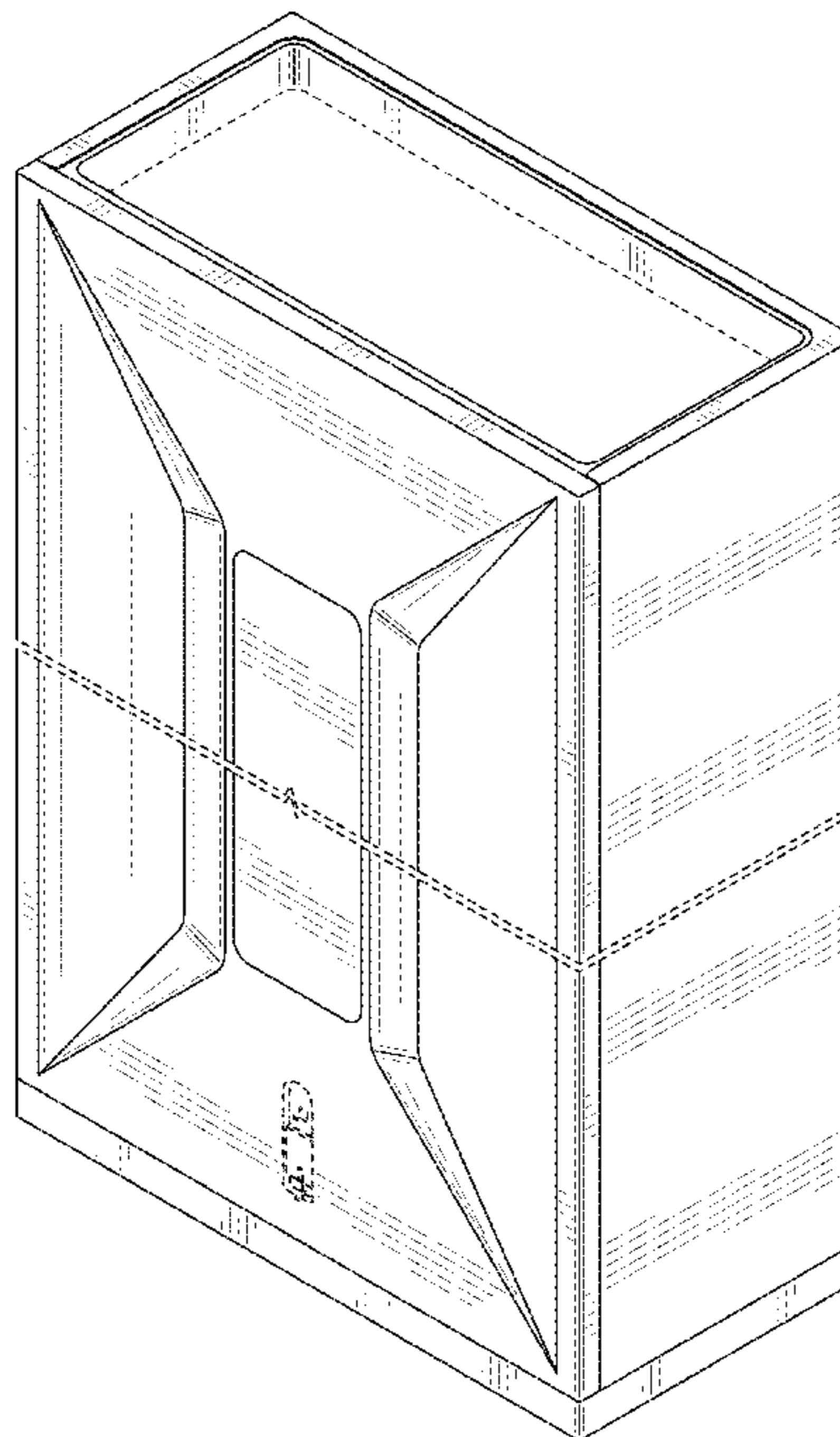
We claim the ornamental design for an enclosure, as shown and described.

DESCRIPTION

FIG. 1 is a top, front, right isometric view of an embodiment of the claimed design;
FIG. 2 is a bottom, front, right isometric view thereof;
FIG. 3 is a front elevation view thereof;
FIG. 3 is a rear elevation view thereof;
FIG. 5 is a right elevation view thereof;
FIG. 6 is a left elevation view thereof;
FIG. 7 is a top plan view thereof; and,
FIG. 8 is a bottom plan view thereof.

The ornamental design which is claimed is shown in solid lines in the drawings. The broken lines in the drawings form no part of the claimed design. Broken lines formed by equal length dashes show unclaimed subject matter. Broken away symbols having a jagged element show that no particular length of the portion is claimed. Included herewith is an appendix including drawings according to the present invention using drafting techniques to comply with foreign practice and to provide support for foreign filing.

1 Claim, 6 Drawing Sheets



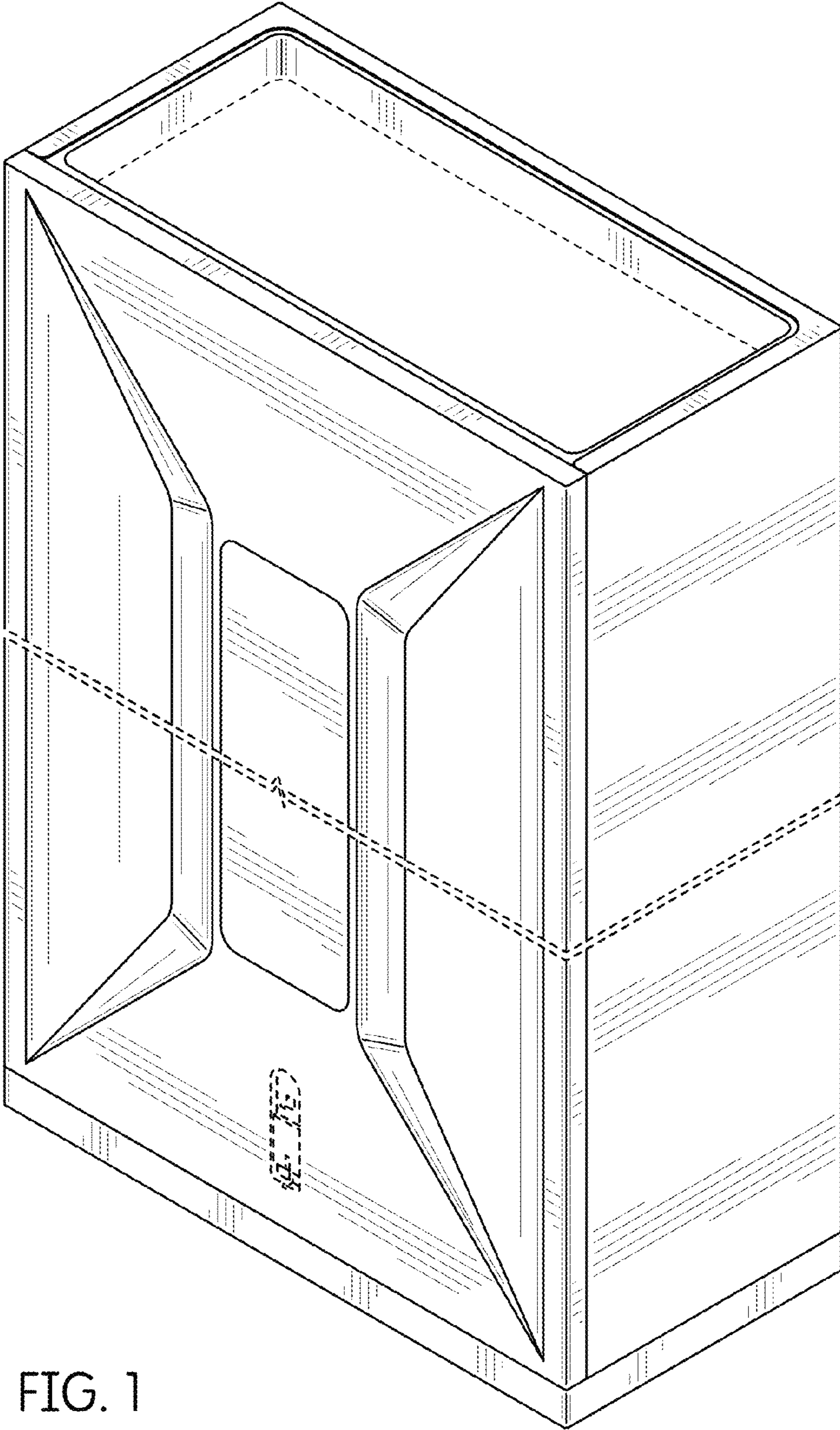


FIG. 1

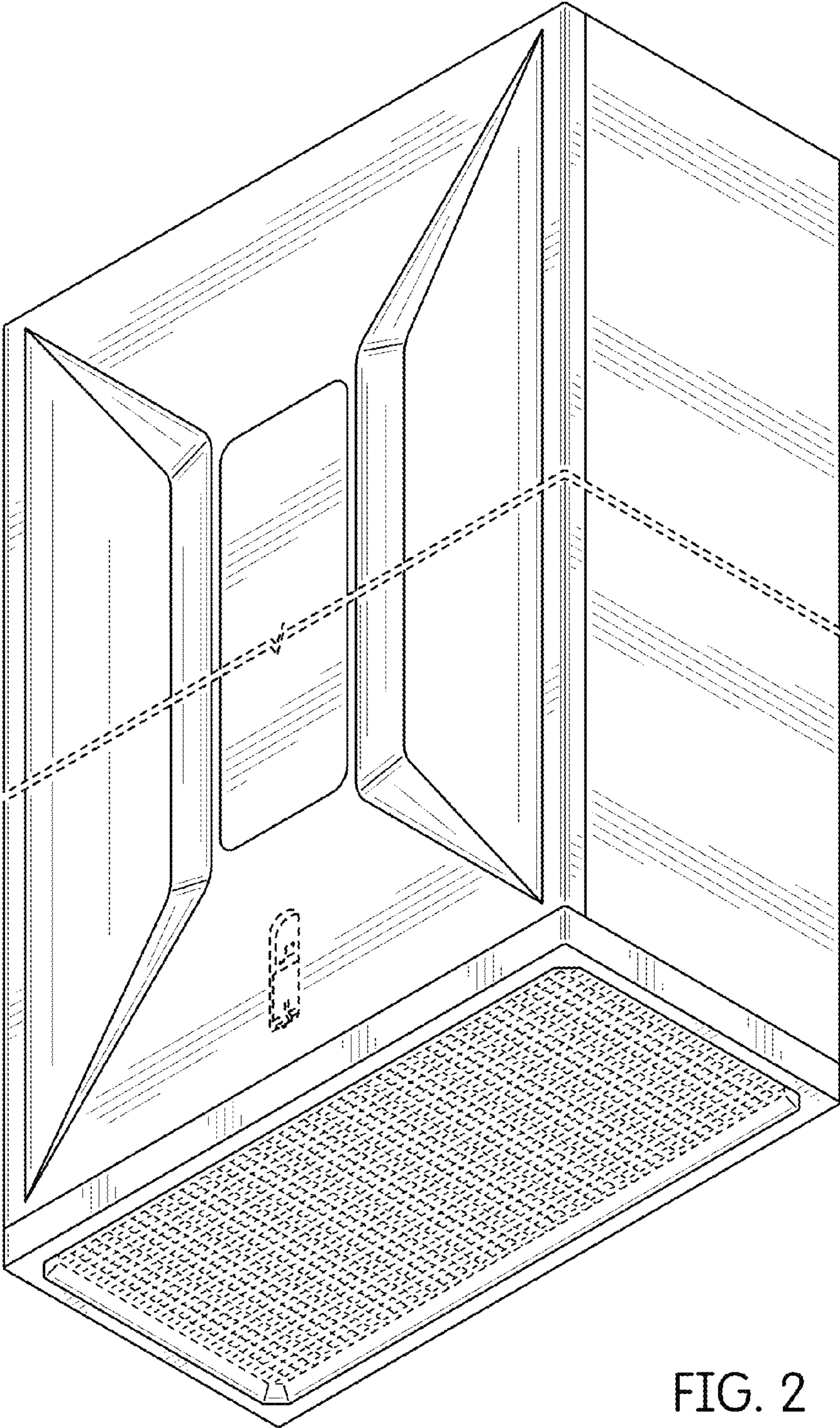


FIG. 2

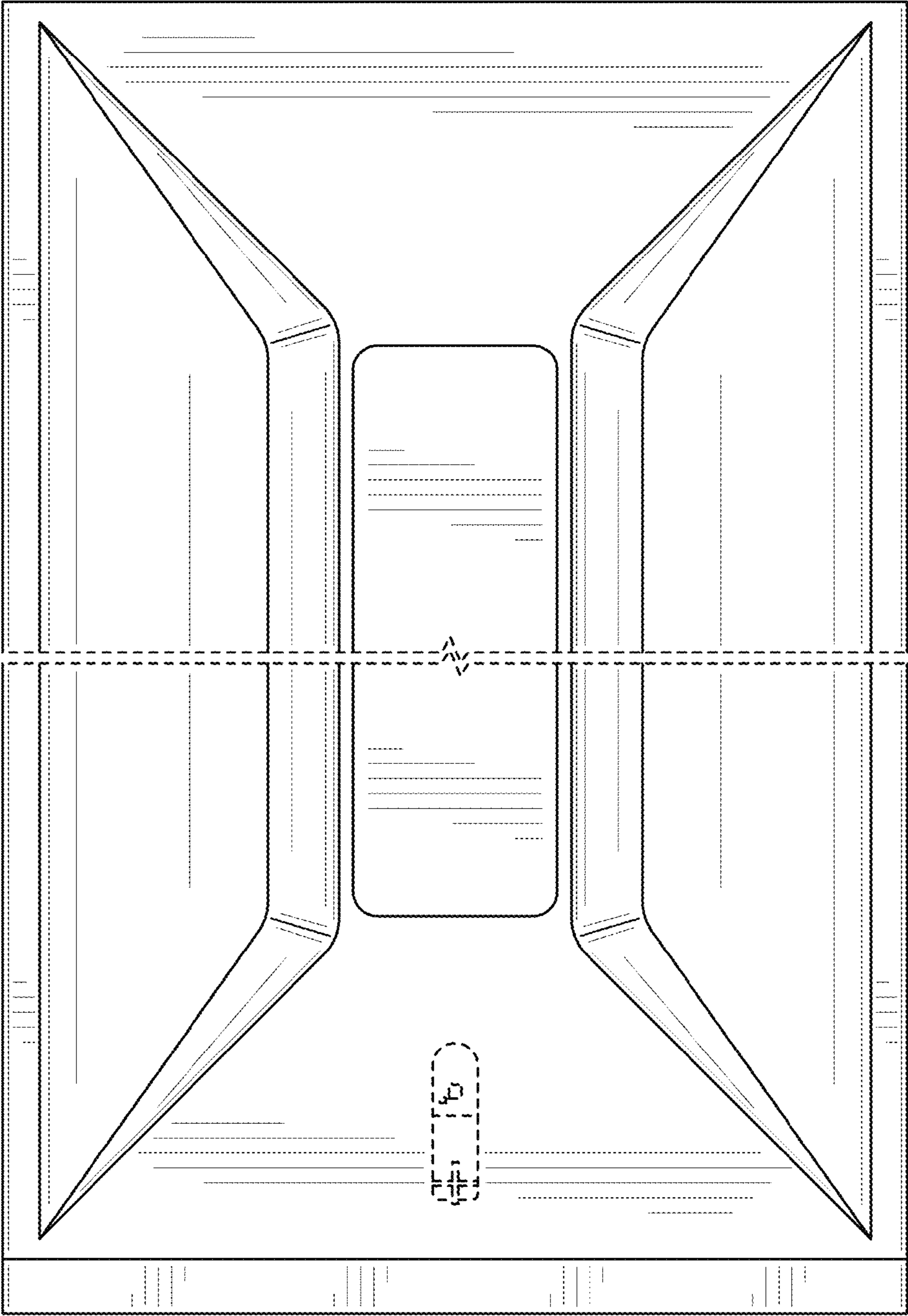


FIG. 3

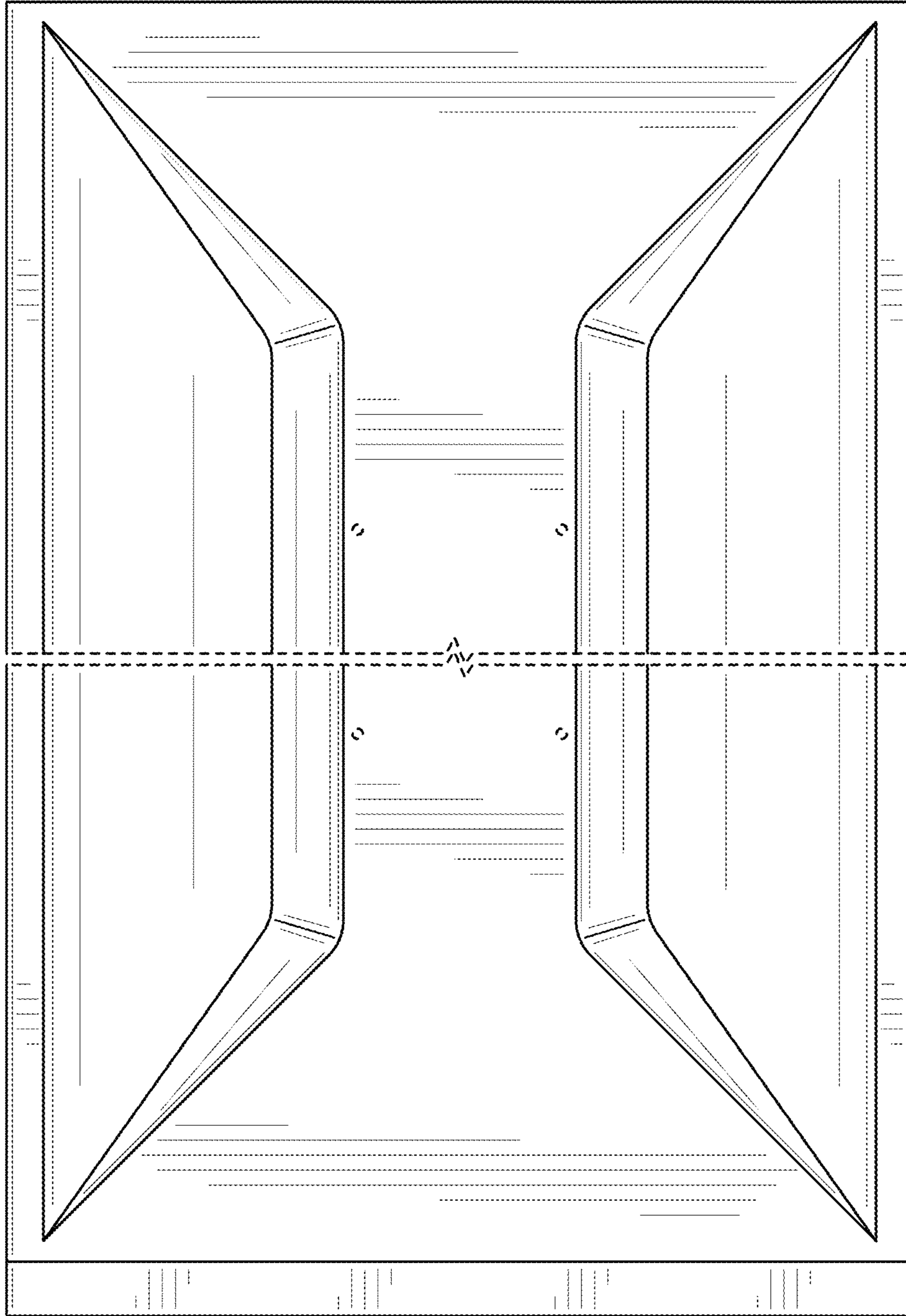


FIG. 4

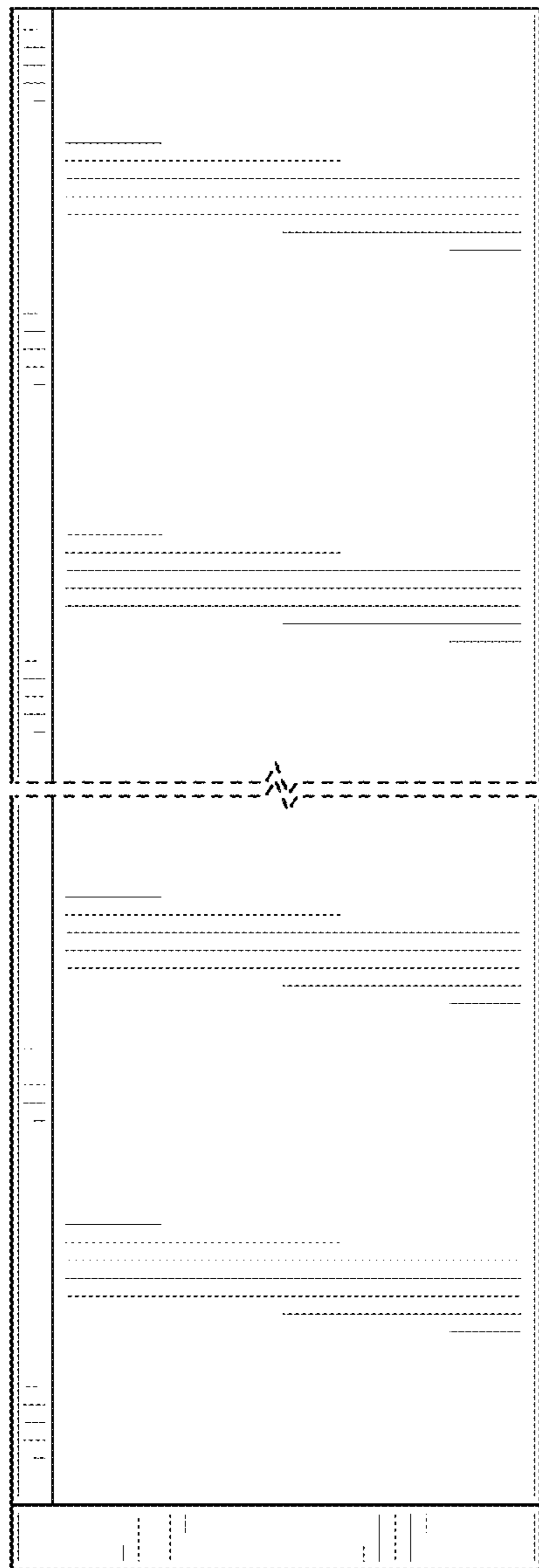


FIG. 5

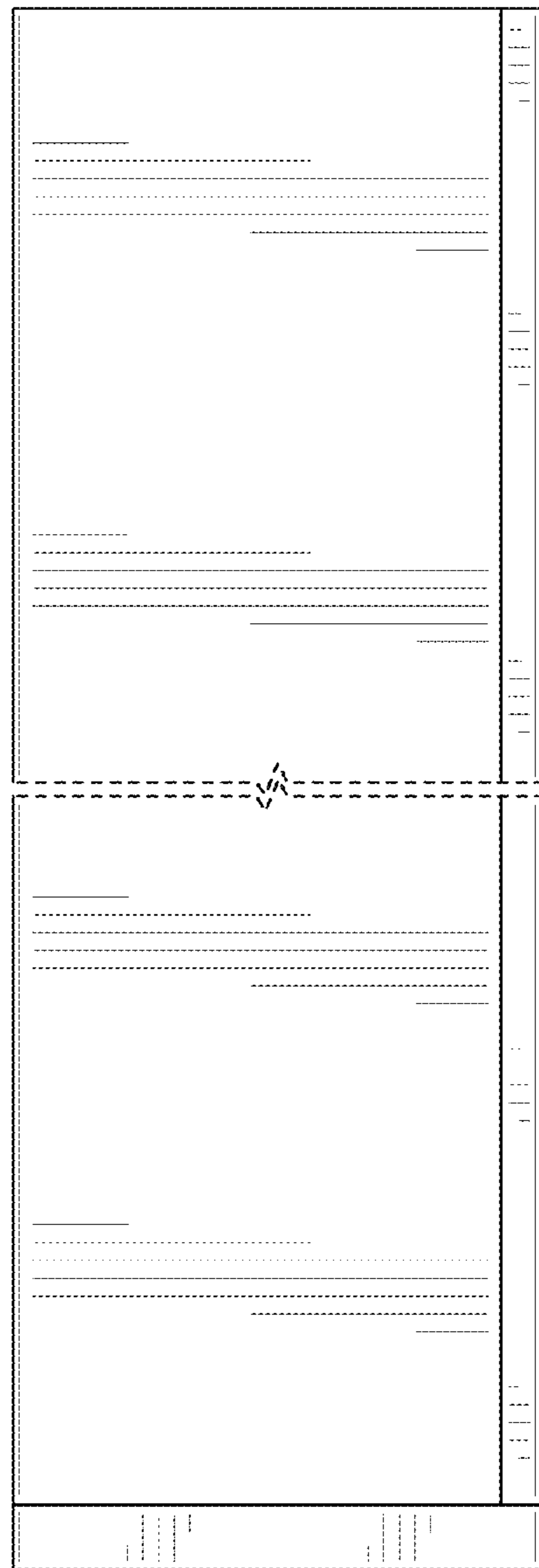


FIG. 6

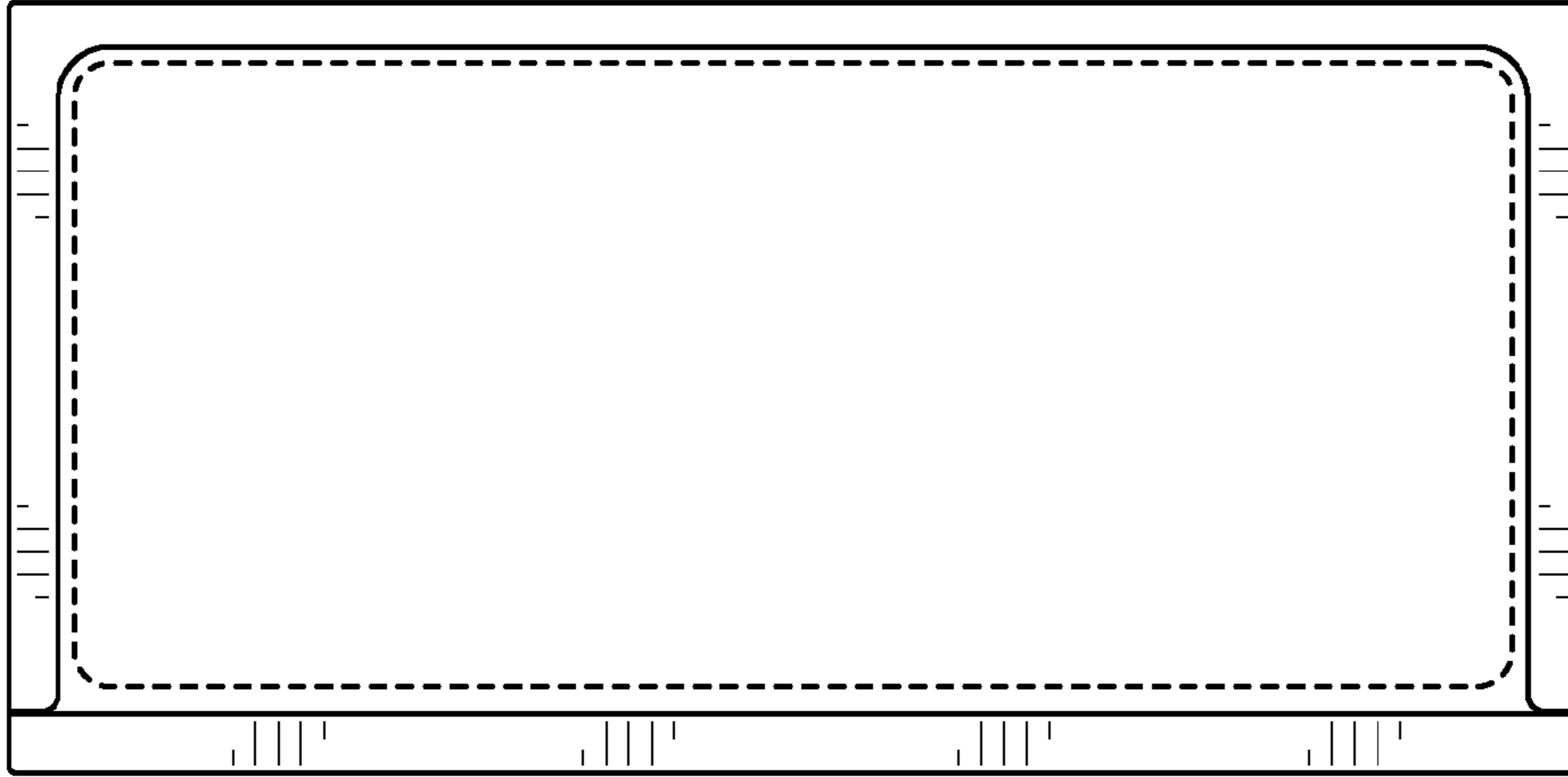


FIG. 7

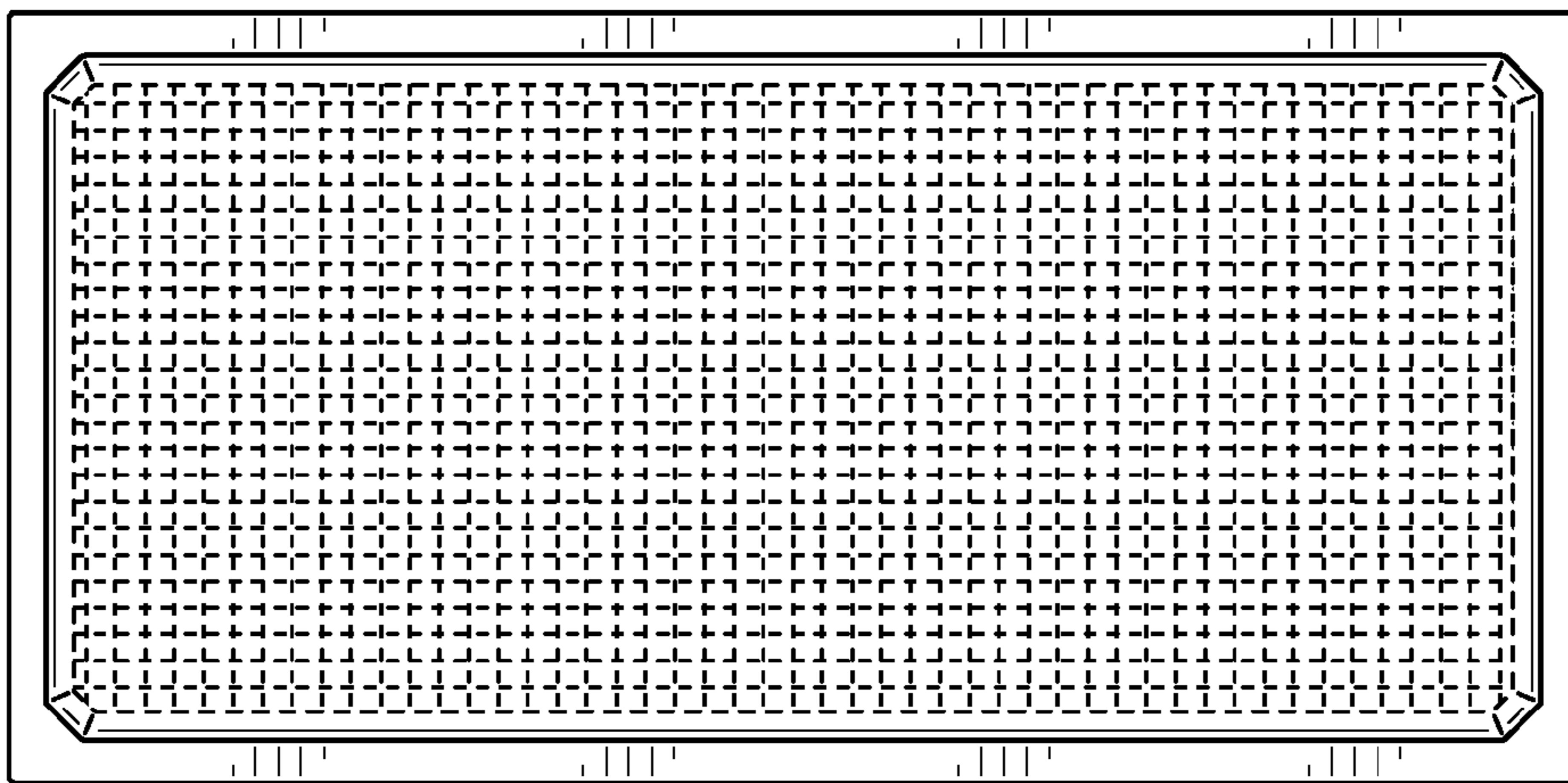


FIG. 8