



US00D732040S

(12) **United States Design Patent**
Chuang et al.

(10) **Patent No.:** **US D732,040 S**
(45) **Date of Patent:** **** Jun. 16, 2015**

(54) **TOUCH MODULE FOR AN ELECTRONIC DEVICE**

(71) Applicant: **HTC Corporation**, Taoyuan County (TW)
(72) Inventors: **I-Cheng Chuang**, Taoyuan County (TW); **Shih-Po Chien**, Taoyuan County (TW); **Yi-Ting Liu**, Taoyuan County (TW); **Chia-Hsiung Peng**, Taoyuan County (TW); **Chi-Jer Wang**, Taoyuan County (TW)
(73) Assignee: **HTC Corporation**, Taoyuan (TW)

(**) Term: **14 Years**

(21) Appl. No.: **29/444,345**

(22) Filed: **Jan. 29, 2013**

(51) **LOC (10) Cl.** **14-02**

(52) **U.S. Cl.**
USPC **D14/439**

(58) **Field of Classification Search**
USPC D14/439, 341-347, 424, 425, 432, 464, D14/468, 469, 471, 496, 511, 138 AA, D14/138 AD, 138 C, 138 G; 345/173, 158; 324/660; 361/679.1; 349/12
See application file for complete search history.

(56) **References Cited**

U.S. PATENT DOCUMENTS

7,977,953 B2 * 7/2011 Lee 324/660
D661,707 S 6/2012 Akana et al.

(Continued)

FOREIGN PATENT DOCUMENTS

TW 200813795 3/2008
TW 200909912 3/2009

(Continued)

OTHER PUBLICATIONS

“Office Action of Taiwan Counterpart Application”, issued on Nov. 24, 2014, p. 1-p. 13.

Primary Examiner — Austin Murphy

(74) *Attorney, Agent, or Firm* — Jianq Chyun IP Office

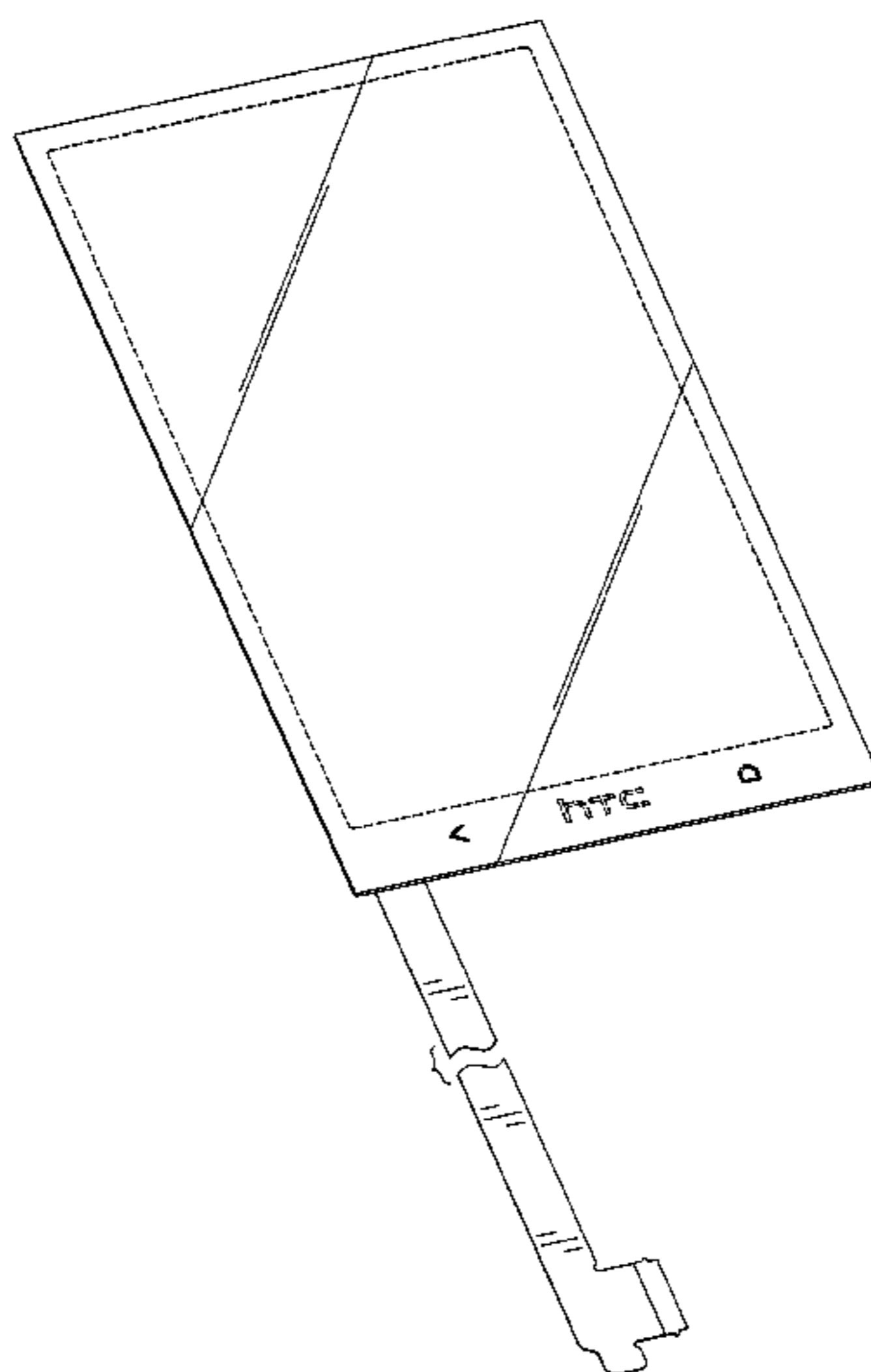
(57) **CLAIM**

The ornamental design for a touch module for an electronic device, as shown and described.

DESCRIPTION

FIG. 1 is a perspective view of a touch module for an electronic device showing a first embodiment of our new design; FIG. 2 is a front view of the first embodiment; FIG. 3 is a rear view of the first embodiment; FIG. 4 is a left side view of the first embodiment; FIG. 5 is a right side view of the first embodiment; FIG. 6 is a top view of the first embodiment; FIG. 7 is a bottom view of the first embodiment; FIG. 8 is an enlarged view of an indicated portion of FIG. 3; FIG. 9 is a perspective view of a touch module for an electronic device showing a second embodiment of our new design; FIG. 10 is a front view of the second embodiment; FIG. 11 is a rear view of the second embodiment; FIG. 12 is a left side view of the second embodiment; FIG. 13 is a right side view of the second embodiment; FIG. 14 is a top view of the second embodiment; FIG. 15 is a bottom view of the second embodiment; and, FIG. 16 is an enlarged view of an indicated portion of FIG. 11. The broken line portions of the touch module for an electronic device in FIGS. 1-3 and FIGS. 8-13, and FIGS. 15-16 represent unclaimed portions of the design and form no part thereof. The use of a separation and a bracket in FIGS. 1-5, indicate that the precise length of the touch module for the electronic device is not claimed.

1 Claim, 12 Drawing Sheets



(56)

References Cited

U.S. PATENT DOCUMENTS

8,356,133 B2* 1/2013 Zou 710/316
8,373,977 B2* 2/2013 Shao et al. 361/679.1
D678,288 S * 3/2013 Feldstein et al. D14/439
D697,511 S * 1/2014 Andre et al. D14/439
D701,208 S * 3/2014 Ai et al. D14/439
8,779,313 B2* 7/2014 Su 200/512
8,810,261 B2* 8/2014 Lee 324/660
8,810,540 B2* 8/2014 Lee et al. 345/173

2013/0271896 A1* 10/2013 Hu et al. 361/679.01
2014/0092564 A1* 4/2014 Chuang et al. 361/730
2014/0218629 A1* 8/2014 Chuang et al. 349/12

FOREIGN PATENT DOCUMENTS

TW 200921484 5/2009
TW 201109778 3/2011
TW M430021 5/2012

* cited by examiner

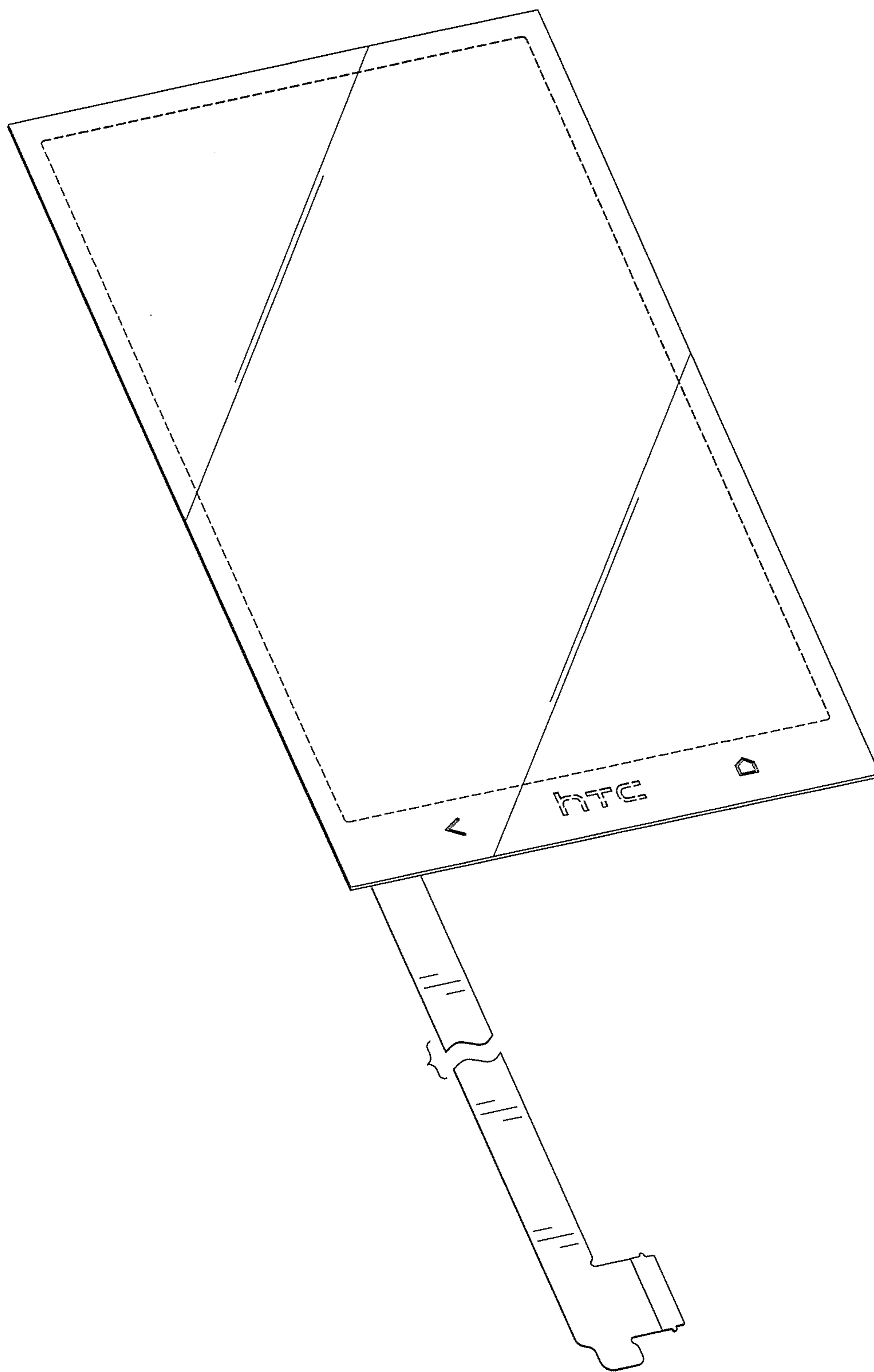


FIG. 1

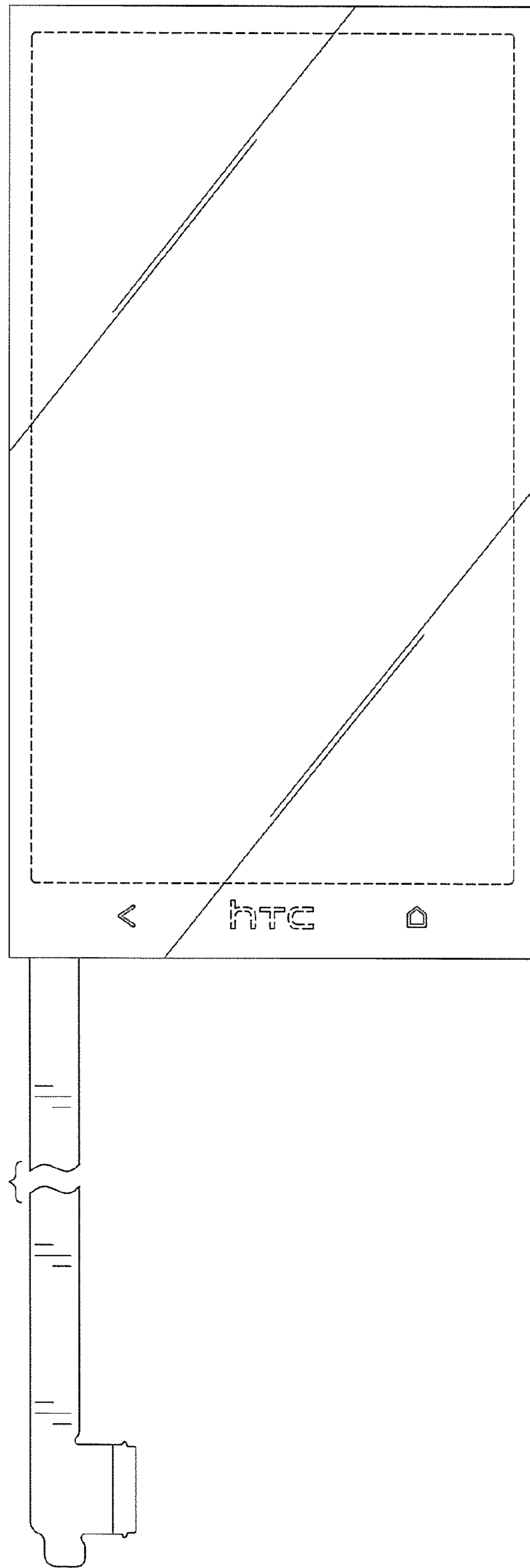


FIG. 2

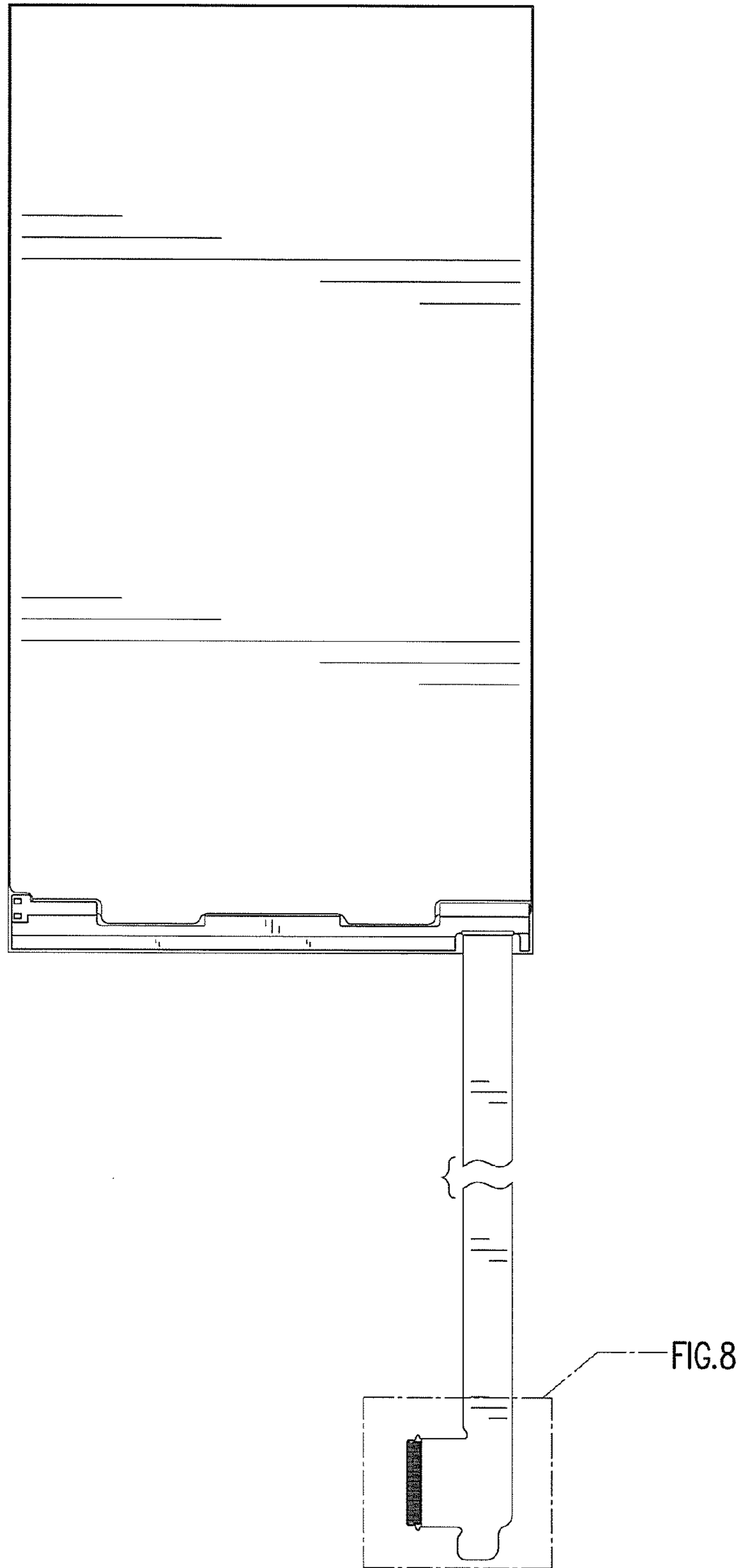


FIG. 3



FIG. 4



FIG. 5



FIG. 6

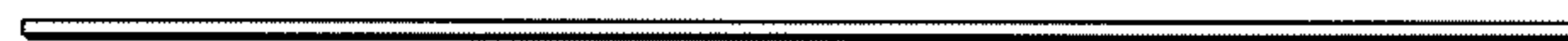


FIG. 7

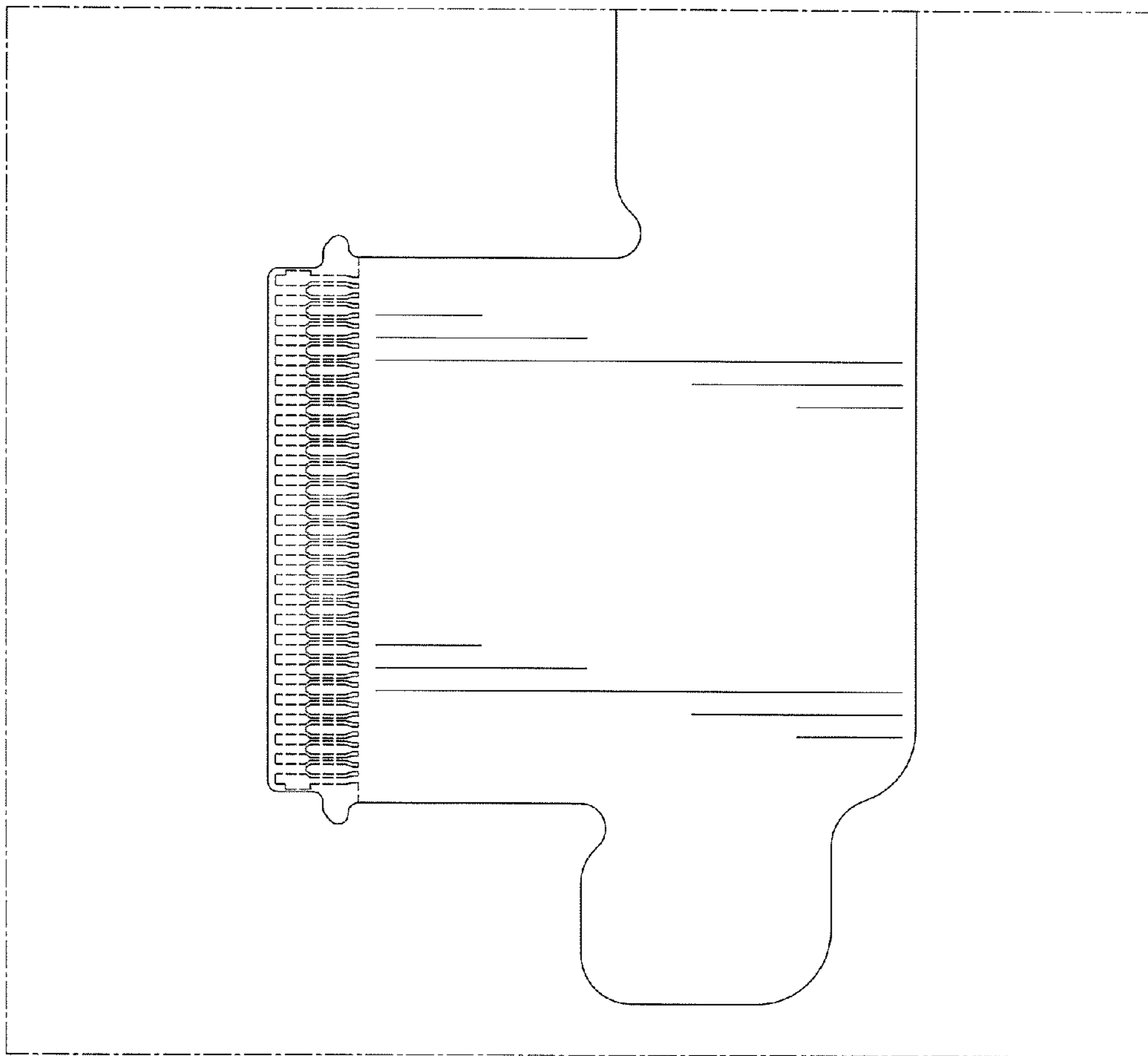


FIG. 8

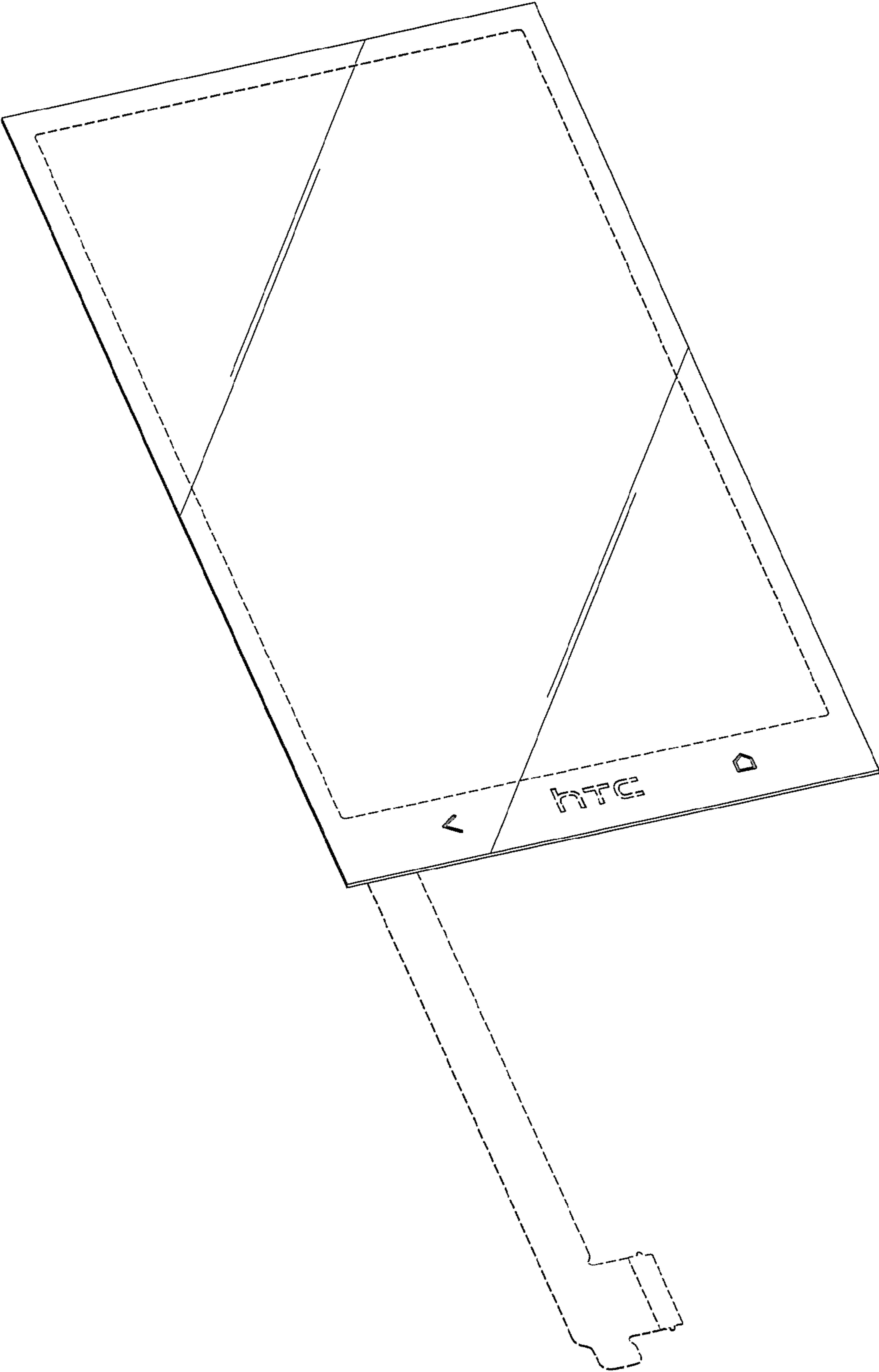


FIG. 9

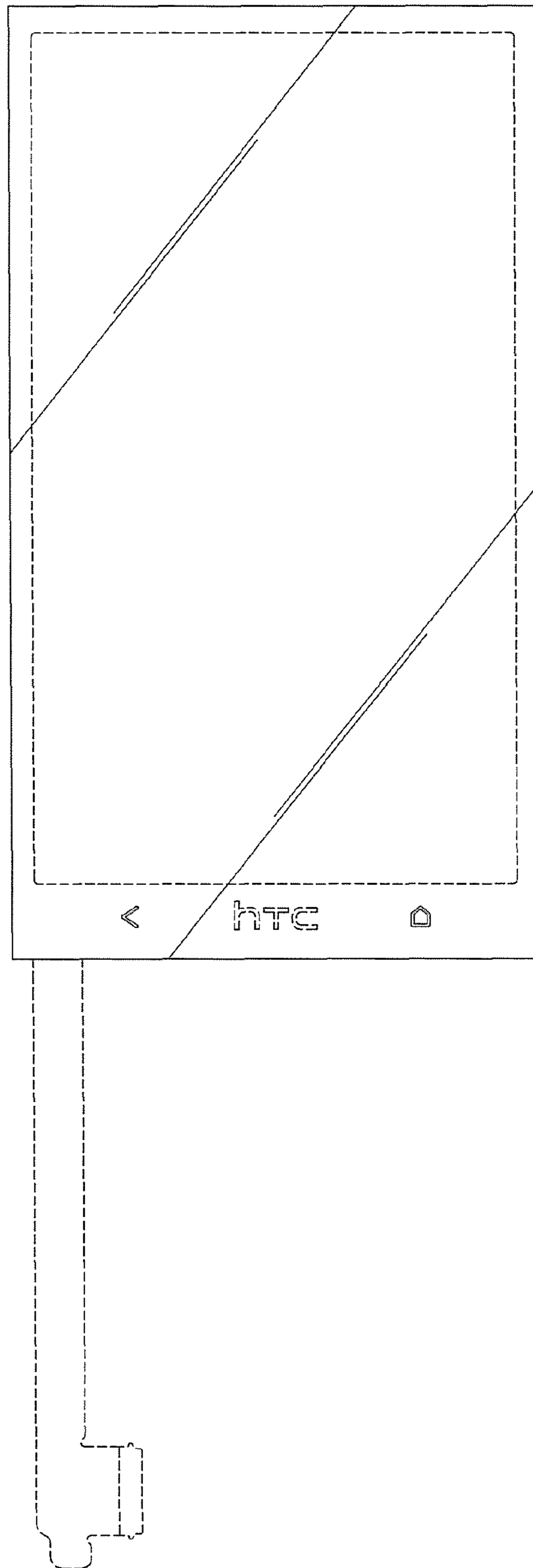


FIG. 10

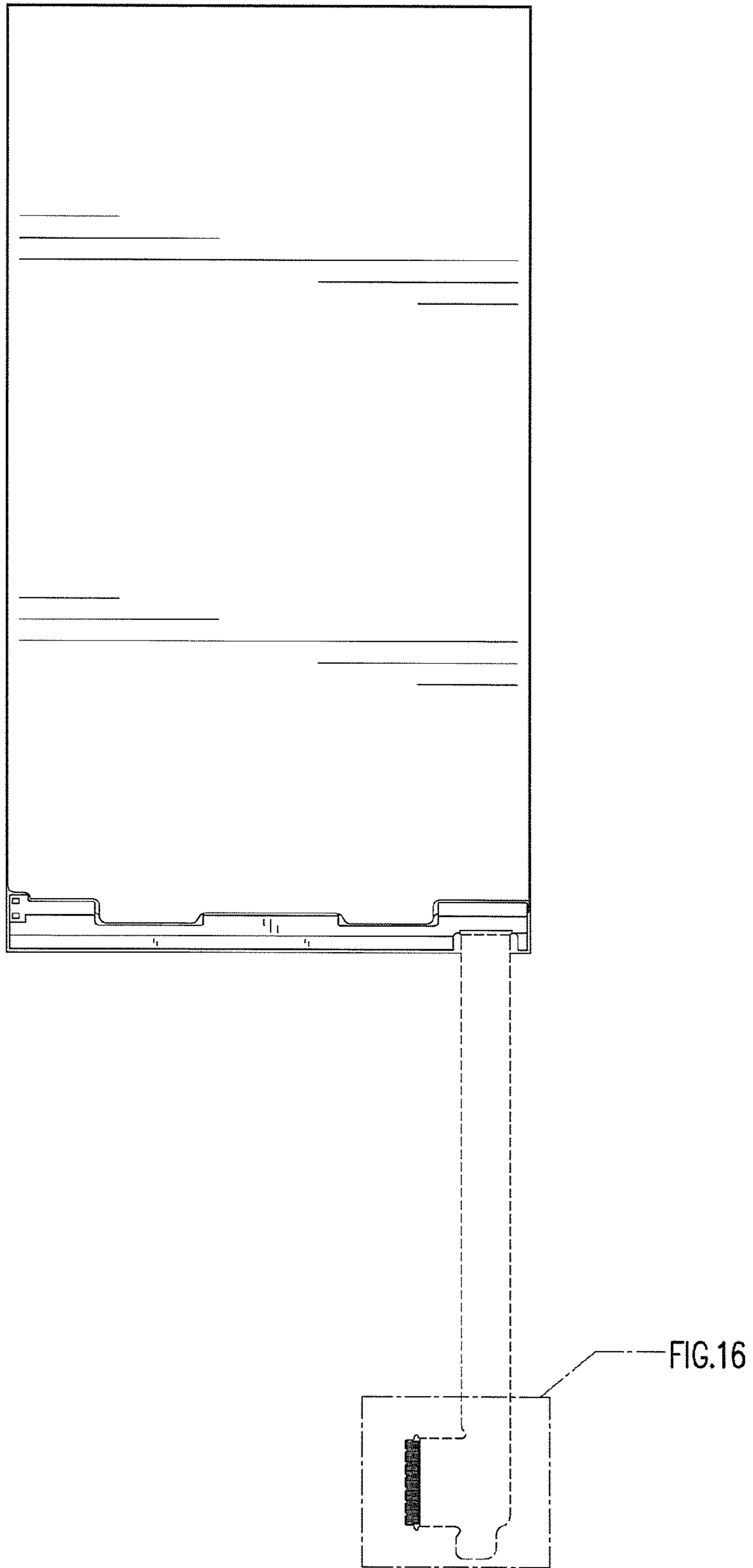


FIG. 11



FIG. 12

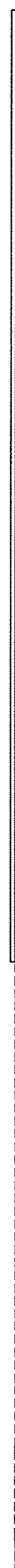


FIG. 13



FIG. 14



FIG. 15

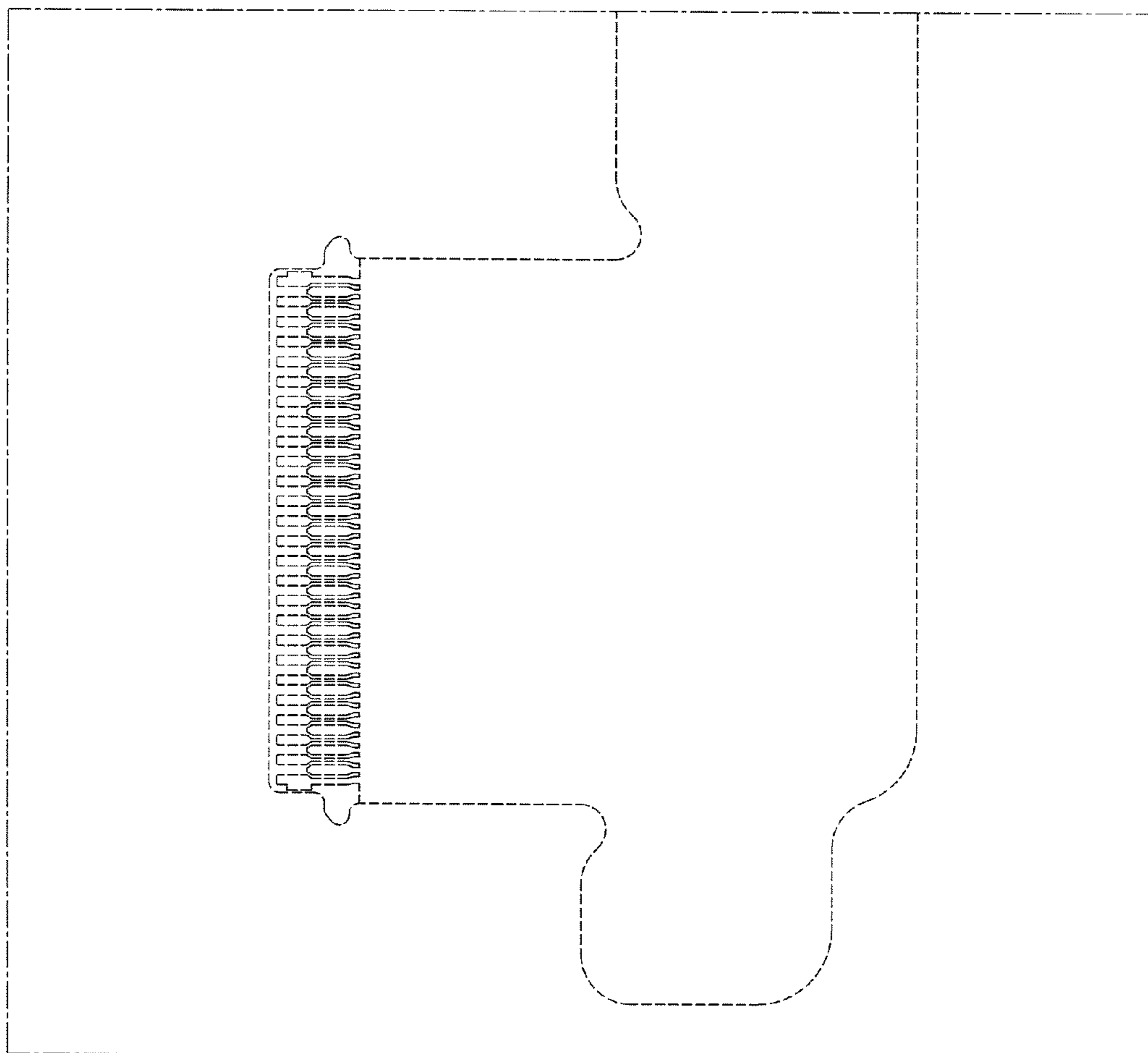


FIG. 16