

US00D732038S

(12) **United States Design Patent**  
**Schiller**

(10) **Patent No.:** **US D732,038 S**  
(45) **Date of Patent:** **\*\* Jun. 16, 2015**

(54) **MEMORY CARD COMPONENT**

(71) Applicant: **Pierce Schiller**, Cambridge, MA (US)

(72) Inventor: **Pierce Schiller**, Cambridge, MA (US)

(\*\*) Term: **14 Years**

(21) Appl. No.: **29/489,871**

(22) Filed: **May 4, 2014**

(51) **LOC (10) Cl.** ..... **14-02**

(52) **U.S. Cl.**  
USPC ..... **D14/436**

(58) **Field of Classification Search**

USPC ..... D14/435-438, 478-480; 235/441, 443, 235/487, 492, 493, 495; 361/737, 679, 752, 361/736, 728, 796, 797, 729, 730, 361/725-727; 257/678, 679, 693, E23.064; 439/946, 948, 159; 174/250, 260, 52.1, 174/52.2; 710/300-303; 438/121  
CPC ..... G06K 19/06196; G06K 19/072; G06K 19/0721; G06K 19/0722; G06K 19/0723; G06K 19/0724; G06K 19/0725; G06K 19/0726; G06K 19/0727; G06K 19/0728; G06K 19/073; G06K 19/07309; G06K 19/077; G06K 19/07701; G06K 19/07715; G06K 19/0772; G06K 19/07722; G06K 19/07724; G06K 19/07726; G06K 19/07728; G06K 19/0773; G06K 19/07735; G06K 19/07737; G06K 19/07739; G06K 19/07741; G06K 19/07743; G06K 19/07745; G06K 19/07747; G06K 19/07749; G06K 19/07758; G06K 19/07767; G06K 19/07769; G06K 19/07771; G06K 19/07773; G06K 19/07775; G06K 19/083; G06K 19/086; G06K 19/145; G06K 19/18; G06K 2215/0022; G06K 2215/0025; G06K 2215/0028; G06K 2215/0031; G06K 2215/004; G06K 2215/0082; G06F 21/86; G06F 21/87; G06F 21/77-21/80; G06F 21/85-21/88; G06F 21/00; G06Q 20/3229; G06Q 20/34; G06Q 20/341; G06Q 20/346; G06Q 20/349; G06Q 20/3563; G06Q 20/3567; G06Q 20/357; G06Q 20/3576; H05K 5/026;

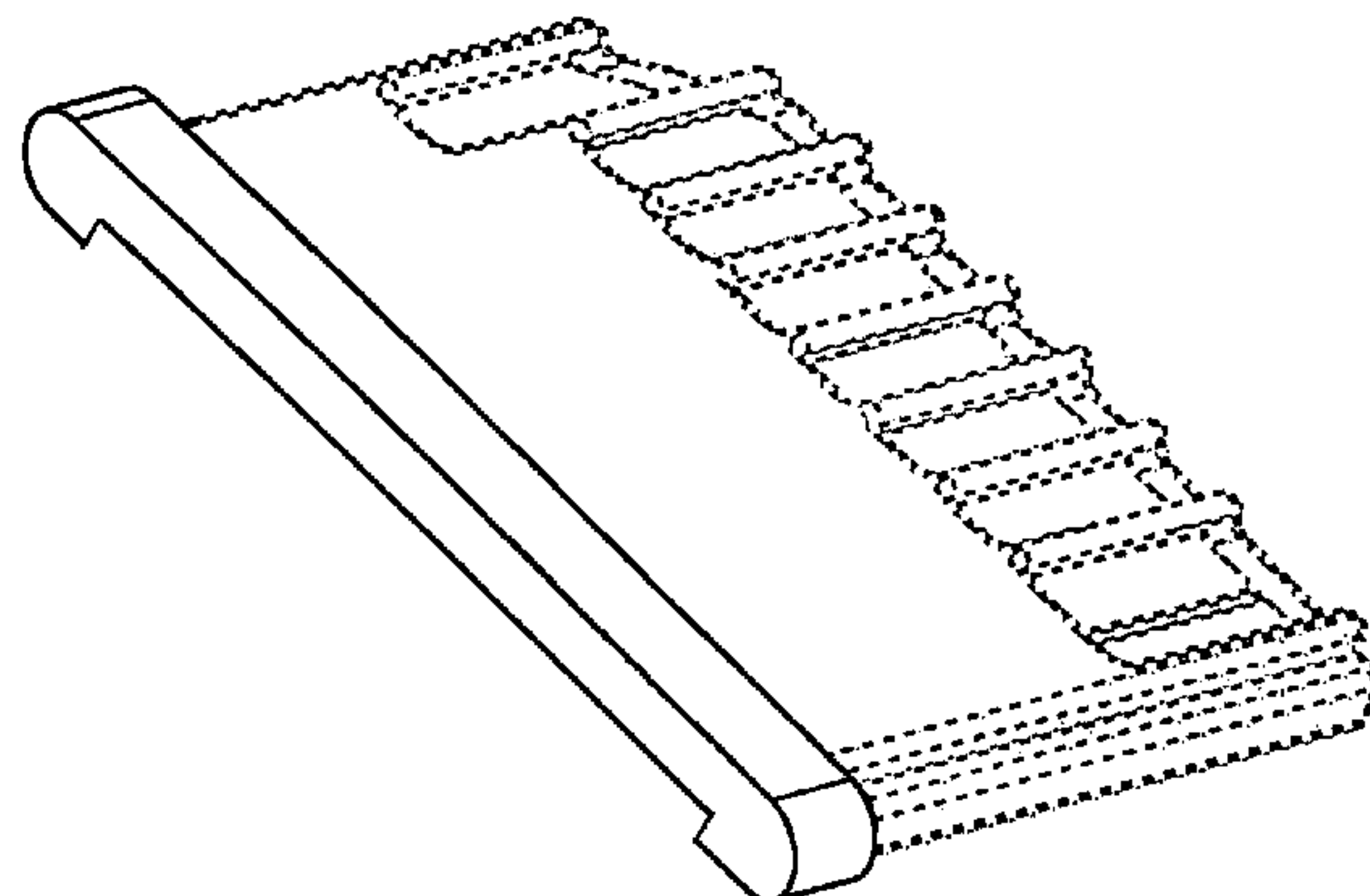
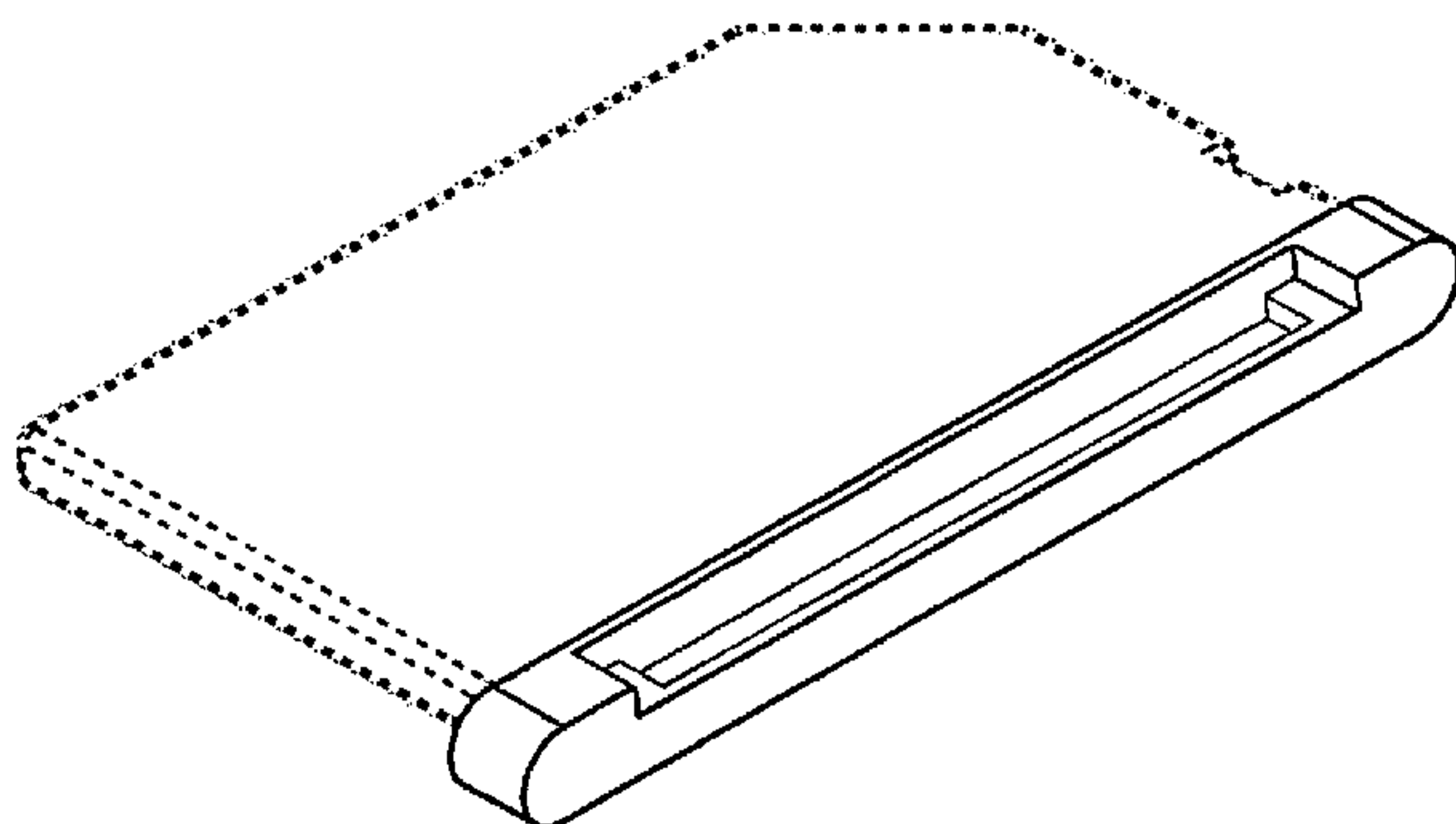
H05K 5/0256; H05K 5/0265; H05K 5/0269; H05K 5/0273; H05K 5/0278; H05K 5/0282; H05K 5/0286; H05K 5/0291; H05K 5/0295; H05K 5/03; H05K 5/04; H05K 5/06; H05K 5/061; H05K 5/062; H05K 5/063; H05K 5/064; H05K 5/065; H05K 5/066; H05K 5/067; H05K 5/068; H05K 5/069; H05K 7/00; H05K 7/005; H05K 7/02; H05K 7/023; H05K 7/026; H05K 7/04; H05K 7/10; H05K 7/1418; H05K 7/142; H05K 7/1424; H05K 7/1427-7/1439; H05K 7/1461; H05K 7/1464-7/1474; H05K 7/1479; H05K 7/1481; H05K 7/1485-7/1488; H05K 2201/09745; H05K 2201/09754; H05K 2201/096763; H05K 2201/09772; H05K 2201/098; H05K 2201/09818; H05K 2201/10; H05K 2201/10007; H05K 2201/10098; H05K 2201/10143; H05K 2201/10159; H05K 2201/10174; H05K 2201/10212; H05K 2201/1028; H05K 2201/1031; H05K 2201/10431; H05K 2201/10446; H05K 2201/10462; H05K 2201/10545; H05K 2201/10553; H05K 2201/1056; H05K 2201/10621; H05K 2201/10636; H05K 2203/05; H05K 3/368; H05K 3/3436; H05K 3/36; H05K 3/40; H05K 3/4007; H05K 3/4015; H05K 3/403; H05K 3/4053; H05K 3/4092; H05K 3/42; H05K 3/421; H05K 3/46; H05K 1/14; H05K 1/141; H05K 1/142; H05K 1/144; H05K 1/145; H05K 1/182; H04N 2201/216

See application file for complete search history.

(56) **References Cited**

**U.S. PATENT DOCUMENTS**

D315,902 S \* 4/1991 Nakauma ..... D14/435  
D365,556 S \* 12/1995 Inoue et al. .... D14/435  
D382,868 S \* 8/1997 Ashida ..... D14/435  
D410,916 S \* 6/1999 Oba ..... D14/432  
D417,212 S \* 11/1999 Oba ..... D14/435  
D421,856 S \* 3/2000 Kirihara et al. .... D6/407  
D434,042 S \* 11/2000 Yasufuku et al. .... D14/436  
6,574,111 B1 \* 6/2003 Gyenes et al. .... 361/742  
6,858,925 B2 \* 2/2005 Wada et al. .... 257/679



6,970,359	B2 *	11/2005	Gochmour et al. ....	361/737
6,979,227	B2 *	12/2005	Ikeda .....	439/630
D531,181	S *	10/2006	Cuellar et al. ....	D14/436
D542,797	S *	5/2007	Cuellar et al. ....	D14/436
D552,612	S *	10/2007	Nishizawa et al. ....	D14/436
D556,202	S *	11/2007	Kadonaga .....	D14/436
7,320,622	B2 *	1/2008	Ying et al. ....	439/630
7,357,677	B2 *	4/2008	Liu .....	439/630
7,371,119	B1 *	5/2008	Lee .....	439/630
7,410,376	B2 *	8/2008	Ying et al. ....	439/159
D581,932	S *	12/2008	Nishizawa et al. ....	D14/436
D604,738	S *	11/2009	Matsumoto et al. ....	D14/436
8,102,658	B2 *	1/2012	Hiew et al. ....	361/737
D688,668	S *	8/2013	Ben-Gad et al. ....	D14/436
D700,183	S *	2/2014	Ridyard .....	D14/436
D704,192	S *	5/2014	Ridyard .....	D14/436
2007/0263365	A1 *	11/2007	Yamada et al. ....	361/737
2008/0030963	A1 *	2/2008	Middlekauff et al. ....	361/737
2008/0112123	A1 *	5/2008	Liu et al. ....	361/684
2008/0225498	A1 *	9/2008	Osako et al. ....	361/737
2010/0232118	A1 *	9/2010	Tochi et al. ....	361/737
2013/0250525	A1 *	9/2013	Wang .....	361/737
2013/0258576	A1 *	10/2013	Ben-Gad et al. ....	361/679.32
2014/0002997	A1 *	1/2014	Hoang .....	361/715

\* cited by examiner

Primary Examiner — Susan Moon Lee

(57) **CLAIM**

I claim the ornamental design for a memory card component, as shown and described.

**DESCRIPTION**

FIG. 1 is a top plan view of my new design in accordance with the present invention;  
 FIG. 2 is a front view thereof;  
 FIG. 3 is a top perspective view thereof;  
 FIG. 4 is a bottom view thereof;  
 FIG. 5 is a side view thereof;  
 FIG. 6 is an opposite side view thereof; and,  
 FIG. 7 is a bottom perspective view thereof.  
 Broken lines and portions entirely contained within broken lines are not claimed.

**1 Claim, 7 Drawing Sheets**

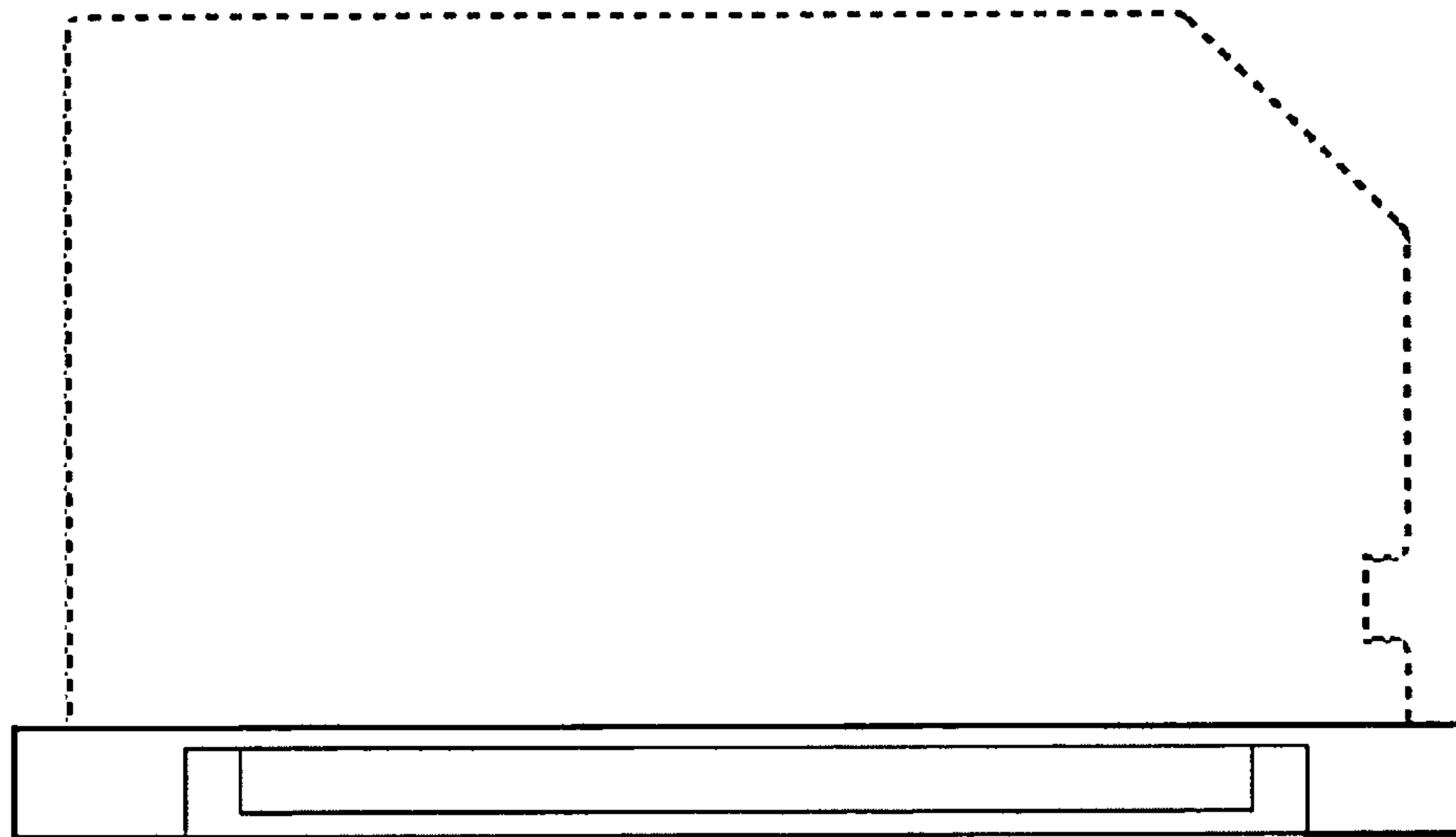


Fig. 1

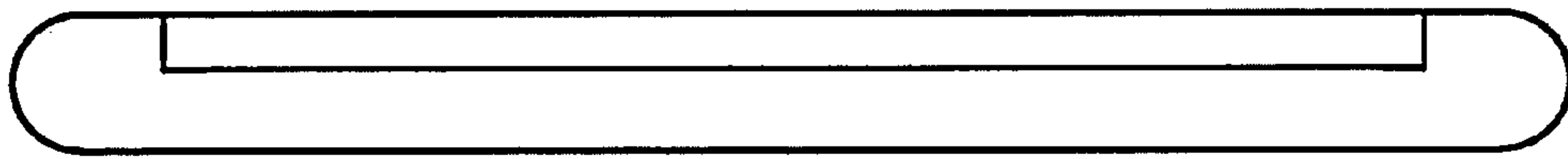


Fig. 2

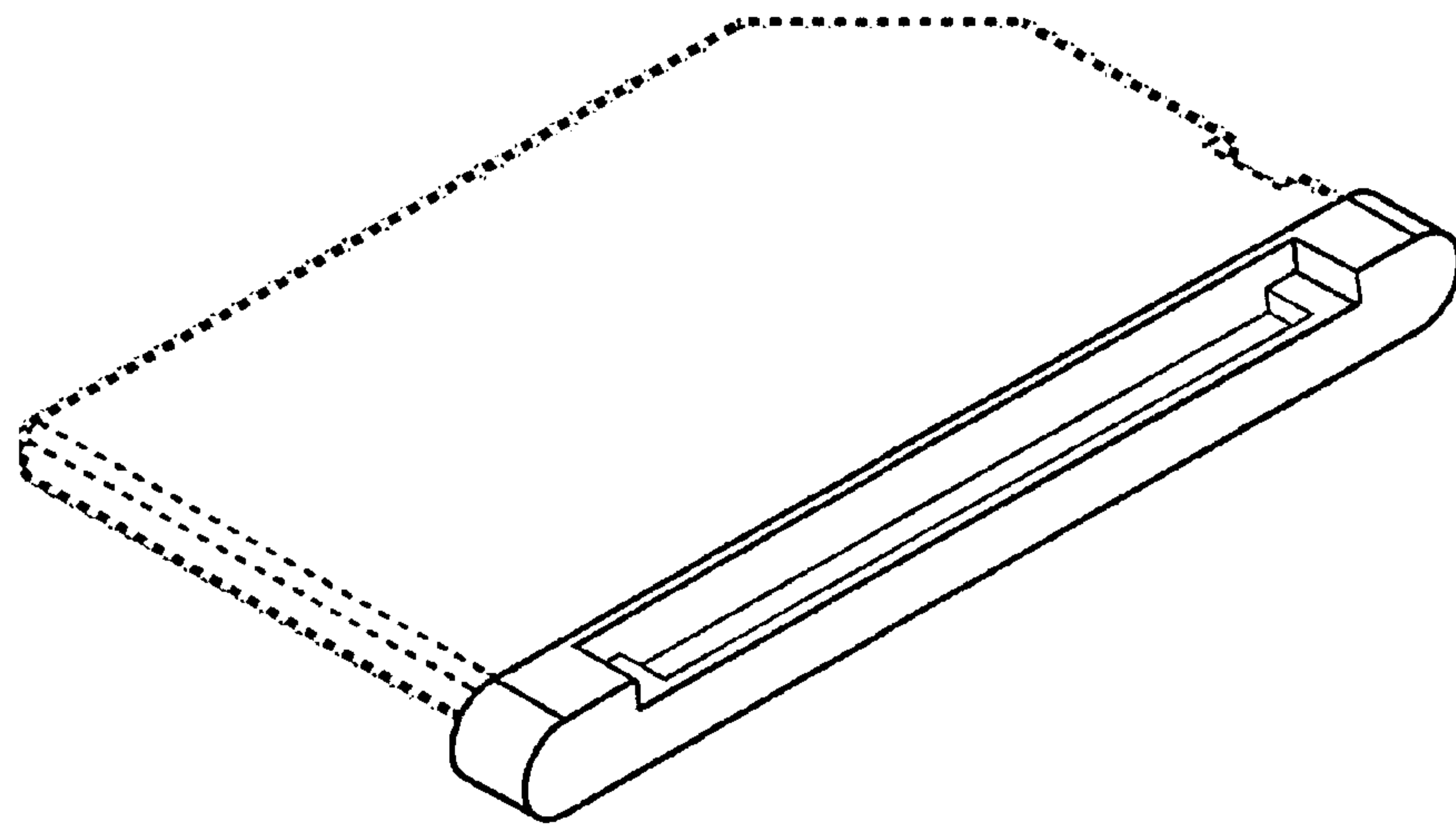


Fig. 3

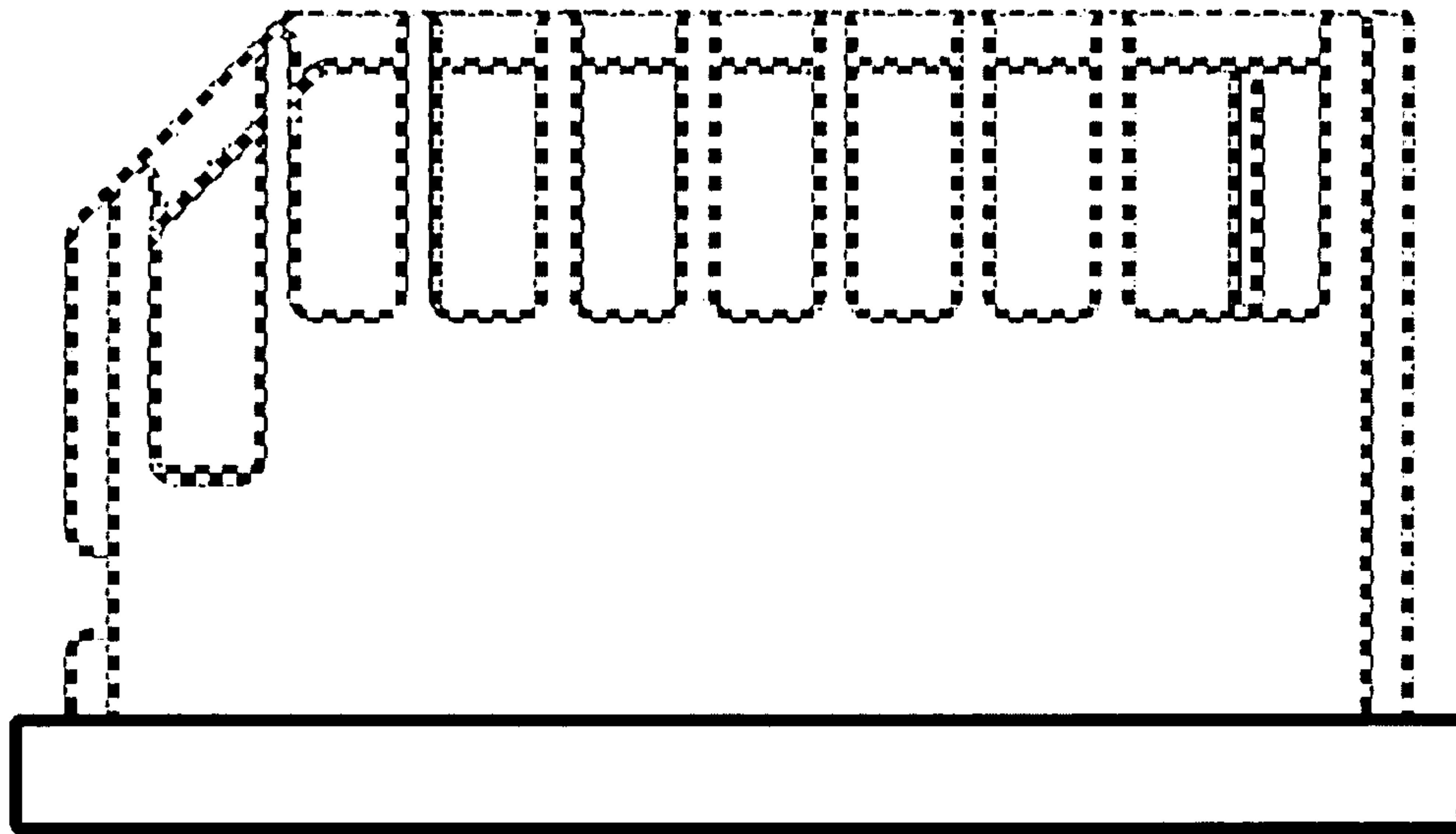


Fig. 4





Fig. 5

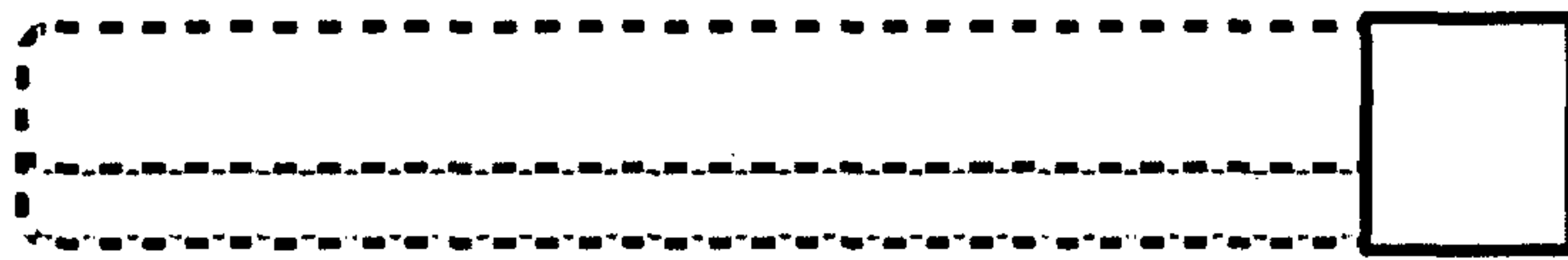


Fig. 6



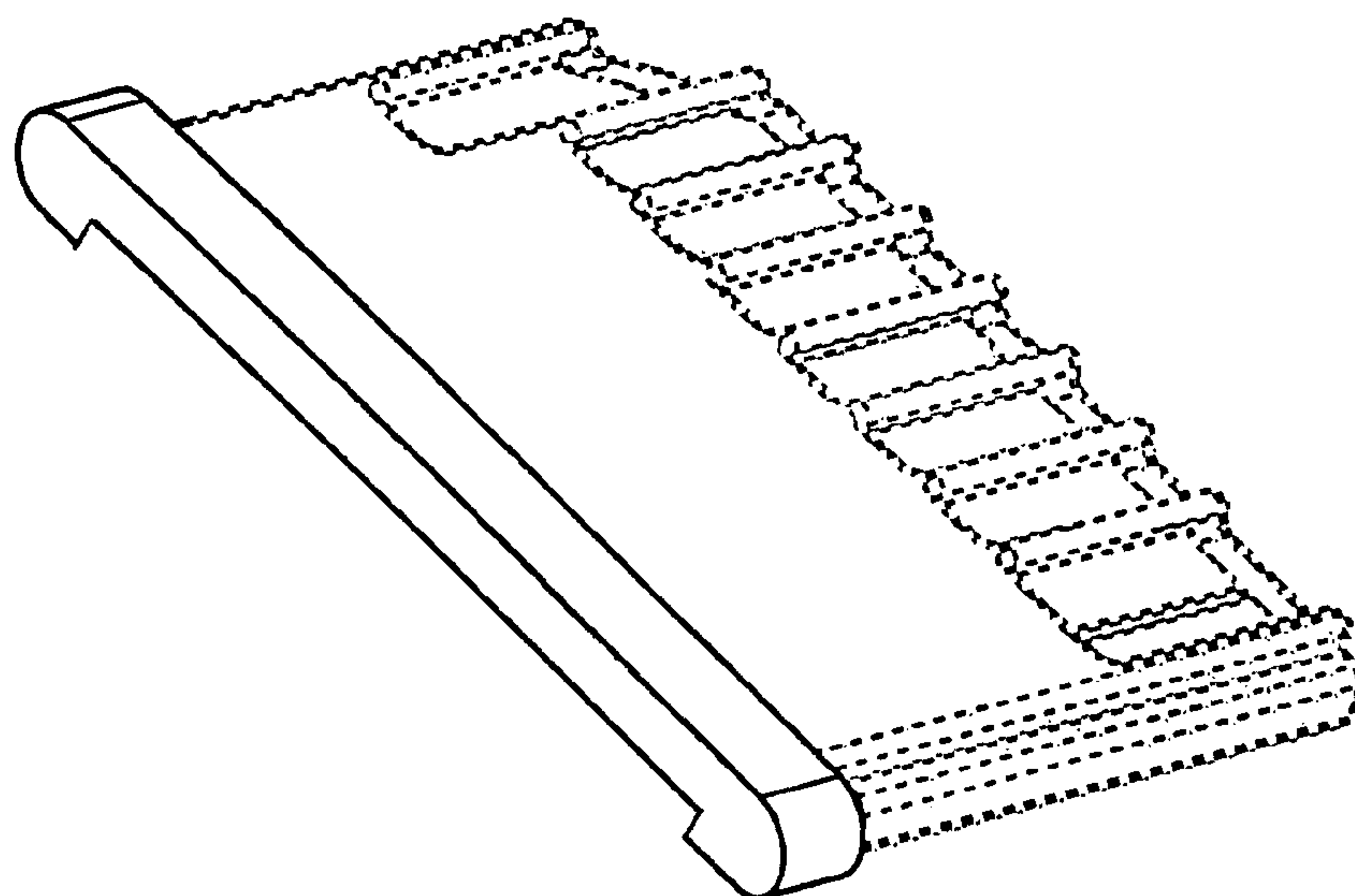


Fig. 7