

US00D732037S

(12) **United States Design Patent**  
**Wylie**

(10) **Patent No.:** **US D732,037 S**  
(45) **Date of Patent:** **\*\* Jun. 16, 2015**

(54) **DOCKING STATION FOR A TABLET DEVICE**

(71) Applicant: **Mobile Technologies, Inc.**, Hillsboro, OR (US)

(72) Inventor: **Hunter Wylie**, Hillsboro, OR (US)

(73) Assignee: **Mobile Tech, Inc.**, Lake Oswego, OR (US)

(\*\*) Term: **14 Years**

(21) Appl. No.: **29/475,322**

(22) Filed: **Dec. 2, 2013**

(51) **LOC (10) Cl.** ..... **14-02**

(52) **U.S. Cl.**  
USPC ..... **D14/434**

(58) **Field of Classification Search**  
USPC ..... D14/217, 432, 434; D8/373; D13/107, D13/108, 146; 248/176.1; 320/109, 320/112-115; 361/679.4, 679.31-679.33, 361/679.41, 679.43, 679.55; 455/557; 710/15, 303

See application file for complete search history.

(56) **References Cited**

**U.S. PATENT DOCUMENTS**

5,751,548	A *	5/1998	Hall et al.	.....	361/679.41
D508,916	S *	8/2005	Lee	.....	D14/447
6,952,343	B2 *	10/2005	Sato	.....	361/679.57
7,068,496	B2 *	6/2006	Wong et al.	.....	361/679.28
7,515,408	B2 *	4/2009	Bakker et al.	.....	361/679.33
7,684,185	B2 *	3/2010	Farrugia	.....	361/679.41
D636,778	S *	4/2011	Corsini et al.	.....	D14/434
D640,247	S *	6/2011	Baumann et al.	.....	D14/253
8,282,060	B2 *	10/2012	Fan	.....	248/291.1
D682,281	S *	5/2013	Barnard et al.	.....	D14/447
2012/0155004	A1 *	6/2012	Yukawa et al.	.....	361/679.21
2012/0175474	A1 *	7/2012	Barnard et al.	.....	248/122.1

\* cited by examiner

*Primary Examiner* — Freda S Nunn

(74) *Attorney, Agent, or Firm* — Bruce A. Kaser

(57) **CLAIM**

The ornamental design for a docking station for a tablet device, as shown and described.

**DESCRIPTION**

FIG. 1 is a perspective view of a docking station for a tablet device showing, in dashed lines, the unclaimed outline of a tablet device held within a frame portion of the claimed docking station;

FIG. 2 is a perspective view thereof, looking from an orientation that is approximately 90 degrees clockwise from the perspective shown in FIG. 1;

FIG. 3 is a perspective view thereof, looking from an orientation that is approximately 90 degrees counterclockwise from the perspective shown in FIG. 1;

FIG. 4 is a perspective view thereof, looking from an orientation that is approximately 180 degrees counterclockwise from the perspective shown in FIG. 1;

FIG. 5 is a perspective view of a docking station for a tablet device showing, in dashed lines, the unclaimed outline of a tablet device held within a frame portion of the claimed docking station;

FIG. 6 is a front view thereof;

FIG. 7 is a side view thereof, looking at the left-hand side of the design;

FIG. 8 is a side view thereof, looking at the right-hand side of the design;

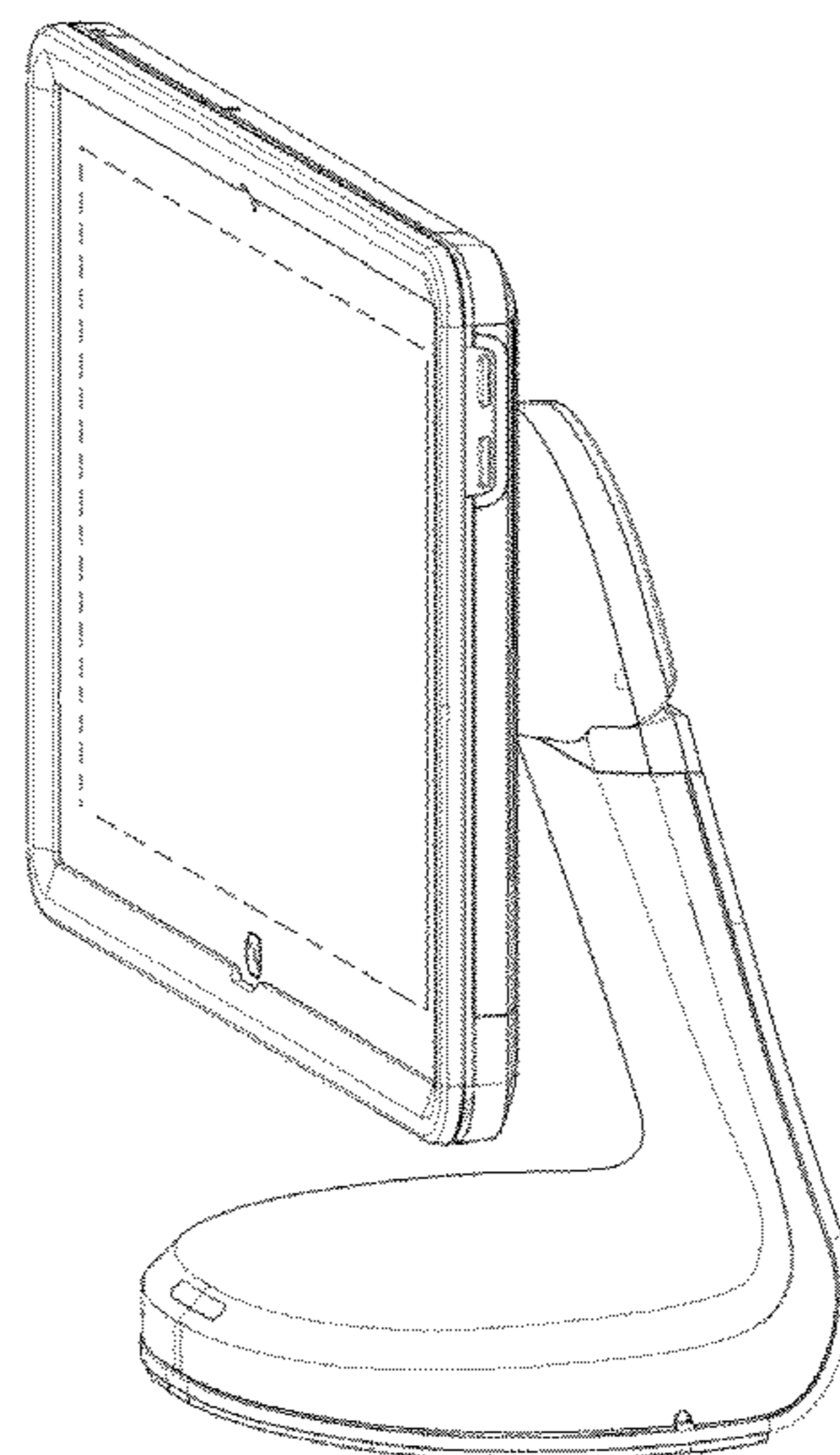
FIG. 9 is a top view thereof;

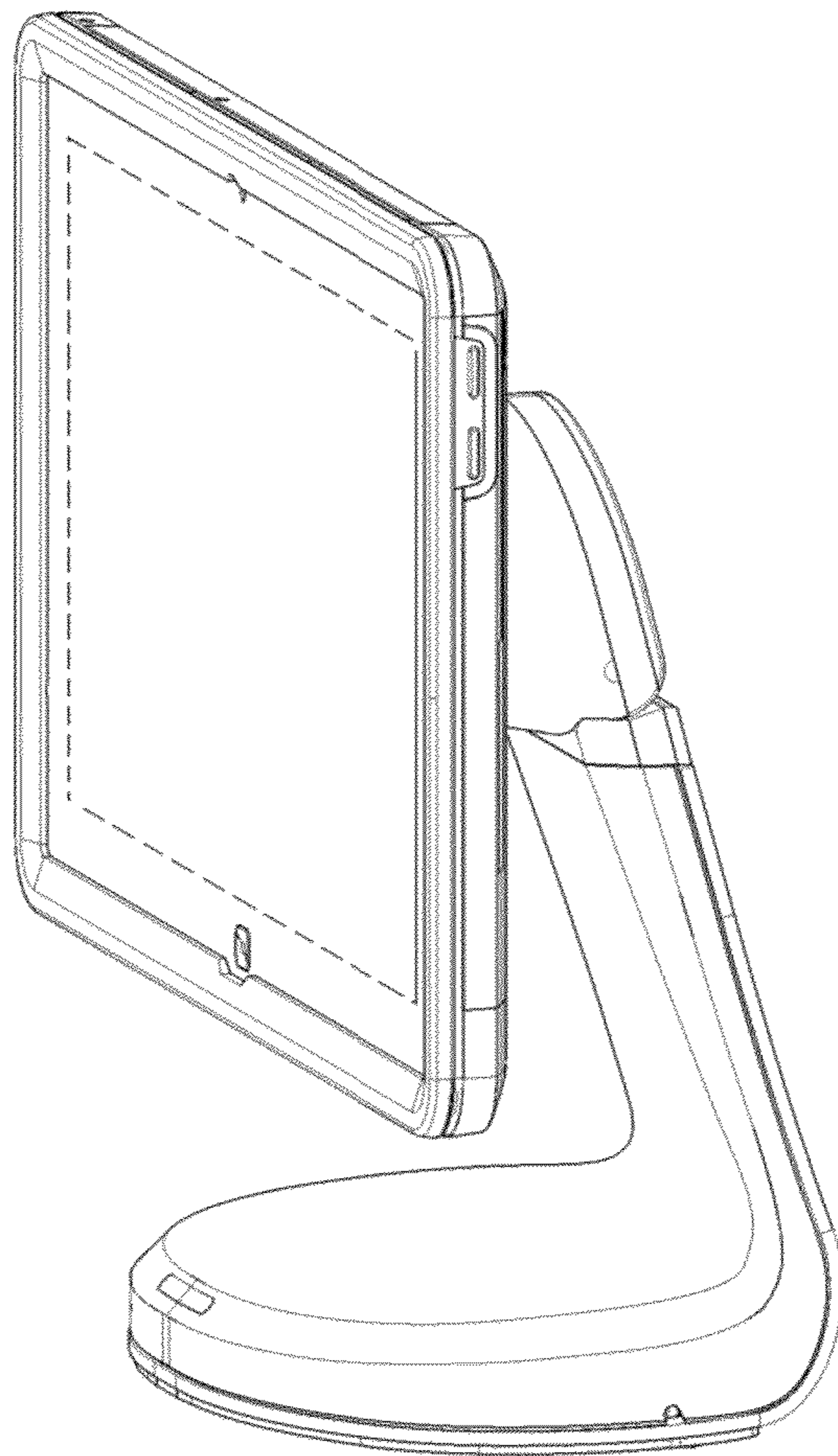
FIG. 10 is a bottom view thereof; and,

FIG. 11 is a back view thereof.

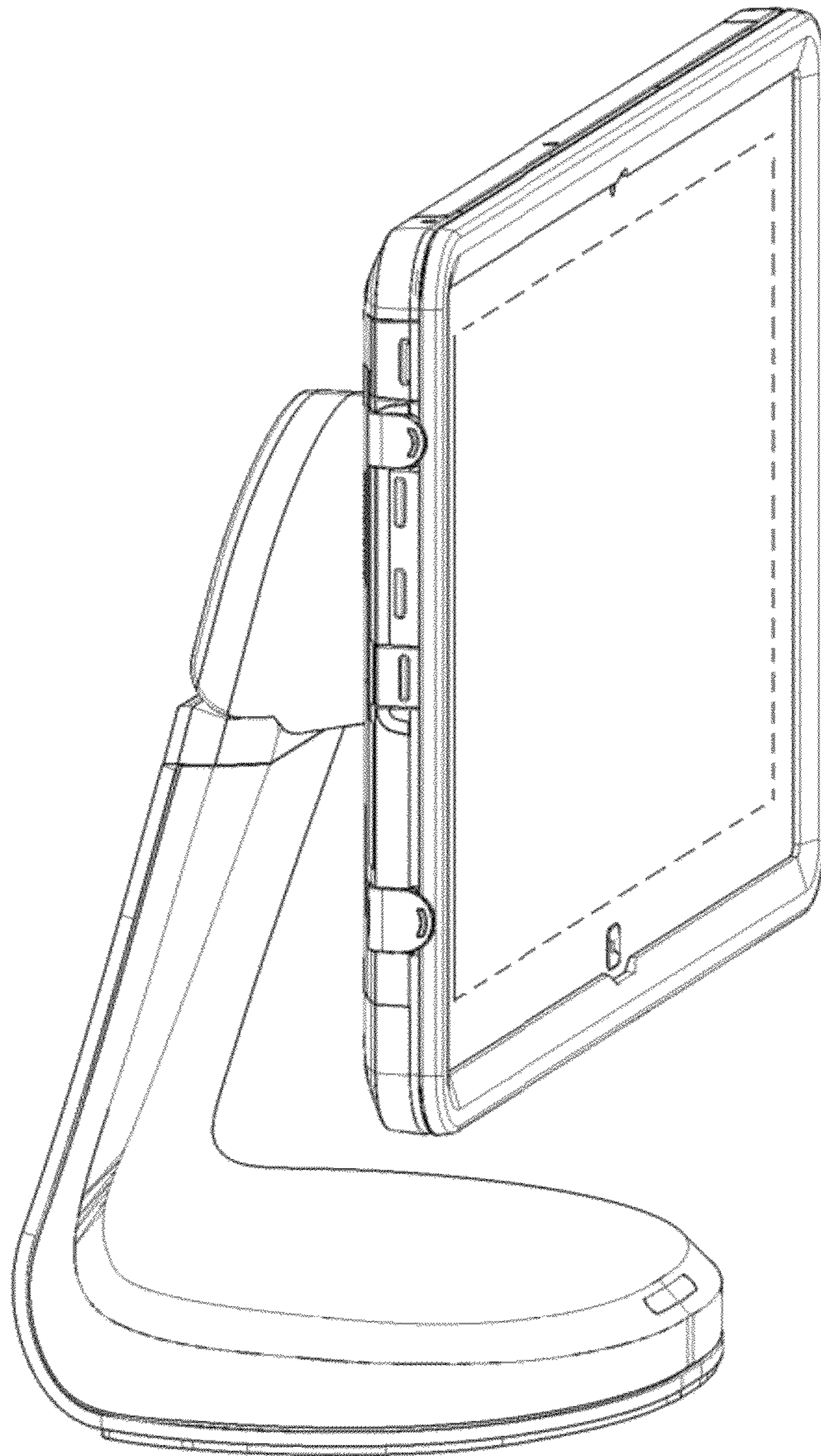
Broken lines shown in the drawings illustrate portions of the tablet device, and form no part of the claimed design.

**1 Claim, 8 Drawing Sheets**

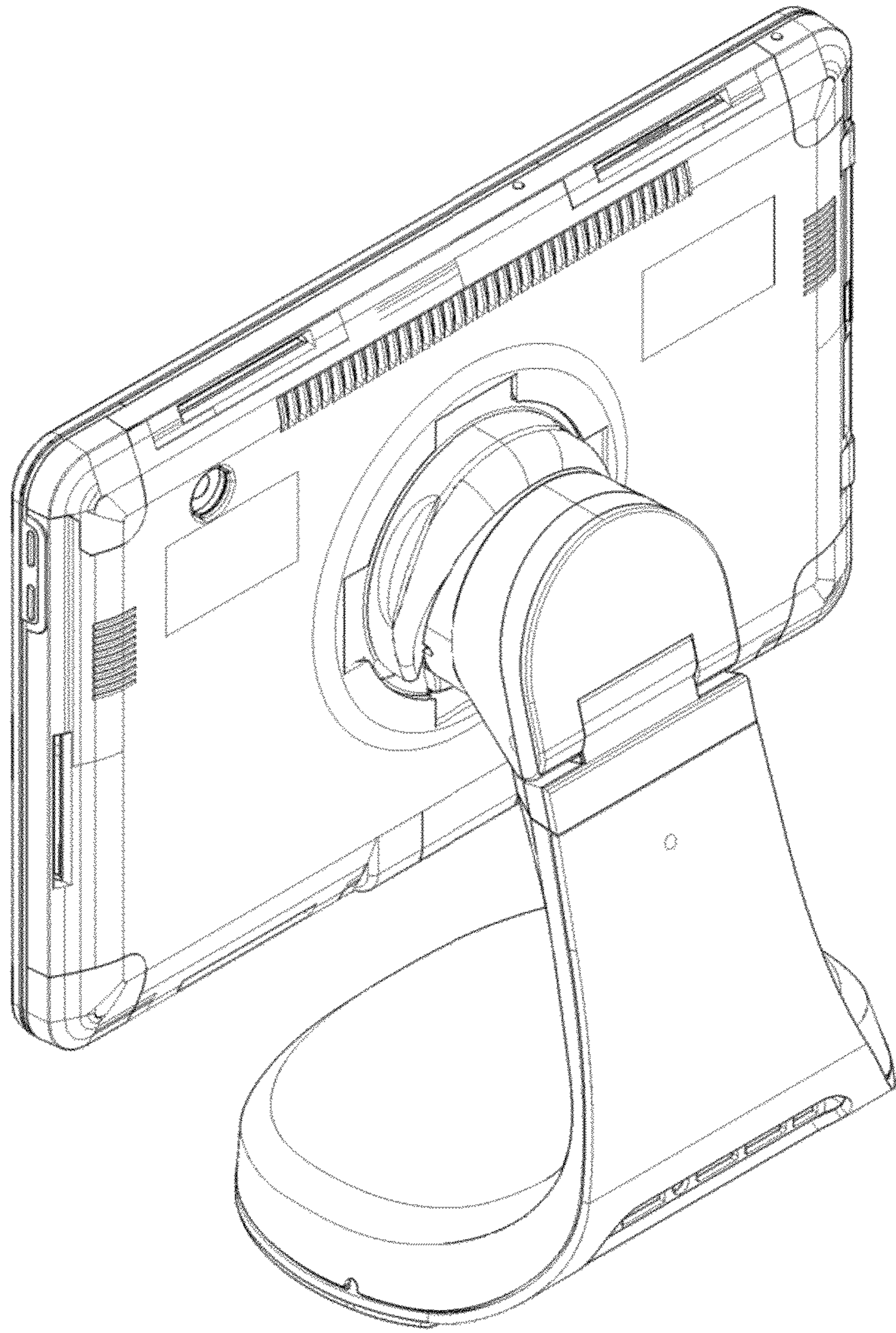




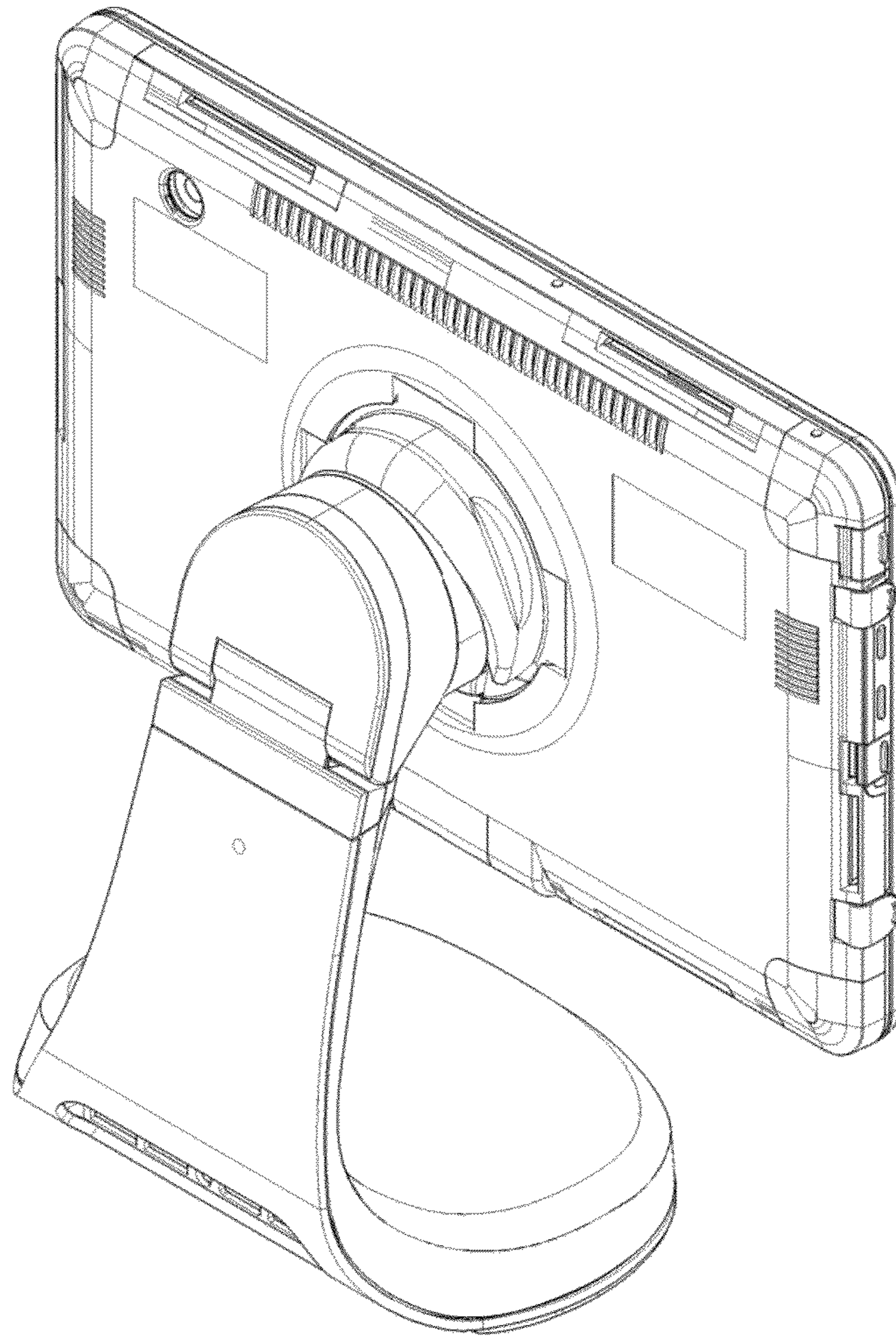
**Fig. 1**



**Fig. 2**

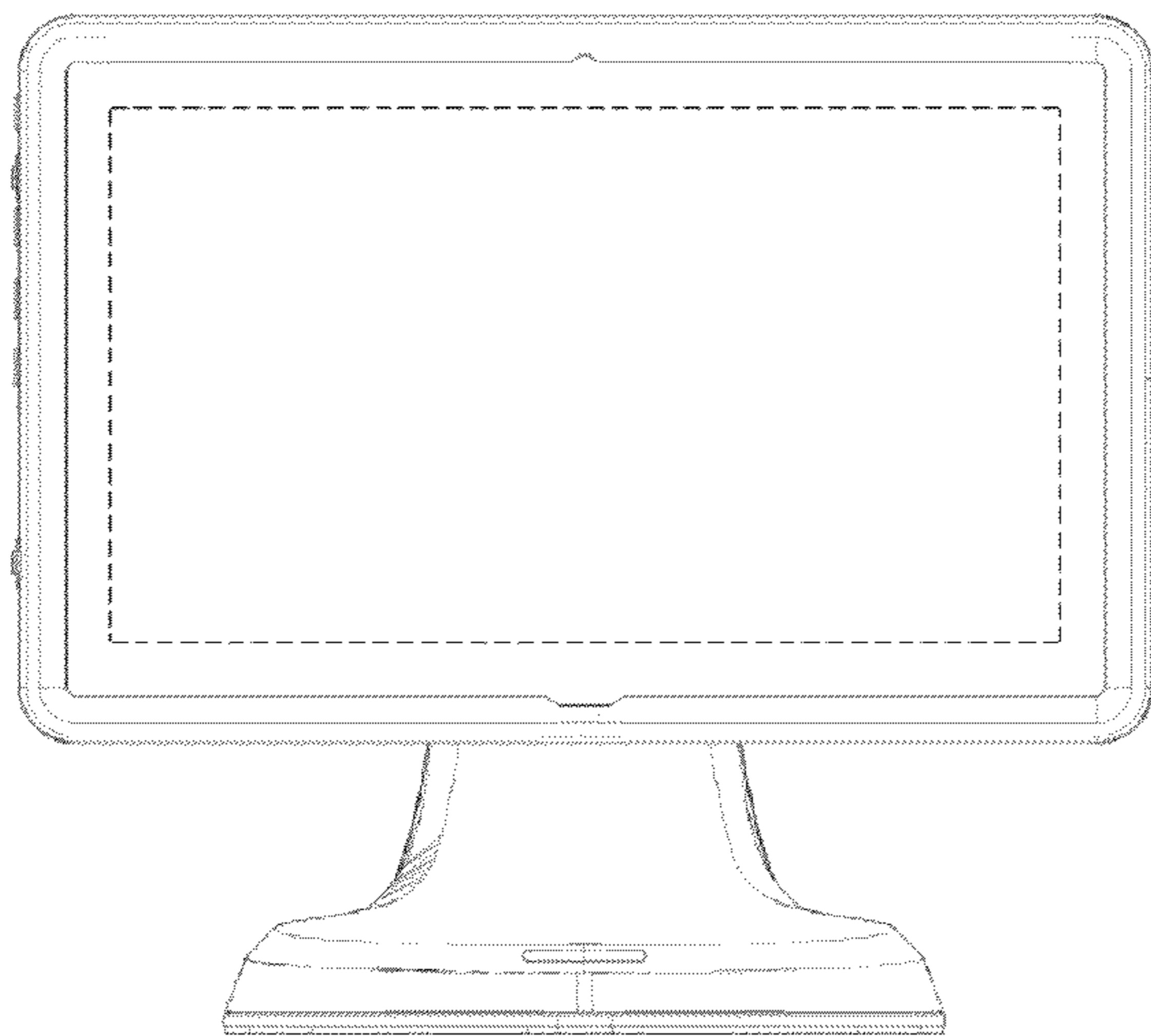
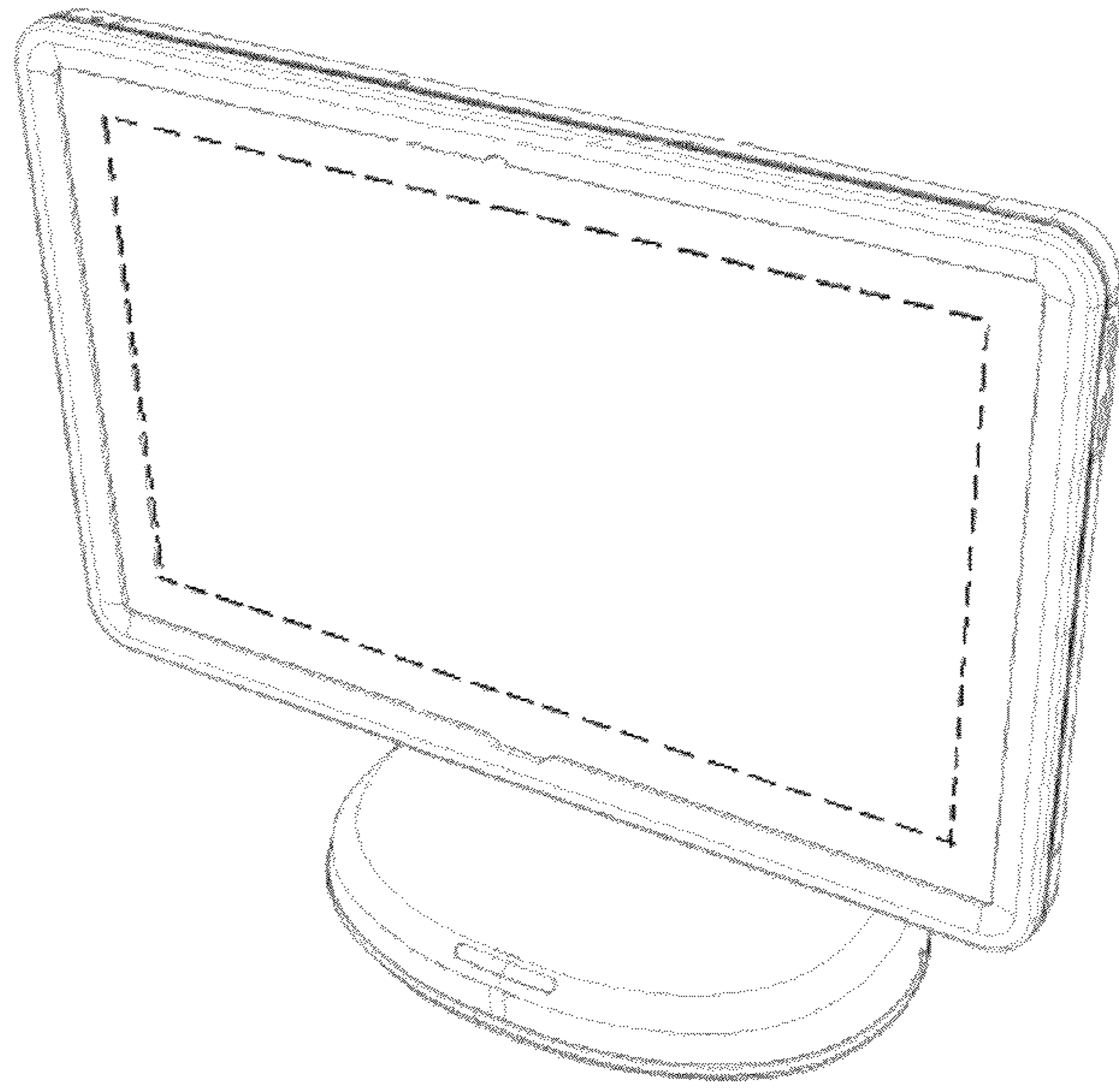


**Fig. 3**

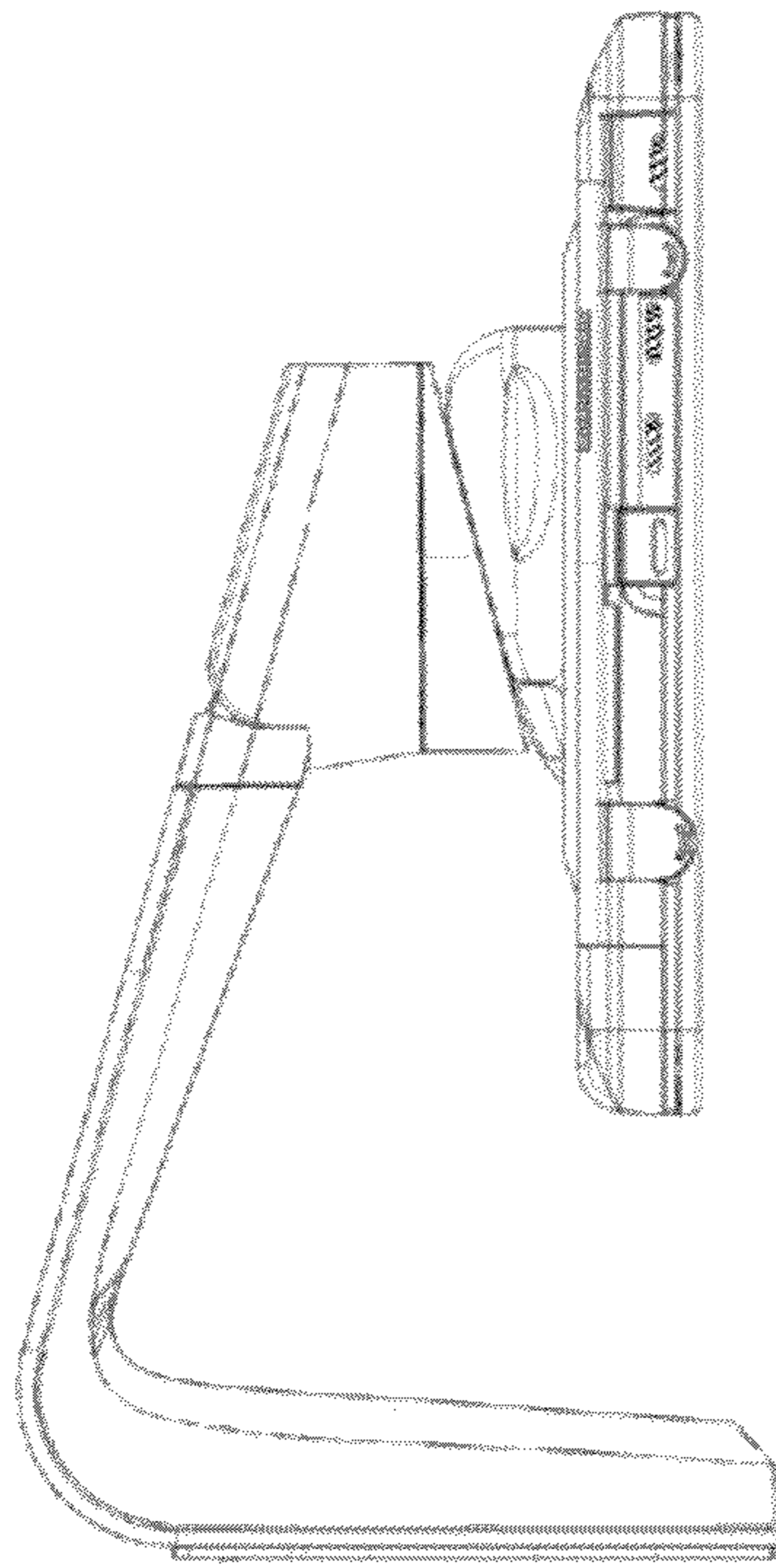


**Fig. 4**

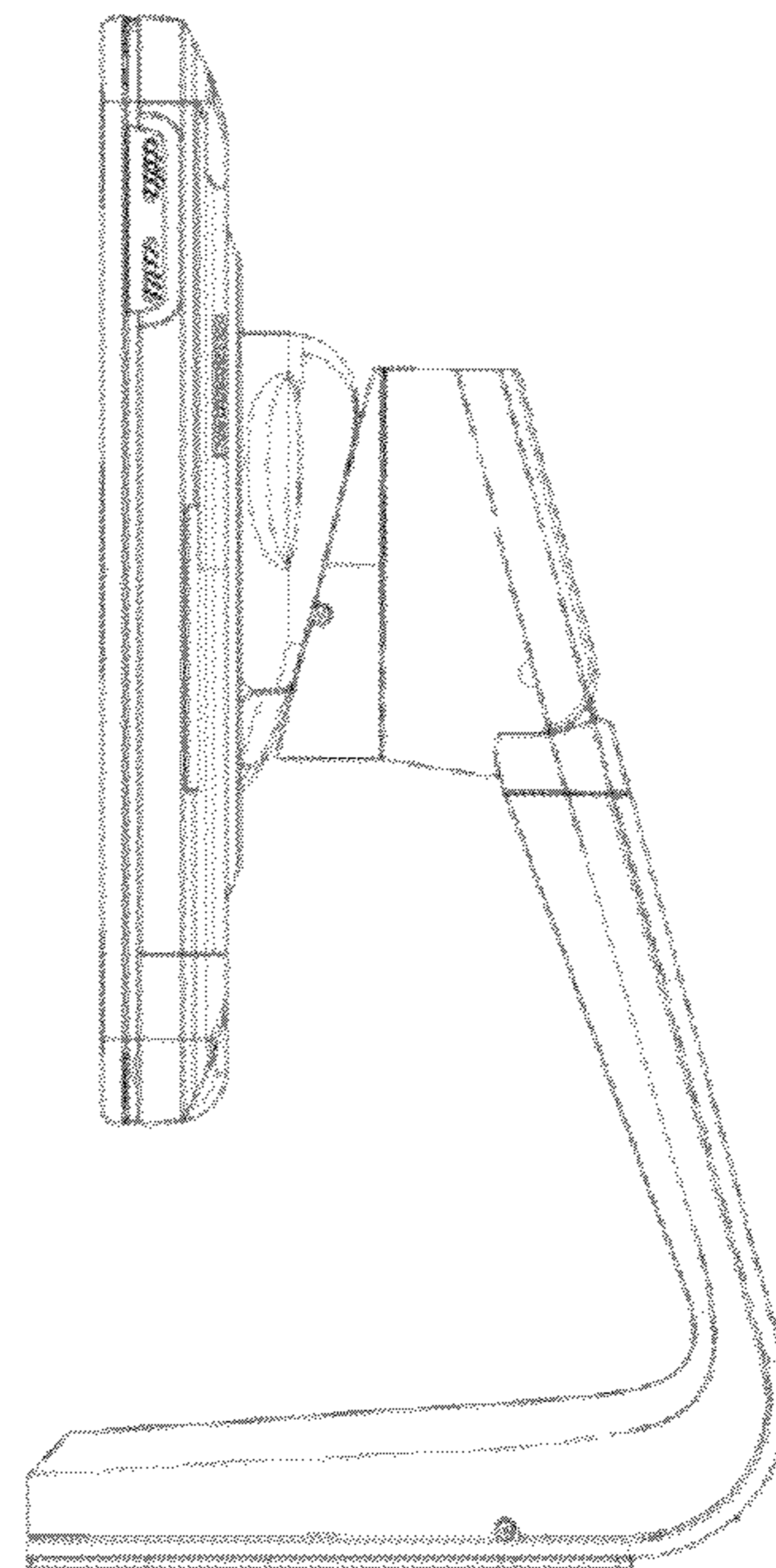
**Fig. 5**



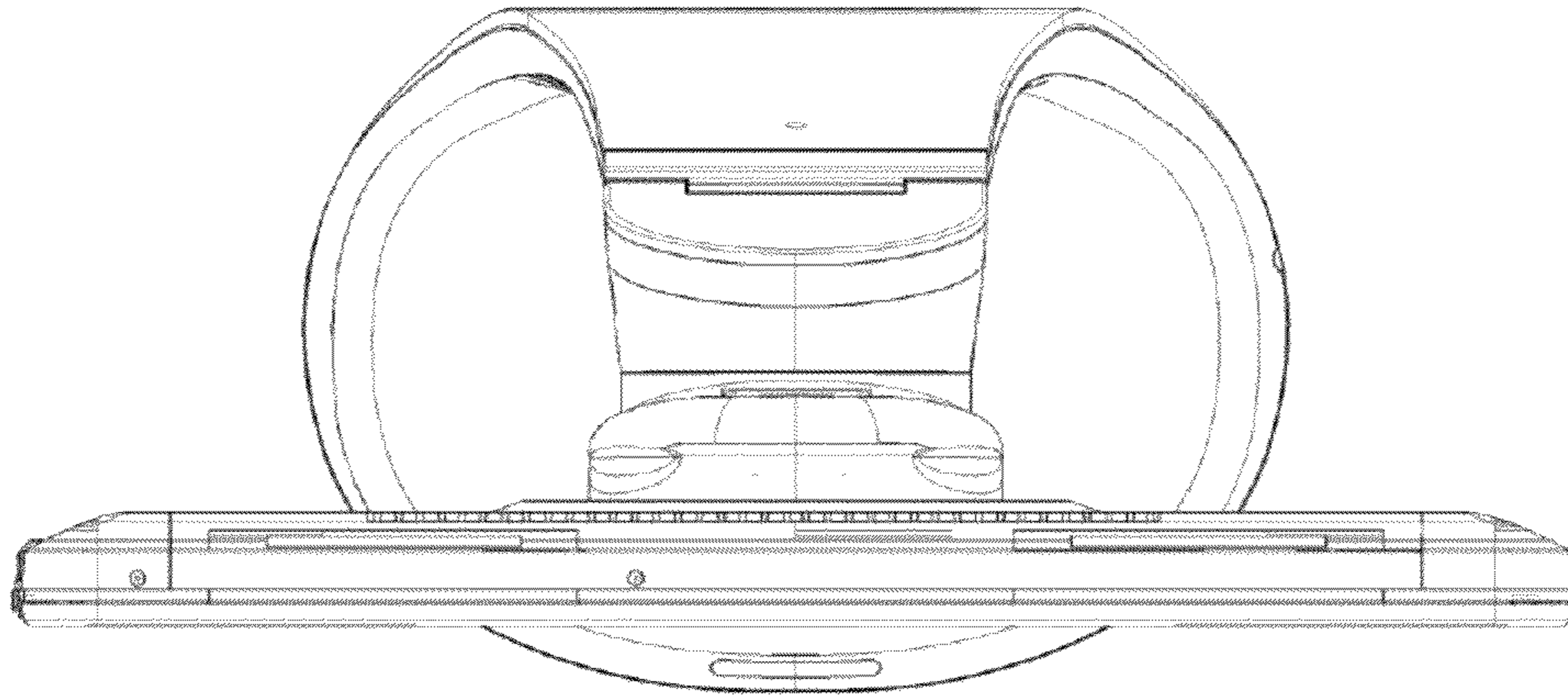
**Fig. 6**



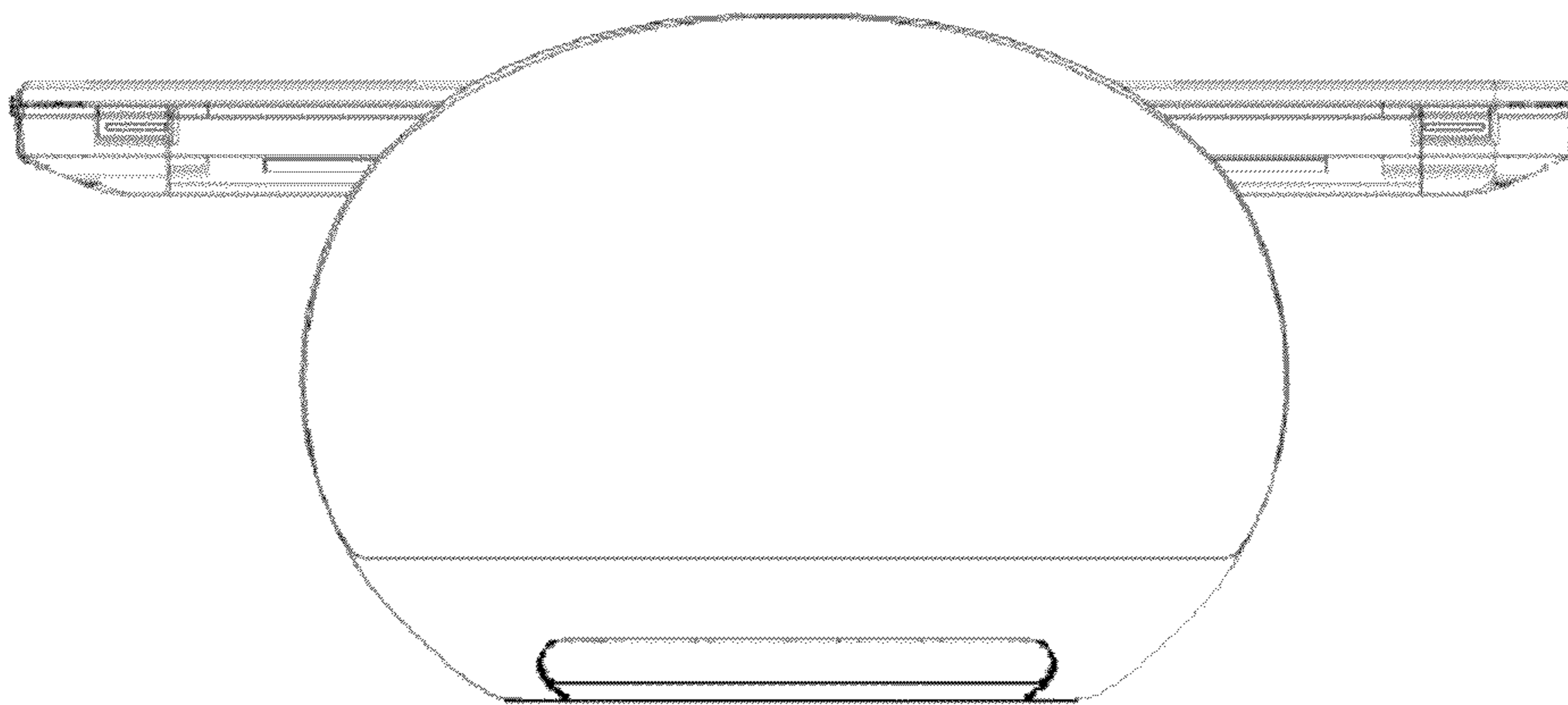
**Fig. 7**



**Fig. 8**

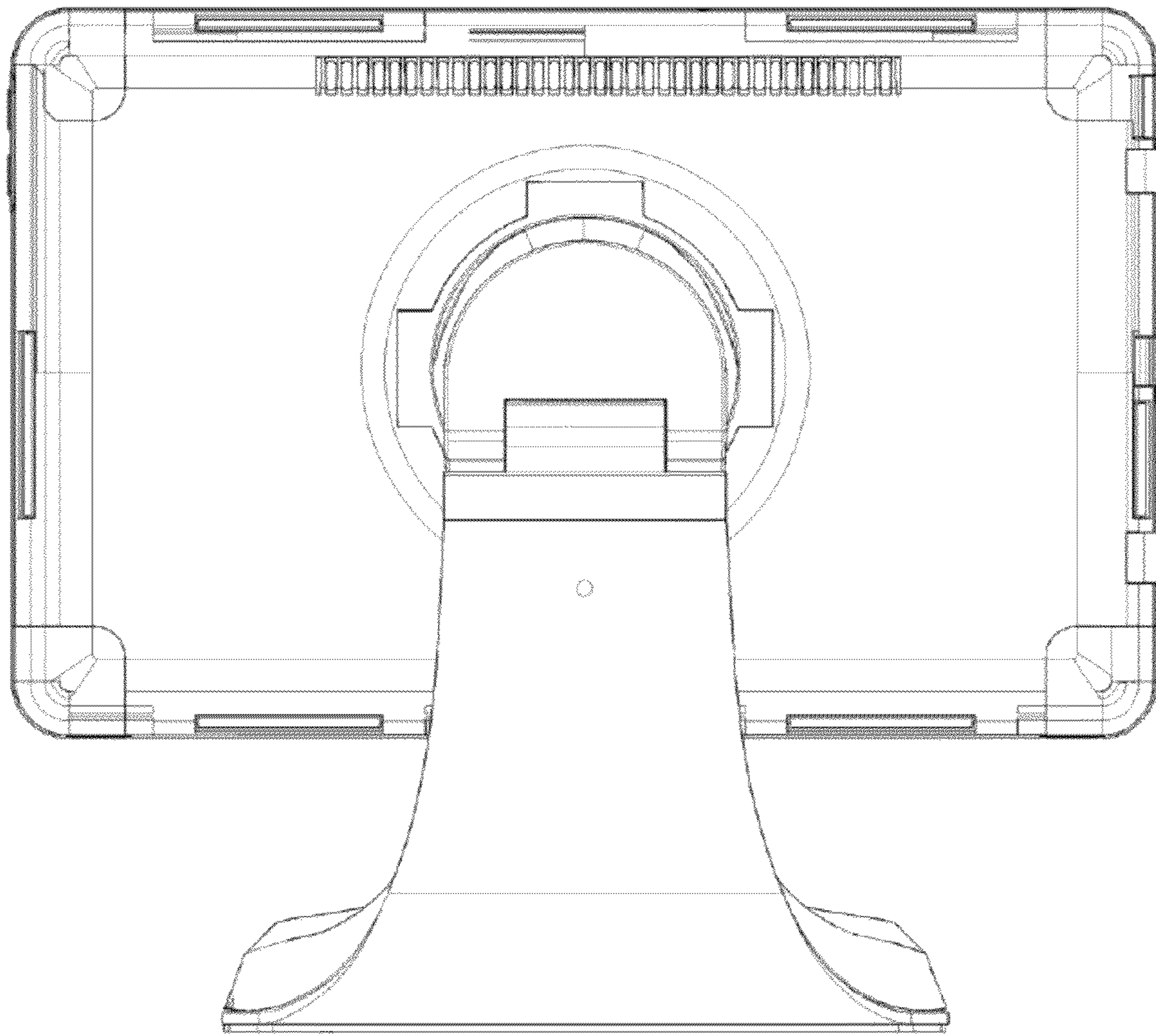


**Fig. 9**



**Fig. 10**





**Fig. 11**