



US00D732034S

(12) **United States Design Patent**
Chen et al.

(10) **Patent No.:** **US D732,034 S**
(45) **Date of Patent:** **** Jun. 16, 2015**

(54) **SCANNER**

(71) Applicant: **AVISION INC.**, Hsinchu (TW)

(72) Inventors: **Chi-Yao Chen**, Nanjhuang Township, Miaoli County (TW); **Jui Cheng Liu**, Nantou (TW); **Chao Yu Peng**, Hsinchu (TW)

(73) Assignee: **Avision Inc.** (TW)

(**) Term: **14 Years**

(21) Appl. No.: **29/489,171**

(22) Filed: **Apr. 28, 2014**

(30) **Foreign Application Priority Data**

Mar. 10, 2014 (TW) 103301330

(51) **LOC (10) Cl.** **14-02**

(52) **U.S. Cl.**
USPC **D14/420**

(58) **Field of Classification Search**
USPC D14/420-425; D18/55, 49, 46, 40, D18/36-39, 41, 44, 45, 47, 48, 50-54, 56; 235/462, 455, 470, 462.43, 482, 483; 358/474, 486, 488, 496, 497, 498, 452, 358/449, 451, 453, 1.13; 318/685, 696; 355/81, 75; 399/405, 367, 379, 380; 382/217; 715/209, 222, 226, 274; 400/613, 613.1-613.4, 690.1-690.4, 400/691-694

CPC H04N 1/00; H04N 1/12; H04N 1/00013; H04N 1/00015; H04N 1/00018; H04N 1/00026; H04N 1/00557; H04N 1/00564; H04N 1/00567; H04N 1/0057; H04N 1/00572; H04N 1/00586; H04N 1/00588; H04N 1/00591; H04N 1/00594; H04N 1/00596; H04N 1/00604; H04N 1/00519; H04N 1/00559; H04N 1/1013; H04N 1/10; H04N 1/00551; H04N 1/00278; H04N 2201/0456; H04N 2201/0446; H04N 2201/00; H04N

2201/0094; G03G 15/0142; G03G 15/605; G03G 15/602; B65H 5/26; B65H 5/30; B65H 5/36; B65H 7/00; B65H 2402/515; B65H 2402/31; B65H 2511/20; B65H 2511/414; B65H 2513/42; B65H 2801/39; B65H 2801/31; B65H 2215/00189; B65H 2215/00194; B65H 2215/00198; B65H 2215/00202; B65H 2215/00206; B65H 2215/20; B65H 2301/00; B65H 2220/04; B65H 3/5261

See application file for complete search history.

(56) **References Cited**

U.S. PATENT DOCUMENTS

D222,471	S	*	10/1971	Shebanow et al.	D14/385
4,962,980	A	*	10/1990	Knowles	359/213.1
5,115,333	A	*	5/1992	Mergenthaler et al.	359/196.1
D327,878	S	*	7/1992	Fukutake et al.	D14/420
D341,572	S	*	11/1993	Kuroki	D14/388
5,467,403	A	*	11/1995	Fishbine et al.	382/116
5,472,182	A	*	12/1995	Han	271/3.13
5,538,237	A	*	7/1996	Miyauchi	271/117
5,581,076	A	*	12/1996	Tabata	250/208.1
5,588,621	A	*	12/1996	Collins et al.	248/27.1
5,644,663	A	*	7/1997	Saito et al.	382/313

(Continued)

Primary Examiner — Susan Moon Lee

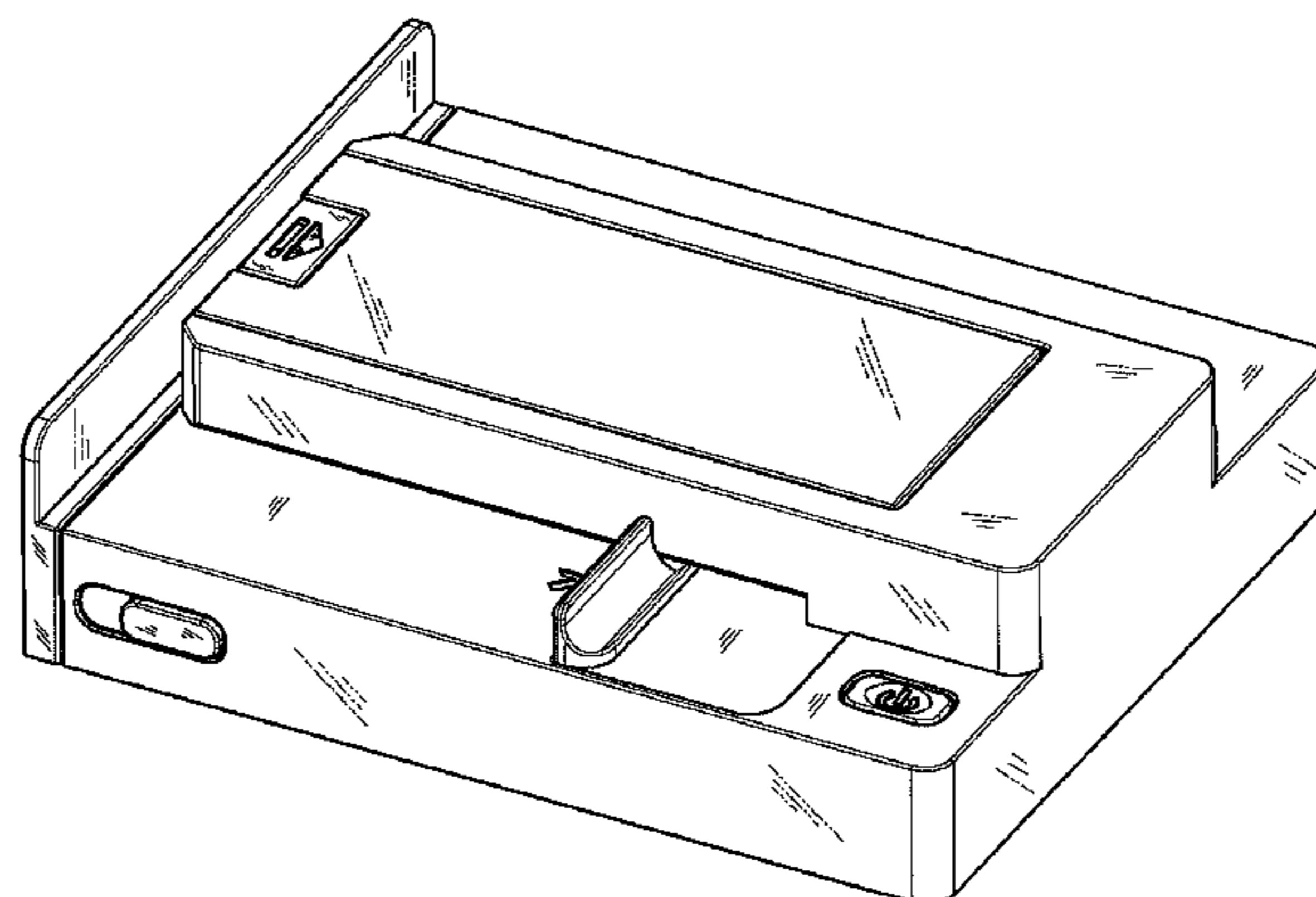
(57) **CLAIM**

The ornamental design for a scanner, as shown and described.

DESCRIPTION

FIG. 1 is a left perspective view of a scanner showing our new design;
FIG. 2 is a front view thereof;
FIG. 3 is a rear view thereof;
FIG. 4 is a left side view thereof;
FIG. 5 is a right side view thereof;
FIG. 6 is a top plan view thereof; and,
FIG. 7 is a bottom plan view thereof.

1 Claim, 7 Drawing Sheets



(56)

References Cited

U.S. PATENT DOCUMENTS

5,663,811	A *	9/1997	Shimizu	358/473	2004/0233930	A1 *	11/2004	Colby, Jr.	370/464
D415,128	S *	10/1999	Kitera	D14/422	2005/0243446	A1 *	11/2005	Wood	359/846
5,973,792	A *	10/1999	Matsuda	358/448	2006/0291065	A1 *	12/2006	Hasei et al.	359/619
6,014,470	A *	1/2000	Matsuda	382/275	2007/0125864	A1 *	6/2007	Hayakawa	235/462.43
6,496,285	B1 *	12/2002	Fujimoto et al.	358/475	2008/0084589	A1 *	4/2008	Malzbender	358/493
6,580,526	B1 *	6/2003	Suzuki et al.	358/473	2008/0142603	A1 *	6/2008	Mynhardt	235/462.43
6,765,702	B2 *	7/2004	Tang et al.	358/497	2009/0051929	A1 *	2/2009	Koh et al.	356/602
6,816,624	B1 *	11/2004	Ebisawa et al.	382/275	2009/0103107	A1 *	4/2009	Nygaard	356/602
7,042,599	B2 *	5/2006	Yokota et al.	358/475	2009/0116146	A1 *	5/2009	Miura et al.	360/133
D522,511	S *	6/2006	Sekou	D14/385	2009/0206243	A1 *	8/2009	Eisen	250/227.11
D530,631	S *	10/2006	Tsuruta et al.	D10/46	2010/0077089	A1 *	3/2010	Konishi et al.	709/228
D555,652	S *	11/2007	Kitamura et al.	D14/420	2010/0133344	A1 *	6/2010	Yamanouchi et al.	235/462.43
7,621,497	B2 *	11/2009	Wallace	248/343	2010/0195166	A1 *	8/2010	Sawada et al.	358/475
7,636,182	B2 *	12/2009	Guo	358/497	2011/0102861	A1 *	5/2011	Nuttall et al.	358/474
D623,974	S *	9/2010	Shigeno et al.	D10/97	2011/0286050	A1 *	11/2011	Wakabayashi	358/474
7,954,988	B2 *	6/2011	Lee et al.	362/555	2011/0292465	A1 *	12/2011	Sugiyama et al.	358/474
8,079,265	B2 *	12/2011	Brignac et al.	73/627	2012/0019876	A1 *	1/2012	Murray	358/474
D669,473	S *	10/2012	Gronau et al.	D14/420	2012/0099162	A1 *	4/2012	Murosaki	358/474
8,358,447	B2 *	1/2013	Kim et al.	358/474	2012/0105920	A1 *	5/2012	Murray	358/474
8,681,396	B2 *	3/2014	Horiguchi et al.	358/474	2012/0120459	A1 *	5/2012	Ono	358/474
D720,352	S *	12/2014	Cox et al.	D14/420	2012/0120461	A1 *	5/2012	Oshima et al.	358/474
2001/0015806	A1 *	8/2001	Baker	356/402	2013/0033730	A1 *	2/2013	Yu et al.	358/474
2003/0012036	A1 *	1/2003	Uemura et al.	362/555	2013/0107328	A1 *	5/2013	Tomioaka	358/474
					2014/0029066	A1 *	1/2014	Liu et al.	358/474
					2014/0092444	A1 *	4/2014	Lee et al.	358/474
					2014/0333974	A1 *	11/2014	Sugiyama	358/474

* cited by examiner

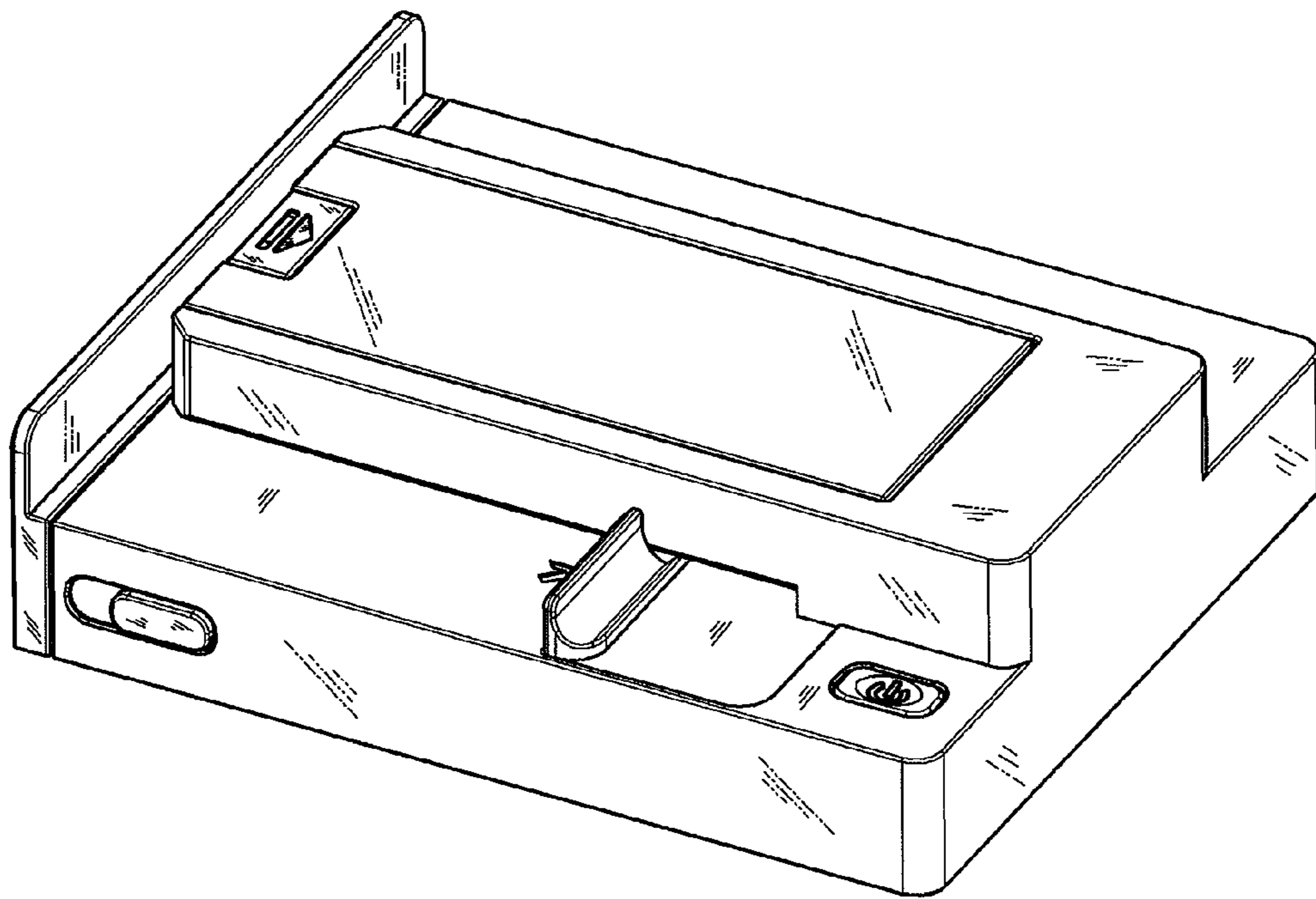


FIG. 1

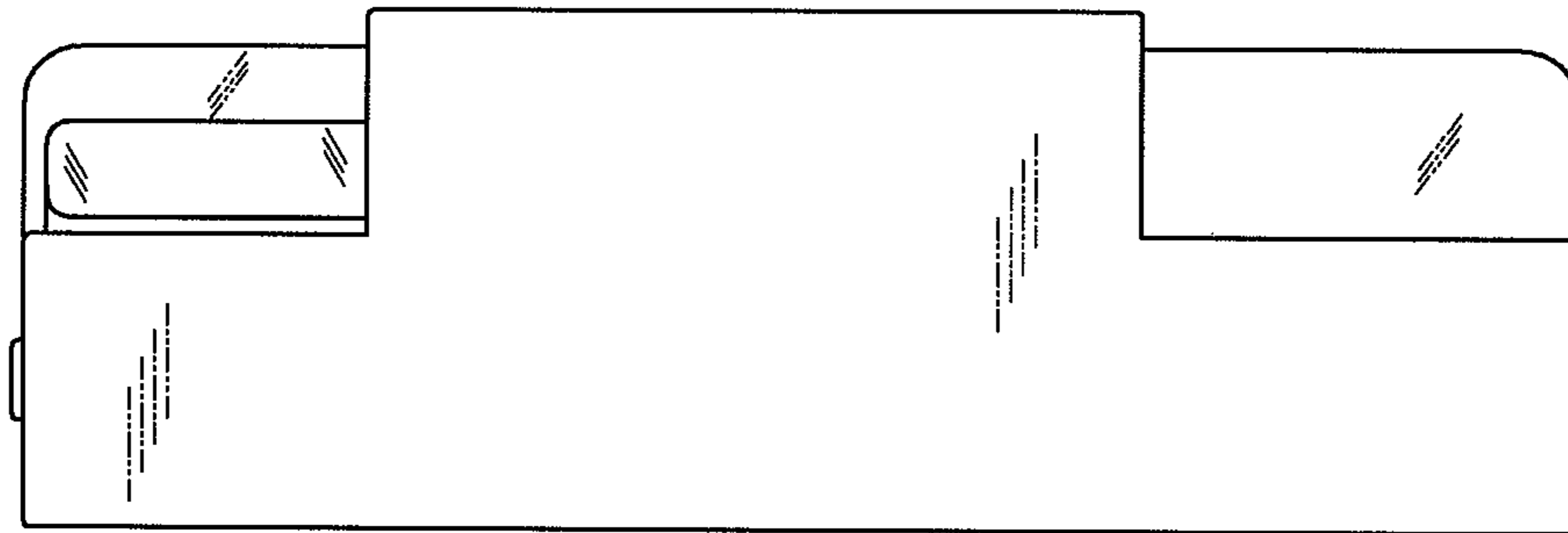


FIG. 2

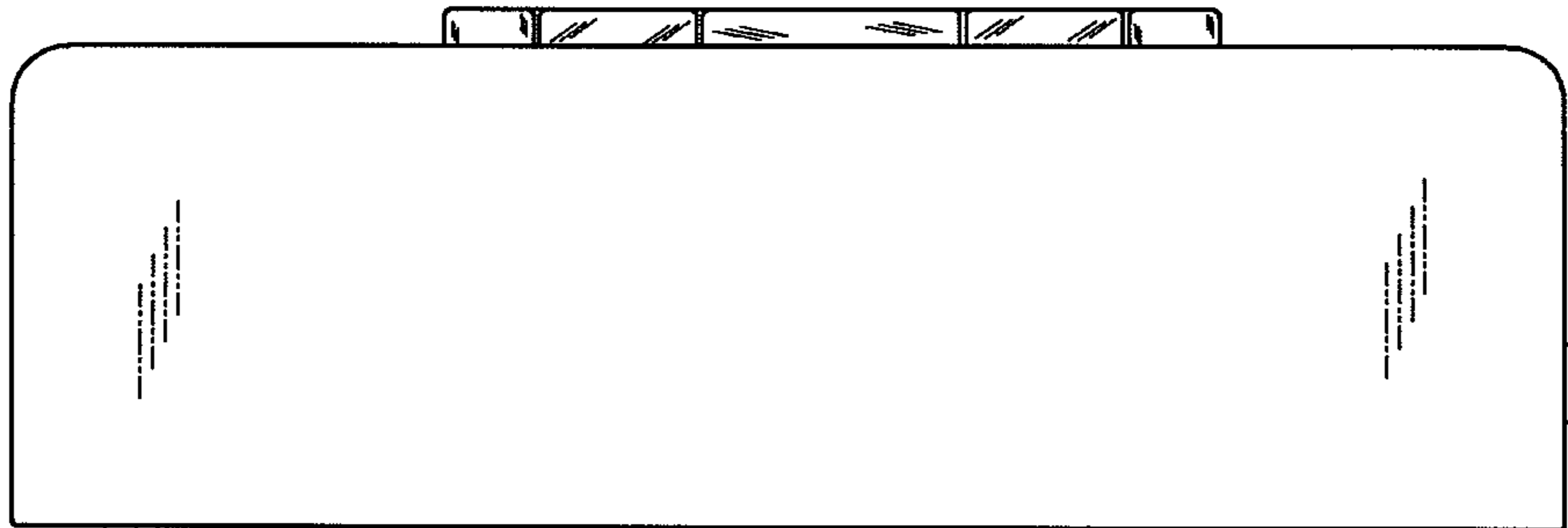


FIG. 3

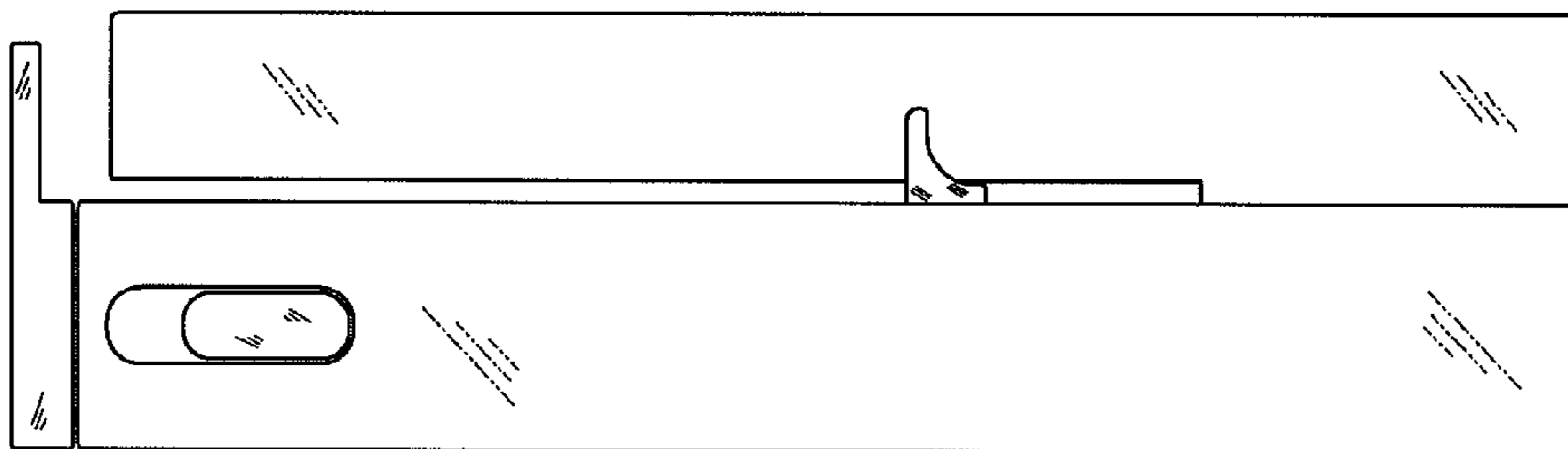


FIG. 4

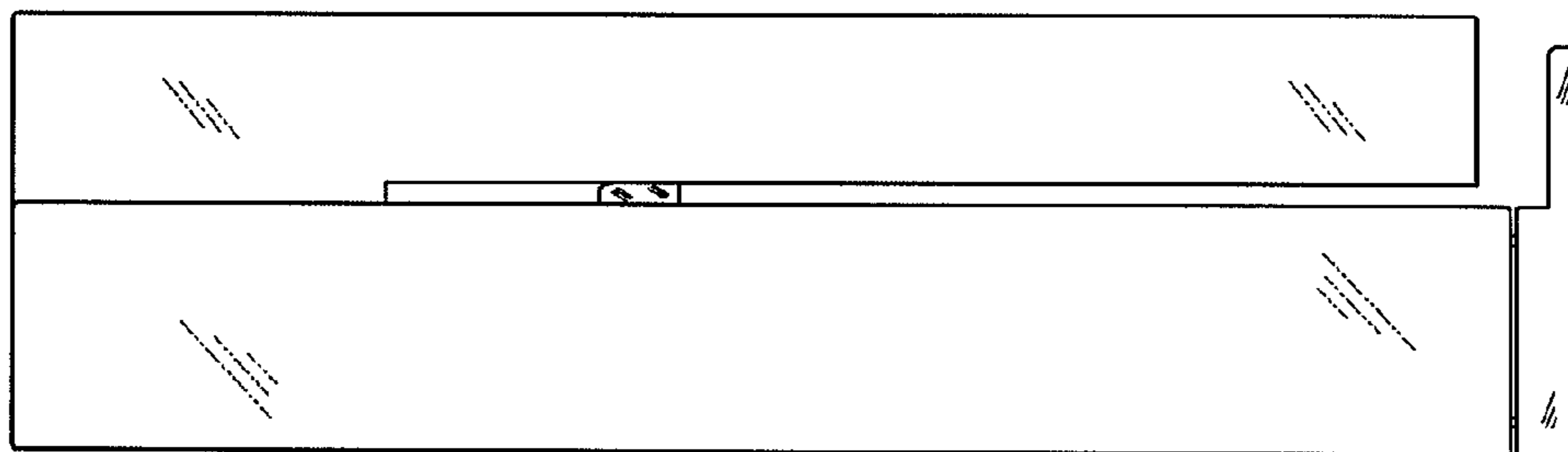


FIG. 5

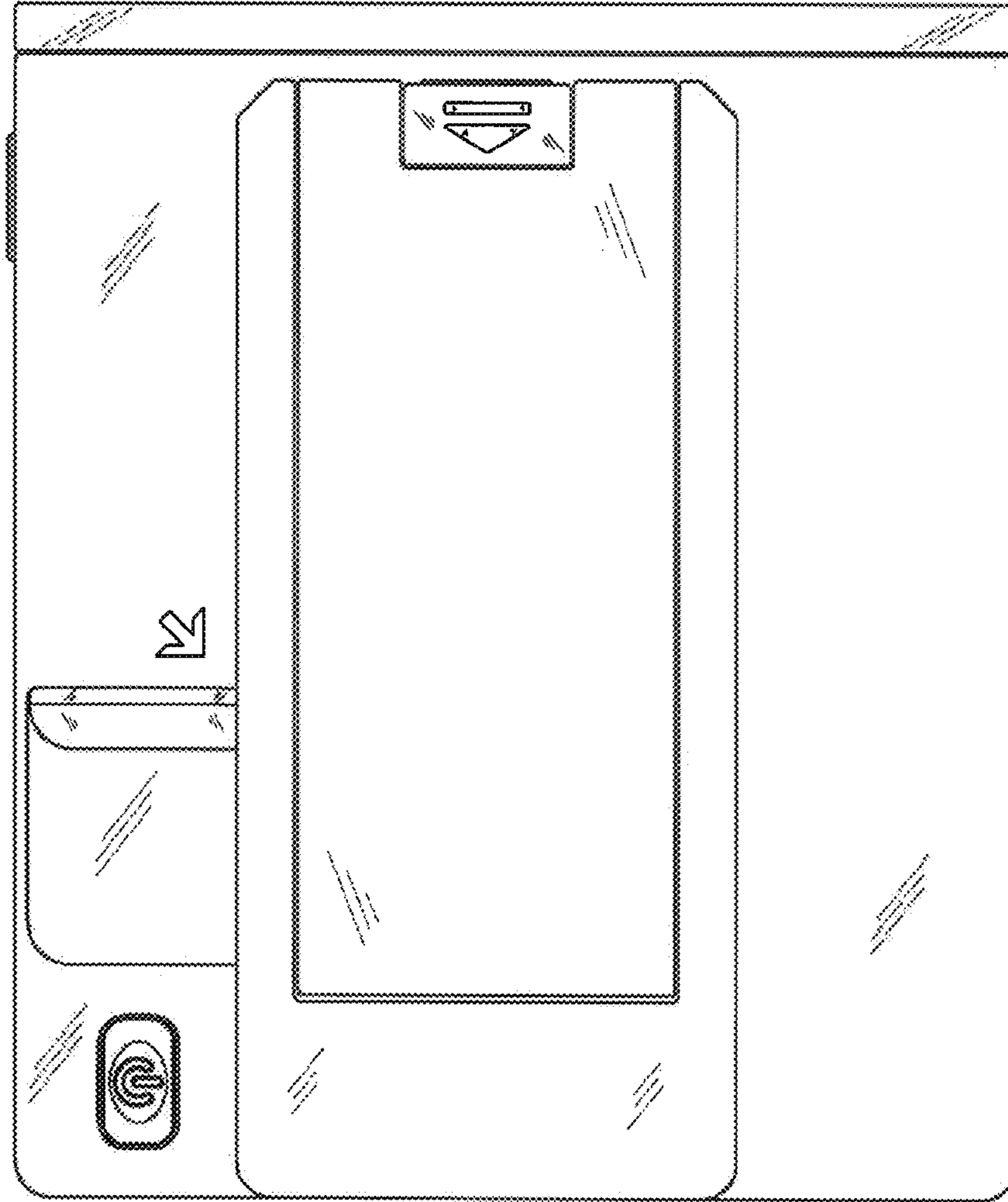


FIG. 6

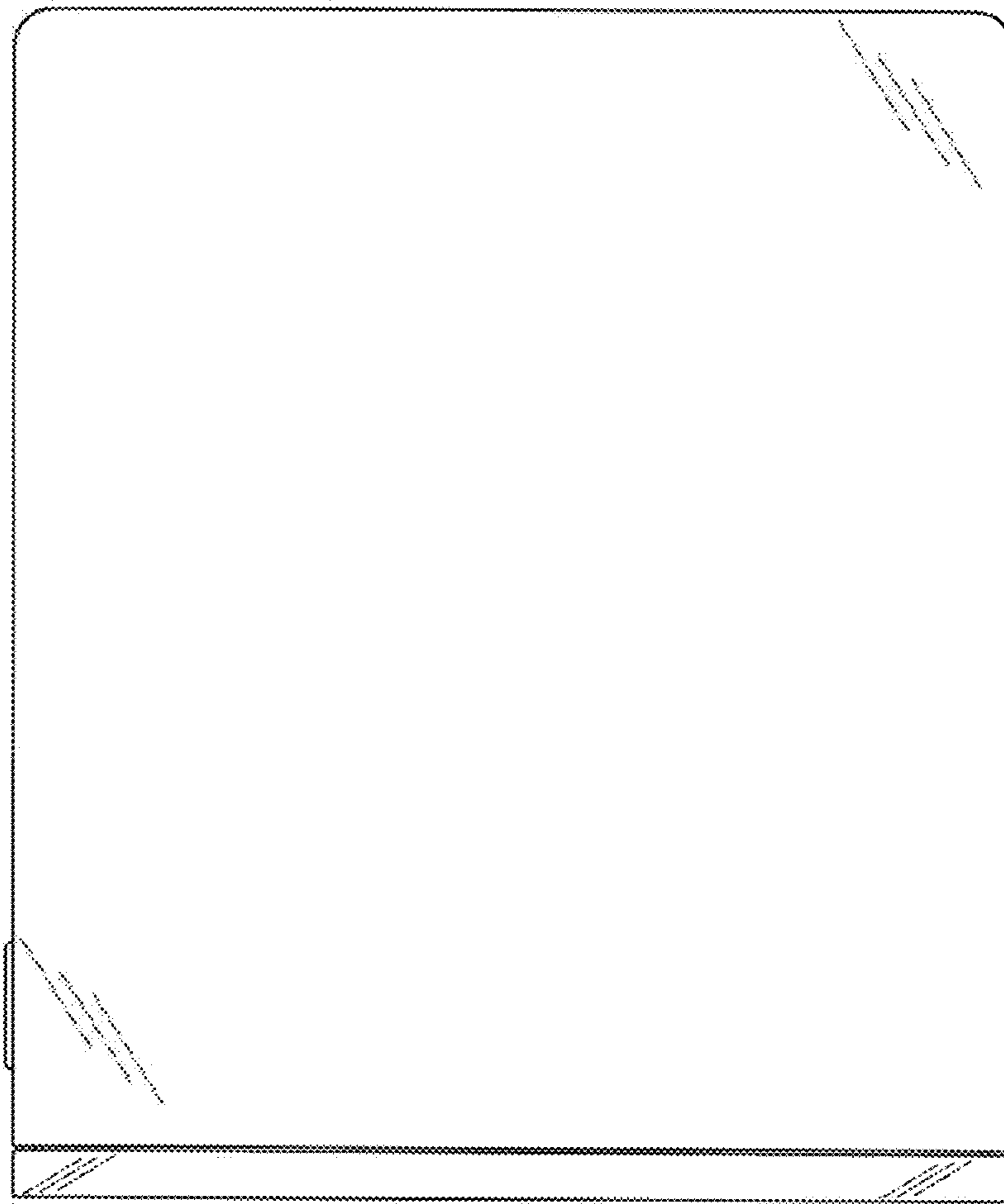


FIG. 7