



US00D732032S

(12) **United States Design Patent**
Lee et al.

(10) **Patent No.:** **US D732,032 S**
(45) **Date of Patent:** **** Jun. 16, 2015**

(54) **MONITOR**

(71) Applicant: **Samsung Electronics Co., Ltd.**,
Suwon-si, Gyeonggi-do (KR)

(72) Inventors: **Jooyeon Lee**, Gunposi (KR); **Kyu Eun Hwang**, Seoul (KR); **Whan Oh Sung**, Seoul (KR); **Youngkeun Lee**, Seoul (KR); **Jochen Backs**, San Francisco, CA (US)

(73) Assignee: **SAMSUNG ELECTRONICS CO., LTD.** (KR)

(**) Term: **14 Years**

(21) Appl. No.: **29/465,324**

(22) Filed: **Aug. 27, 2013**

(30) **Foreign Application Priority Data**

Feb. 27, 2013 (KR) 30-2013-0010365

(51) **LOC (10) Cl.** **14-02**

(52) **U.S. Cl.**
USPC **D14/374; D14/336**

(58) **Field of Classification Search**
USPC D14/371-375, 125-129, 336, 337;
341/12; 345/104, 156, 168, 173;
348/180, 184, 325, 739; 349/1, 2, 11,
349/62; 361/679.05-679.07, 679.21;
D6/300, 308

See application file for complete search history.

(56) **References Cited**

U.S. PATENT DOCUMENTS

D483,757 S * 12/2003 Olson et al. D14/371
D554,639 S * 11/2007 Kim et al. D14/375

D569,815 S * 5/2008 Otani D14/126
D578,087 S * 10/2008 Yokota D14/126
D599,756 S * 9/2009 Yokota D14/126
7,609,507 B2 * 10/2009 Sakata et al. 361/679.21
7,612,991 B2 * 11/2009 Sakata et al. 361/679.22
D636,745 S * 4/2011 Yokota et al. D14/126
2008/0019088 A1 * 1/2008 Williams et al. 361/681

* cited by examiner

Primary Examiner — Freda S Nunn

(74) *Attorney, Agent, or Firm* — Cantor Colburn LLP

(57) **CLAIM**

We claim, the ornamental design for a monitor, as shown and described.

DESCRIPTION

FIG. 1 is a perspective view of a monitor showing our new design;

FIG. 2 is a front elevation view thereof;

FIG. 3 is a rear elevation view thereof;

FIG. 4 is a left-side elevation view thereof;

FIG. 5 is a right-side elevation view thereof;

FIG. 6 is a top-side plan view thereof;

FIG. 7 is a bottom-side plan view thereof;

FIG. 8 is a rear perspective view thereof; and,

FIG. 9 is a perspective view thereof with a keyboard.

The oblique line shading of the monitor as shown in the Figures represents a relatively transparent, translucent, or light reflective surface. The remaining surface treatment of the monitor shown in the figures forms no part of the claimed design, as a monitor according to the claimed design may have any surface treatment.

The broken lines illustrating portions of the monitor are for environmental purposes only and form no part of the claimed design.

1 Claim, 9 Drawing Sheets

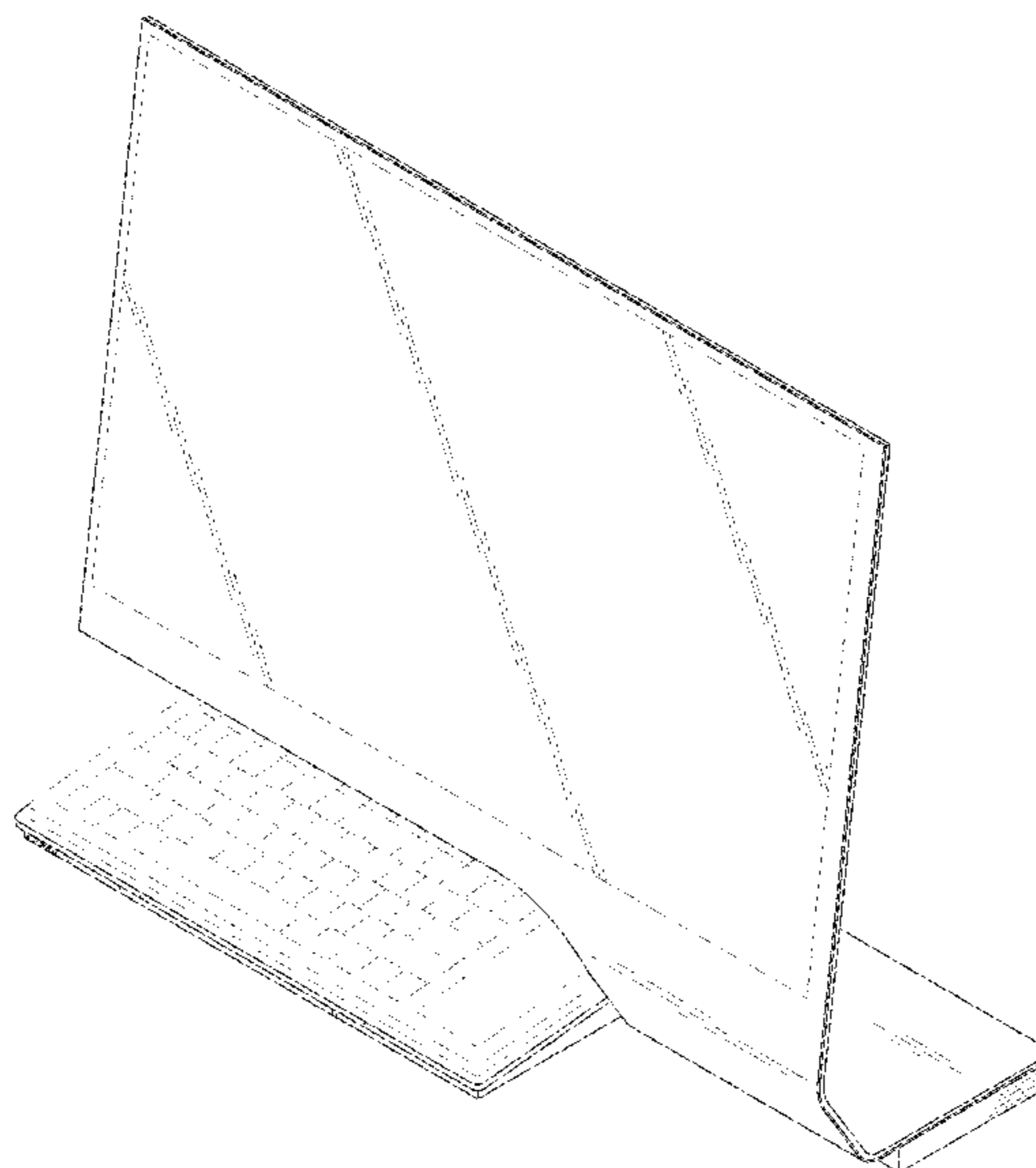


FIG. 1

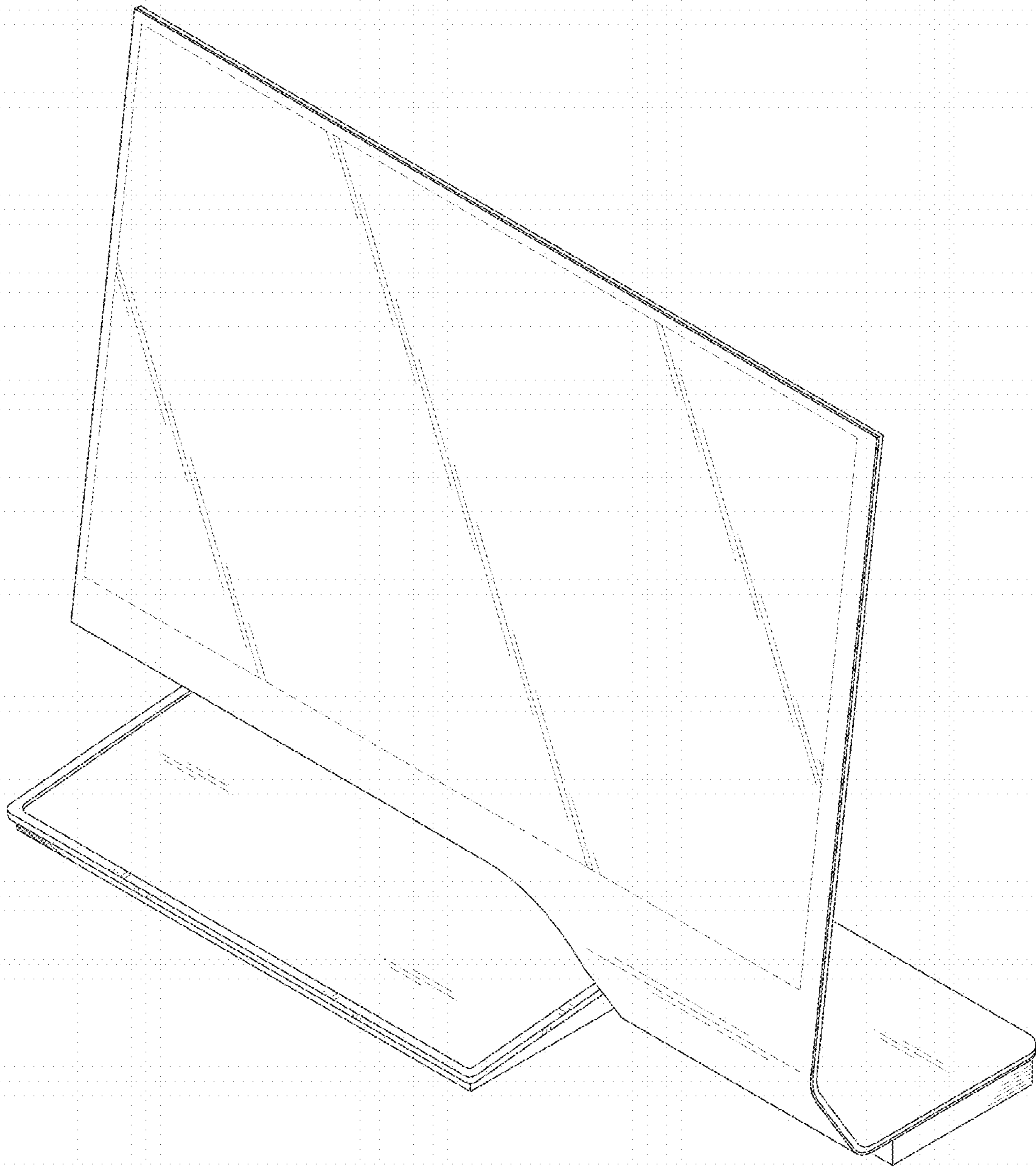


FIG. 2

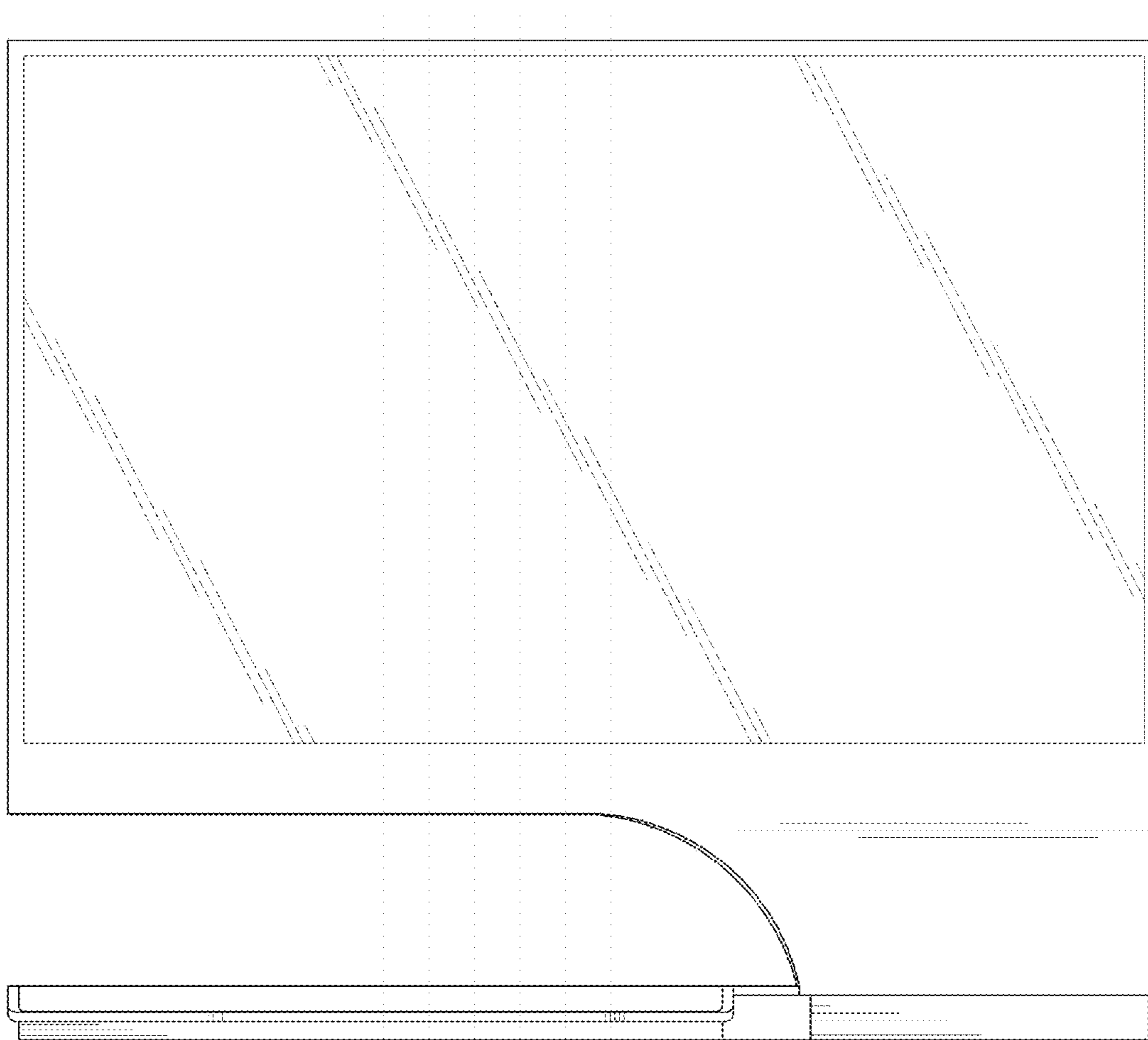


FIG. 3



FIG. 4

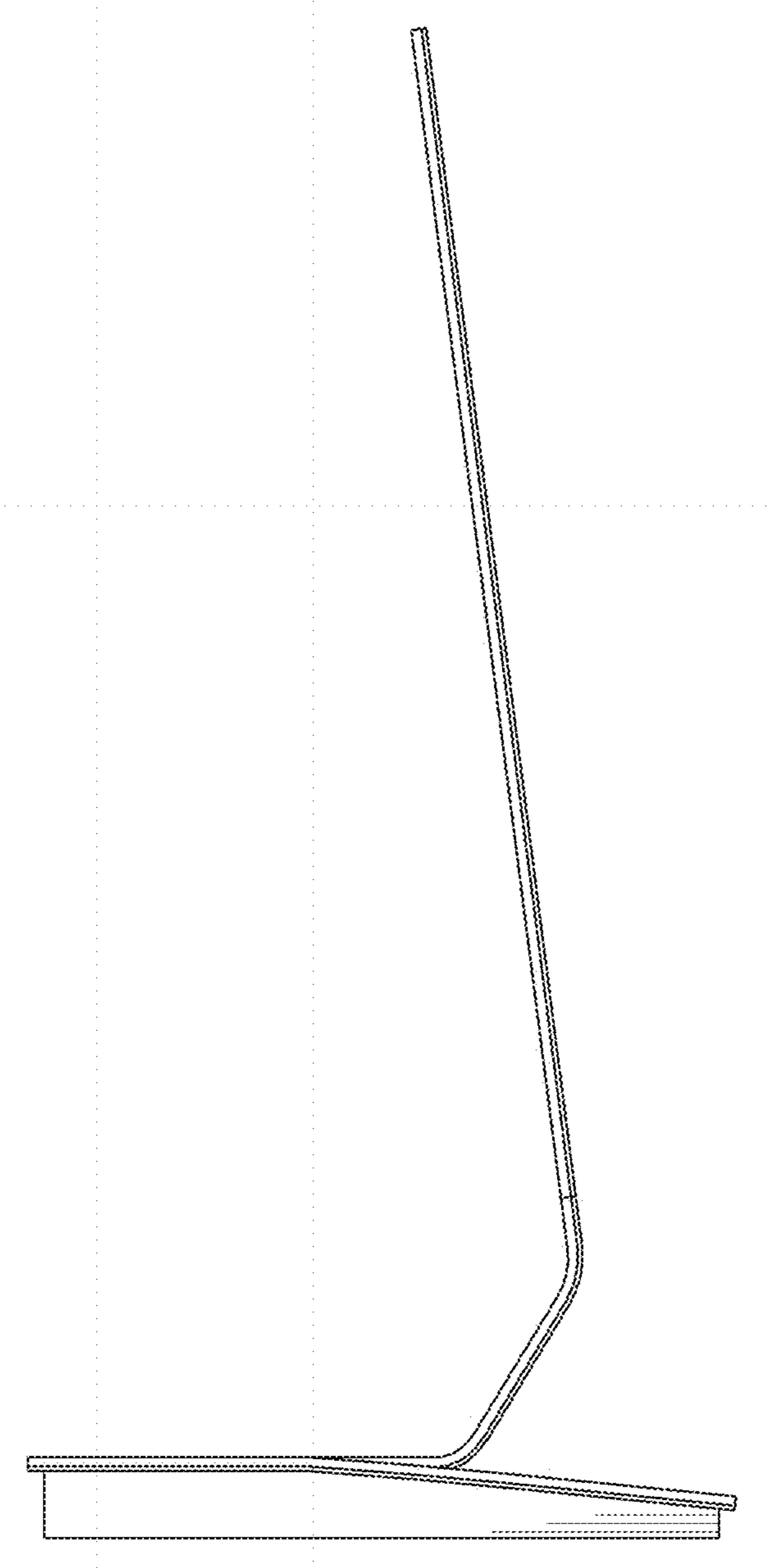


FIG. 5

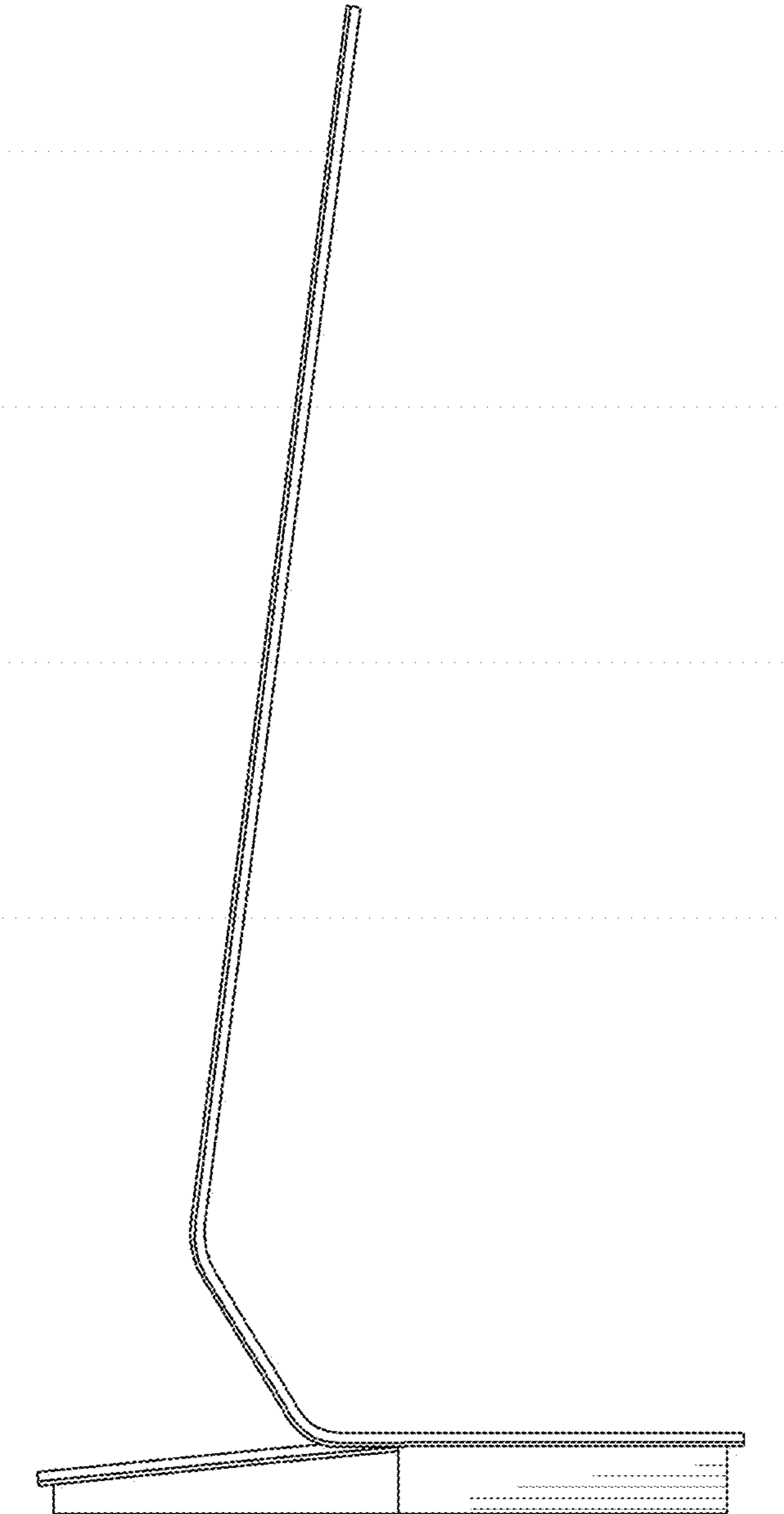


FIG. 6

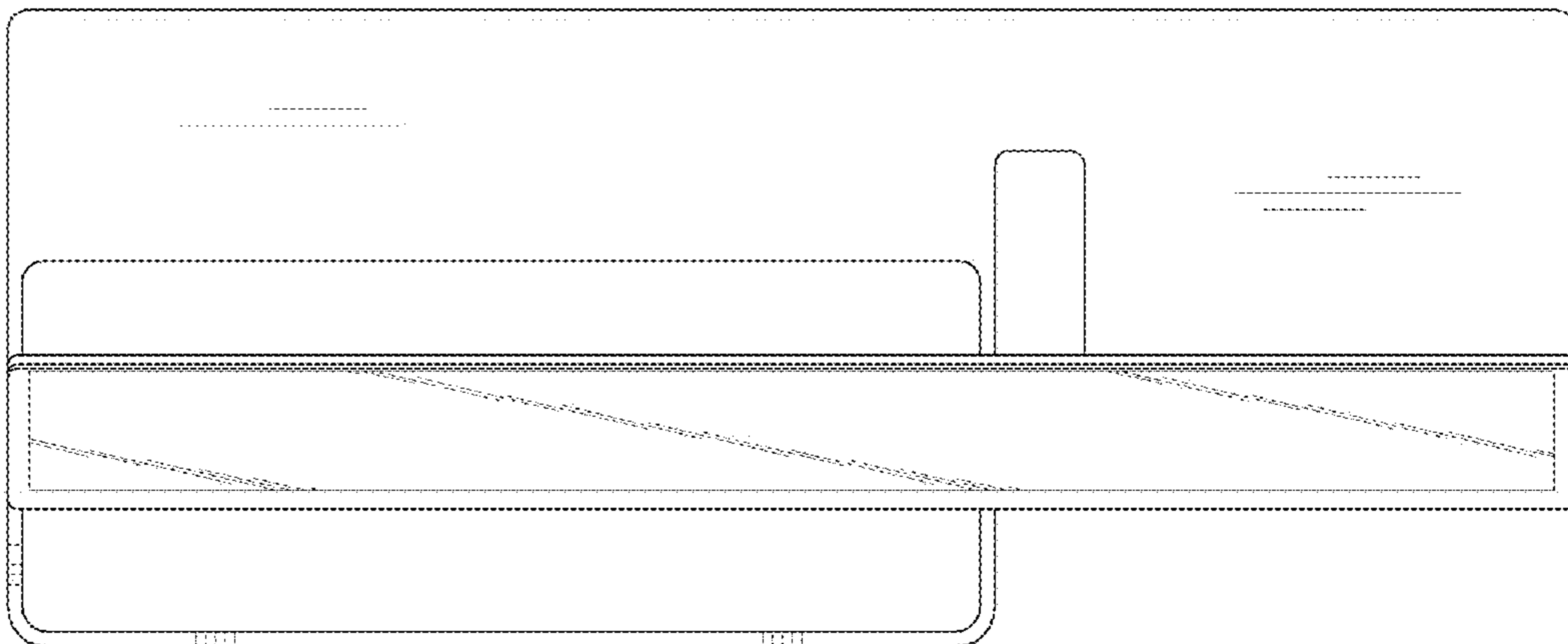


FIG. 7

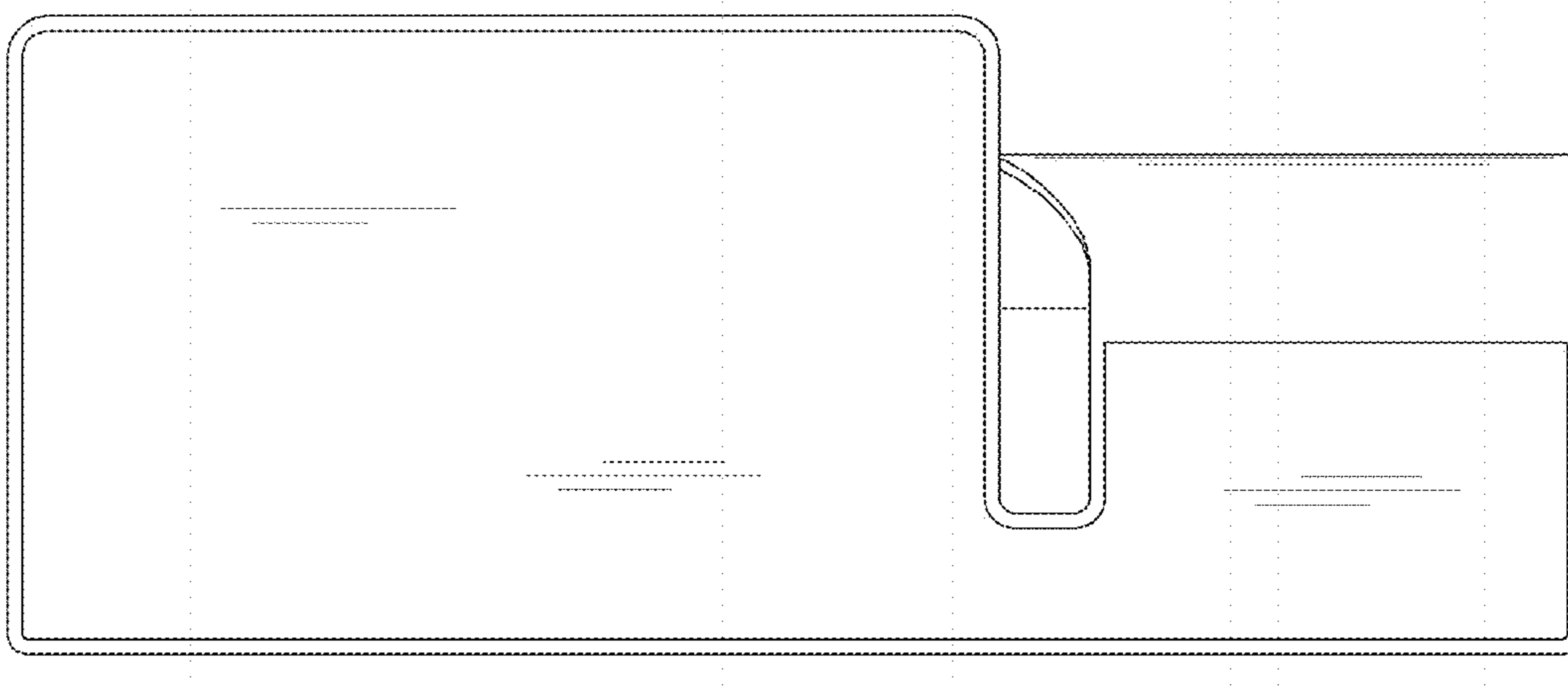


FIG. 8

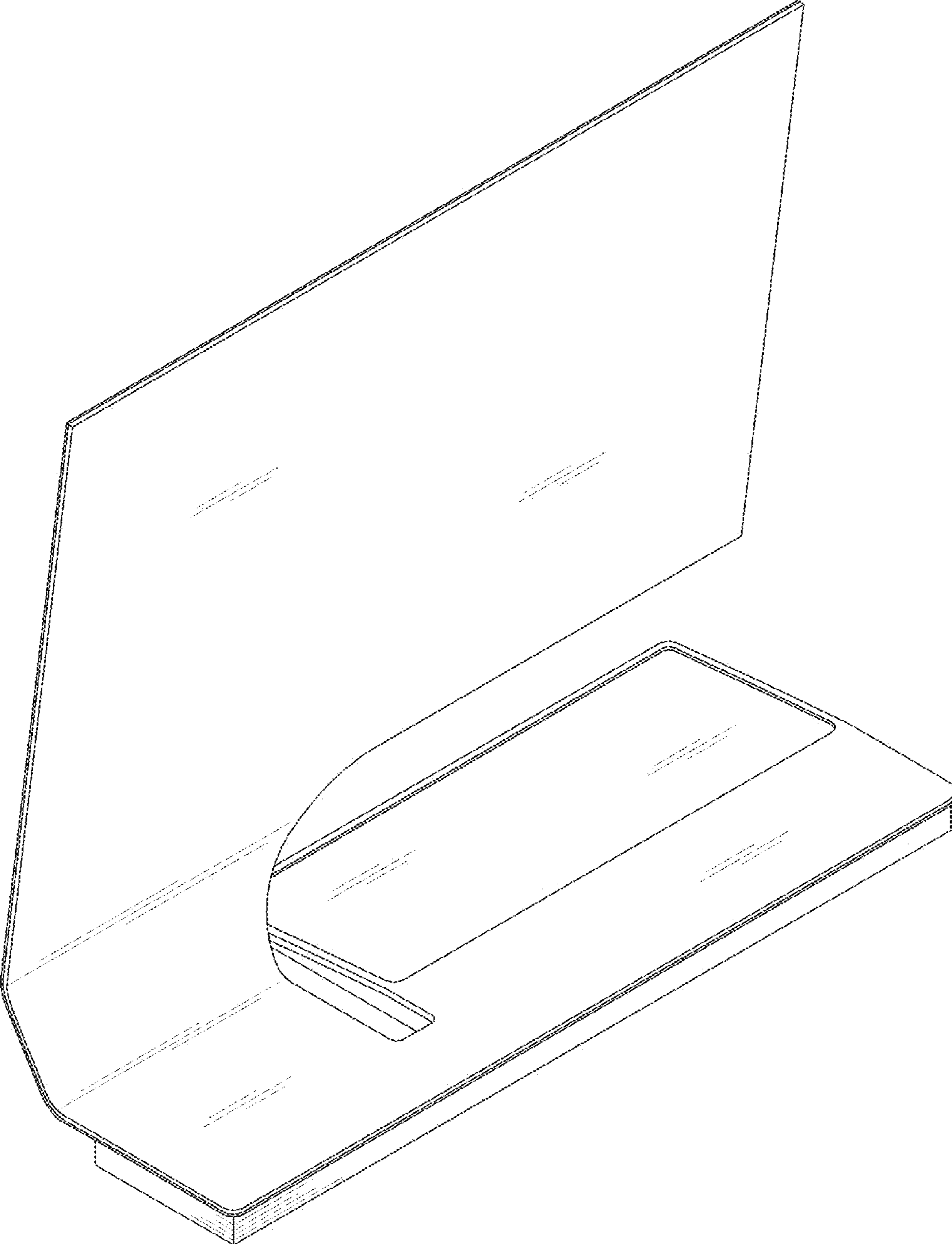


FIG. 9

