



US00D732029S

(12) **United States Design Patent**  
**Huh et al.**

(10) **Patent No.:** **US D732,029 S**  
(45) **Date of Patent:** **\*\* Jun. 16, 2015**

(54) **MONITOR FOR COMPUTER**

(71) Applicant: **LG ELECTRONICS INC.**, Seoul (KR)

(72) Inventors: **Byungmu Huh**, Seoul (KR); **Sungjoo Kim**, Seoul (KR)

(73) Assignee: **LG Electronics Inc.**, Seoul (KR)

(\*\*) Term: **14 Years**

(21) Appl. No.: **29/458,827**

(22) Filed: **Jun. 24, 2013**

(30) **Foreign Application Priority Data**

Dec. 27, 2012 (KR) ..... 30-2012-0062613

(51) **LOC (10) Cl.** ..... **14-02**

(52) **U.S. Cl.**  
USPC ..... **D14/374**

(58) **Field of Classification Search**  
USPC ..... D14/371-375, 125-129, 336, 337;  
341/12; 345/104, 156, 168, 173;  
348/180, 184, 325, 739; 349/1, 2, 11,  
349/62; 361/679.01, 679.05-679.07,  
361/679.21; D6/300, 308  
CPC ..... G06F 3/016; G06F 3/011; F16M 11/10;  
F16M 11/04

See application file for complete search history.

(56) **References Cited**

U.S. PATENT DOCUMENTS

D605,149 S \* 12/2009 Kim et al. .... D14/126  
D608,314 S \* 1/2010 Boo et al. .... D14/126

\* cited by examiner

*Primary Examiner* — Freda S Nunn

(74) *Attorney, Agent, or Firm* — Morgan, Lewis & Bockius LLP

(57) **CLAIM**

The ornamental design for a monitor for computer, as shown and described.

**DESCRIPTION**

FIG. 1 is a front, right side, perspective view of a monitor for computer showing our new design;  
FIG. 2 is a front view thereof;  
FIG. 3 is a rear view thereof;  
FIG. 4 is a left side view thereof;  
FIG. 5 is a right side view thereof;  
FIG. 6 is a top view thereof; and,  
FIG. 7 is a bottom view thereof.

Broken lines shown in the drawings illustrate portions of the monitor for computer and form no part of the claimed design.

**1 Claim, 7 Drawing Sheets**

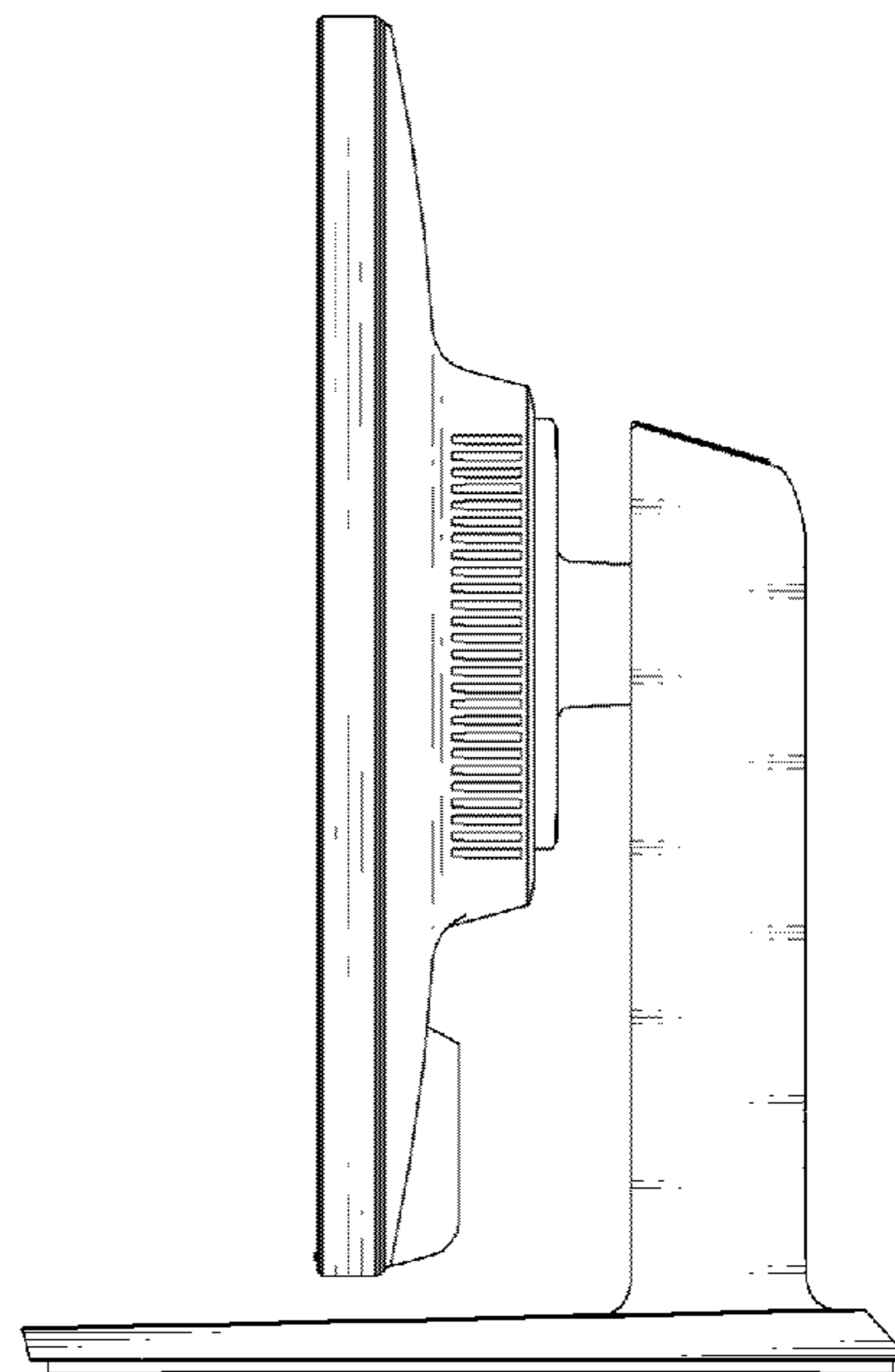
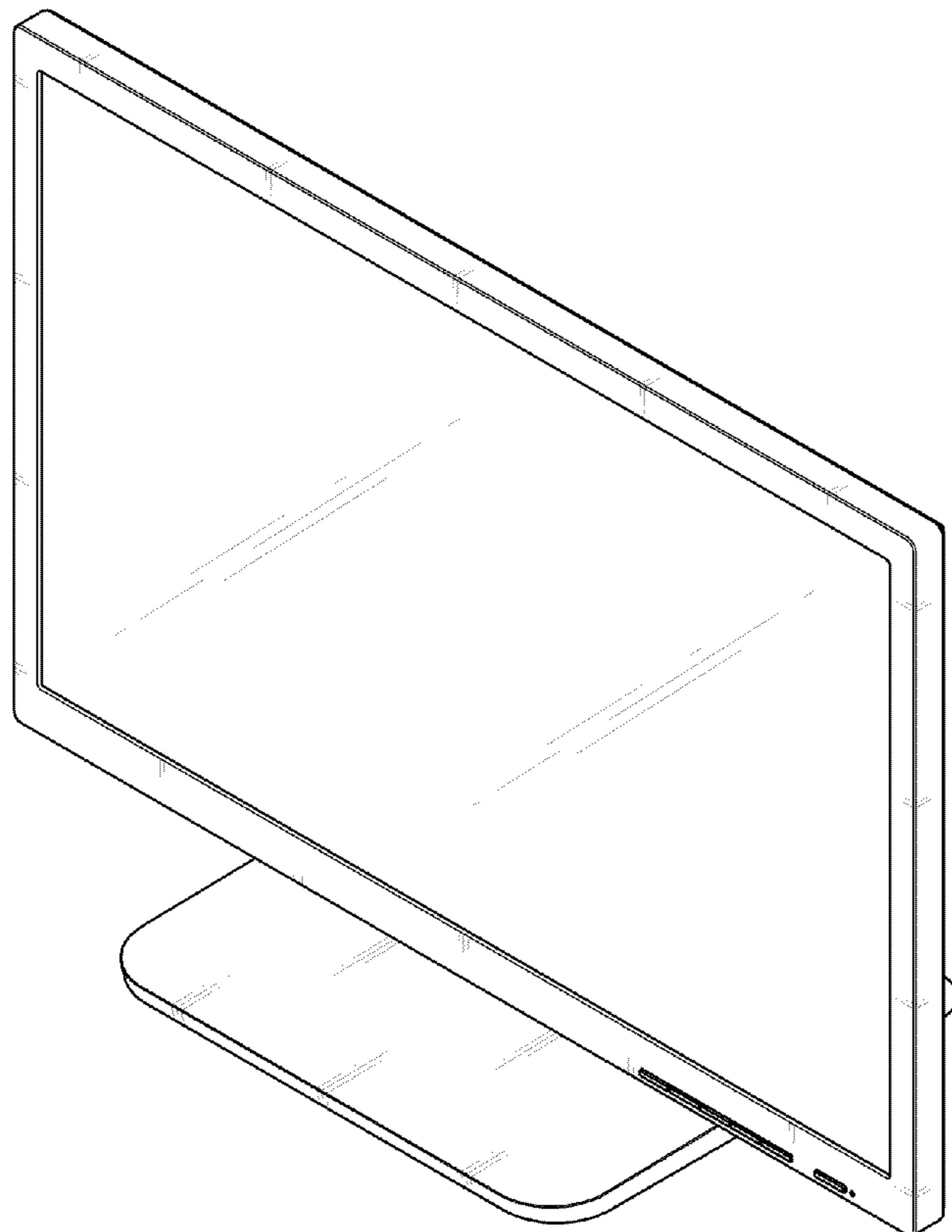


FIG. 1

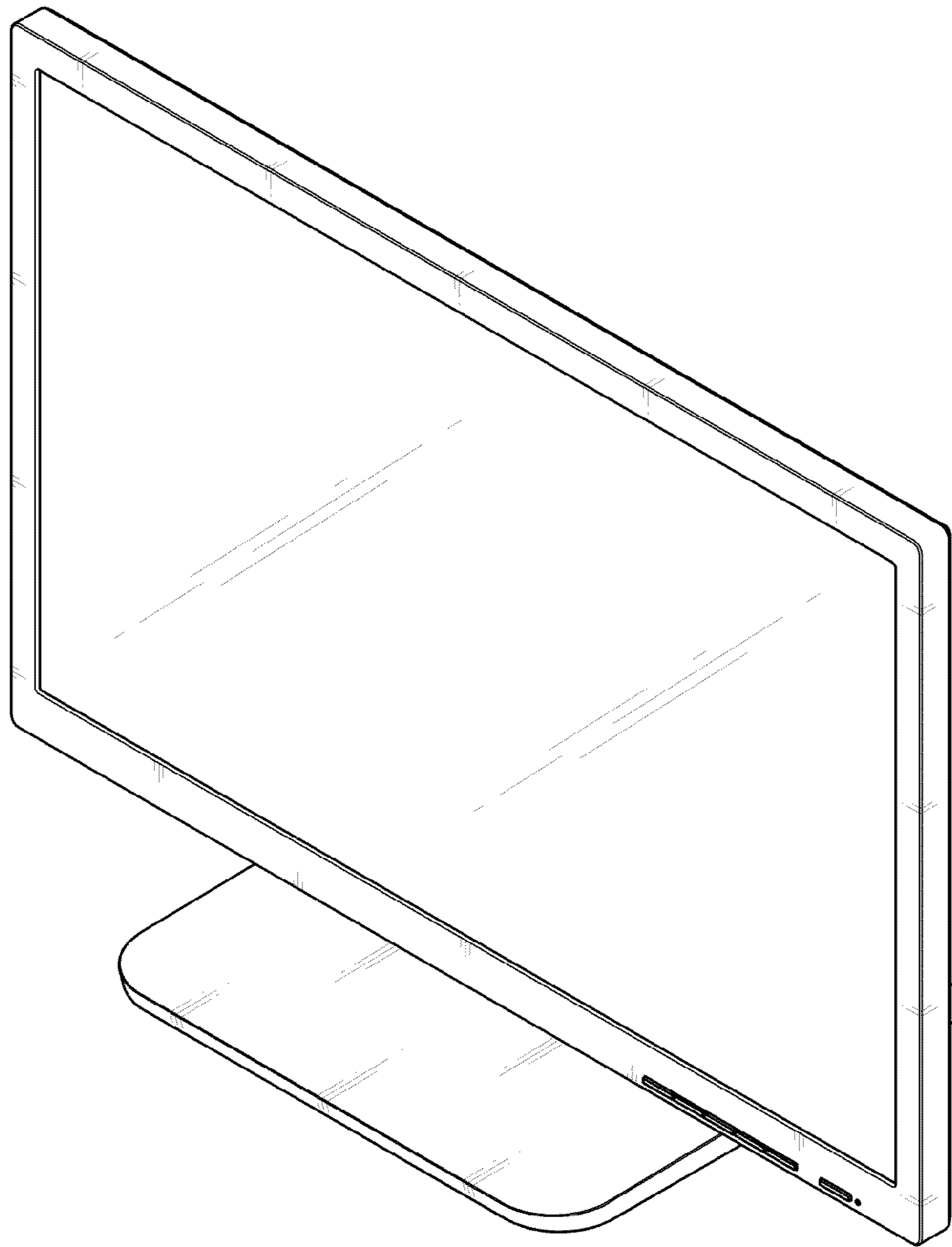


FIG. 2

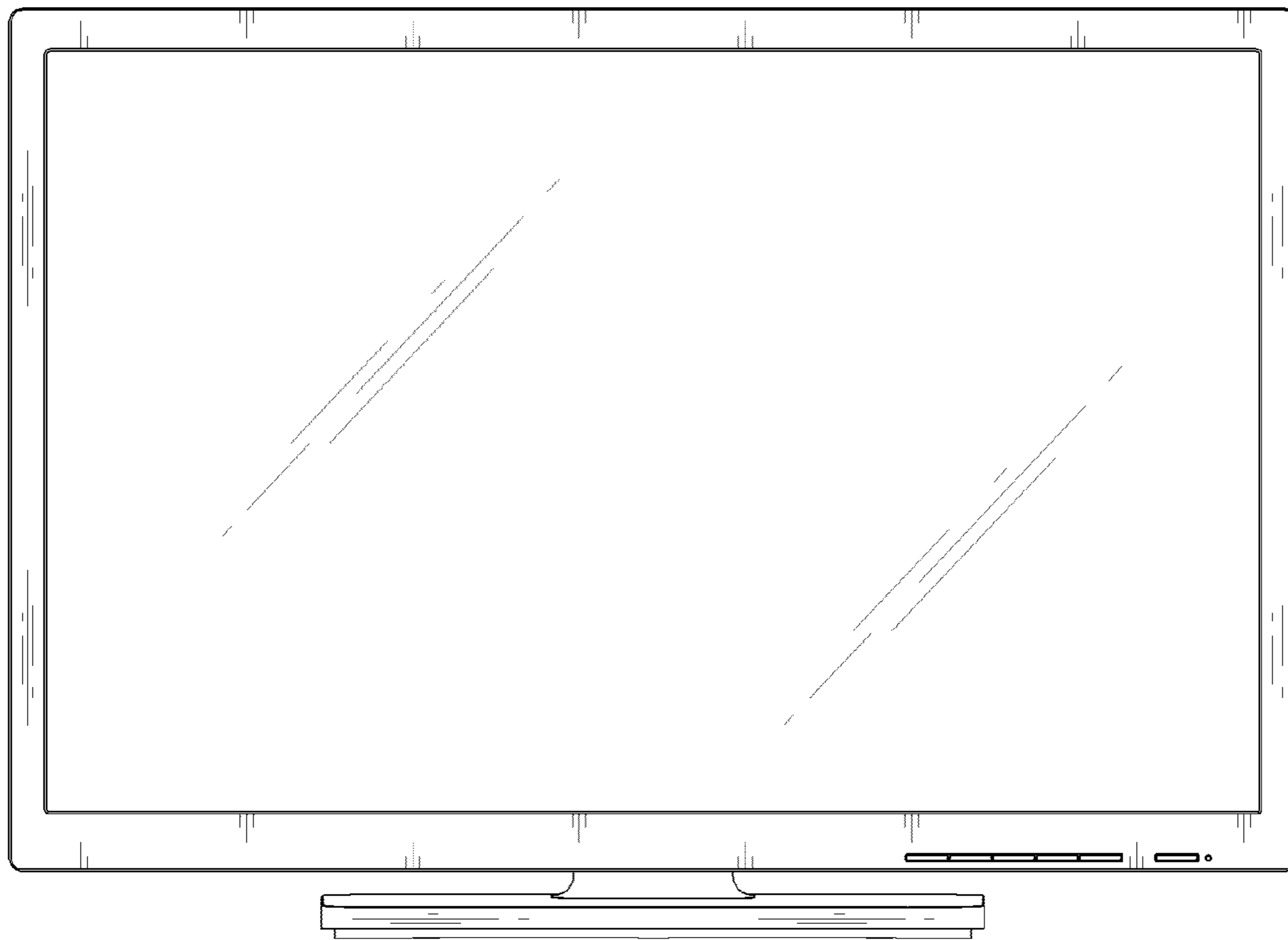


FIG. 3

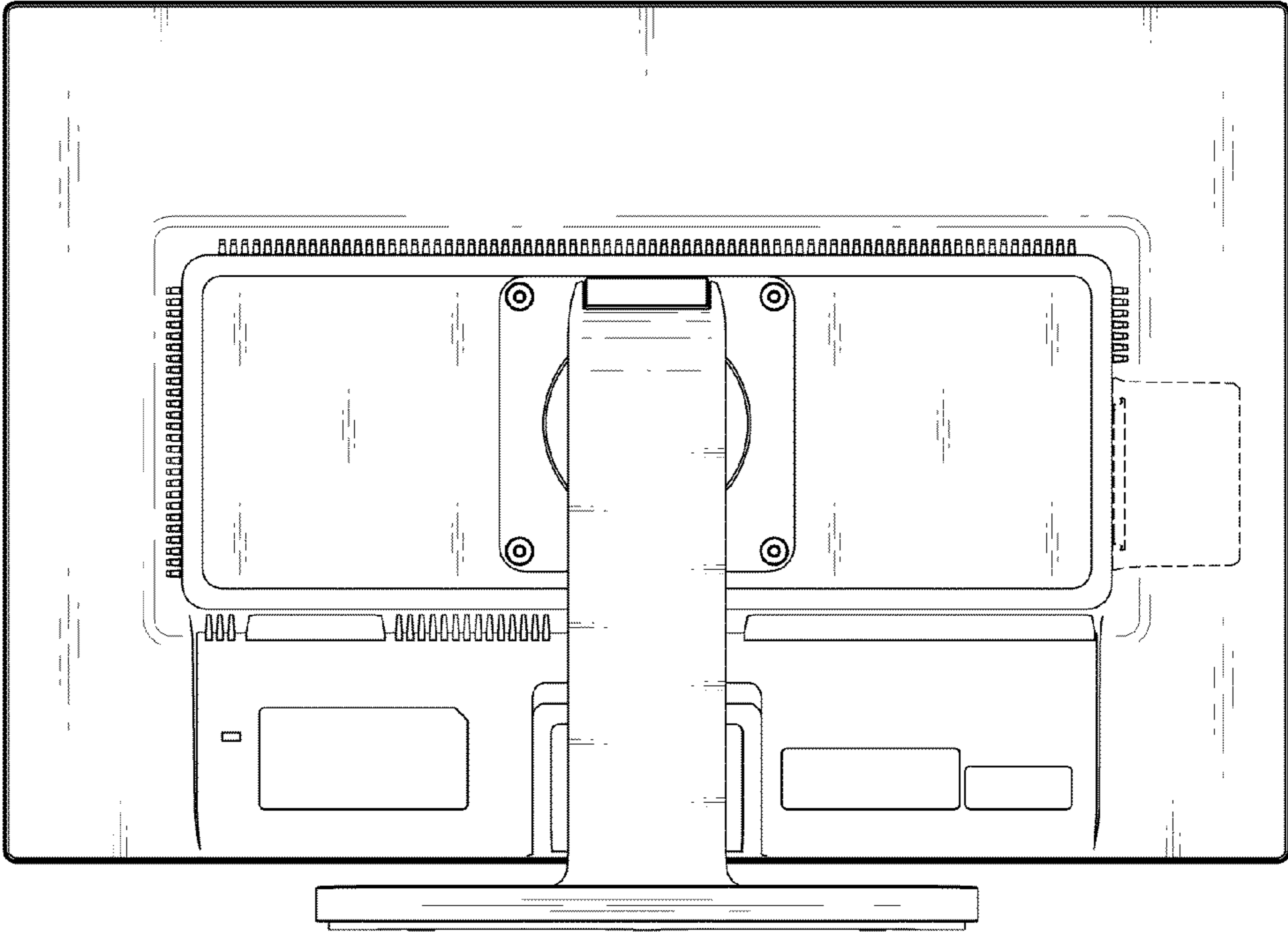


FIG. 4

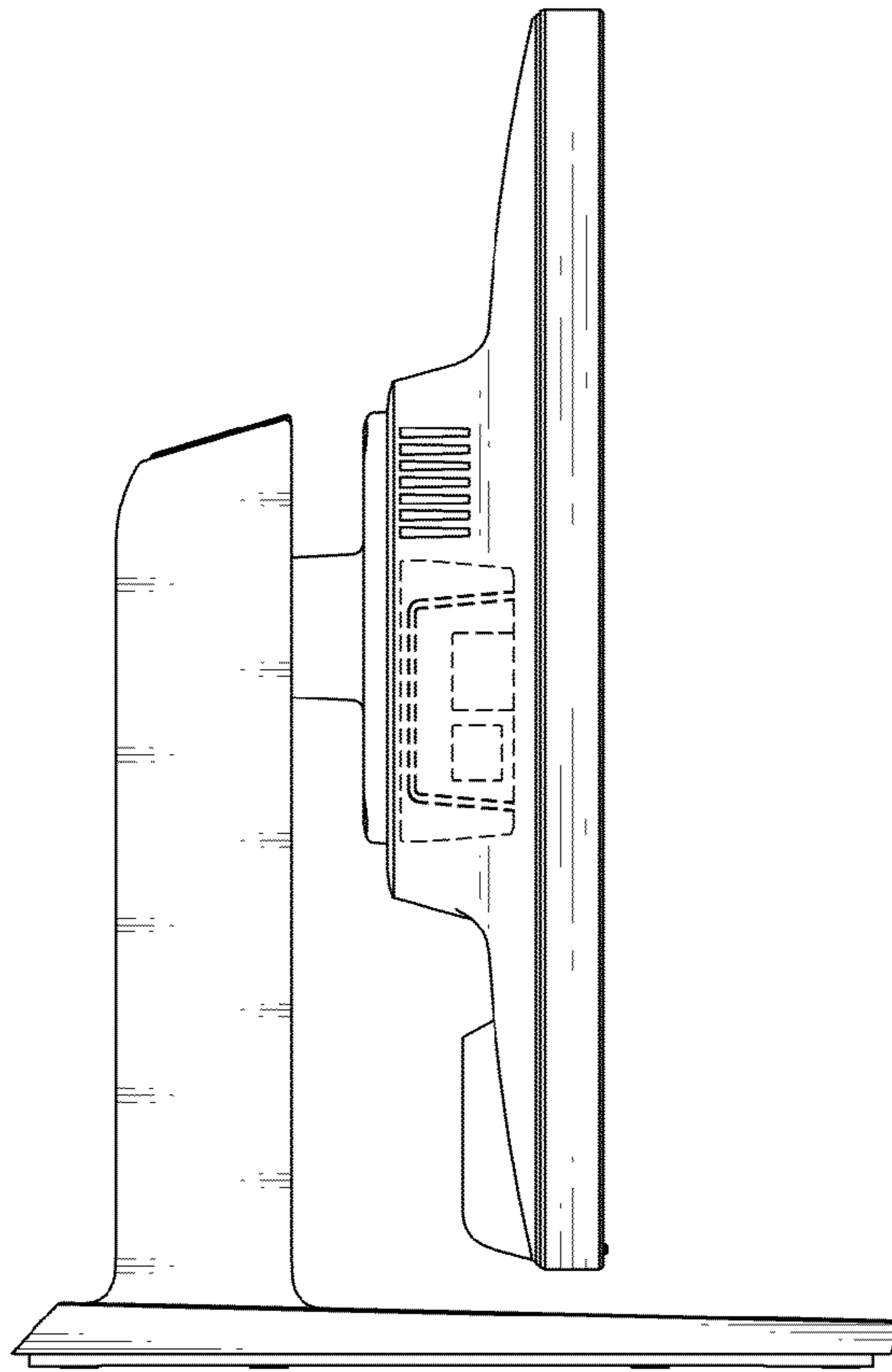


FIG. 5

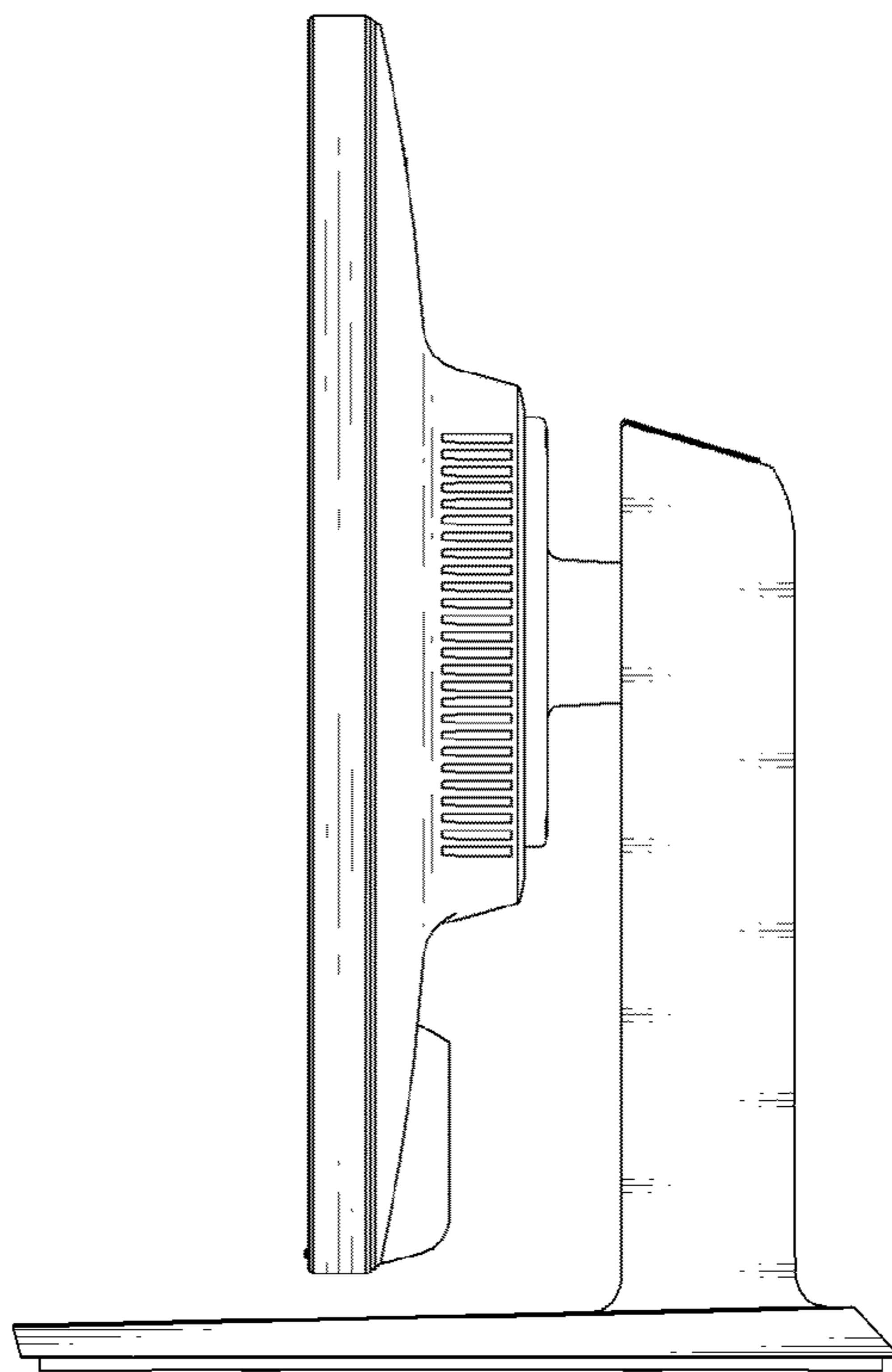


FIG. 6

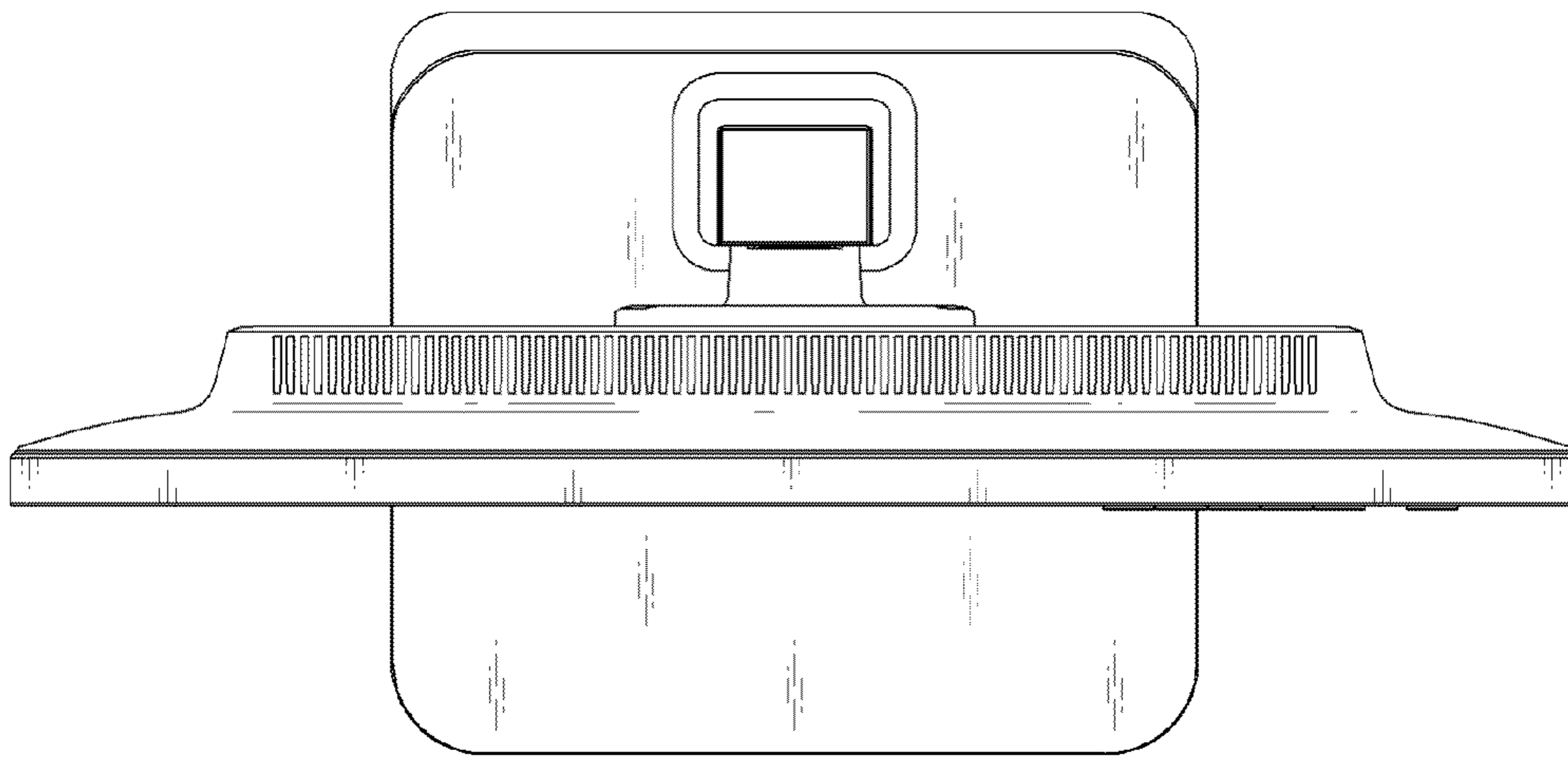


FIG. 7

