

US00D732028S

(12) **United States Design Patent**  
**Kim et al.**

(10) **Patent No.:** **US D732,028 S**  
(45) **Date of Patent:** **\*\* Jun. 16, 2015**

(54) **HEAD-MOUNTED DISPLAY DEVICE**

(71) Applicant: **Samsung Electronics Co., Ltd.**,  
Suwon-si (KR)

(72) Inventors: **Minsoo Kim**, Seoul (KR); **Yongseok Bang**,  
Yongin-si (KR); **Jinsoo Kim**, Yongin-si (KR)

(73) Assignee: **SAMSUNG ELECTRONICS CO., LTD.**,  
Suwon-Si (KR)

(\*\*) Term: **14 Years**

(21) Appl. No.: **29/511,254**

(22) Filed: **Dec. 9, 2014**

(51) **LOC (10) Cl.** ..... **14-02**

(52) **U.S. Cl.**  
USPC ..... **D14/372**

(58) **Field of Classification Search**  
USPC ..... D14/372, 496, 432, 371, 125, 126, 129,  
D14/299; D16/300-342; 351/158, 153, 144;  
345/7-9, 905; 455/344; 348/115, 53,  
348/121, 739  
CPC ..... G02B 27/017; G02B 27/0158; G02B  
27/0161; G02B 27/0181; G02B 27/0185;  
G02B 27/0189  
See application file for complete search history.

5,880,773 A \* 3/1999 Suzuki ..... 348/115  
6,050,717 A \* 4/2000 Kosugi et al. .... 700/17  
D427,982 S \* 7/2000 Ishii ..... D14/372  
D440,967 S \* 4/2001 Jung ..... D14/372  
D444,155 S \* 6/2001 Morooka et al. .... D14/496  
D513,032 S \* 12/2005 Diamantidis ..... D16/300  
7,124,425 B1 \* 10/2006 Anderson et al. .... 725/68  
D645,862 S \* 9/2011 Paul ..... D14/372  
D687,434 S \* 8/2013 Serota ..... D14/372  
D695,738 S \* 12/2013 Kumagai et al. .... D14/372  
D695,739 S \* 12/2013 Kumagai et al. .... D14/372  
D701,206 S \* 3/2014 Luckey et al. .... D14/372  
D702,234 S \* 4/2014 Pombo et al. .... D14/372  
D704,706 S \* 5/2014 Serota ..... D14/372  
D709,880 S \* 7/2014 Kim et al. .... D14/372  
D719,953 S \* 12/2014 Nokuo et al. .... D14/372

\* cited by examiner

*Primary Examiner* — Austin Murphy

(74) *Attorney, Agent, or Firm* — McAndrews Held & Malloy, Ltd.

(57) **CLAIM**

The ornamental design for a head-mounted display device, as shown and described.

**DESCRIPTION**

FIG. 1 is a top right front perspective view of a head-mounted display device showing our new design;  
FIG. 2 is a bottom left rear perspective view thereof;  
FIG. 3 is a front elevation view thereof;  
FIG. 4 is a rear elevation view thereof;  
FIG. 5 is a left side elevation view thereof;  
FIG. 6 is a right side elevation view thereof;  
FIG. 7 is a top plan view thereof; and,  
FIG. 8 is a bottom plan view thereof.  
The dashed broken lines represent unclaimed portions of the head-mounted display device and form no part of the claimed design.

**1 Claim, 8 Drawing Sheets**

(56) **References Cited**

U.S. PATENT DOCUMENTS

D338,514 S \* 8/1993 Holmes ..... D14/372  
D363,482 S \* 10/1995 Robinson et al. .... D14/372  
D369,595 S \* 5/1996 Kober et al. .... D14/372  
D370,909 S \* 6/1996 Oikawa et al. .... D14/372  
D374,002 S \* 9/1996 Bassett et al. .... D14/372  
D375,495 S \* 11/1996 MacIness et al. .... D14/372  
D380,032 S \* 6/1997 Kobayashi et al. .... D14/372  
D394,649 S \* 5/1998 Pombo ..... D14/372

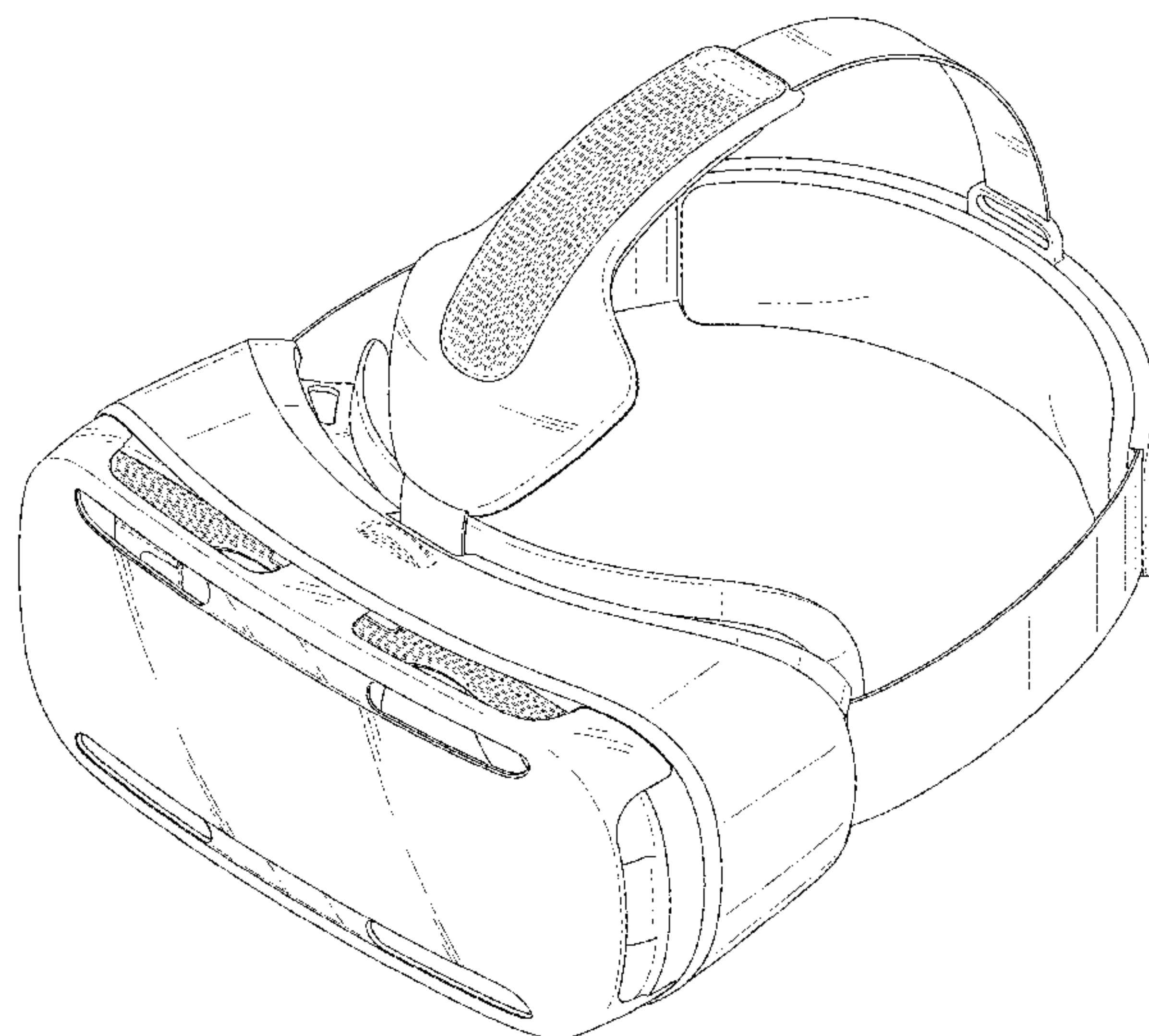


FIG. 1

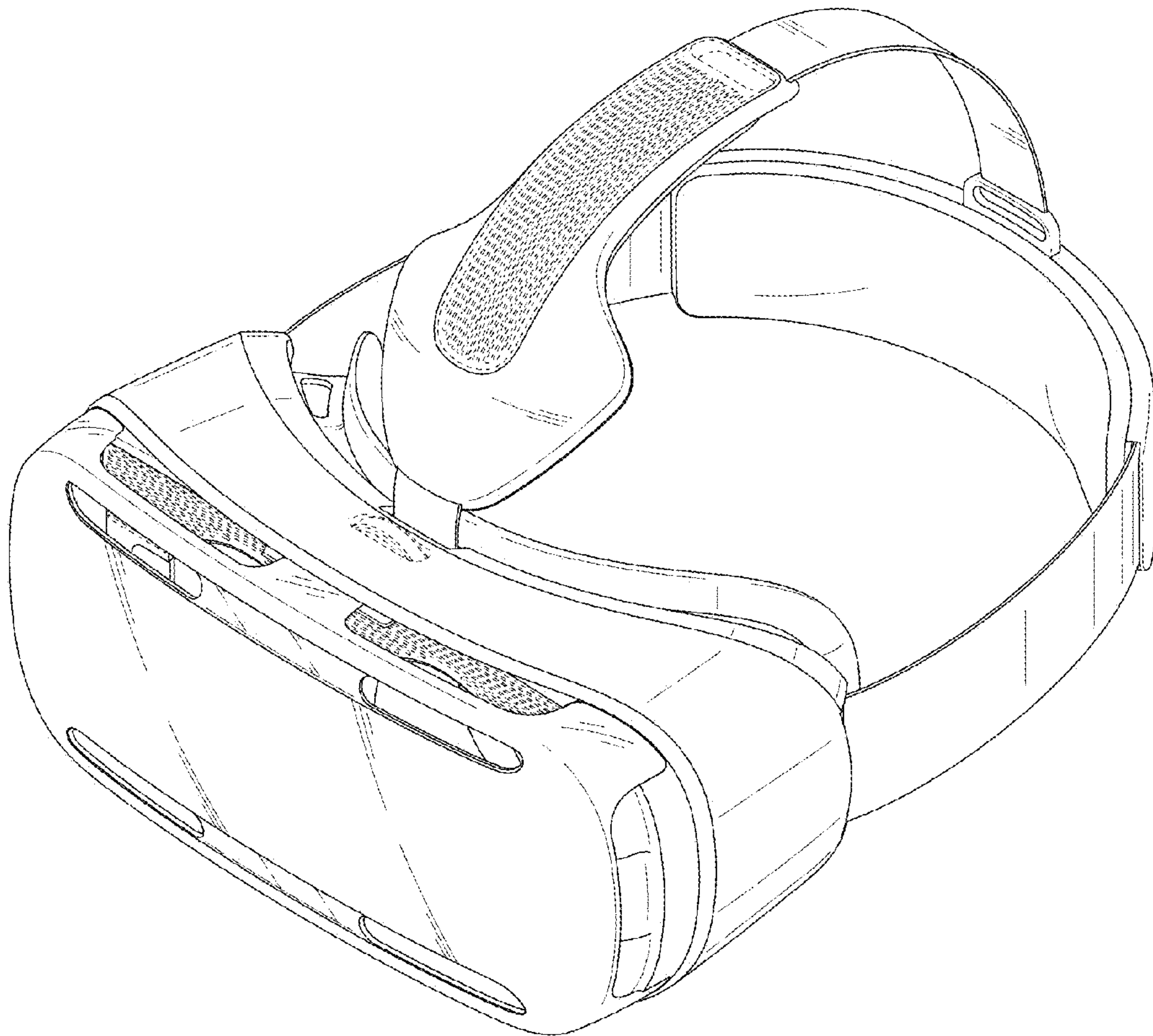


FIG. 2

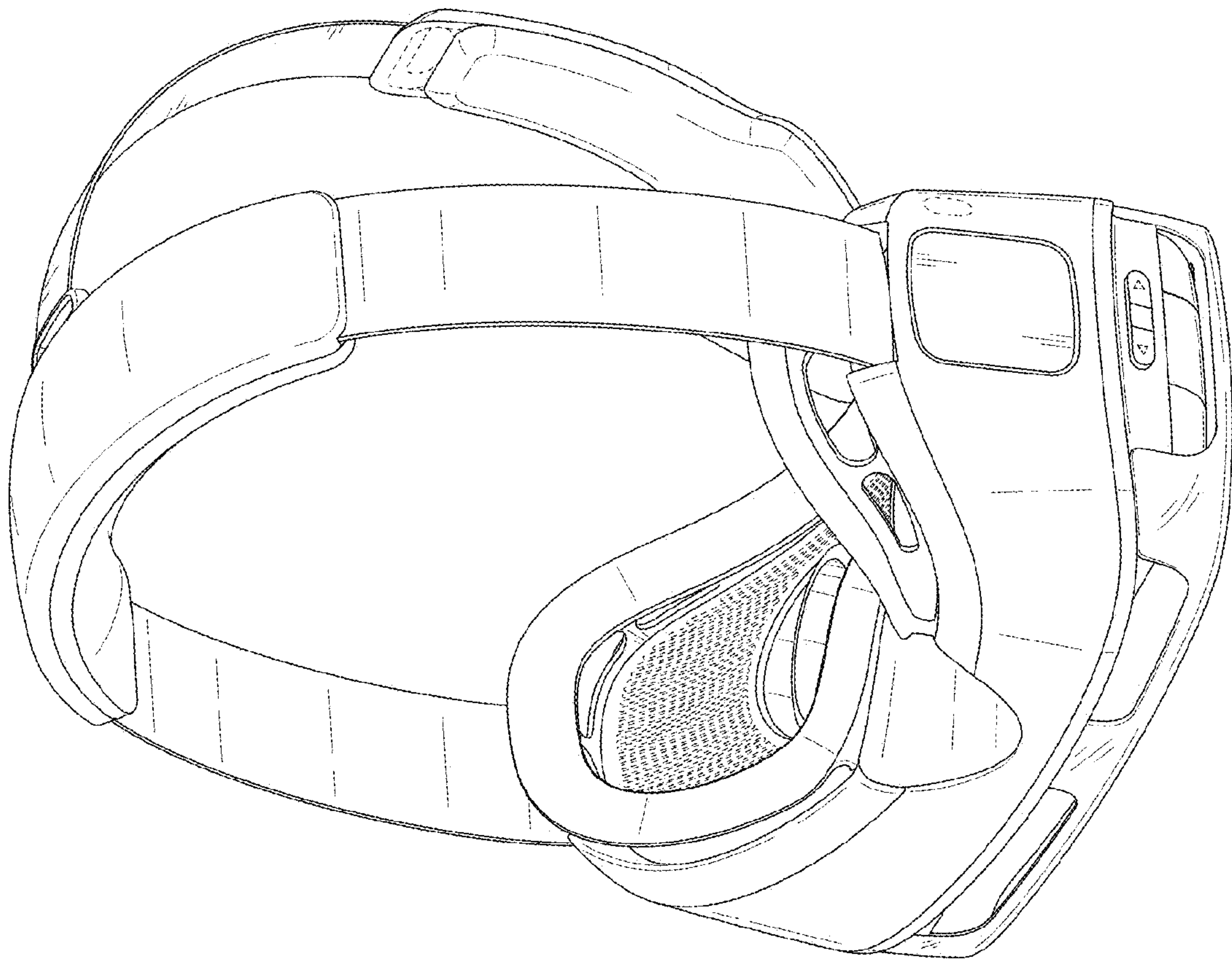




FIG. 3

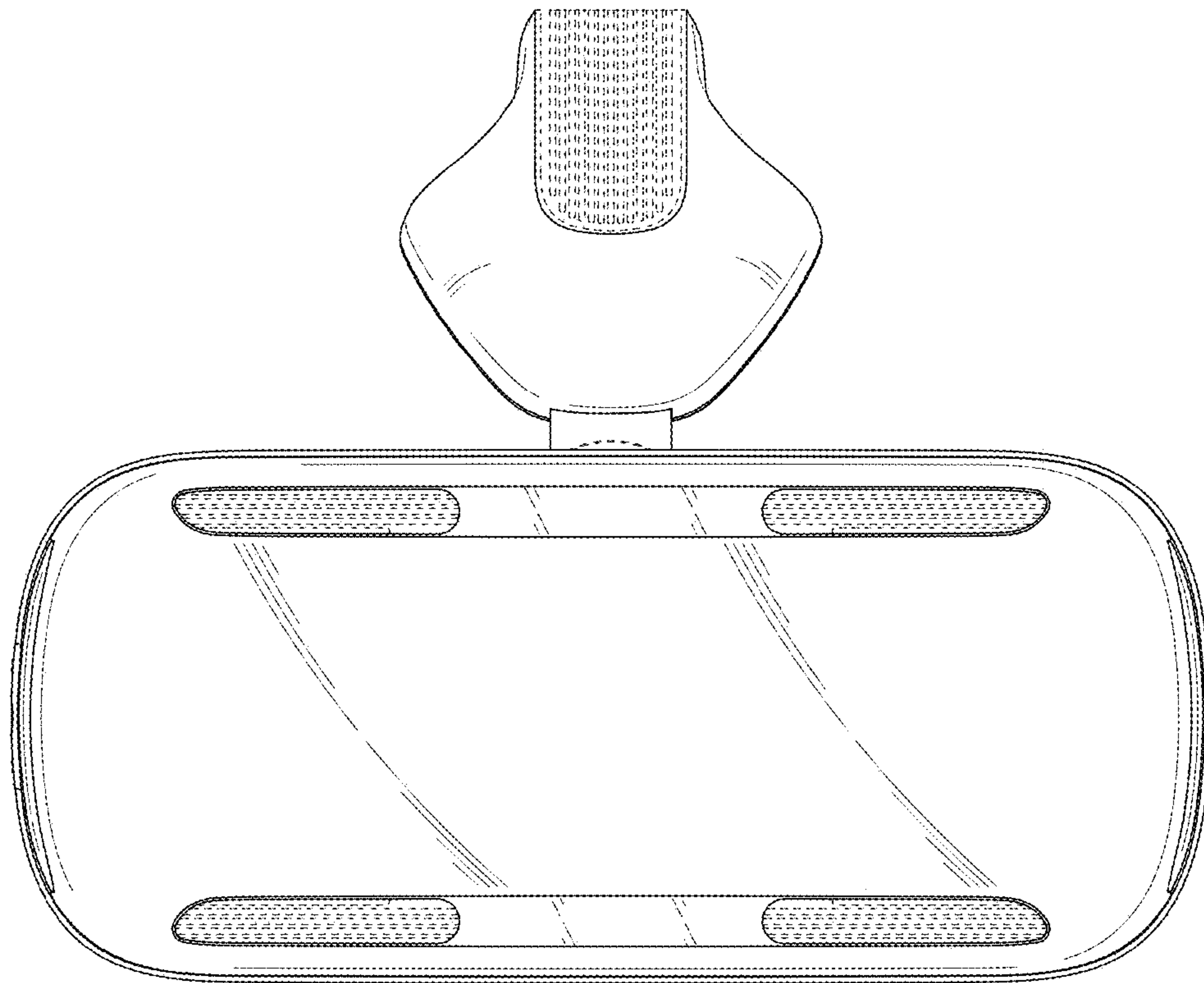


FIG. 4

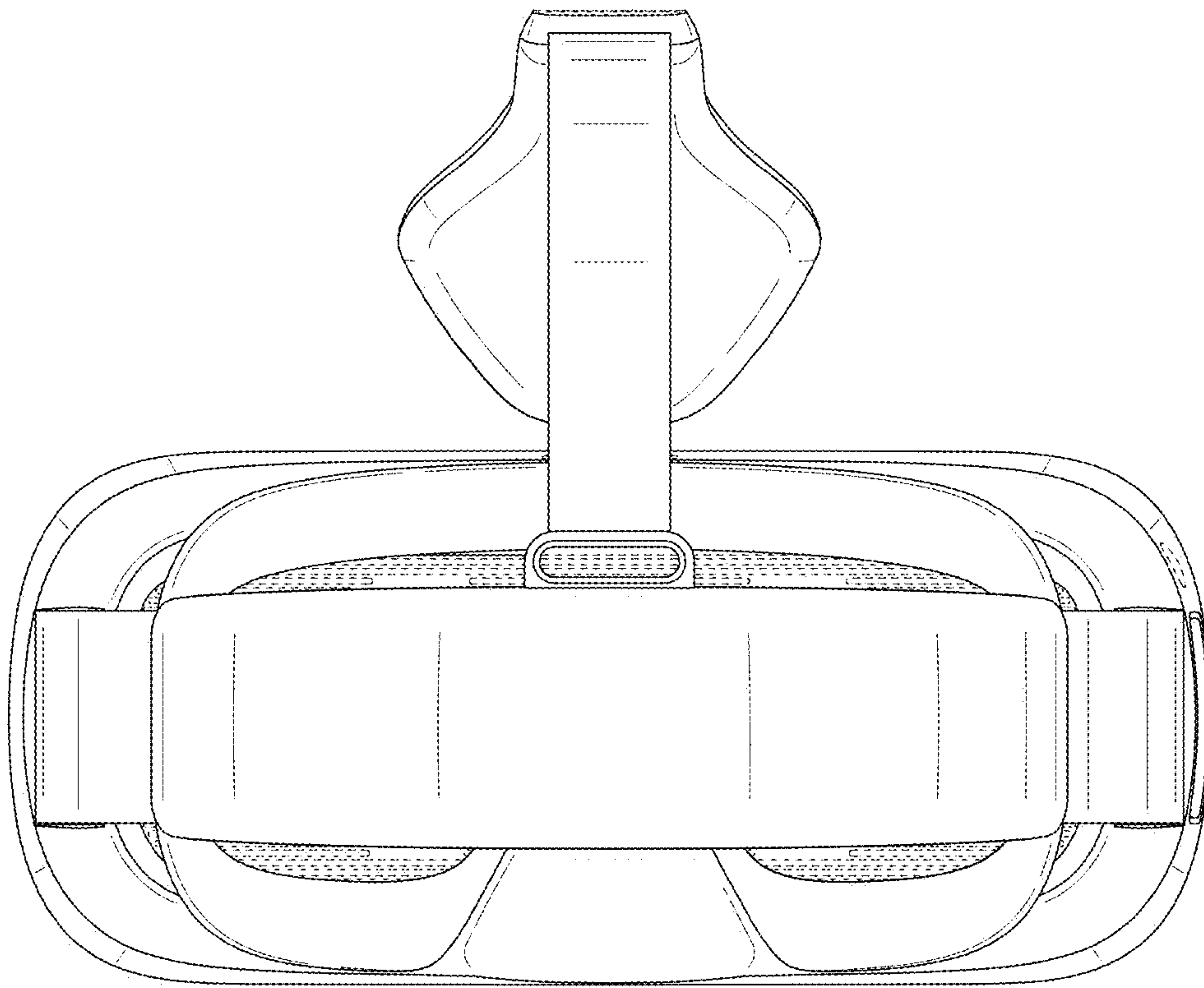


FIG. 5

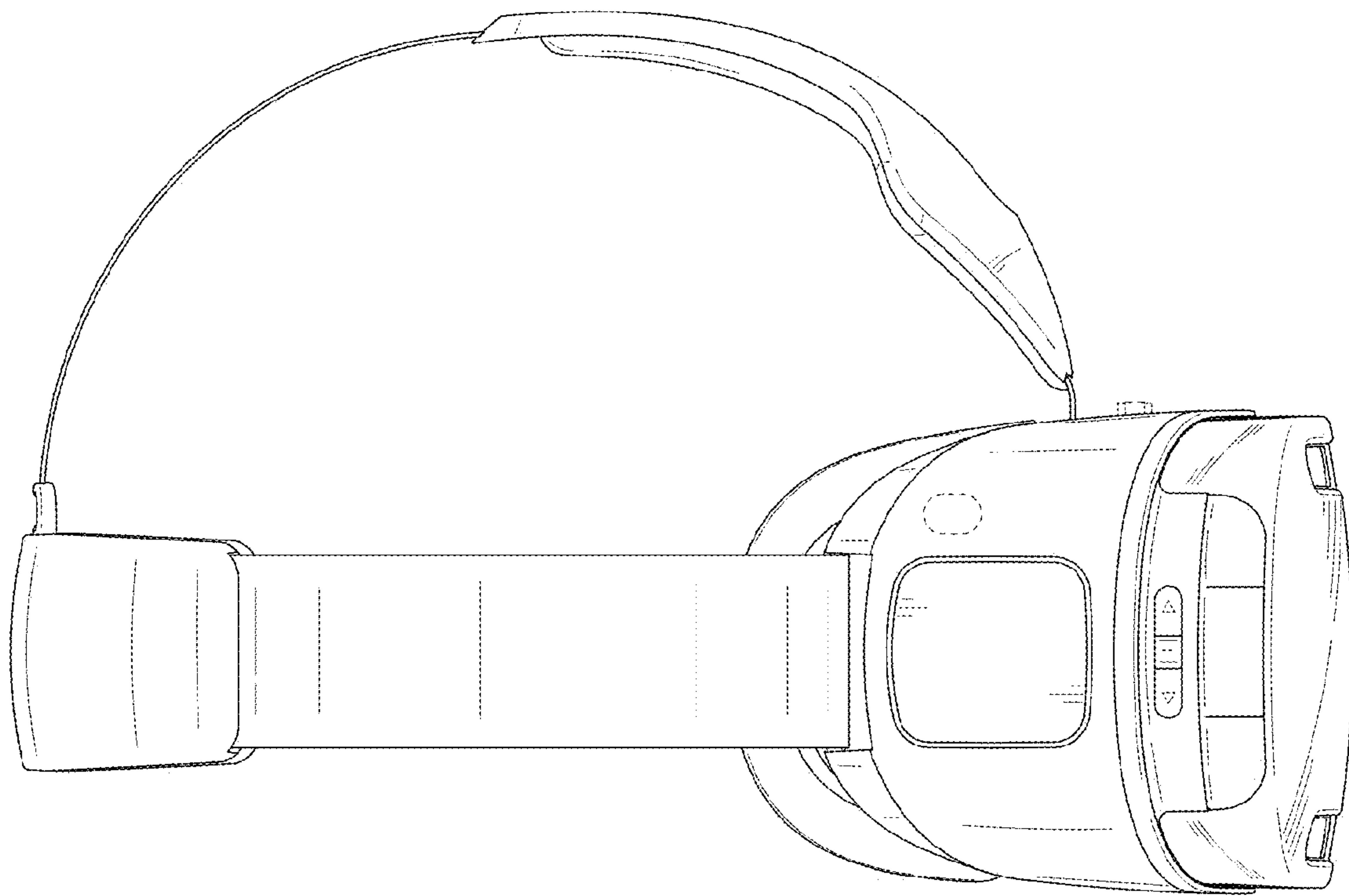


FIG. 6

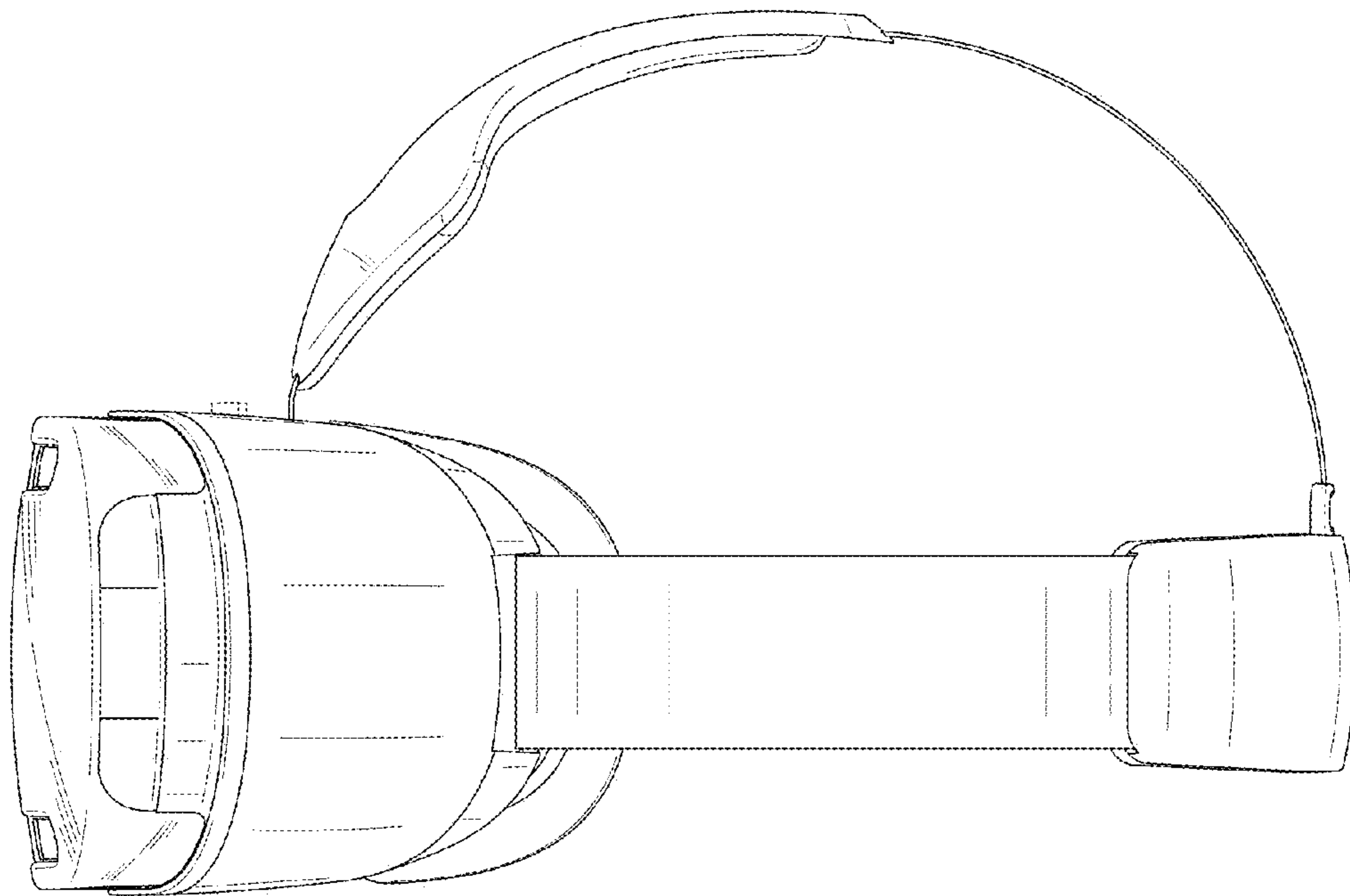


FIG. 7

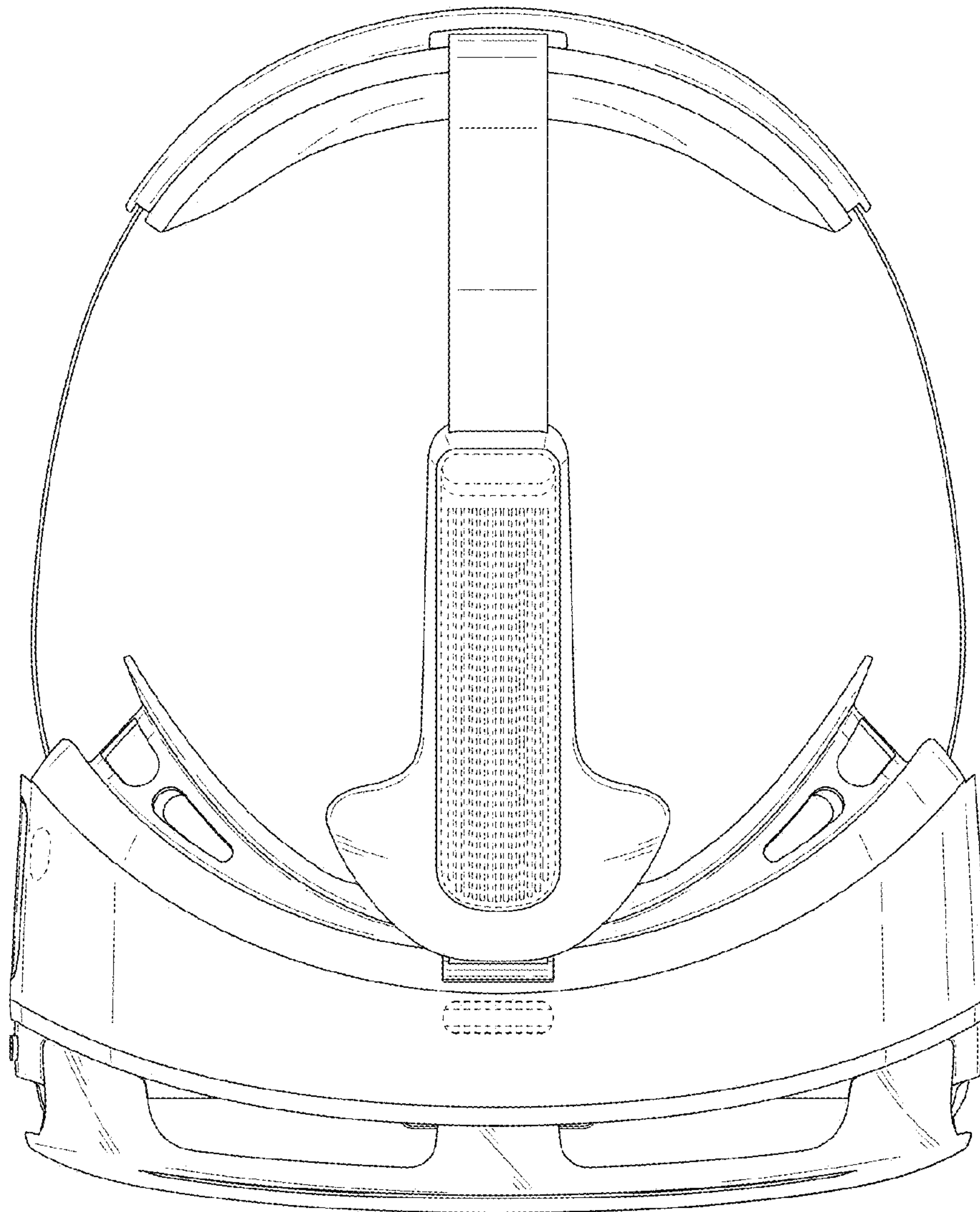




FIG. 8

