



US00D732025S

(12) **United States Design Patent**
Heinrich et al.

(10) **Patent No.:** **US D732,025 S**
(45) **Date of Patent:** **** Jun. 16, 2015**

- (54) **WEARABLE DISPLAY DEVICE**
- (71) Applicant: **Google Inc.**, Mountain View, CA (US)
- (72) Inventors: **Mitchell Joseph Heinrich**, San Francisco, CA (US); **Eliot Kim**, Cupertino, CA (US)
- (73) Assignee: **Google Inc.**, Mountain View, CA (US)
- (**) Term: **14 Years**
- (21) Appl. No.: **29/495,517**
- (22) Filed: **Jul. 1, 2014**

- D624,111 S 9/2010 Knoop
- D633,553 S 3/2011 Cheng
- D633,939 S 3/2011 Puentes et al.
- D638,462 S 5/2011 Bumgardner et al.
- D667,865 S 9/2012 McLaughlin
- D710,427 S * 8/2014 Kim et al. D16/300
- D711,373 S * 8/2014 Lee et al. D14/372

(Continued)

Primary Examiner — Austin Murphy
(74) *Attorney, Agent, or Firm* — Lerner, David, Littenberg, Krumholz & Mentlik, LLP

(57) **CLAIM**

The ornamental design for a wearable display device, as shown and described.

Related U.S. Application Data

- (62) Division of application No. 29/433,054, filed on Sep. 25, 2012, now Pat. No. Des. 711,456.
- (51) **LOC (10) Cl.** **14-02**
- (52) **U.S. Cl.**
USPC **D14/372**
- (58) **Field of Classification Search**
USPC D14/372, 496, 432, 371, 125, 126, 129, D14/299; D16/300–342; 351/158, 153, 144; 345/7–9, 905; 455/344; 348/115, 53, 348/121, 739
CPC G02B 27/017; G02B 27/0158; G02B 27/0161; G02B 27/0181; G02B 27/0185; G02B 27/0189
See application file for complete search history.

DESCRIPTION

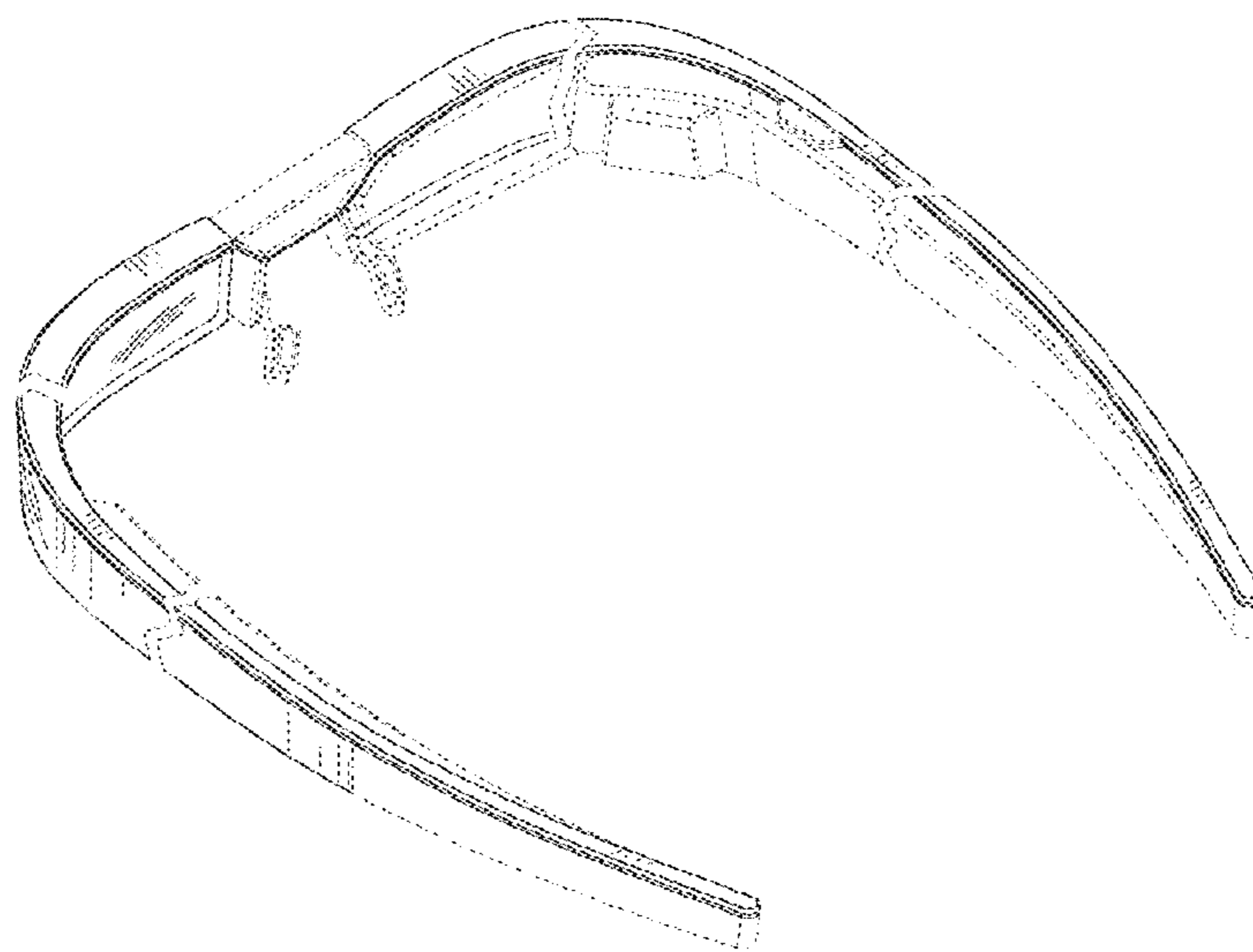
FIG. 1 is a front perspective view of a wearable display device;
 FIG. 2 is a front elevation view of the wearable display device;
 FIG. 3 is a back elevation view of the wearable display device;
 FIG. 4 is a right elevation view of the wearable display device;
 FIG. 5 is a left elevation view of the wearable display device;
 FIG. 6 is a top elevation view of the wearable display device;
 FIG. 7 is a bottom elevation view of the wearable display device; and,
 FIG. 8 a rear perspective view of the wearable display device.
 Broken lines are environmental only and form no part of the claimed design.
 Dash-dot lines adjacent un-shaded areas represent bounds of the claimed design and form no part of the claimed design themselves.
 The pairs of closely adjacent, spaced jagged broken lines in the drawings form no part of the claimed design and the portions between such pairs of jagged broken lines are broken away to disclose indeterminate length. Portions of the design that may be visible between the jagged lines have been removed for clarity.

(56) **References Cited**

U.S. PATENT DOCUMENTS

- D203,136 S 12/1965 Shindler
- D204,564 S 4/1966 Carmichael
- D394,872 S 6/1998 Atabeyki
- D404,053 S * 1/1999 Hsieh D16/315
- D437,340 S * 2/2001 Hsieh Yeh D16/315
- D565,633 S 4/2008 Doolan

1 Claim, 6 Drawing Sheets



(56)

References Cited

U.S. PATENT DOCUMENTS

| | | | | | | | | | | | |
|------------|---|---------|---------------|-------|---------|------------------|---|---------|----------------|-------|---------|
| D716,807 S | * | 11/2014 | Yeom et al. | | D14/372 | D719,567 S | * | 12/2014 | Kim et al. | | D14/372 |
| D716,808 S | * | 11/2014 | Yeom et al. | | D14/372 | D719,952 S | * | 12/2014 | Kim et al. | | D14/372 |
| D718,305 S | * | 11/2014 | Olsson et al. | | D14/372 | 2004/0113867 A1* | | 6/2004 | Tomine et al. | | 345/8 |
| D719,157 S | * | 12/2014 | Lee et al. | | D14/372 | 2005/0168824 A1 | | 8/2005 | Travers et al. | | |
| | | | | | | 2005/0219152 A1 | | 10/2005 | Budd et al. | | |
| | | | | | | 2010/0157433 A1 | | 6/2010 | Mukawa et al. | | |

* cited by examiner

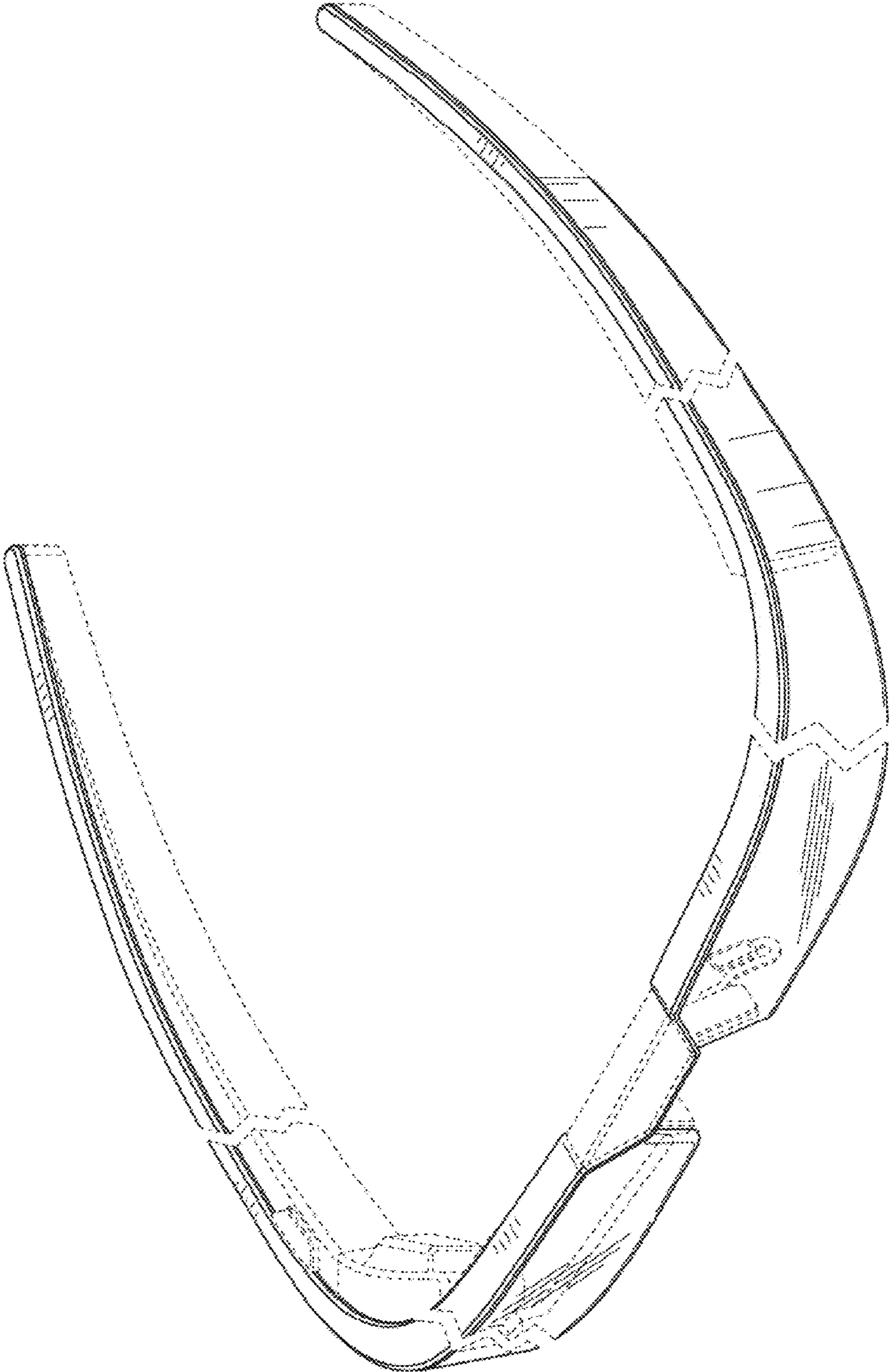


FIG. 1

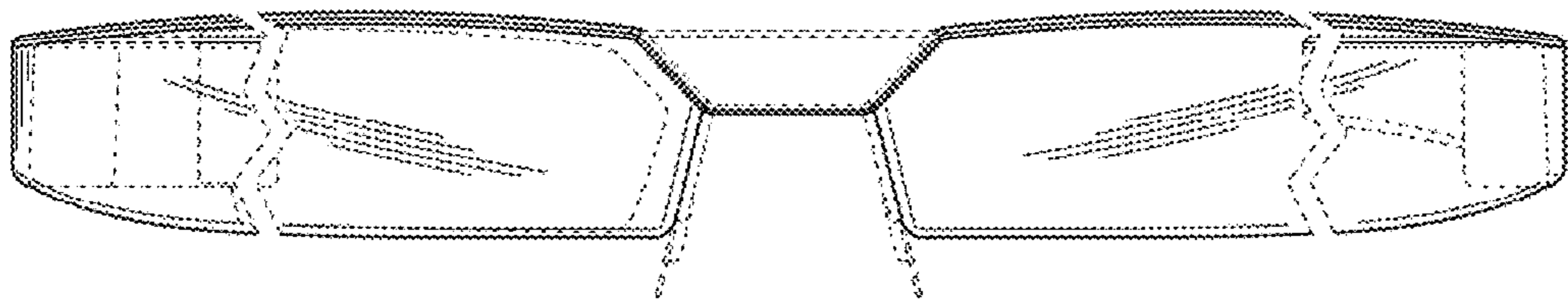


FIG. 2

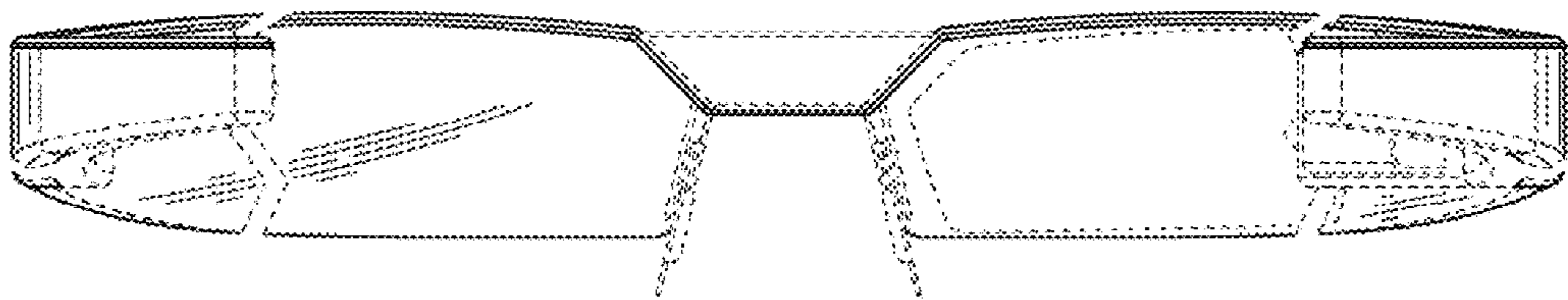


FIG. 3

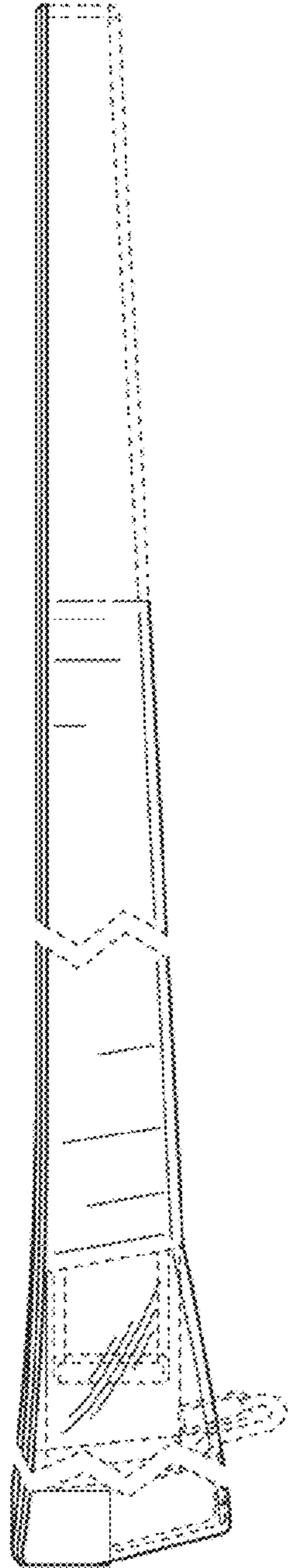


FIG. 4

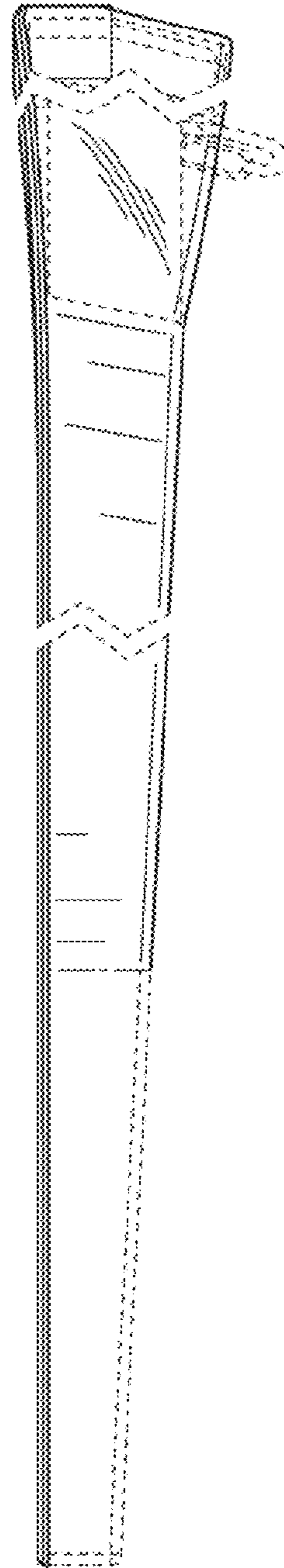


FIG. 5

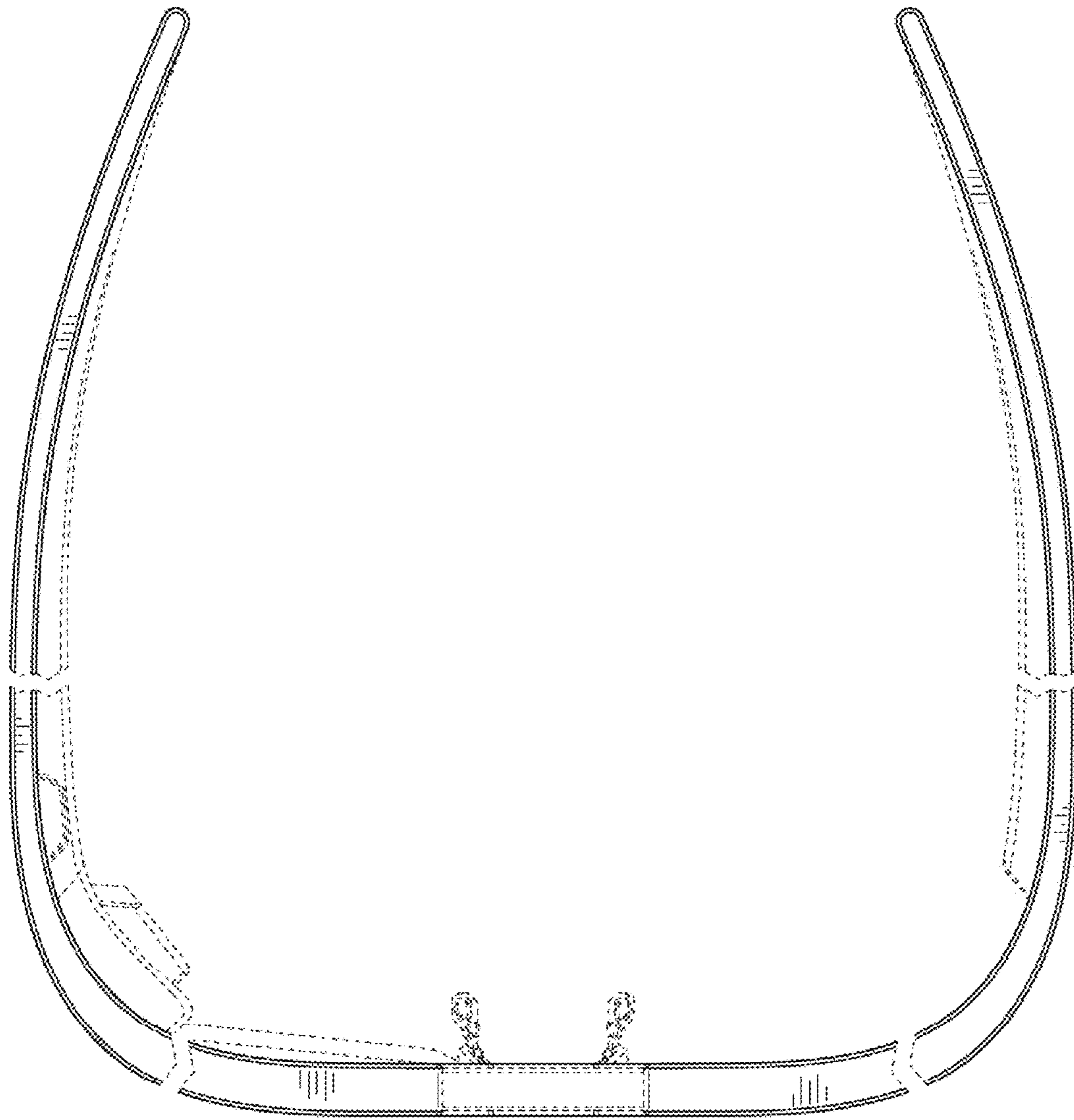


FIG. 6

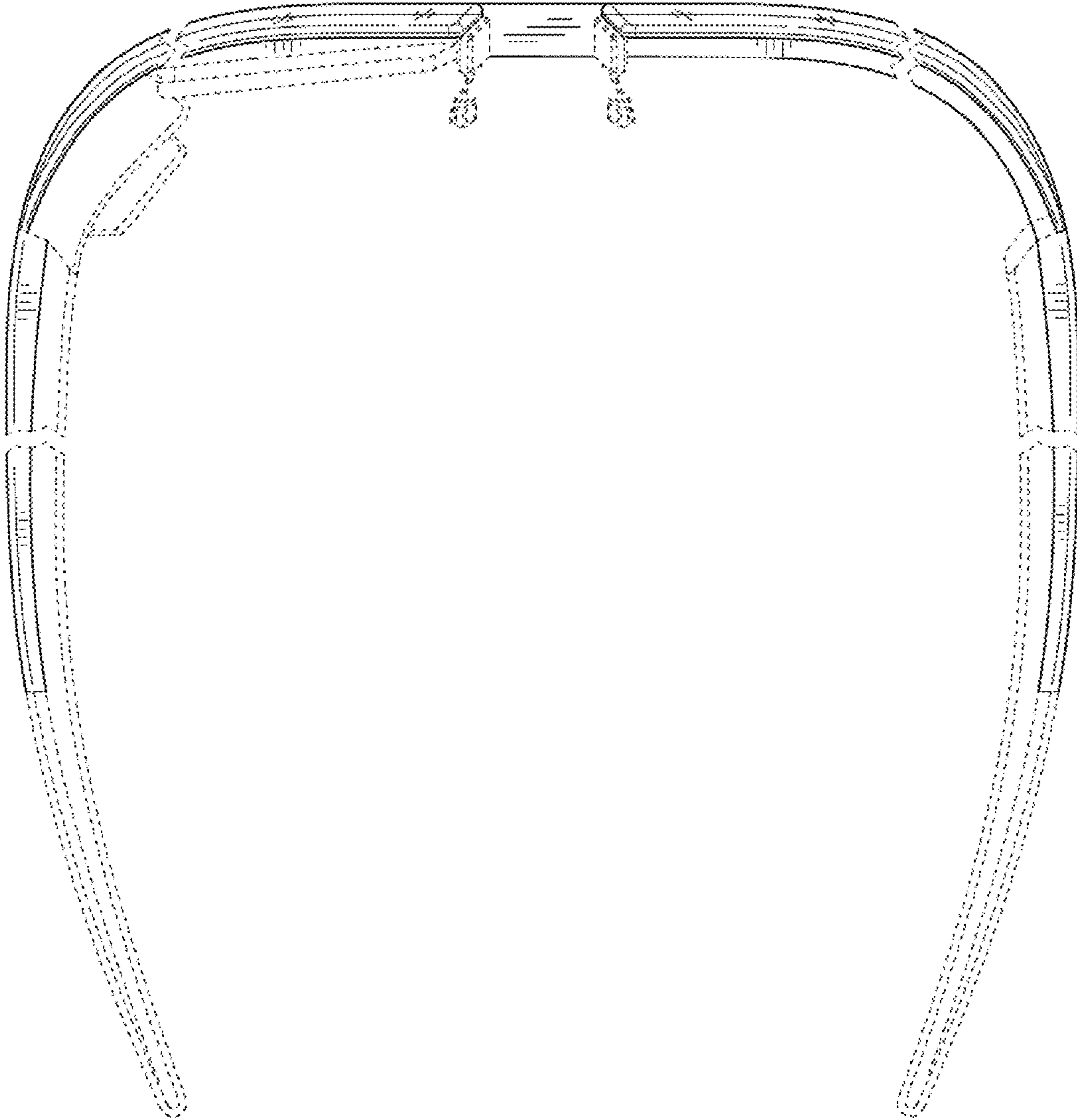


FIG. 7

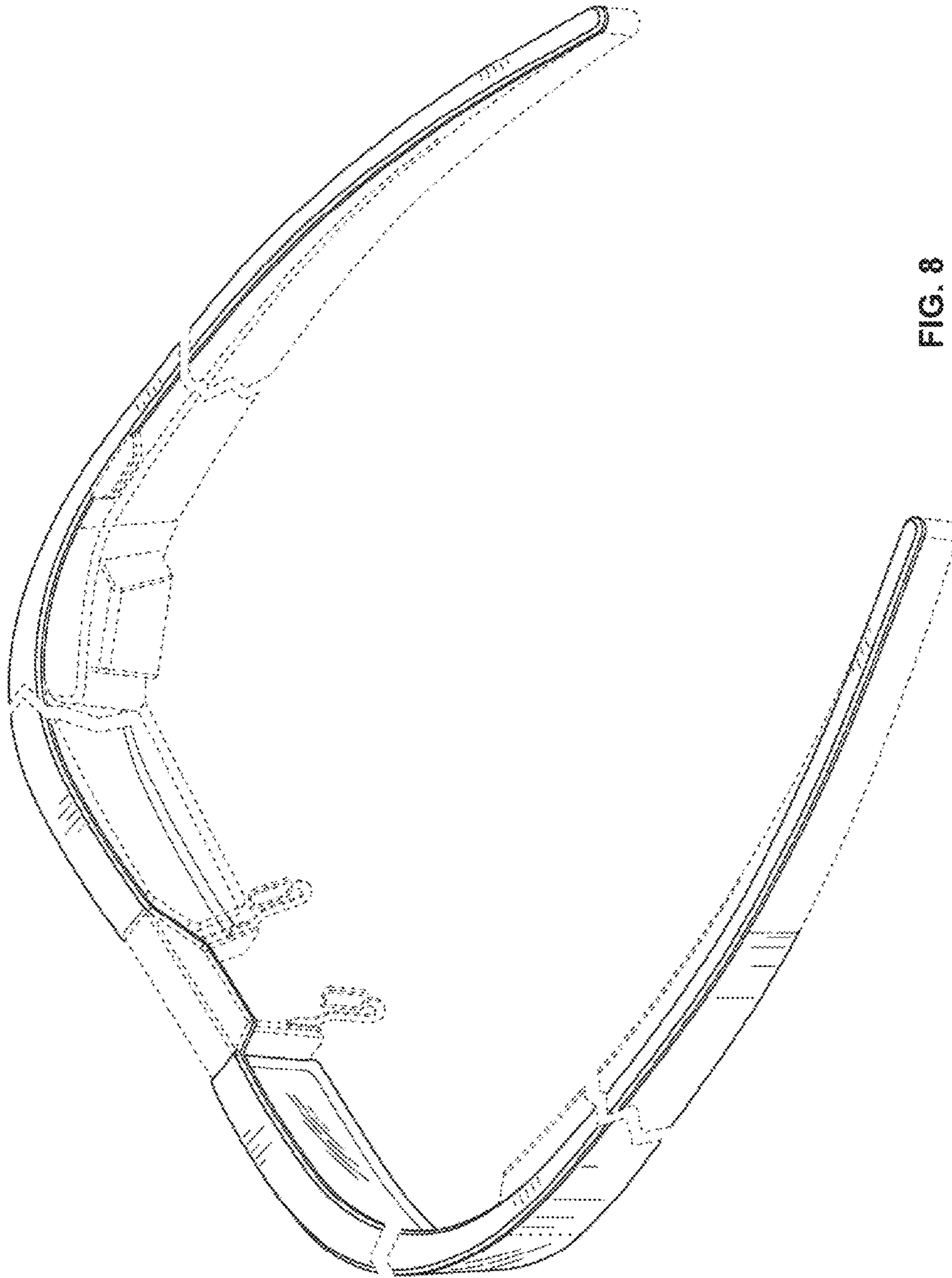


FIG. 8