



US00D732023S

(12) **United States Design Patent**
Asao

(10) **Patent No.:** **US D732,023 S**
(45) **Date of Patent:** **** Jun. 16, 2015**

(54) **WIRELESS RECEIVER**

(71) Applicant: **Panasonic Corporation**, Kadoma-shi, Osaka (JP)

(72) Inventor: **Yu Asao**, Osaka (JP)

(73) Assignee: **Panasonic Intellectual Property Management Co., Ltd.**, Osaka (JP)

(**) Term: **14 Years**

(21) Appl. No.: **29/477,765**

(22) Filed: **Dec. 26, 2013**

(51) **LOC (10) Cl.** **14-02**

(52) **U.S. Cl.**
USPC **D14/358**

(58) **Field of Classification Search**
USPC D14/358, 356, 357, 367, 496, 301, 342, D14/240, 242, 203.3, 137, 157, 159, 183, D14/188; D13/103, 110, 184, 199; D16/221; D10/104; 320/101; 361/724, 361/728, 730
CPC G06F 1/16
See application file for complete search history.

6,891,721 B2 * 5/2005 Huang 361/679.33
D513,611 S * 1/2006 Hibi D14/507
D520,994 S * 5/2006 Weiher et al. D14/356
D529,904 S * 10/2006 Yeo D14/240
D531,178 S * 10/2006 Lee D14/367
D534,184 S * 12/2006 Leija et al. D14/496
D535,651 S * 1/2007 Wong et al. D14/240
D536,692 S * 2/2007 Alwicker et al. D14/188
D542,784 S * 5/2007 Franck et al. D14/240
D551,250 S * 9/2007 Andre et al. D14/484.1
D561,094 S * 2/2008 Sween et al. D13/110
D568,310 S 5/2008 Franck et al.
D583,796 S * 12/2008 Tanaka D14/155
D589,045 S * 3/2009 Lee et al. D14/358
D592,677 S * 5/2009 Sheba et al. D14/496
D612,329 S * 3/2010 Guccione et al. D13/108
D641,343 S 7/2011 Kim et al.
D653,662 S * 2/2012 Park et al. D14/358
D656,496 S * 3/2012 Andre et al. D14/341
D670,681 S * 11/2012 Chang et al. D14/242
D677,623 S * 3/2013 Fitch et al. D13/108
D678,258 S * 3/2013 Seto D14/240

(Continued)

Primary Examiner — Paula Greene
(74) Attorney, Agent, or Firm — Brinks Gilson & Lione

(57) **CLAIM**
I claim the ornamental design for a wireless receiver, as shown and described.

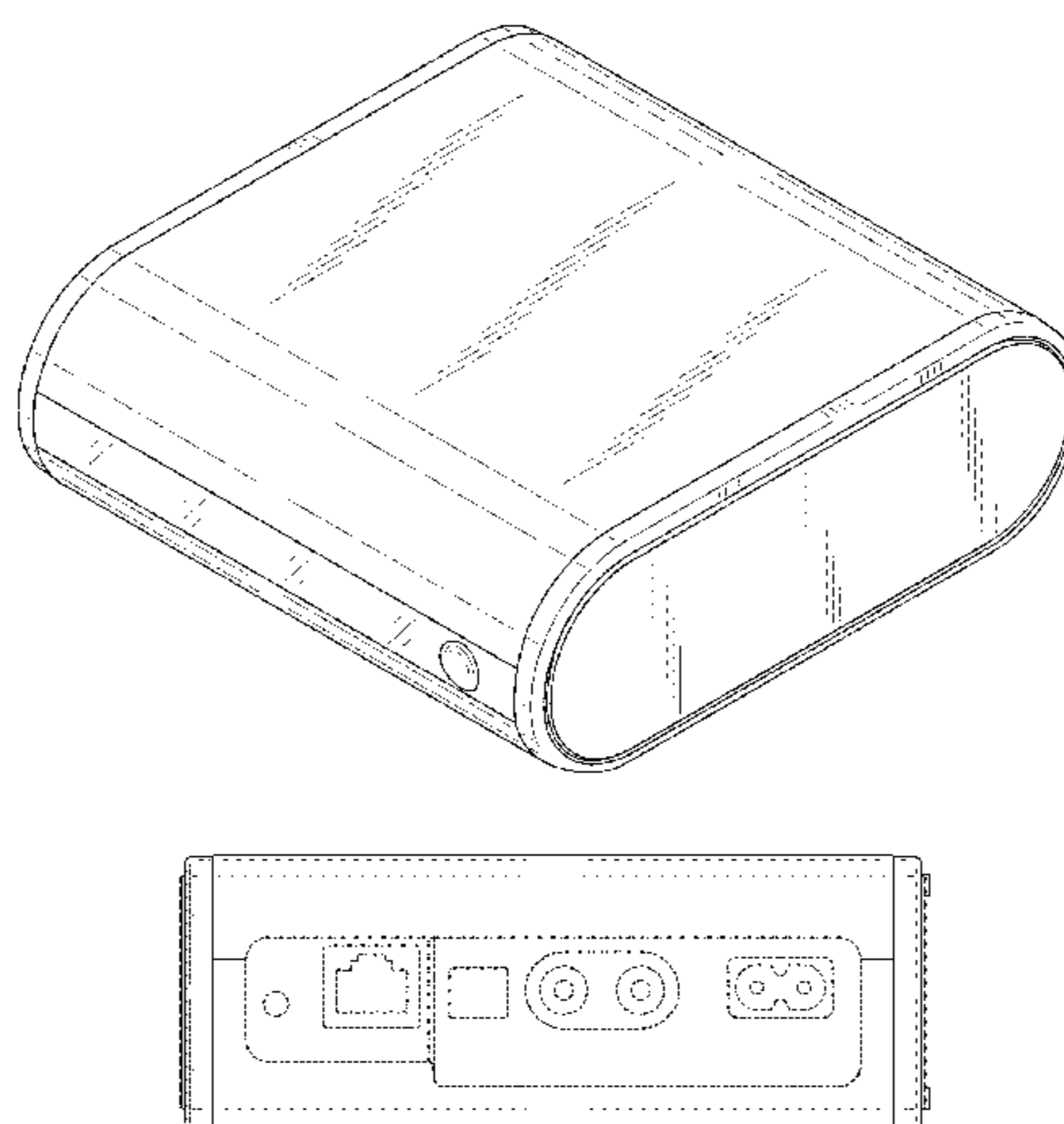
(56) **References Cited**
U.S. PATENT DOCUMENTS

D245,701 S * 9/1977 Kinsinger D16/221
D260,762 S * 9/1981 Peroni D10/103
D309,728 S * 8/1990 Nuttall et al. D14/356
D311,740 S * 10/1990 Wagner D14/358
D322,963 S * 1/1992 Kittirutsunetorn D14/242
5,179,501 A * 1/1993 Ocken et al. 361/709
5,736,271 A * 4/1998 Cisar et al. 429/96
D402,641 S * 12/1998 Heijnen D13/184
D431,230 S * 9/2000 Began D13/184
D441,735 S * 5/2001 Katayama D14/203.7
D445,705 S * 7/2001 Kliegman et al. D10/104.1
D446,143 S * 8/2001 Kliegman et al. D14/240
D490,796 S * 6/2004 Allen D14/507

DESCRIPTION

FIG. 1 is a perspective view of a wireless receiver of the present invention;
FIG. 2 is a front view thereof;
FIG. 3 is rear view thereof;
FIG. 4 is a first side view thereof;
FIG. 5 is a second side view thereof;
FIG. 6 is a top view thereof; and,
FIG. 7 is a bottom view thereof.
The broken lines shown represent unclaimed subject matter and form no part of the claimed design.

1 Claim, 7 Drawing Sheets



US D732,023 S

Page 2

(56)

References Cited

U.S. PATENT DOCUMENTS

D711,428 S *	8/2014	Bang et al.	D14/496
D724,080 S *	3/2015	Lin et al.	D14/356
2005/0041387 A1*	2/2005	Lee	361/685
D706,778 S *	6/2014	Kawasaki et al.	D14/356

* cited by examiner

FIG. 1

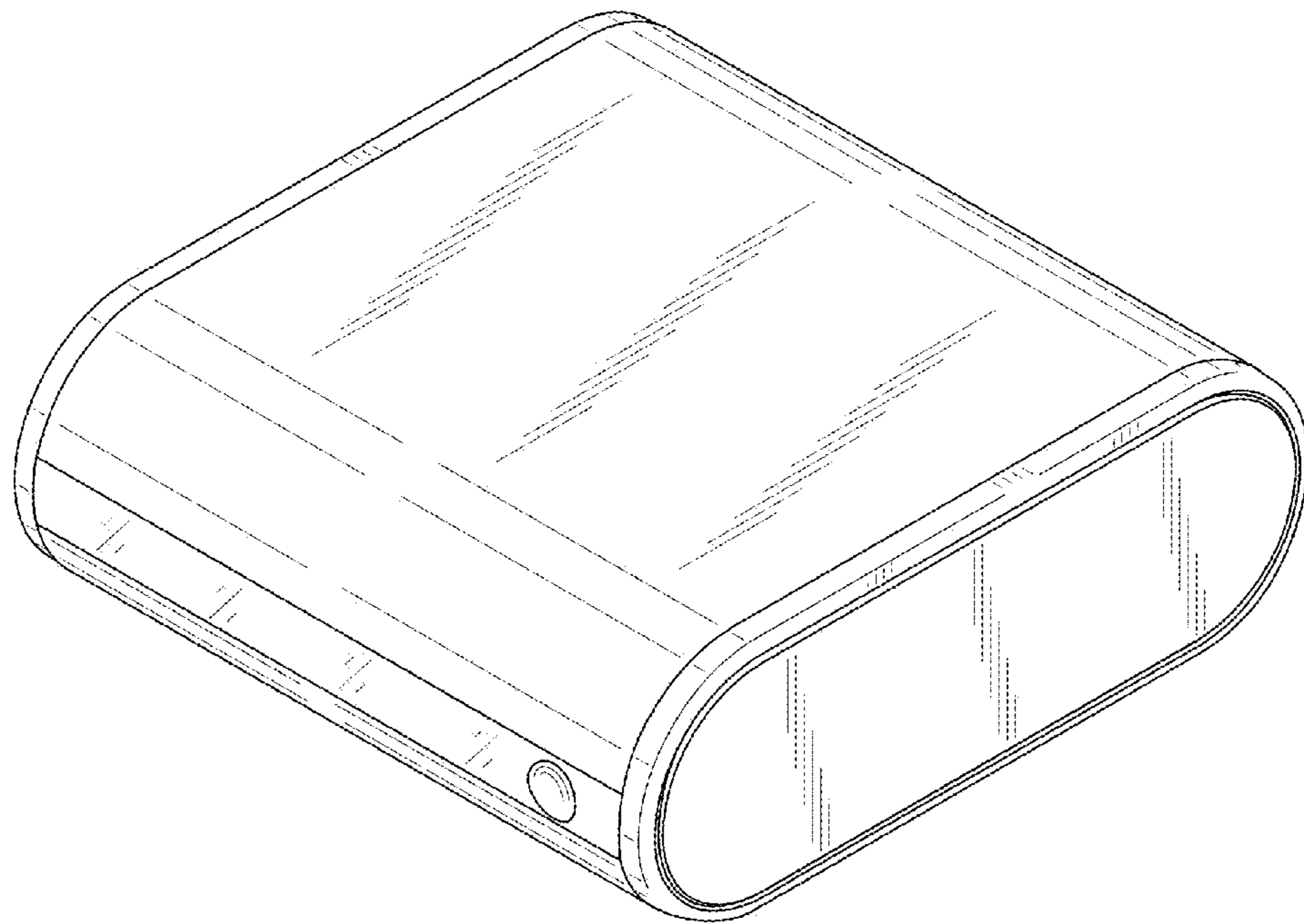


FIG. 2

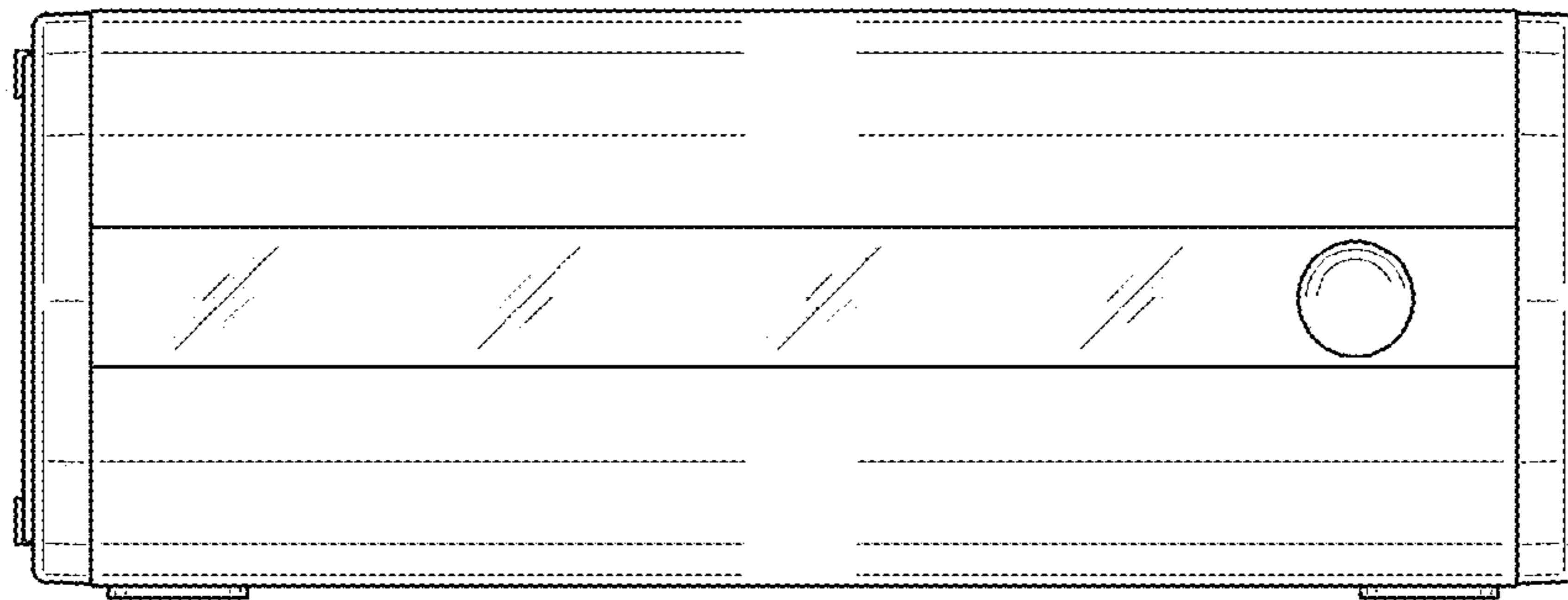


FIG. 3

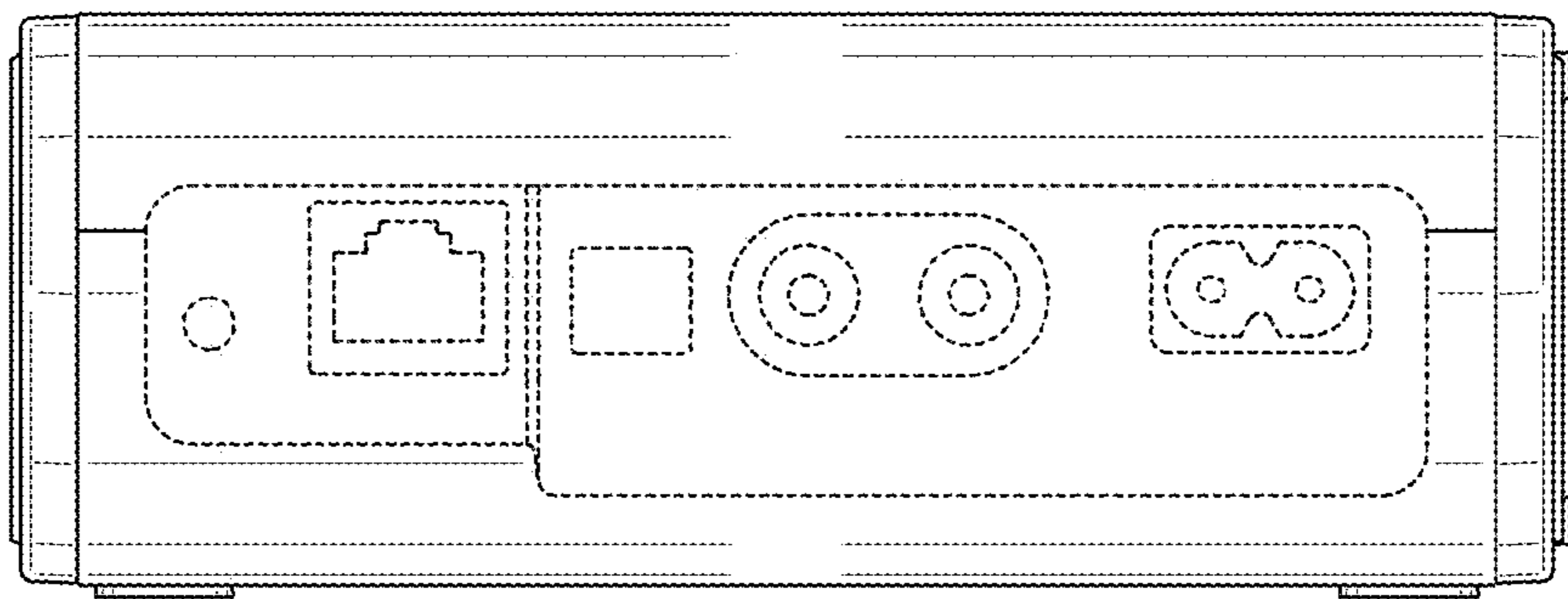


FIG. 4

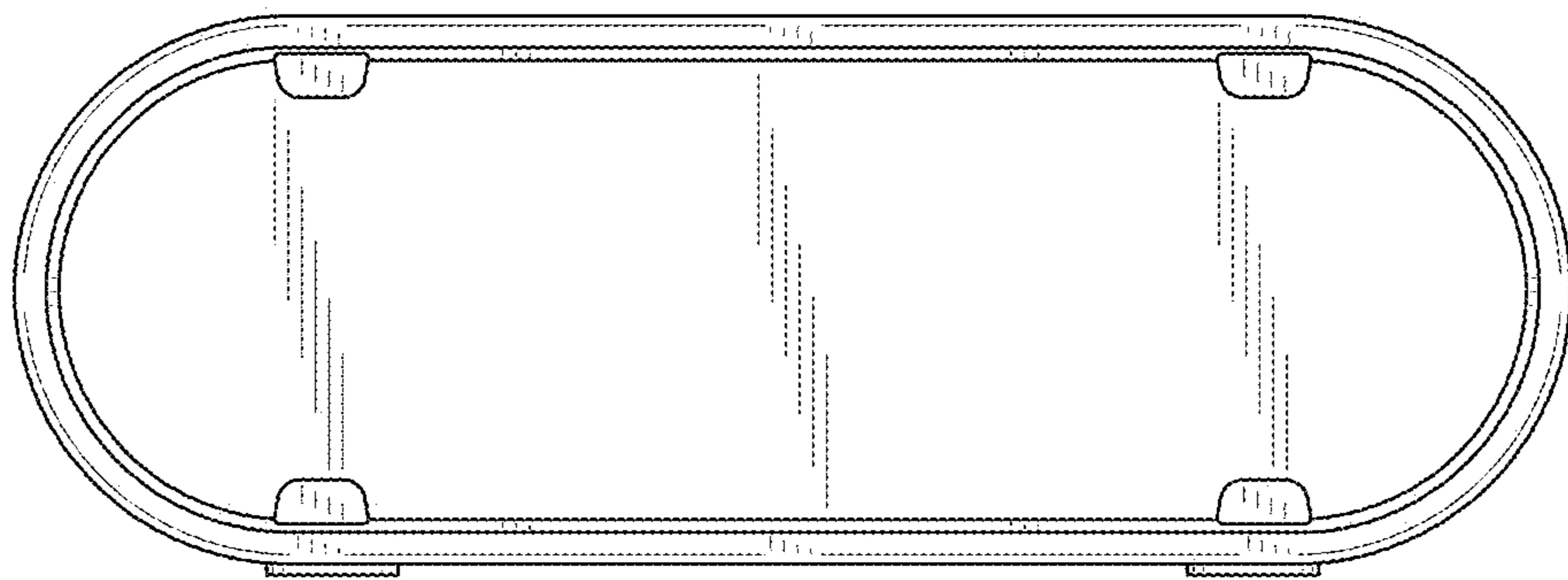


FIG. 5

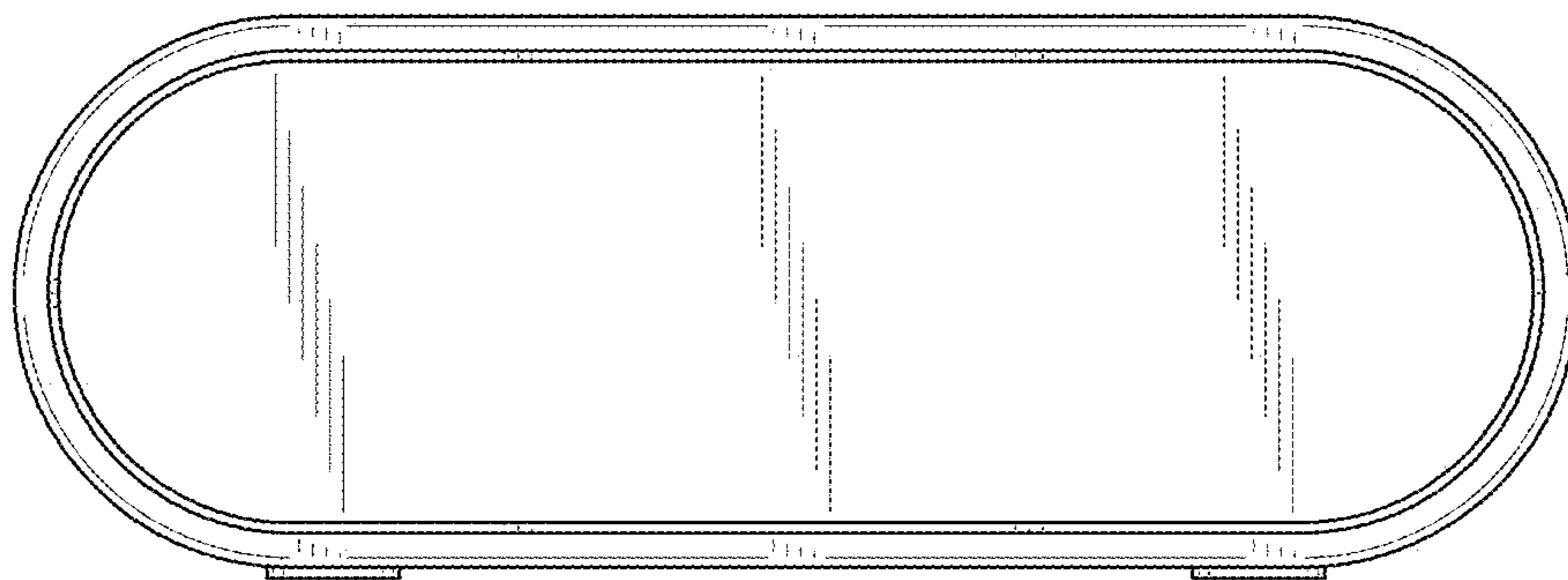


FIG. 6

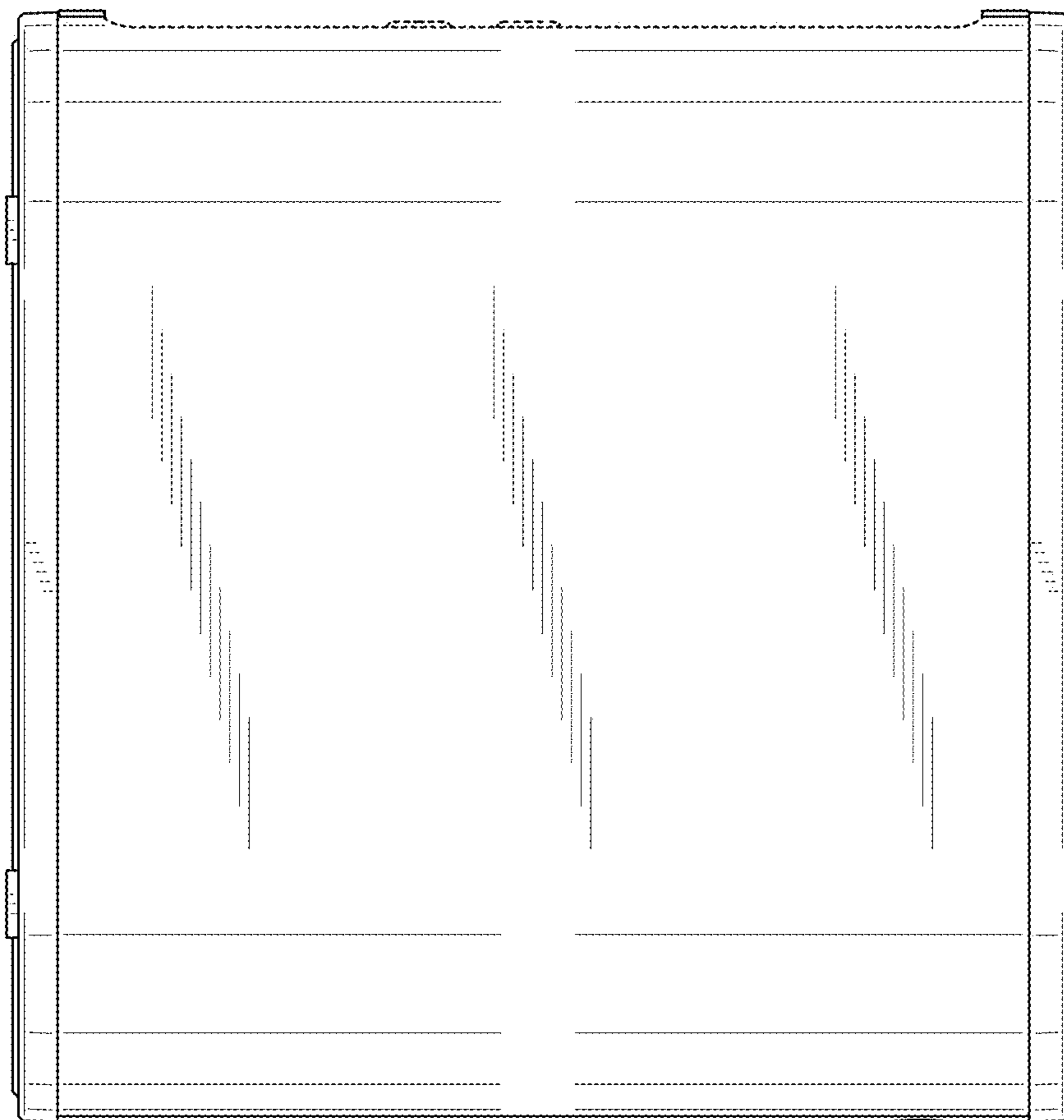


FIG. 7

