

US00D732022S

(12) **United States Design Patent**
Song

(10) **Patent No.:** **US D732,022 S**
(45) **Date of Patent:** **** Jun. 16, 2015**

(54) **ELECTRONIC DEVICE**

(71) Applicant: **Samsung Electronics Co., Ltd.**,
Suwon-si (KR)

(72) Inventor: **Jun-Yong Song**, Seongnam-si (KR)

(73) Assignee: **Samsung Electronics Co., Ltd.**,
Suwon-si (KR)

(**) Term: **14 Years**

(21) Appl. No.: **29/478,292**

(22) Filed: **Jan. 3, 2014**

(51) **LOC (10) Cl.** **14-02**

(52) **U.S. Cl.**
USPC **D14/344**

(58) **Field of Classification Search**
USPC D14/341, 342, 343, 344, 345, 346, 347,
D14/420, 426, 427; D10/30, 31, 32, 37, 38,
D10/39, 65; 368/281, 282, 294, 295, 296;
455/100; 361/679.03; 379/433.1;
D11/3

See application file for complete search history.

(56) **References Cited**

U.S. PATENT DOCUMENTS

D299,028 S *	12/1988	Hermann	D14/344
D355,132 S *	2/1995	Williams	D10/32
D366,036 S *	1/1996	Houlihan	D14/344
D383,985 S *	9/1997	Davenport	D10/31
D446,130 S *	8/2001	Nakanishi	D10/38
D459,352 S *	6/2002	Giovanniello	D14/402
D463,296 S *	9/2002	Sanomi	D10/39

D528,439 S *	9/2006	Burton	D10/32
D535,205 S *	1/2007	Frederick et al.	D10/104.1
D589,375 S *	3/2009	Tang	D10/32
D596,610 S *	7/2009	Hou	D14/144
D626,551 S *	11/2010	Julien	D14/341
D636,686 S *	4/2011	Cobbett et al.	D10/38
D637,918 S *	5/2011	Cobbett et al.	D10/31
D645,360 S *	9/2011	Kiser et al.	D10/32
D650,706 S *	12/2011	Zanella et al.	D10/32
D655,497 S *	3/2012	Stanley	D3/218
D672,255 S *	12/2012	Zanella et al.	D10/32
D701,504 S *	3/2014	Christopher et al.	D14/344
D719,123 S *	12/2014	Park et al.	D14/138 R
D720,074 S *	12/2014	Suvilaakso et al.	D24/167

* cited by examiner

Primary Examiner — Brandon M Rosati

Assistant Examiner — Chelsea Sealey

(74) *Attorney, Agent, or Firm* — NSIP Law

(57) **CLAIM**

The ornamental design for an electronic device, as shown and described.

DESCRIPTION

FIG. 1 is a front perspective view of an electronic device showing my new design;
FIG. 2 is a front view thereof;
FIG. 3 is a rear view thereof;
FIG. 4 is a left-side view thereof;
FIG. 5 is a right-side view thereof;
FIG. 6 is a top view thereof; and,
FIG. 7 is a bottom view thereof.
The broken lines indicate portions of the electronic device that form no part of the claimed design.

1 Claim, 4 Drawing Sheets

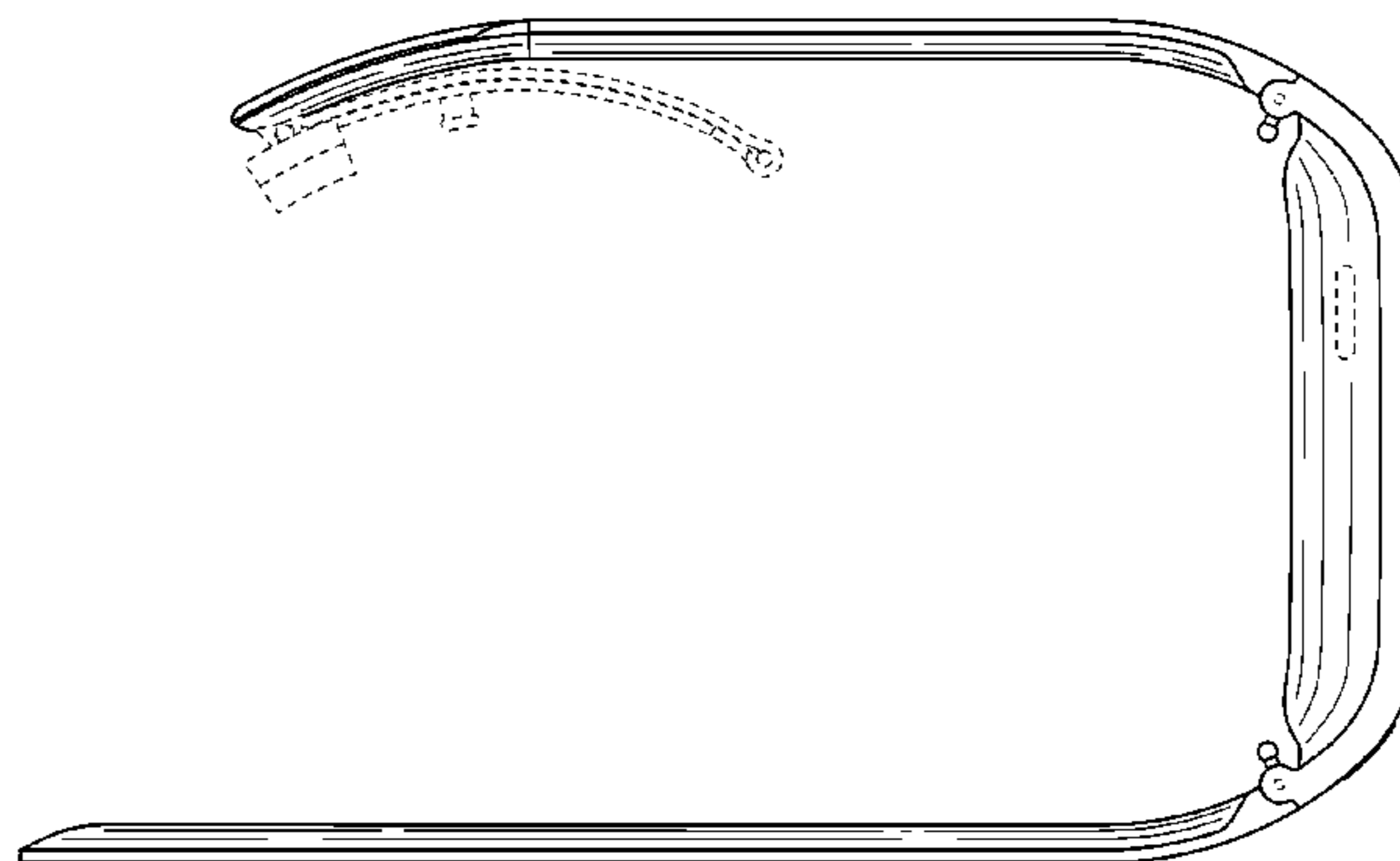
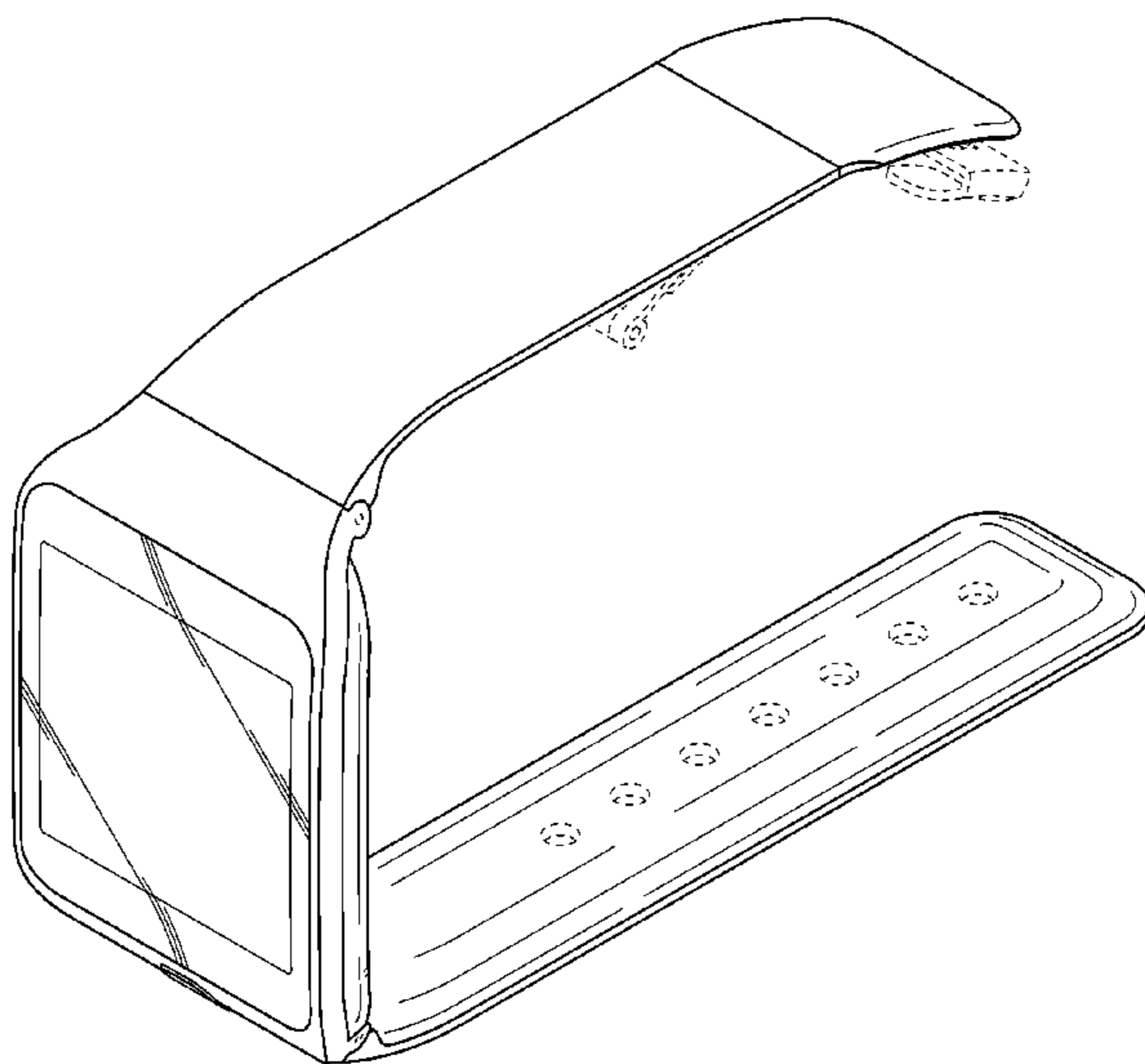


FIG.1

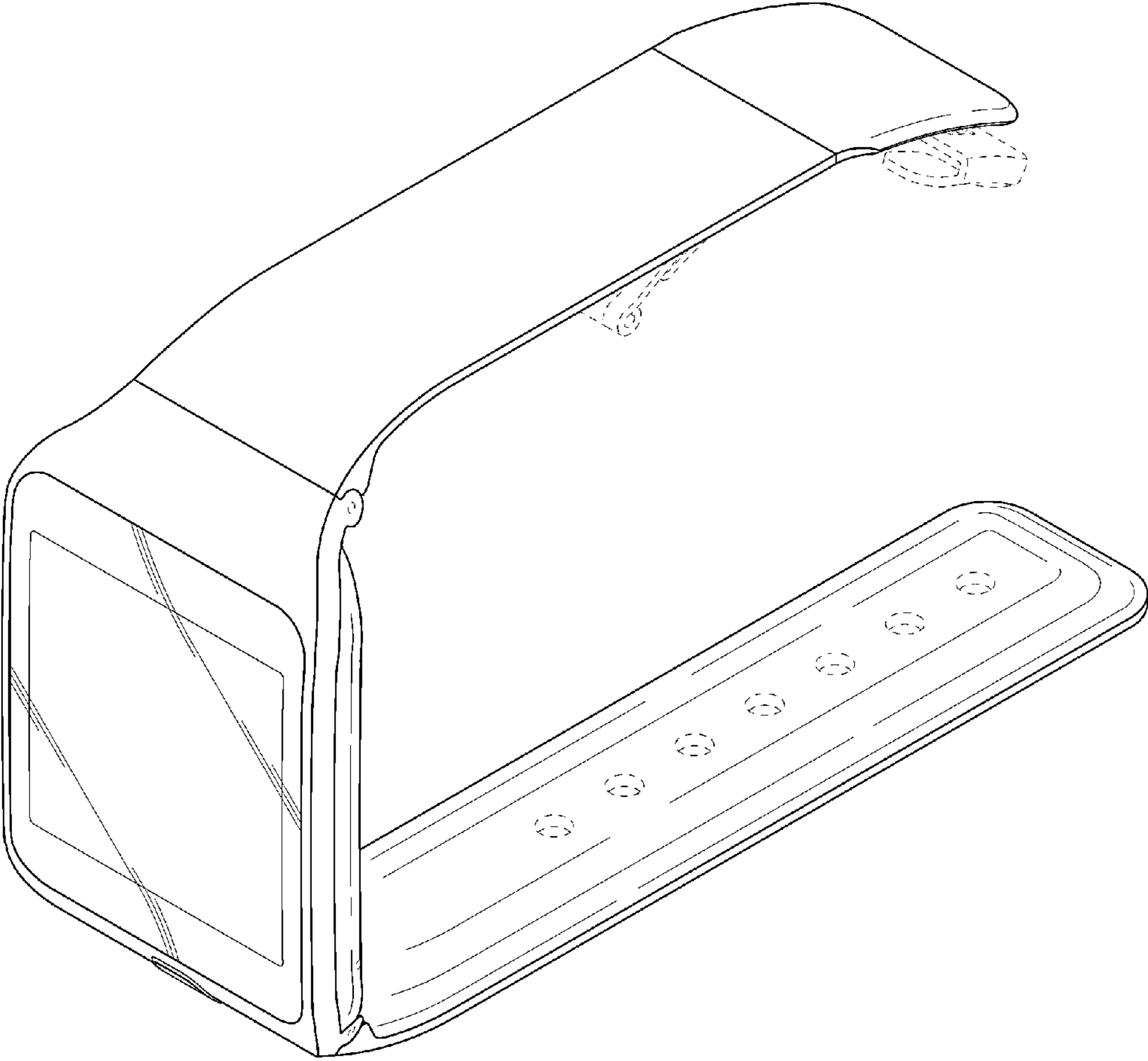


FIG.2

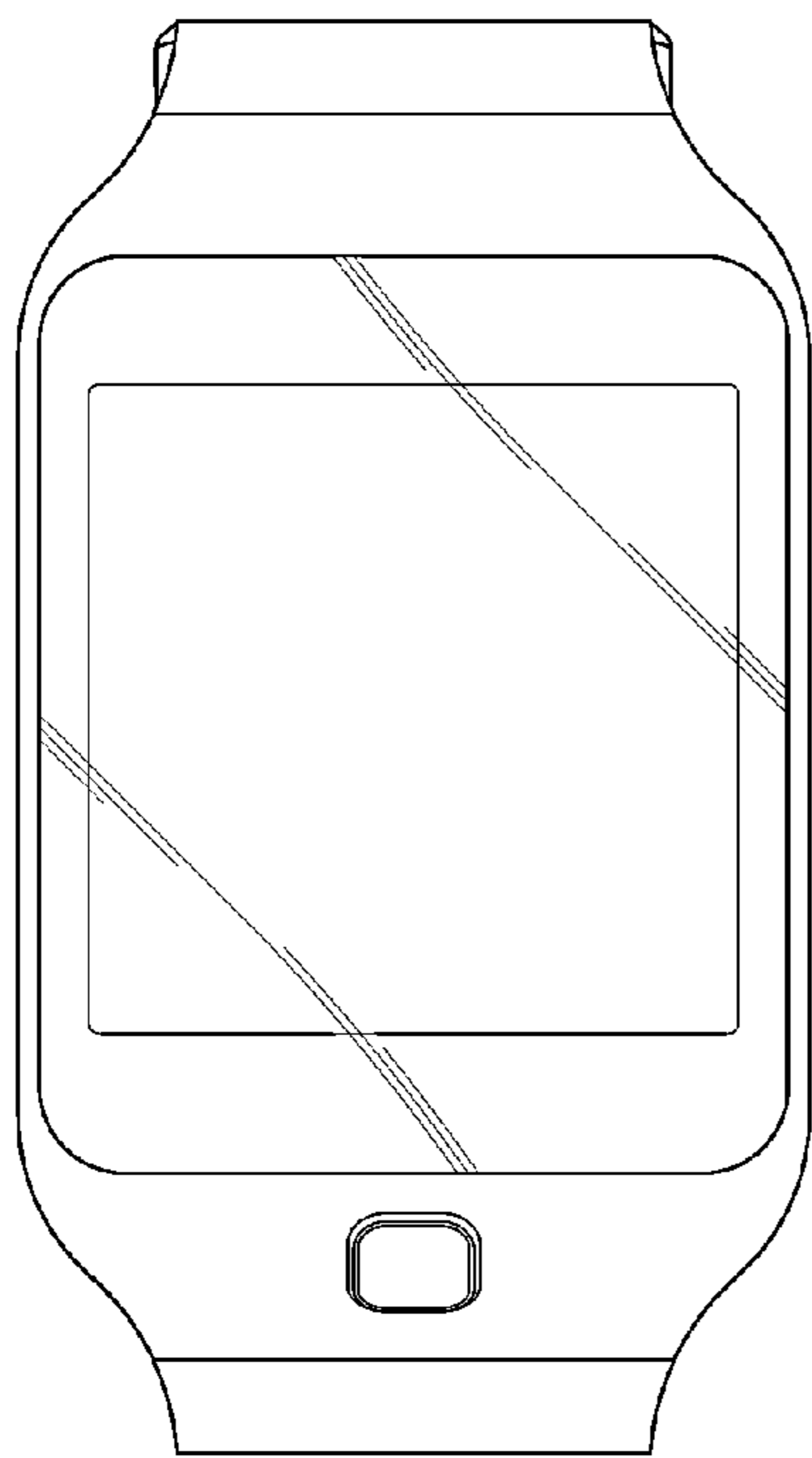


FIG.3

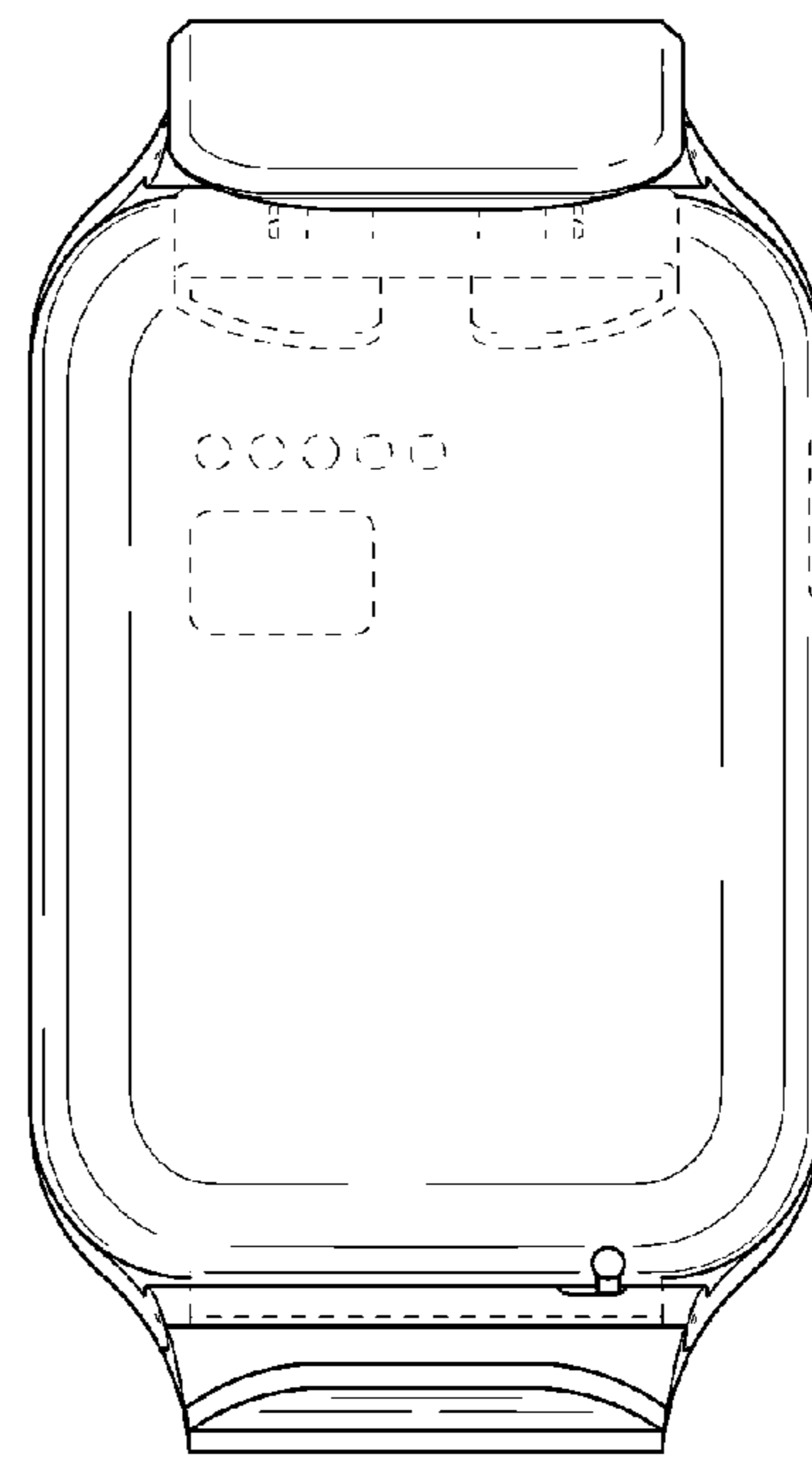


FIG.4

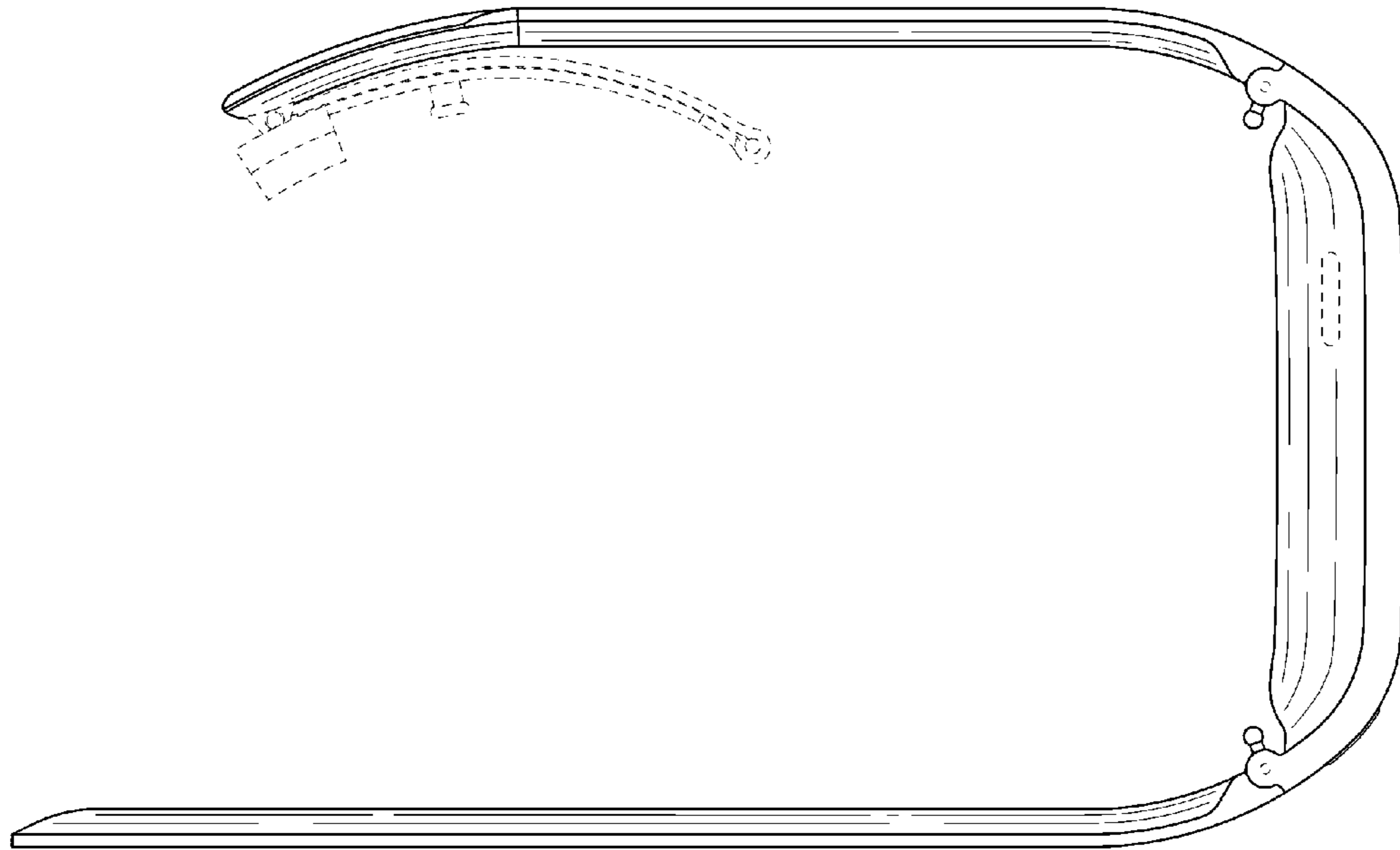


FIG.5

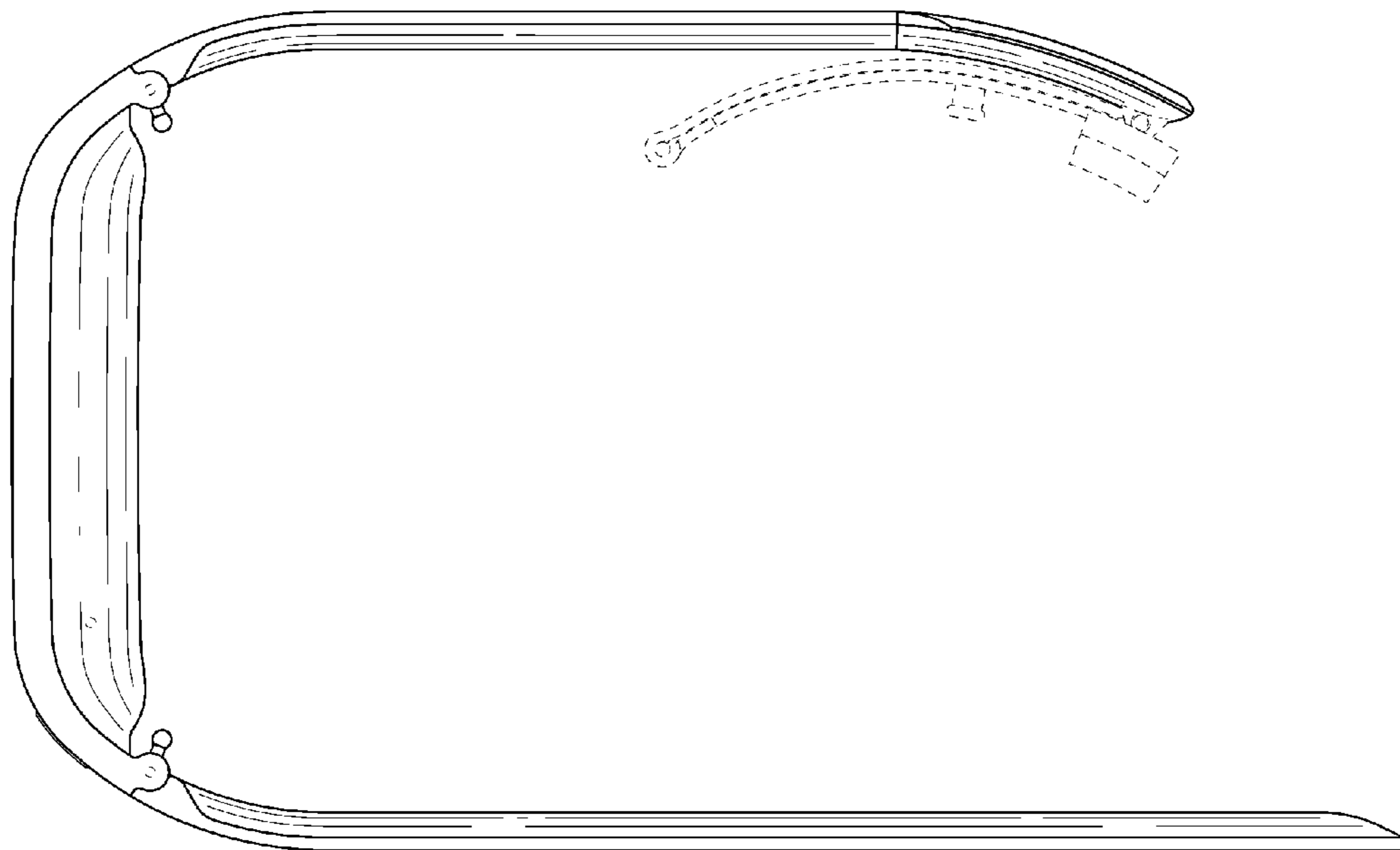


FIG.6

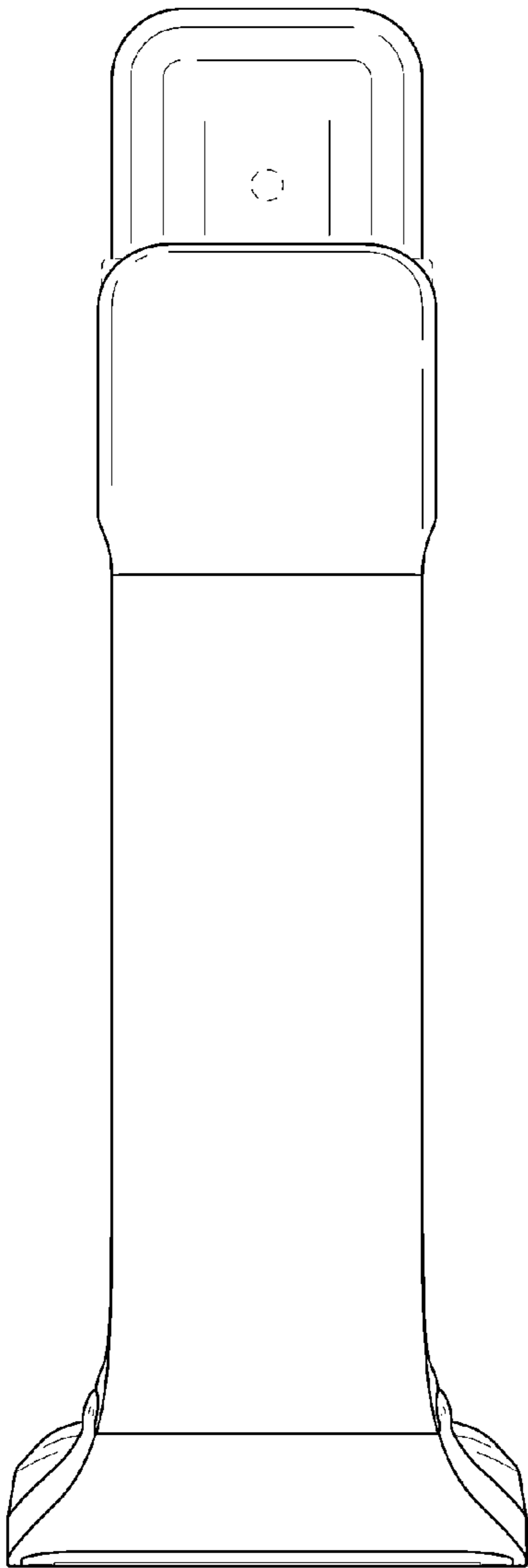


FIG.7

