



US00D732021S

(12) **United States Design Patent**
Seoc

(10) **Patent No.:** **US D732,021 S**
(45) **Date of Patent:** **** Jun. 16, 2015**

(54) **ALL-IN-ONE COMPUTER**

(71) Applicant: **SAMSUNG ELECTRONICS CO., LTD.**, Suwon-si, Gyeonggi-do (KR)

(72) Inventor: **Ho-Young Seoc**, Yongin-si (KR)

(73) Assignee: **SAMSUNG ELECTRONICS CO., LTD.** (KR)

(**) Term: **14 Years**

(21) Appl. No.: **29/468,406**

(22) Filed: **Sep. 30, 2013**

(30) **Foreign Application Priority Data**

Apr. 1, 2013 (KR) 30-2013-0016513

(51) **LOC (10) Cl.** **14-02**

(52) **U.S. Cl.**
USPC **D14/341**

(58) **Field of Classification Search**
USPC D14/341-347, 137, 138 R, 138 AA, D14/138 C, 138 G, 496, 203.1, 203.3, 203.4, D14/203.7, 129, 130, 147, 248, 250, 374, D14/385, 388, 389, 315-318, 439, 126, 336, D14/339, 340; D10/65, 104.1; D21/324, D21/329, 330, 332; 455/556.1, 556.2, 566, 455/575.1, 90.3; 379/433.04, 433.01, 379/433.06, 916; 345/173; 361/679.26, 361/679.27, 679.3, 679.55, 679.56, 361/680-686; D6/310; 463/37; 248/917-924; 348/373, 376; D19/26
CPC A63H 33/3016; G06F 1/1613; H04M 1/0202; H04M 1/0279; H04M 1/0281; H04M 1/0283

See application file for complete search history.

(56) **References Cited**

U.S. PATENT DOCUMENTS

D306,583	S	*	3/1990	Krolopp et al.	D14/137
D597,974	S	*	8/2009	Iseki	D14/126
D601,143	S	*	9/2009	Oikawa et al.	D14/371
D615,527	S	*	5/2010	Hwang	D14/203.8
D634,320	S	*	3/2011	Bliven et al.	D14/371
D636,187	S	*	4/2011	Kim et al.	D6/308
D646,258	S	*	10/2011	Van Der Flier et al.	D14/142
D656,137	S	*	3/2012	Chung et al.	D14/341
D656,935	S	*	4/2012	Jones et al.	D14/341
D680,525	S	*	4/2013	Deto et al.	D14/341
D681,583	S	*	5/2013	Park	D14/138 G

(Continued)

Primary Examiner — Barbara Fox

Assistant Examiner — Dana K Weiland

(74) *Attorney, Agent, or Firm* — Cantor Colburn LLP

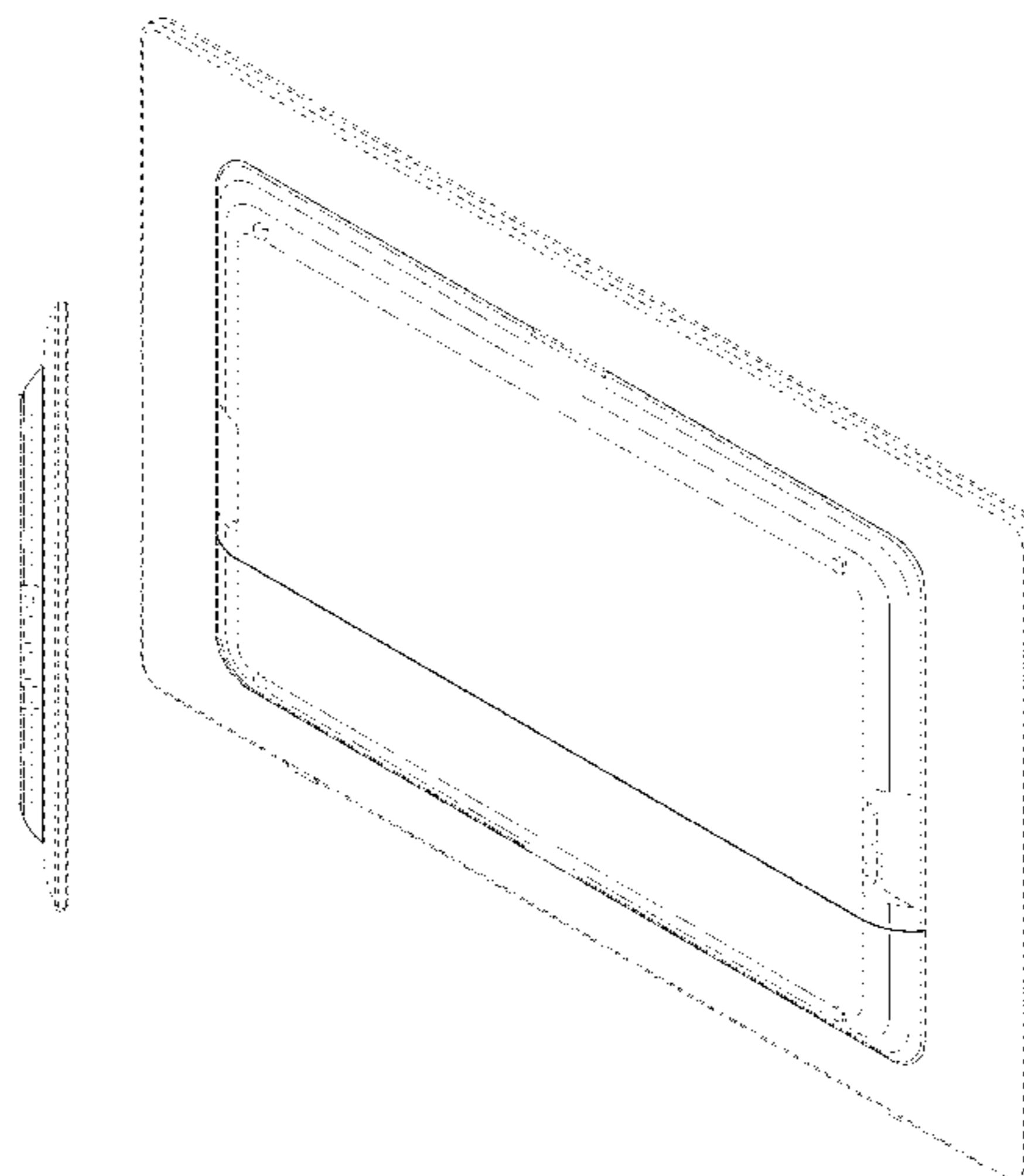
(57) **CLAIM**

The ornamental design for an all-in-one computer, as shown and described.

DESCRIPTION

FIG. 1 is a top front perspective view of an all-in-one computer showing my new design;
FIG. 2 is a front view thereof;
FIG. 3 is a rear view thereof;
FIG. 4 is a left side view thereof;
FIG. 5 is a right side view thereof;
FIG. 6 is a top view thereof;
FIG. 7 is a bottom view thereof;
FIG. 8 is a top rear perspective view thereof;
FIG. 9 is another top rear perspective thereof, showing a support cover in an open position to support the all-in-one computer;
FIG. 10 is another right side view thereof, showing the support cover in a partially open position and a sliding cover moved slightly downward; and,
FIG. 11 is another right side view thereof, showing the support cover in an open position to support the all-in-one computer.
The broken lines shown in the drawings represent portions of the all-in-one computer that form no part of the claimed design.

1 Claim, 6 Drawing Sheets



(56)

References Cited

U.S. PATENT DOCUMENTS

D684,970 S *	6/2013	Zhang	D14/341	D695,735 S *	12/2013	Kitchen et al.	D14/341
D685,778 S *	7/2013	Fahrendorff et al.	D14/250	D696,254 S *	12/2013	Groene et al.	D14/345
D687,824 S *	8/2013	Chun et al.	D14/341	D702,231 S *	4/2014	Park et al.	D14/341
D687,825 S *	8/2013	Lee et al.	D14/341	D722,049 S *	2/2015	Moradian	D14/341
				2005/0052831 A1 *	3/2005	Chen	361/680

* cited by examiner

FIG.1

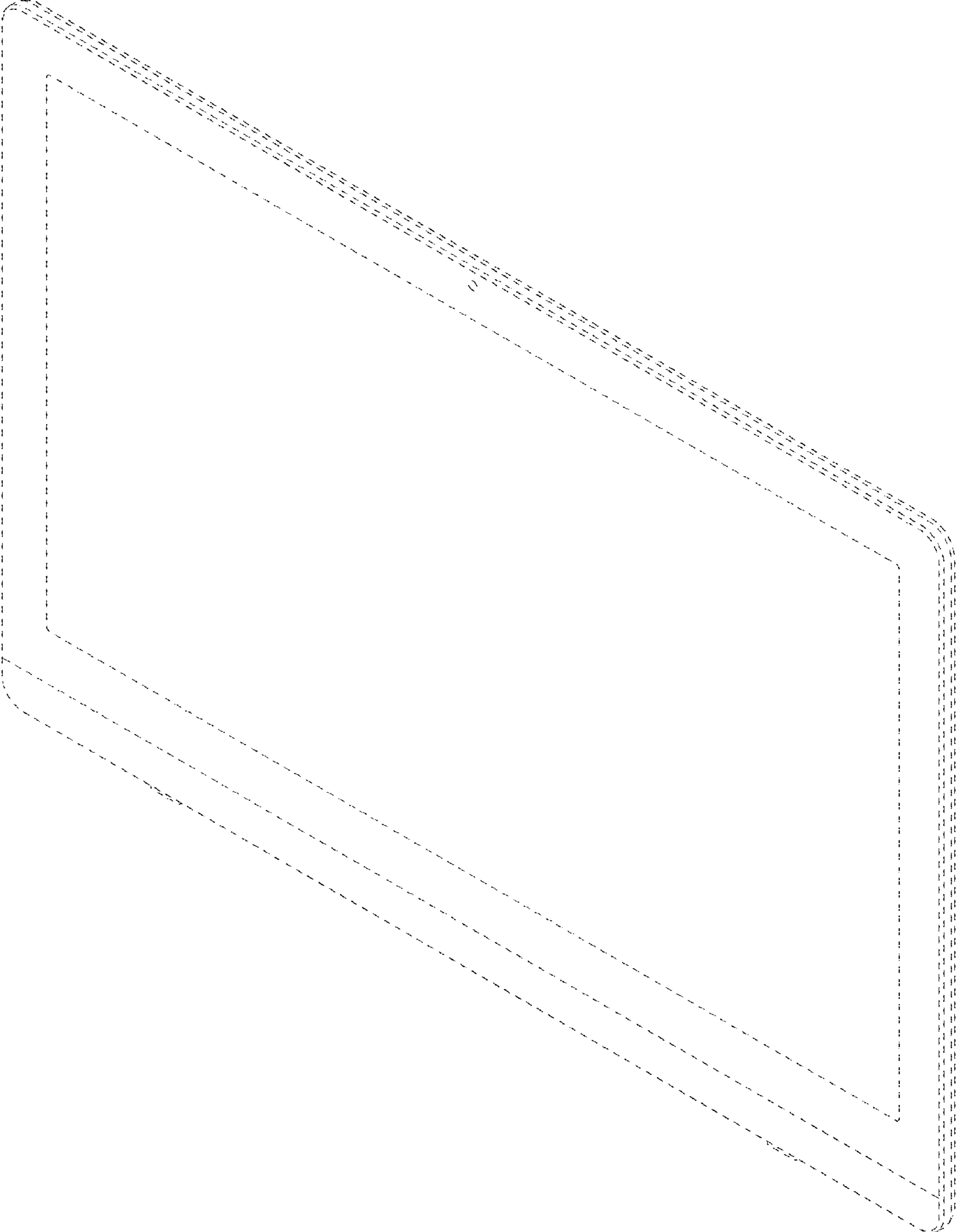


FIG.2



FIG.3

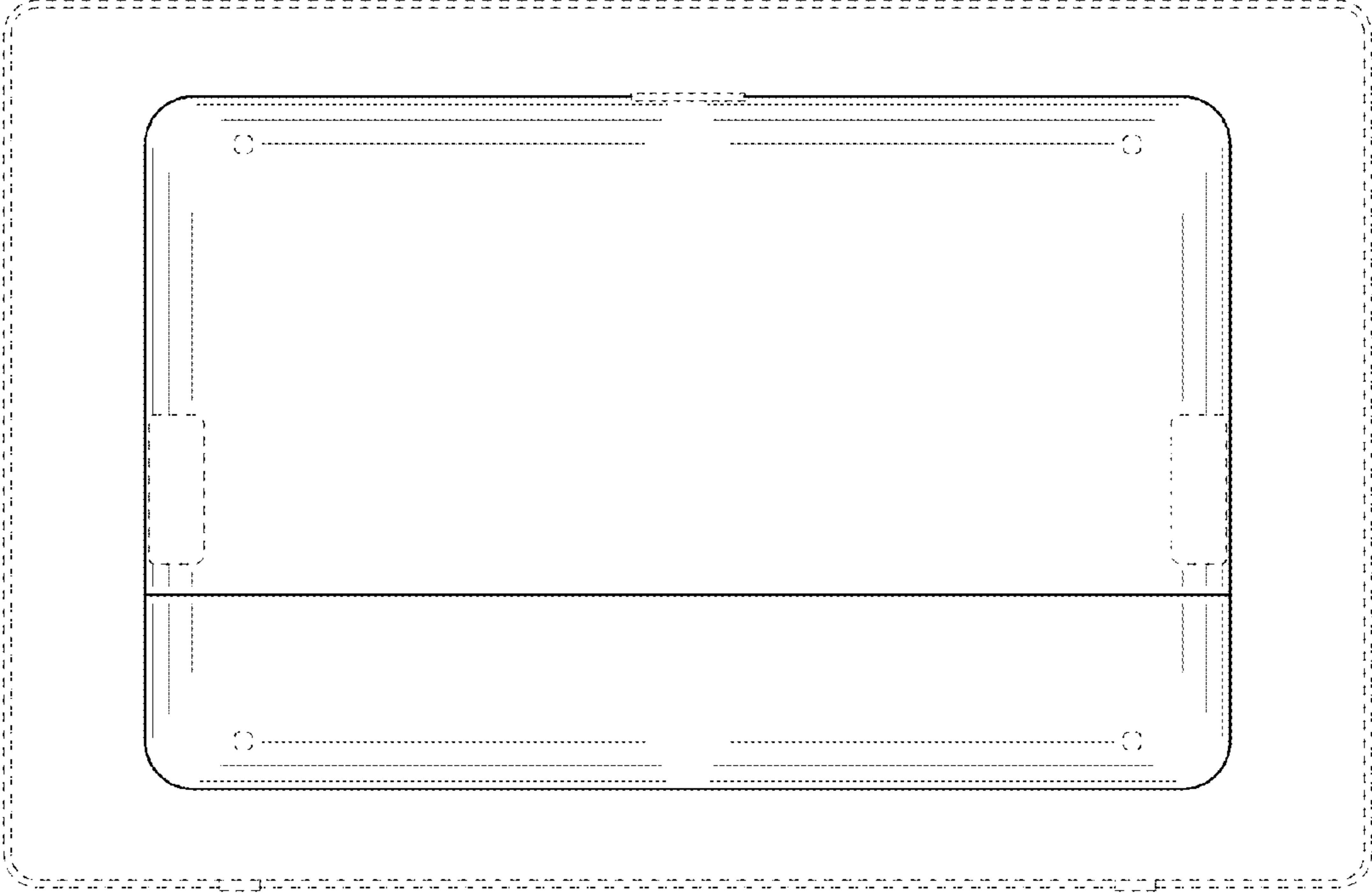


FIG.4



FIG.5

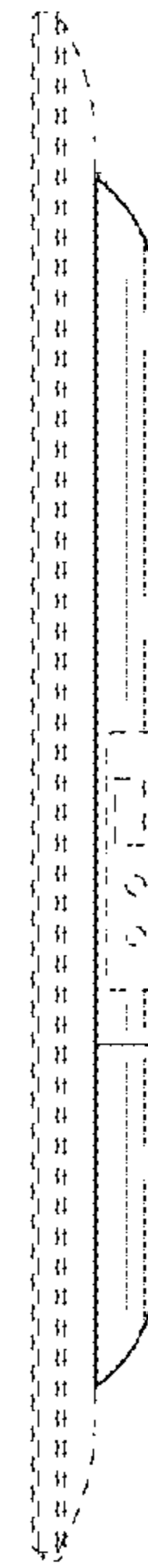


FIG.6

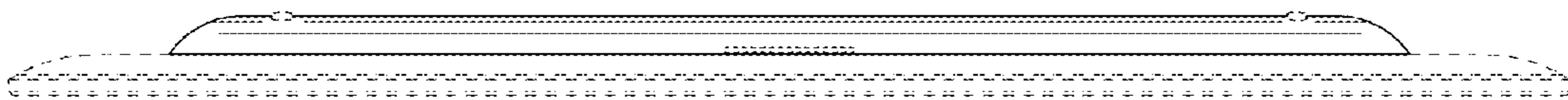


FIG.7

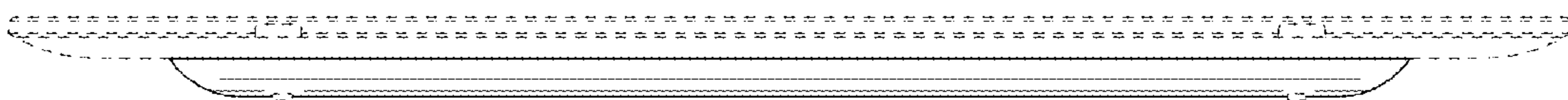


FIG.8

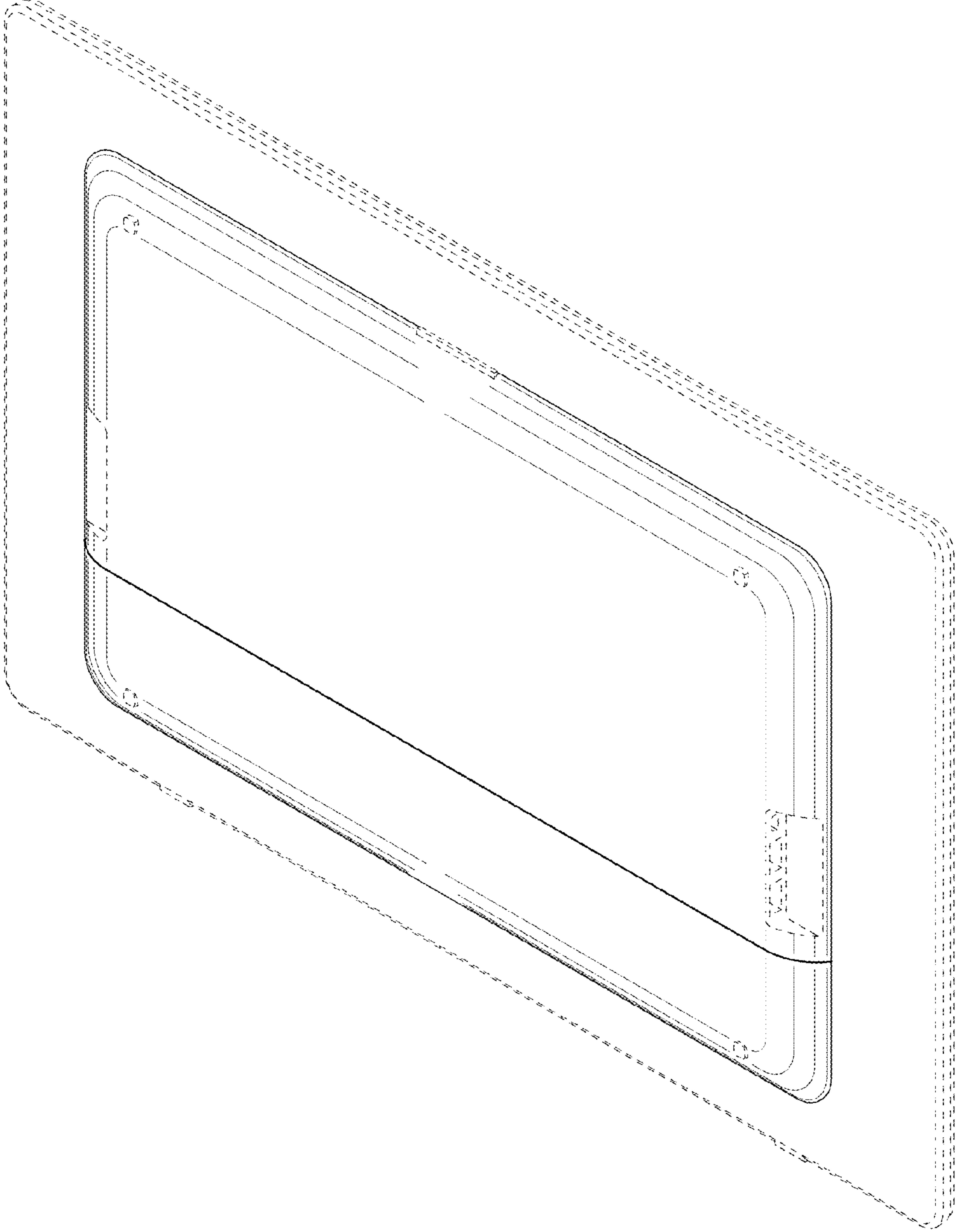


FIG.9

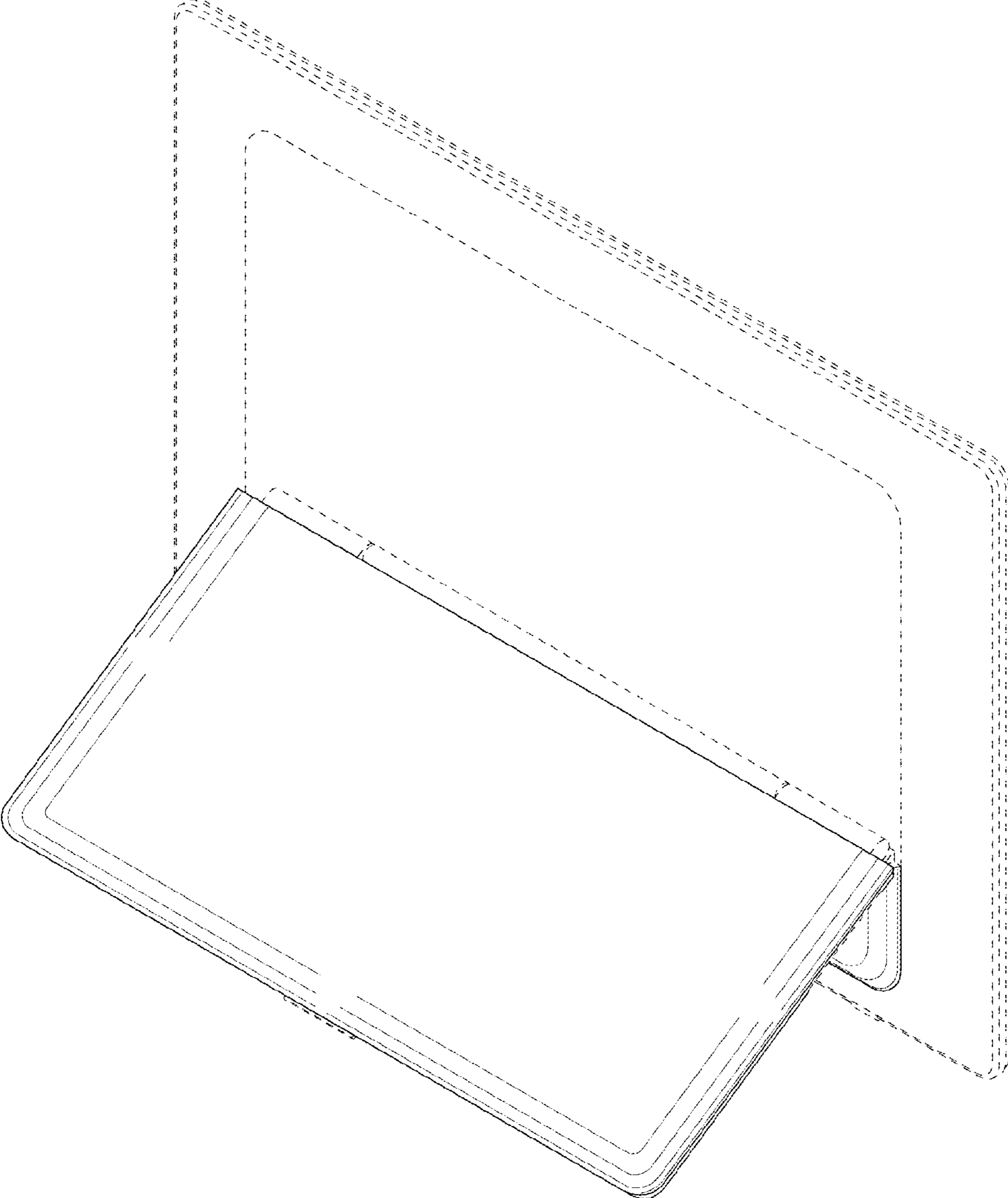


FIG.10

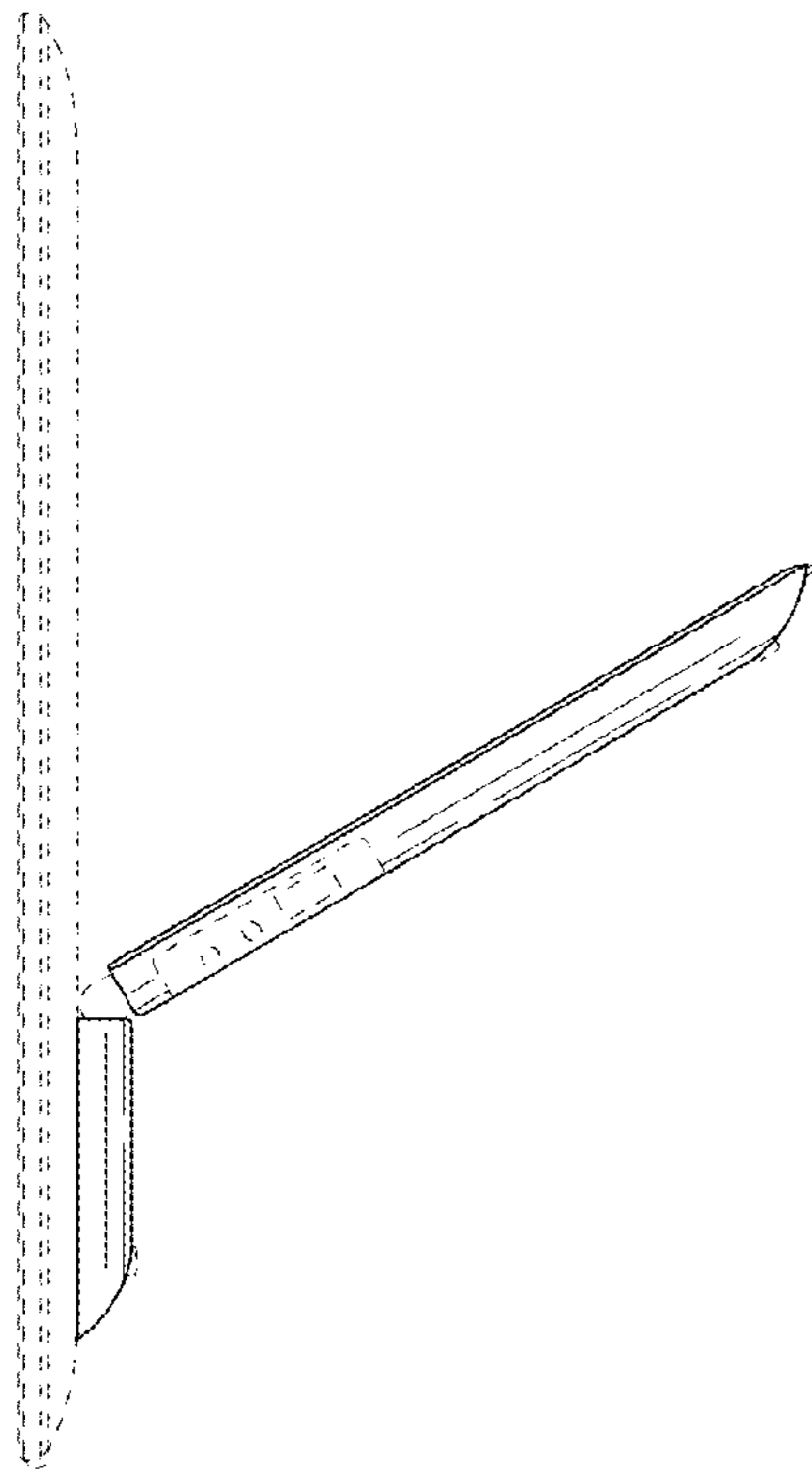


FIG.11

