

US00D732020S

(12) **United States Design Patent**
Seoc

(10) **Patent No.:** **US D732,020 S**
(45) **Date of Patent:** **** Jun. 16, 2015**

(54) **ALL-IN-ONE COMPUTER**
(71) Applicant: **SAMSUNG ELECTRONICS CO., LTD.**, Suwon-si, Gyeonggi-do (KR)
(72) Inventor: **Ho-Young Seoc**, Yongin-si (KR)
(73) Assignee: **SAMSUNG ELECTRONICS CO., LTD.** (KR)
(**) Term: **14 Years**

D562,274 S * 2/2008 Wang D14/126
D564,466 S * 3/2008 Inaba D14/126
D572,213 S * 7/2008 Shih D14/125
D576,119 S * 9/2008 Shih et al. D14/126
D576,121 S * 9/2008 Isshiki D14/126
D597,974 S * 8/2009 Iseki D14/126
D601,143 S * 9/2009 Oikawa et al. D14/371
D611,438 S * 3/2010 Kubota D14/126
D615,527 S * 5/2010 Hwang D14/203.8
D616,436 S * 5/2010 Busri D14/341
D634,320 S * 3/2011 Bliven et al. D14/371
D640,998 S * 7/2011 Takami et al. D14/126
D645,465 S * 9/2011 Lin et al. D14/341

(21) Appl. No.: **29/468,403**

(22) Filed: **Sep. 30, 2013**

(30) **Foreign Application Priority Data**

Apr. 1, 2013 (KR) 30-2013-0016514

(51) **LOC (10) Cl.** **14-02**

(52) **U.S. Cl.**
USPC **D14/341**

(58) **Field of Classification Search**

USPC D14/341-347, 137, 138 R, 138 AA,
D14/138 C, 138 G, 496, 203.1, 203.3, 203.4,
D14/203.7, 129, 130, 147, 248, 250, 374,
D14/385, 388, 389, 315-318, 439, 126, 336,
D14/339, 340; D10/65, 104.1; D21/324,
D21/329, 330, 332; 455/556.1, 556.2, 566,
455/575.1, 90.3; 379/433.04, 433.01,
379/433.06, 916; 345/173; 361/679.26,
361/679.27, 679.3, 679.55, 679.56,
361/680-686; D6/310; 463/37;
248/917-924; 348/373, 376; D19/26
CPC A63H 33/3016; G06F 1/1613; H04M
1/0202; H04M 1/0279; H04M 1/0281; H04M
1/0283

See application file for complete search history.

(56) **References Cited**

U.S. PATENT DOCUMENTS

D555,117 S * 11/2007 Tanaka et al. D14/126

(Continued)

Primary Examiner — Barbara Fox

Assistant Examiner — Dana K Weiland

(74) *Attorney, Agent, or Firm* — Cantor Colburn LLP

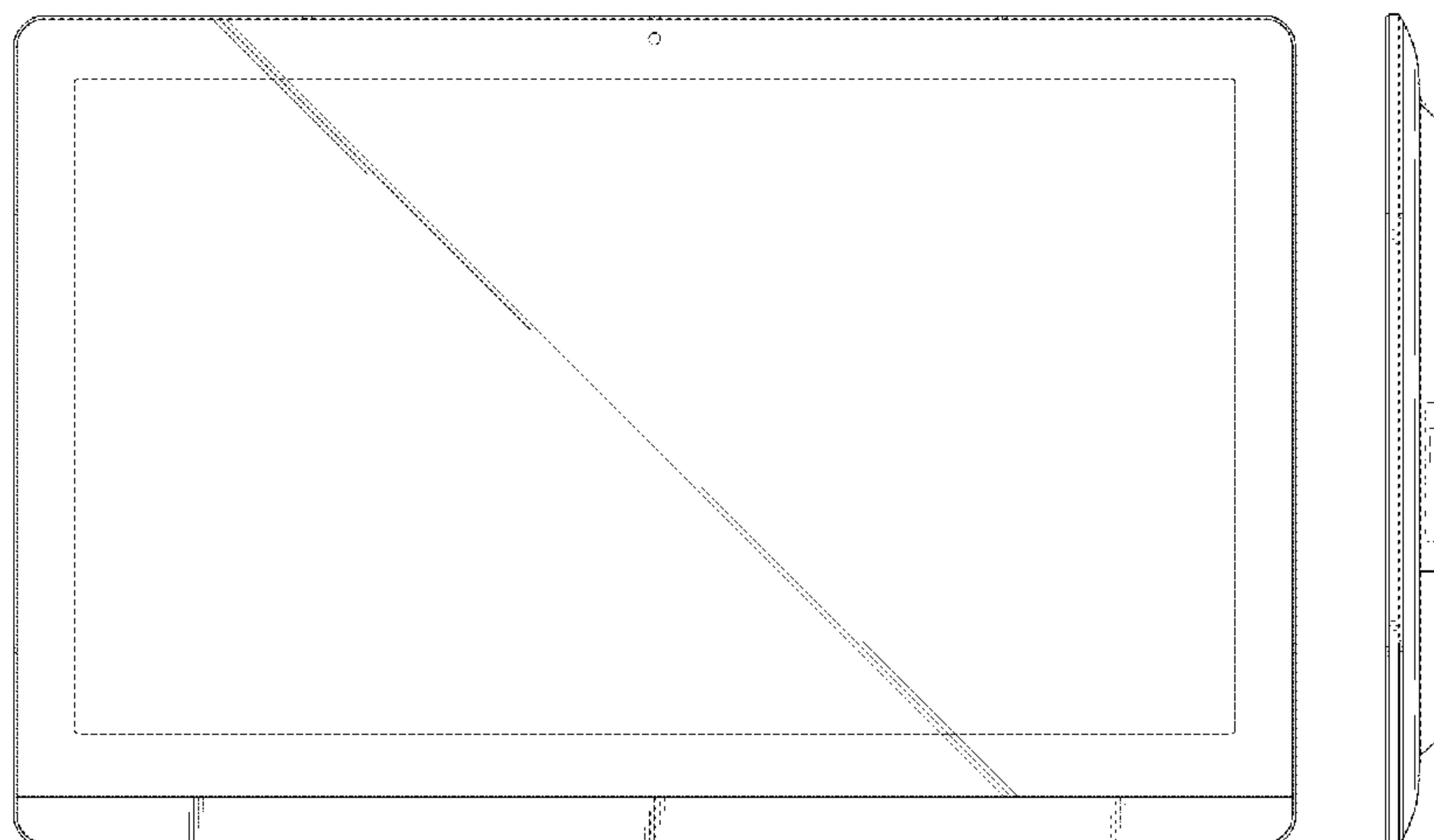
(57) **CLAIM**

The ornamental design for an all-in-one computer, as shown and described.

DESCRIPTION

FIG. 1 is a top front perspective view of an all-in-one computer showing my new design;
FIG. 2 is a front view thereof;
FIG. 3 is a rear view thereof;
FIG. 4 is a left side view thereof;
FIG. 5 is a right side view thereof;
FIG. 6 is a top view thereof;
FIG. 7 is a bottom view thereof;
FIG. 8 is another right side view thereof, showing a support cover partially open and a sliding cover moved slightly downward; and,
FIG. 9 is another right side view thereof, showing the support cover fully open to support the all-in-one computer.
The broken lines shown in the drawings represent portions of the all-in-one computer form that no part of the claimed design.

1 Claim, 4 Drawing Sheets



(56)

References Cited

U.S. PATENT DOCUMENTS

D646,258 S * 10/2011 Van Der Flier et al. D14/142
D655,684 S * 3/2012 Kim et al. D14/126
D656,935 S * 4/2012 Jones et al. D14/341

D661,311 S * 6/2012 Akana et al. D14/448
D679,669 S * 4/2013 Inoue et al. D14/126
D711,371 S * 8/2014 Chen et al. D14/341
D714,784 S * 10/2014 Park D14/341
D716,292 S * 10/2014 Lai D14/341

* cited by examiner

FIG. 1

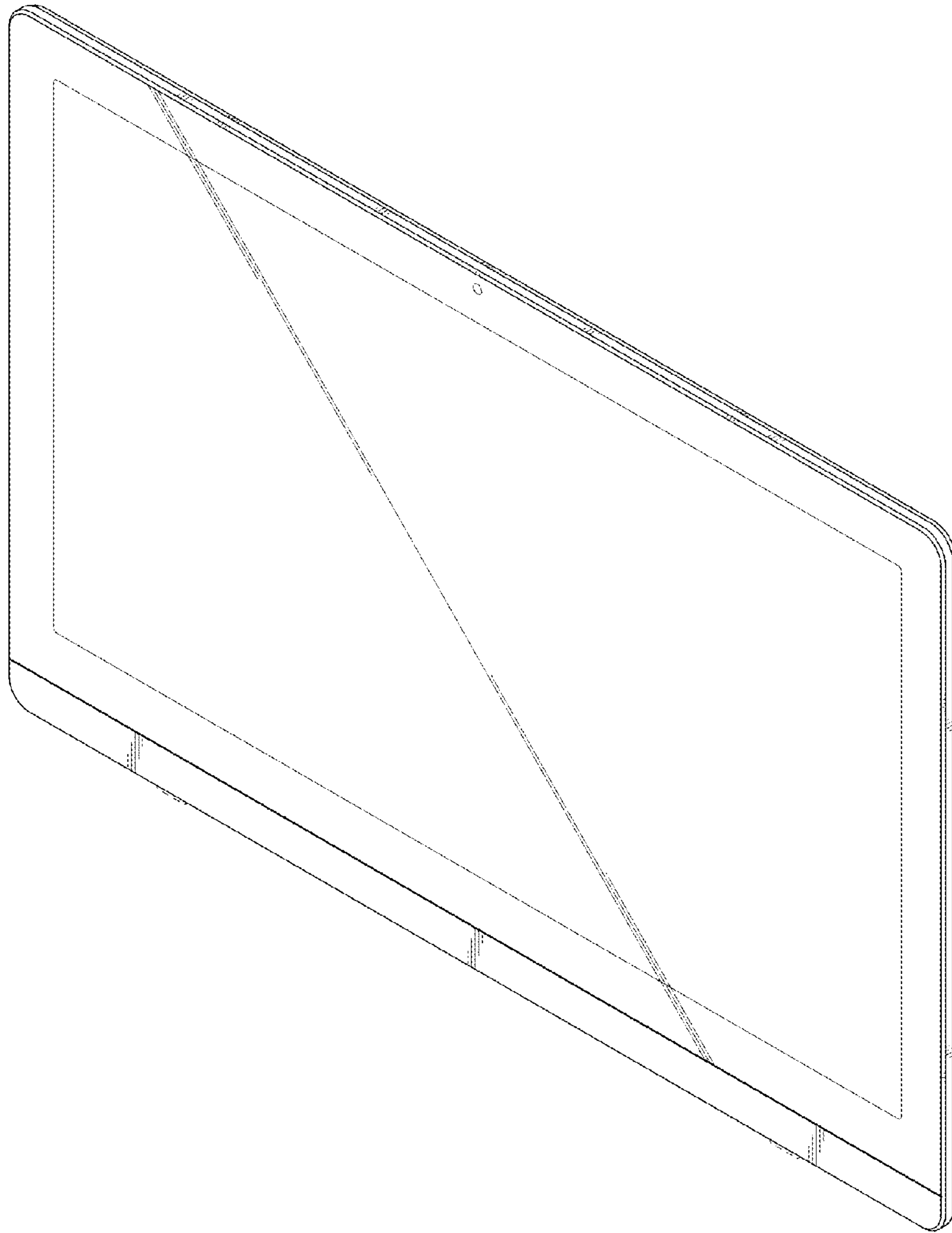


FIG.2

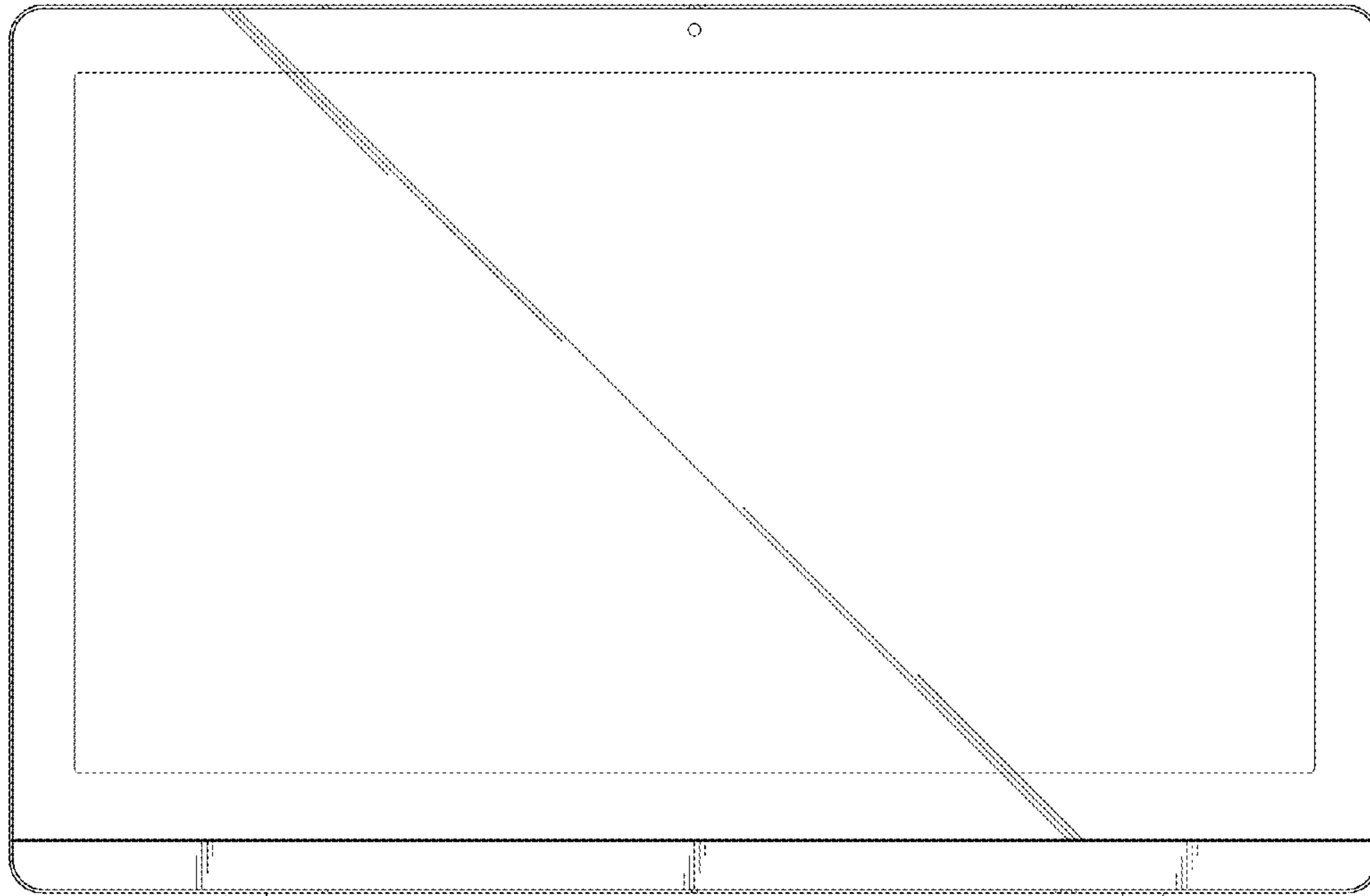


FIG.3



FIG.4



FIG.5

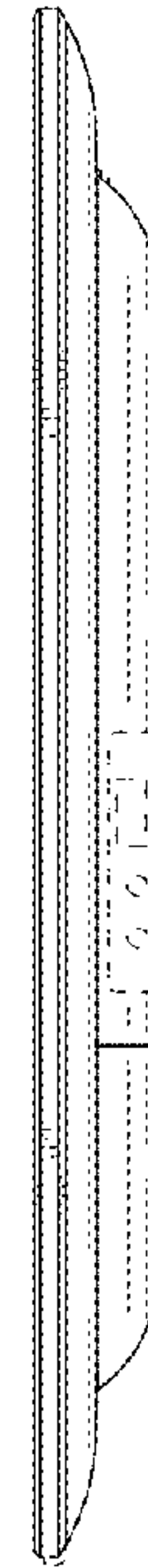


FIG.6

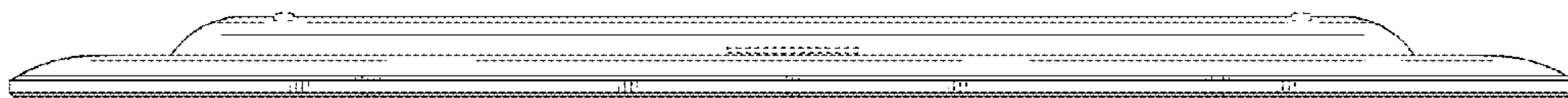


FIG.7

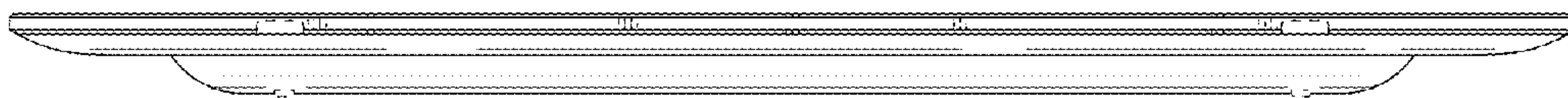


FIG.8

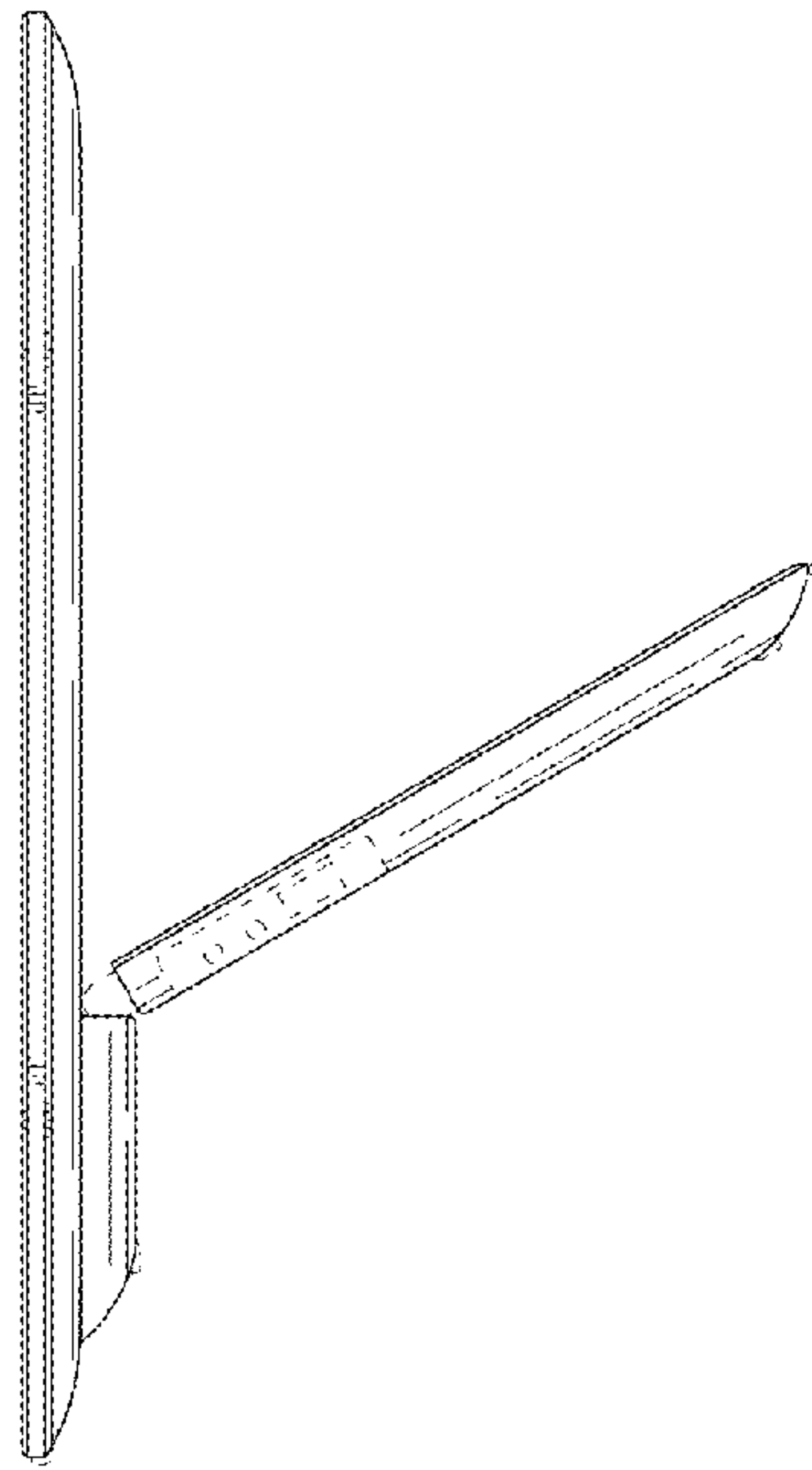


FIG.9

