



US00D732018S

(12) **United States Design Patent**
Andre et al.

(10) **Patent No.:** **US D732,018 S**
(45) **Date of Patent:** **** Jun. 16, 2015**

(54) **HANDHELD PORTABLE COMPUTING DEVICE**

(71) Applicant: **Apple Inc.**, Cupertino, CA (US)

(72) Inventors: **Bartley K. Andre**, Palo Alto, CA (US); **Daniel J. Coster**, San Francisco, CA (US); **Daniele De Iuliis**, San Francisco, CA (US); **Richard P. Howarth**, San Francisco, CA (US); **Jonathan P. Ive**, San Francisco, CA (US); **Steven P. Jobs**, Palo Alto, CA (US); **Duncan Robert Kerr**, San Francisco, CA (US); **Shin Nishibori**, Kailua, HI (US); **Matthew Dean Rohrbach**, San Francisco, CA (US); **Douglas B. Satzger**, Menlo Park, CA (US); **Calvin Q. Seid**, Palo Alto, CA (US); **Christopher J. Stringer**, Woodside, CA (US); **Eugene Antony Whang**, San Francisco, CA (US); **Rico Zörkendörfer**, San Francisco, CA (US)

(73) Assignee: **Apple Inc.**, Cupertino, CA (US)

(**) Term: **14 Years**

(21) Appl. No.: **29/461,932**

(22) Filed: **Jul. 29, 2013**

Related U.S. Application Data

(60) Continuation of application No. 29/432,246, filed on Sep. 14, 2012, now Pat. No. Des. 687,033, which is a continuation of application No. 29/418,404, filed on Apr. 16, 2012, now Pat. No. Des. 673,563, which is a

(Continued)

(51) **LOC (10) Cl.** **14-02**

(52) **U.S. Cl.**
USPC **D14/341**

(58) **Field of Classification Search**
USPC D14/341-346, 138, 203.3, 203.7, 496; D18/1, 2, 7, 11; 341/22, 23; 345/160, 345/168, 173; 455/556.1, 575.5; 340/407.2
See application file for complete search history.

(56) **References Cited**

U.S. PATENT DOCUMENTS

D463,797 S	10/2002	Andre et al.
D464,344 S	10/2002	Jobs et al.
D469,109 S	1/2003	Andre et al.
D497,618 S	10/2004	Andre et al.
D504,889 S	5/2005	Andre et al.
D516,576 S	3/2006	Ive et al.
D538,820 S	3/2007	Andre et al.
D538,822 S	3/2007	Andre et al.
D541,297 S	4/2007	Andre et al.
D541,298 S	4/2007	Andre et al.
D541,299 S	4/2007	Andre et al.

(Continued)

FOREIGN PATENT DOCUMENTS

CN 3468598 8/2005

Primary Examiner — Freda S Nunn

(74) *Attorney, Agent, or Firm* — Sterne, Kessler, Goldstein & Fox P.L.L.C.

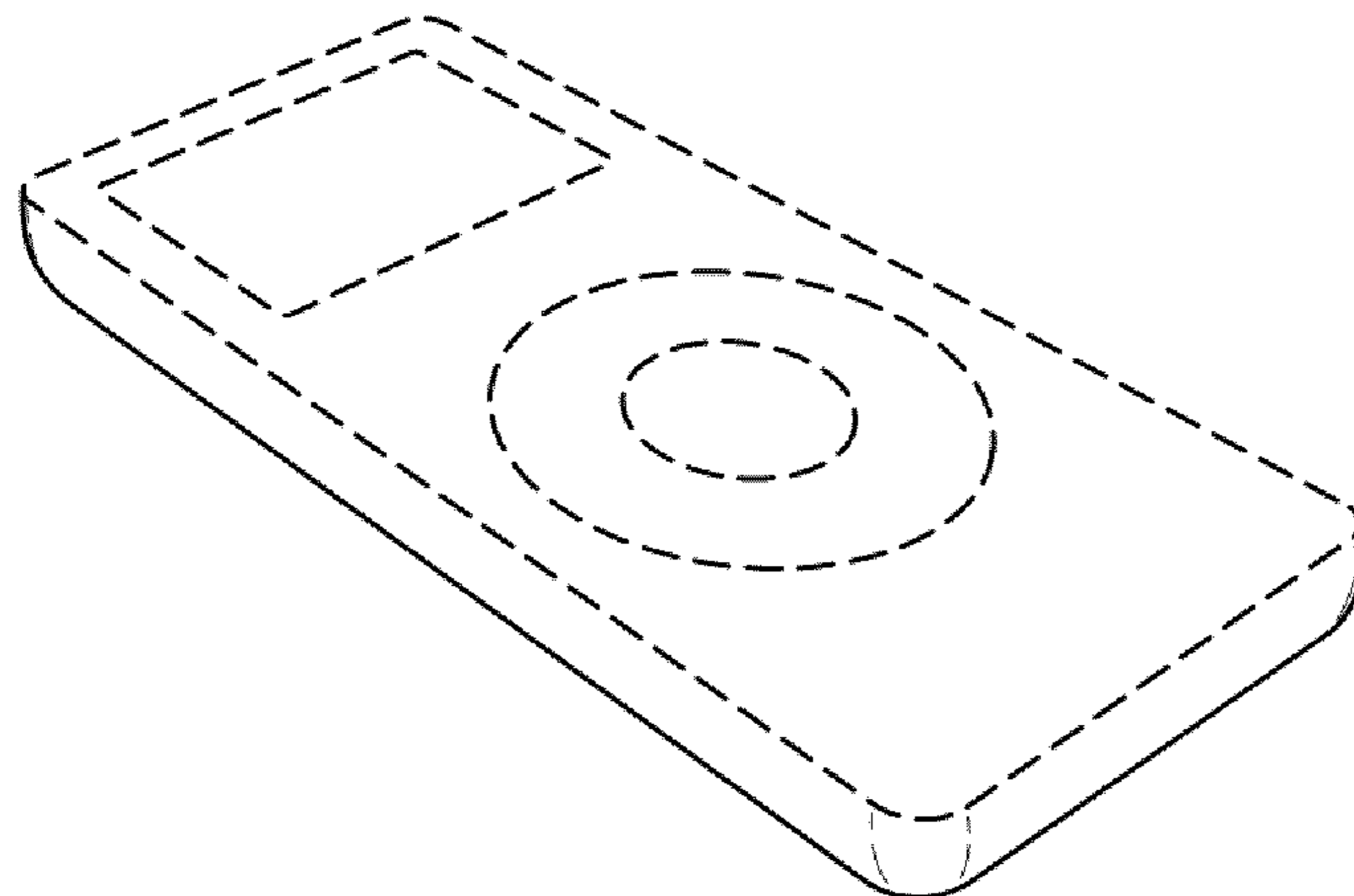
(57) **CLAIM**

The ornamental design for a handheld portable computing device, as shown and described.

DESCRIPTION

FIG. 1 is a perspective view of a handheld portable computing device showing our new design; FIG. 2 is a front view thereof; FIG. 3 is a rear view thereof; FIG. 4 is a plan view thereof; FIG. 5 is another plan view thereof; FIG. 6 is a side view thereof; and, FIG. 7 is another side view thereof. The broken lines in the Figures show portions of the handheld portable computing device which form no part of the claimed design.

1 Claim, 2 Drawing Sheets



Related U.S. Application Data

continuation of application No. 29/400,906, filed on Sep. 2, 2011, now Pat. No. Des. 659,135, which is a continuation of application No. 29/366,345, filed on Jul. 23, 2010, now Pat. No. Des. 645,037, which is a division of application No. 29/330,373, filed on Jan. 6, 2009, now Pat. No. Des. 620,488, which is a division of application No. 29/305,103, filed on Mar. 13, 2008, now Pat. No. Des. 584,303, which is a continuation of application No. 29/281,810, filed on Jul. 2, 2007, now Pat. No. Des. 566,706, which is a division of application No. 29/237,232, filed on Aug. 24, 2005, now Pat. No. Des. 553,129.

(56)

References Cited

U.S. PATENT DOCUMENTS

D542,306 S	5/2007	Andre et al.	
D542,808 S	5/2007	Andre et al.	
D548,218 S *	8/2007	Hong et al. D14/138 AA
D548,744 S	8/2007	Andre et al.	
D548,745 S	8/2007	Andre et al.	
D548,746 S	8/2007	Andre et al.	
D548,747 S	8/2007	Andre et al.	
D549,237 S	8/2007	Andre et al.	
D553,129 S	10/2007	Andre et al.	
D558,784 S	1/2008	Andre et al.	
D562,348 S	2/2008	Andre et al.	

D562,847 S	2/2008	Andre et al.	
D562,848 S	2/2008	Andre et al.	
D566,706 S	4/2008	Andre et al.	
D570,372 S	6/2008	Andre et al.	
D571,375 S	6/2008	Andre et al.	
D572,267 S	7/2008	Andre et al.	
D573,606 S	7/2008	Andre et al.	
D575,305 S	8/2008	Andre et al.	
D584,303 S	1/2009	Andre et al.	
D589,979 S	4/2009	Andre et al.	
D593,536 S	6/2009	Andre et al.	
D613,735 S *	4/2010	Andre et al. D14/341
D615,083 S *	5/2010	Andre et al. D14/341
D615,526 S	5/2010	Andre et al.	
D620,488 S	7/2010	Andre et al.	
D629,786 S	12/2010	Andre et al.	
D645,037 S	9/2011	Andre et al.	
D650,354 S	12/2011	Andre et al.	
D650,355 S	12/2011	Andre et al.	
D653,648 S	2/2012	Andre et al.	
D656,158 S	3/2012	Andre et al.	
D656,159 S	3/2012	Andre et al.	
D659,135 S	5/2012	Andre et al.	
D659,671 S	5/2012	Andre et al.	
D665,820 S	8/2012	Andre et al.	
D666,214 S	8/2012	Andre et al.	
D673,563 S	1/2013	Andre et al.	
D676,019 S	2/2013	Andre et al.	
D687,033 S	7/2013	Andre et al.	
2009/0315690 A1 *	12/2009	Hwang et al. 340/407.2

* cited by examiner

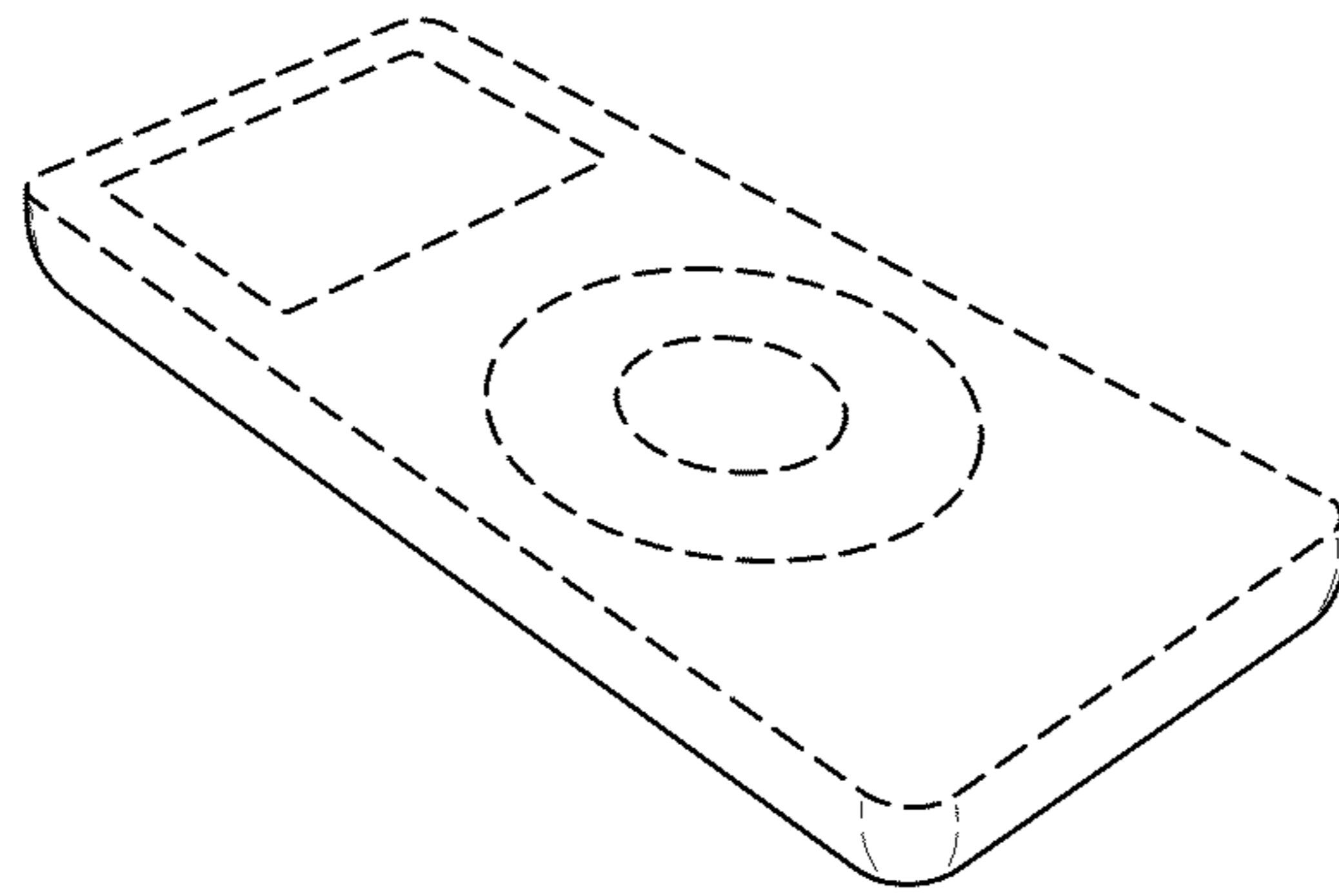


FIG. 1

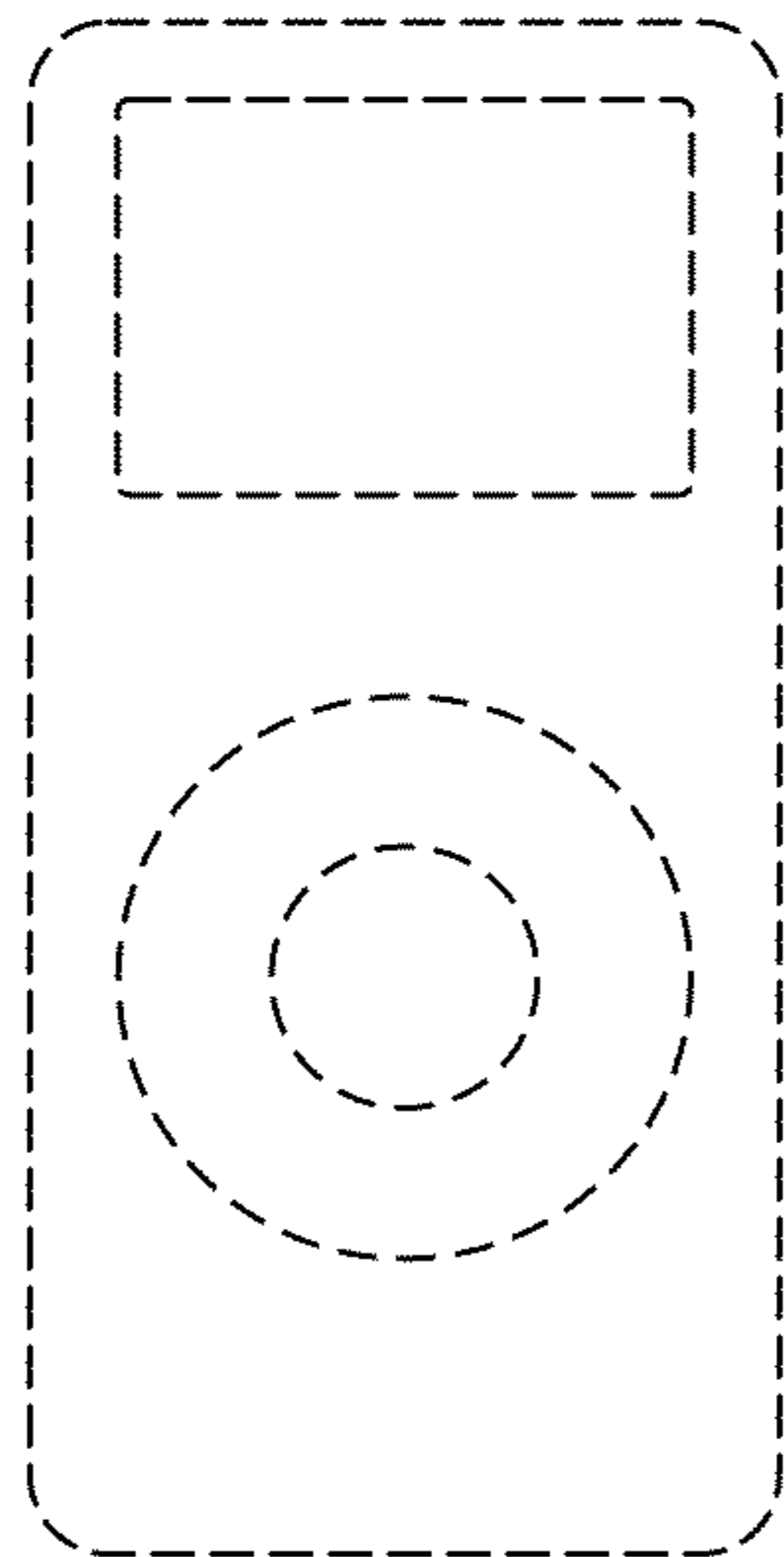


FIG. 2

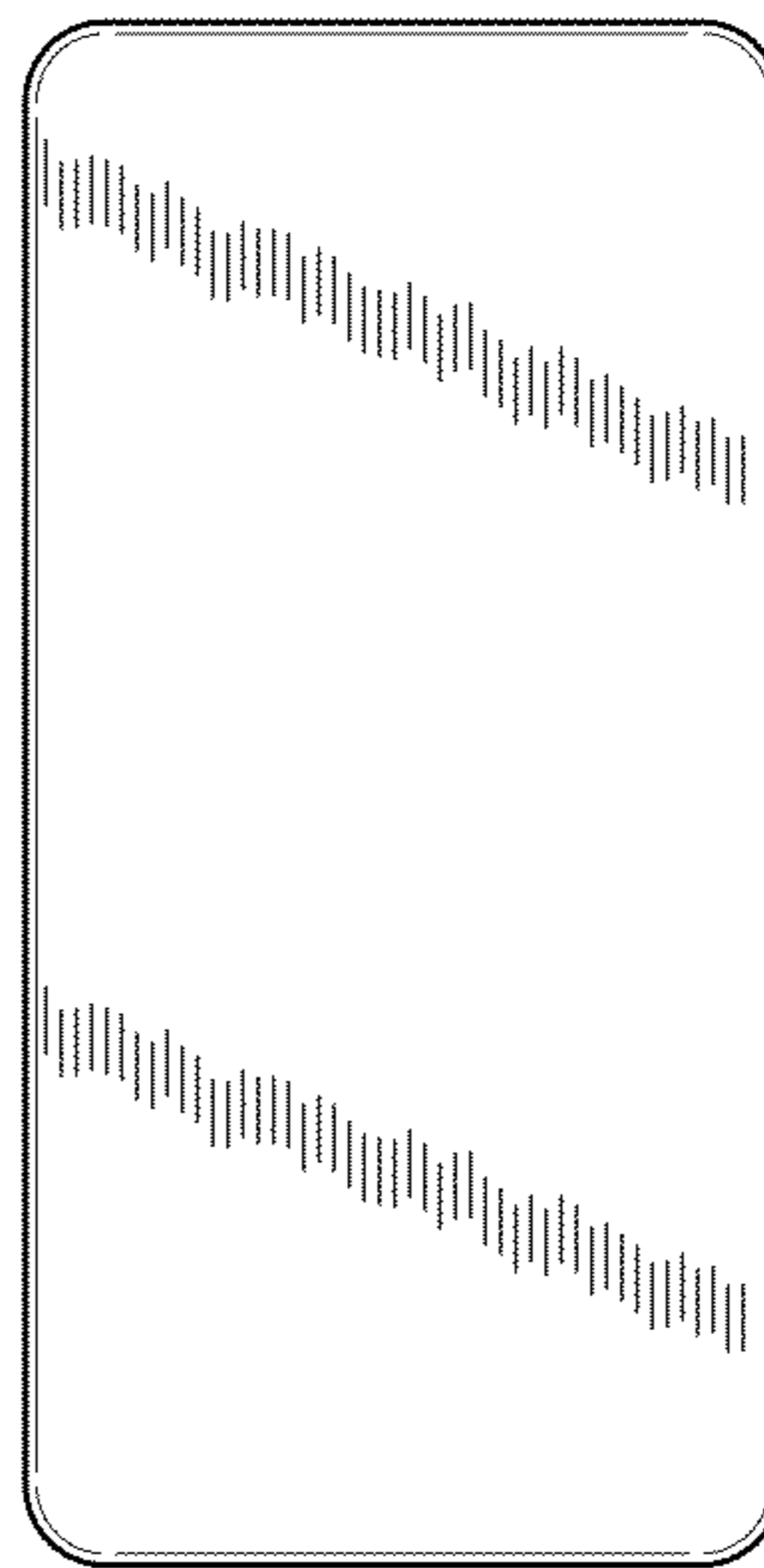


FIG. 3



FIG. 4



FIG. 5



FIG. 6

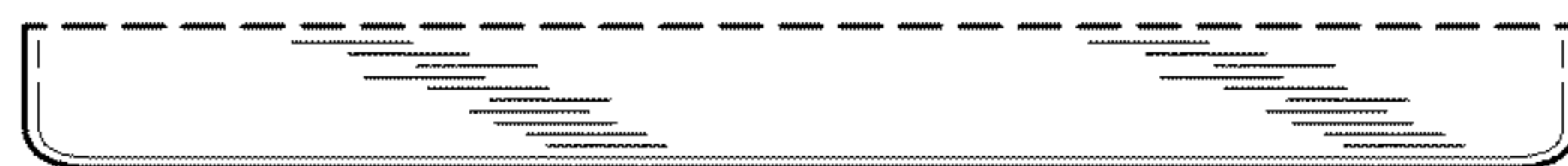


FIG. 7