



US00D732014S

(12) **United States Design Patent**
Miyake

(10) **Patent No.:** **US D732,014 S**

(45) **Date of Patent:** **** Jun. 16, 2015**

(54) **AUDIO PLAYER**

(71) Applicant: **Sony Corporation**, Tokyo (JP)

(72) Inventor: **Ryo Miyake**, Tokyo (JP)

(73) Assignee: **Sony Corporation**, Tokyo (JP)

(**) Term: **14 Years**

(21) Appl. No.: **29/485,622**

(22) Filed: **Mar. 20, 2014**

(30) **Foreign Application Priority Data**

Dec. 27, 2013 (CN) 2013 3 0652229

(51) **LOC (10) Cl.** **14-03**

(52) **U.S. Cl.**
USPC **D14/258**

(58) **Field of Classification Search**
USPC D12/192, 195, 415, 420; D14/157, 168,
D14/188, 218, 224, 257-258, 498-511;
248/27.1, 27.3, 558; 455/347, 350
See application file for complete search history.

(56) **References Cited**

U.S. PATENT DOCUMENTS

D410,924 S	6/1999	Hisatsune et al.	
D446,204 S *	8/2001	Smith	D14/188
D473,209 S *	4/2003	Solland	D14/188
D473,210 S *	4/2003	Solland	D14/188
D537,809 S *	3/2007	Shiono	D14/505
D538,782 S	3/2007	Ishibashi	
D563,942 S *	3/2008	Tejima	D14/168
D568,847 S	5/2008	Shiono	
D571,326 S *	6/2008	Ogura	D14/506
D571,755 S *	6/2008	Uchiyama	D14/511
D574,796 S	8/2008	Yokoyama	

D580,899 S	11/2008	Masui	
D613,732 S *	4/2010	Uchiyama et al.	D14/257
D626,439 S	11/2010	Lee et al.	
D635,584 S *	4/2011	Ohno	D14/500
D640,250 S *	6/2011	Kusuki et al.	D14/257
D656,933 S	4/2012	Samuel et al.	
D666,615 S	9/2012	Samuel et al.	
D673,156 S	12/2012	Detemple	
D676,447 S	2/2013	Detemple	

* cited by examiner

Primary Examiner — Sandra Morris

(74) *Attorney, Agent, or Firm* — Fishman Stewart Yamaguchi PLLC

(57) **CLAIM**

The ornamental design for an audio player, as shown and described.

DESCRIPTION

FIG. 1 is a perspective view of a first embodiment of an audio player showing my new design;
FIG. 2 is a front elevational view thereof;
FIG. 3 is a left side elevational view thereof;
FIG. 4 is a right side elevational view thereof;
FIG. 5 is a top plan view thereof; and
FIG. 6 is a bottom plan view thereof.
FIG. 7 is a perspective view of a second embodiment of an audio player showing my new design;
FIG. 8 is a front elevational view thereof;
FIG. 9 is a left side elevational view thereof;
FIG. 10 is a right side elevational view thereof;
FIG. 11 is a top plan view thereof; and,
FIG. 12 is a bottom plan view thereof.
The broken line showing is for illustrative purposes only, and forms no part of the claimed design.

1 Claim, 12 Drawing Sheets

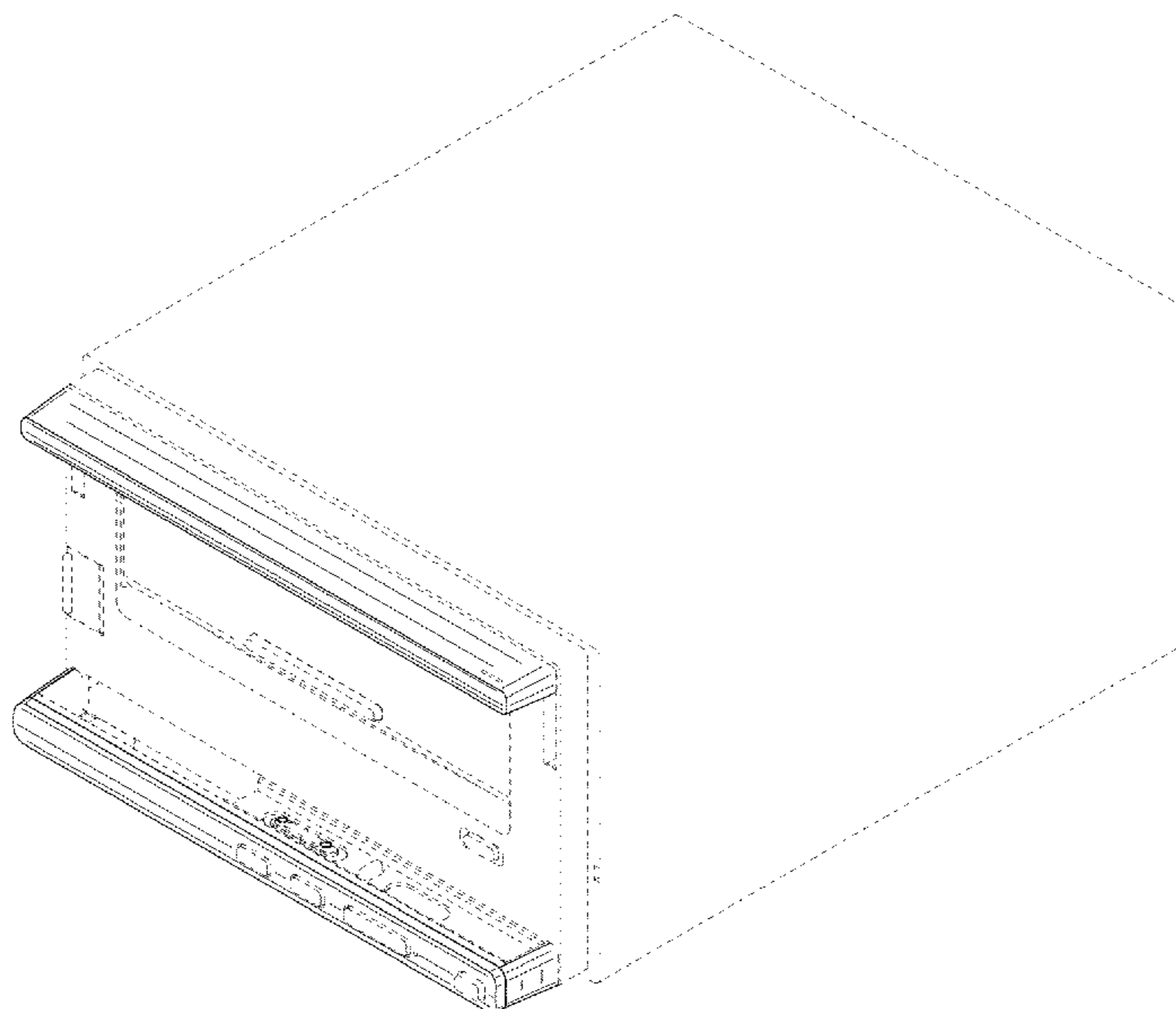


FIG.1

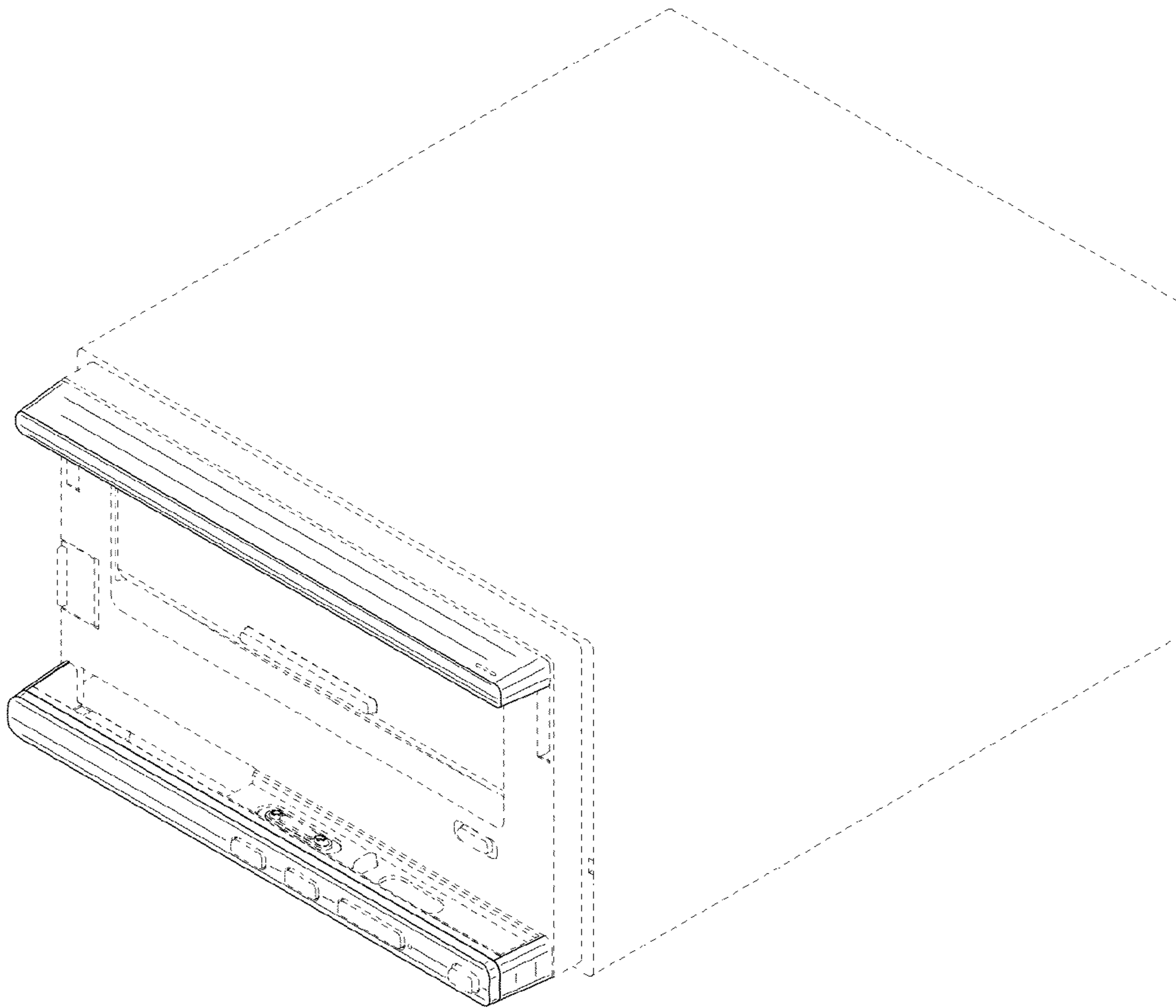


FIG.2

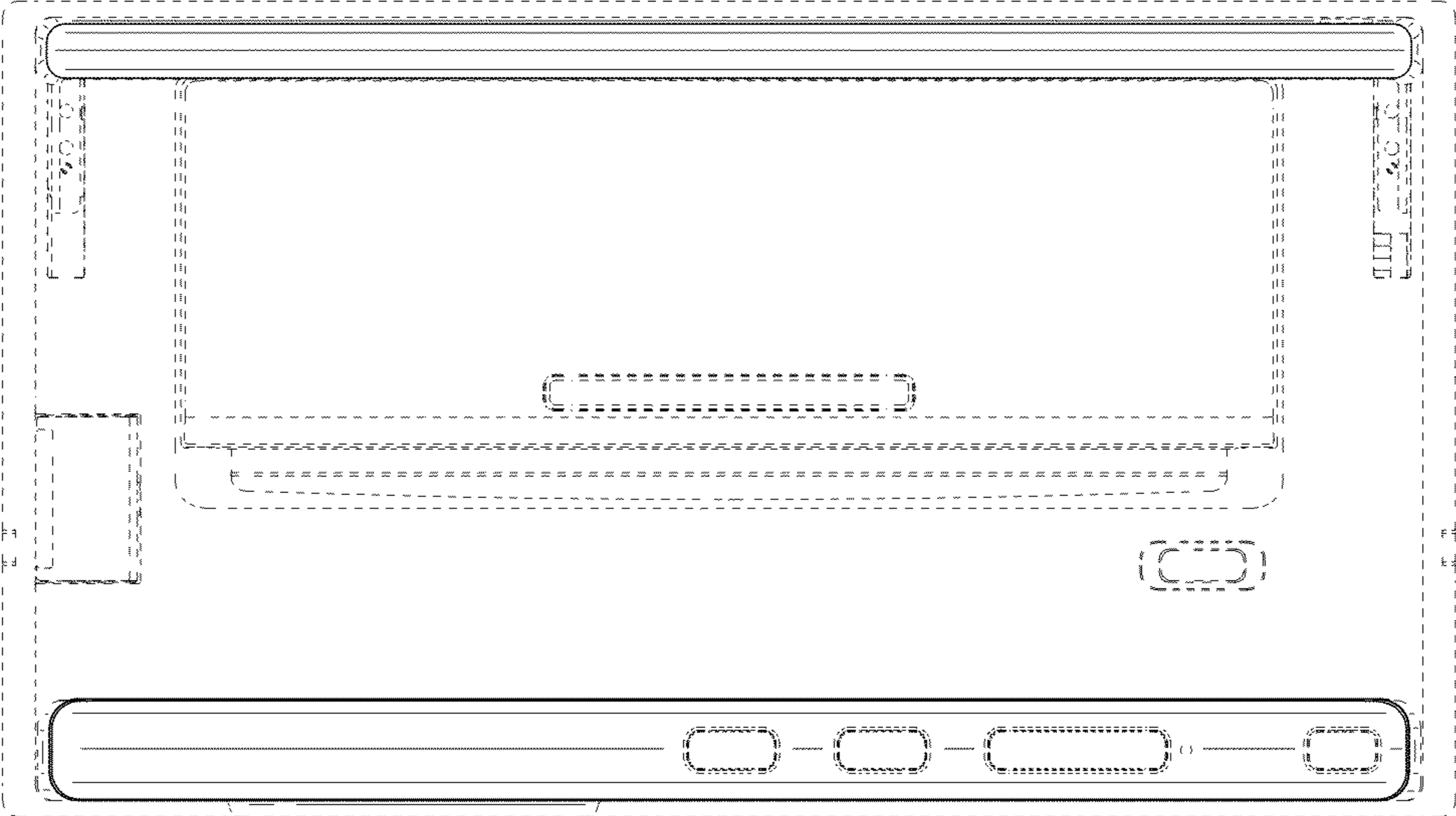


FIG.3



FIG.4



FIG.5

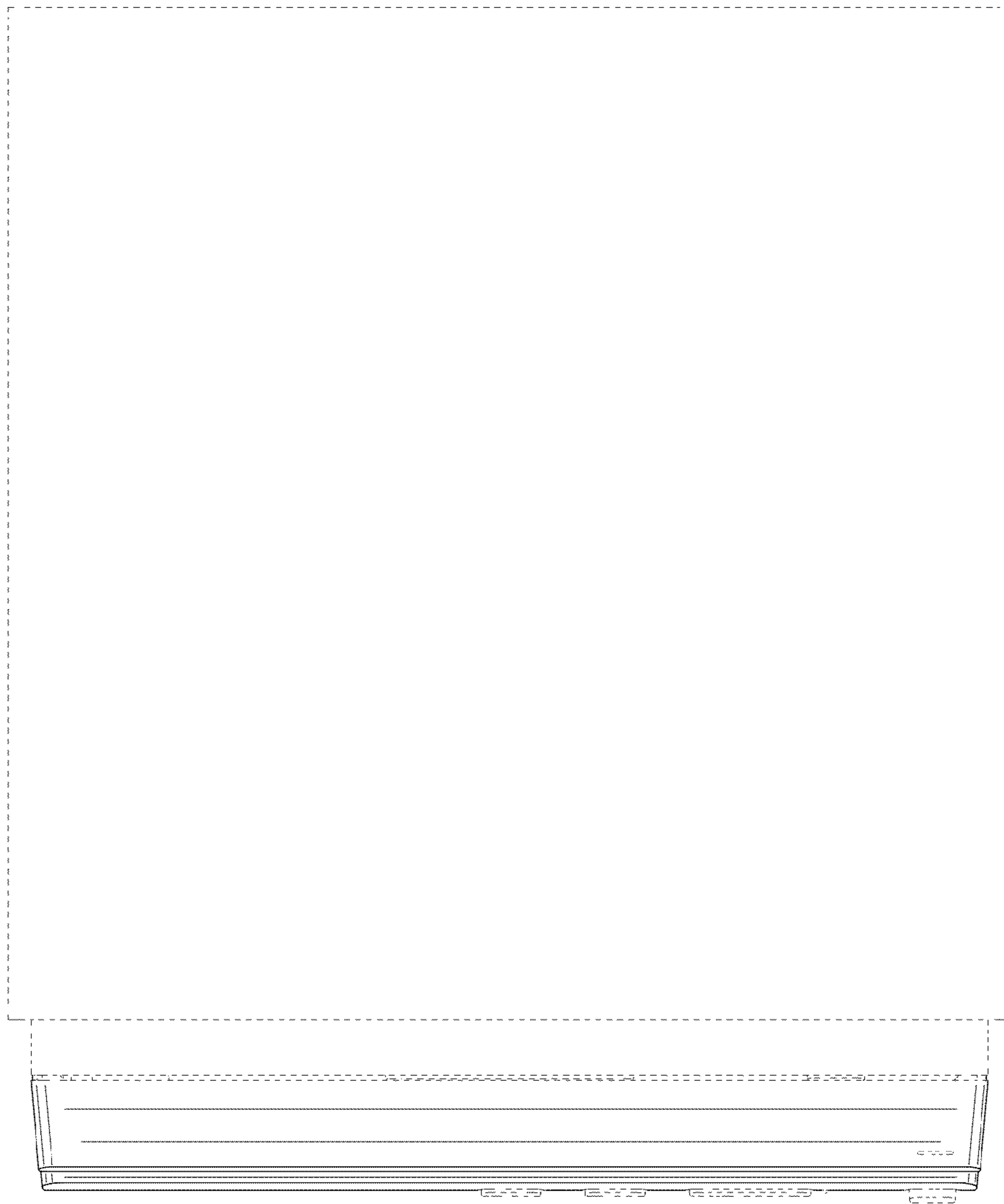


FIG.6

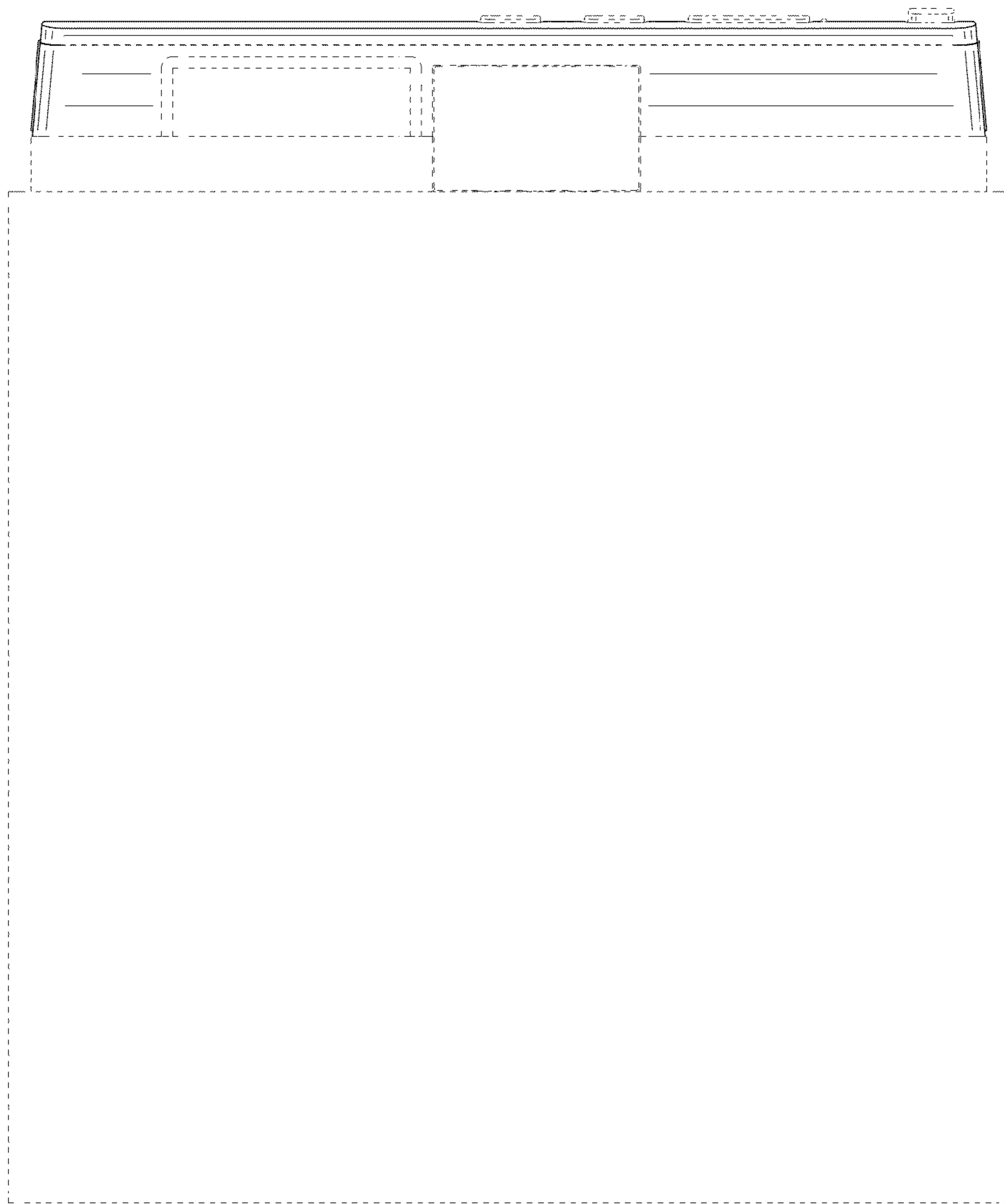


FIG.7

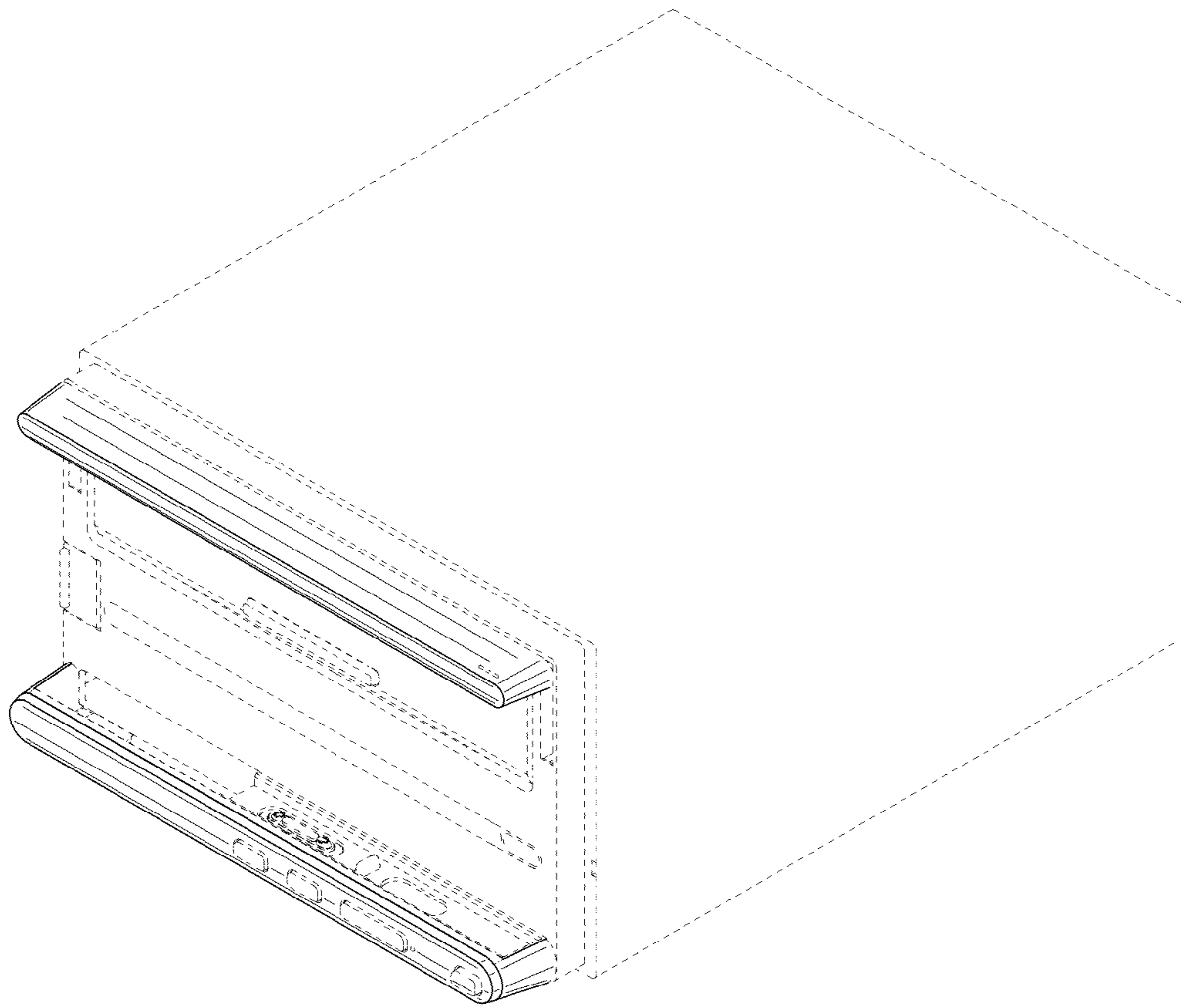


FIG.8

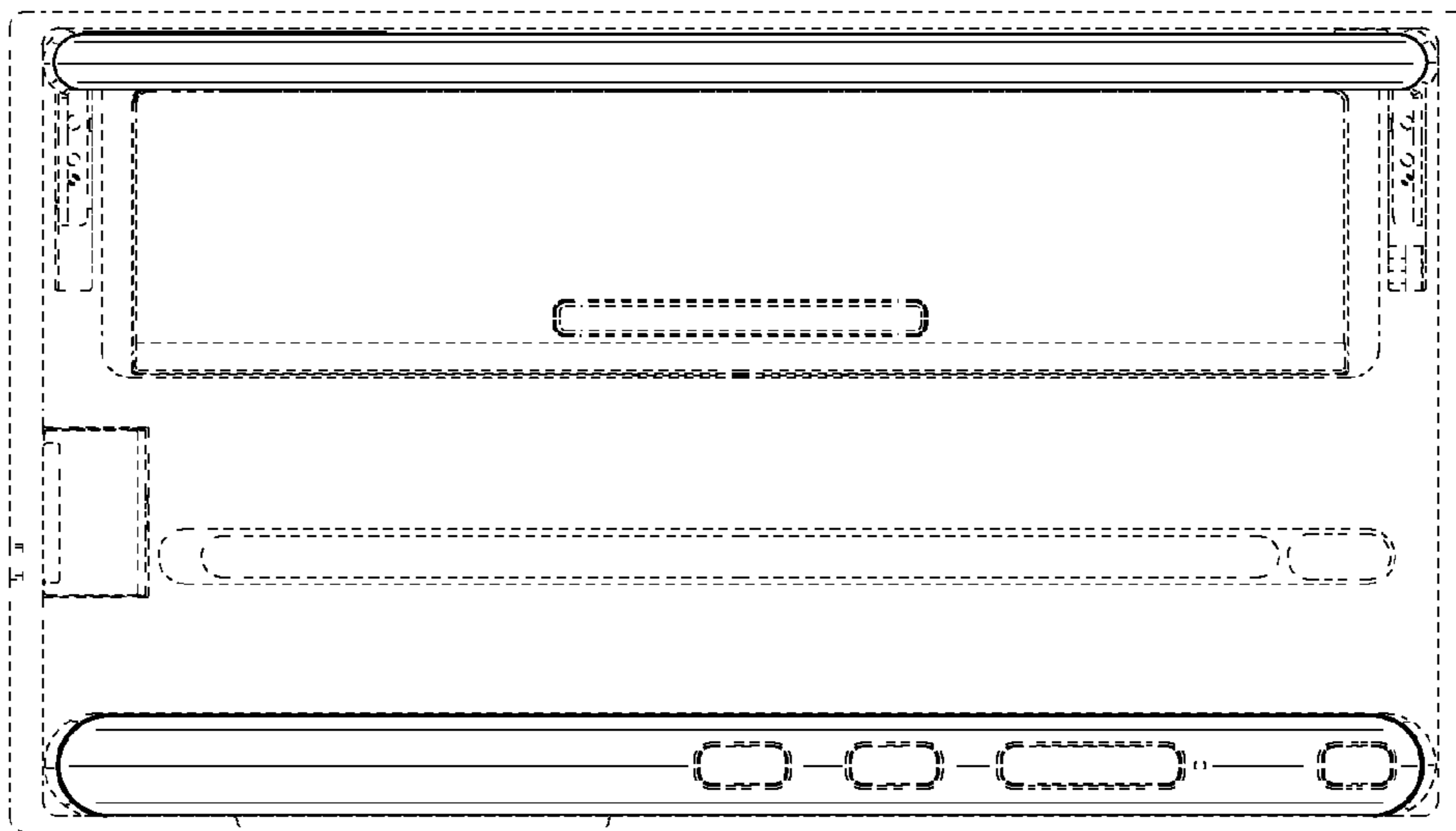


FIG.9

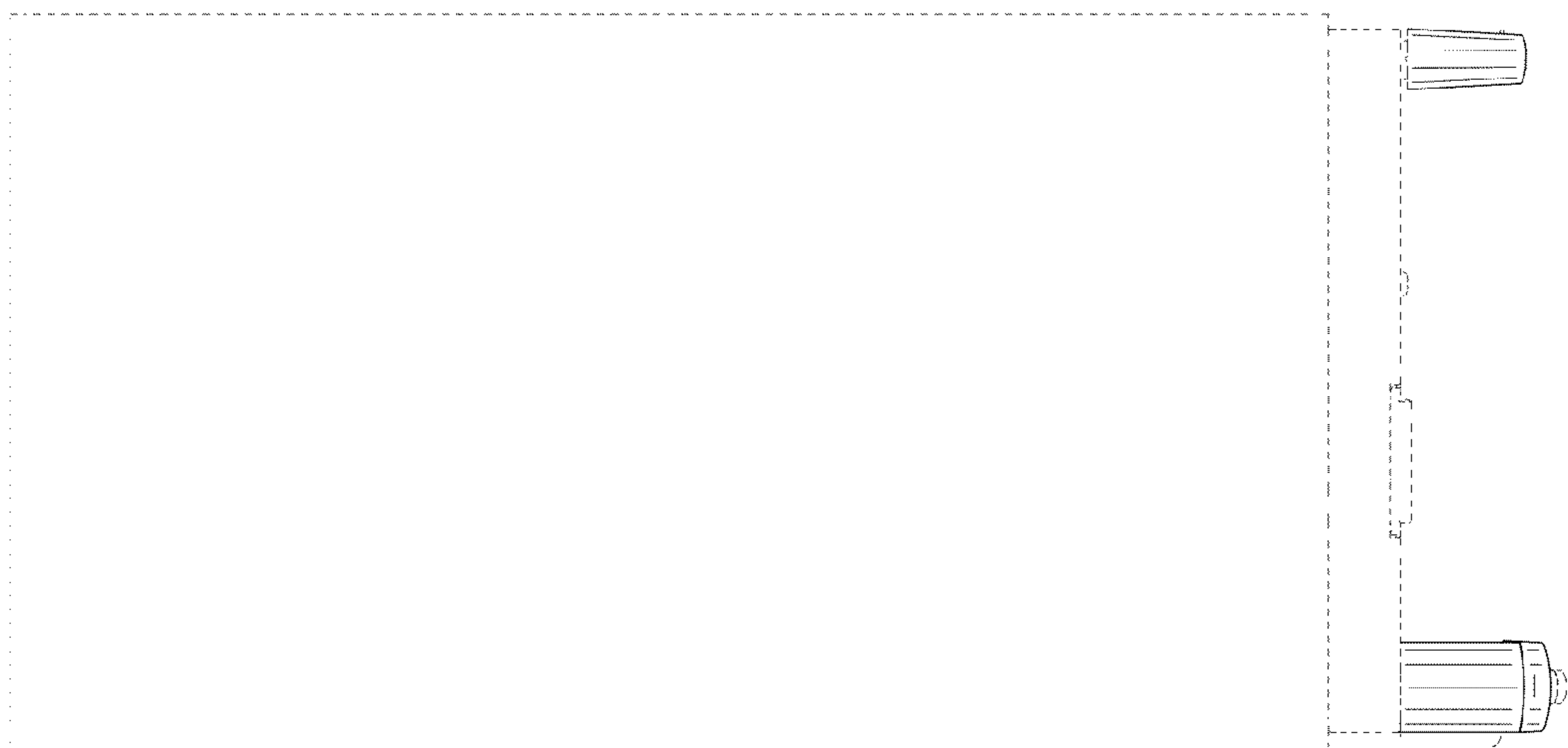


FIG.10



FIG.11

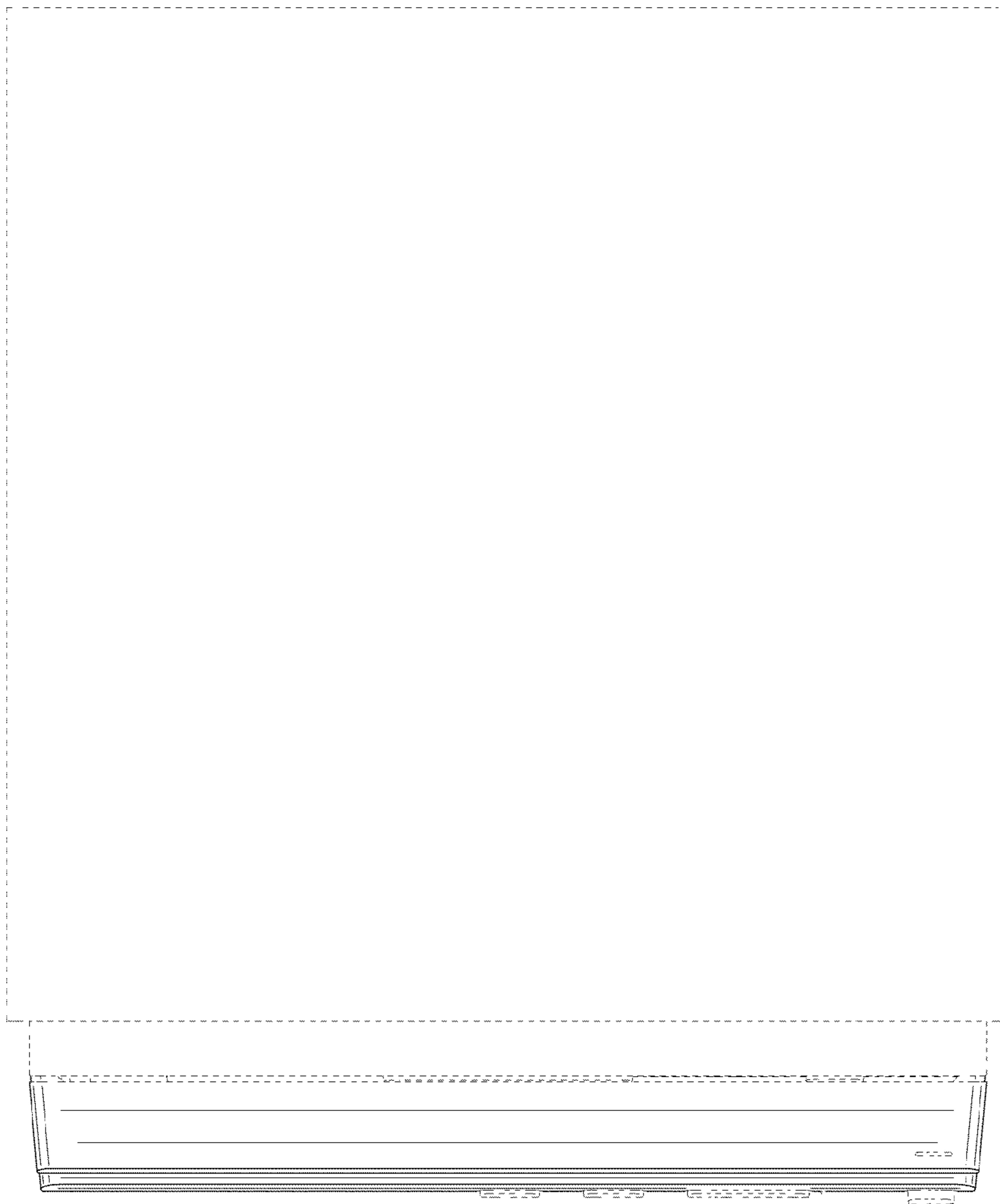


FIG.12

