



US00D732013S

(12) **United States Design Patent**
Aspinall et al.

(10) **Patent No.:** **US D732,013 S**
(45) **Date of Patent:** **** Jun. 16, 2015**

(54) **MOBILE HOLDER**

- (71) Applicant: **IOTTIE, INC.**, Hackensack, NJ (US)
- (72) Inventors: **John Aspinall**, Staten Island, NY (US);
James Byun, Brooklyn, NY (US); **Kyu Seop Lee**, Basking Ridge, NJ (US); **Alan Yu Tung Ng**, New York, NY (US)
- (73) Assignee: **IOTTIE, INC.**, Hackensack, NJ (US)
- (**) Term: **14 Years**
- (21) Appl. No.: **29/504,390**
- (22) Filed: **Oct. 6, 2014**

Related U.S. Application Data

- (63) Continuation of application No. 29/487,537, filed on Apr. 9, 2014, now Pat. No. Des. 718,297.
- (51) **LOC (10) Cl.** **14-03**
- (52) **U.S. Cl.**
USPC **D14/253**
- (58) **Field of Classification Search**
USPC D14/137, 140, 140.8, 142, 204, 209.1, D14/217, 221, 243-256, 434, 440, 444-447, D14/238.1; D8/400-404, 499; D2/861; D3/215, 218, 304, 269; D6/467, 300, D6/310, 553-574; D25/318; 292/342, 343; 248/188.2; 348/373, 376; D12/415, D12/411; D19/87, 90; 455/573, 575.1, 455/575.9

See application file for complete search history.

(56) **References Cited**

U.S. PATENT DOCUMENTS

- 7,158,092 B2 * 1/2007 Shen 343/878
- 7,513,472 B2 * 4/2009 Yang 248/231.81
- D592,205 S * 5/2009 O'Brien D14/253
- D603,322 S * 11/2009 Nicieja D12/415

- D606,065 S * 12/2009 Rihu D14/253
- D614,613 S * 4/2010 Kim et al. D14/253
- D645,462 S * 9/2011 Choi D14/253
- D650,372 S * 12/2011 Molter D14/239
- 8,091,843 B2 * 1/2012 Tsai 248/206.2

(Continued)

Primary Examiner — Susan Bennett Hattan

Assistant Examiner — Janice Hallmark

(74) *Attorney, Agent, or Firm* — Lucas & Mercanti, LLP

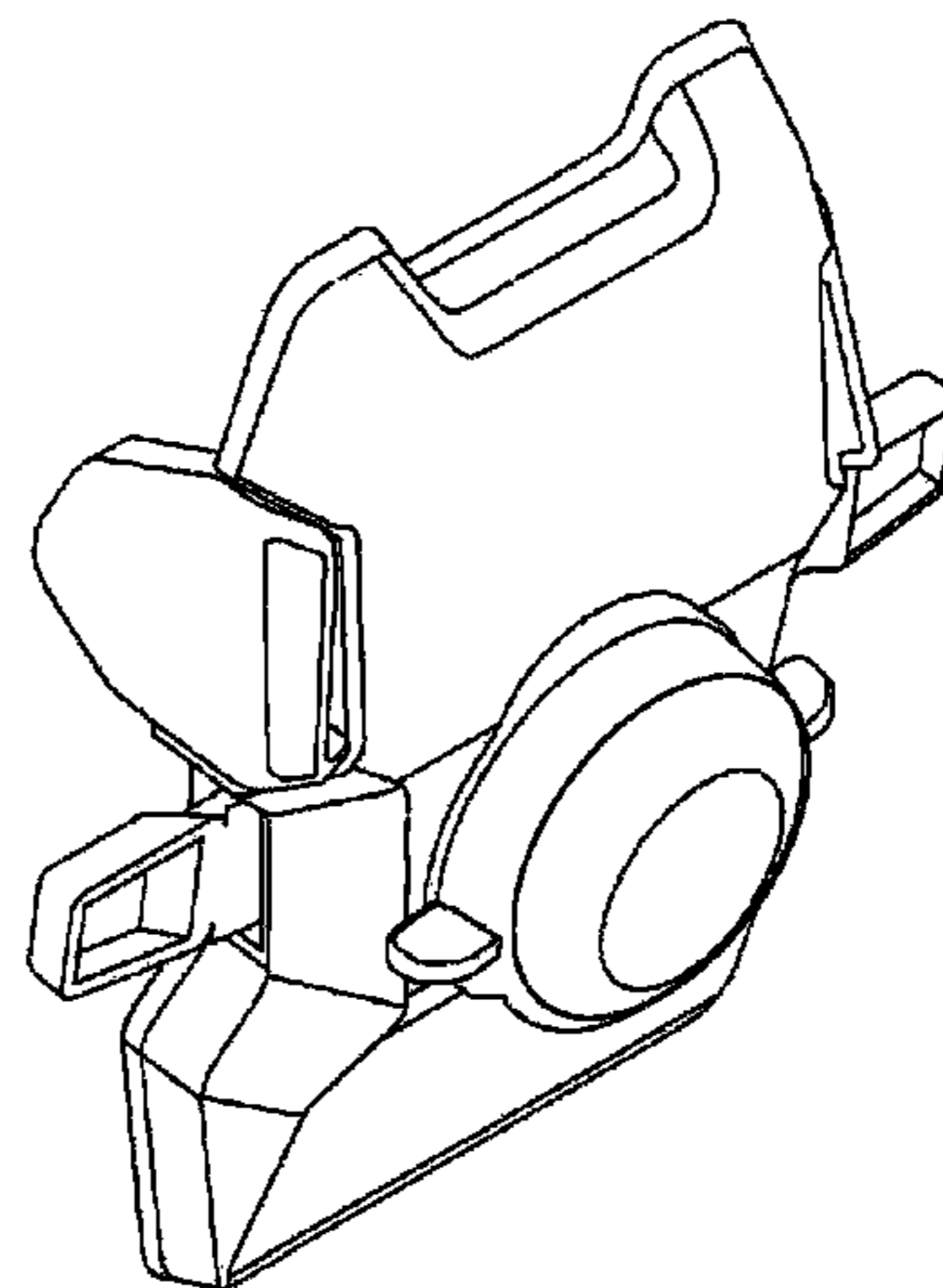
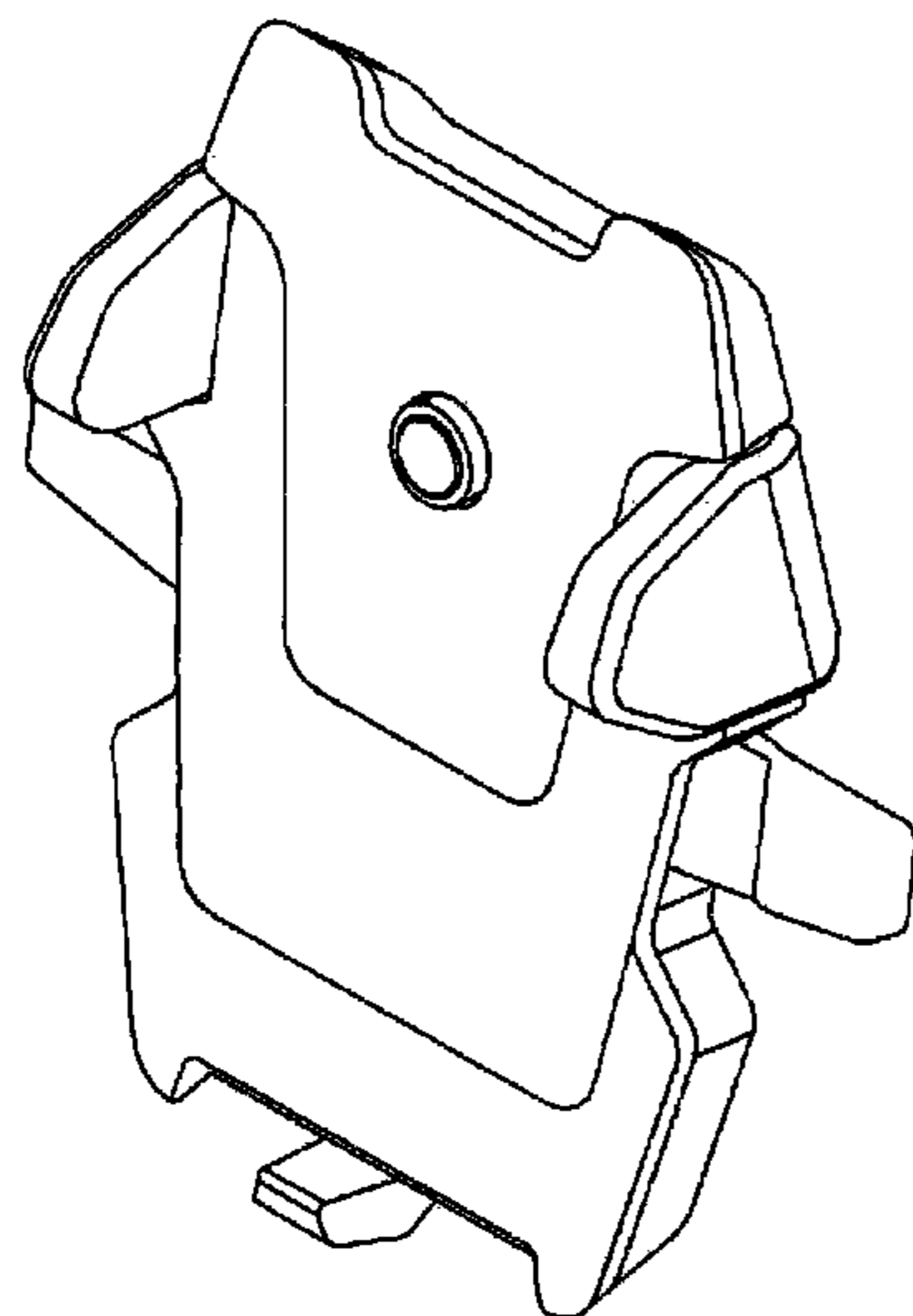
(57) **CLAIM**

The ornamental design for mobile holder, as shown and described.

DESCRIPTION

FIG. 1 is a perspective view of the top, front, and right side of the mobile holder of the present invention;
 FIG. 2 is a perspective view of the top, rear, and right side of the mobile holder of FIG. 1;
 FIG. 3 is a perspective view of a front and a right side of the mobile holder of FIG. 1;
 FIG. 4 is a perspective view of a front and a left side of the mobile holder of FIG. 1;
 FIG. 5 is a side view of the left side of the mobile holder of FIG. 1;
 FIG. 6 is a front view of the mobile holder of FIG. 1;
 FIG. 7 is a top view of the mobile holder of FIG. 1;
 FIG. 8 is a rear view of the mobile holder of FIG. 1;
 FIG. 9 is a side view of the right side of the mobile holder of FIG. 1;
 FIG. 10 is a bottom view of the mobile holder of FIG. 1;
 FIG. 11 is a perspective view of the top, front, and right side of the mobile holder of FIG. 1 shown in an environment of use; and,
 FIG. 12 is a perspective view of the top, rear, and right side of the mobile holder of FIG. 1 shown in an environment of use. The broken line showing of the mobile mount in FIGS. 11 and 12 depicts environmental subject matter only and forms no part of the claimed design.

1 Claim, 12 Drawing Sheets



(56)

References Cited

U.S. PATENT DOCUMENTS

D654,119 S * 2/2012 Lin D21/333
D654,120 S * 2/2012 Lin D21/333
D654,493 S * 2/2012 Baumann et al. D14/253
D655,692 S * 3/2012 Silverman et al. D14/217
D667,003 S * 9/2012 Richter D14/253
D669,459 S * 10/2012 Kim D14/253

D683,724 S * 6/2013 Wada D14/251
D685,379 S * 7/2013 Richter D14/447
D696,241 S * 12/2013 Paugh et al. D14/253
D707,673 S * 6/2014 Lan D14/253
D718,297 S * 11/2014 Aspinall et al. D14/253
D718,298 S * 11/2014 Aspinall et al. D14/253
2002/0191782 A1 * 12/2002 Beger et al. 379/454
2014/0145051 A1 * 5/2014 Gwag 248/298.1

* cited by examiner

Fig. 1

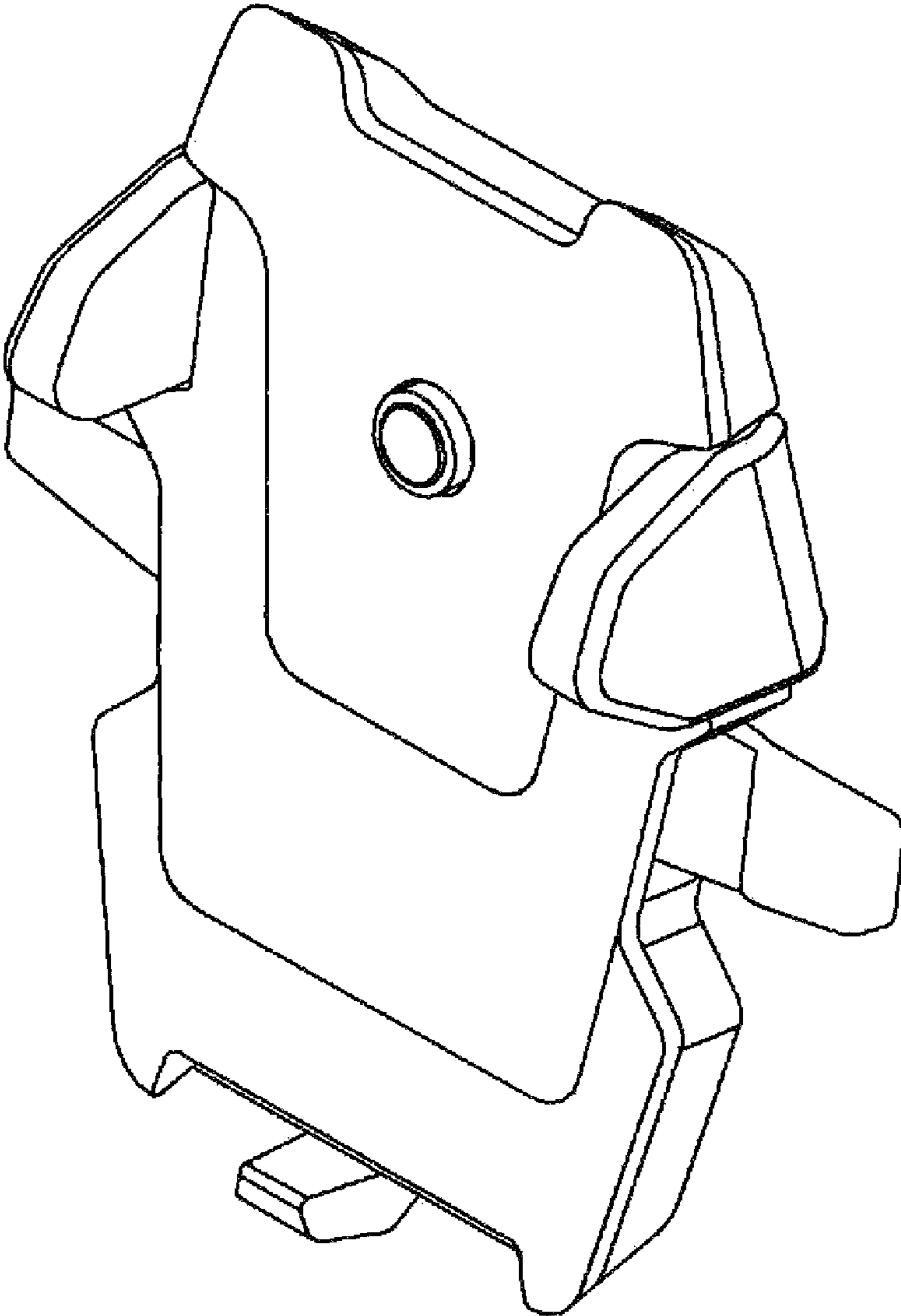


Fig. 2

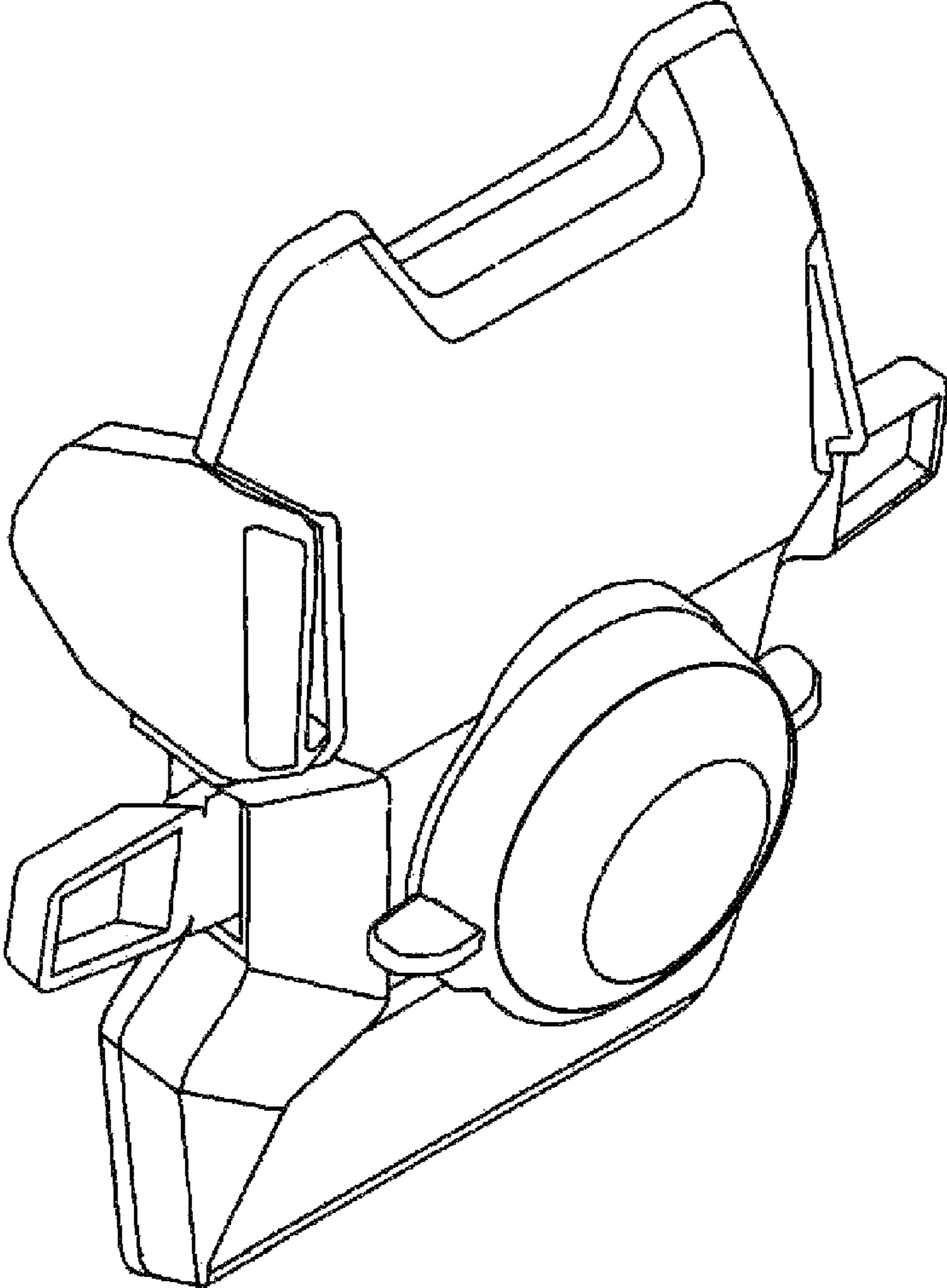


Fig. 3

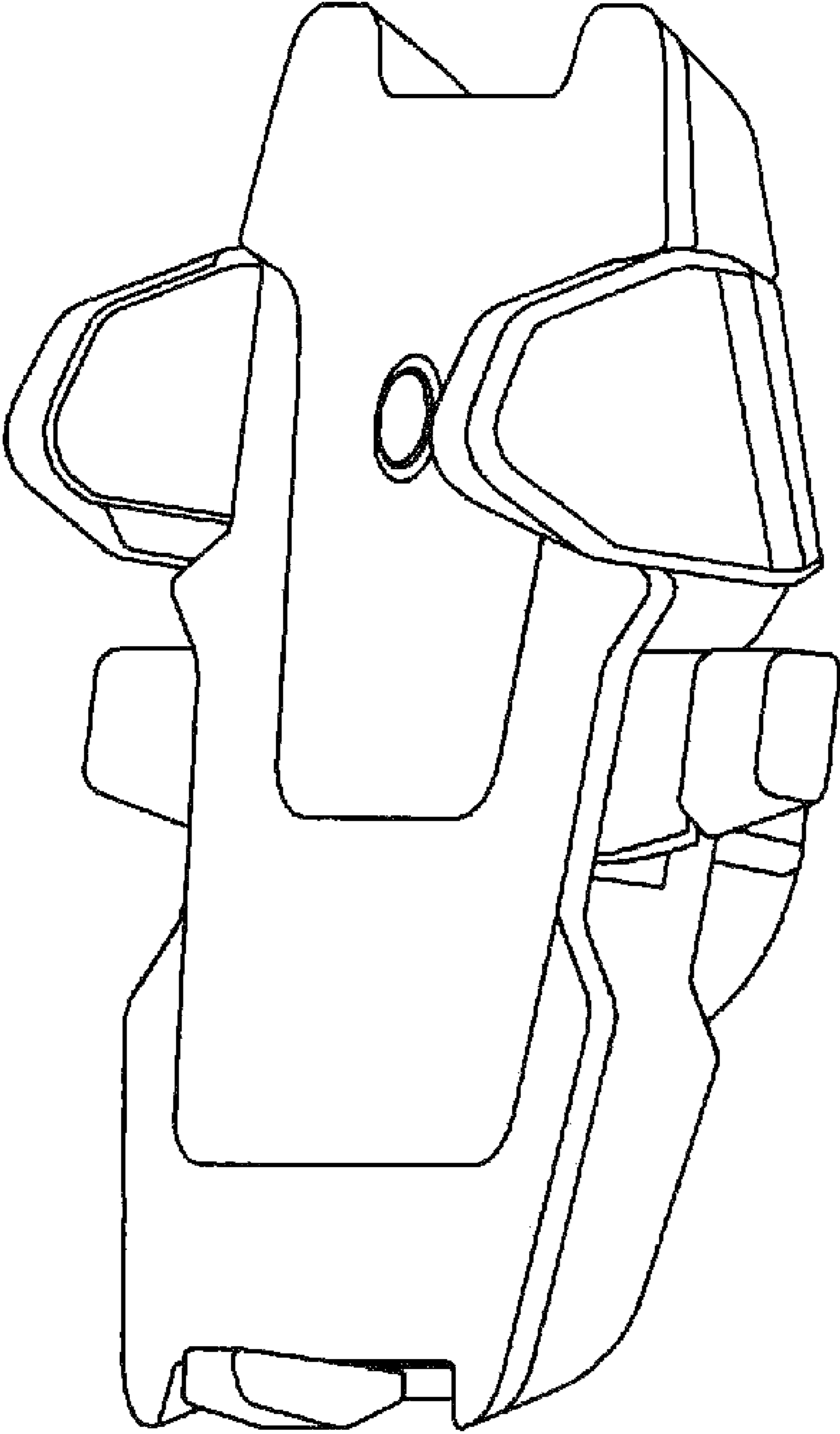


Fig. 4

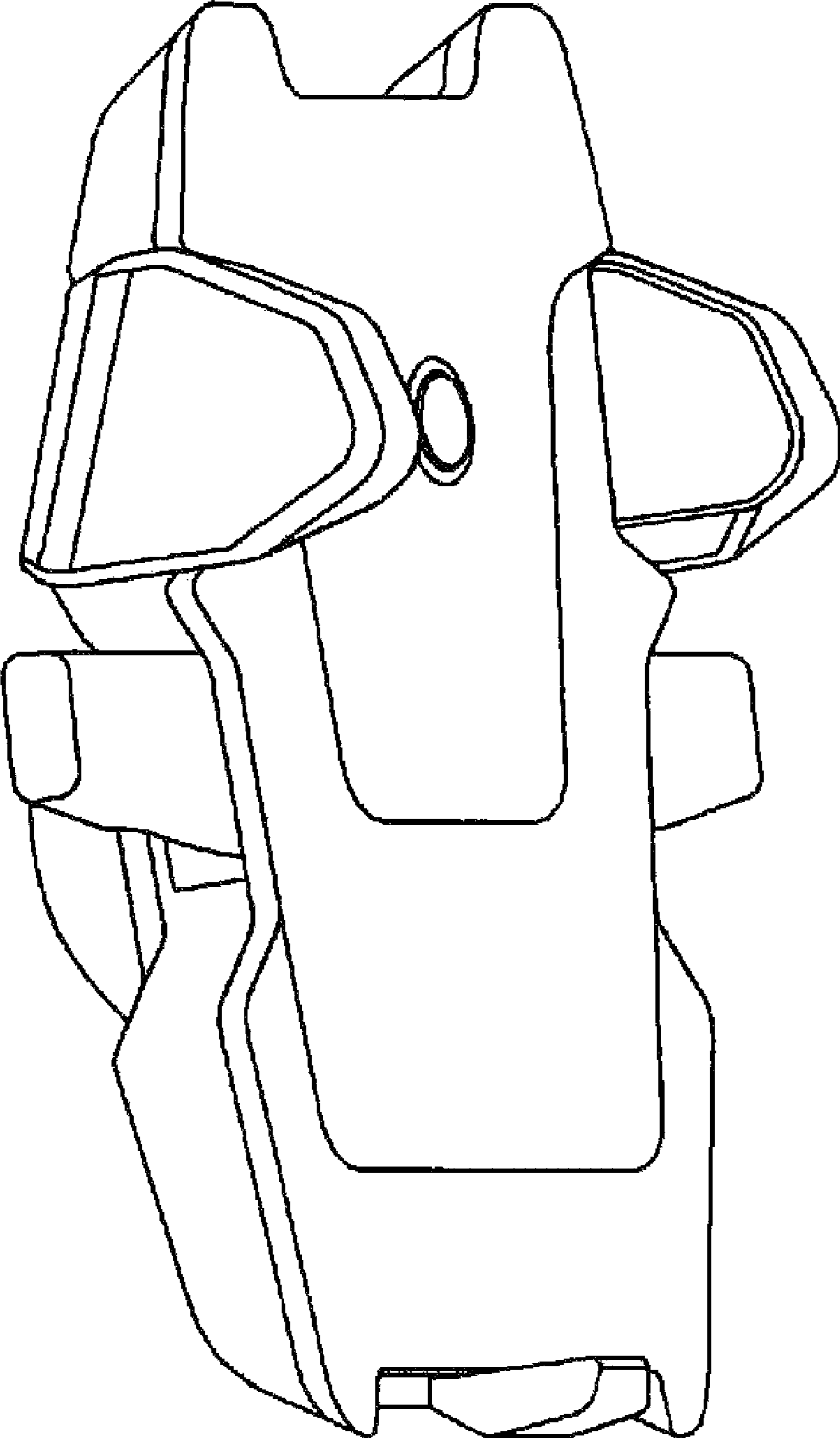


Fig. 5

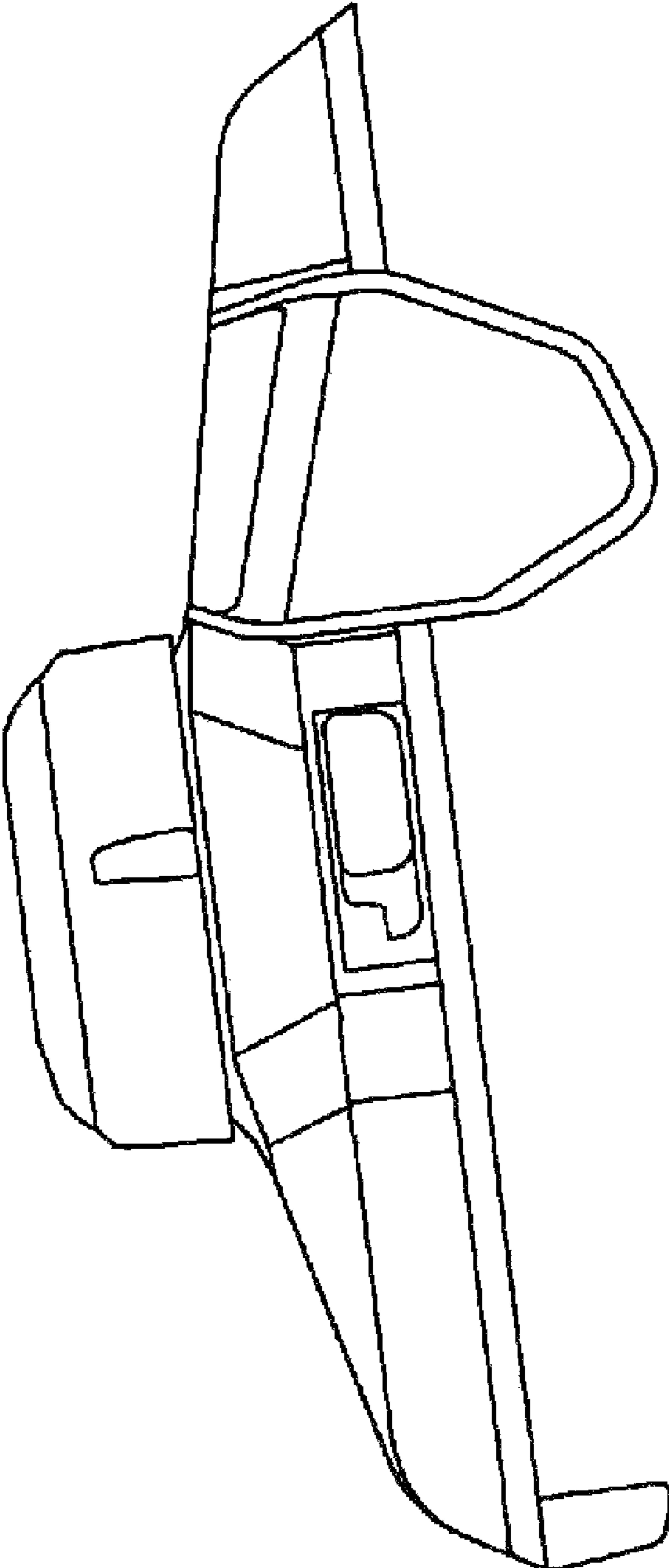


Fig. 6

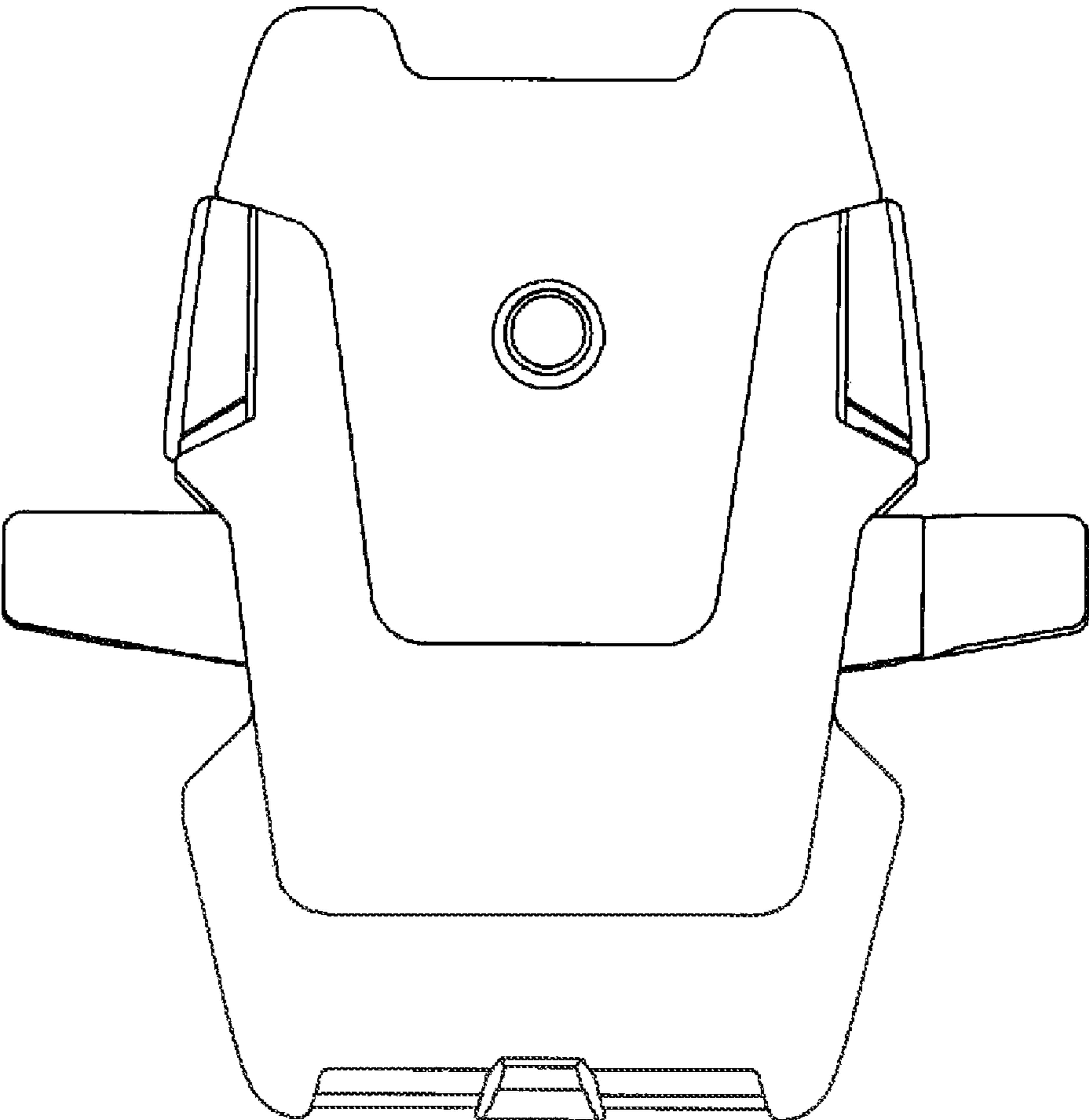


Fig. 7

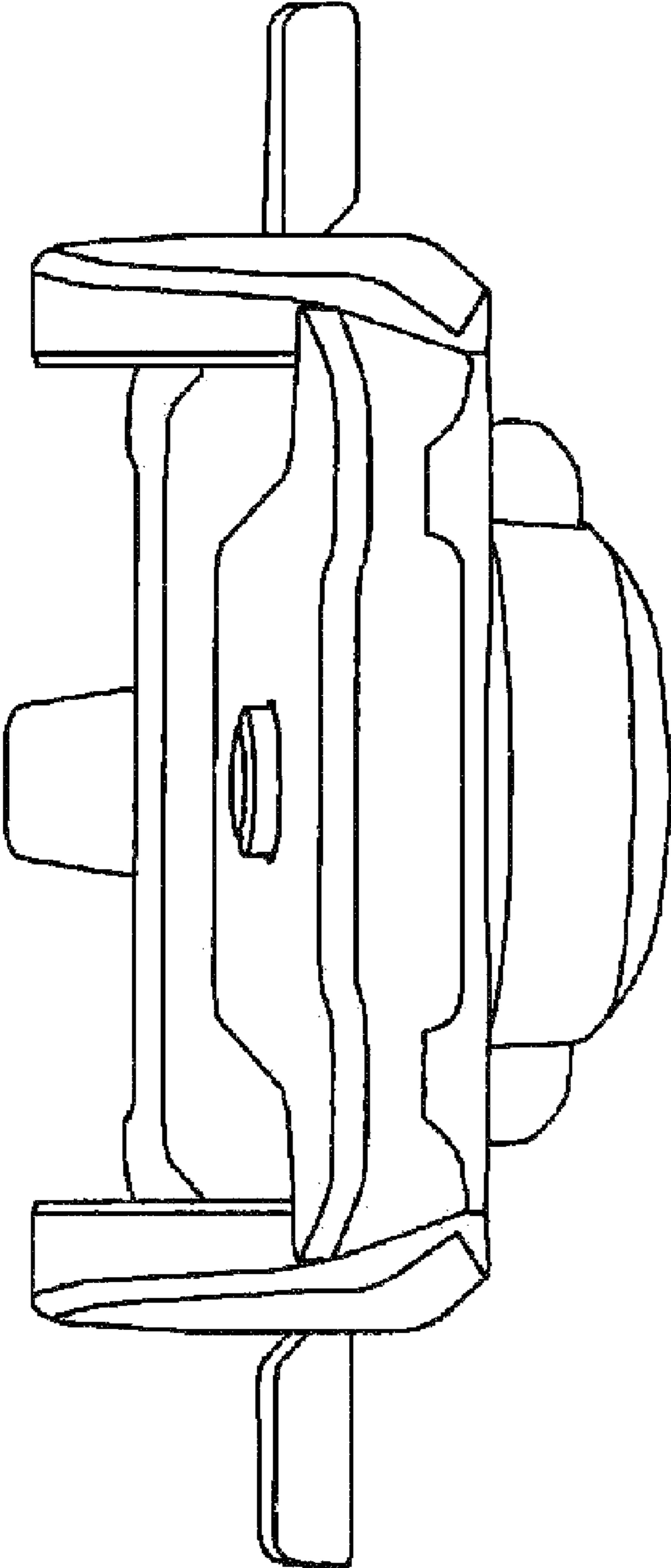


Fig. 8

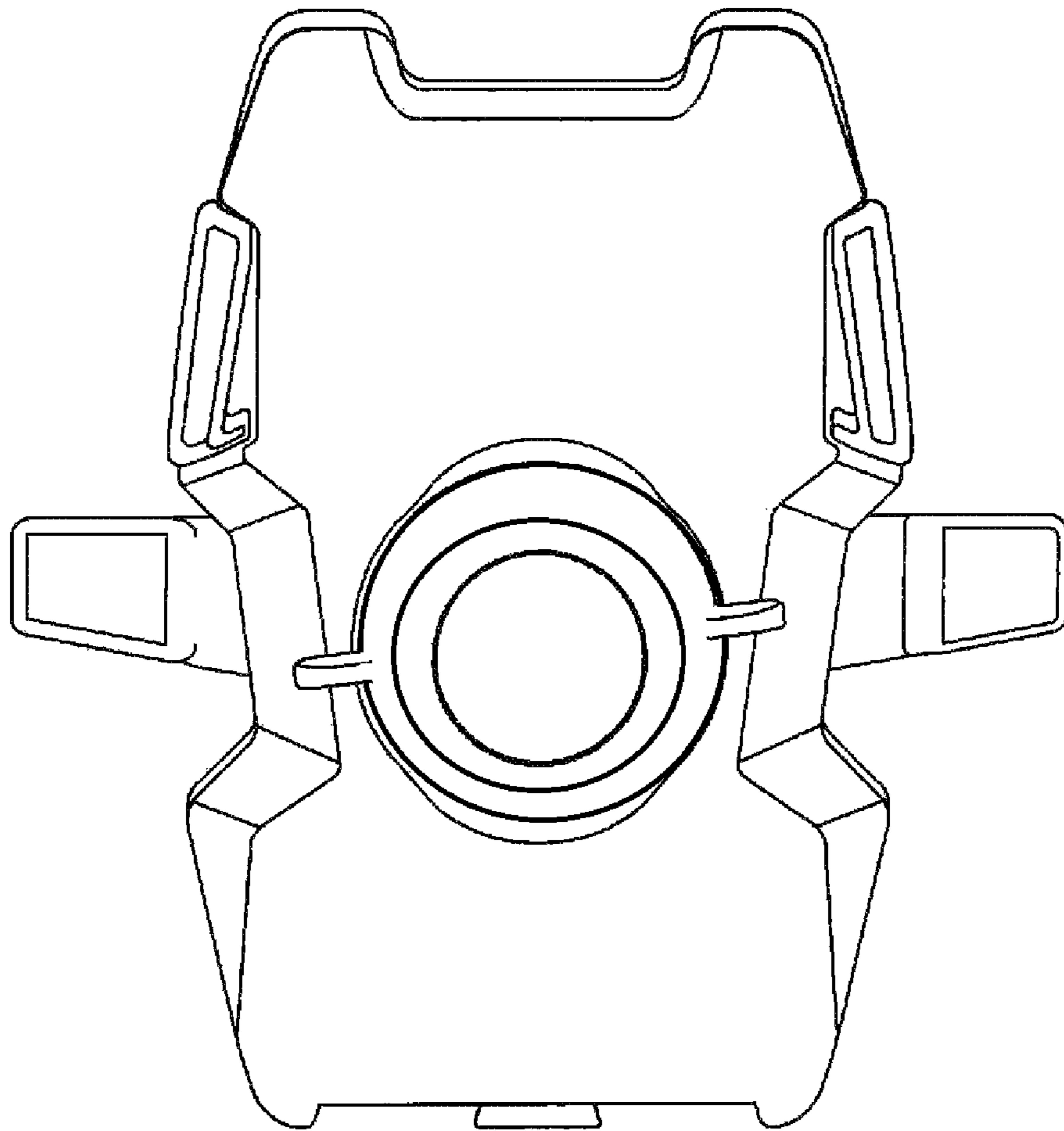


Fig. 9

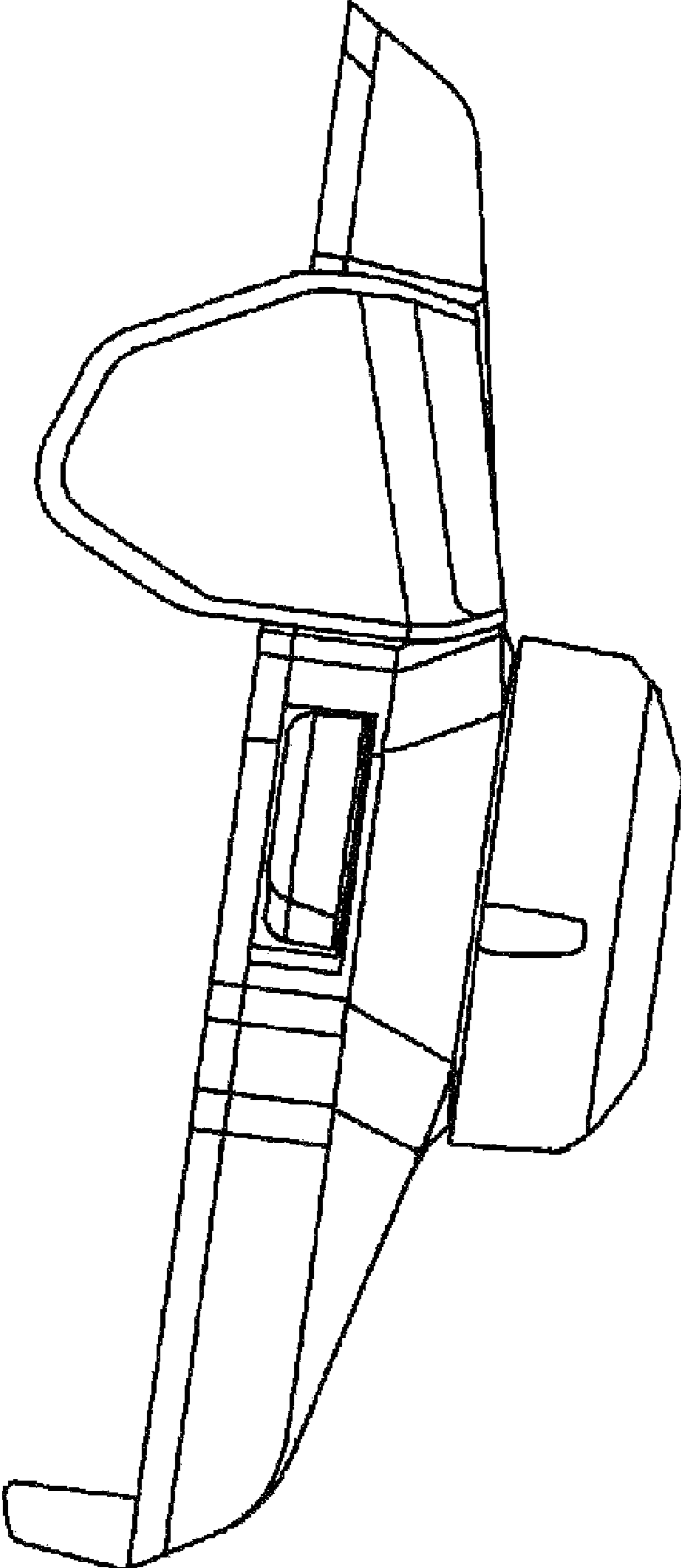


Fig. 10

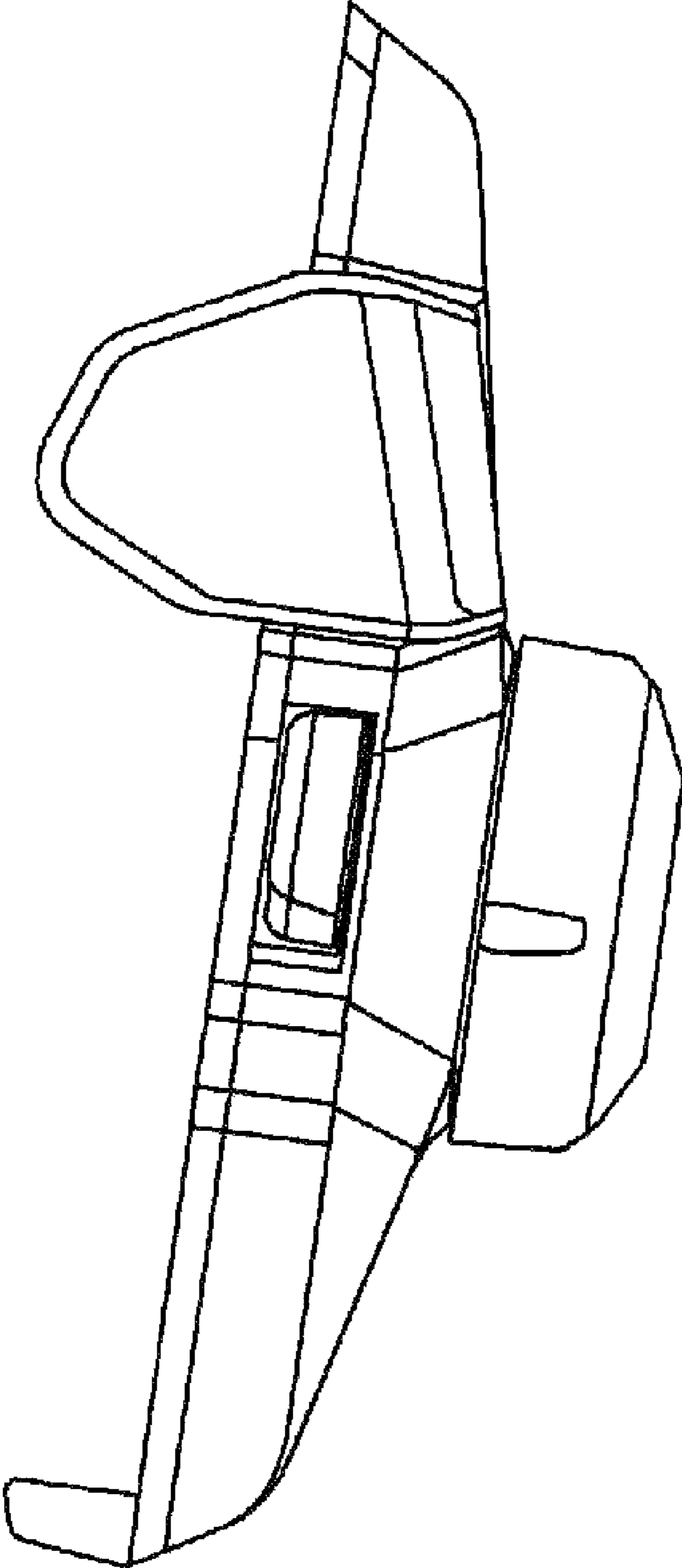


Fig. 11

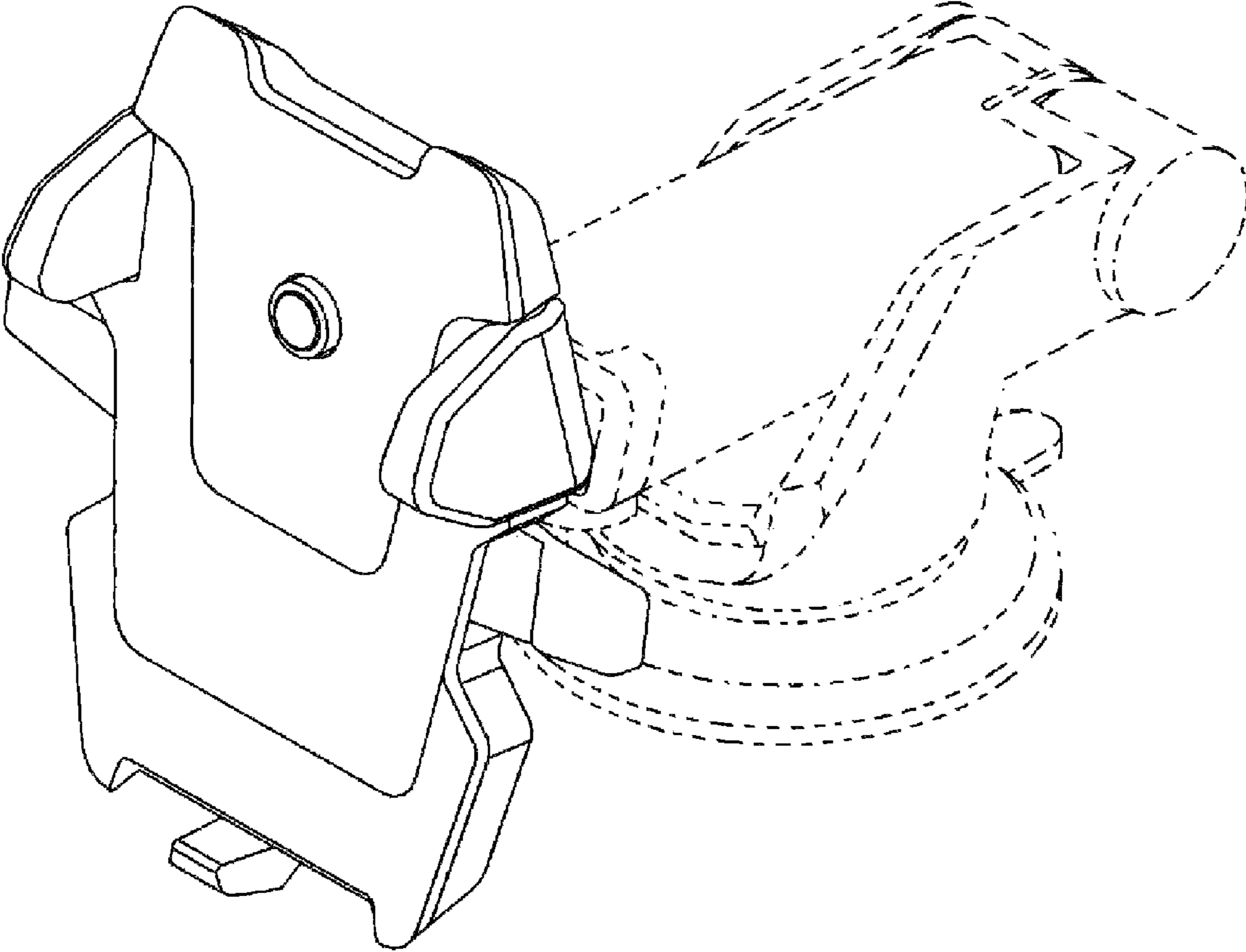


Fig. 12

