



US00D732012S

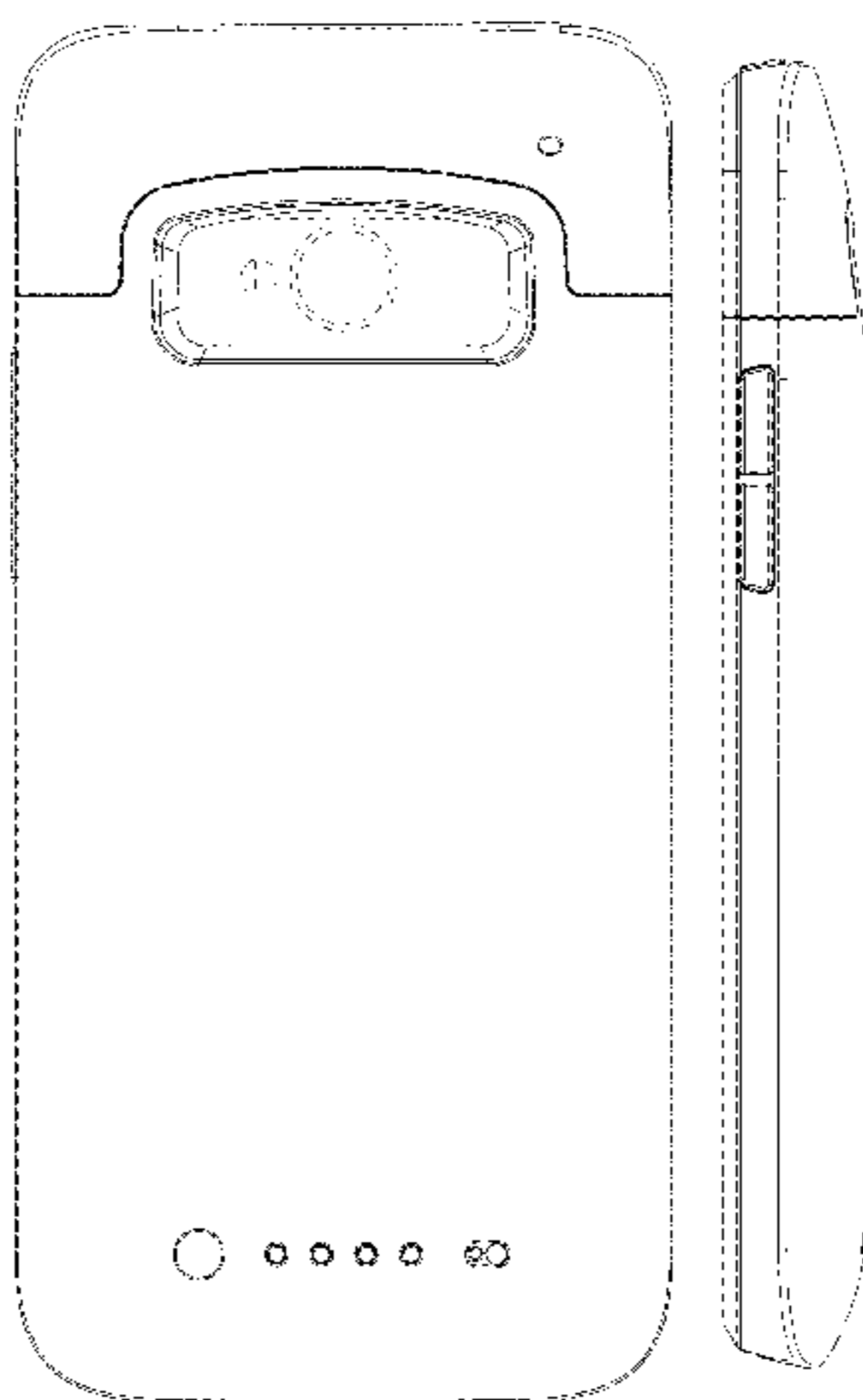
(12) **United States Design Patent**  
**Tsai et al.**

(10) **Patent No.:** **US D732,012 S**  
(45) **Date of Patent:** **\*\* Jun. 16, 2015**

- (54) **CURVED BATTERY CASE FOR A MOBILE DEVICE**
- (71) Applicant: **MOPHIE, INC.**, Tustin, CA (US)
- (72) Inventors: **Denny Tsai**, Temple City, CA (US);  
**Nguyen To**, Corona, CA (US)
- (73) Assignee: **Mophie, Inc.**, Tustin, CA (US)
- (\*\*) Term: **14 Years**
- (21) Appl. No.: **29/451,703**
- (22) Filed: **Apr. 6, 2013**
- (51) **LOC (10) Cl.** ..... **14-03**
- (52) **U.S. Cl.**  
USPC ..... **D14/250**
- (58) **Field of Classification Search**  
USPC ..... D14/250, 137, 138 AA, 217, 238.1, 248,  
D14/251, 252, 253, 346, 440, 496, 356;  
D13/107, 108; 455/575.1, 575.8, 95,  
455/93; 220/4.02; 206/305, 320, 251, 45.2  
See application file for complete search history.

5,711,013 A	1/1998	Collett et al.
D392,248 S	3/1998	Johansson
D392,939 S	3/1998	Finke-Anlauff
5,786,106 A	7/1998	Armani
5,816,459 A	10/1998	Armistead
D400,495 S	11/1998	Deslyper et al.
5,859,481 A	1/1999	Banyas
5,864,766 A	1/1999	Chiang
D405,801 S	2/1999	Nagele et al.
D407,063 S	3/1999	Reis et al.
D407,708 S	4/1999	Nagele et al.
5,896,277 A	4/1999	Leon et al.
5,973,477 A	10/1999	Chang
D417,189 S	11/1999	Amero, Jr. et al.
6,043,626 A	3/2000	Snyder et al.
D424,512 S	5/2000	Ho
6,081,595 A	6/2000	Picaud
D428,019 S	7/2000	Amron
6,082,535 A	7/2000	Mitchell
6,171,138 B1	1/2001	Lefebvre et al.
D438,004 S	2/2001	Watson et al.
6,184,654 B1	2/2001	Bachner, III et al.
D439,218 S	3/2001	Yu
6,201,867 B1	3/2001	Koike
6,208,115 B1	3/2001	Binder
D446,497 S	8/2001	Yu
6,273,252 B1	8/2001	Mitchell
6,313,982 B1	11/2001	Hino
6,317,313 B1	11/2001	Mosgrove et al.
6,324,380 B1	11/2001	Kiuchi et al.
6,346,791 B1	2/2002	Berguirdjian
6,405,056 B1	6/2002	Altschul et al.
D460,411 S	7/2002	Wang
D460,761 S	7/2002	Croley
6,415,138 B2	7/2002	Sirola et al.
6,445,577 B1	9/2002	Madsen et al.
6,471,056 B1	10/2002	Tzeng
D469,427 S	1/2003	Ma et al.
6,536,589 B2	3/2003	Chang
6,538,413 B1	3/2003	Beard et al.
D472,384 S	4/2003	Richardson
6,552,513 B1	4/2003	Li
6,555,990 B1	4/2003	Yang
6,583,601 B2	6/2003	Simoos et al.
6,614,722 B2	9/2003	Polany et al.
6,626,362 B1	9/2003	Steiner et al.
D481,716 S	11/2003	He et al.
D482,529 S	11/2003	Hardigg et al.
6,646,864 B2	11/2003	Richardson
D484,874 S	1/2004	Chang et al.
D485,834 S	1/2004	Davetas
6,701,159 B1	3/2004	Powell
6,708,887 B1	3/2004	Garrett et al.

- (56) **References Cited**  
U.S. PATENT DOCUMENTS
- D267,795 S 2/1983 Mallon
- 4,479,596 A 10/1984 Swanson
- 4,515,272 A 5/1985 Newhouse
- D284,372 S 6/1986 Carpenter
- 4,951,817 A 8/1990 Barletta et al.
- D312,534 S 12/1990 Nelson et al.
- 5,001,772 A 3/1991 Holcomb et al.
- D322,719 S 12/1991 Jayez
- D327,868 S 7/1992 Oka
- 5,360,108 A 11/1994 Alagia
- 5,368,159 A 11/1994 Doria
- 5,383,091 A 1/1995 Snell
- 5,386,084 A 1/1995 Risko
- 5,508,123 A 4/1996 Fan
- D372,896 S 8/1996 Nagele et al.
- 5,586,002 A 12/1996 Notarianni
- 5,604,050 A 2/1997 Brunette et al.
- 5,610,979 A 3/1997 Yu
- 5,708,707 A 1/1998 Halttlunen et al.



# US D732,012 S

6,714,802 B1	3/2004	Barvesten	7,536,099 B2	5/2009	Dalby et al.
6,819,549 B1	11/2004	Lammers-Meis et al.	D593,319 S	6/2009	Richardson et al.
D500,041 S	12/2004	Tsujimoto	D593,746 S	6/2009	Richardson et al.
D506,612 S	6/2005	Rosa et al.	D594,849 S	6/2009	Ko
D508,495 S	8/2005	Bone et al.	7,555,325 B2	6/2009	Goros
D513,123 S	12/2005	Richardson et al.	D597,089 S	7/2009	Khan et al.
6,980,777 B2	12/2005	Shepherd et al.	D597,301 S	8/2009	Richardson et al.
D513,451 S	1/2006	Richardson et al.	D598,407 S	8/2009	Richardson et al.
6,992,461 B2	1/2006	Liang et al.	7,577,462 B2	8/2009	Kumar
D514,808 S	2/2006	Morine et al.	D600,640 S	9/2009	Stein et al.
D516,309 S	3/2006	Richardson et al.	D600,908 S	9/2009	Richardson et al.
D516,553 S	3/2006	Richardson et al.	D601,955 S	10/2009	Ekmekdje
D516,554 S	3/2006	Richardson et al.	D601,959 S	10/2009	Lee et al.
D516,807 S	3/2006	Richardson et al.	D601,960 S	10/2009	Dai
D517,007 S	3/2006	Yong-Jian et al.	7,609,512 B2	10/2009	Richardson et al.
D520,744 S	5/2006	Pangrec et al.	D603,602 S	11/2009	Richardson et al.
7,050,841 B1	5/2006	Onda	D603,603 S	11/2009	Laine et al.
7,069,063 B2	6/2006	Halkosaari et al.	D605,850 S	12/2009	Richardson et al.
D525,582 S	7/2006	Chan	D606,528 S	12/2009	Khan et al.
7,072,699 B2	7/2006	Eiden	D606,529 S	12/2009	Ferrari et al.
7,079,879 B1	7/2006	Sylvester et al.	7,635,086 B2	12/2009	Spencer, II
7,081,736 B2	7/2006	Seil et al.	7,638,969 B2	12/2009	Woud
D526,780 S	8/2006	Richardson et al.	7,647,082 B2	1/2010	Holmberg
D526,958 S	8/2006	Shimizu	D609,228 S	2/2010	Ferrari et al.
D530,079 S	10/2006	Thomas et al.	D609,463 S	2/2010	Bullen
D535,252 S	1/2007	Sandnes	D610,538 S	2/2010	Wu et al.
7,158,376 B2	1/2007	Richardson et al.	7,656,120 B2	2/2010	Neu et al.
7,166,987 B2	1/2007	Lee et al.	7,663,878 B2	2/2010	Swan et al.
D537,063 S	2/2007	Kim et al.	7,667,433 B1	2/2010	Smith
7,180,735 B2	2/2007	Thomas et al.	D610,807 S	3/2010	Bau
7,180,754 B2	2/2007	Qin et al.	D611,042 S	3/2010	Ferrari et al.
7,194,291 B2	3/2007	Peng	D611,478 S	3/2010	Richardson et al.
D540,539 S	4/2007	Gutierrez	D613,282 S	4/2010	Richardson et al.
7,203,467 B2	4/2007	Siddiqui	D615,077 S	5/2010	Richardson et al.
D542,286 S	5/2007	Taniyama et al.	D615,535 S	5/2010	Richardson et al.
D542,524 S	5/2007	Richardson et al.	D615,536 S	5/2010	Richardson et al.
D543,541 S	5/2007	Chung et al.	D615,967 S	5/2010	Richardson et al.
D544,486 S	6/2007	Hussaini et al.	D617,753 S	6/2010	Cheng
7,230,823 B2	6/2007	Richardson et al.	D617,784 S	6/2010	Richardson et al.
D547,056 S	7/2007	Griffin et al.	D617,785 S	6/2010	Richardson et al.
D547,057 S	7/2007	Griffin et al.	D617,786 S	6/2010	Richardson et al.
D550,455 S	9/2007	Barnhart	D617,787 S	6/2010	Richardson et al.
D551,252 S	9/2007	Andre et al.	D618,231 S *	6/2010	Fahrendorff et al. .... D14/250
D551,856 S	10/2007	Ko et al.	7,733,637 B1	6/2010	Lam
D553,857 S	10/2007	Pendergraph et al.	D619,573 S	7/2010	Khan et al.
D556,679 S	12/2007	Weinstein et al.	D619,574 S	7/2010	Richardson et al.
D556,681 S	12/2007	Kim	D619,991 S	7/2010	Huang
D557,205 S	12/2007	Kim	D620,487 S	7/2010	Richardson et al.
D557,264 S	12/2007	Richardson et al.	D621,394 S	8/2010	Richardson et al.
D557,494 S	12/2007	Mayette et al.	D621,395 S	8/2010	Richardson et al.
D557,897 S	12/2007	Richardson et al.	D621,821 S	8/2010	Richardson et al.
7,312,984 B2	12/2007	Richardson et al.	D621,822 S	8/2010	Richardson et al.
D558,667 S	1/2008	Park et al.	7,778,023 B1	8/2010	Mohoney
D558,757 S	1/2008	Andre et al.	D623,179 S	9/2010	Richardson et al.
D558,972 S	1/2008	Oh	D623,180 S	9/2010	Diebel
D558,973 S	1/2008	Hussaini et al.	D623,638 S	9/2010	Richardson et al.
D559,267 S	1/2008	Griffin	D623,639 S	9/2010	Richardson et al.
D560,229 S	1/2008	Yagi	D623,640 S	9/2010	Freeman
D561,092 S	2/2008	Kim	D624,317 S	9/2010	Wenchel et al.
7,336,973 B2	2/2008	Goldthwaite et al.	D624,533 S	9/2010	Richardson et al.
D563,093 S	3/2008	Nussberger	D624,908 S	10/2010	Huskinson
7,343,184 B2	3/2008	Rostami	D624,909 S	10/2010	Huskinson
D565,291 S	4/2008	Brandenburg et al.	D624,910 S	10/2010	Richardson et al.
7,400,917 B2	7/2008	Wood et al.	D625,303 S	10/2010	Kim
D574,326 S	8/2008	Lim	D626,120 S	10/2010	Richardson et al.
D574,819 S	8/2008	Andre et al.	D626,121 S	10/2010	Richardson et al.
D575,056 S	8/2008	Tan	D626,538 S	11/2010	Brown et al.
7,428,427 B2	9/2008	Brunstrom et al.	D626,539 S	11/2010	Brown et al.
D577,904 S	10/2008	Sasaki	D626,540 S	11/2010	Brown et al.
D581,151 S	11/2008	Aipa	D626,964 S	11/2010	Richardson et al.
D581,155 S	11/2008	Richardson et al.	D628,568 S	12/2010	Richardson et al.
D581,421 S	11/2008	Richardson et al.	D628,994 S	12/2010	Griffin, Jr. et al.
D582,149 S	12/2008	Tan	7,859,222 B2	12/2010	Woud
7,464,814 B2	12/2008	Carnevali	D631,246 S	1/2011	Boettner
D584,732 S	1/2009	Cho et al.	7,863,856 B2	1/2011	Sherman et al.
7,479,759 B2	1/2009	Vilanov et al.	7,863,862 B2	1/2011	Idzik et al.
D587,008 S	2/2009	Richardson et al.	D631,877 S *	2/2011	Rak et al. .... D14/250
D587,896 S	3/2009	Aipa	D632,648 S	2/2011	Yang
D589,016 S	3/2009	Richardson et al.	D632,683 S	2/2011	Richardson et al.

# US D732,012 S

D632,684 S	2/2011	Richardson et al.	D671,105 S	11/2012	Rothbaum et al.
D632,685 S	2/2011	Richardson et al.	D671,106 S	11/2012	Rothbaum et al.
D632,686 S	2/2011	Magness et al.	8,321,619 B2	11/2012	Kular et al.
7,889,489 B2	2/2011	Richardson et al.	8,328,008 B2	12/2012	Diebel et al.
D634,704 S	3/2011	Tielemans et al.	D674,394 S	1/2013	Kajimoto
D634,741 S	3/2011	Richardson et al.	D675,603 S	2/2013	Melanson et al.
7,899,397 B2	3/2011	Kumar	D676,032 S	2/2013	Stump et al.
7,907,394 B2	3/2011	Richardson et al.	8,380,264 B2	2/2013	Hung et al.
D636,386 S	4/2011	Richardson et al.	D677,249 S	3/2013	Li et al.
D636,387 S	4/2011	Willes et al.	D678,869 S	3/2013	Diebel
7,930,011 B2	4/2011	Shi et al.	D679,271 S	4/2013	Liu
7,933,122 B2	4/2011	Richardson et al.	D679,684 S	4/2013	Baker et al.
D637,588 S	5/2011	Richardson et al.	D682,196 S	5/2013	Leung
D637,589 S	5/2011	Willes et al.	8,452,242 B2	5/2013	Spencer, II
D637,590 S	5/2011	Michie et al.	8,457,701 B2	6/2013	Diebel
D637,591 S	5/2011	Willes et al.	D685,356 S	7/2013	Diebel
D637,592 S	5/2011	Magness et al.	D686,152 S	7/2013	Lee et al.
D637,952 S	5/2011	Tan	D686,606 S	7/2013	Hong
D638,005 S	5/2011	Richardson et al.	D687,426 S	8/2013	Requa
D638,411 S	5/2011	Willes et al.	8,499,933 B2	8/2013	Ziamba
D638,413 S	5/2011	Magness et al.	8,505,718 B2	8/2013	Griffin, Jr. et al.
D638,414 S	5/2011	Magness et al.	8,509,864 B1	8/2013	Diebel
D638,828 S	5/2011	Melanson et al.	D691,990 S	10/2013	Rayner
D638,829 S	5/2011	Melanson et al.	8,560,014 B1	10/2013	Hu et al.
D638,830 S	5/2011	Magness et al.	D693,801 S	11/2013	Rayner
D639,731 S	6/2011	Sun	8,579,172 B2	11/2013	Monaco et al.
D640,679 S	6/2011	Willes et al.	D697,502 S *	1/2014	Chu et al. .... D14/250
D640,680 S	6/2011	Magness et al.	D704,688 S *	5/2014	Reivo et al. .... D14/250
7,957,524 B2	6/2011	Chipping	D710,795 S *	8/2014	Gupta et al. .... D13/103
D641,013 S	7/2011	Richardson et al.	D711,312 S *	8/2014	Tien .... D13/103
D641,014 S	7/2011	Smith et al.	2001/0054148 A1	12/2001	Hoornaert et al.
D641,974 S	7/2011	Stampfli	2002/0111189 A1	8/2002	Chou
D642,170 S	7/2011	Johnson et al.	2002/0147035 A1	10/2002	Su
D642,171 S	7/2011	Melanson et al.	2002/0197965 A1	12/2002	Peng
D642,558 S	8/2011	Magness	2003/0000984 A1	1/2003	Vick, III
D643,029 S	8/2011	Feng	2003/0096642 A1	5/2003	Bessa et al.
D643,424 S	8/2011	Richardson et al.	2003/0151890 A1	8/2003	Huang et al.
D644,215 S	8/2011	Dong	2003/0218445 A1	11/2003	Behar
D644,216 S	8/2011	Richardson et al.	2003/0228866 A1	12/2003	Pezeshki
D644,219 S	8/2011	Sawada	2004/0096054 A1	5/2004	Nuovo
7,988,010 B2	8/2011	Yang et al.	2004/0097256 A1	5/2004	Kujawski
D644,635 S	9/2011	Richardson et al.	2004/0104268 A1	6/2004	Bailey
D644,639 S	9/2011	Weller et al.	2005/0090301 A1	4/2005	Lange et al.
D647,084 S	10/2011	Fathollahi	2005/0093510 A1	5/2005	Seil et al.
D647,108 S	10/2011	Lee	2005/0116684 A1	6/2005	Kim
8,028,794 B1	10/2011	Freeman	2005/0231159 A1	10/2005	Jones et al.
8,046,039 B2	10/2011	Lee et al.	2005/0247787 A1	11/2005	Von Mueller et al.
D648,714 S	11/2011	Jones, III et al.	2005/0248312 A1	11/2005	Cao et al.
D648,715 S	11/2011	Jones, III et al.	2005/0286212 A1	12/2005	Brignone et al.
D648,716 S	11/2011	Jones, III et al.	2006/0010588 A1	1/2006	Schuster et al.
D648,717 S *	11/2011	Fahrendorff et al. .... D14/250	2006/0052064 A1	3/2006	Goradesky
D649,143 S	11/2011	Jones, III et al.	2006/0058073 A1	3/2006	Kim
D649,539 S	11/2011	Hong	2006/0063569 A1	3/2006	Jacobs et al.
D650,810 S	12/2011	Lemelman et al.	2006/0099999 A1	5/2006	Park
D652,827 S *	1/2012	Fahrendorff et al. .... D14/250	2006/0105722 A1	5/2006	Kumar
D652,828 S *	1/2012	Fahrendorff et al. .... D14/250	2006/0105824 A1	5/2006	Kim et al.
D653,659 S *	2/2012	Fahrendorff et al. .... D14/250	2006/0125445 A1	6/2006	Cao et al.
D654,069 S	2/2012	Kwon	2006/0205447 A1	9/2006	Park et al.
D654,483 S	2/2012	Richardson et al.	2006/0255493 A1	11/2006	Fouladpour
D654,931 S	2/2012	Lemelman et al.	2007/0004450 A1	1/2007	Parikh
D655,281 S	3/2012	Turocy	2007/0093140 A1	4/2007	Begic et al.
D655,699 S	3/2012	Bau	2007/0142097 A1	6/2007	Hamasaki et al.
D656,495 S	3/2012	Andre et al.	2007/0152633 A1	7/2007	Lee
D658,165 S	4/2012	Freeman	2007/0161404 A1	7/2007	Yasujima et al.
8,150,485 B2	4/2012	Lee	2007/0167190 A1	7/2007	Moosavi et al.
D658,643 S *	5/2012	Fahrendorff et al. .... D14/250	2007/0225031 A1	9/2007	Bodkin et al.
8,167,127 B2	5/2012	Martin et al.	2007/0236180 A1	10/2007	Rodgers
D662,923 S	7/2012	Piedra et al.	2007/0261978 A1	11/2007	Sanderson
D663,263 S	7/2012	Gupta et al.	2007/0297149 A1	12/2007	Richardson et al.
D663,319 S	7/2012	Chen et al.	2008/0007214 A1	1/2008	Cheng
D664,091 S	7/2012	Pliner et al.	2008/0026803 A1	1/2008	Demuyneck
8,224,408 B2	7/2012	Tomasini et al.	2008/0032758 A1	2/2008	Rostami
D665,386 S	8/2012	Fathollahi	2008/0053770 A1	3/2008	Tynyk
D665,735 S	8/2012	Kang et al.	2008/0096620 A1	4/2008	Lee et al.
8,245,842 B2	8/2012	Bau	2008/0108395 A1	5/2008	Lee et al.
8,247,102 B2	8/2012	Hua	2008/0119244 A1	5/2008	Malhotra
D667,783 S	9/2012	Zhang et al.	2008/0123287 A1	5/2008	Rossell et al.
D670,281 S	11/2012	Corpuz et al.	2008/0132289 A1	6/2008	Wood et al.
D670,689 S	11/2012	Wang	2009/0017883 A1	1/2009	Lin

2009/0051319	A1	2/2009	Fang et al.	
2009/0069050	A1	3/2009	Jain et al.	
2009/0073650	A1	3/2009	Huang et al.	
2009/0108800	A1	4/2009	Woud	
2009/0111543	A1	4/2009	Tai et al.	
2009/0114556	A1	5/2009	Tai et al.	
2009/0117955	A1	5/2009	Lo	
2009/0128092	A1	5/2009	Woud	
2009/0143104	A1	6/2009	Loh et al.	
2009/0144456	A1	6/2009	Gelf et al.	
2009/0146898	A1	6/2009	Akiho et al.	
2009/0160399	A1	6/2009	Woud	
2009/0160400	A1	6/2009	Woud	
2009/0181729	A1	7/2009	Griffin, Jr. et al.	
2009/0186264	A1*	7/2009	Huang .....	429/96
2009/0205983	A1	8/2009	Estlander	
2009/0247244	A1	10/2009	Mittleman et al.	
2009/0284216	A1	11/2009	Bessa et al.	
2009/0301289	A1	12/2009	Gynes	
2009/0314400	A1	12/2009	Liu	
2009/0325657	A1	12/2009	Ramsdell et al.	
2010/0013431	A1	1/2010	Liu	
2010/0022277	A1	1/2010	An et al.	
2010/0026589	A1	2/2010	Dou et al.	
2010/0048267	A1	2/2010	Lin	
2010/0064883	A1	3/2010	Gynes	
2010/0078343	A1	4/2010	Hoellwarth et al.	
2010/0088439	A1	4/2010	Ang et al.	
2010/0093412	A1	4/2010	Serra et al.	
2010/0096284	A1	4/2010	Bau	
2010/0113106	A1	5/2010	Supran	
2010/0195279	A1	8/2010	Michael	
2010/0200456	A1	8/2010	Parkinson	
2010/0203931	A1	8/2010	Hynecek et al.	
2010/0224519	A1*	9/2010	Kao .....	206/320
2010/0243516	A1	9/2010	Martin et al.	
2010/0302716	A1	12/2010	Gandhi	
2010/0328203	A1	12/2010	Hsu	
2011/0049005	A1	3/2011	Wilson et al.	
2011/0055447	A1	3/2011	Costa	
2011/0084081	A1	4/2011	Chung et al.	
2011/0090626	A1	4/2011	Hoellwarth et al.	
2011/0117974	A1	5/2011	Spitalnik et al.	
2011/0136555	A1	6/2011	Ramies et al.	
2011/0199041	A1	8/2011	Yang	
2011/0253569	A1	10/2011	Lord	
2011/0259664	A1*	10/2011	Freeman .....	181/202
2011/0297578	A1	12/2011	Stiehl et al.	
2012/0013295	A1	1/2012	Yeh	
2012/0071214	A1	3/2012	Ash, Jr. et al.	
2012/0088555	A1	4/2012	Hu	
2012/0088558	A1*	4/2012	Song .....	455/575.1
2012/0122520	A1	5/2012	Phillips	
2012/0161696	A1	6/2012	Cook et al.	
2012/0209745	A1	8/2012	Spencer, II	
2012/0282977	A1	11/2012	Haleluk	
2013/0045775	A1	2/2013	Heywood	
2013/0084799	A1	4/2013	Marholev et al.	
2013/0189923	A1	7/2013	Lewin	
2013/0273983	A1	10/2013	Hsu	
2013/0314880	A1	11/2013	Sun et al.	
2014/0165379	A1*	6/2014	Diebel et al. ....	29/592.1

FOREIGN PATENT DOCUMENTS

CN	201252577	6/2009
CN	202364273	8/2012
CN	202535667	11/2012
CN	302573150	9/2013
JP	8-18637	1/1996
JP	2000-175720	6/2000
KR	10-20050027961	3/2005
KR	20-2010-0005030	5/2010
KR	10-2010-0132724	12/2010
KR	10-2011-0005507	1/2011
TW	D150044	11/2012
TW	D156538	10/2013
WO	WO 95/15619	6/1995
WO	WO 97/33497	9/1997

OTHER PUBLICATIONS

International Search Report and Written Opinion of the International Searching Authority for PCT/US2011/037244, dated Jul. 19, 2011.

International Preliminary Report on Patentability for PCT/US2011/037244, dated Nov. 29, 2012.

International Search Report and Written Opinion of the International Searching Authority for PCT/US2011/037249, dated Jul. 13, 2011.

International Preliminary Report on Patentability for PCT/US2011/037249, dated Nov. 29, 2012.

International Search Report and Written Opinion of the International Searching Authority for PCT/US2011/037254, dated Jul. 13, 2011.

International Preliminary Report on Patentability for PCT/US2011/037254, dated Nov. 29, 2012.

International Search Report and Written Opinion of the International Searching Authority for PCT/US2011/037257, dated Sep. 22, 2011.

International Preliminary Report on Patentability for PCT/US2011/037257, dated Nov. 29, 2012.

International Search Report and Written Opinion of the International Searching Authority for PCT/US2012/041768, dated Feb. 27, 2013.

International Preliminary Report on Patentability for PCT/US2012/041768, dated Dec. 27, 2013.

International Search Report and Written Opinion of the International Searching Authority for PCT/US2013/057276, dated Dec. 10, 2013.

International Search Report and Written Opinion of the International Searching Authority for PCT/US2014/017781, dated Jun. 8, 2014.

Mophie Pulse for iPod Touch 4G, [http://www.mophie.com/pulse-iPod-Touch-4th-Gen-vibrating-gaming-case-p/2015\\_PUL-T4-GRY.htm](http://www.mophie.com/pulse-iPod-Touch-4th-Gen-vibrating-gaming-case-p/2015_PUL-T4-GRY.htm).

“Sandberg BatteryCase for iPhone 4/4S delivers more band for your buck,” dated Mar. 15, 2012, <http://www.gizmag.com/sanberg-battery-case-iphone/21839>.

Shawn Brown, “Incase Power Slider battery doubles as a case,” dated Nov. 19, 2008, <http://www.iphonebuzz.com/incase-power-slider-battery-doubles-as-a-case-195224.php>.

Nick Guy, “Incipio offGRID Battery Case for iPhone 5/5s,” dated Oct. 9, 2013, <http://www.ilounge.com/index.php/reviews/entry/incipio-offgrid-battery-case-for-iphone-5-5s/>.

Jeremy Horwitz, “Mophie Juice Pack Plus for iPhone 5,” dated May 21, 2013, <http://www.ilounge.com/index.php/reviews/entry/mophie-juice-pack-plus-for-iphone-5/>.

Nick Guy, “RND Power Solutions Sync & Charge Dock with Lightning Connector,” dated Nov. 18, 2013, <http://www.ilounge.com/index.php/reviews/entry/tylt-energi-sl>.

Jeremy Horwitz, “Kensington Mini Battery Pack and Charger for iPhone and iPod,” dated May 16, 2008, <http://www.ilounge.com/index.php/reviews/entry/kensington-mini-battery-pack-and-charger-for-iphone-and-ipod/>.

Kensington Mini Battery Pack and Charger for iPhone and iPod, dated Sep. 30, 2008, 1 Page.

Sven Rafferty, “Mybat External Battery for iPhone and iPod,” dated May 18, 2008, <http://svenontech.com/reviews/?p=74>.

Dave Rees, “Richard Solo Backup Battery for iPhone / iPod Review,” dated Jun. 16, 2008, [http://the-gadgeteer.com/2008/06/16/richard\\_solo\\_backup\\_battery\\_for\\_iphone\\_ipod/](http://the-gadgeteer.com/2008/06/16/richard_solo_backup_battery_for_iphone_ipod/).

Devin Coldewey, “Combination iPhone battery pack and flash from FastMac,” dated Nov. 4, 2008, <http://crunchgear.com/2008/11/04/combination-iphone-battery-pack-and-flash-from-fastmac/>.

“Cheap DIY iPhone External Battery,” dated Jul. 22, 2008, <http://fastdad.wordpress.com/2008/07/22/cheap-diy-iphone-external-battery/>.

Jeremy Horwitz, “iLuv i603 / i604 Rechargeable Lithium Polymer Batteries with Silicone Skin,” dated Jun. 27, 2006, <http://www.ilounge.com/index.php/reviews/entry/iluv-i603-rechargeable-lithium-polymer-battery-with-silicone-skin/>.

Julie Strietelmeier, “Seidio INNODock Desktop Cradle for Treo 650,” dated Jul. 28, 2005, [http://the-gadgeteer.com/2005/07/28/seidio\\_innodock\\_desktop\\_cradle\\_for\\_treo\\_650/](http://the-gadgeteer.com/2005/07/28/seidio_innodock_desktop_cradle_for_treo_650/).

Brian Nyhuis, “Mophie Juice Pack Battery Case For Samsung Galaxy S III Review,” dated Nov. 28, 2012, [http://www.legitreviews.com/mophie-juice-pack-battery-case-for-samsung-galaxy-s-iii-review\\_2084](http://www.legitreviews.com/mophie-juice-pack-battery-case-for-samsung-galaxy-s-iii-review_2084).

- “PowerSkin Samsung Galaxy S3 Case with Backup Battery,” dated Aug. 19, 2012, <http://gadgets.in.com/powerskin-samsung-galaxy-s3-case-with-backup-battery.htm>.
- “iPhone 4 Case with Battery Pack,” dated Sep. 28, 2010, <http://gadgets.in.com/iphone-4-case-with-battery-pack.htm>.
- Jonathan Pena, “iPhone 5 Cases, Round 3,” dated Sep. 16, 2012, <http://www.technologytell.com/apple/103833/iphone-5-cases-round-3/>.
- Jeremy Horowitz, “Mophie Juice Pack for iPhone,” dated Dec. 7, 2007, <http://www.ilounge.com/index.php/reviews/entry/mophie-juice-pack-for-iphone/>.
- Dr. Macenstein, “Review: Mophie Juice Pack for iPhone,” dated Apr. 27, 2008, <http://macenstein.com/default/archives/1314>.
- Wayne Schulz, “iPhone Extended Battery Review—Mophie Juice Pack,” dated Jun. 17, 2008, <http://www.geardiary.com/2008/06/17/iphone-extended-battery-review-mophie-juice-pack/>.
- Mophie Juice Pack iPhone 1G Product—Figures 1-7—Retrieved from <http://www.mophie.com/products/juice-pack> on Apr. 10, 2009.
- Mophie Juice Pack iPhone 1G Product—Figure 8—Retrieved from <http://www.mophie.com/pages/information/> on Apr. 10, 2009.
- Mophie Juice Pack iPhone 1G Product—Figures 9-14—Retrieved from [http://www.mophie.com/blogs/Juice\\_Pack\\_FAQ](http://www.mophie.com/blogs/Juice_Pack_FAQ) on Apr. 10, 2009.
- Mophie Juice Pack iPhone 1G Product—Figures 15-16—Retrieved from [http://mophie.com/blogs/Juice\\_Pack\\_FAQ](http://mophie.com/blogs/Juice_Pack_FAQ) on Apr. 20, 2009. Figure 16 is dated May 1, 2008.
- Tomas Ratas, “Mophie Juice Pack—iPhone 3G,” dated Dec. 9, 2008, <http://www.testfreaks.com/blog/review/mophie-juice-pack-iphone-3g/>.
- Dr. Macenstein, “Review: Mophie Juice Pack 3G for iPhone,” dated Nov. 27, 2008, <http://macenstein.com/default/archives/1820>.
- Ewdison Then, “Mophie Juice Pack iPhone 3G Review,” dated Nov. 12, 2008, <http://www.slashgear.com/mophie-juice-pack-iphone-3g-review-1222446/>.
- Mophie Juice Pack iPhone 3G Product—Figures 1-8—Retrieved from <http://www.mophie.com/products/juice-pack-iphone-3g> on Apr. 10, 2009.
- Mophie Juice Pack iPhone 3G Product—Figures 9-10—Retrieved from <http://www.mophie.com/pages/iphone-3g-details> on Apr. 10, 2009.
- Mophie Juice Pack iPhone 3G Product—Figures 11-14—Retrieved from [http://mophie.com/blogs/Juice\\_Pack\\_3G\\_FAQ](http://mophie.com/blogs/Juice_Pack_3G_FAQ) on Apr. 10, 2009.
- Mophie Juice Pack iPhone 3G Product—Figures 15-16—Retrieved from <http://mophie.com/blogs/press> on Apr. 20, 2009. Figure 15 is dated Aug. 4, 2008, and Figure 16 is dated Nov. 10, 2008.
- Mophie Juice Pack iPhone 3G User Manual—Retrieved from [http://static3.shopify.com/s/files/1/0008/4942/assets/mophie\\_juice\\_pack\\_3g\\_manual\\_rl.pdf](http://static3.shopify.com/s/files/1/0008/4942/assets/mophie_juice_pack_3g_manual_rl.pdf) on Apr. 10, 2009.
- Panasonic Lithium Ion Batteries Technical Handbook, dated 2007.
- Chris Foresman, “Several Backup Batteries Can Extend Your Daily iPhone 3G Use,” dated Jul. 18, 2008, <http://arstechnica.com/apple/2008/07/several-backup-batteries-can-extend-your-daily-iphone-3g-use/>.
- Using Your Treo 650 Smartphone by palmOne, dated 2005.
- Lisa Gade, “Palm Treo 750,” dated Jan. 17, 2007, <http://www.mobiletechreview.com/phones/Treo-750.htm>.
- Incase Power Slider 3G for iPhone 3G Product Reference, alleged by Incase to be available on Nov. 28, 2008.
- iPhone User’s Guide, 2007.
- “Power Slider,” Web Archive Date Dec. 4, 2008, <https://web.archive.org/web/20081204105303/http://goincase.com/products/detail/power-slider-ec20003/>.
- Azadeh Ensha, “A Case for Filling the iPhone 3G’s Power Vacuum,” Dated Nov. 27, 2008.
- Joseph Flatley, “Incase Power Slider for iPhone 3G Doubles the Juice, Lets You Sync,” dated Nov. 17, 2008.
- Darren Quick, “Mophie Juice Pack for iPhone 3G now shipping,” dated Nov. 10, 2008, <http://www.gizmag.com/mophie-juice-pack-iphone-3g/10342/>.
- Otterbox Catalog, 2006.
- Jeremy Horowitz, “PhoneSuit MiLi Power Pack for iPhone,” Jan. 29, 2009, <http://www.ilounge.com/index.php/reviews/entry/phonesuit-mili-power-pack-for-iphone/>.
- Jeremy Horowitz, “FastMac TruePower iV Universal Battery Charger,” Dec. 11, 2008, <http://www.ilounge.com/index.php/reviews/entry/fastmac-truepower-iv-universal-battery-charger/>.
- Jeremy Horowitz, “Konnet PowerKZ Extended Power for iPhone,” Apr. 2, 2009, <http://www.ilounge.com/index.php/reviews/entry/konnet-powerkz-extended-power-for-iphone/>.
- “Test: Batterie iPhone SKPAD” with Machine English Translation, Feb. 2, 2009, <http://iphonesofa.com/2009/02/02/test-batterie-iphone-skpad>.
- Case-Ari, LLC v. mStation, Inc.*, Case No. 1:2010-CV-01874 in the United States District Court for the Northern District of Georgia, filed Jun. 17, 2010 (Docket).
- Daniel Huang v. GC Technology, LLC*, Case No. CV10-4705 CAS (VBKx) in the United States District Court for the Central District of California, filed Jun. 24, 2010 (Docket).
- Hali-Power, Inc. v. mStation Corp.*, Case No. 1:2010-CV-00773 in the United States District Court for the Northern District of New York, filed Jun. 30, 2010 (Docket).
- Mophie, Inc. v. Loza & Loza, LLP*, Case No. SACV11-00539 DOC (MLGx) in the United States District Court for the Central District of California, filed Apr. 7, 2011 (Docket).
- Mophie’s Complaint, filed Apr. 7, 2011 in *Mophie, Inc. v. Loza & Loza, LLP*, Case No. SACV11-00539 DOC (MLGx) in the United States District Court for the Central District of California.
- Mophie, Inc. v. Foreign Trade Corporation*, Case No. 8:12-CV-00292-JST-RNB in the United States District Court of the Central District of California, filed Feb. 24, 2012 (Docket).
- Mophie, Inc. v. Kdlinks Inc.*, Case No. 2:2012-CV-02639 in the United States District Court for the Central District of California, filed Mar. 27, 2012 (Docket).
- Otter Products, LLC v. Mophie, LLC*, Case No. 1:2012-CV-01969 in the United States District Court for the District of Colorado, filed Jul. 27, 2012 (Docket).
- Mophie’s Answer, filed Oct. 15, 2012 in *Otter Products, LLC v. Mophie, LLC*, Case No. 1:2012-CV-01969 in the United States District Court for the District of Colorado.
- Otter’s Motion for Summary Judgment of Infringement and Declaration in Support Thereof, filed May 13, 2013 in *Otter Products, LLC v. Mophie, LLC*, Case No. 1:2012-CV-01969 in the United States District Court for the District of Colorado.
- Mophie’s Opposition to Motion for Summary Judgment of Infringement, filed Jun. 6, 2013 in *Otter Products, LLC v. Mophie, LLC*, Case No. 1:2012-CV-01969 in the United States District Court for the District of Colorado.
- Mophie’s Claim Construction Brief, filed Jun. 14, 2013 in *Otter Products, LLC v. Mophie, LLC*, Case No. 1:2012-CV-01969 in the United States District Court for the District of Colorado.
- Otter’s Claim Construction Brief, filed Jun. 14, 2013 in *Otter Products, LLC v. Mophie, LLC*, Case No. 1:2012-CV-01969 in the United States District Court for the District of Colorado.
- Mophie’s Brief in Response to Otter’s Claim Construction Brief, filed Jun. 24, 2013 in *Otter Products, LLC v. Mophie, LLC*, Case No. 1:2012-CV-01969 in the United States District Court for the District of Colorado.
- Otter’s Rebuttal Brief For Construction of Claim Terms and Declaration, filed Jun. 24, 2013 in *Otter Products, LLC v. Mophie, LLC*, Case No. 1:2012-CV-01969 in the United States District Court for the District of Colorado.
- Otter’s Reply in Support of Motion for Summary Judgment of Infringement, filed Jun. 24, 2013 in *Otter Products, LLC v. Mophie, LLC*, Case No. 1:2012-CV-01969 in the United States District Court for the District of Colorado.
- Joint Claim Construction Statement, filed Jun. 26, 2013 in *Otter Products, LLC v. Mophie, LLC*, Case No. 1:2012-CV-01969 in the United States District Court for the District of Colorado.
- Incase Designs, Inc. v. Mophie, Inc.*, Case No. 3:2013-CV-00602 in the United States District Court for the Northern District of California, filed Feb. 12, 2013 (Docket).

Mophie's Amended Answer and Counterclaims, filed May 8, 2013 in *Incase Designs, Inc. v. Mophie, Inc.*, Case No. 3:2013-CV-00602 in the United States District Court for the Northern District of California.

Mophie's Opposition to Motion to Strike Amended Affirmative Defenses, Filed Jun. 12, 2013 in *Incase Designs, Inc. v. Mophie, Inc.*, Case No. 3:2013-CV-00602 in the United States District Court for the Northern District of California.

Mophie's Reply in Support of Motion to Stay and Supporting Declaration, filed Sep. 3, 2103 in *Incase Designs, Inc. v. Mophie, Inc.*, Case No. 3:2013-CV-00602 in the United States District Court for the Northern District of California.

*Incase Designs, Inc. v. Mophie, Inc.*, Case No. 3:2013-CV-03356 in the United States District Court for the Northern District of California, filed Jul. 18, 2013 (Docket).

*Incase Designs, Corp. v. Mophie, Inc.*, Case No. 3:2013-CV-04314 in the United States District Court for the Northern District of California, filed Sep. 18, 2013 (Docket).

Mophie Motion 1—To Be Accorded Benefit, filed Nov. 20, 2013 in Patent Interference No. 105,946(RES).

Declaration of John Feland, Ph.D, in Support of Mophie Motion 1 To Be Accorded Benefit, dated Nov. 20, 2013, in Patent Interference No. 105,946(RES).

Mophie Motion 2—for Judgment that Incase's Involved Claims Are Unpatentable, filed Nov. 20, 2013 in Patent Interference No. 105,946(RES).

Declaration of John Feland, Ph.D, in Support of Mophie Motion 2 for Judgement That Incase's Involved Claims Are Unpatentable, dated Nov. 20, 2013, in Patent Interference No. 105,946(RES).

Incuse Motion 1—Motion for Benefit, filed Nov. 20, 2013 in Patent Interference No. 105,946(RES).

Incuse Motion 2—Motion To Undesignate Claims, filed Nov. 20, 2013 in Patent Interference No. 105,946(RES).

Incuse Motion 3—Motion for Judgment Based on Lack of Written Description, filed Nov. 20, 2013 in Patent Interference No. 105,946(Res).

Incuse Motion 4—Motion for Unpatentability of Mophie Claims, filed Nov. 20, 2013 in Patent Interference No. 105,946(RES).

Declaration of Andrew Wolfe, filed Nov. 20, 2013 in Patent Interference No. 105,946(RES).

Declaration of Thomas Overthun, filed Nov. 20, 2013 in Patent Interference No. 105,946(RES).

Declaration of Gabriel Dan, filed Nov. 20, 2013 in Patent Interference No. 105,946(RES).

Mophie's Third Amended Complaint, filed Jun. 27, 2014, in *Mophie, Inc. v. Source Vista*, Case No. 8:13-CV-01321 in the United States District Court for the Central District of California.

Mophie's First Amended Complaint, filed Jun. 25, 2014, in *Mophie, Inc. v. UNU Electronics Inc.*, Case No. 8:13-CV-01705 in the United States District Court for the Central District of California.

UNU's Answer and Counterclaims, filed Jul. 10, 2014, in *Mophie, Inc. v. UNU Electronics Inc.*, Case No. 8:13-CV-01705 in the United States District Court for the Central District of California.

\* cited by examiner

*Primary Examiner* — Deanna L Pratt

*Assistant Examiner* — Lilyana Bekic

(74) *Attorney, Agent, or Firm* — Knobbe, Martens, Olson & Bear, LLP

## (57) CLAIM

The ornamental design for a curved battery case for a mobile device, as shown and described.

## DESCRIPTION

FIG. 1 is a front perspective view of a curved battery case for a mobile device containing a mobile device with the top portion connected;

FIG. 2 is a rear perspective view of a curved battery case for a mobile device containing a mobile device with the top portion connected;

FIG. 3 is a front view of a curved battery case for a mobile device containing a mobile device with the top portion connected;

FIG. 4 is a rear view of a curved battery case for a mobile device containing a mobile device with the top portion connected;

FIG. 5 is a left-side view of a curved battery case for a mobile device containing a mobile device with the top portion connected;

FIG. 6 is a right-side view of a curved battery case for a mobile device containing a mobile device with the top portion connected;

FIG. 7 is a front perspective view of a curved battery case for a mobile device containing a mobile device with the top portion disconnected;

FIG. 8 is a rear perspective view of a curved battery case for a mobile device containing a mobile device with the top portion disconnected;

FIG. 9 is a front view of a curved battery case for a mobile device containing a mobile device with the top portion disconnected;

FIG. 10 is a rear view of a curved battery case for a mobile device containing a mobile device with the top portion disconnected;

FIG. 11 is a left-side view of a curved battery case for a mobile device containing a mobile device with the top portion disconnected;

FIG. 12 is a right-side view of a curved battery case for a mobile device containing a mobile device with the top portion disconnected;

FIG. 13 is a front perspective view of a curved battery case for a mobile device with the top portion connected;

FIG. 14 is a front perspective view from a second angle of a curved battery case for a mobile device with the top portion connected;

FIG. 15 is a rear perspective view of a curved battery case for a mobile device with the top portion connected;

FIG. 16 is a front perspective view from a low angle of a curved battery case for a mobile device with the top portion connected;

FIG. 17 is a rear perspective view from a low angle of a curved battery case for a mobile device with the top portion connected;

FIG. 18 is a front view of a curved battery case for a mobile device with the top portion connected;

FIG. 19 is a rear view of a curved battery case for a mobile device with the top portion connected;

FIG. 20 is a left-side view of a curved battery case for a mobile device with the top portion connected;

FIG. 21 is a right-side view of a curved battery case for a mobile device with the top portion connected;

FIG. 22 is a top view of a curved battery case for a mobile device with the top portion connected;

FIG. 23 is a bottom view of a curved battery case for a mobile device with the top portion connected;

FIG. 24 is a front perspective view of a curved battery case for a mobile device with the top portion disconnected;

FIG. 25 is a front perspective view from a second angle of a curved battery case for a mobile device with the top portion disconnected;

FIG. 26 is a rear perspective view of a curved battery case for a mobile device with the top portion disconnected;

FIG. **27** is a front perspective view from a low angle of a curved battery case for a mobile device with the top portion disconnected;

FIG. **28** is a rear perspective view from a low angle of a curved battery case for a mobile device with the top portion disconnected;

FIG. **29** is a front view of a curved battery case for a mobile device with the top portion disconnected;

FIG. **30** is a rear view of a curved battery case for a mobile device with the top portion disconnected;

FIG. **31** is a left-side view of a curved battery case for a mobile device with the top portion disconnected; and,

FIG. **32** is a right-side view of a curved battery case for a mobile device with the top portion disconnected.

The broken lines showing the mobile device illustrates the environment of the claimed design and forms no part thereof.

**1 Claim, 32 Drawing Sheets**

Figure 1

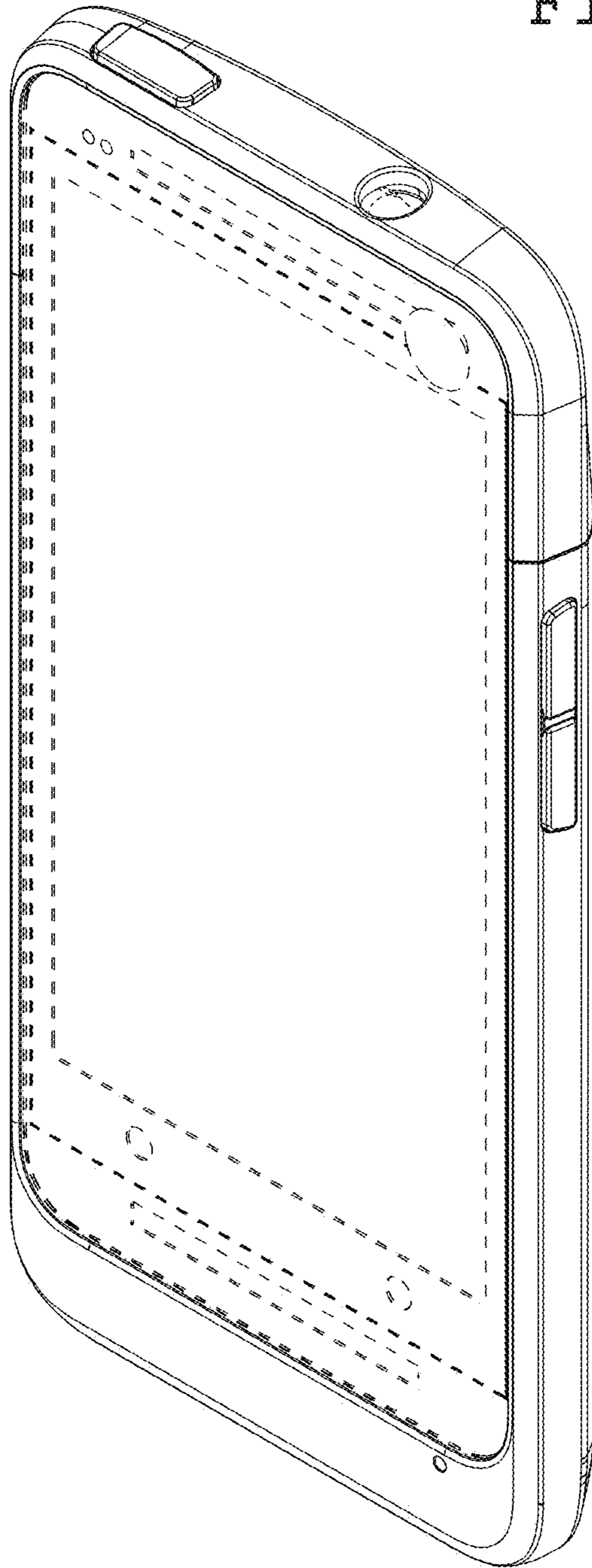




Figure 2

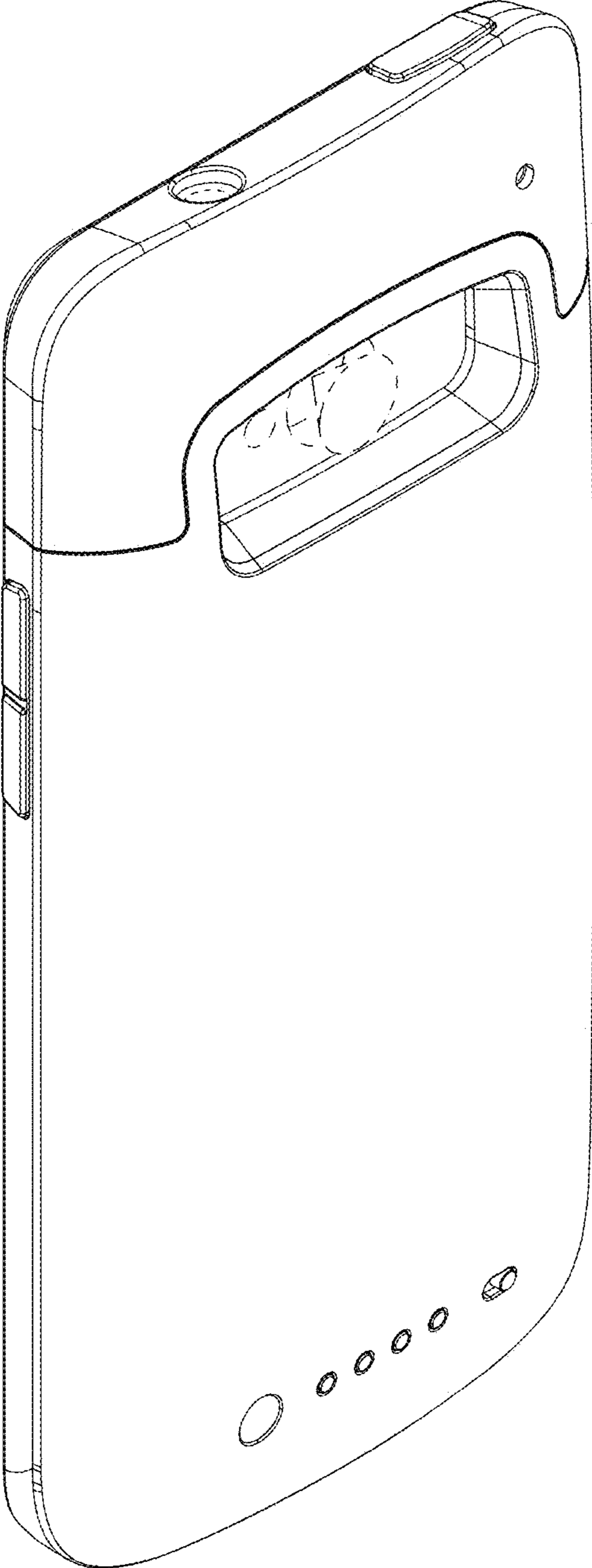


Figure 3

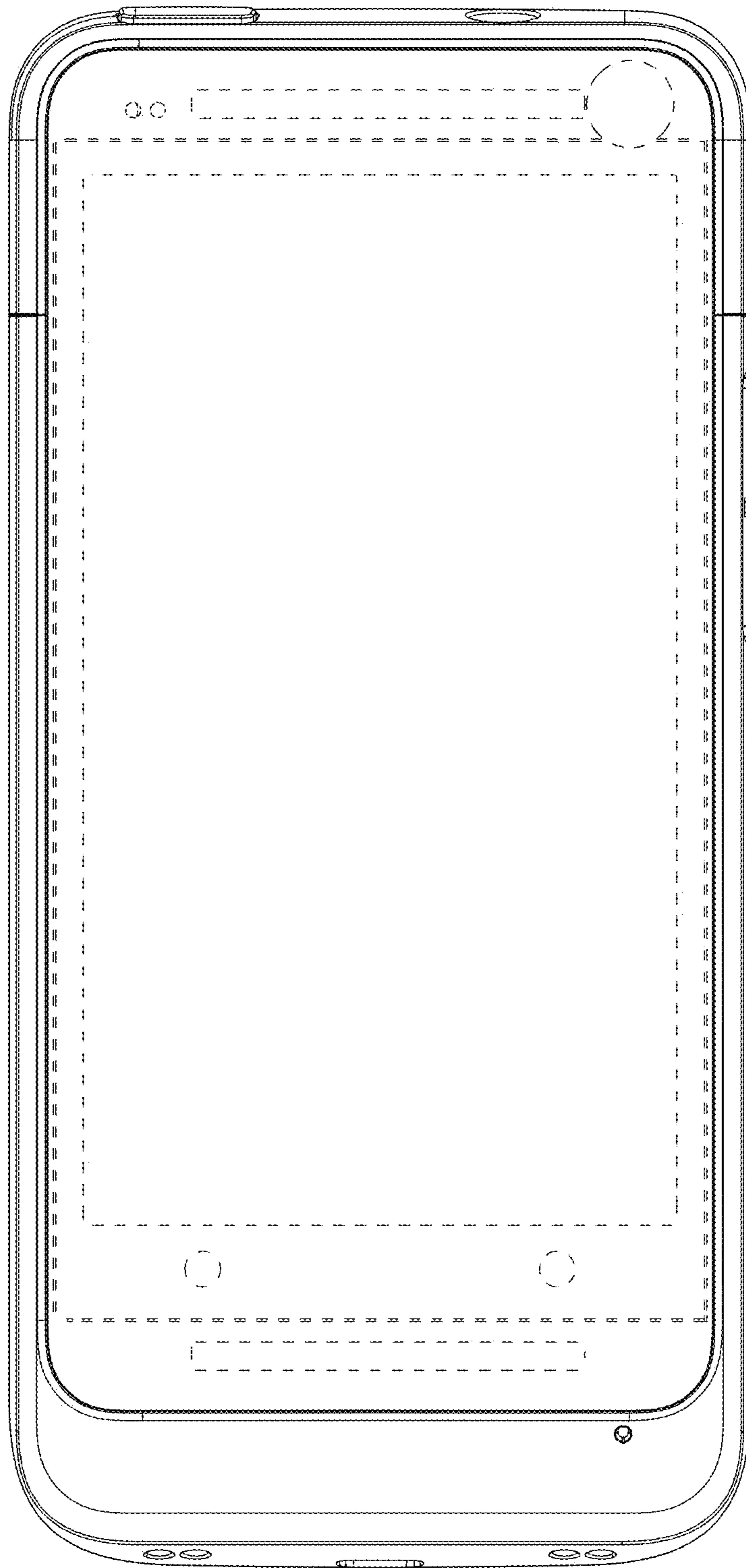


Figure 4



Figure 5

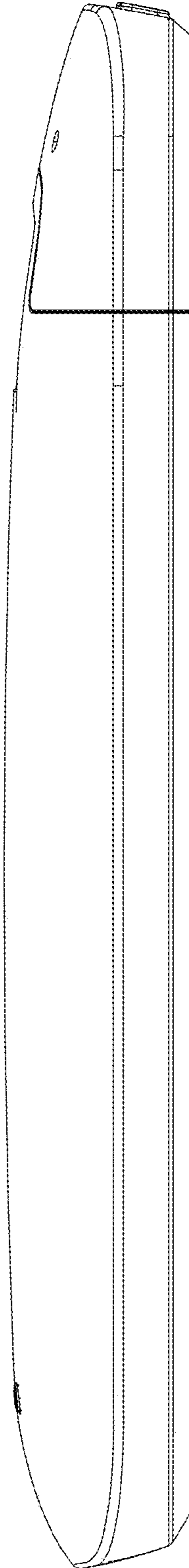


Figure 6

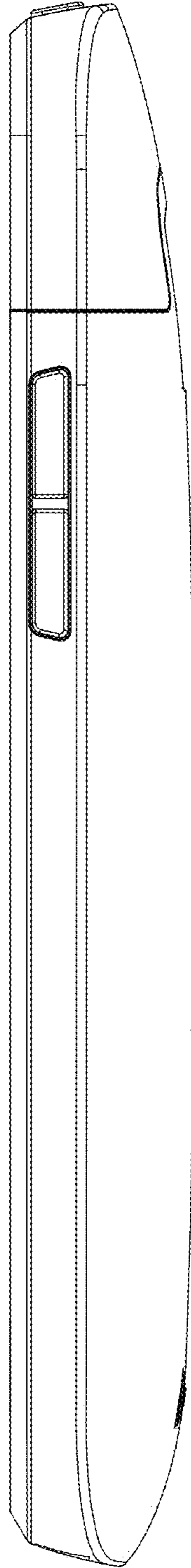


Figure 7

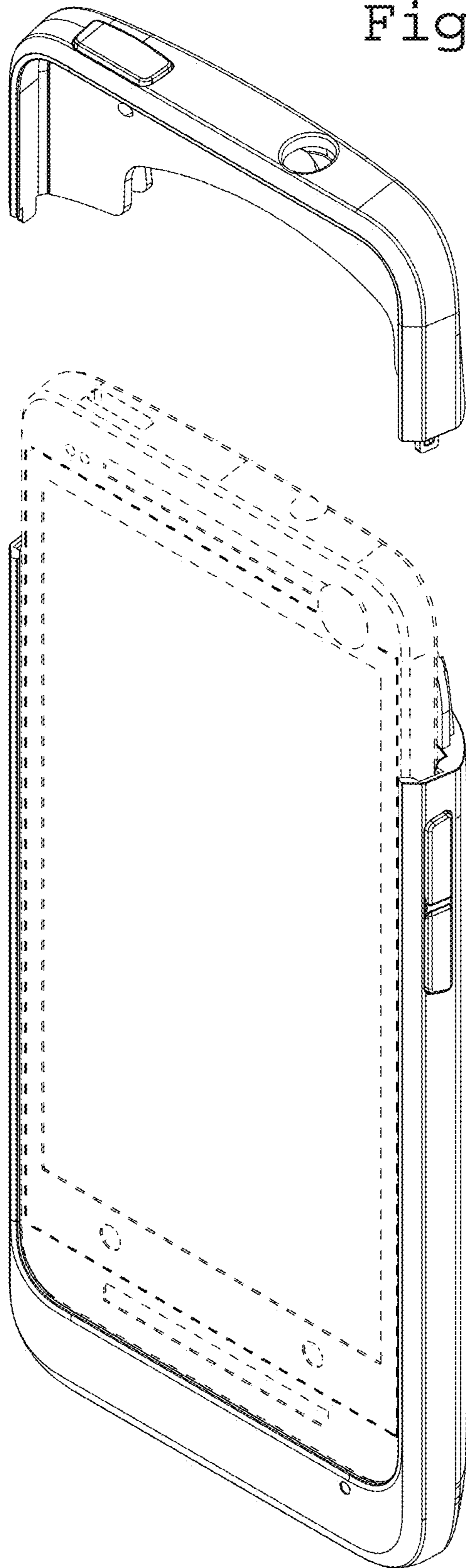
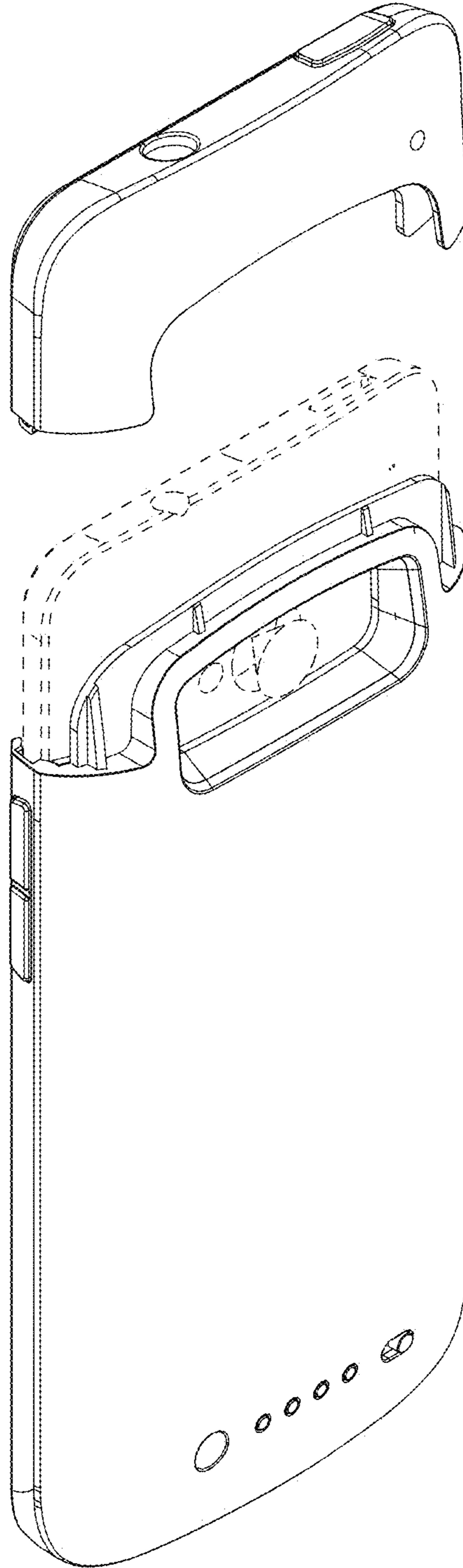


Figure 8



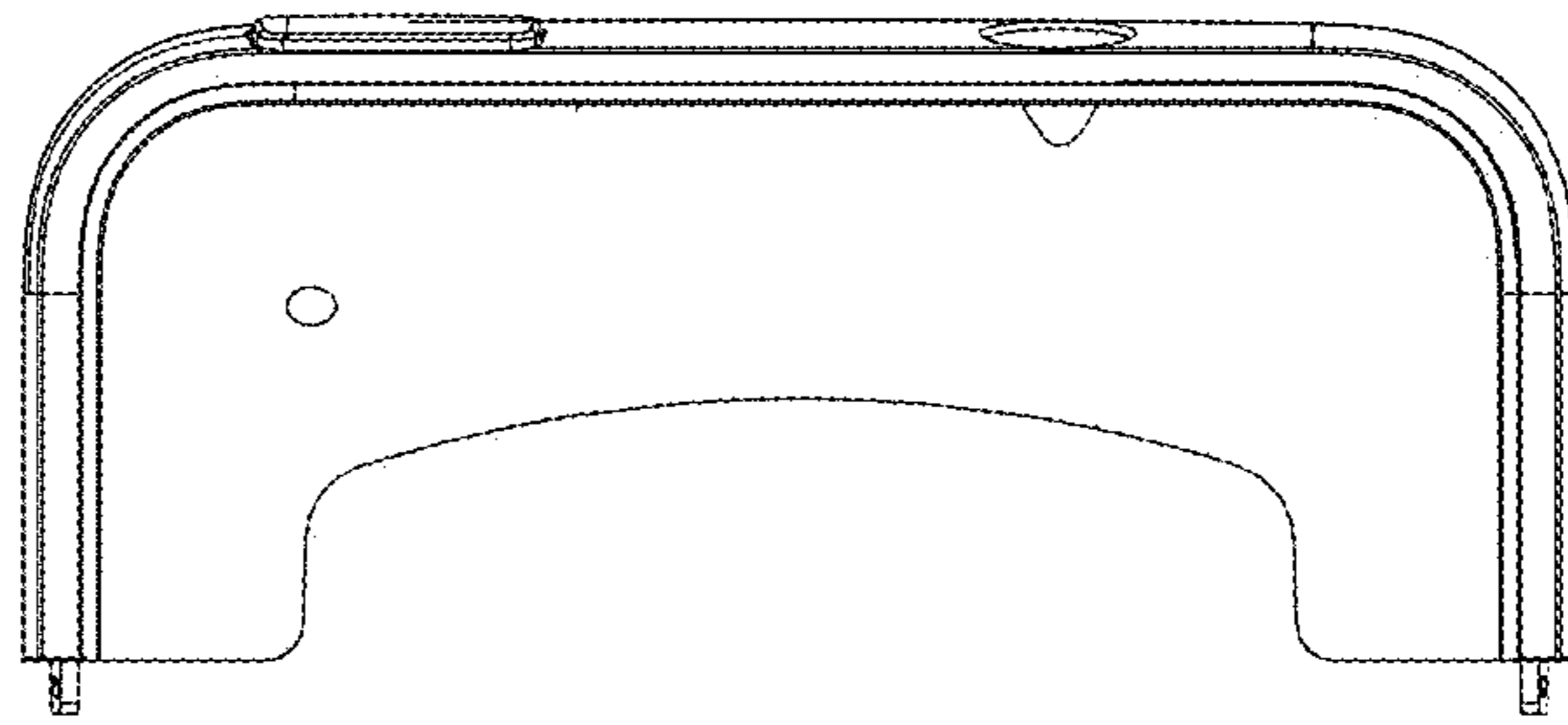
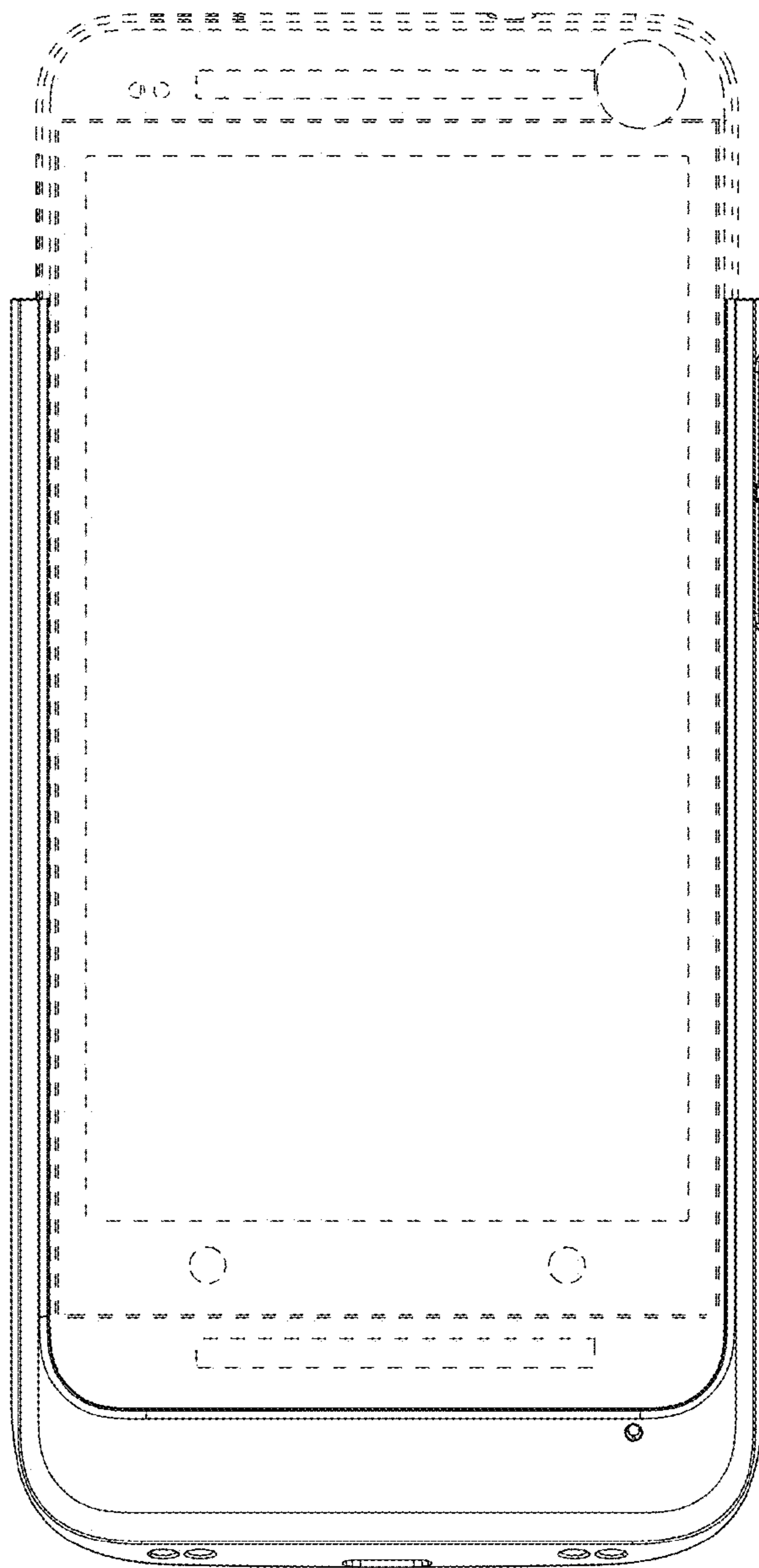


Figure 9





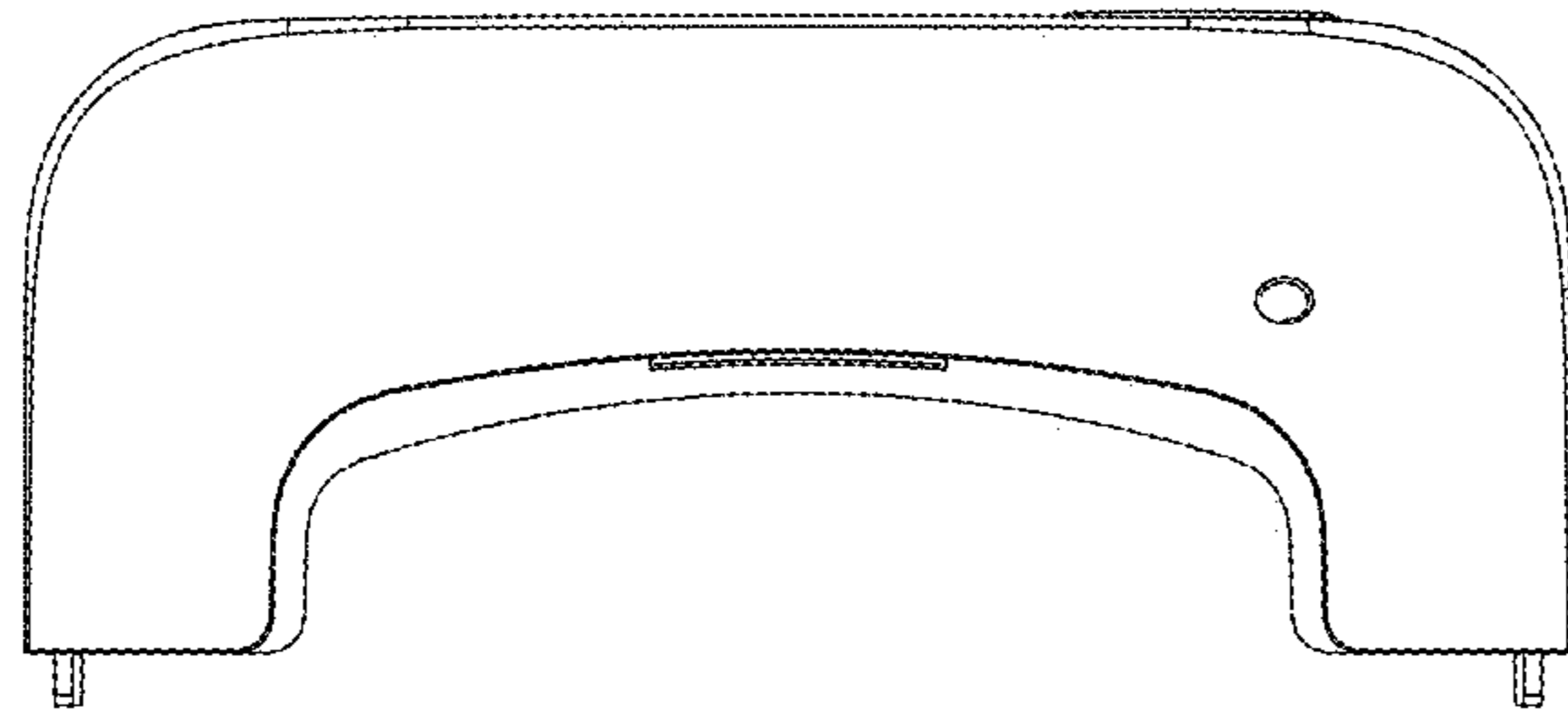


Figure 10



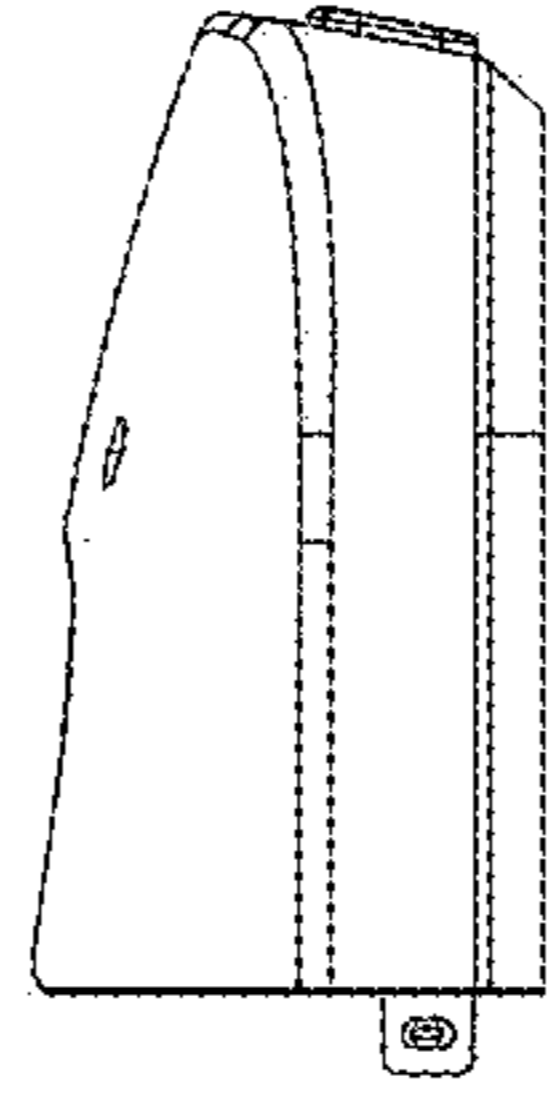
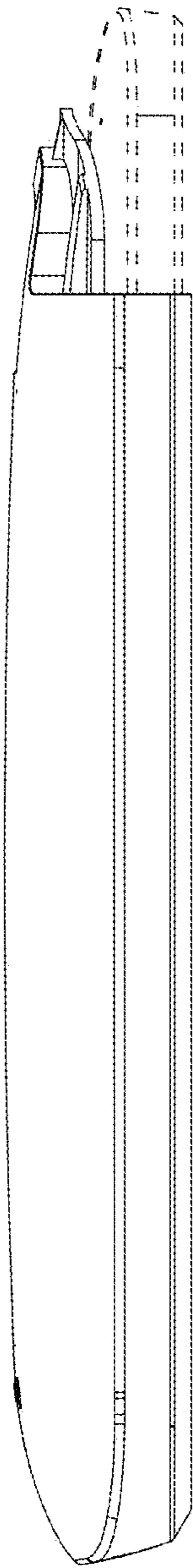


Figure 11



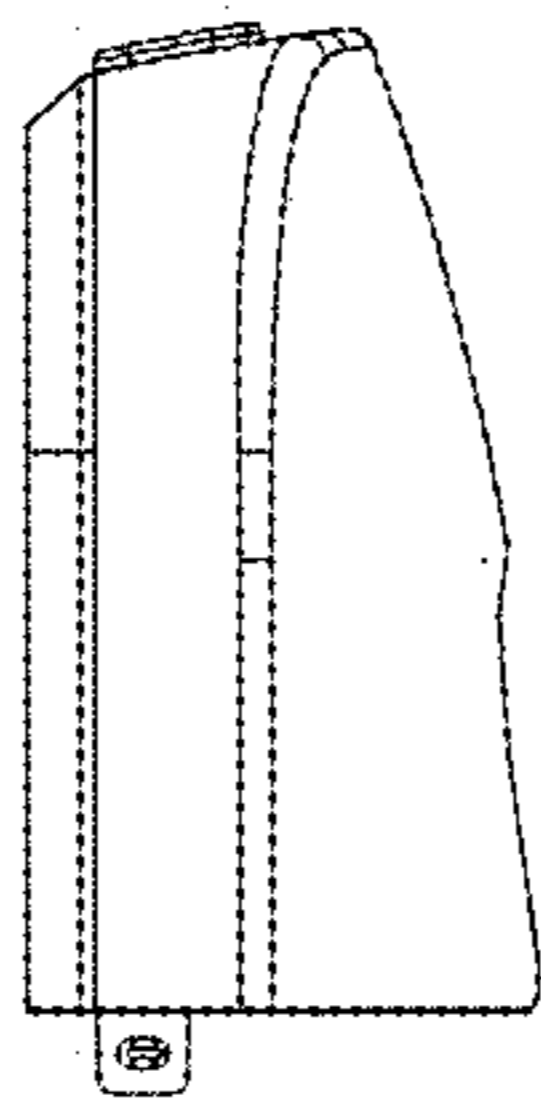


Figure 12

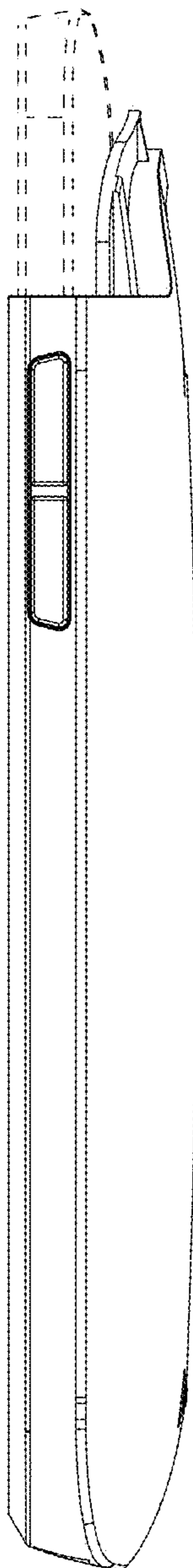


Figure 13

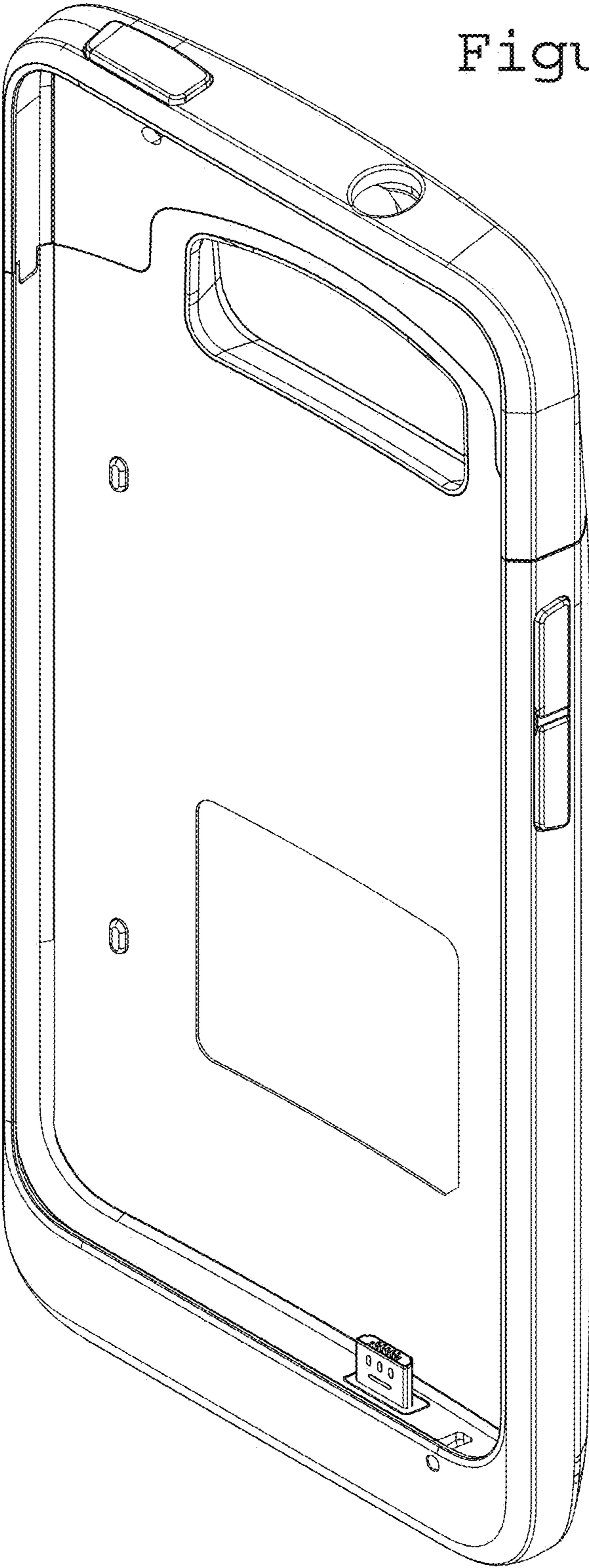


Figure 14

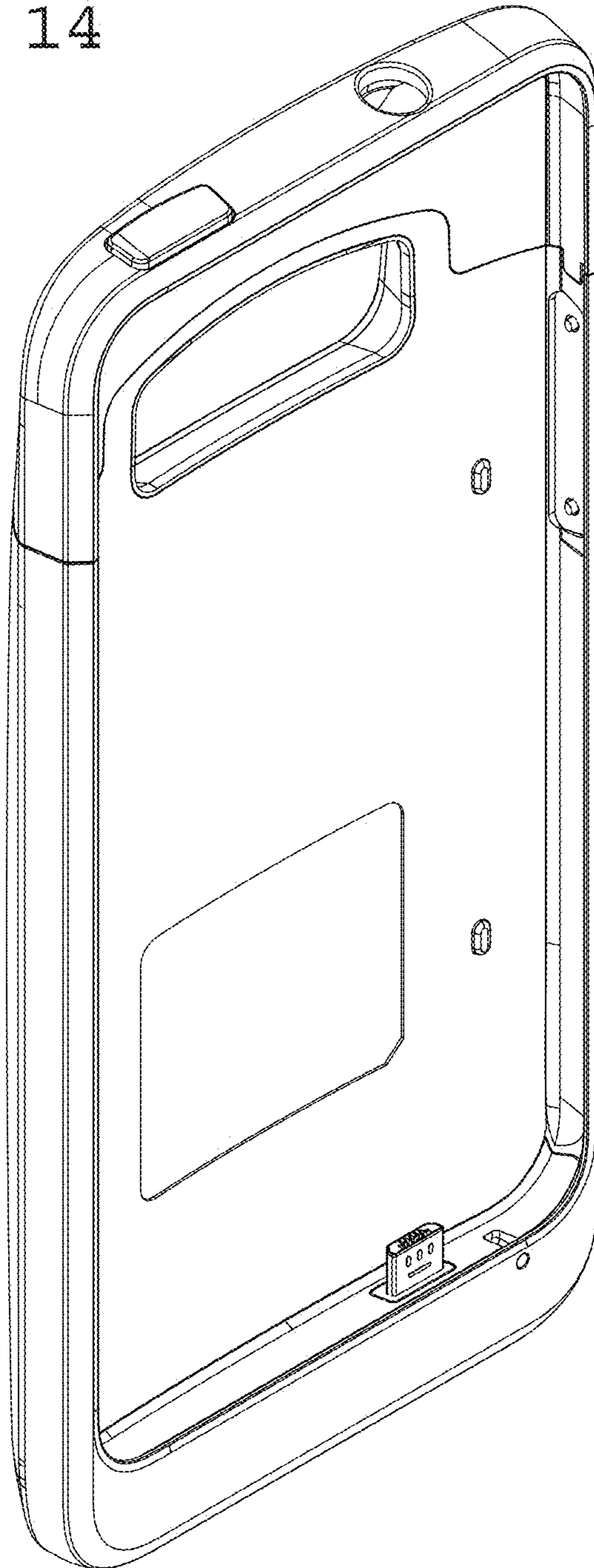


Figure 15

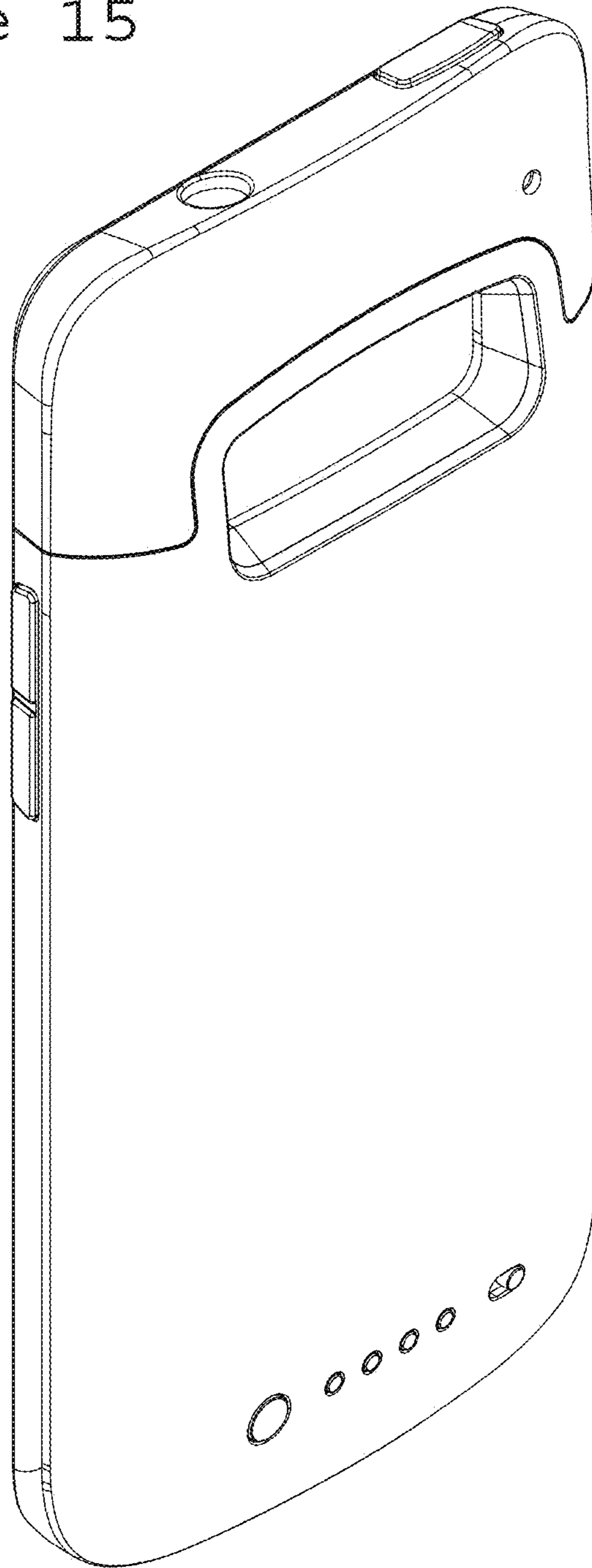


Figure 16

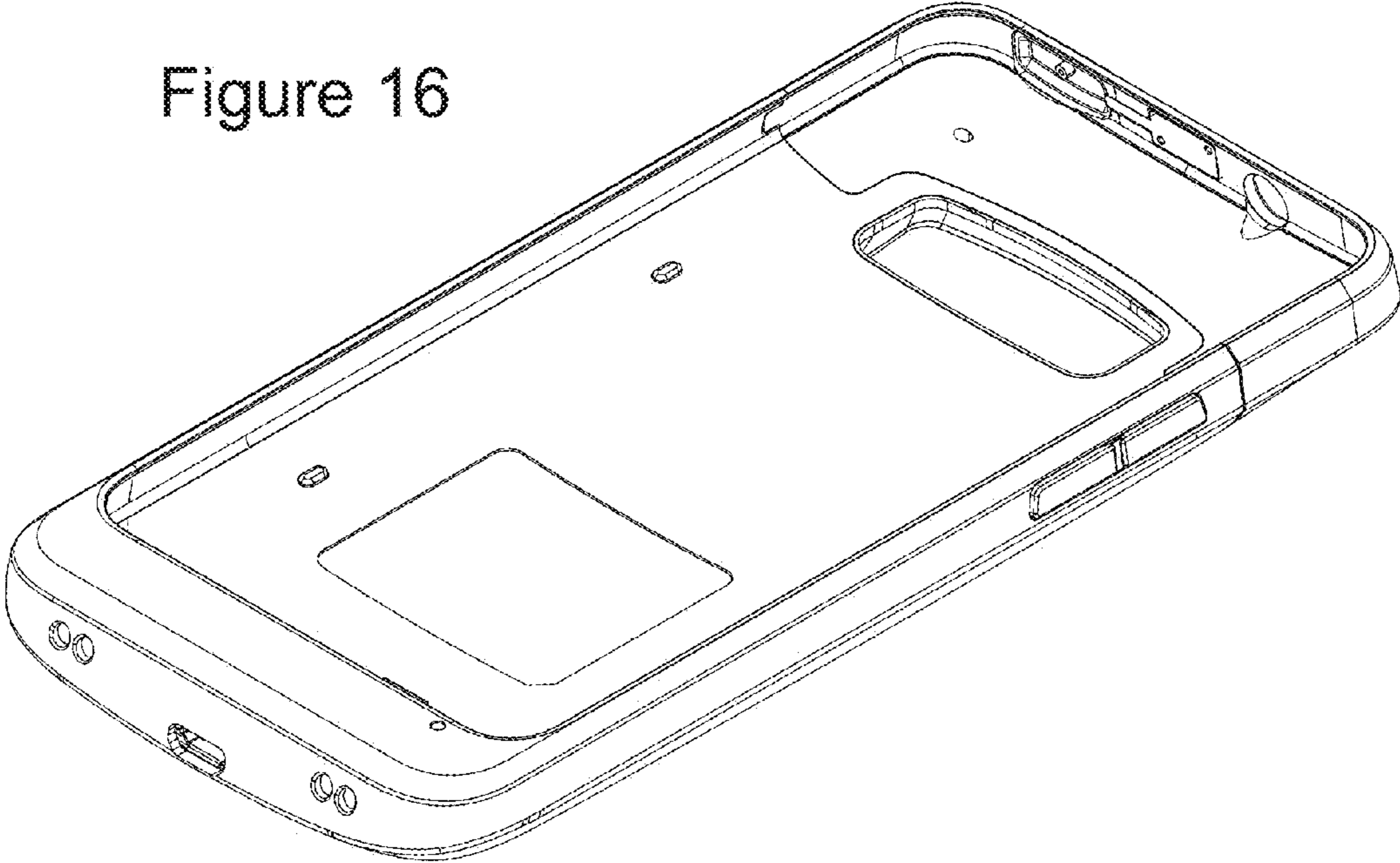


Figure 17

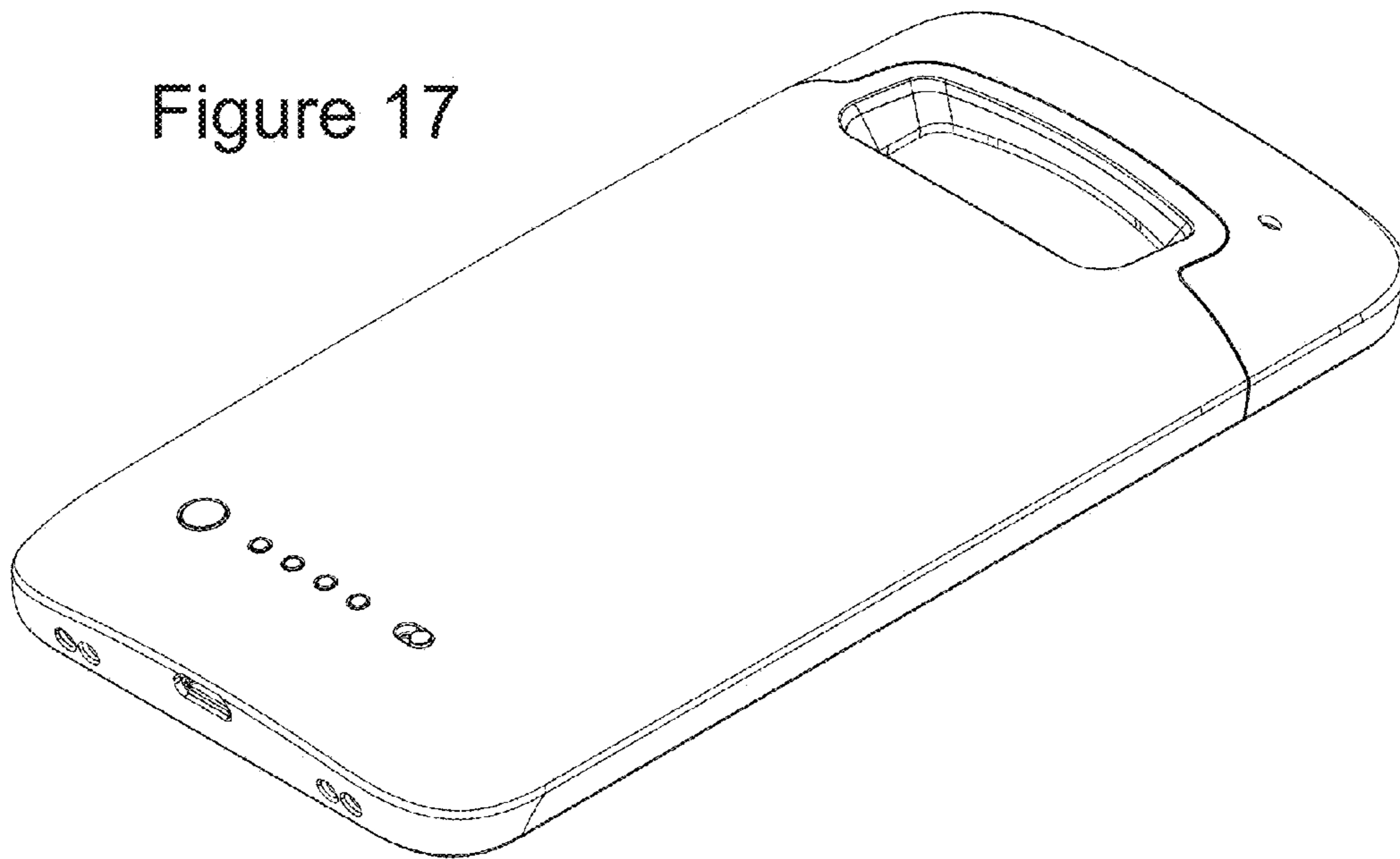




Figure 18

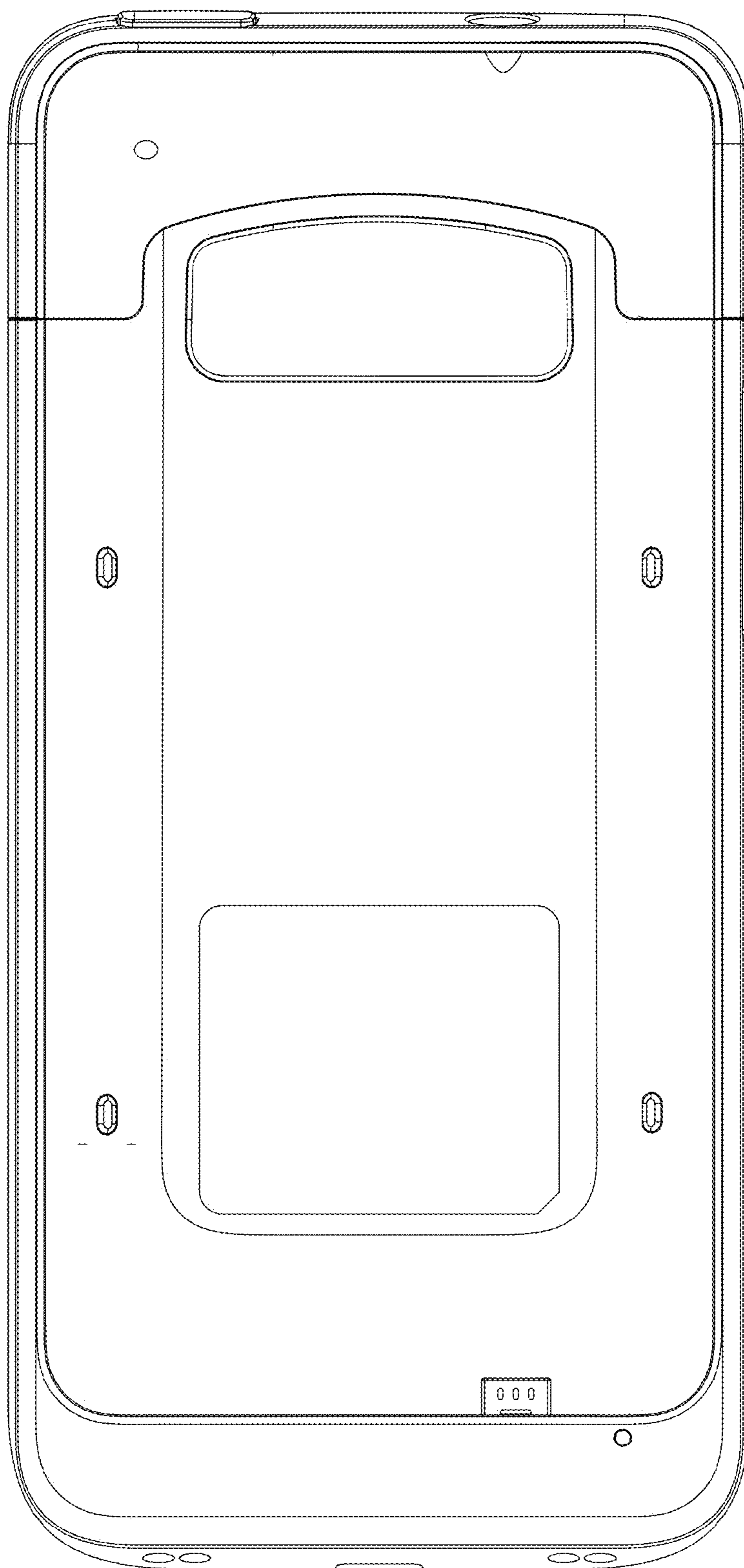


Figure 19

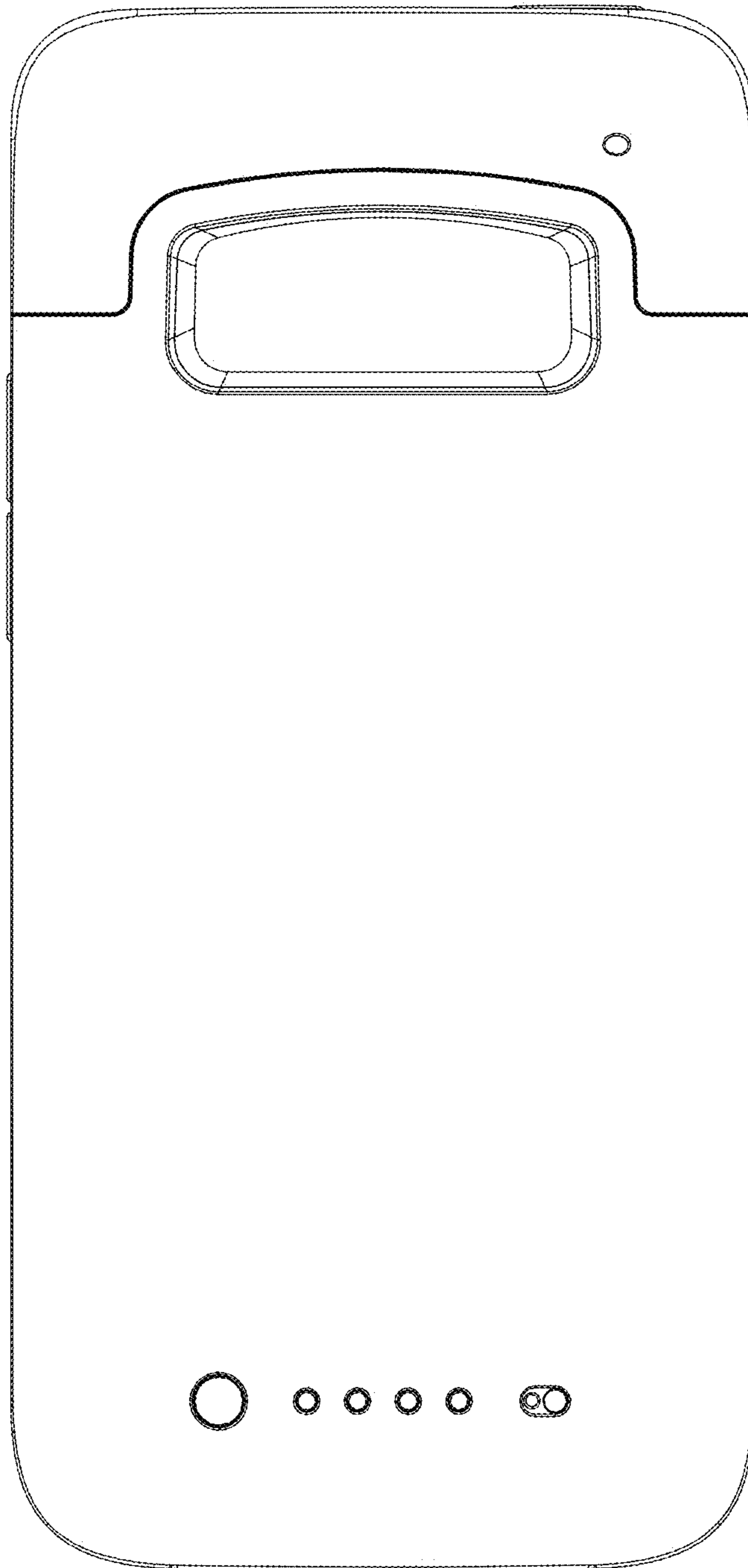
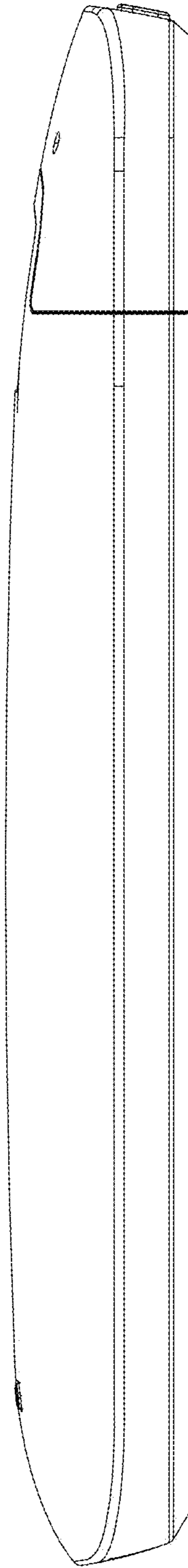


Figure 20



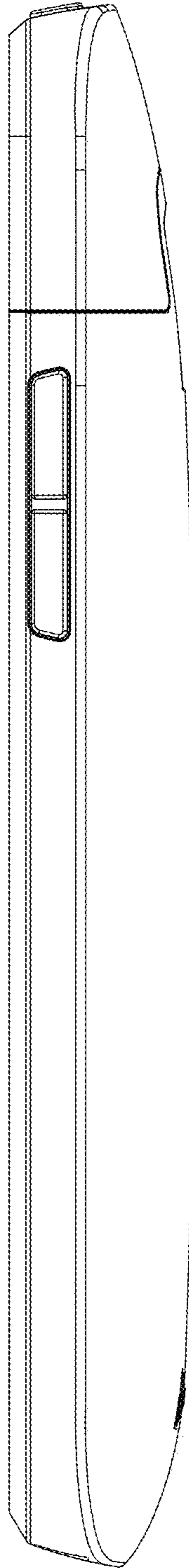


Figure 21

Figure 22

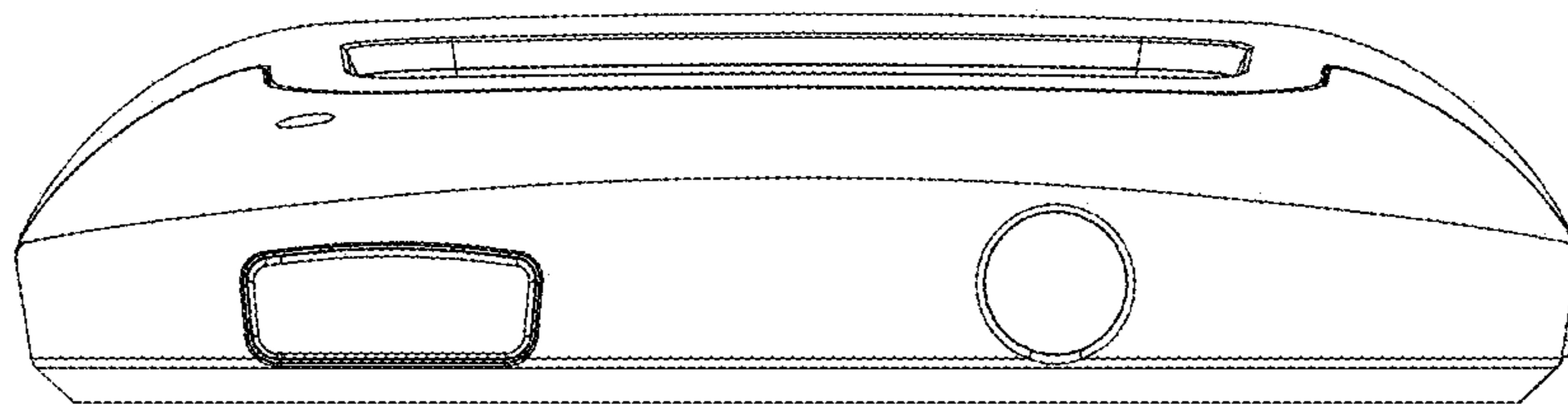


Figure 23

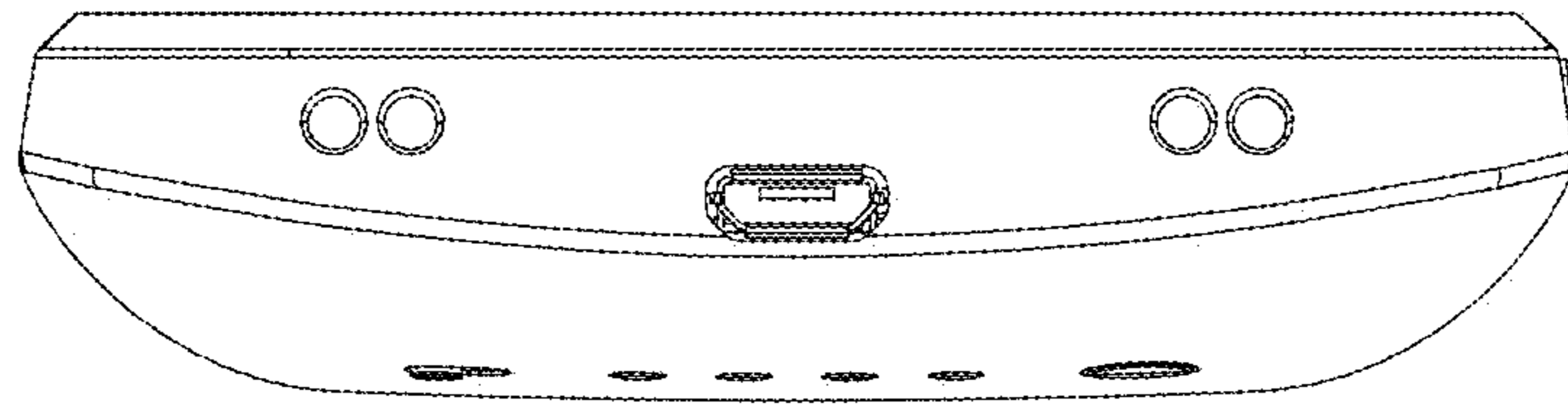


Figure 24

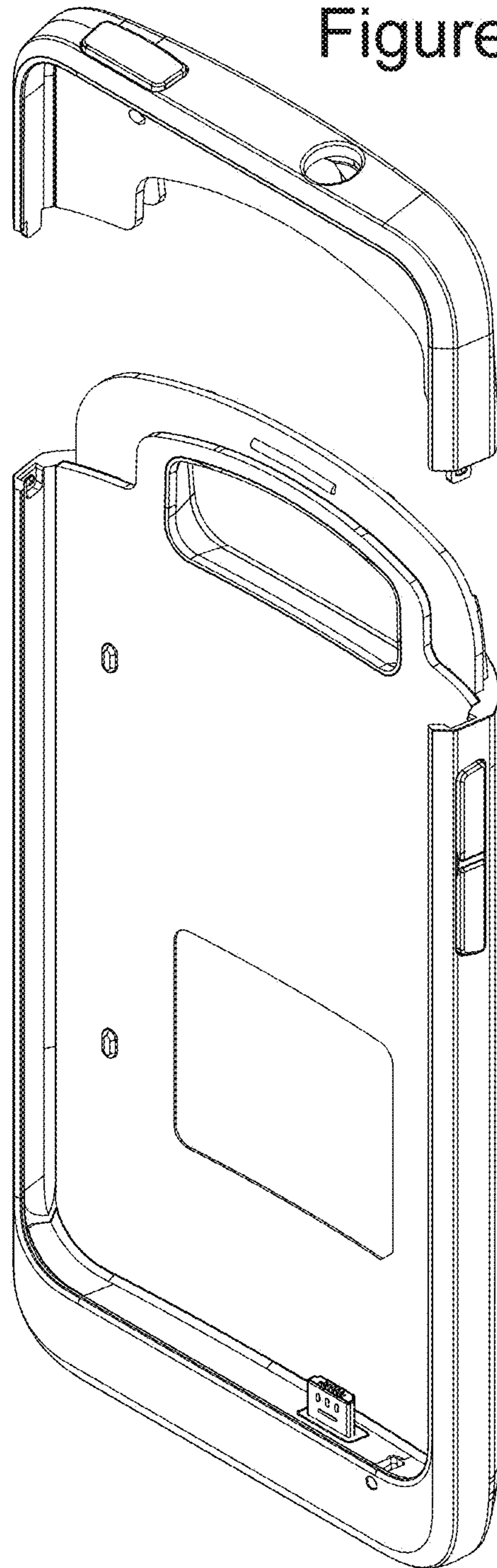


Figure 25

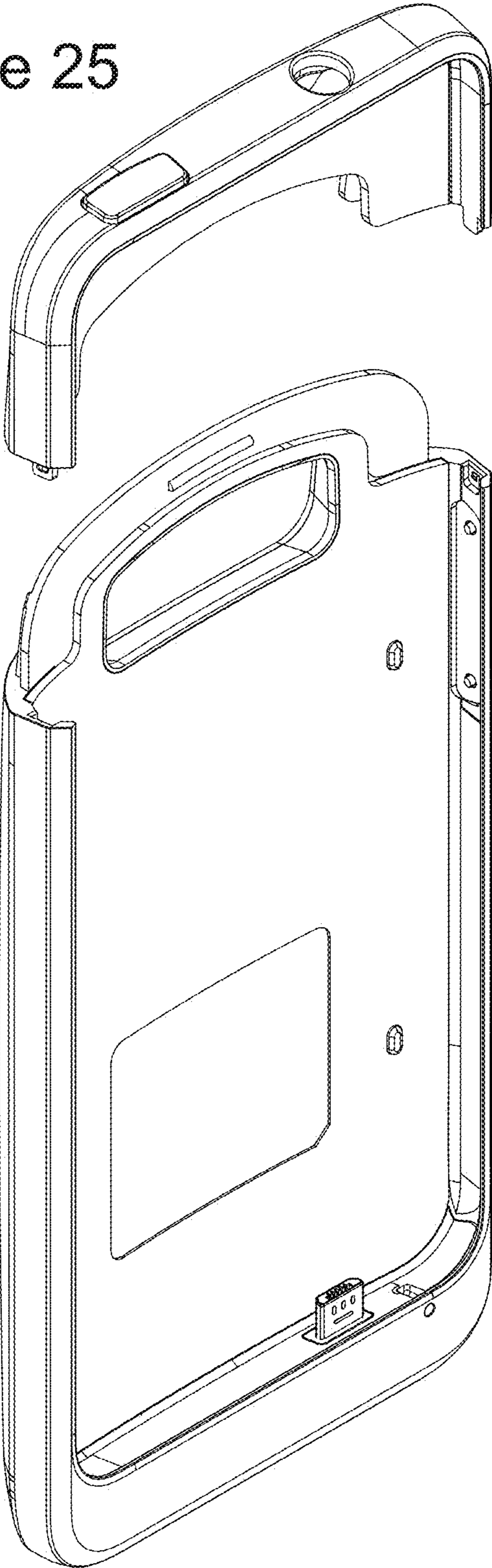




Figure 26

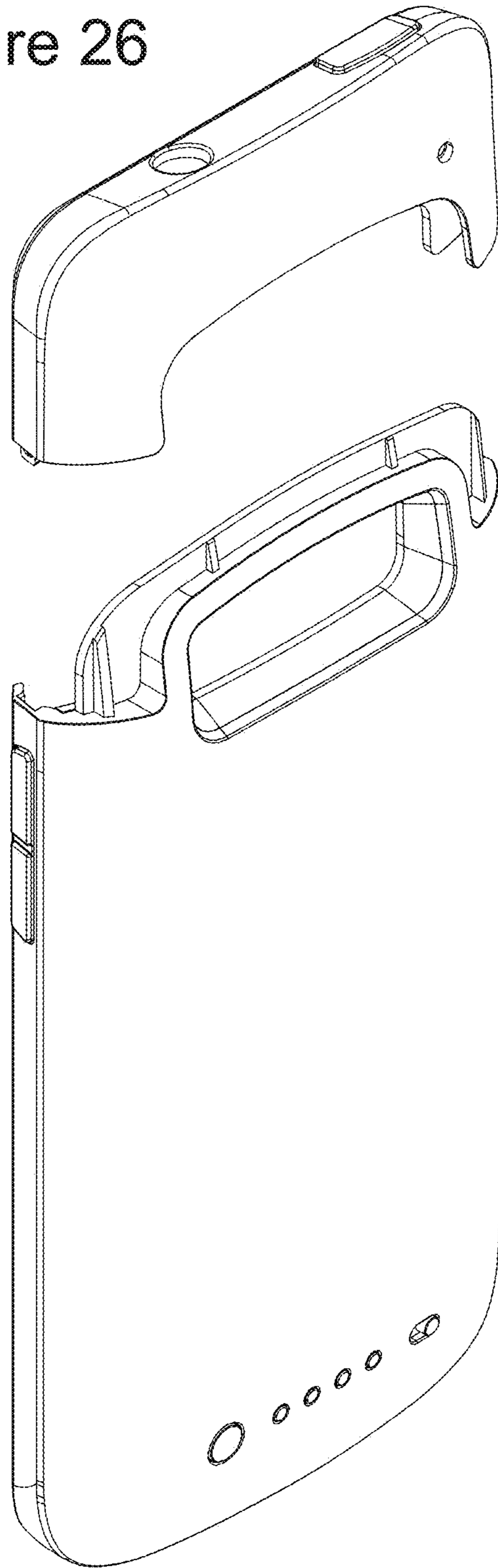


Figure 27

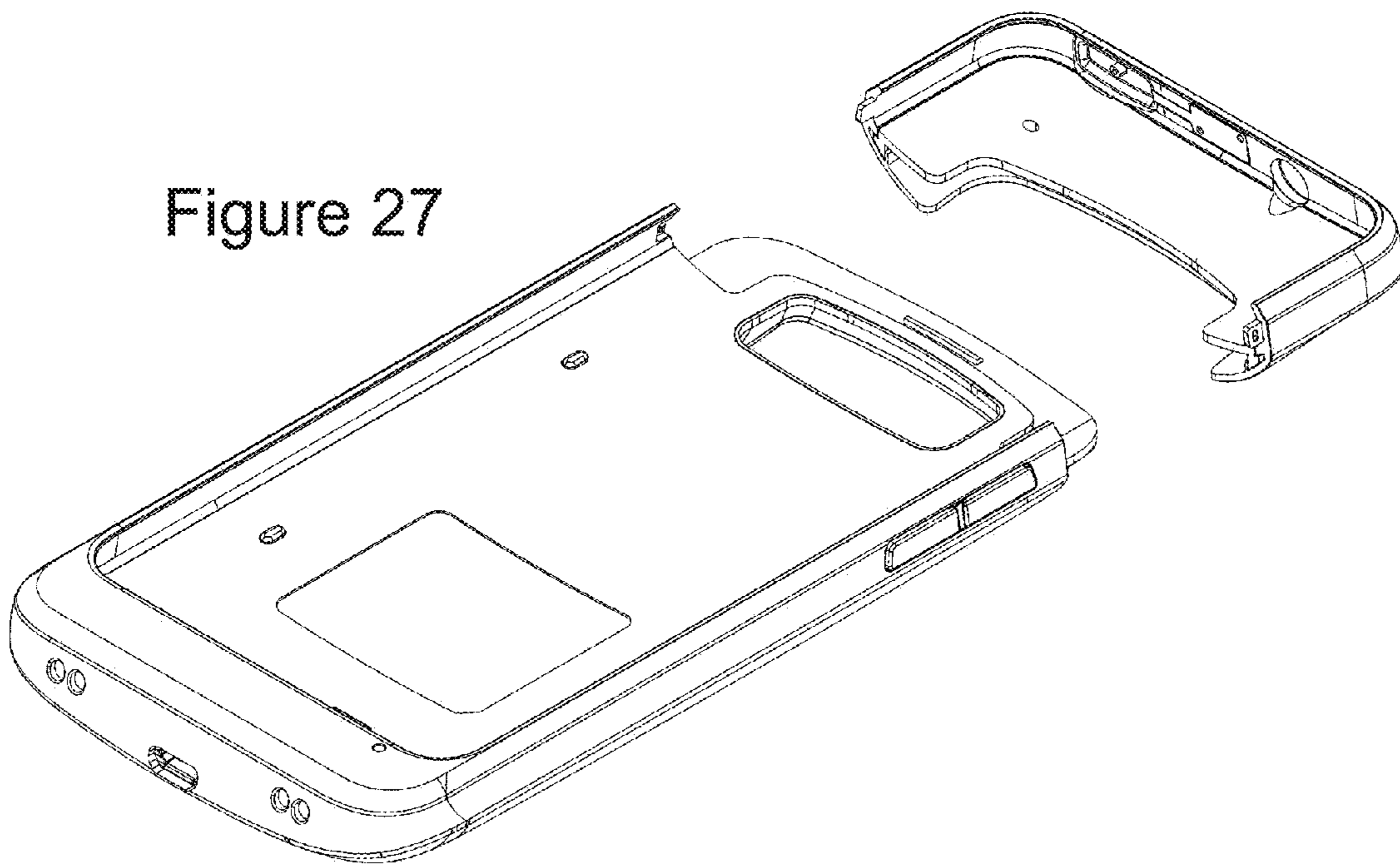
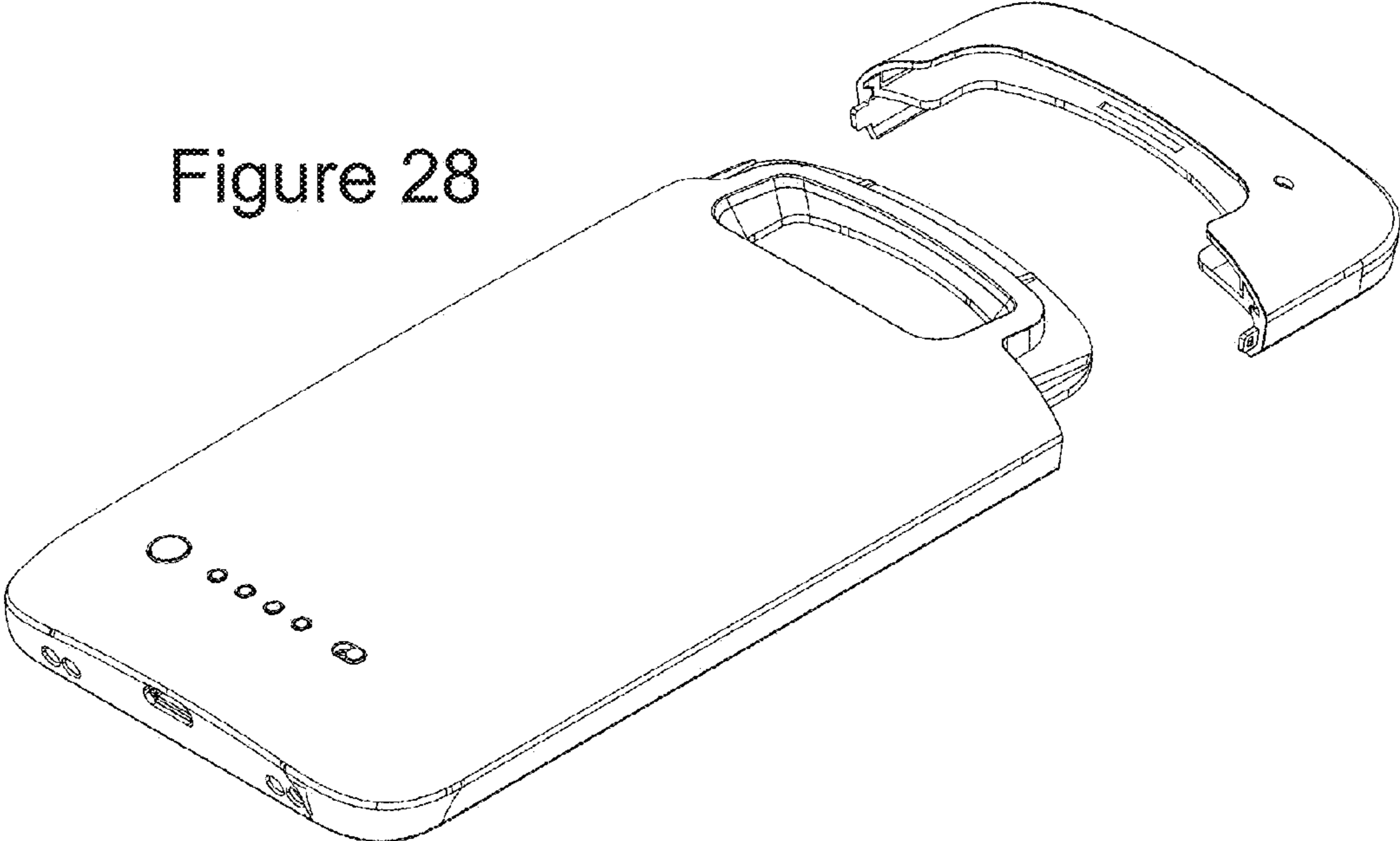


Figure 28



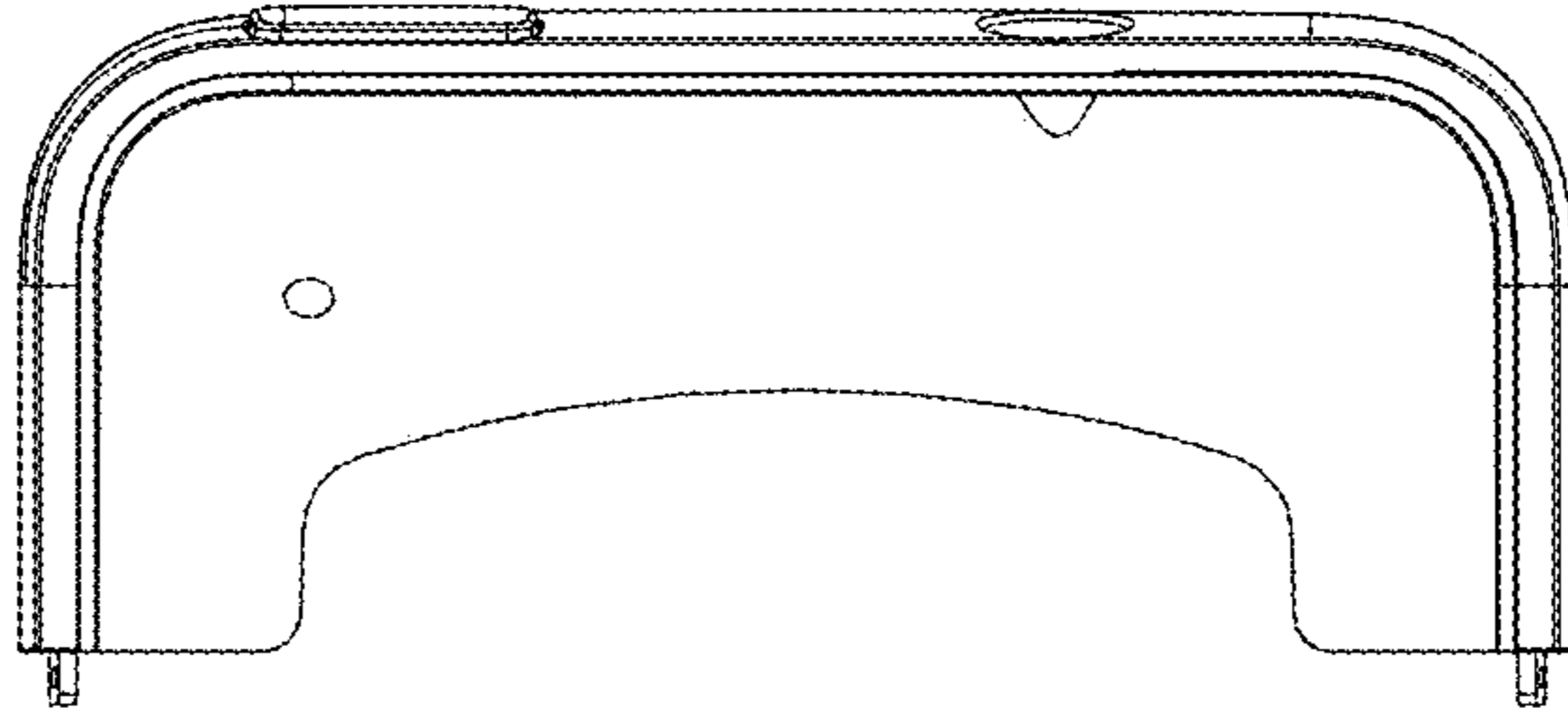
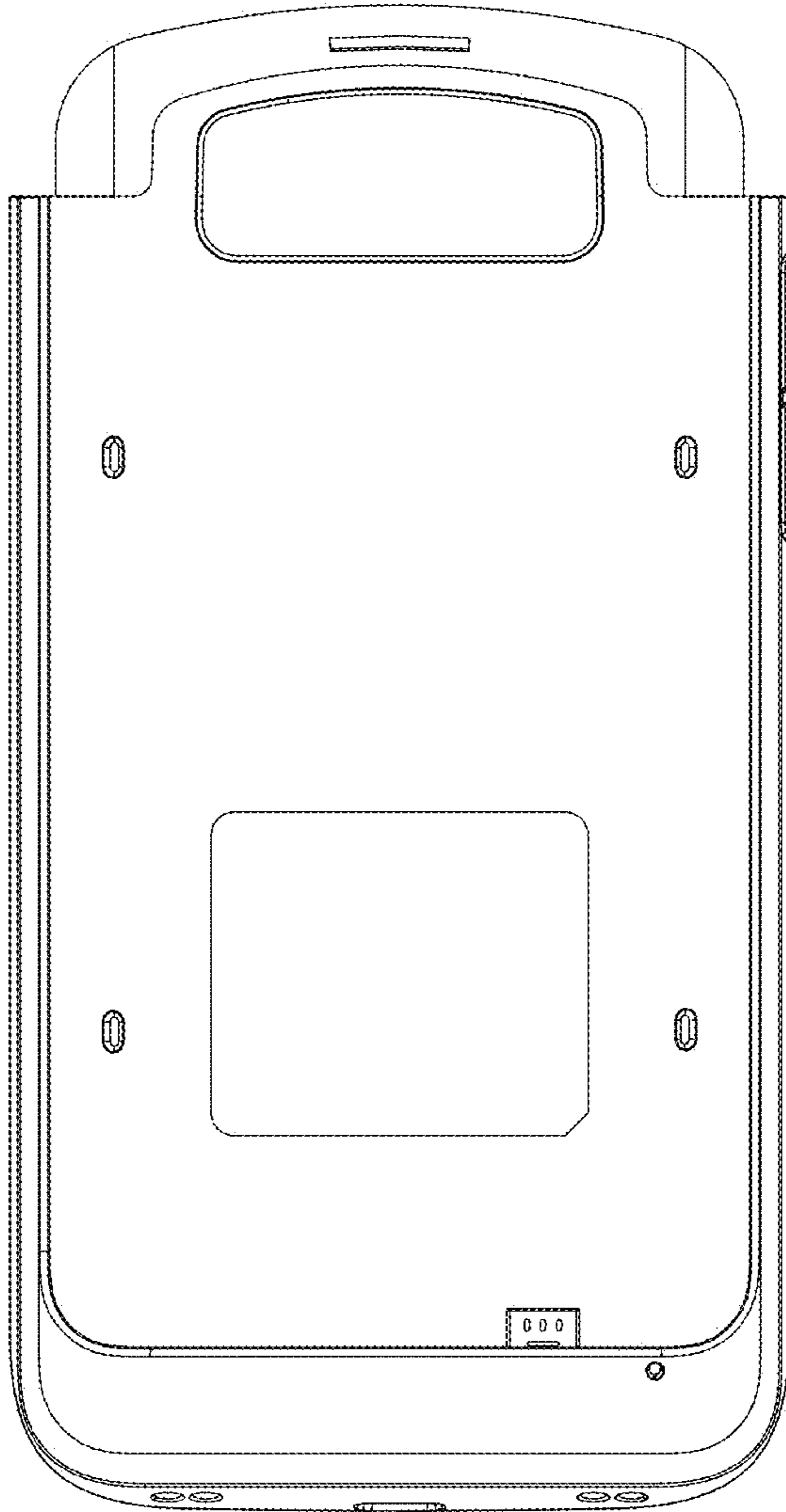


Figure 29



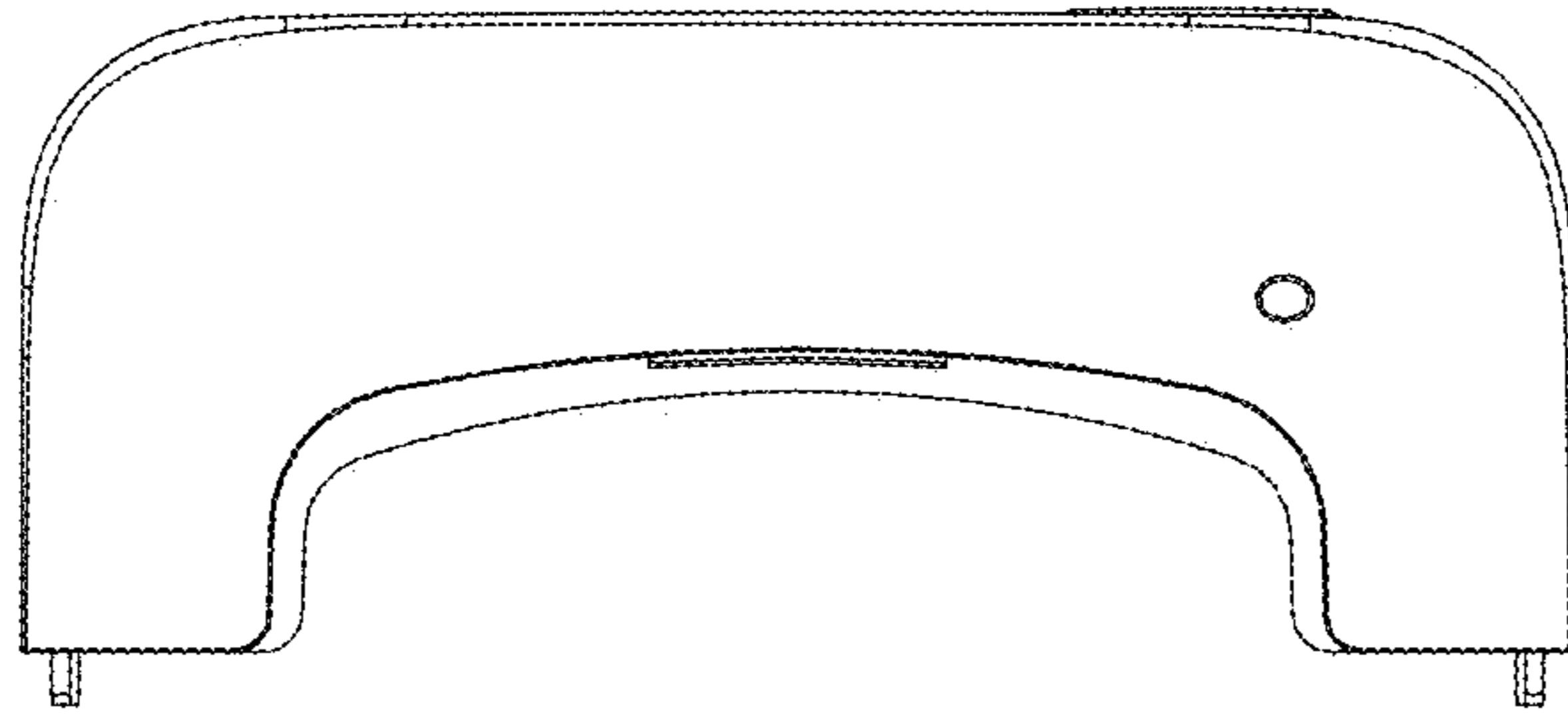
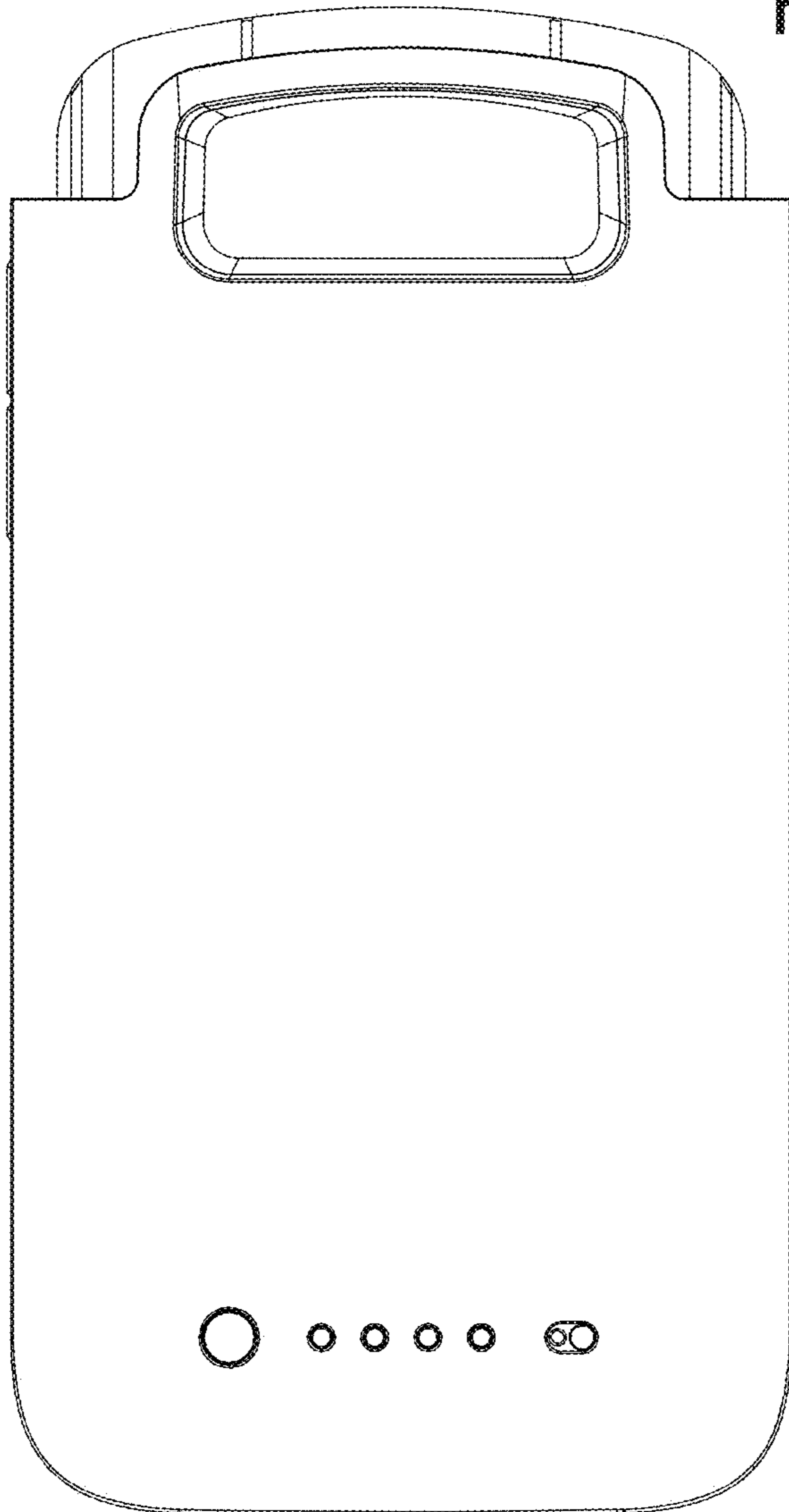


Figure 30



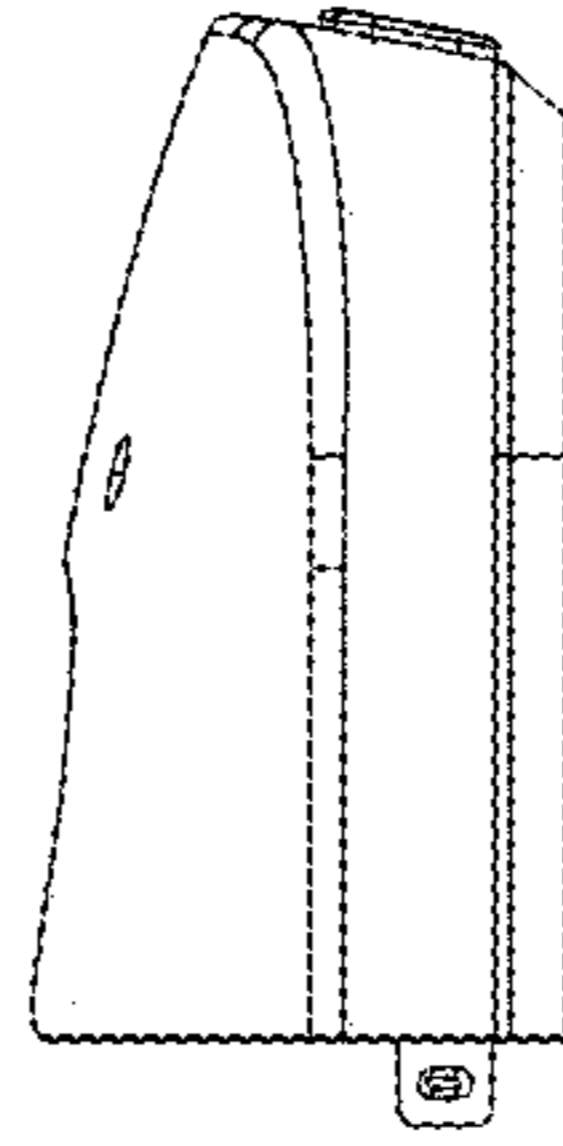
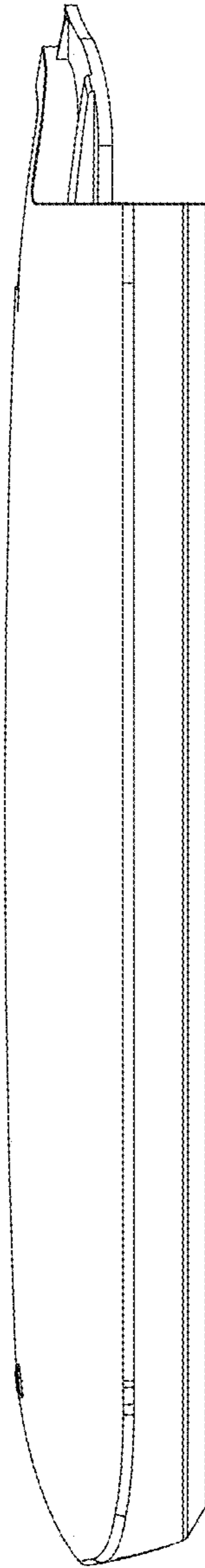


Figure 31



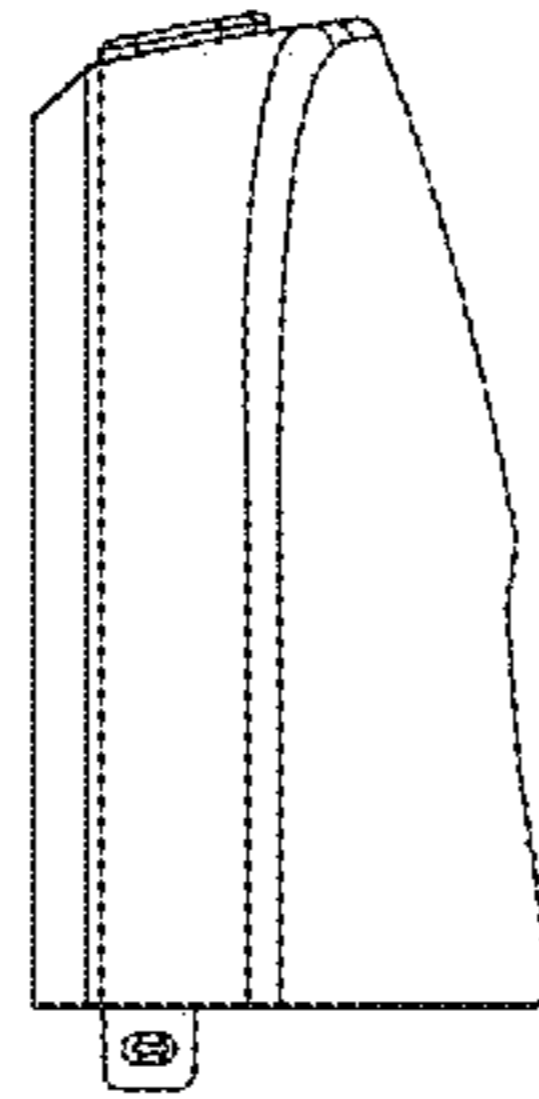


Figure 32

