



US00D732009S

(12) **United States Design Patent**
Bak

(10) **Patent No.:** **US D732,009 S**
(45) **Date of Patent:** **** Jun. 16, 2015**

(54) **DUAL MICROPHONE CLIP**

(71) Applicant: **Martin Bak**, Windsor (CA)

(72) Inventor: **Martin Bak**, Windsor (CA)

(73) Assignee: **Martin Bak**, Windsor (CA)

(**) Term: **14 Years**

(21) Appl. No.: **29/482,924**

(22) Filed: **Feb. 24, 2014**

(51) **LOC (10) Cl.** **14-01**

(52) **U.S. Cl.**
USPC **D14/229**; D8/396

(58) **Field of Classification Search**
USPC D14/224–229, 234; D16/208, 248;
D17/99, 22; D21/513; 181/158, 242;
381/26, 122, 355, 356, 361, 365, 366,
381/368, 369; 455/575.1, 90.3; D8/355,
D8/394–396; 403/188; 248/73, 122.1
CPC F16B 2/22; F16B 7/0433; F16L 3/13;
F16L 3/237; H02G 3/32; H04R 1/08; H04R
1/083; F16F 1/46; F16M 11/041; H01F
7/0252
See application file for complete search history.

(56) **References Cited**

U.S. PATENT DOCUMENTS

1,044,772	A *	11/1912	Gilbough	362/396
1,906,267	A *	5/1933	Hogg	401/8
D157,593	S *	3/1950	Hollaender	D8/382
2,776,462	A *	1/1957	Burroughs	248/122.1
3,425,150	A *	2/1969	Braese	43/25.2
3,521,332	A *	7/1970	Kramer	403/188
3,596,964	A *	8/1971	Zazzara	294/5
4,002,349	A *	1/1977	Dopp	280/814
4,040,547	A *	8/1977	Dickey	224/247

D251,908	S *	5/1979	Fujita	D14/229
D251,970	S *	5/1979	Fujita	D14/229
D253,457	S *	11/1979	Sandel	D8/395
D262,689	S *	1/1982	Beck	D8/396
D267,231	S *	12/1982	Guem, Jr.	D8/395
4,407,472	A *	10/1983	Beck	248/89
4,707,892	A *	11/1987	Nelson	24/336
D295,725	S *	5/1988	Shioda	D8/396
D298,739	S *	11/1988	Richards, Jr.	D8/395
D305,026	S *	12/1989	Wolf	D14/229
D326,927	S *	6/1992	Catalina	D26/138
D363,017	S *	10/1995	Noble	D8/395
D364,555	S *	11/1995	Neiert	D8/396
D417,141	S *	11/1999	Senninger	D8/395
D427,586	S *	7/2000	Cozzolino et al.	D14/229
D427,995	S *	7/2000	Cozzolino et al.	D14/229

(Continued)

OTHER PUBLICATIONS

Shure Americas Microphone Clips & Ties, <http://www.shure.com/americas/products/accessories/microphones/microphone-clips-ties>, accessed Mar. 10, 2014, 3 pages.

Primary Examiner — Susan Bennett Hattan

Assistant Examiner — Marie Fast Horse

(74) *Attorney, Agent, or Firm* — Bejin Bieneman PLC

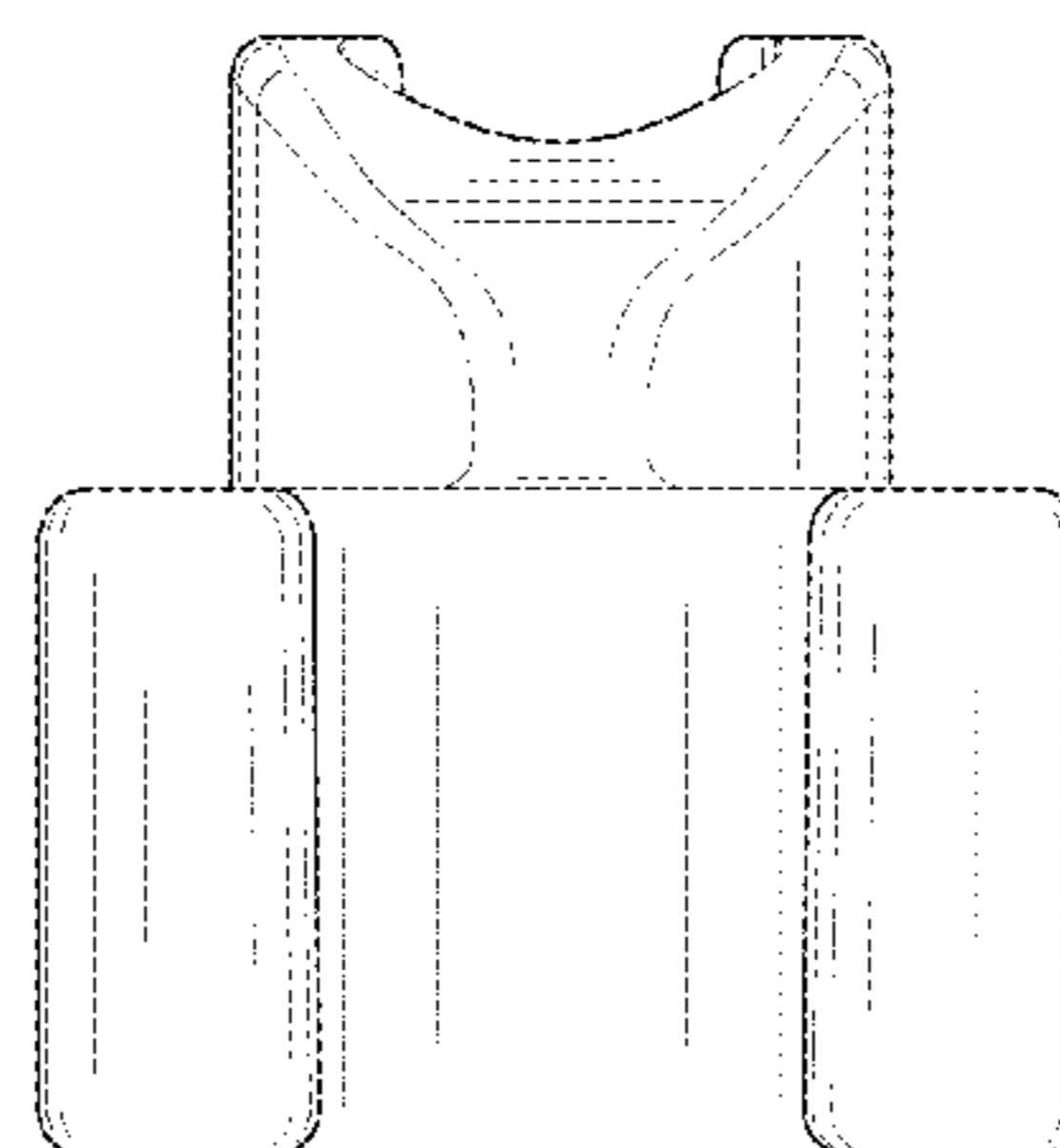
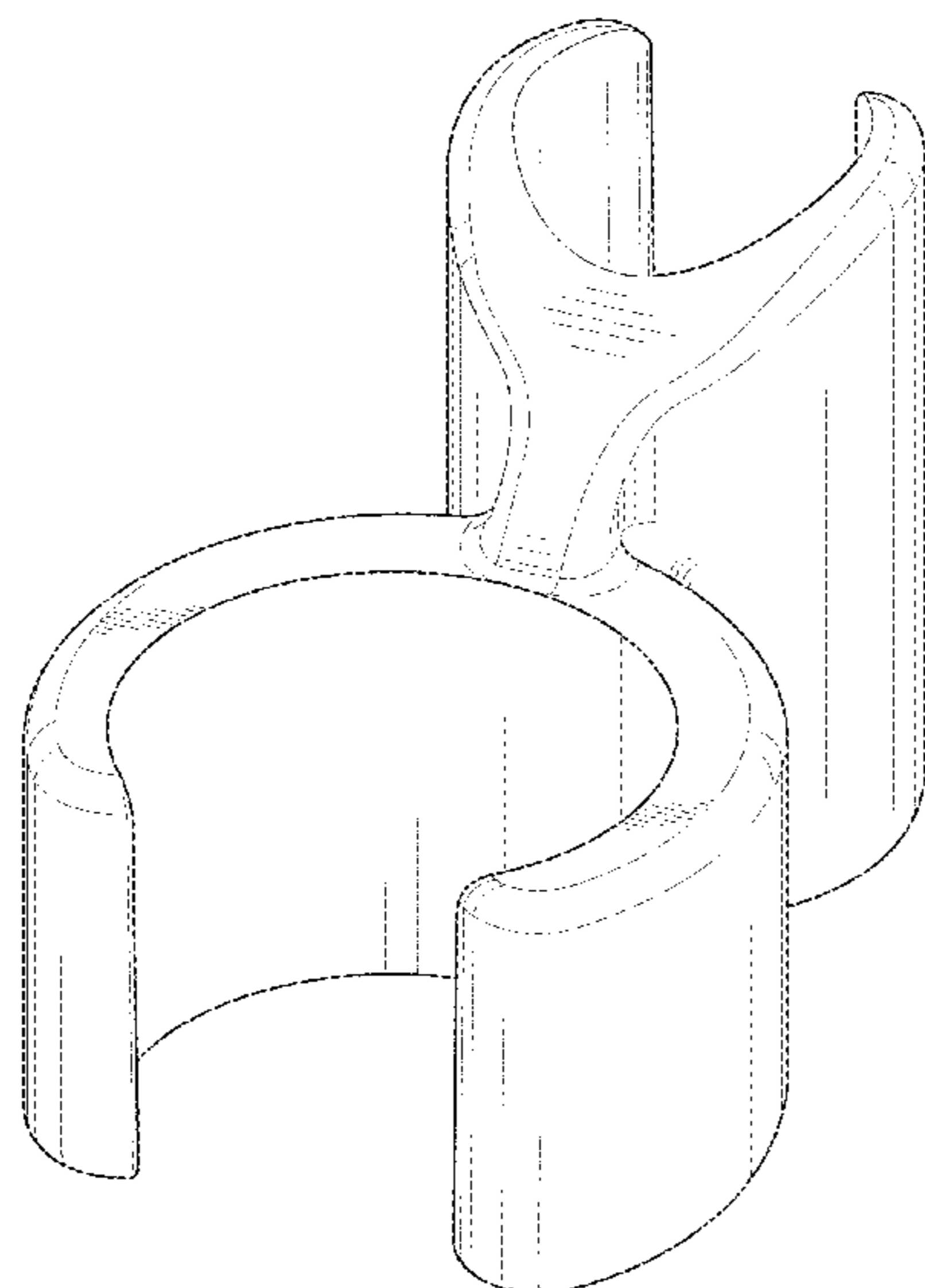
(57) **CLAIM**

The ornamental design for a dual microphone clip, as shown.

DESCRIPTION

FIG. 1 is a perspective view of a dual microphone clip; FIG. 2 is a right side view of the dual microphone clip; FIG. 3 is a left side view of the dual microphone clip; FIG. 4 is a top view of the dual microphone clip; FIG. 5 is a bottom view of the dual microphone clip; FIG. 6 is a front view of the dual microphone clip; and, FIG. 7 is a rear view of the dual microphone clip.

1 Claim, 4 Drawing Sheets



(56)

References Cited

U.S. PATENT DOCUMENTS

D440,005 S *	4/2001	Blanton	D26/138	D618,222 S *	6/2010	Kallas et al.	D14/229
D506,385 S *	6/2005	Brown	D8/396	7,900,419 B2 *	3/2011	Kodi	52/745.21
D563,396 S *	3/2008	Probst et al.	D14/228	D660,690 S *	5/2012	Mixides	D8/396
D579,928 S *	11/2008	Murata	D14/229	8,640,323 B2 *	2/2014	Kodi	29/525.01
D587,564 S *	3/2009	Kodi	D8/396	D713,712 S *	9/2014	Beverluis	D8/396
					2003/0035561 A1 *	2/2003	Hsieh	381/361
					2008/0256761 A1 *	10/2008	Bukoski	24/129 R

* cited by examiner

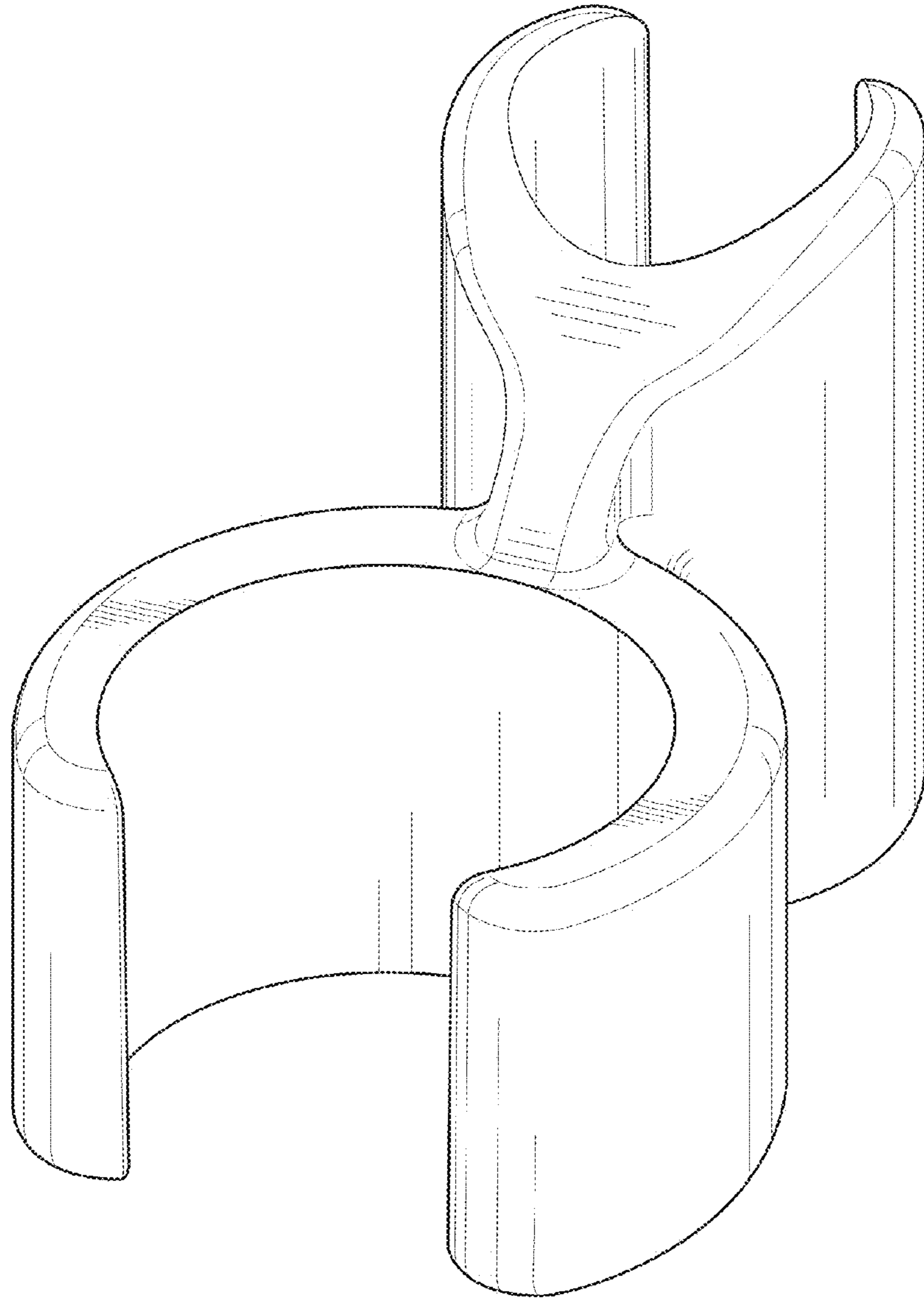


FIG. 1

FIG. 2

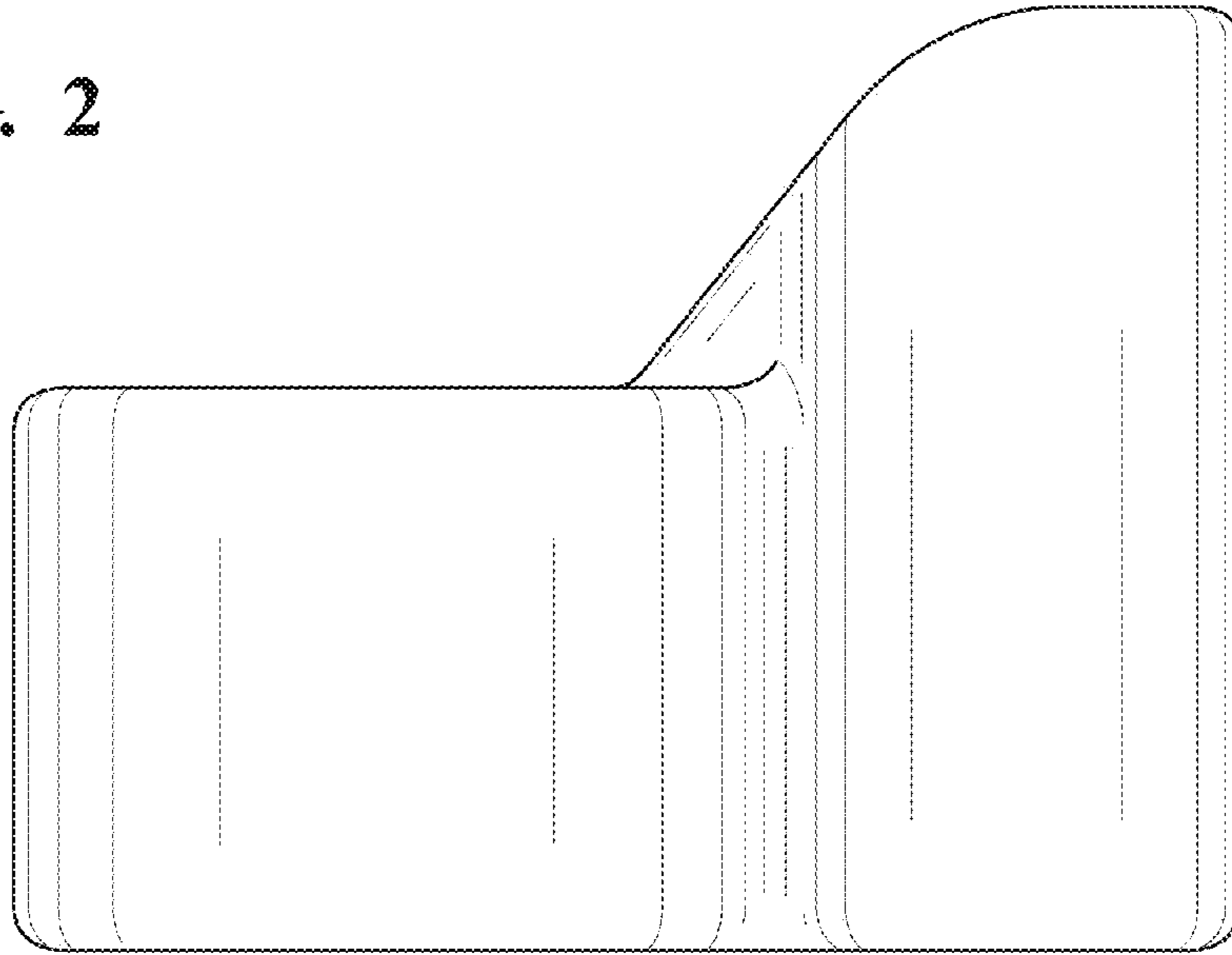


FIG. 3

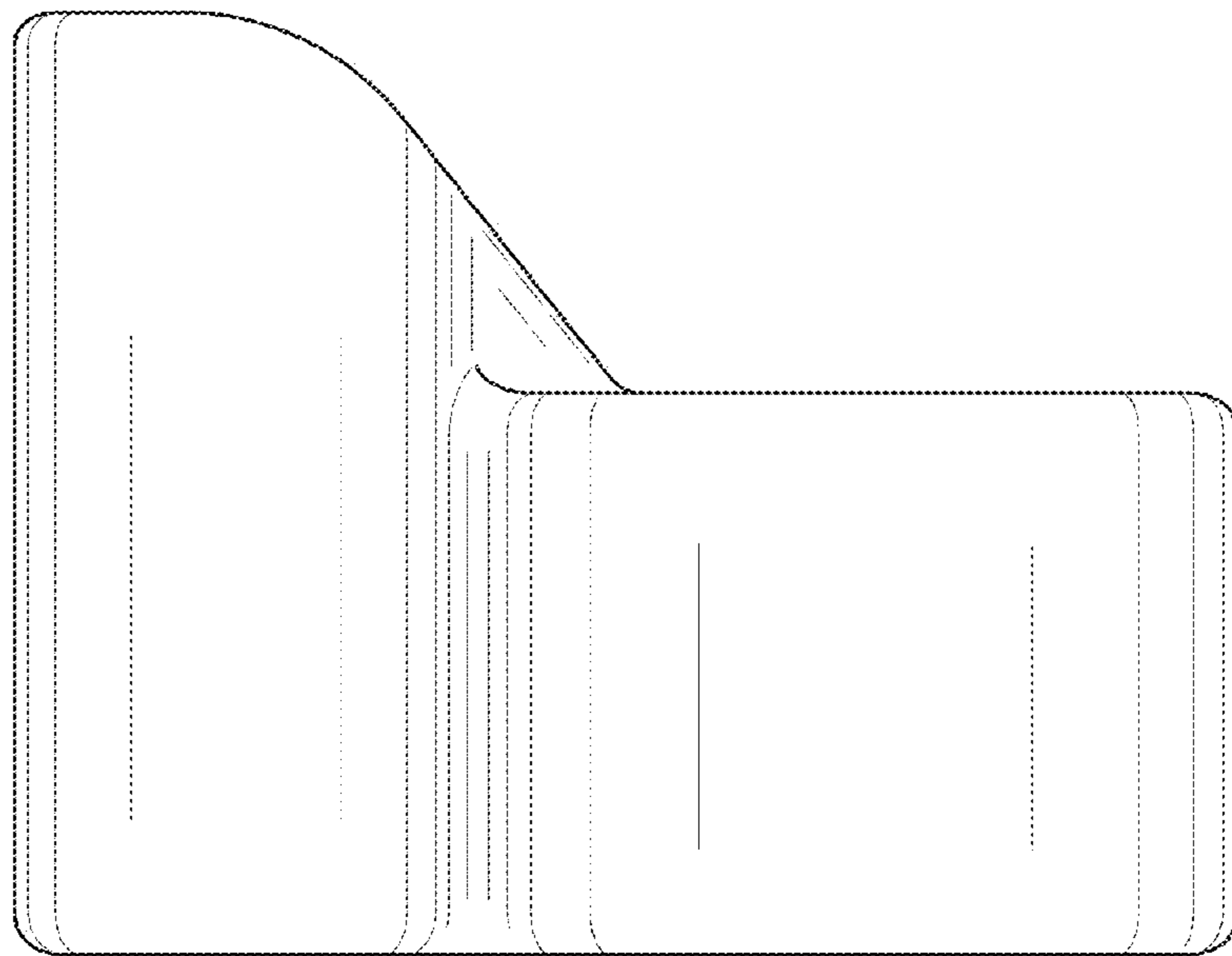


FIG. 4

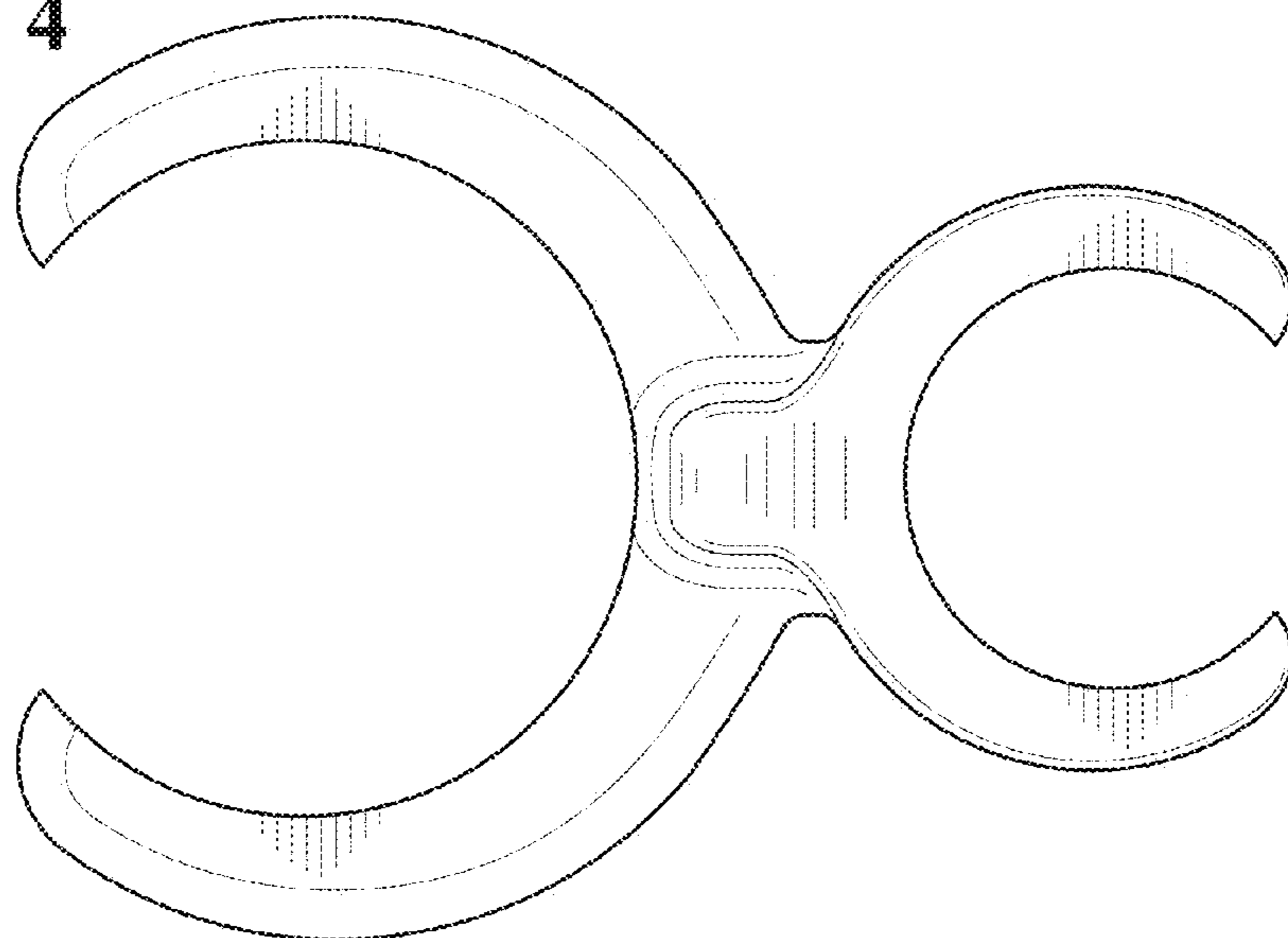


FIG. 5

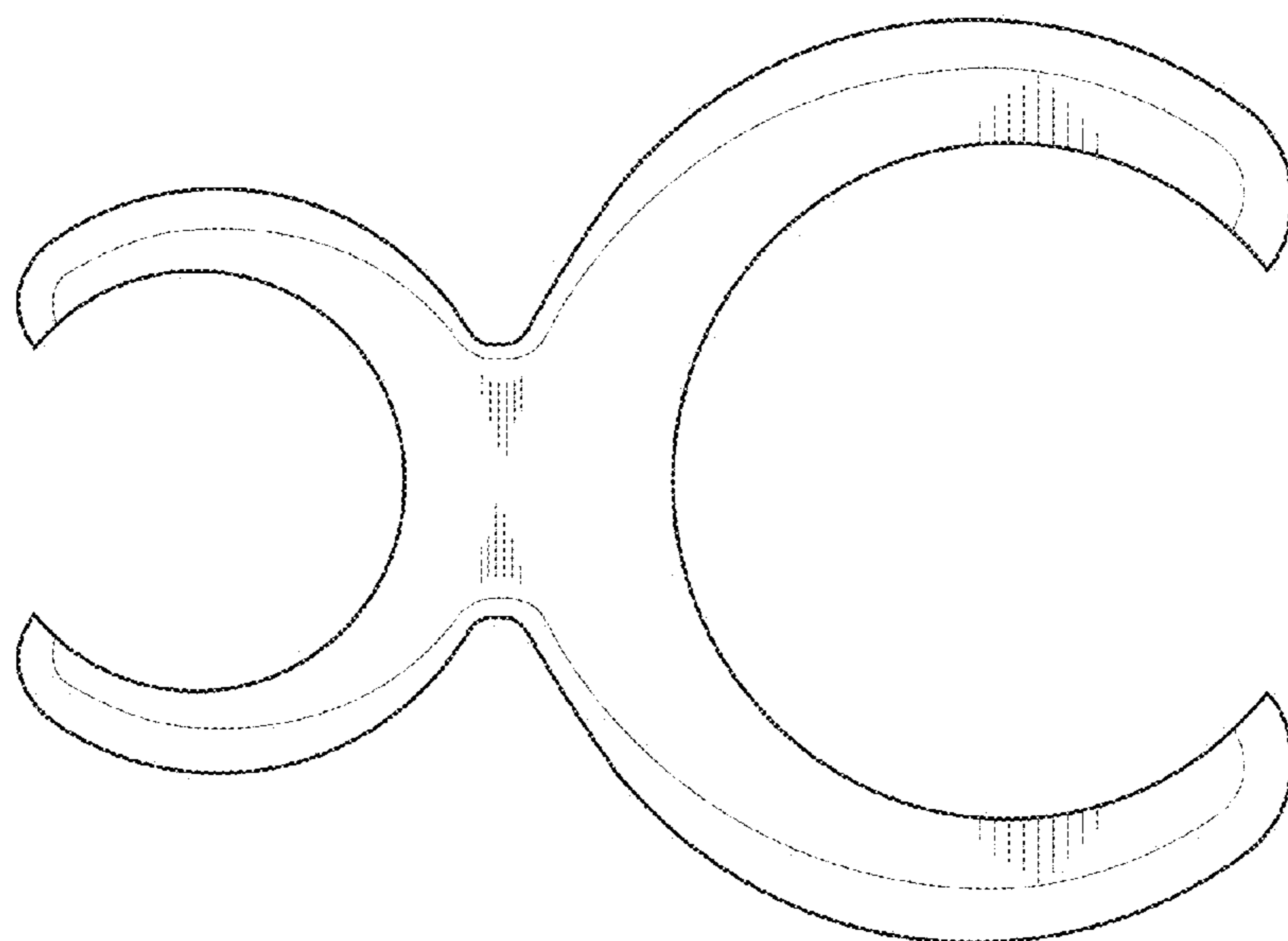


FIG. 6

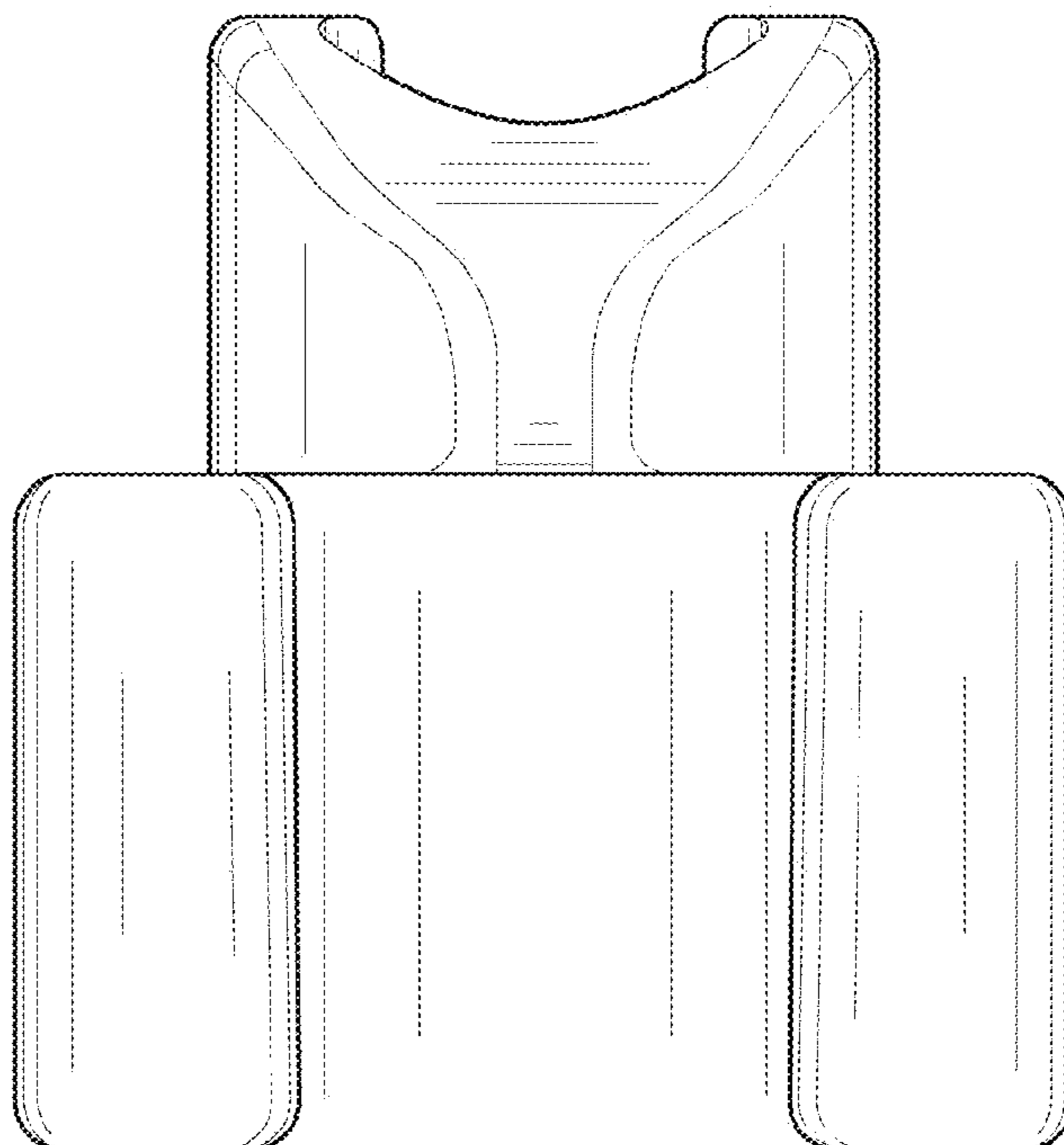


FIG. 7

