



US00D732008S

(12) **United States Design Patent**
Akana et al.

(10) **Patent No.:** **US D732,008 S**
(45) **Date of Patent:** **** Jun. 16, 2015**

(54) **EARPHONE**

CPC H04R 1/10
See application file for complete search history.

(71) Applicant: **Apple Inc.**, Cupertino, CA (US)

(56) **References Cited**

(72) Inventors: **Jody Akana**, San Francisco, CA (US);
Bartley K. Andre, Palo Alto, CA (US);
Jeremy Bataillou, San Francisco, CA
(US); **Daniel J. Coster**, San Francisco,
CA (US); **Daniele De Iuliis**, San
Francisco, CA (US); **M. Evans Hankey**,
San Francisco, CA (US); **Julian Hoenic**,
San Francisco, CA (US); **Richard P.**
Howarth, San Francisco, CA (US);
Jonathan P. Ive, San Francisco, CA
(US); **Duncan Robert Kerr**, San
Francisco, CA (US); **Shin Nishibori**,
Kailua, HI (US); **Matthew Dean**
Rohrbach, San Francisco, CA (US);
Peter Russell-Clarke, San Francisco,
CA (US); **Christopher J. Stringer**,
Woodside, CA (US); **Eugene Antony**
Whang, San Francisco, CA (US); **Rico**
Zörkendörfer, San Francisco, CA (US)

U.S. PATENT DOCUMENTS

2,148,477 A * 2/1939 Koch 381/151
2,595,489 A * 5/1952 Rutter et al. 381/190

(Continued)

OTHER PUBLICATIONS

“iBlink WLP3 Earbuds—100Hz-10kHz, Noise Isolations, 3.5mm
Jack, LED Light (Pink), White,” TigerDirect.com, accessed at http://www.tigerdirect.com/applications/SearchTools/item-details.asp?EdpNo=3988300&csid=_61, last accessed on Jan. 31, 2013; 4
pages.

(Continued)

Primary Examiner — Paula Greene

(74) *Attorney, Agent, or Firm* — Sterne, Kessler, Goldstein
& Fox P.L.L.C.

(73) Assignee: **Apple Inc.**, Cupertino, CA (US)

(57) **CLAIM**

The ornamental design for an earphone, as shown and
described.

(**) Term: **14 Years**

DESCRIPTION

(21) Appl. No.: **29/493,749**

FIG. 1 is a front perspective view of an earphone showing our
new design;

(22) Filed: **Jun. 12, 2014**

Related U.S. Application Data

(63) Continuation of application No. 29/453,449, filed on
Apr. 29, 2013, now Pat. No. Des. 707,206, which is a
continuation of application No. 29/431,563, filed on
Sep. 8, 2012, now Pat. No. Des. 681,015.

FIG. 2 is a rear perspective view thereof;

FIG. 3 is a front view thereof;

FIG. 4 is a rear view thereof;

FIG. 5 is a right side view thereof;

FIG. 6 is a left side view thereof;

FIG. 7 is a top view thereof; and,

FIG. 8 is a bottom view thereof.

(51) **LOC (10) Cl.** **14-01**

(52) **U.S. Cl.**
USPC **D14/223**

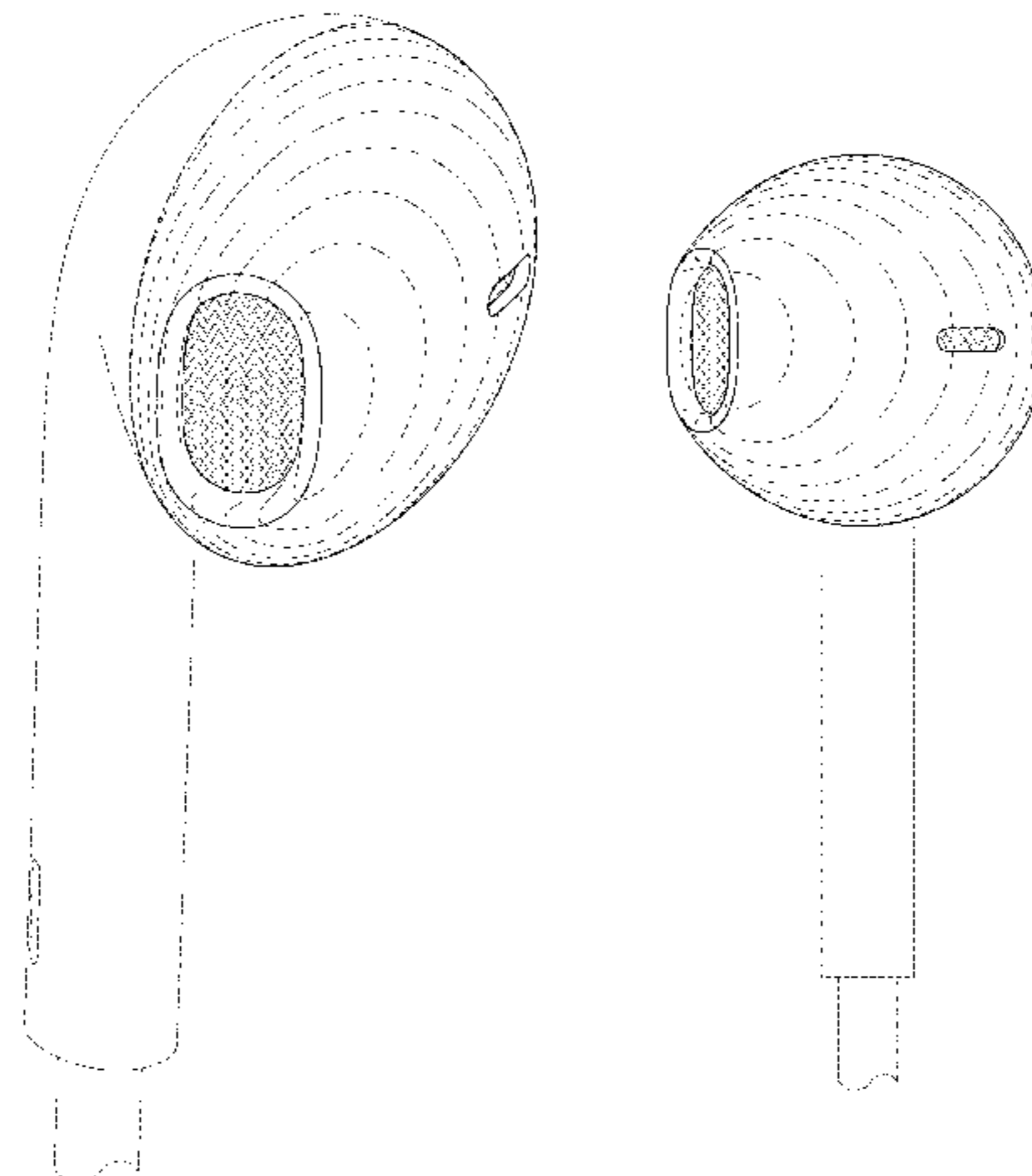
(58) **Field of Classification Search**

USPC D14/223, 206; D24/106, 174; 181/129,
181/130, 135; 379/430, 431, 420.04;
381/380, 381; 128/864, 865, 866;
455/90.3, 575.1

The broken lines in the Figures show portions of the earphone
that form no part of the claimed design. The dot dash lines
show an unclaimed boundary and form no part of the claimed
design.

The shade lines in the Figures show contour and not surface
ornamentation.

1 Claim, 5 Drawing Sheets



(56)

References Cited

U.S. PATENT DOCUMENTS

3,368,644 A * 2/1968 Henderson 181/129
 4,532,649 A 7/1985 Bellafiore
 4,672,672 A 6/1987 Eggert et al.
 4,677,675 A * 6/1987 Killion et al. 381/322
 4,736,430 A 4/1988 Schroder
 4,965,838 A 10/1990 Kamon et al.
 D331,057 S * 11/1992 Isonaga D14/205
 D337,118 S * 7/1993 Seikita D14/223
 D344,800 S * 3/1994 Lamby D24/174
 D353,379 S 12/1994 Nakamura et al.
 5,420,935 A * 5/1995 Shinohara et al. 381/370
 D410,079 S * 5/1999 Falco et al. D24/106
 6,122,369 A 9/2000 Hwang et al.
 D469,753 S 2/2003 Andre et al.
 6,690,807 B1 * 2/2004 Meyer 381/327
 D488,460 S * 4/2004 Alwicker et al. D14/223
 6,731,772 B1 5/2004 Byun
 D499,397 S * 12/2004 Hlas et al. D14/223
 D505,132 S 5/2005 Linville et al.
 D506,744 S 6/2005 Andre et al.
 D515,070 S 2/2006 Andre et al.
 D523,846 S 6/2006 Lee
 D533,868 S 12/2006 Koizumi
 D554,109 S 10/2007 Ledbetter et al.
 D557,689 S * 12/2007 Huang et al. D14/223
 D566,687 S 4/2008 Duarte et al.
 D568,291 S 5/2008 Andre et al.
 D573,977 S 7/2008 Ledbetter et al.
 D575,269 S 8/2008 Ledbetter et al.
 D578,518 S 10/2008 Ewert
 D579,923 S 11/2008 Andre et al.
 D587,677 S 3/2009 Andre et al.
 D589,491 S 3/2009 Andre et al.
 D589,498 S 3/2009 Komiyama
 D590,375 S 4/2009 Komiyama
 D593,537 S 6/2009 Arimoto
 D596,616 S 7/2009 Andre et al.
 D599,330 S 9/2009 Andre et al.
 D601,134 S * 9/2009 Elabidi et al. D14/223
 D616,874 S 6/2010 Matsuoka
 D618,209 S 6/2010 Andre et al.
 D618,210 S 6/2010 Andre et al.
 D618,219 S 6/2010 Burgett et al.

D622,265 S * 8/2010 Rye D14/223
 D626,948 S 11/2010 Nault
 D627,766 S 11/2010 Arimoto
 D628,193 S 11/2010 Zheng
 D632,282 S * 2/2011 Kitayama D14/223
 D633,086 S 2/2011 Chen
 D635,960 S * 4/2011 Gondo et al. D14/223
 D639,279 S 6/2011 Andre et al.
 D652,823 S 1/2012 Chen
 D656,481 S 3/2012 McManigal
 D662,493 S 6/2012 Chen
 D662,495 S 6/2012 Andre et al.
 D664,523 S 7/2012 Naitou
 D666,580 S 9/2012 Lee et al.
 D669,058 S 10/2012 Lee et al.
 D669,453 S 10/2012 Katsuraku et al.
 D674,781 S * 1/2013 Sakata D14/223
 D675,194 S 1/2013 Andre et al.
 8,345,912 B2 1/2013 Akihiko et al.
 D676,427 S 2/2013 Yang
 8,391,533 B2 3/2013 Sim et al.
 D681,015 S 4/2013 Akana et al.
 D687,419 S 8/2013 Andre et al.
 8,515,116 B2 * 8/2013 Lee 381/380
 D691,594 S * 10/2013 Akana et al. D14/223
 D694,220 S * 11/2013 Lee et al. D14/223
 D694,249 S 11/2013 Akana et al.
 D706,643 S 6/2014 Akana et al.
 D707,706 S 6/2014 Akana et al.
 8,800,712 B2 * 8/2014 Campbell et al. 181/135
 D712,279 S 9/2014 Akana et al.
 D718,285 S * 11/2014 Shibusawa D14/223
 8,965,030 B2 * 2/2015 Aase 381/380
 2012/0155692 A1 6/2012 Chen
 2012/0237074 A1 9/2012 Aase
 2013/0004011 A1 1/2013 Hayashida et al.
 2013/0343595 A1 12/2013 Zorkendorfer et al.

OTHER PUBLICATIONS

“Philips SHE2650/37 In-Ear Earbuds with Twin Vents,” ShoppingNexus.com, accessed at <http://www.shoppingnexus.com/electronics/pr/philips-she265037-in-ear-earbuds-with-twin-vents1.html>, last accessed on Jan. 31, 2013; 1 page.

* cited by examiner

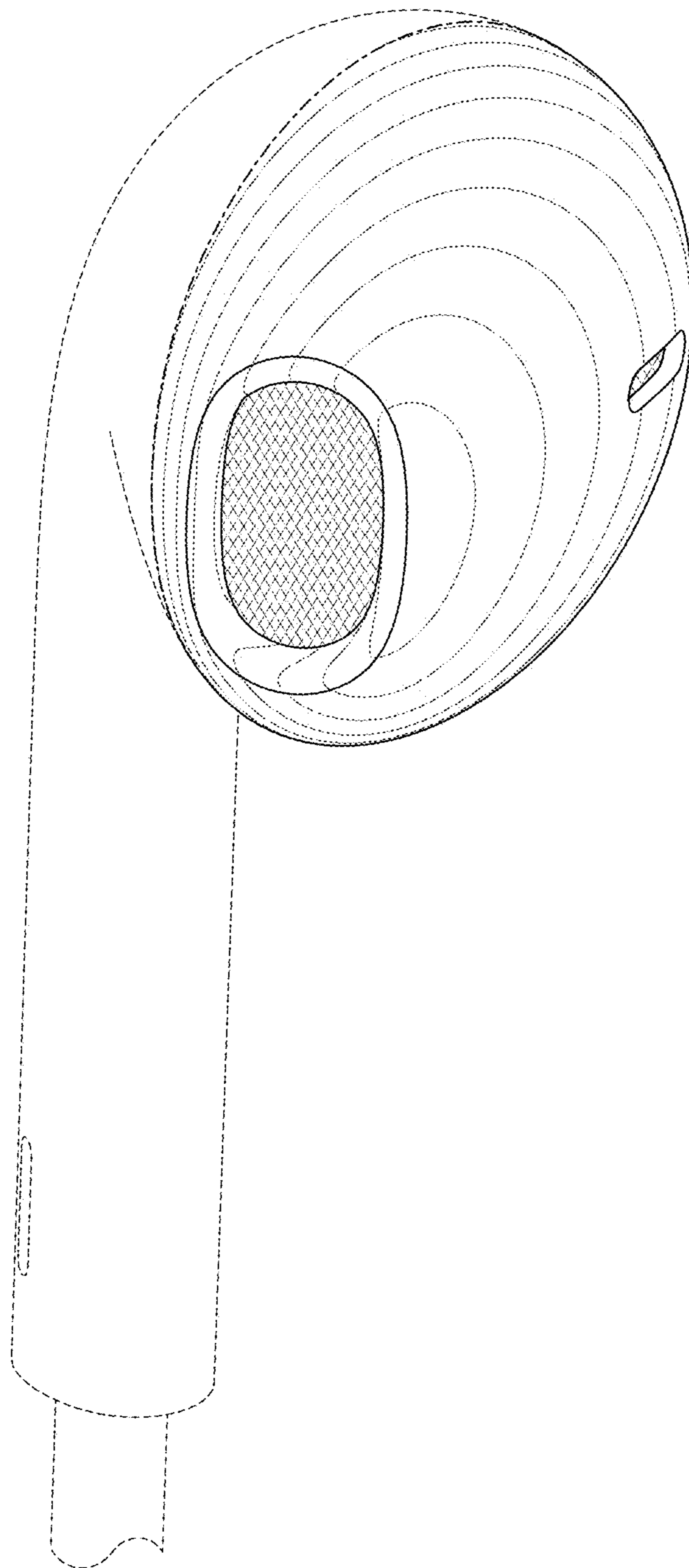


FIG. 1

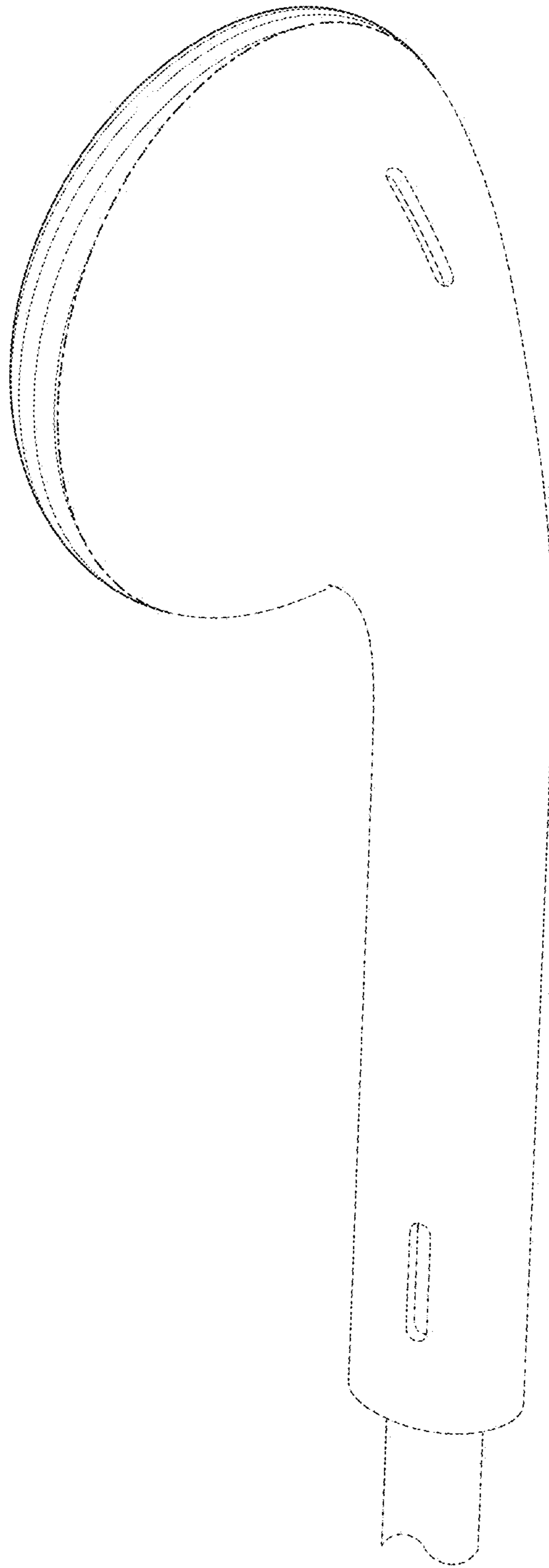


FIG. 2

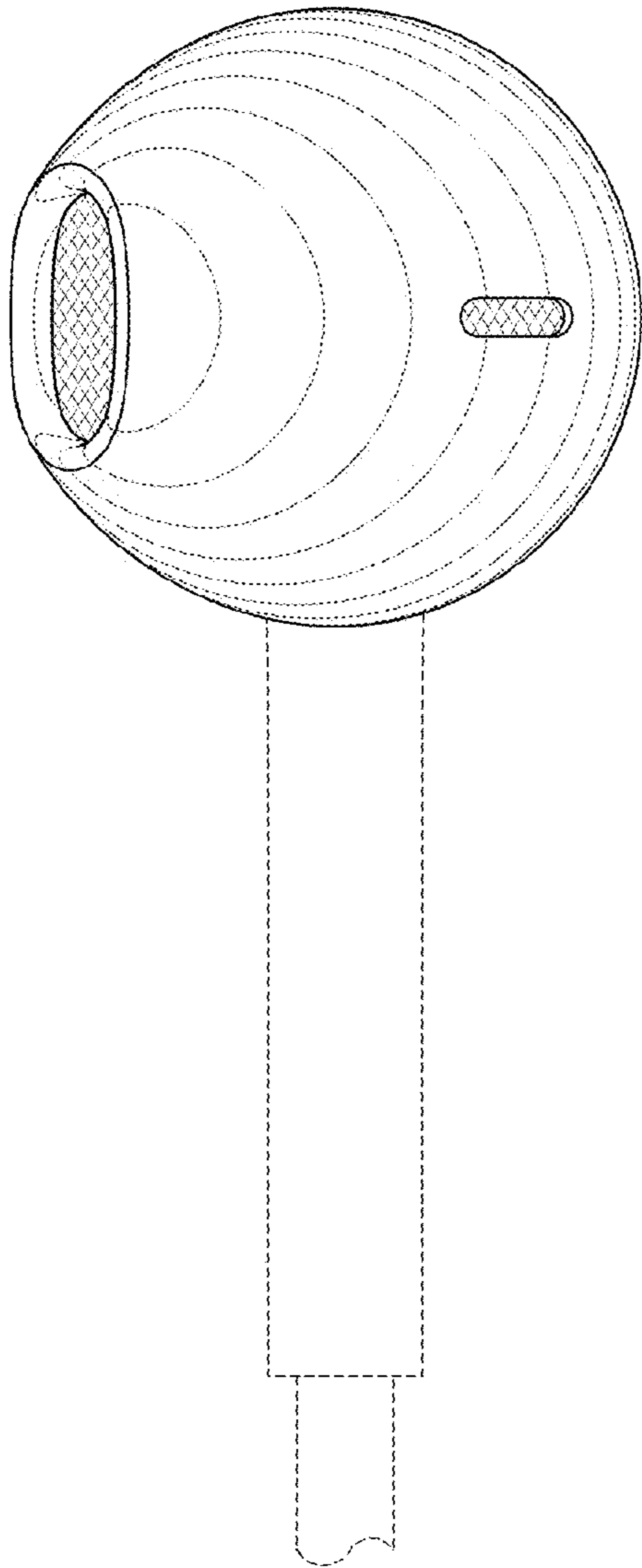


FIG. 3

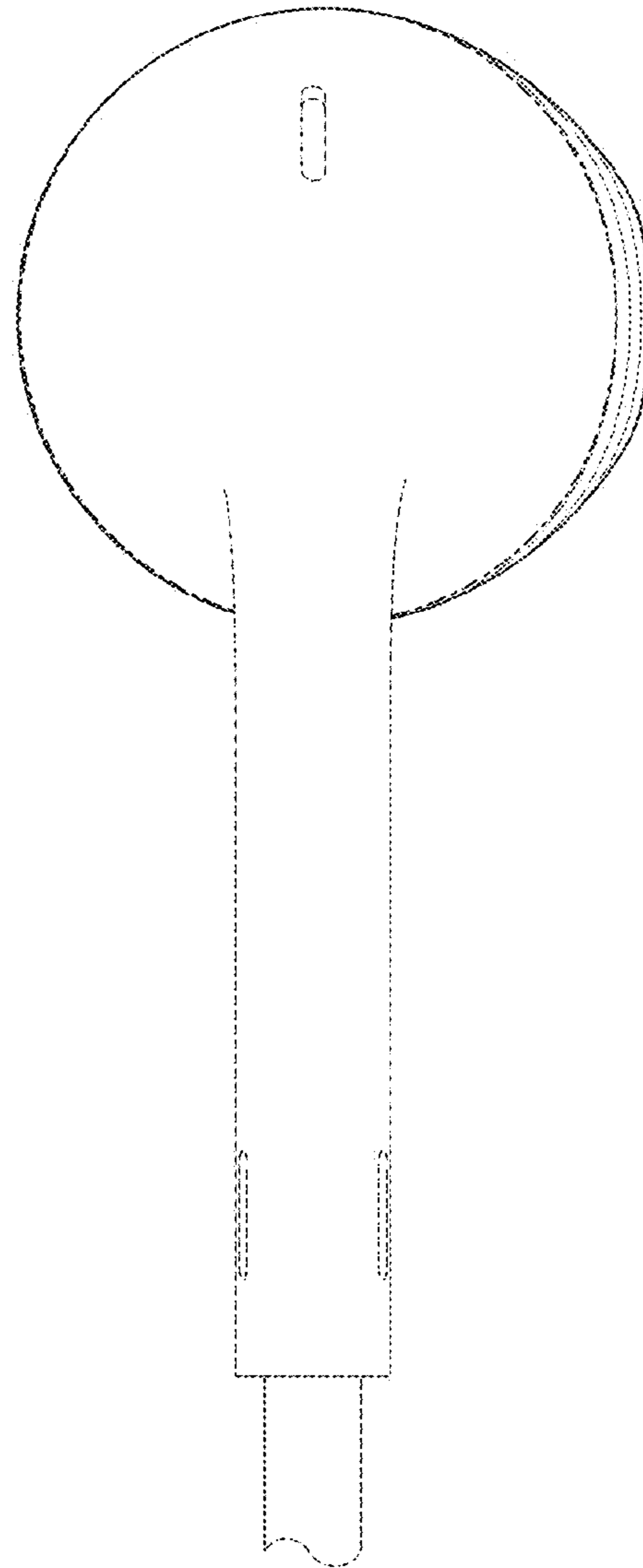


FIG. 4

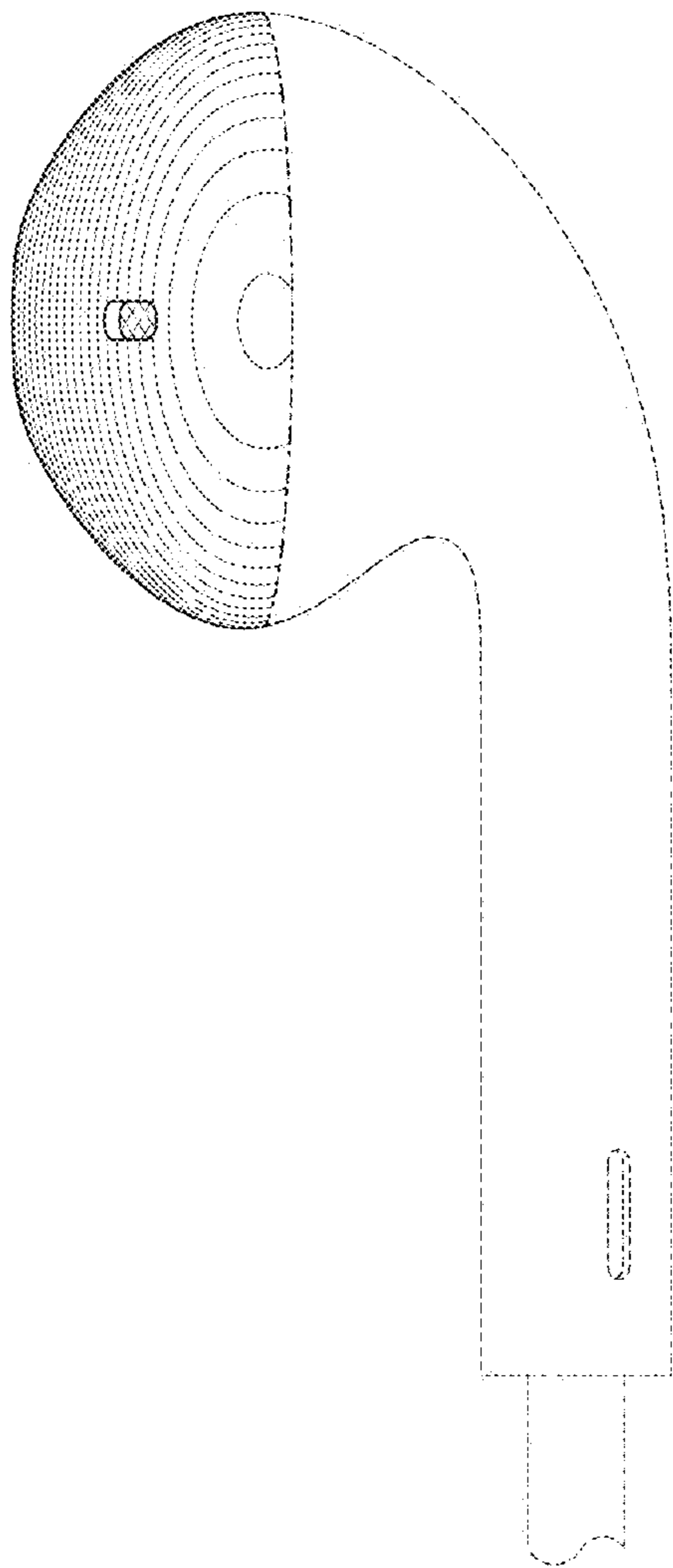


FIG. 5

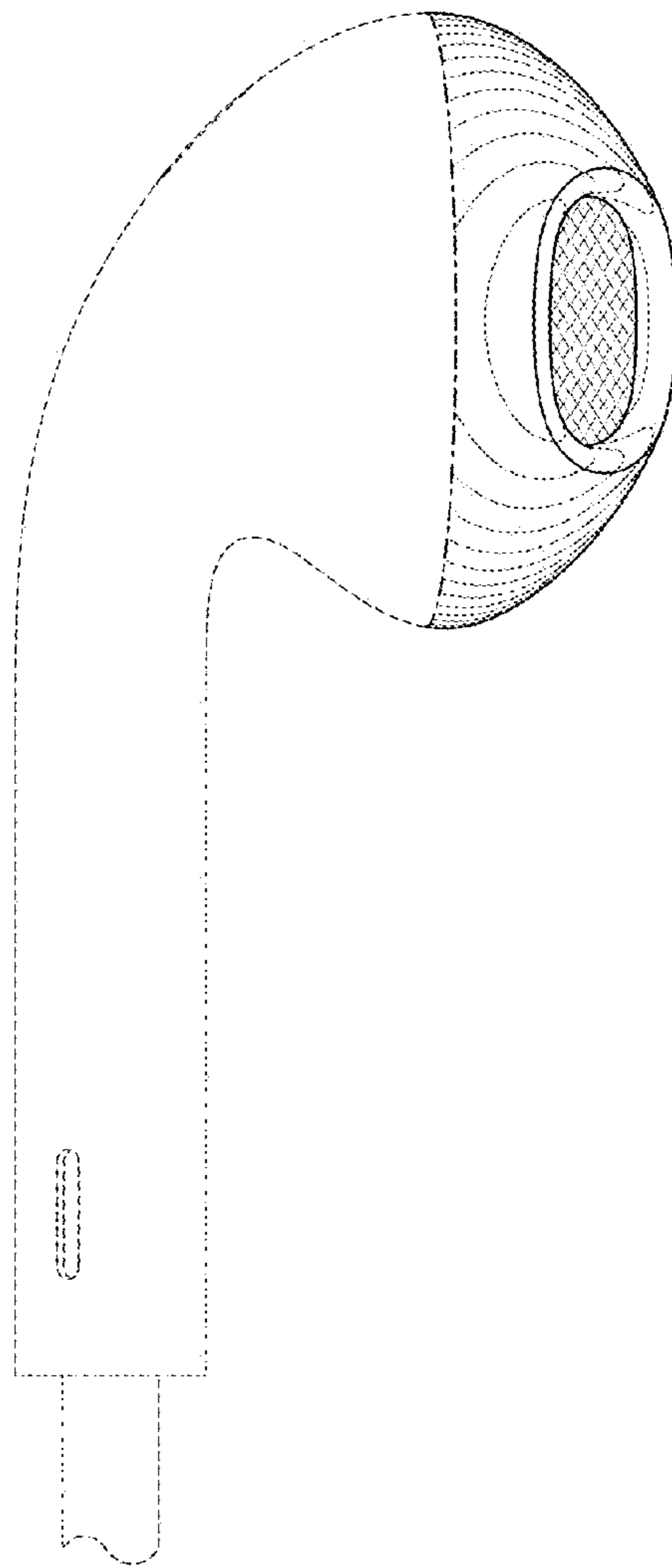


FIG. 6

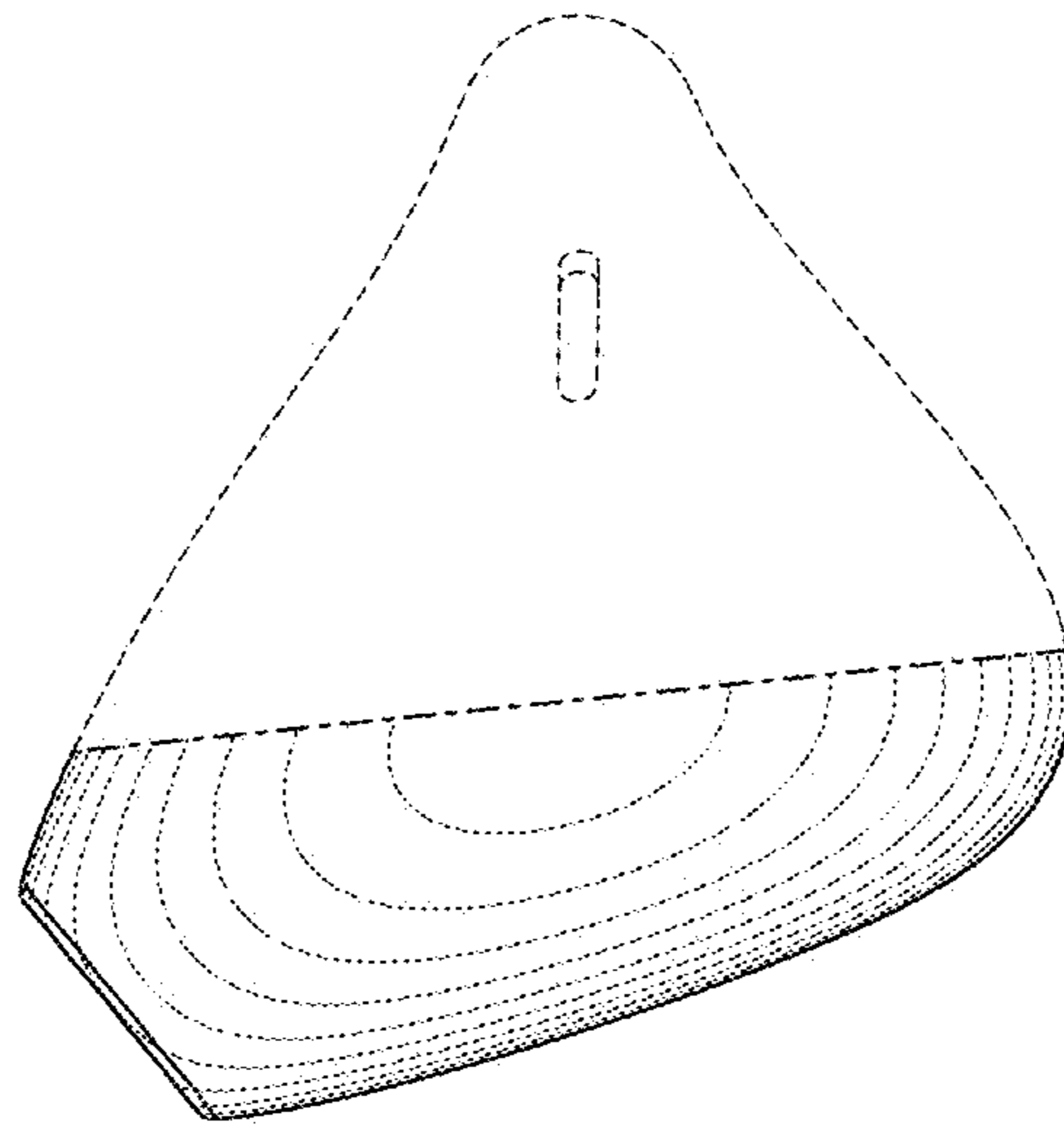


FIG. 7

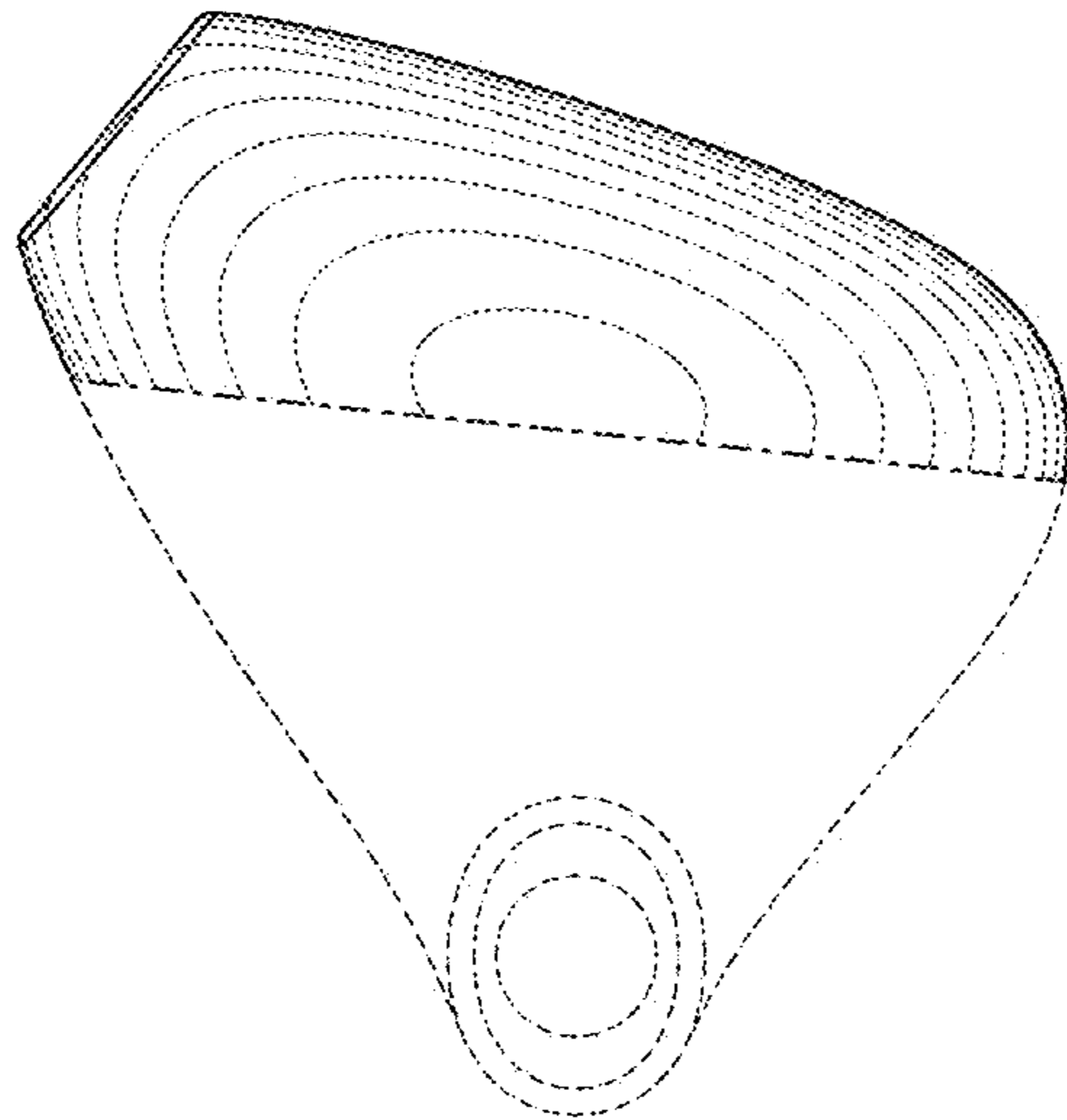


FIG. 8