



US00D732007S

(12) **United States Design Patent**
Oksman et al.

(10) **Patent No.:** **US D732,007 S**
(45) **Date of Patent:** **** Jun. 16, 2015**

- (54) **WIRELESS HEADSET**
- (71) Applicant: **Nokia Corporation**, Espoo (FI)
- (72) Inventors: **Markku Oksman**, Turku (FI); **Chao Huang**, Espoo (FI)
- (73) Assignee: **NOKIA CORPORATION**, Espoo (FI)
- (**) Term: **14 Years**
- (21) Appl. No.: **29/488,898**
- (22) Filed: **Apr. 24, 2014**
- (51) **LOC (10) Cl.** **14-01**
- (52) **U.S. Cl.**
USPC **D14/223**
- (58) **Field of Classification Search**
USPC D14/223, 205; 181/129, 130, 135;
379/430, 431; 381/380, 381; 455/90.3,
455/575.1
CPC H04R 1/10
See application file for complete search history.

- D664,125 S * 7/2012 Koch et al. D14/223
- D675,600 S * 2/2013 Koch D14/223
- D691,120 S * 10/2013 Koch D14/223
- D693,796 S * 11/2013 Birger D14/223
- D710,830 S * 8/2014 Birger D14/223

* cited by examiner

Primary Examiner — Paula Greene

(74) *Attorney, Agent, or Firm* — Banner & Witcoff, Ltd.

(57) **CLAIM**

The ornamental design for a wireless headset, as shown and described.

DESCRIPTION

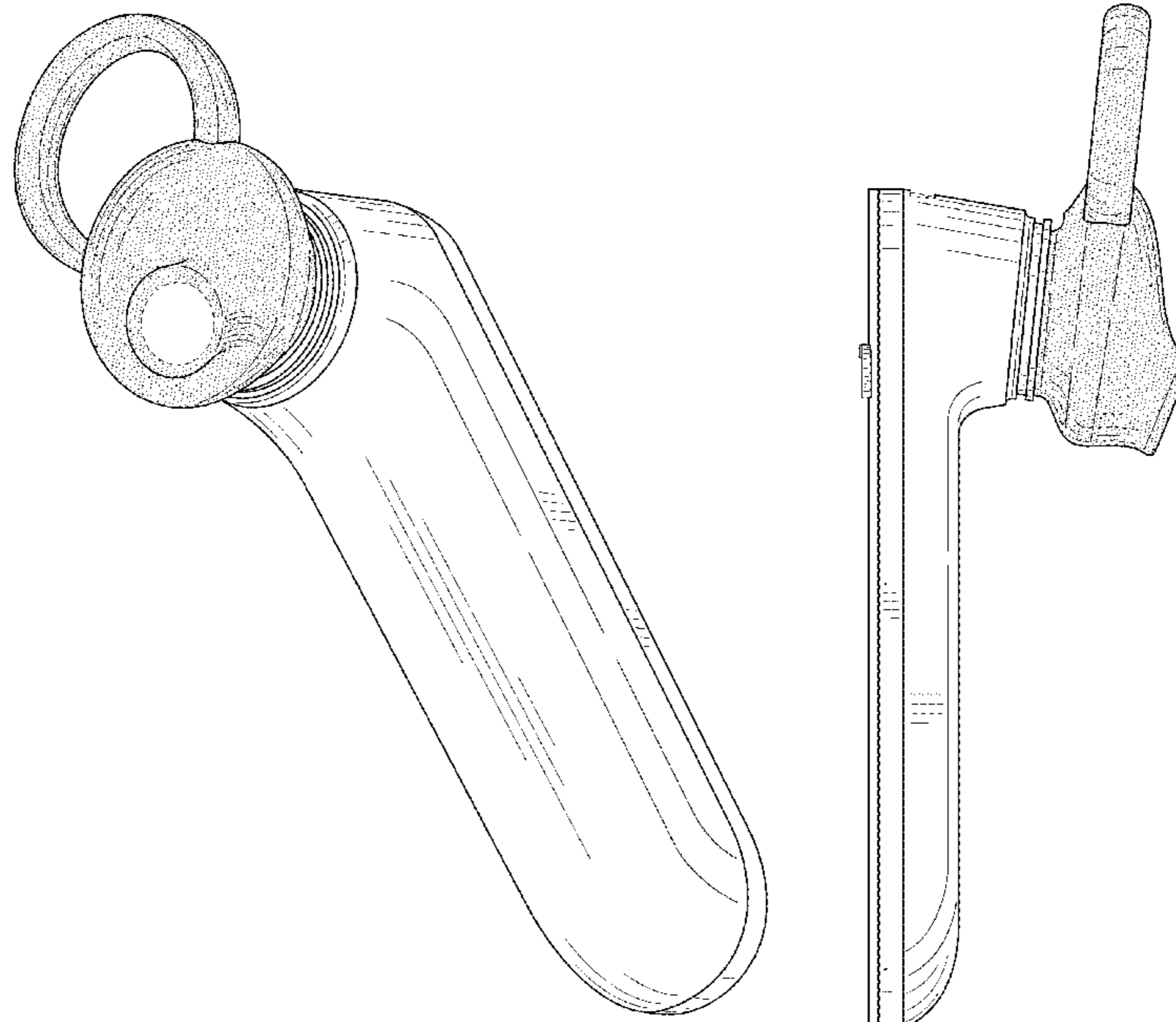
FIG. 1 is a perspective front view of a wireless headset showing our new design;
 FIG. 2 is a front view thereof;
 FIG. 3 is a rear view thereof;
 FIG. 4 is a right side view thereof;
 FIG. 5 is a left side view thereof;
 FIG. 6 is a top view thereof;
 FIG. 7 is a bottom view thereof;
 FIG. 8 is a perspective rear view thereof;
 FIG. 9 is a perspective front view of a wireless headset showing our new design;
 FIG. 10 is a front view thereof;
 FIG. 11 is a rear view thereof;
 FIG. 12 is a right side view thereof;
 FIG. 13 is a left side view thereof;
 FIG. 14 is a top view thereof;
 FIG. 15 is a bottom view thereof; and,
 FIG. 16 is a perspective rear view thereof.
 The broken lines showing the environment of the wireless headset in FIGS. 1-8 are for environmental purposes only and form no part of the claimed design.

(56) **References Cited**

U.S. PATENT DOCUMENTS

- D517,053 S * 3/2006 Ham D14/223
- D538,271 S * 3/2007 Kim et al. D14/223
- D582,897 S * 12/2008 Christopher et al. D14/223
- D590,813 S * 4/2009 Bradford et al. D14/223
- D616,873 S * 6/2010 Olivier D14/223
- D628,194 S * 11/2010 Koch D14/223
- D630,620 S * 1/2011 Lee et al. D14/223
- D636,381 S * 4/2011 Liner D14/223
- D640,242 S * 6/2011 Fahrendorff et al. D14/223
- D641,739 S * 7/2011 Huang D14/223
- D643,420 S * 8/2011 Huang D14/223
- D656,490 S * 3/2012 Birger D14/223

1 Claim, 10 Drawing Sheets



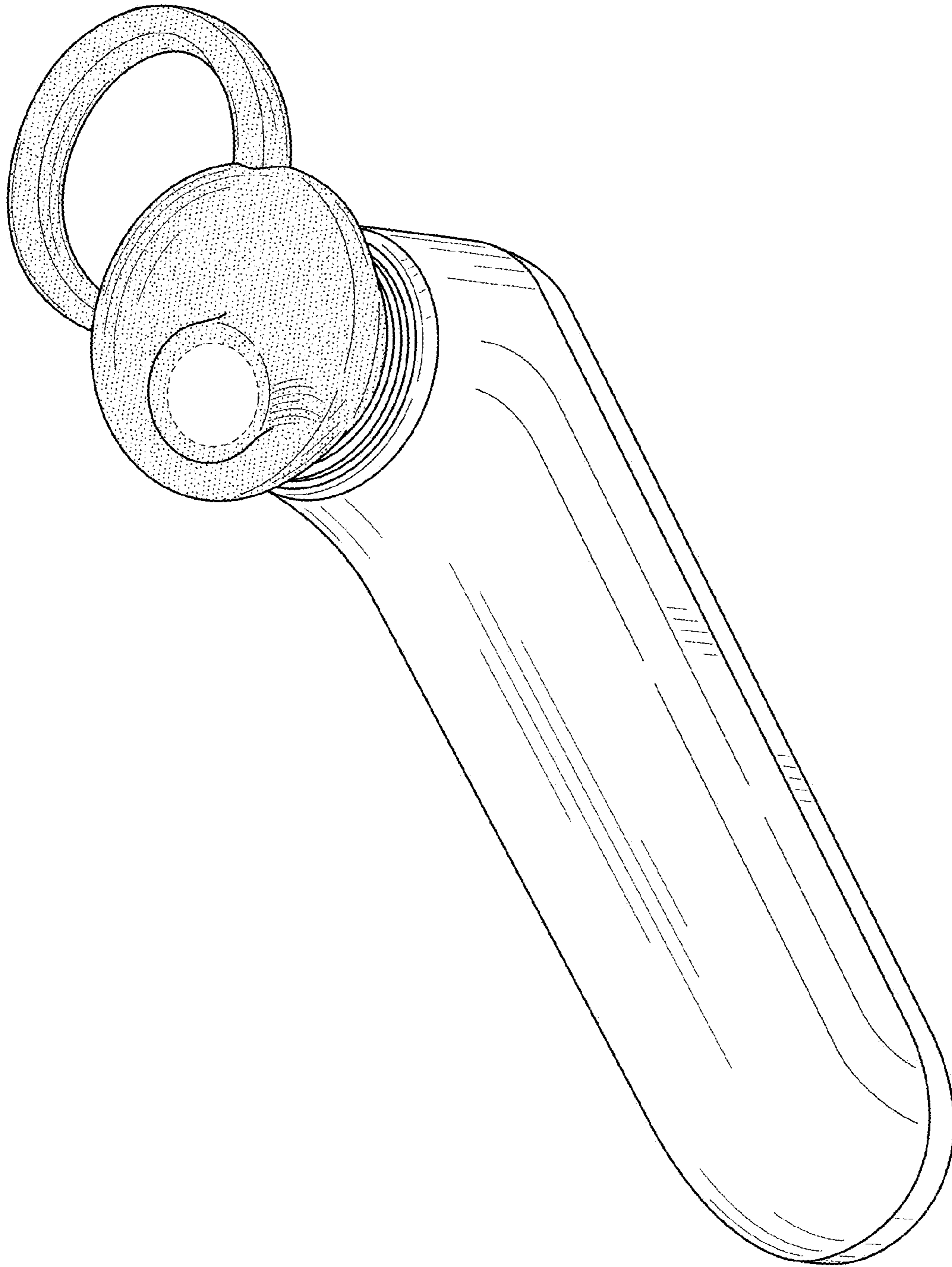


FIG. 1

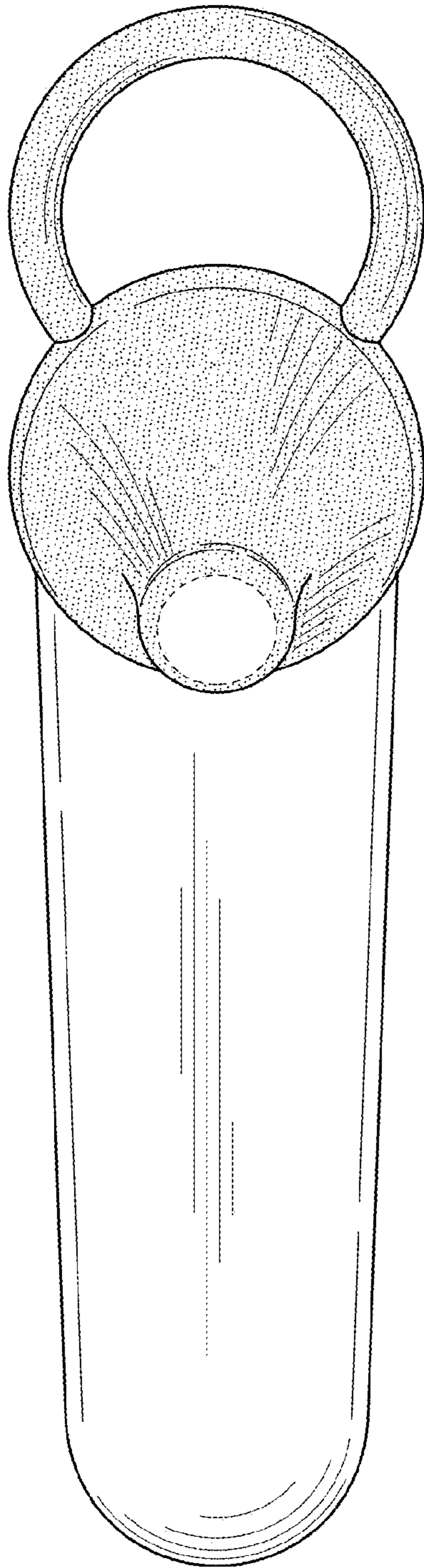


FIG. 2

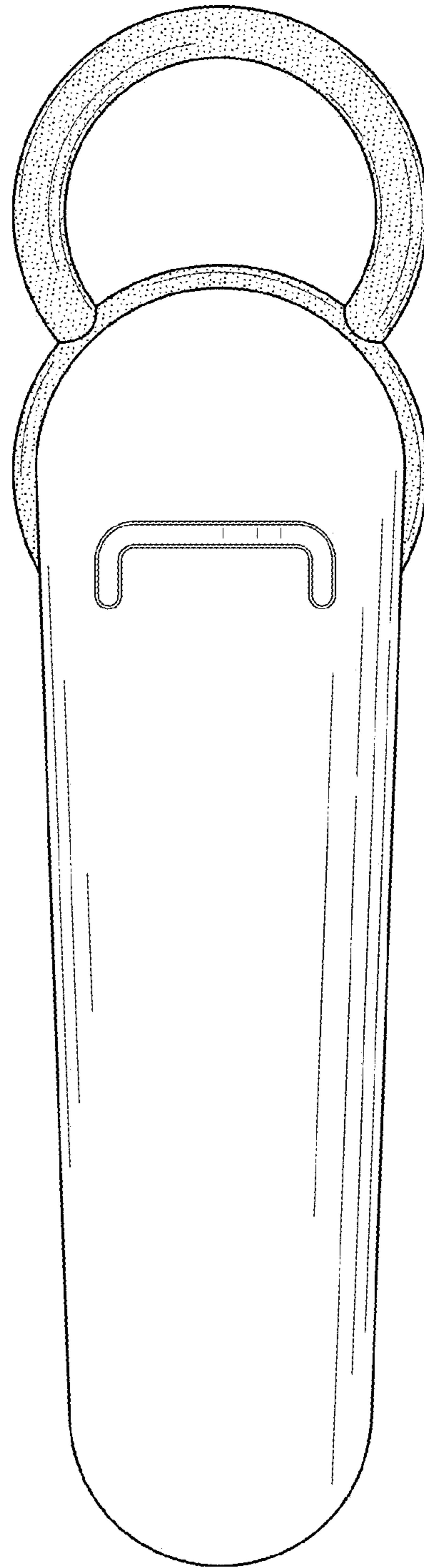


FIG. 3

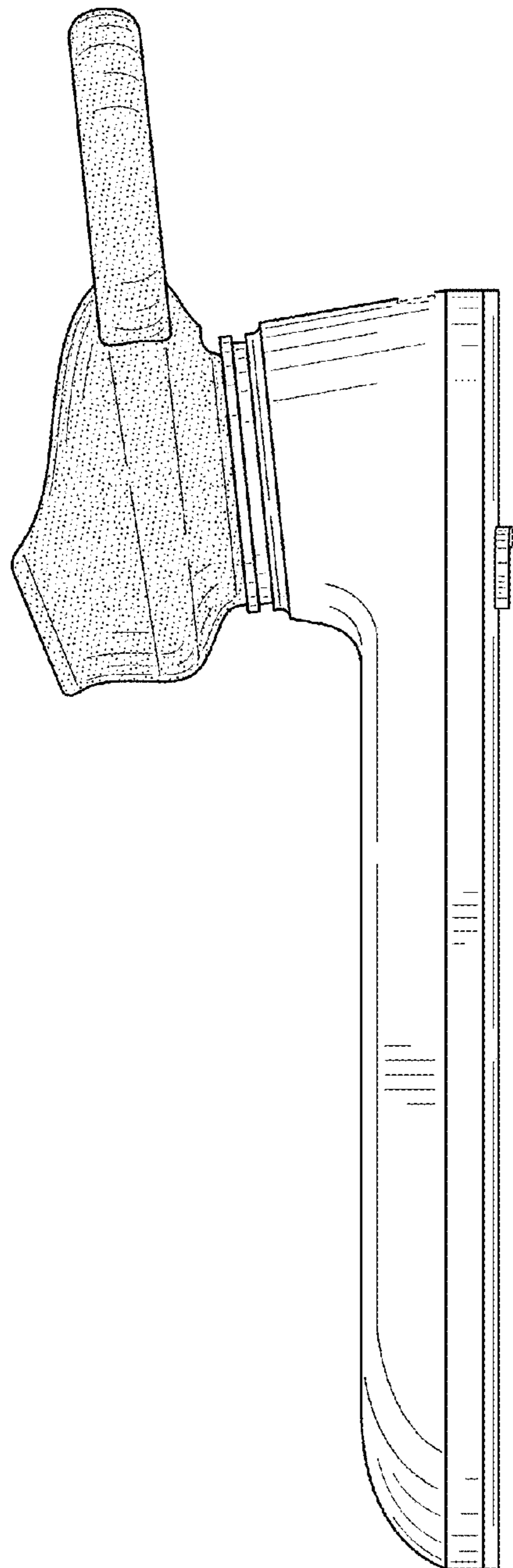


FIG. 4

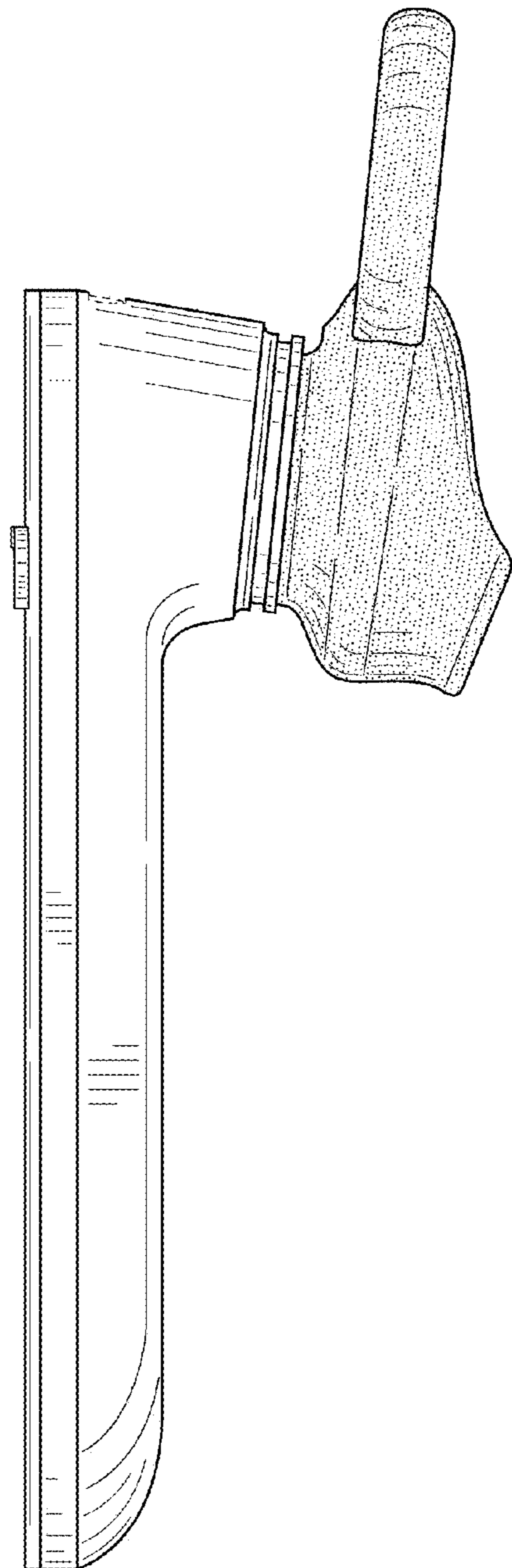


FIG. 5

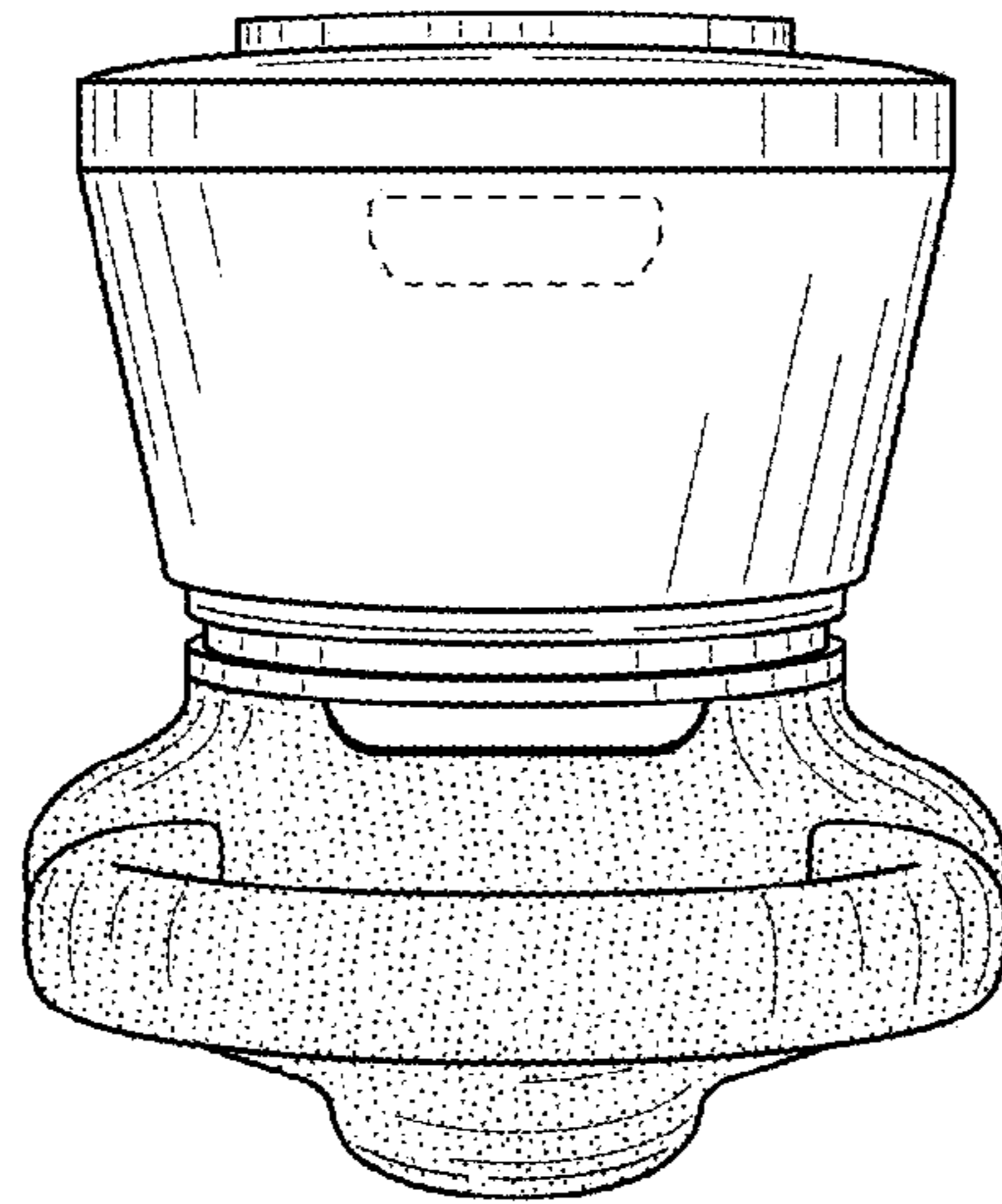


FIG. 6

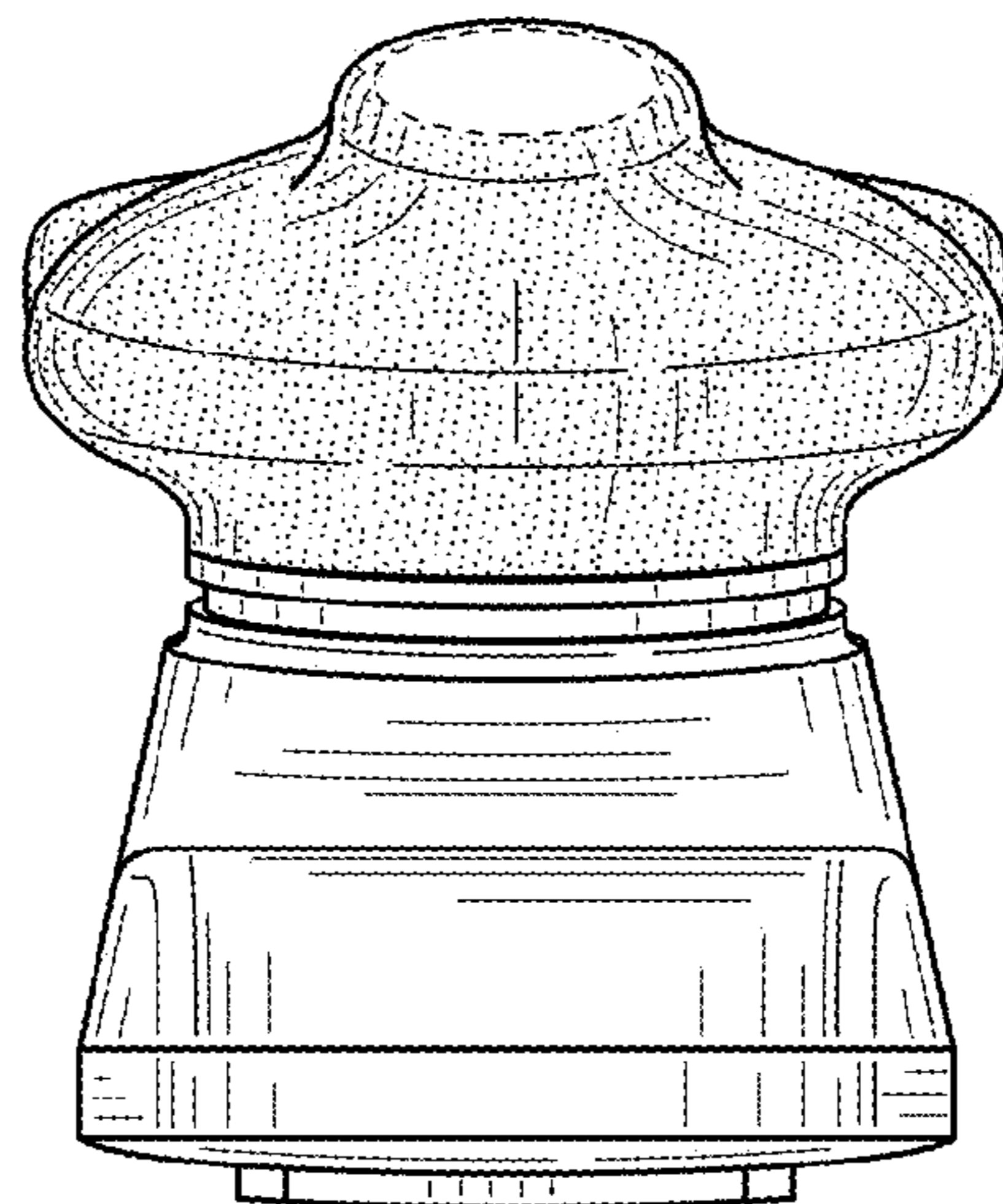


FIG. 7

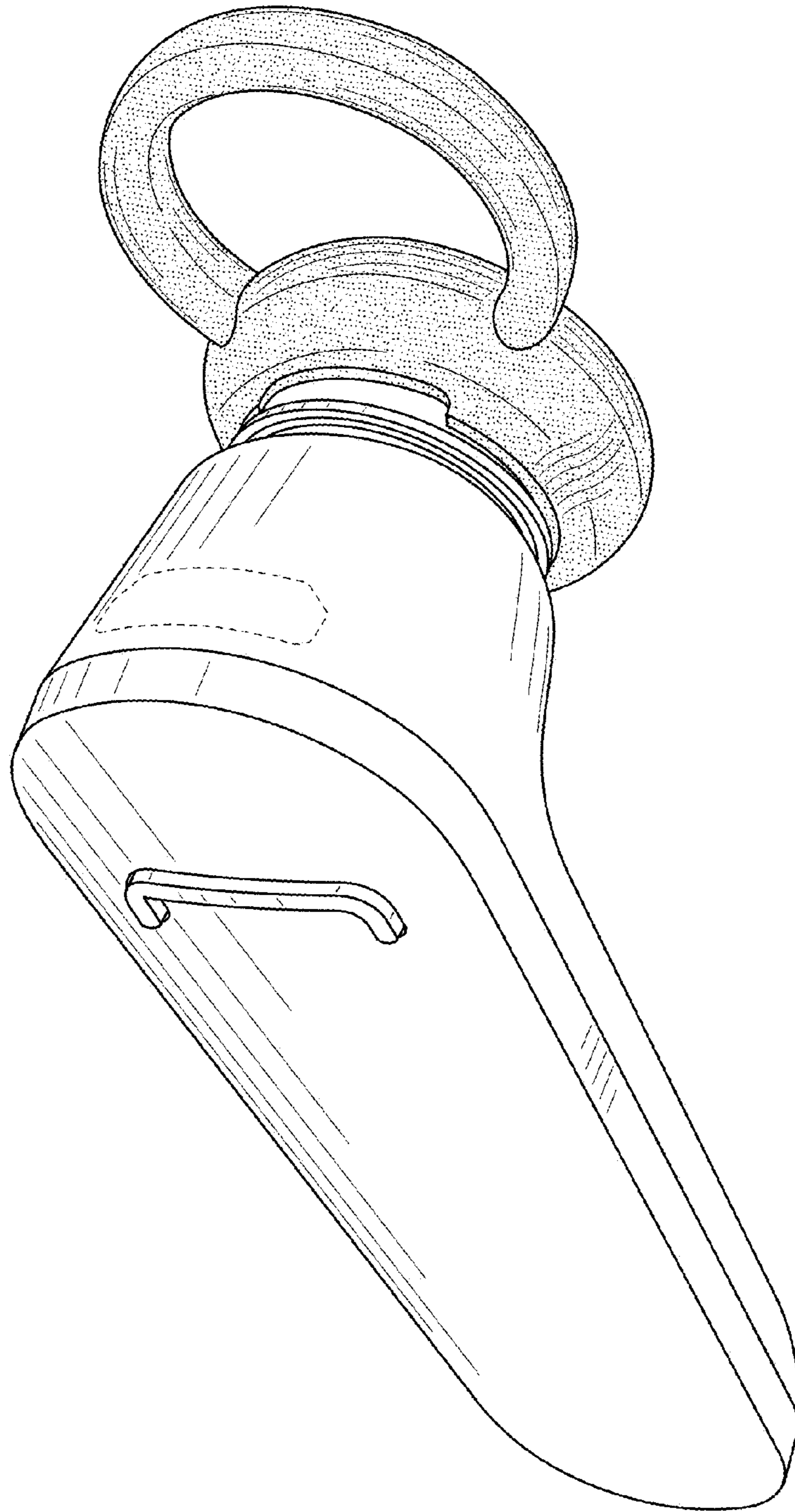


FIG. 8

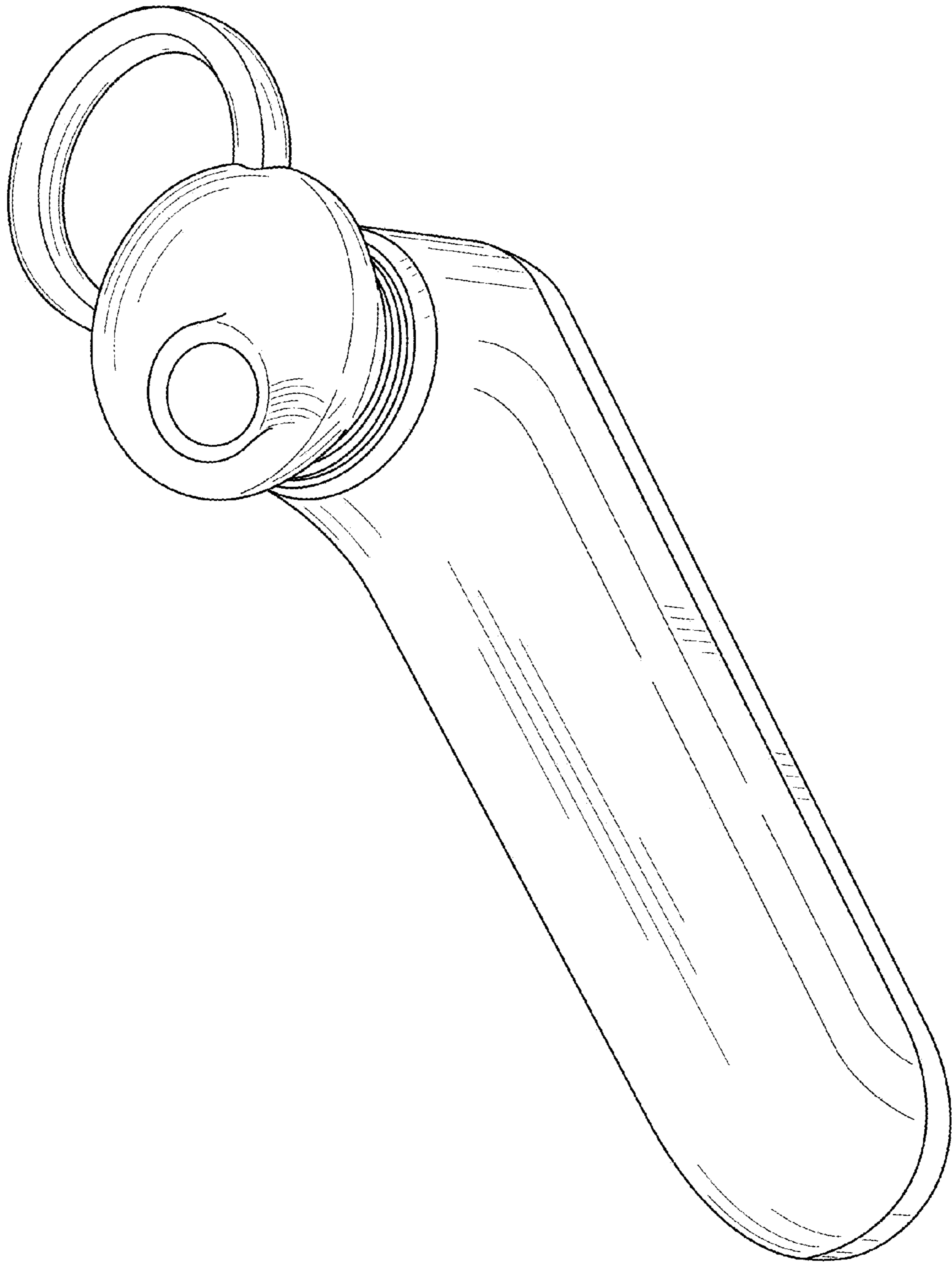


FIG. 9

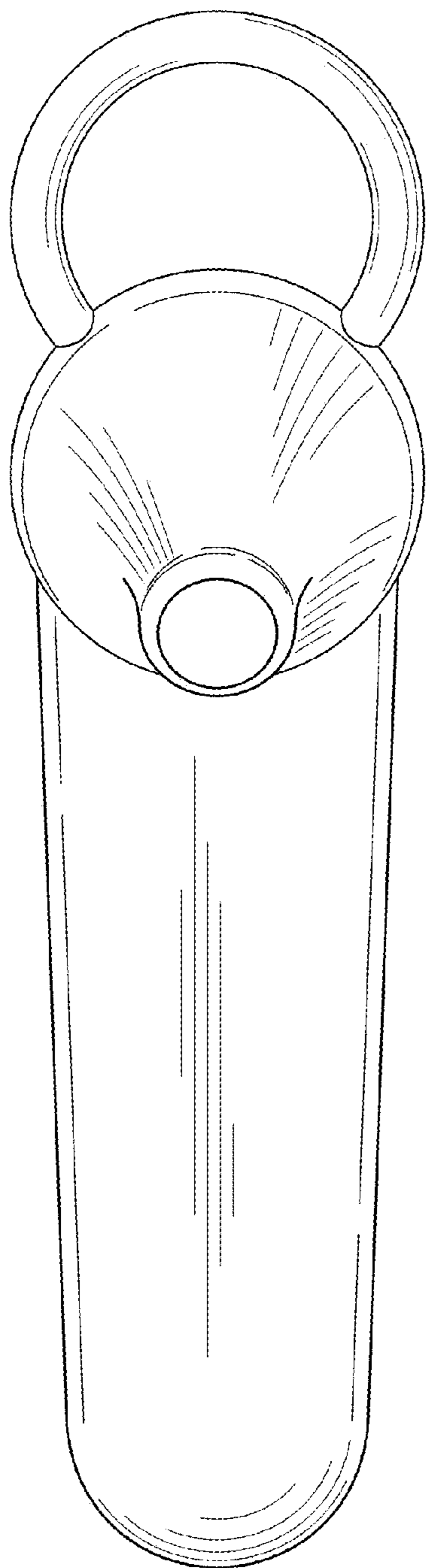


FIG. 10

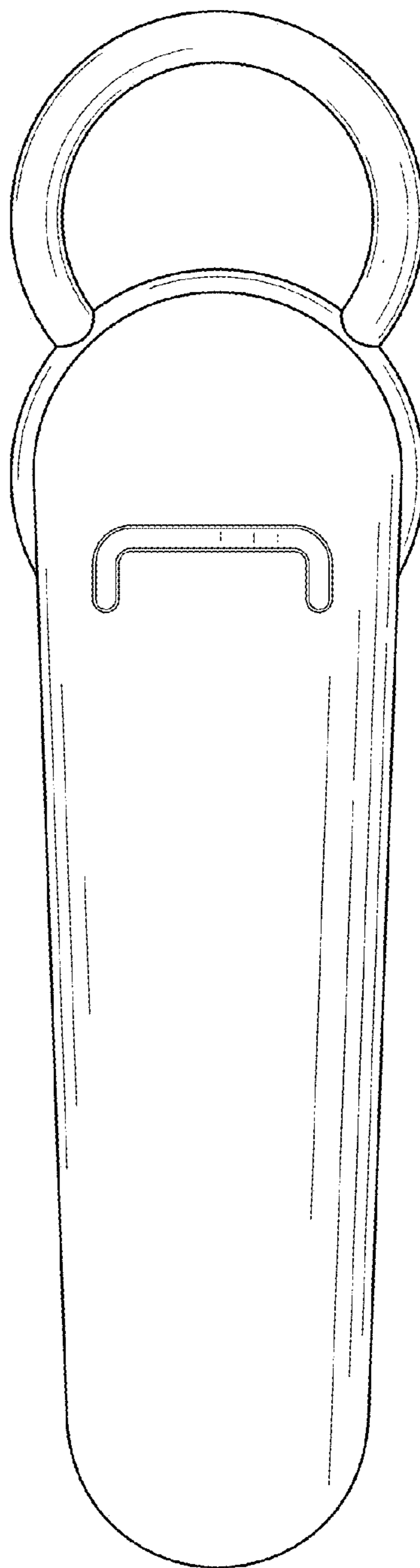


FIG. 11

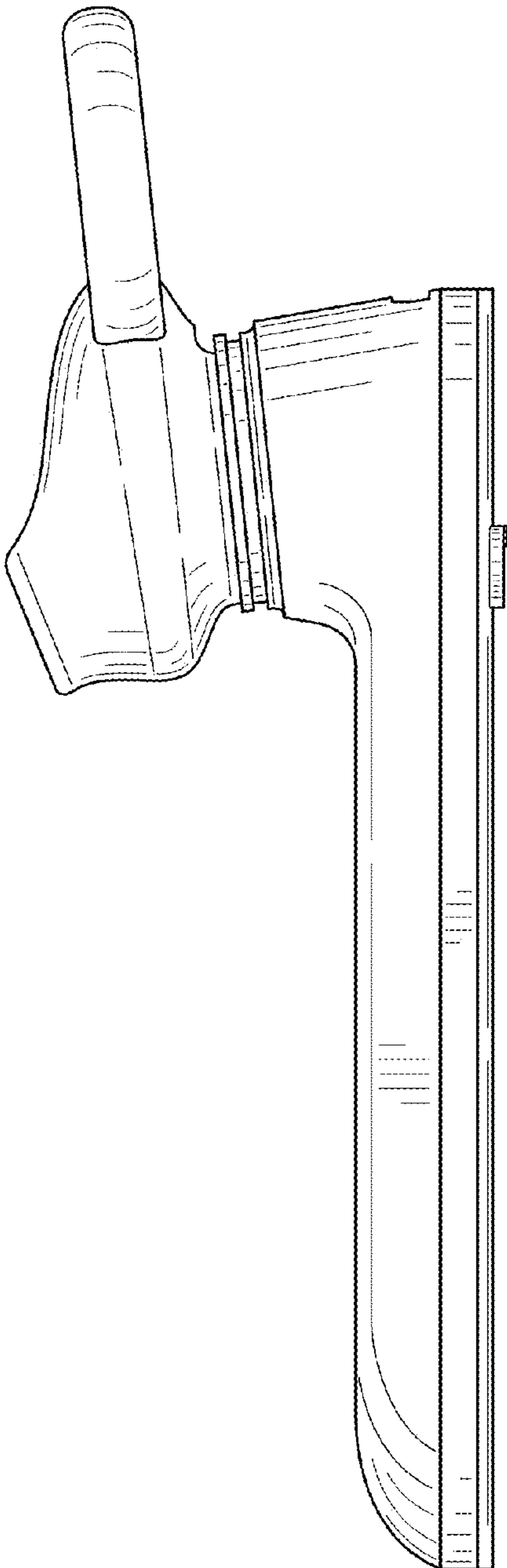


FIG. 12

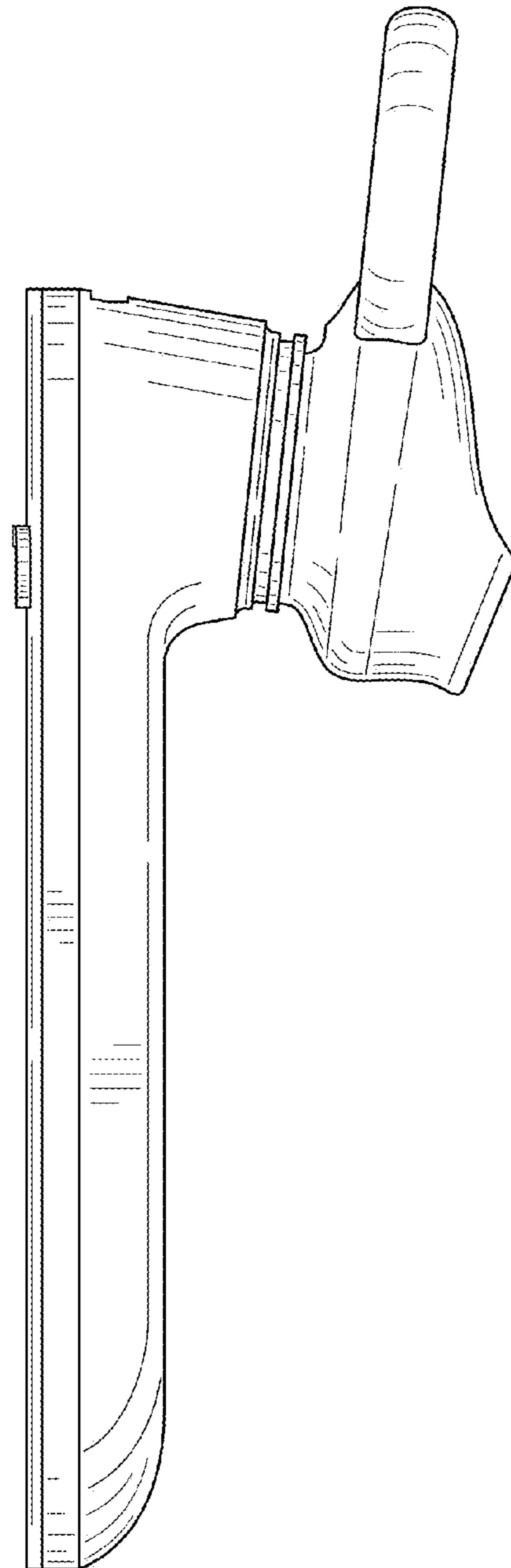


FIG. 13

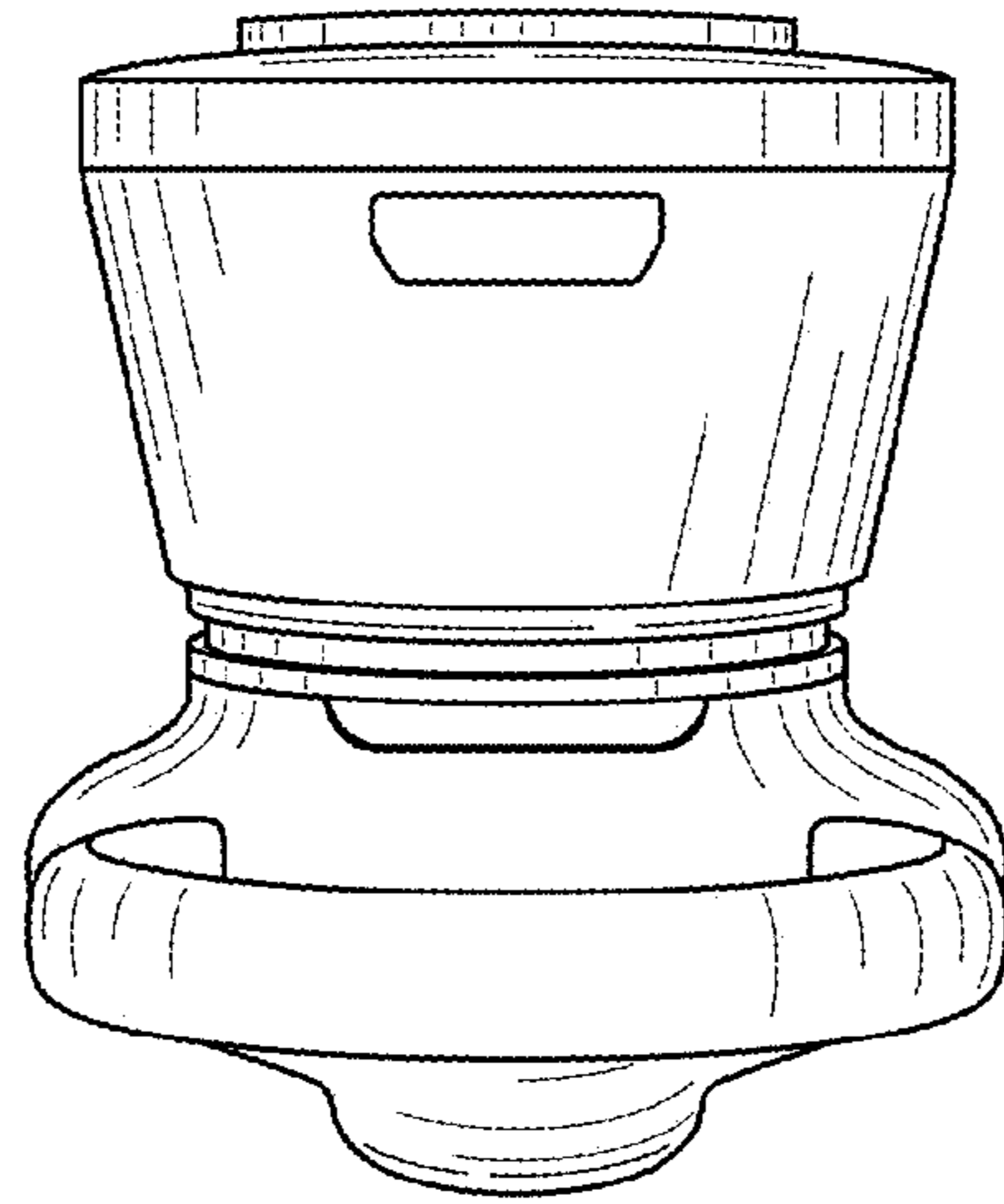


FIG. 14

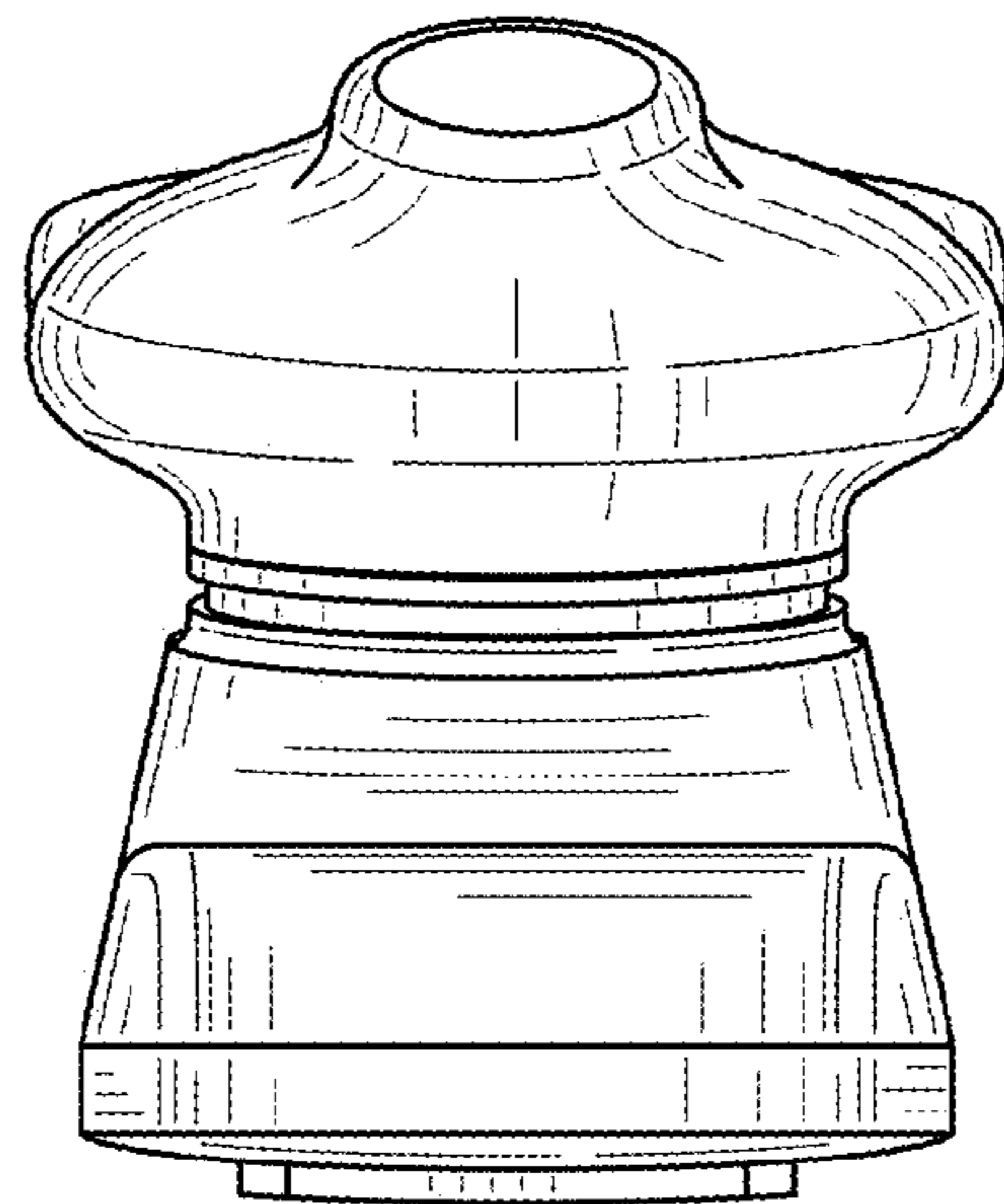


FIG. 15

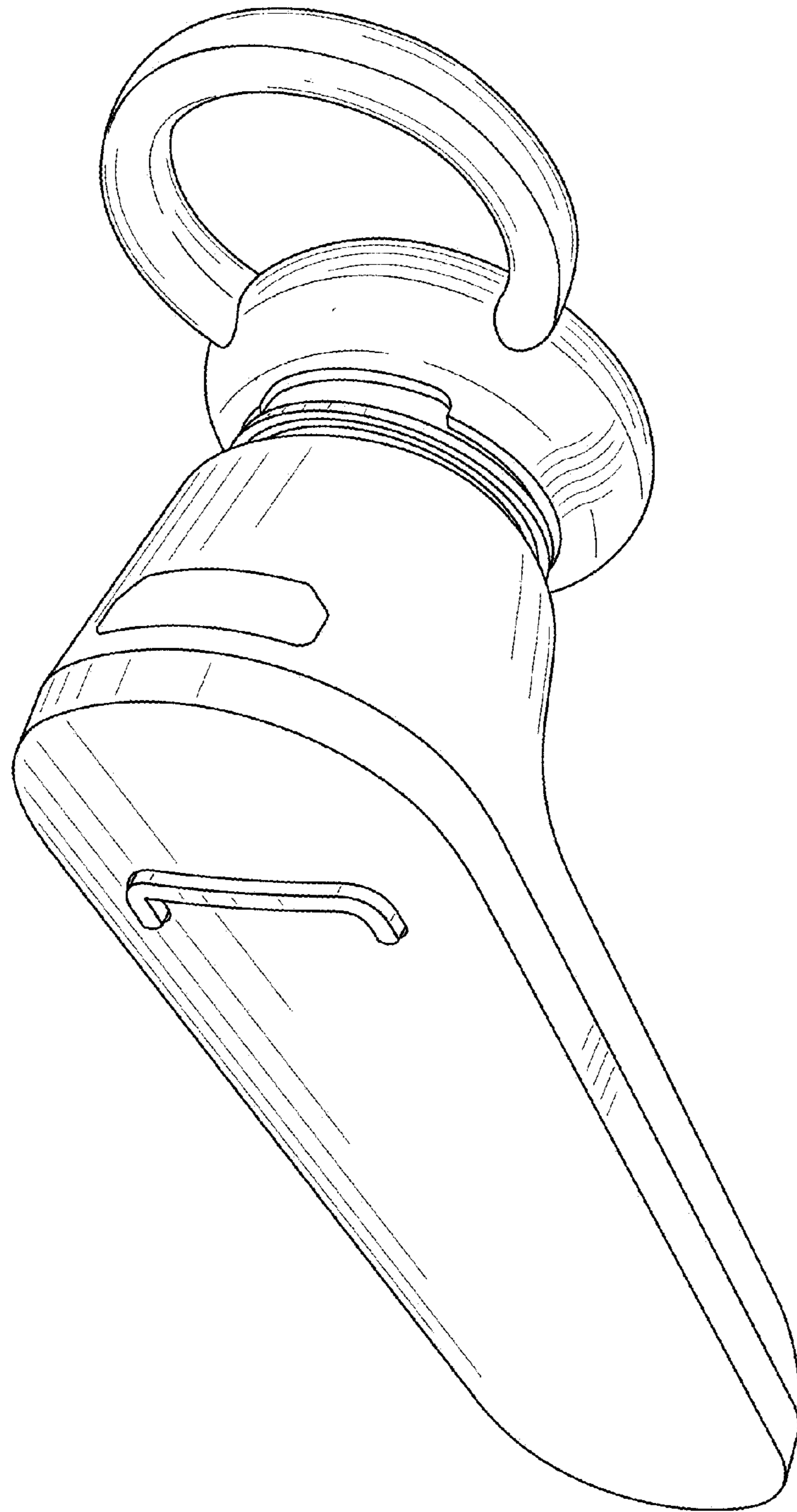


FIG. 16