



US00D732004S

(12) **United States Design Patent**  
**Fujioka**

(10) **Patent No.:** **US D732,004 S**  
(45) **Date of Patent:** **\*\* Jun. 16, 2015**

- (54) **SOUND SYSTEM TOWER**
- (71) Applicant: **Robb Fujioka**, Manhattan Beach, CA  
(US)
- (72) Inventor: **Robb Fujioka**, Manhattan Beach, CA  
(US)
- (\*\*) Term: **14 Years**
- (21) Appl. No.: **29/484,539**
- (22) Filed: **Mar. 11, 2014**
- (51) **LOC (10) Cl.** ..... **14-01**
- (52) **U.S. Cl.**  
USPC ..... **D14/209.1; D14/204**
- (58) **Field of Classification Search**  
USPC ..... D14/204, 209.1, 211, 217, 221, 224,  
D14/224.1, 225, 227, 228; 181/143, 147,  
181/148, 150, 153, 157, 198, 199, 166,  
181/144; 381/300–303, 306, 332, 333, 336,  
381/345, 361–364, 370, 386–388; 211/163,  
211/59.2, 207; 312/114, 116, 128, 140,  
312/135; 108/59, 106–116  
CPC ..... H04R 9/06; H04R 1/24; H04R 11/02;  
H04R 2400/00  
See application file for complete search history.

5,802,190 A *	9/1998	Ferren	.....	381/182
6,189,710 B1 *	2/2001	Mason	.....	211/131.1
D468,147 S *	1/2003	Werner	.....	D6/629
7,185,769 B2 *	3/2007	Glass	.....	211/40
7,319,767 B2 *	1/2008	Fidlin et al.	.....	381/182
D683,330 S *	5/2013	Ryu et al.	.....	D14/209.1
D687,812 S *	8/2013	Lee	.....	D14/211
D689,715 S *	9/2013	Wong	.....	D6/675.1
D700,464 S *	3/2014	Brevda et al.	.....	D6/675
D712,929 S *	9/2014	Akana et al.	.....	D14/496

\* cited by examiner

*Primary Examiner* — Prabhakar Deshmukh  
(74) *Attorney, Agent, or Firm* — Steptoe & Johnson LLP

- (56) **References Cited**  
U.S. PATENT DOCUMENTS  
4,553,628 A \* 11/1985 Nakamura ..... 181/145  
5,595,312 A \* 1/1997 Dardashti ..... 211/188

(57) **CLAIM**  
The ornamental design for an sound system tower, as shown and described.

**DESCRIPTION**  
FIG. 1 is a top, front, left side perspective view of a sound system tower showing my new design;  
FIG. 2 is front elevation view (the rear elevation is a mirror image);  
FIG. 3 is a right side elevation view (left side is a mirror image);  
FIG. 4 is a top plan view; and,  
FIG. 5 is a bottom plan view.  
The broken lines in FIG. 1 illustrate environment and forms no part of the claimed design.

**1 Claim, 3 Drawing Sheets**

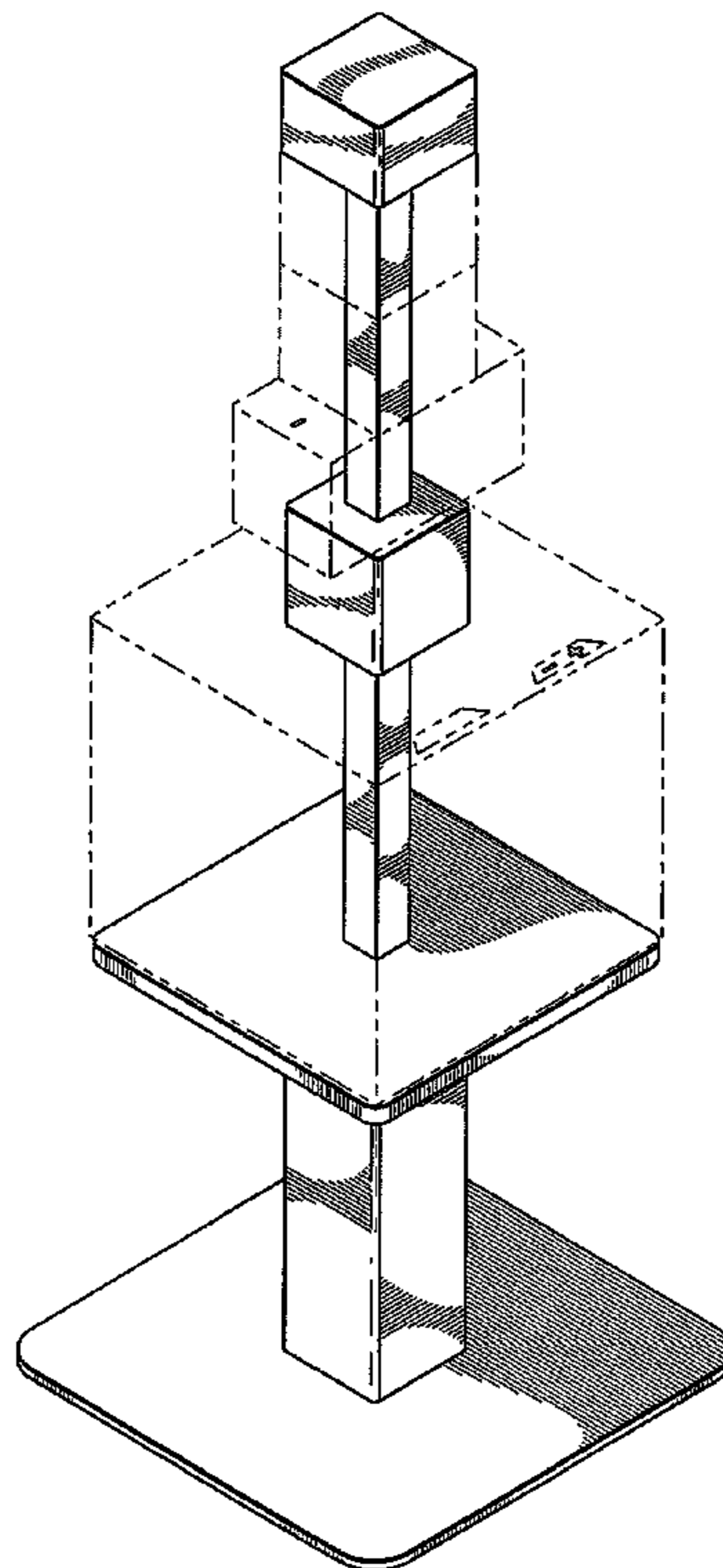
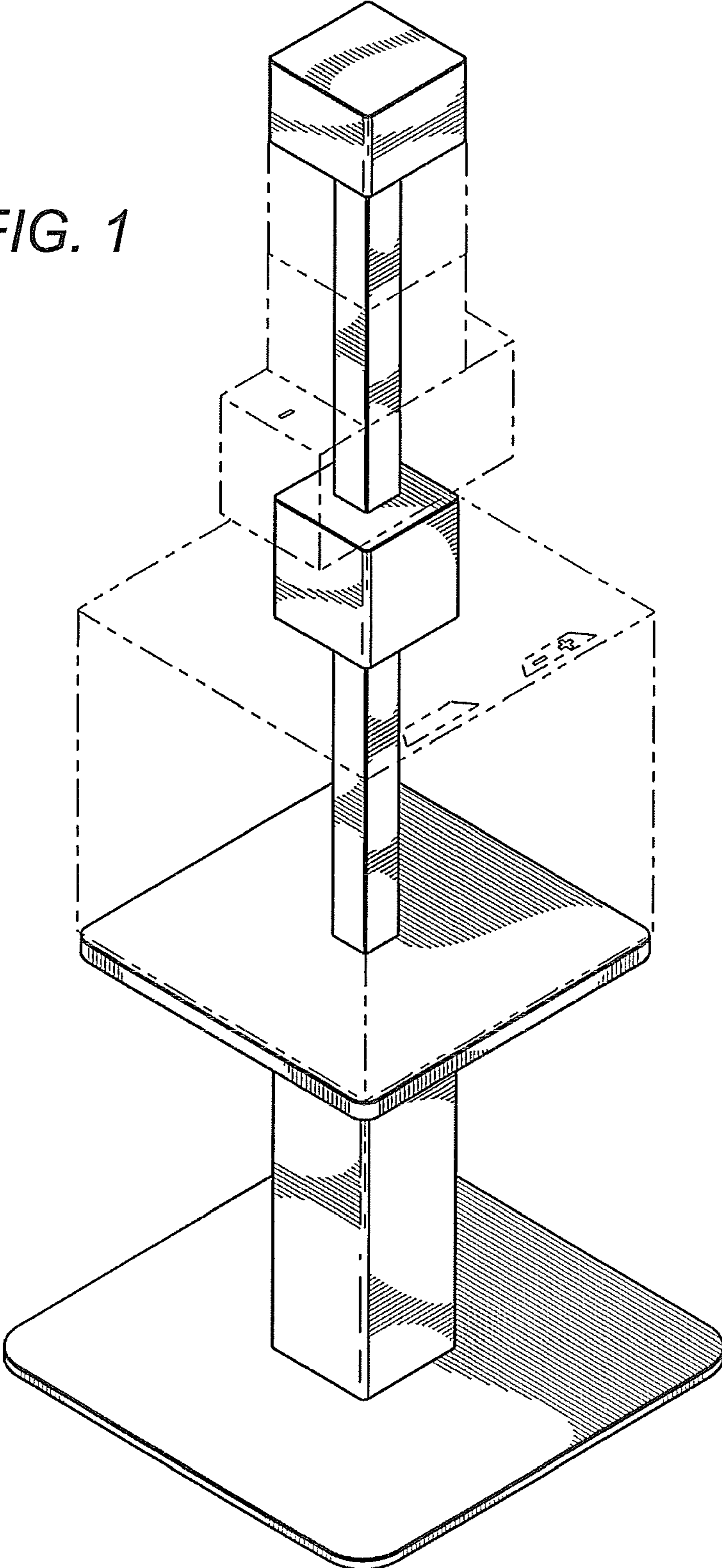


FIG. 1



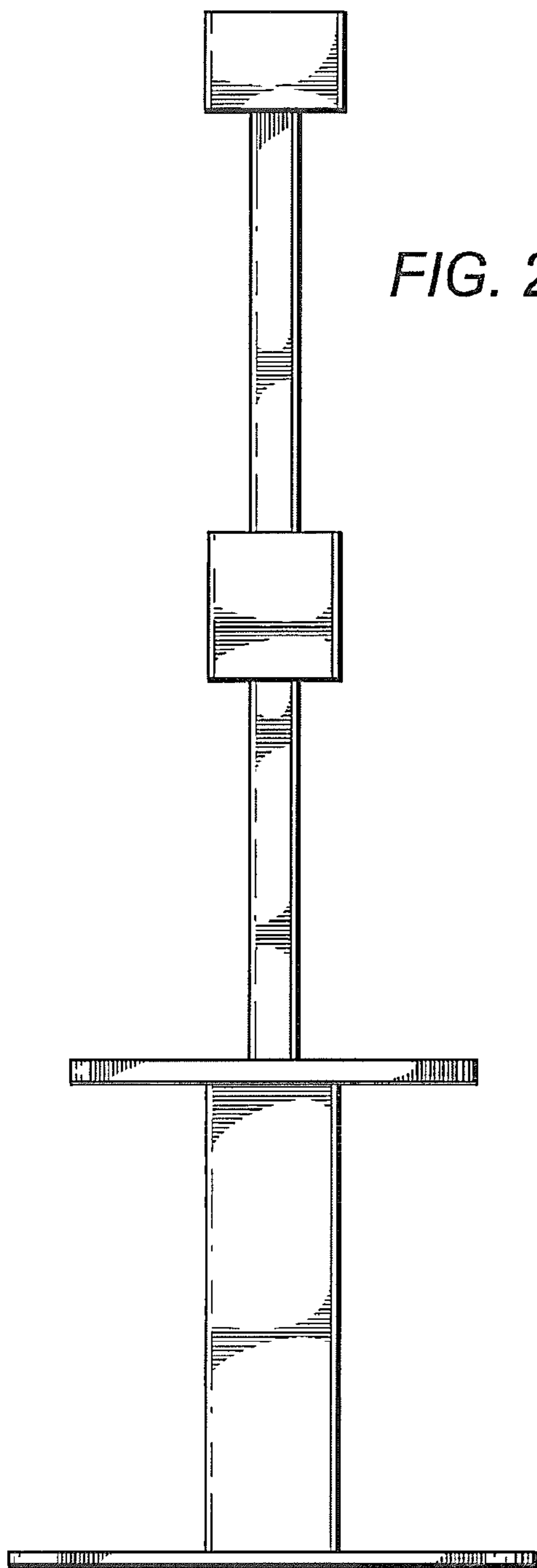


FIG. 2

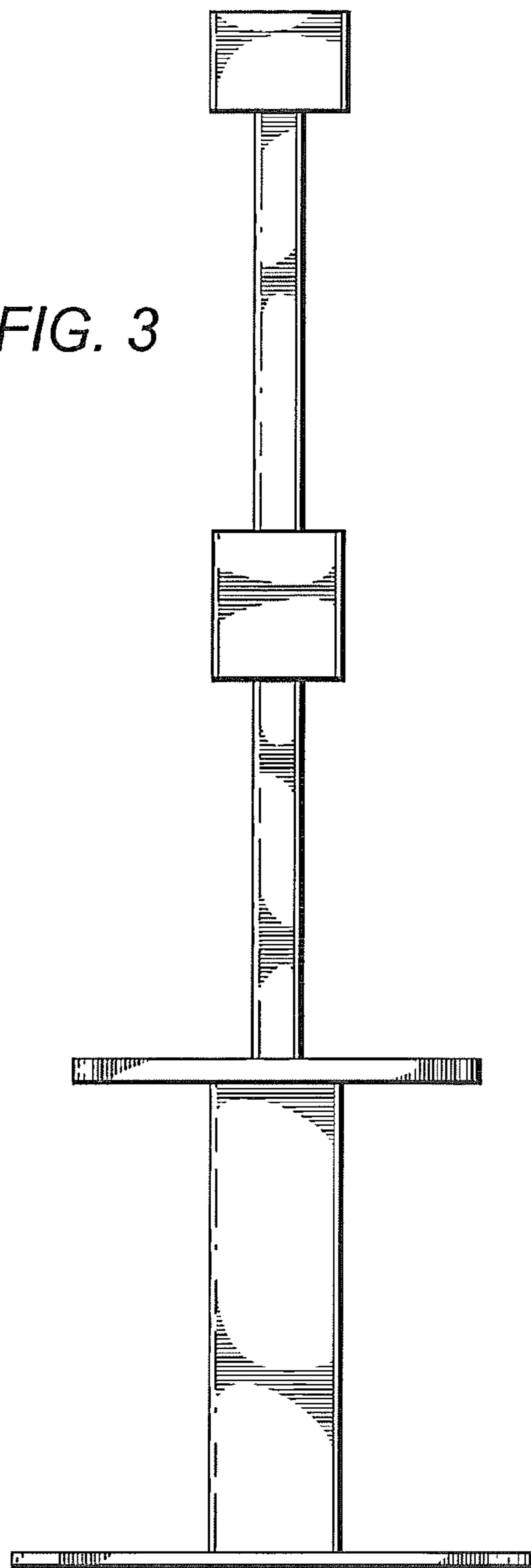
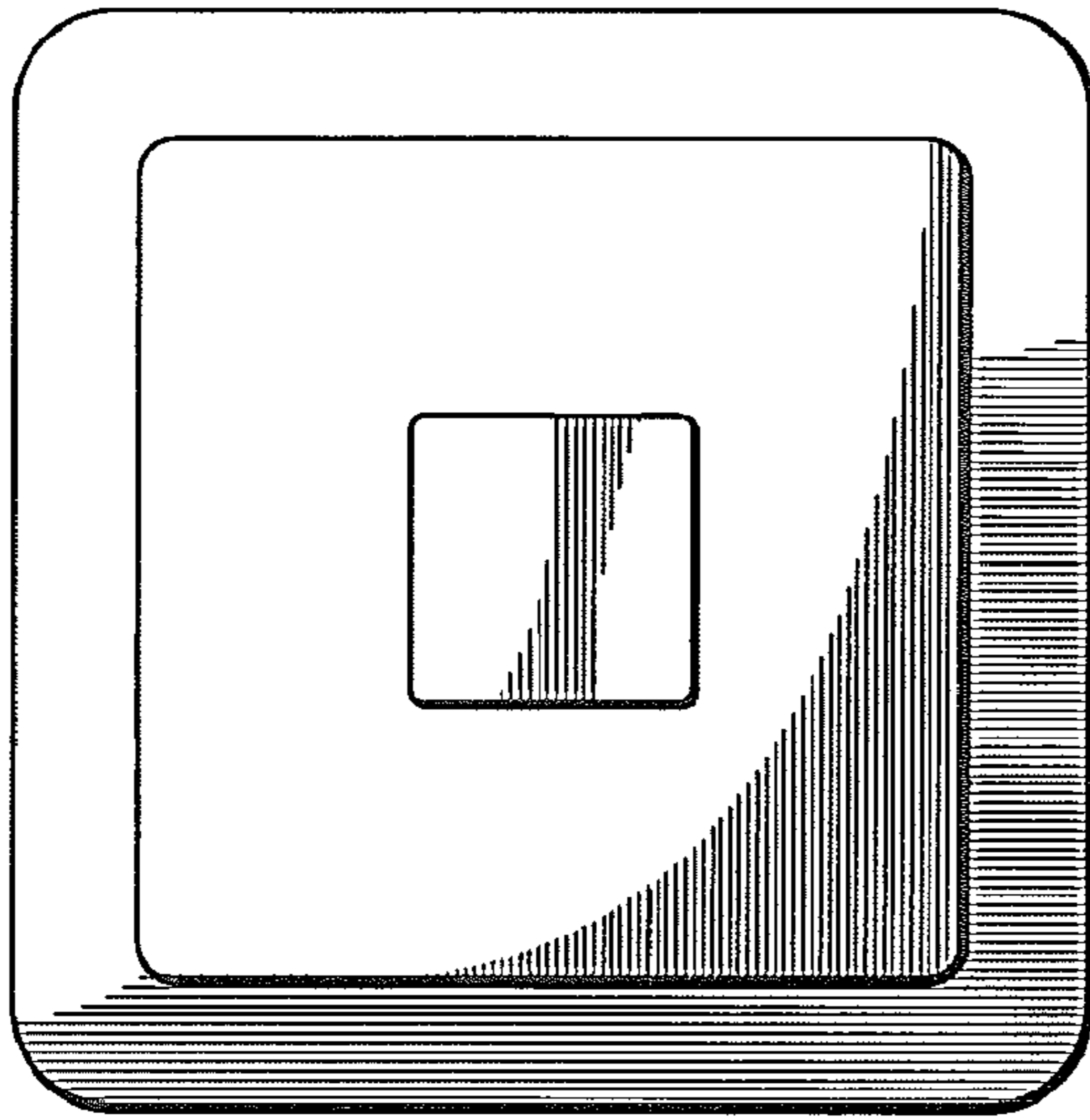


FIG. 3



*FIG. 4*

*FIG. 5*

