



US00D732003S

(12) **United States Design Patent**  
**Kim et al.**

(10) **Patent No.:** **US D732,003 S**  
(45) **Date of Patent:** **\*\* Jun. 16, 2015**

(54) **SPEAKER**

(71) Applicant: **Samsung Electronics Co., Ltd.**,  
Suwon-si (KR)  
(72) Inventors: **KiSoo Kim**, Gunpo-si (KR); **Sangmin**  
**Hyun**, Seoul (KR)  
(73) Assignee: **Samsung Electronics Co., Ltd.**,  
Suwon-si (KR)  
(\*\*) Term: **14 Years**

(21) Appl. No.: **29/486,097**

(22) Filed: **Mar. 26, 2014**

(30) **Foreign Application Priority Data**

Sep. 27, 2013 (KR) ..... 30-2013-0049264

(51) **LOC (10) Cl.** ..... **14-01**

(52) **U.S. Cl.**  
USPC ..... **D14/207**

(58) **Field of Classification Search**  
USPC ..... D14/204, 207, 209.1, 210–217, 168,  
D14/172, 485; 181/143, 144, 147, 148,  
181/150–153, 157, 198, 199; 381/300–303,  
381/306, 332, 333, 336, 346, 361–364,  
381/386–388; D3/201, 218; D6/401, 632;  
345/158; 361/379.04, 679.01;  
273/148 B  
CPC ..... H04R 1/02; H04R 1/026; H04R 3/00;  
H04R 5/00; H04R 5/02; H04R 5/023; H04R  
9/06; H04R 9/063; H04R 11/02; H04R 27/00;  
H04S 5/00; H04S 7/00

See application file for complete search history.

(56) **References Cited**

U.S. PATENT DOCUMENTS

2,828,090	A *	3/1958	Steinback	.....	242/118.7
4,924,964	A *	5/1990	Olsen	.....	181/151
5,123,500	A *	6/1992	Malhoit et al.	.....	181/144
5,444,194	A *	8/1995	Reinke	.....	181/150
6,056,083	A *	5/2000	Daniell	.....	181/199
D442,161	S *	5/2001	Altamura	.....	D14/207
D460,064	S *	7/2002	Solland	.....	D14/207
D491,918	S *	6/2004	Solland	.....	D14/207
D589,029	S *	3/2009	Lee	.....	D14/207
D593,068	S *	5/2009	Kim et al.	.....	D14/207
D595,263	S *	6/2009	Jiang	.....	D14/207

OTHER PUBLICATIONS

US D593,029, 5/2009, Sugawara et al. (withdrawn).\*

\* cited by examiner

*Primary Examiner* — Prabhakar Deshmukh

(74) *Attorney, Agent, or Firm* — NSIP Law

(57) **CLAIM**

We claim the ornamental design for a speaker, as shown and described.

**DESCRIPTION**

FIG. 1 is a front perspective view of a speaker showing our new design;  
FIG. 2 is a front view thereof;  
FIG. 3 is a rear view thereof;  
FIG. 4 is a left-side view thereof;  
FIG. 5 is a right-side view thereof;  
FIG. 6 is a top view thereof;  
FIG. 7 is a bottom view thereof; and,  
FIG. 8 is an exploded front perspective view thereof.  
The broken lines in the figures show portions of the speaker which form no part of the claimed design.

**1 Claim, 8 Drawing Sheets**

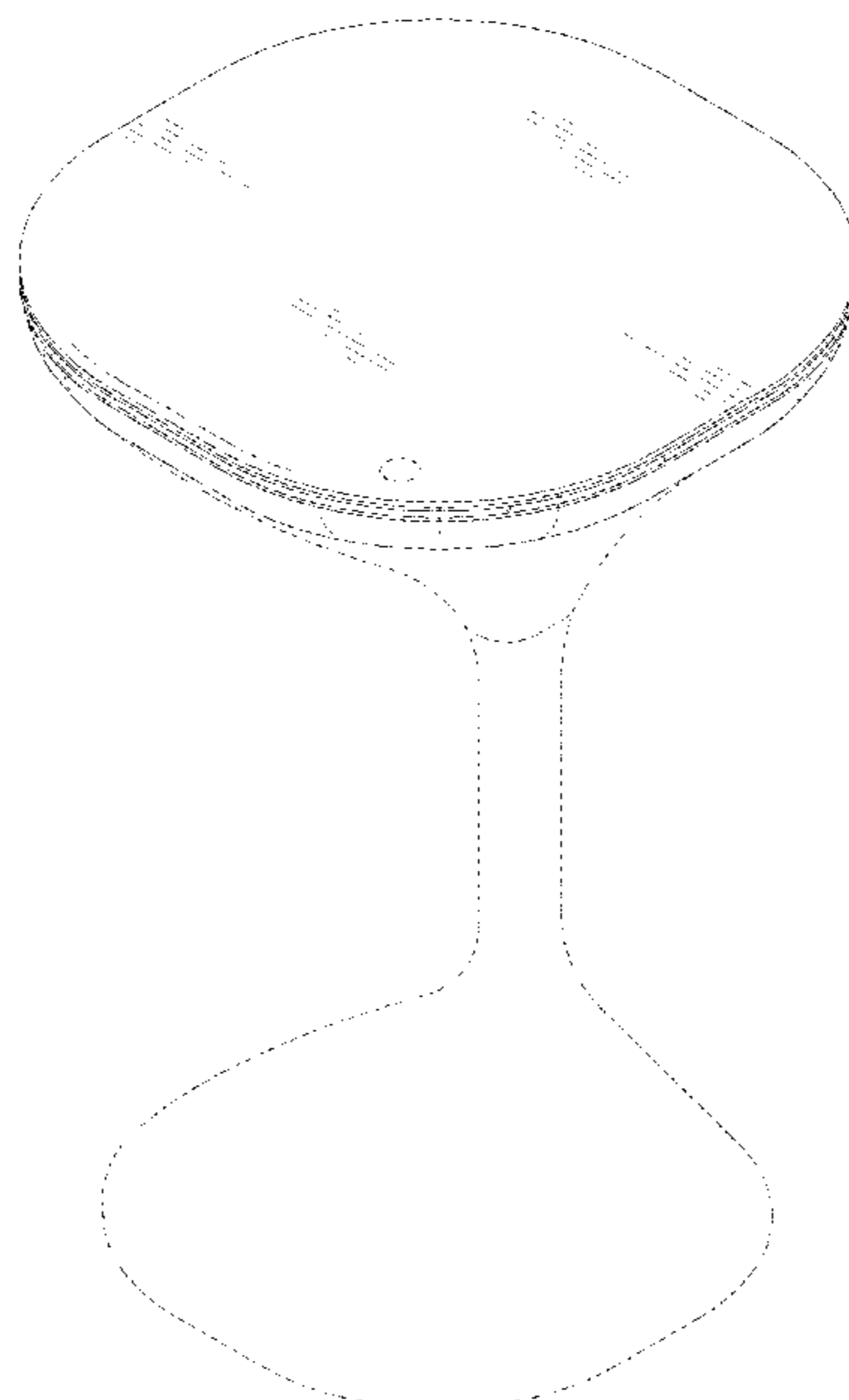


Fig. 1

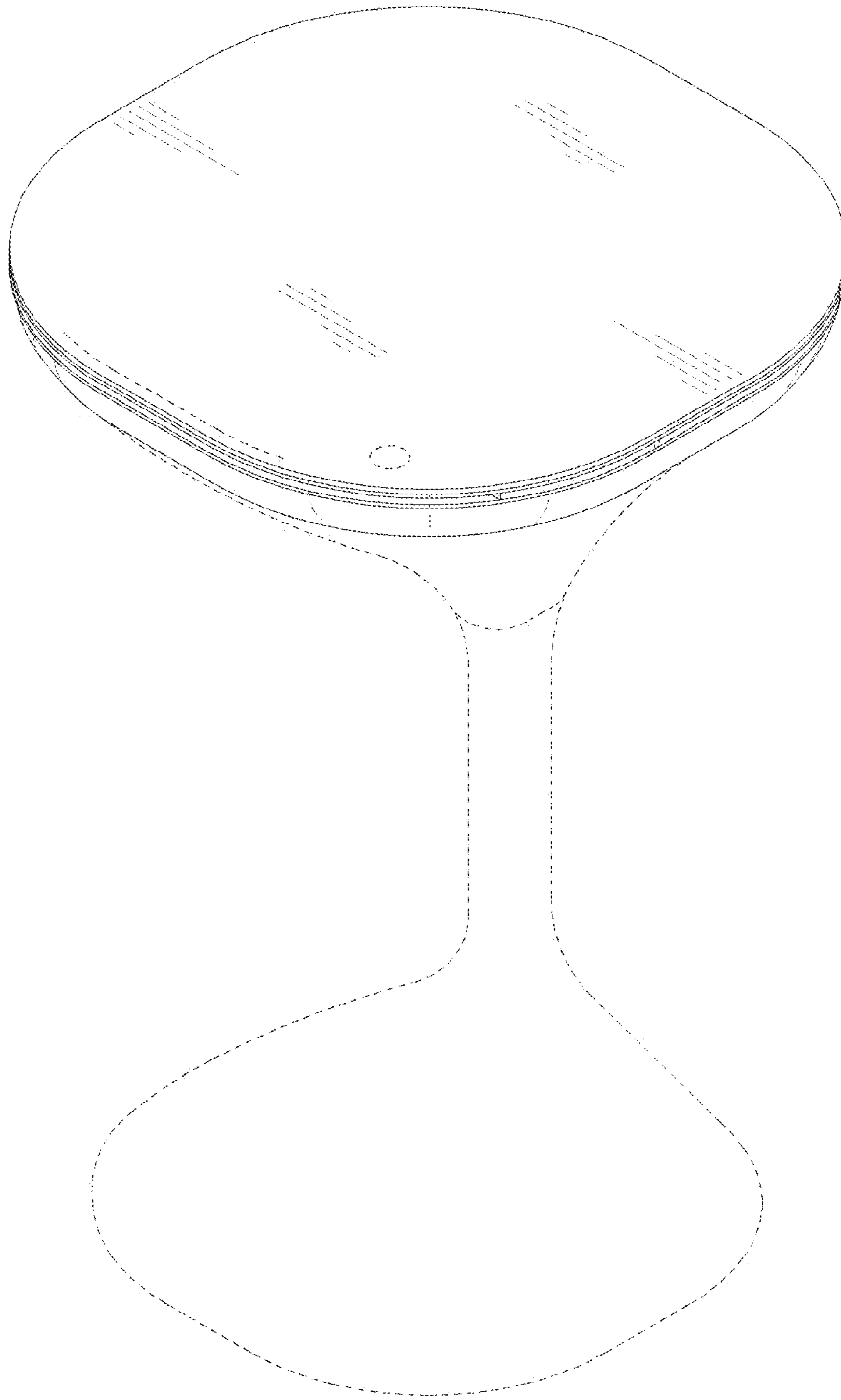


Fig. 2

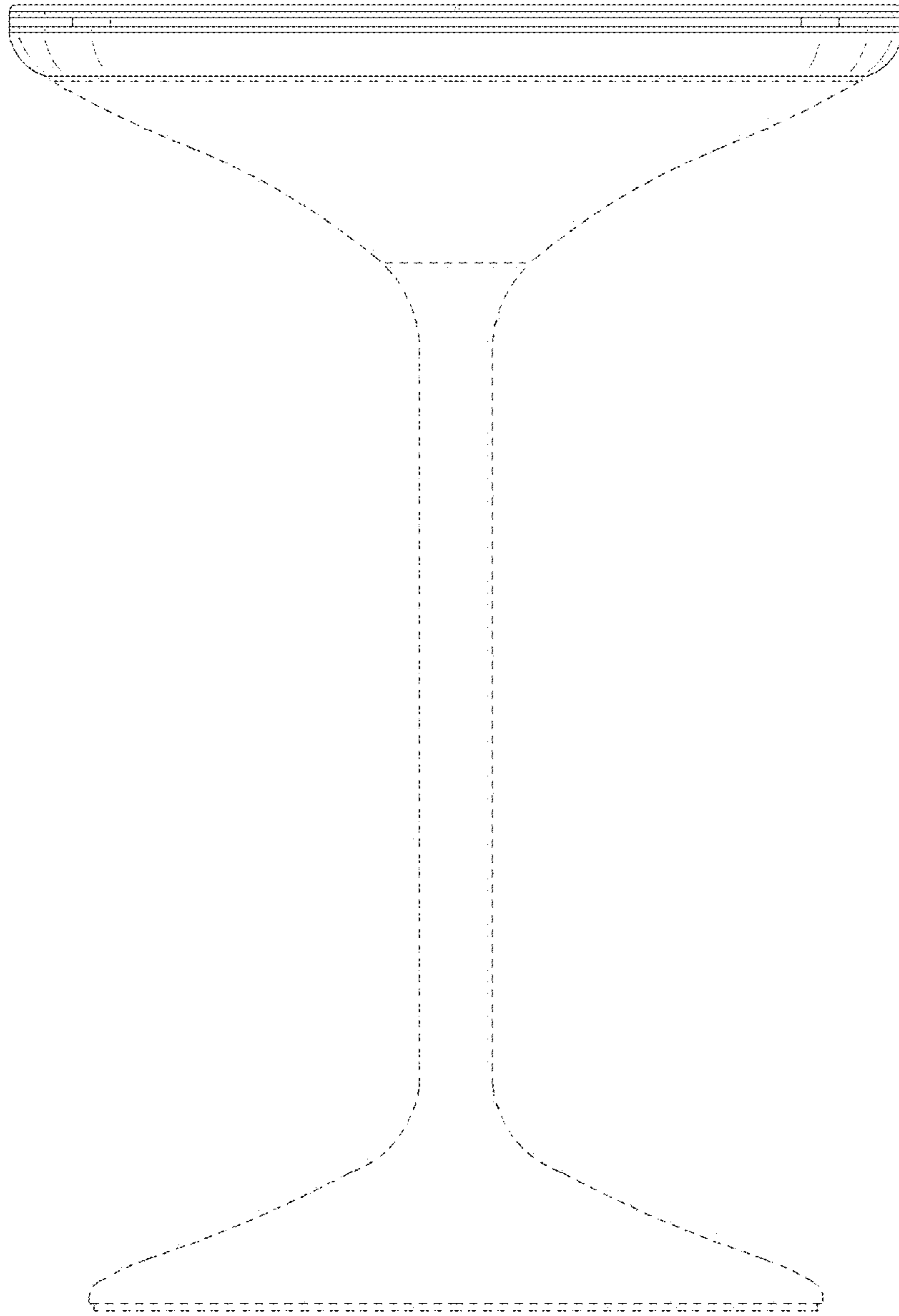


Fig. 3

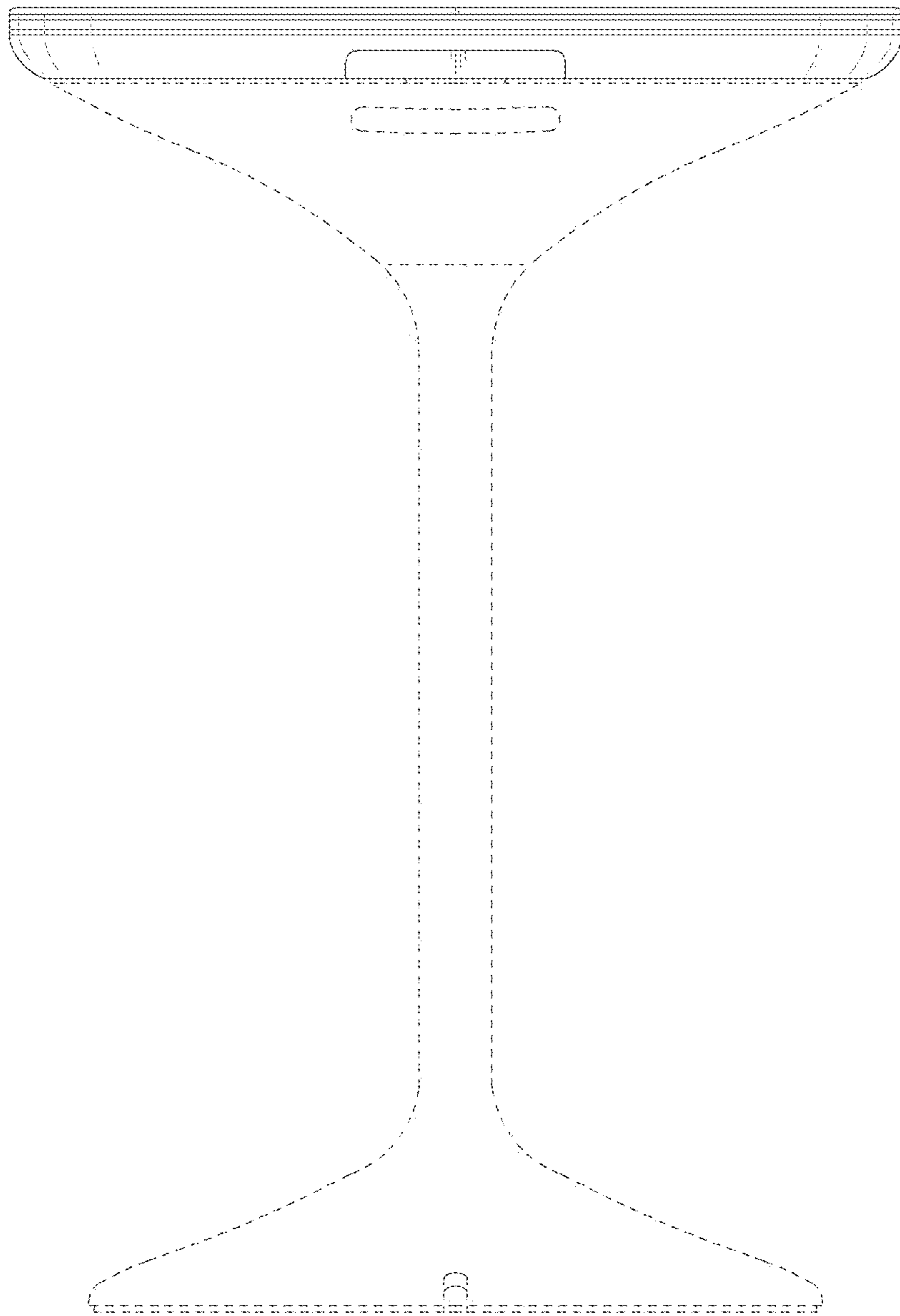


Fig. 4

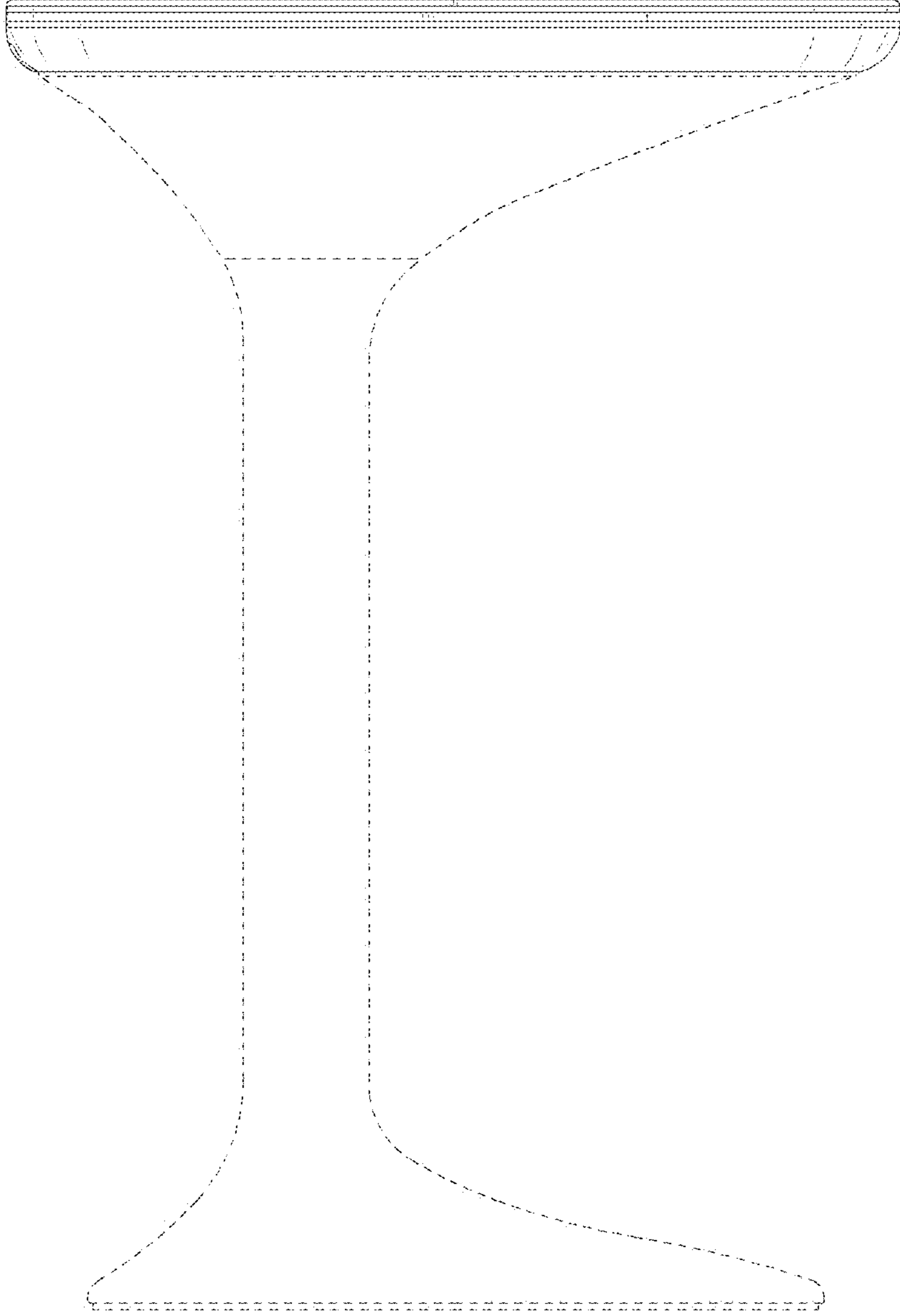


Fig. 5

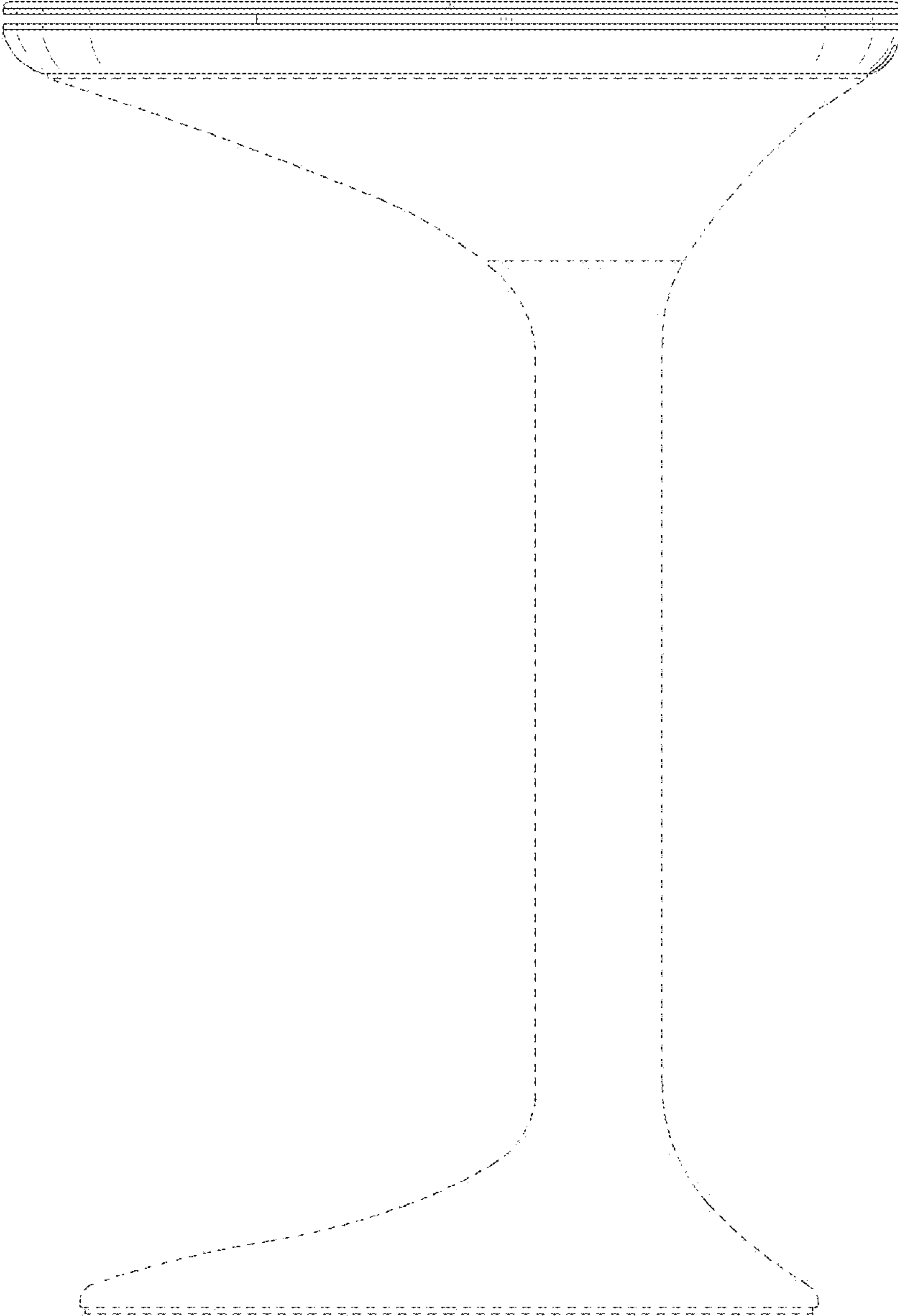


Fig. 6

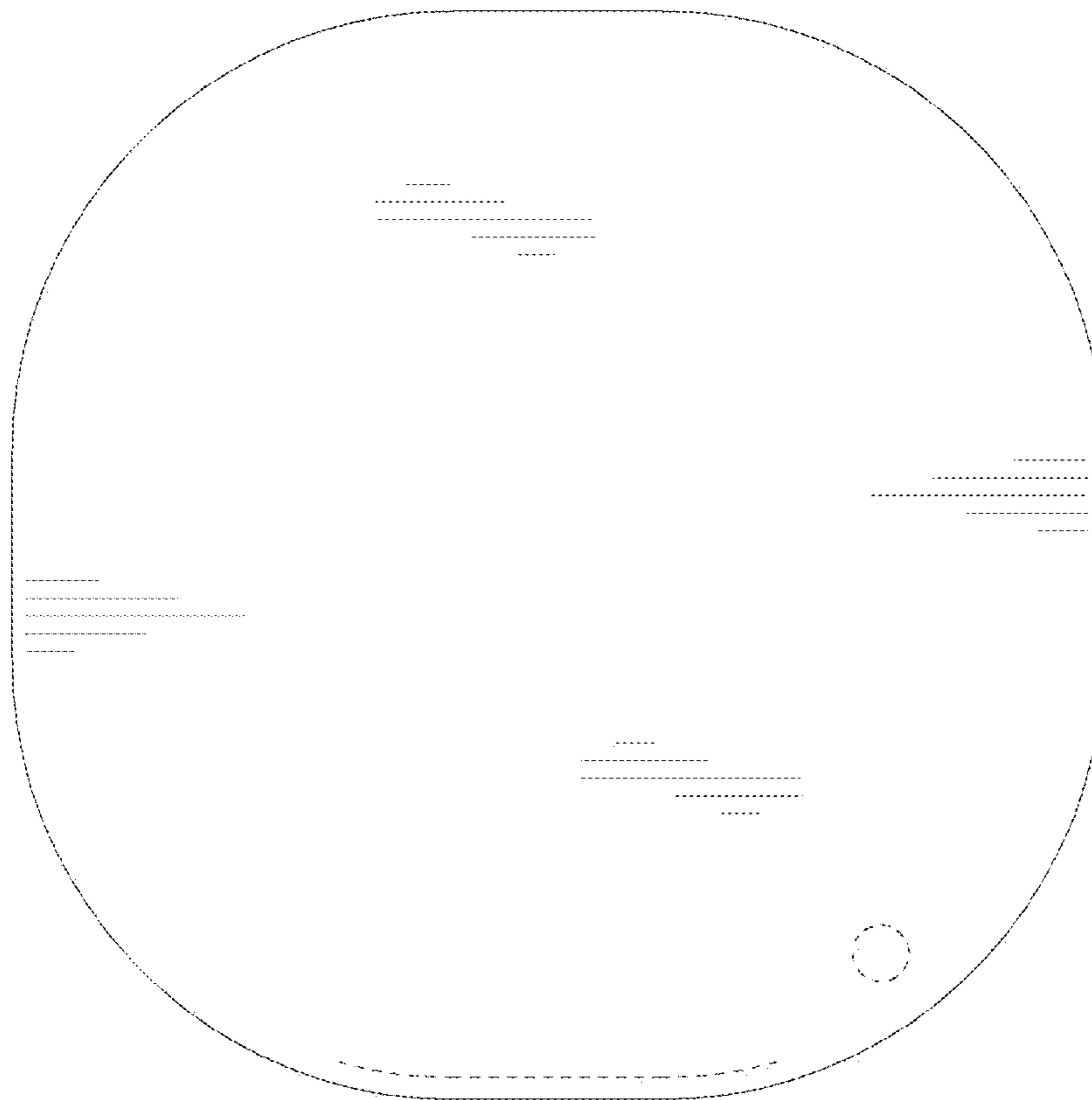


Fig. 7

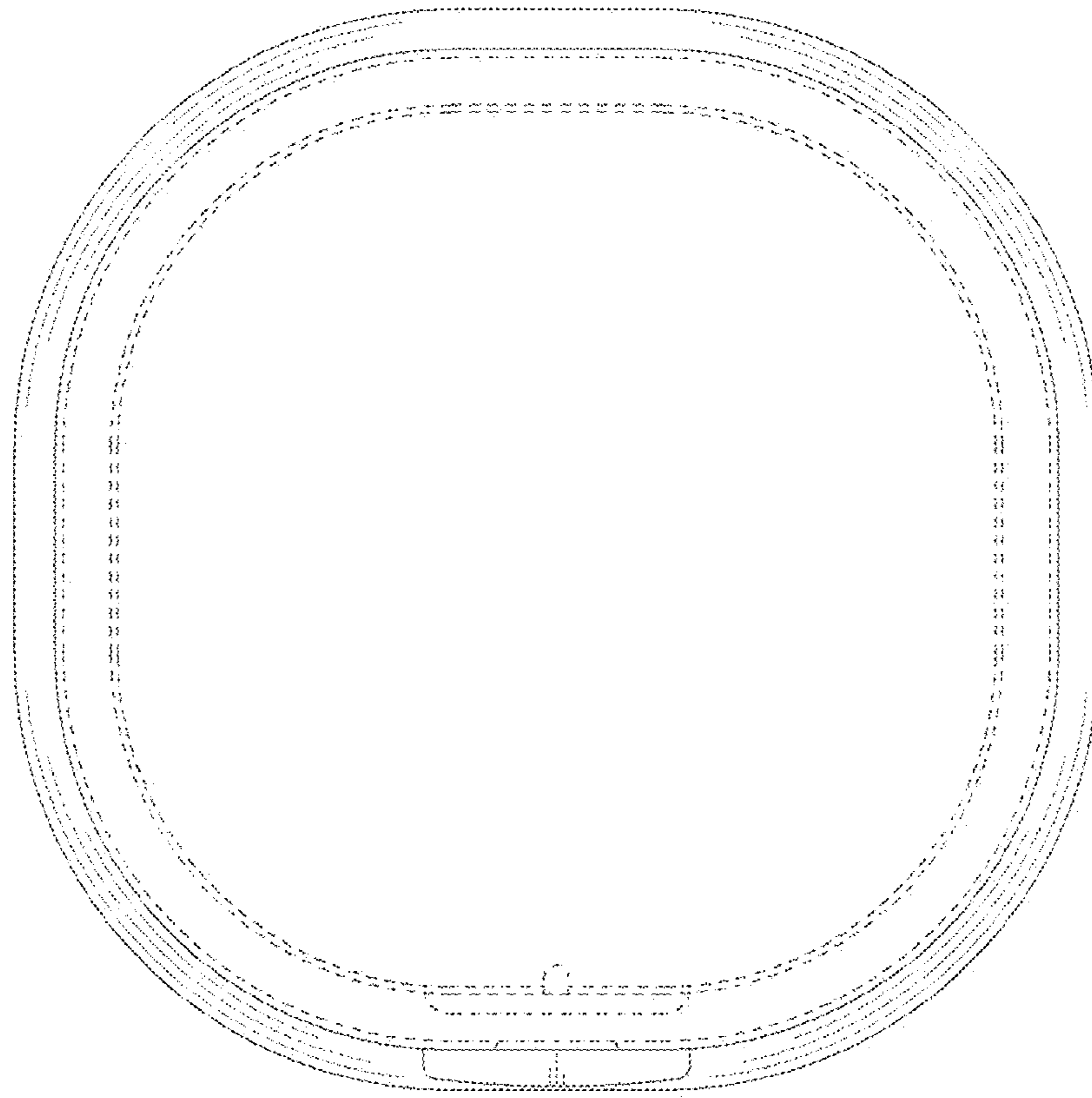




Fig. 8

