



US00D732001S

(12) **United States Design Patent**
Licht et al.

(10) **Patent No.:** **US D732,001 S**
(45) **Date of Patent:** **** Jun. 16, 2015**

(54) **HEADSET**

(71) Applicant: **Sennheiser Communications A/S**,
Ballerup (DK)

(72) Inventors: **Dirk Licht**, München (DE); **Oliver Berger**, Zürich (CH); **Iwan Hänggi**,
Nunningen (CH); **Tom Allnutt**, Oslo
(NO); **Marcus Arnold**, München (DE);
Efrat Friedland, München (DE)

(73) Assignee: **SENNHEISER COMMUNICATIONS**
A/S, Ballerup (DK)

(**) Term: **14 Years**

(21) Appl. No.: **29/491,229**

(22) Filed: **May 19, 2014**

(30) **Foreign Application Priority Data**

Nov. 19, 2013 (EM) 002348227

(51) **LOC (10) Cl.** **14-01**

(52) **U.S. Cl.**
USPC **D14/205**

(58) **Field of Classification Search**
USPC D14/205; 181/129, 130, 135; 379/430,
379/431; 381/380, 381, 374, 379, 371, 378;
455/90.3, 575.1

CPC H04R 1/1066
See application file for complete search history.

(56) **References Cited**

U.S. PATENT DOCUMENTS

3,579,640 A * 5/1971 Hutchinson 2/209
D246,242 S * 11/1977 Bellini D14/205
D246,259 S * 11/1977 Nishimura et al. D14/205
D254,183 S * 2/1980 Doodson D14/205

4,471,496 A * 9/1984 Gardner et al. 2/209
D299,337 S * 1/1989 Wiegel D14/206
5,018,599 A * 5/1991 Dohi et al. 181/129
D317,767 S * 6/1991 Banks D14/205
D376,598 S * 12/1996 Hayashi D14/206
5,862,241 A * 1/1999 Nelson 381/379
D409,197 S * 5/1999 Nakamura D14/205
D410,466 S * 6/1999 Mouri D14/205
6,081,604 A * 6/2000 Hikichi et al. 381/371
D431,550 S * 10/2000 Yoneda D14/205
6,611,963 B2 * 9/2003 Woo et al. 2/209
D484,485 S * 12/2003 Matsuoka D14/205
D544,464 S * 6/2007 Lee D14/205
7,245,735 B2 * 7/2007 Han 381/371
D549,688 S * 8/2007 Suzuki D14/205
D573,581 S * 7/2008 Gondo et al. D14/205
D588,100 S * 3/2009 Densho et al. D14/205
D589,890 S * 4/2009 Hung D13/147
D620,474 S * 7/2010 Komiyama D14/205
D635,958 S * 4/2011 Ando et al. D14/205
D637,176 S * 5/2011 Brunner et al. D14/205
D645,023 S 9/2011 Brandis

(Continued)

Primary Examiner — Paula Greene

(74) *Attorney, Agent, or Firm* — Birch, Stewart, Kolasch &
Birch, LLP

(57) **CLAIM**

The ornamental design for a headset, as shown and described.

DESCRIPTION

FIG. 1 is a perspective view of the headset;

FIG. 2 is a front view of the headset;

FIG. 3 is a rear view of the headset;

FIG. 4 is a left side view of the headset;

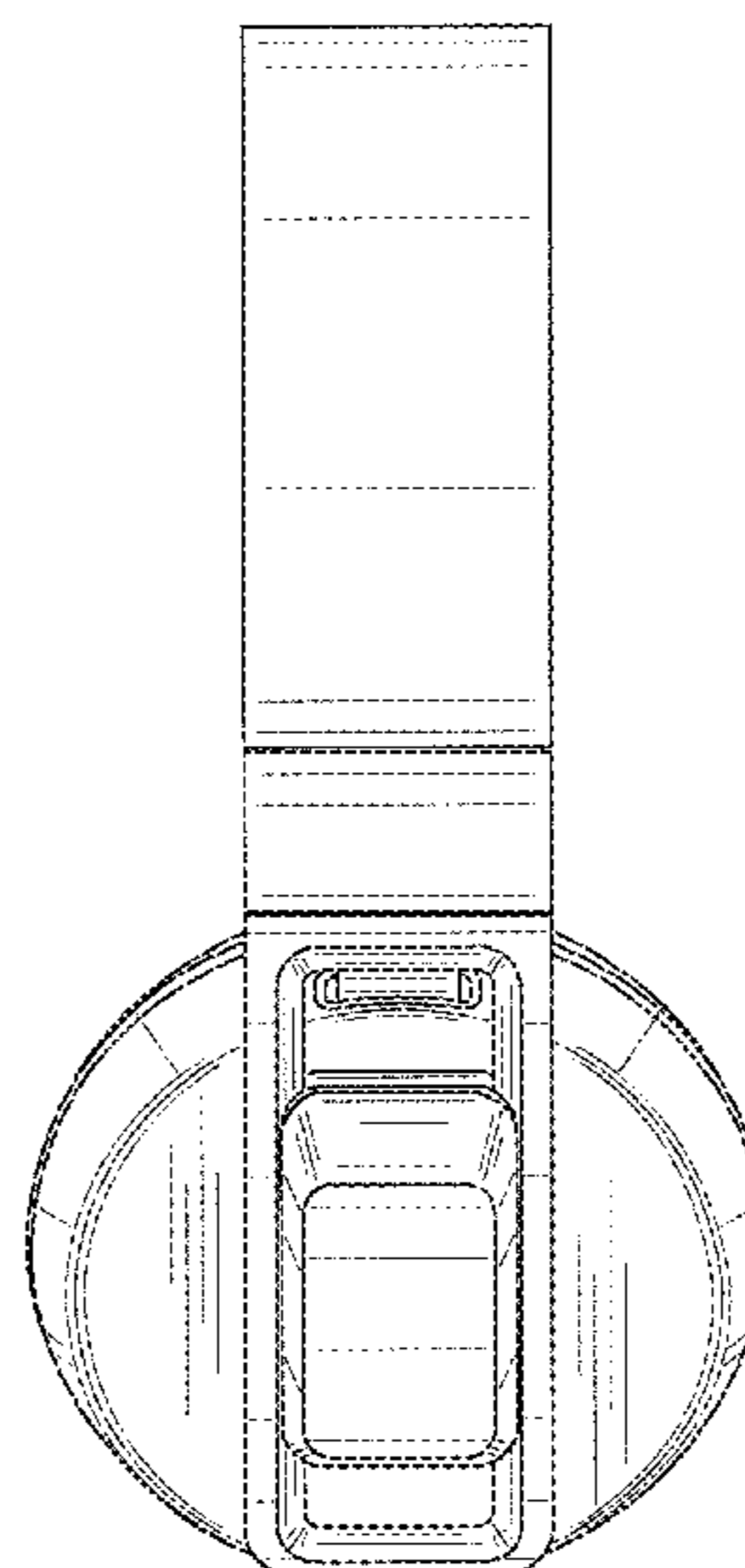
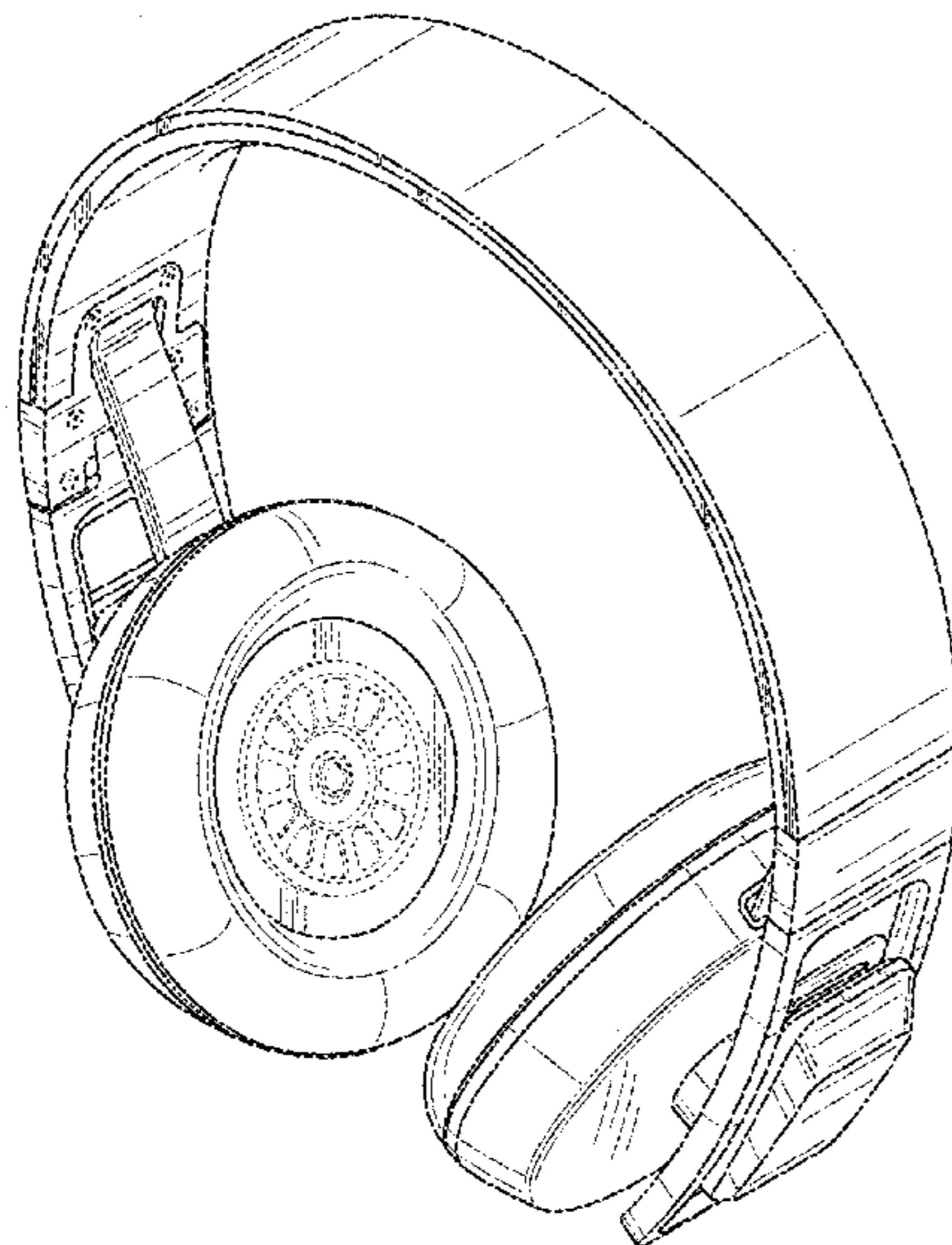
FIG. 5 is a right side view of the headset;

FIG. 6 is a top side view of the headset; and,

FIG. 7 is a bottom view of the headset.

The broken lines in the drawings are for purposes of illustration and form no part of the claimed design.

1 Claim, 6 Drawing Sheets



(56)

References Cited

U.S. PATENT DOCUMENTS

D657,346 S *	4/2012	Park	D14/205	D673,524 S	1/2013	Brennwald	
D662,490 S *	6/2012	McSweyn	D14/205	D697,495 S *	1/2014	Lian	D14/205
D663,717 S *	7/2012	Hutchieson	D14/206	D707,200 S *	6/2014	Yang	D14/205
D672,745 S *	12/2012	Abed et al.	D14/205	D713,374 S *	9/2014	Farrage	D14/205
D673,519 S *	1/2013	Tan	D14/205	D722,302 S *	2/2015	Lee et al.	D14/205
D673,523 S	1/2013	Brennwald		2001/0017925 A1 *	8/2001	Ceravolo	381/370
				2005/0220318 A1 *	10/2005	Han	381/371
				2013/0087404 A1 *	4/2013	Peskar et al.	181/129

* cited by examiner

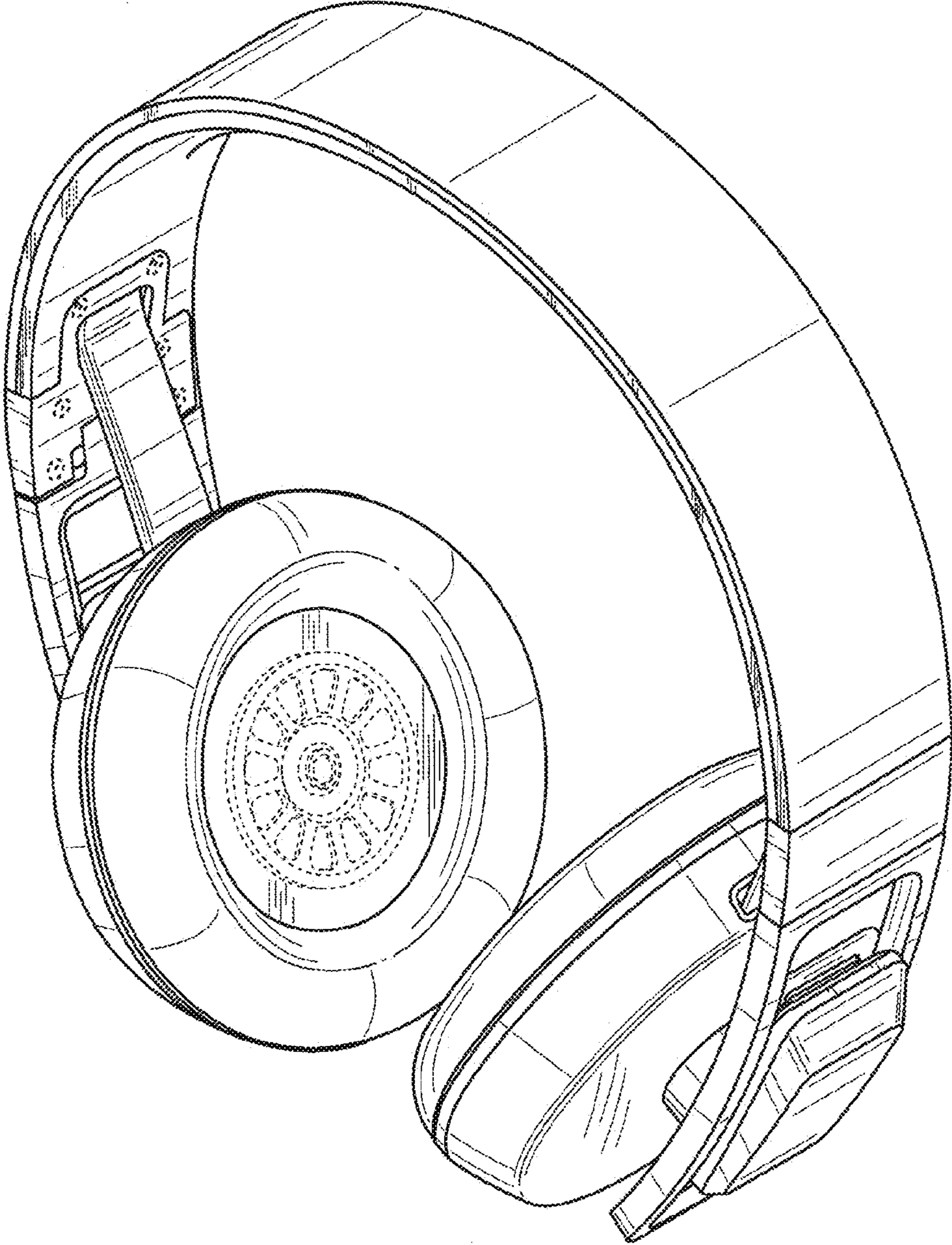


FIG. 1



FIG. 2



FIG. 3

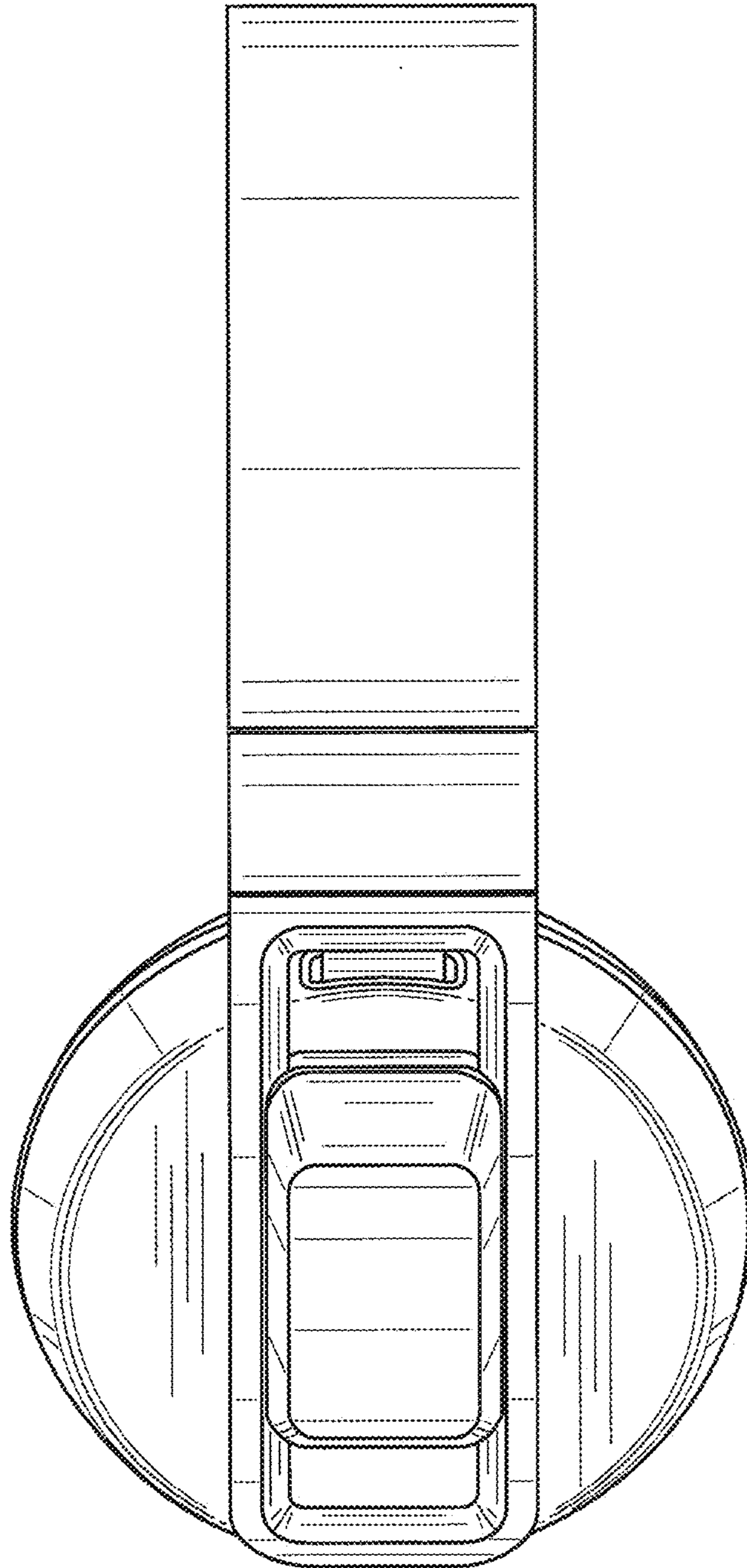


FIG. 4

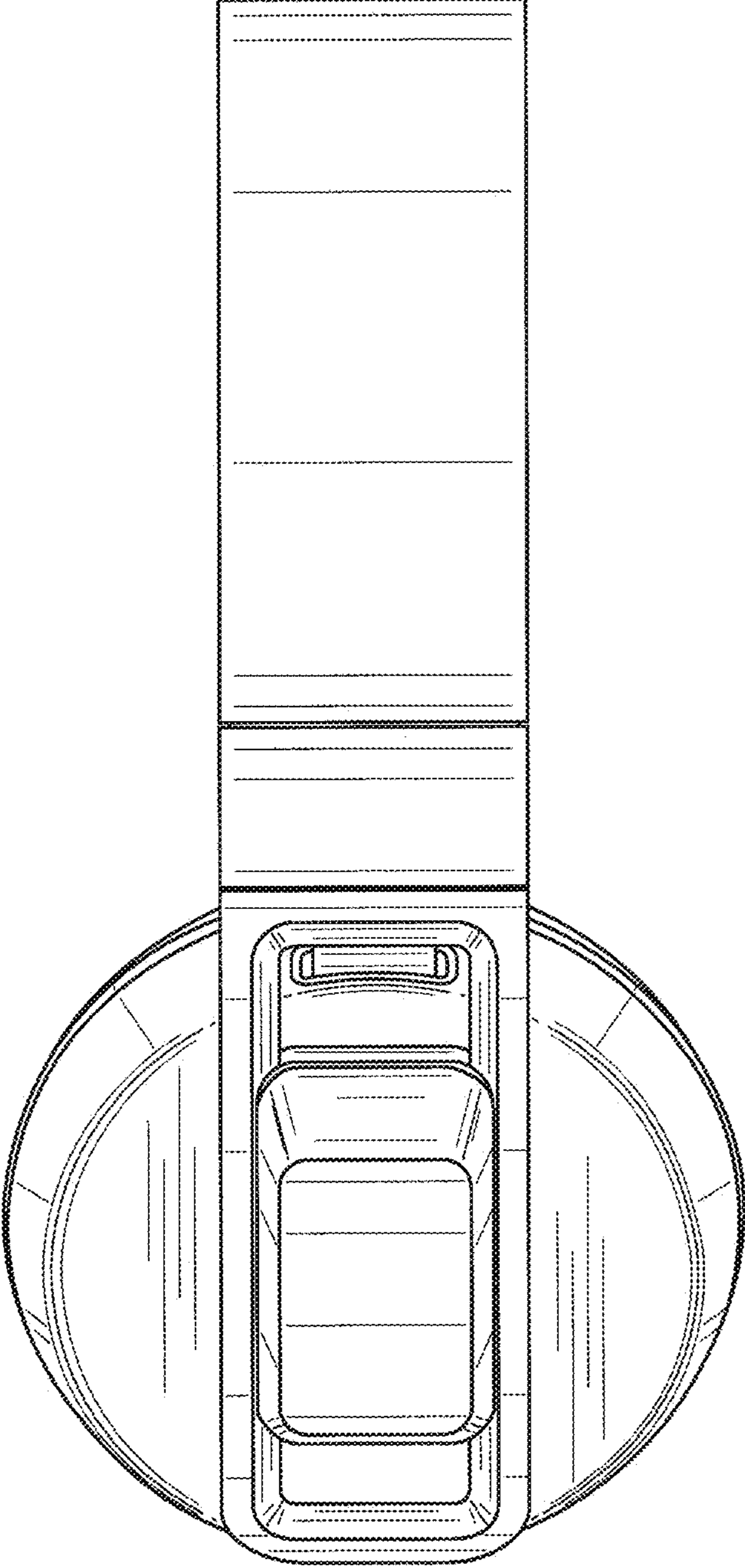


FIG. 5

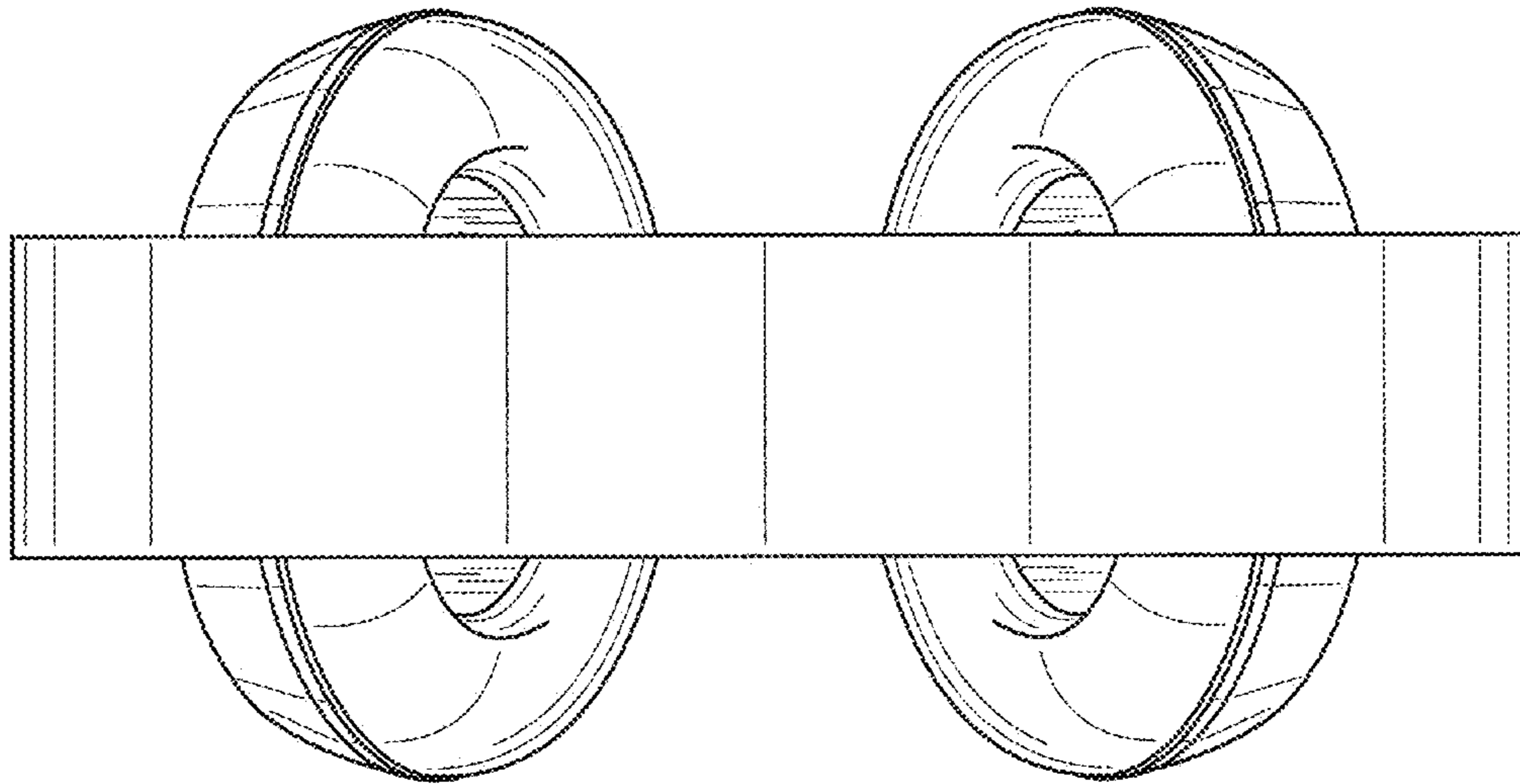


FIG. 6

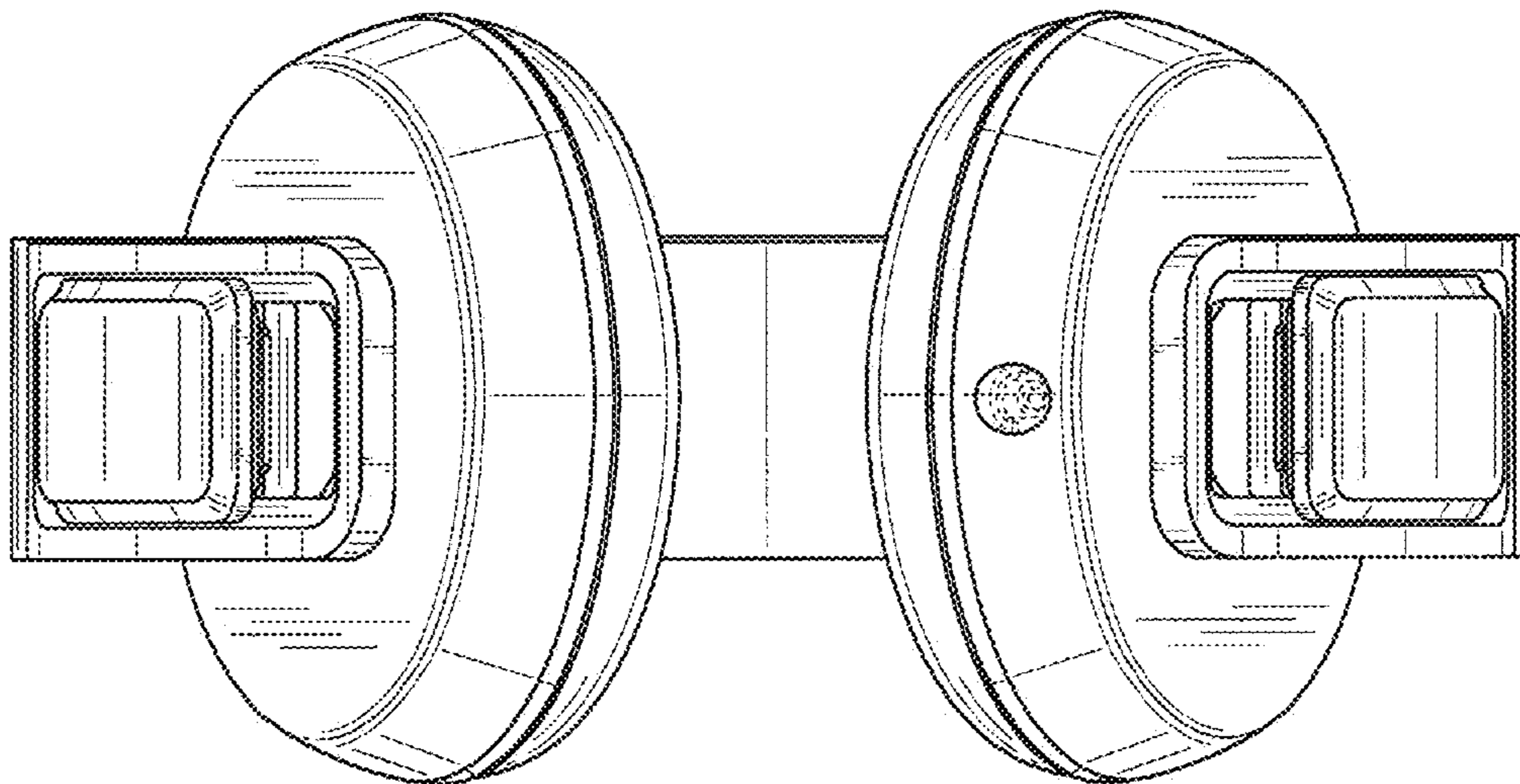


FIG. 7