



US00D731998S

(12) **United States Design Patent**  
**Holzer**

(10) **Patent No.:** **US D731,998 S**  
(45) **Date of Patent:** **\*\* Jun. 16, 2015**

(54) **DIGITAL MEDIA DOCKING PLAYER CLOCK RADIO**

(71) Applicant: **Eric Holzer**, Piscataway, NJ (US)

(72) Inventor: **Eric Holzer**, Piscataway, NJ (US)

(73) Assignee: **SDI TECHNOLOGIES, INC.**, Rahway, NJ (US)

(\*\*) Term: **14 Years**

(21) Appl. No.: **29/481,643**

(22) Filed: **Feb. 7, 2014**

(51) **LOC (10) Cl.** ..... **14-01**

(52) **U.S. Cl.**  
USPC ..... **D14/171**

(58) **Field of Classification Search**  
USPC ..... D14/496, 498-511, 157, 168-171,  
D14/188-198, 203.1-203.7; 312/7.1;  
369/6-12; 370/342-344;  
455/90.1-90.3, 344-355  
CPC ..... H04B 1/06; H04B 1/08; H04B 1/086;  
H04M 1/04; H04M 1/21; H04W 4/02; H04W  
4/06  
See application file for complete search history.

(56) **References Cited**

**U.S. PATENT DOCUMENTS**

D560,650 S *	1/2008	Choi	.....	D14/171
D577,709 S *	9/2008	Skurdal	.....	D14/171
D583,358 S *	12/2008	Joseph	.....	D14/171
D583,359 S *	12/2008	Skurdal	.....	D14/171
D616,413 S *	5/2010	Poandl	.....	D14/171

D622,258 S *	8/2010	Joseph	.....	D14/171
D622,260 S *	8/2010	Poandl	.....	D14/171
D645,841 S *	9/2011	Joseph	.....	D14/171
D648,743 S *	11/2011	Chang	.....	D14/496
D656,919 S	4/2012	Skurdal	.....	D14/171
D658,151 S *	4/2012	Joseph	.....	D14/171
D666,577 S *	9/2012	Skurdal	.....	D14/171
D676,413 S *	2/2013	Poandl	.....	D14/171
D709,856 S *	7/2014	Holzer	.....	D14/171

**OTHER PUBLICATIONS**

U.S. Appl. No. 29/439,160, filed Dec. 2012, Holzer.

\* cited by examiner

*Primary Examiner* — Sandra Morris

(74) *Attorney, Agent, or Firm* — Ostrolenk Faber LLP

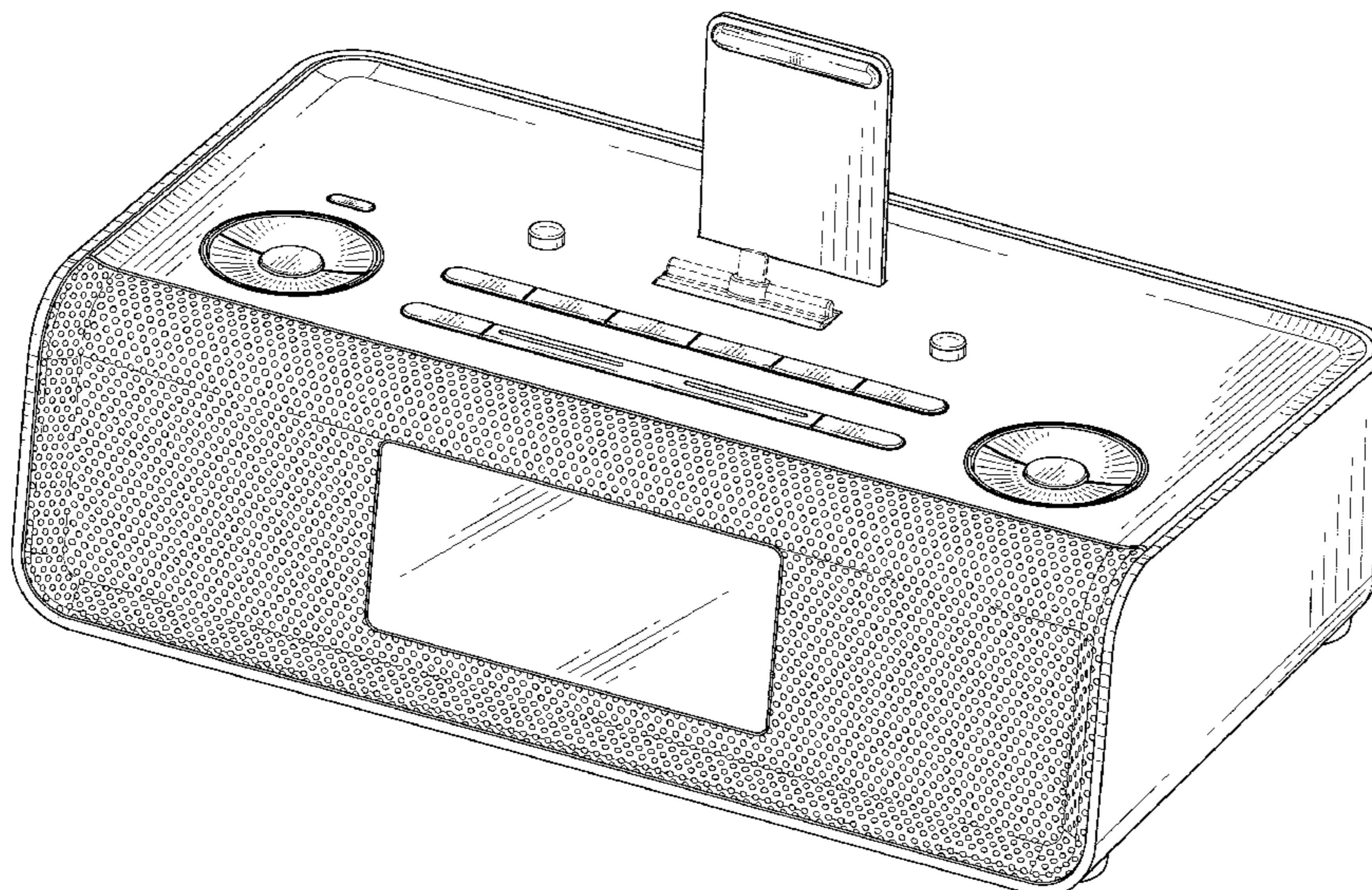
(57) **CLAIM**

The ornamental design for a digital media docking player clock radio, as shown and described.

**DESCRIPTION**

FIG. 1 is a top, front perspective view of a digital media docking player clock radio showing my new design;  
FIG. 2 is a front view thereof;  
FIG. 3 is a rear view thereof;  
FIG. 4 is a top view thereof;  
FIG. 5 is a bottom view thereof;  
FIG. 6 is a side view thereof, the opposite side view being a mirror image;  
FIG. 7 is a cross-sectional view along line 7-7 in FIG. 4; and,  
FIG. 8 is a cross-sectional view along line 8-8 in FIG. 4.  
The broken lines in the drawings illustrate environmental material that forms no part of the claimed design.

**1 Claim, 8 Drawing Sheets**



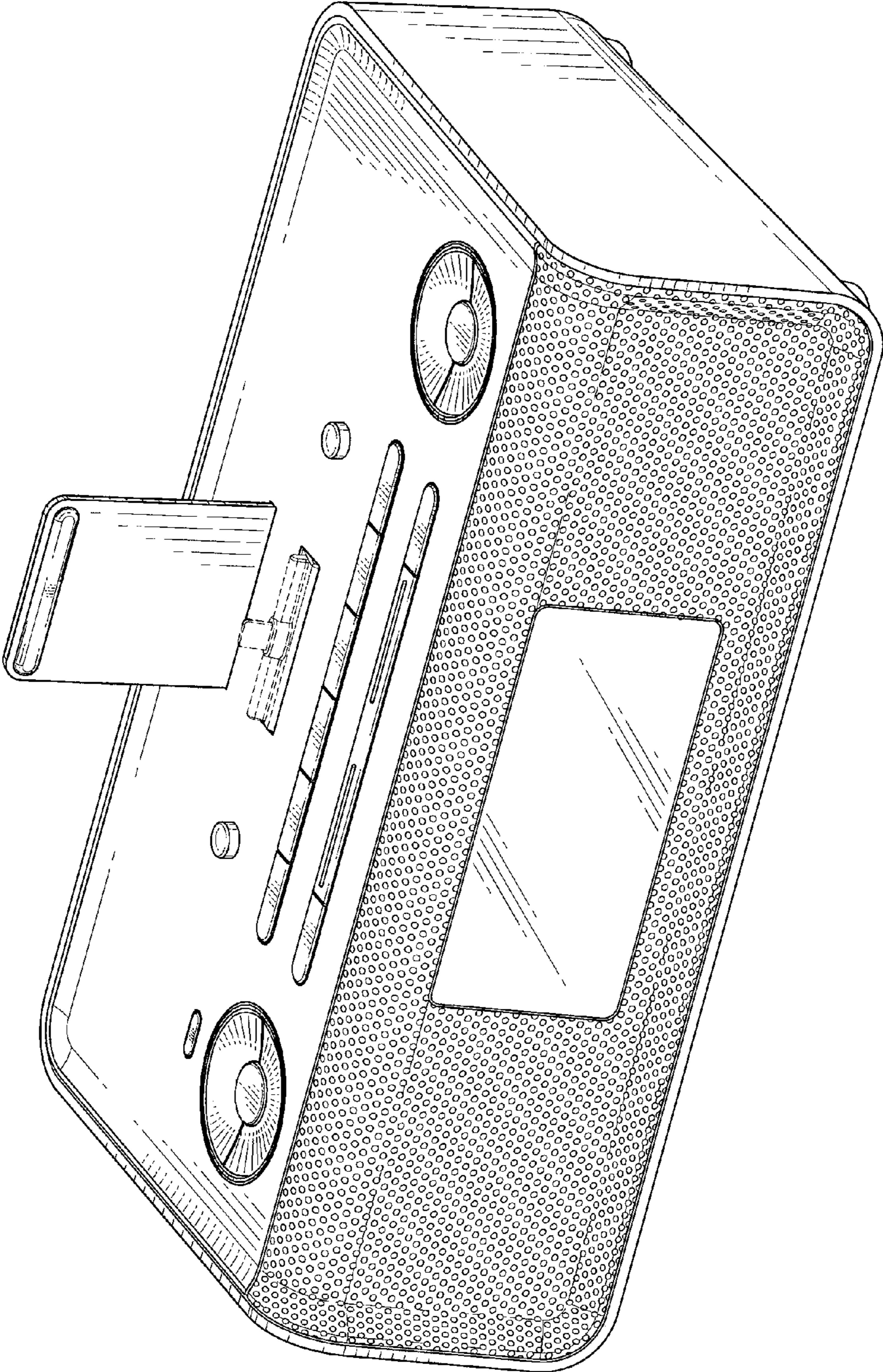


FIG.1

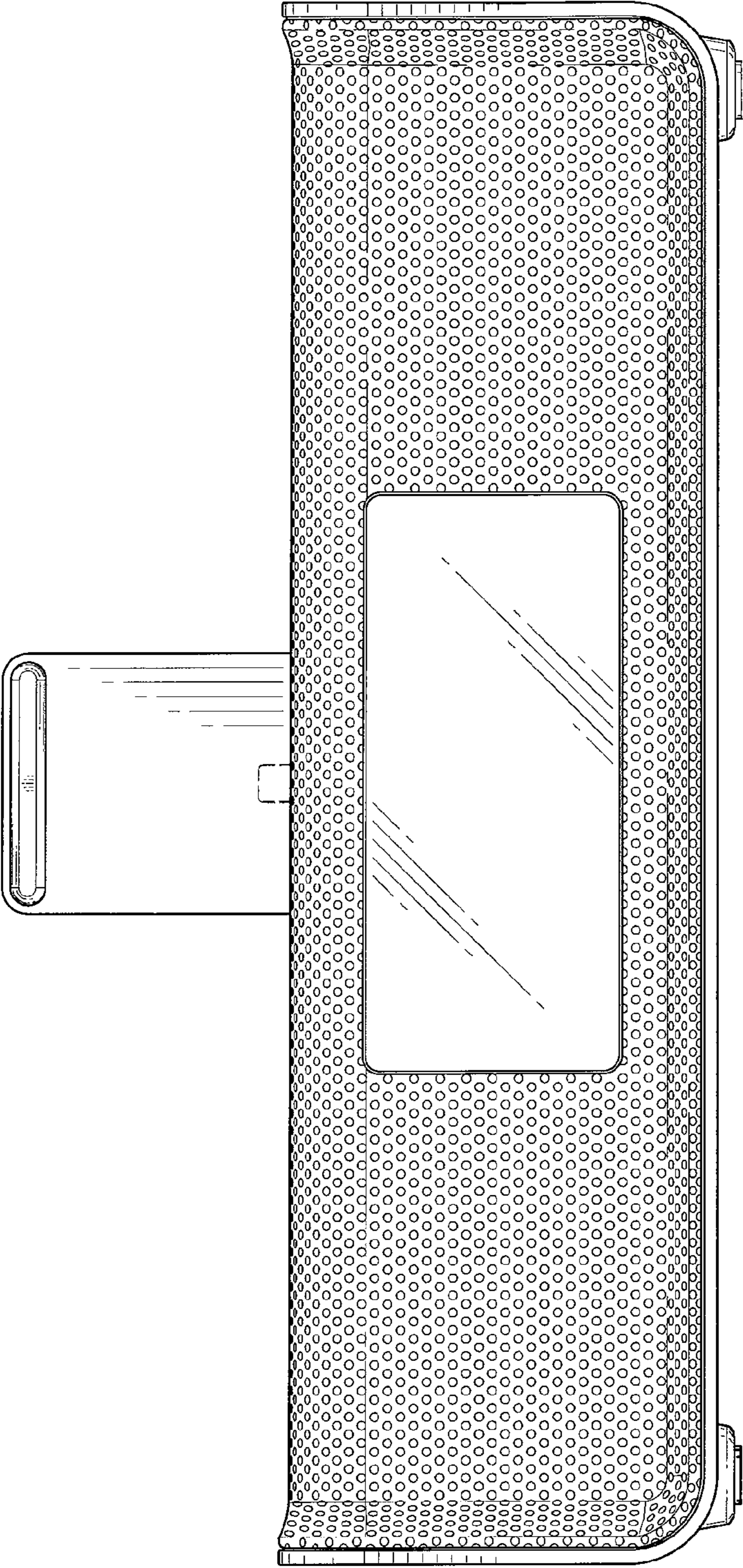


FIG. 2

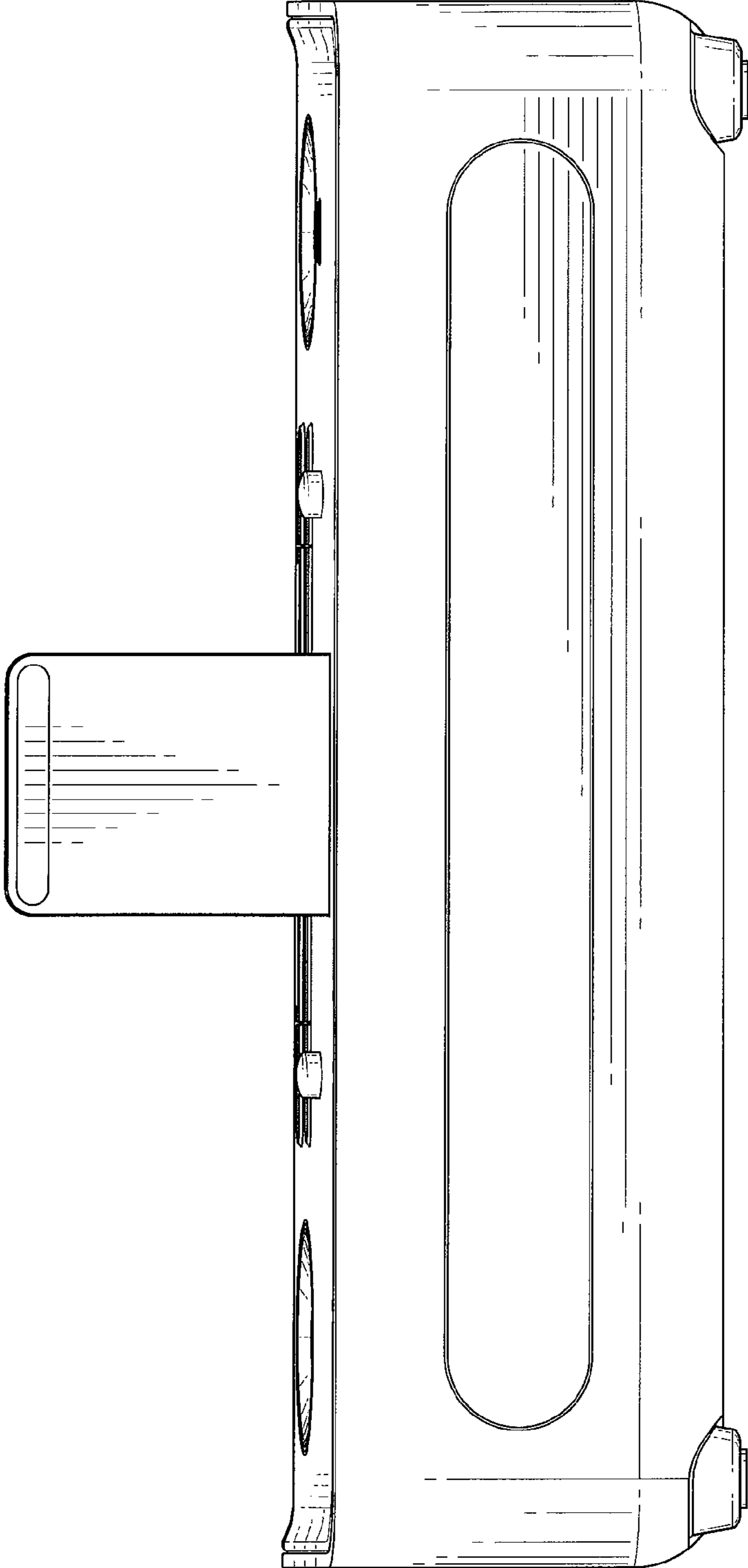
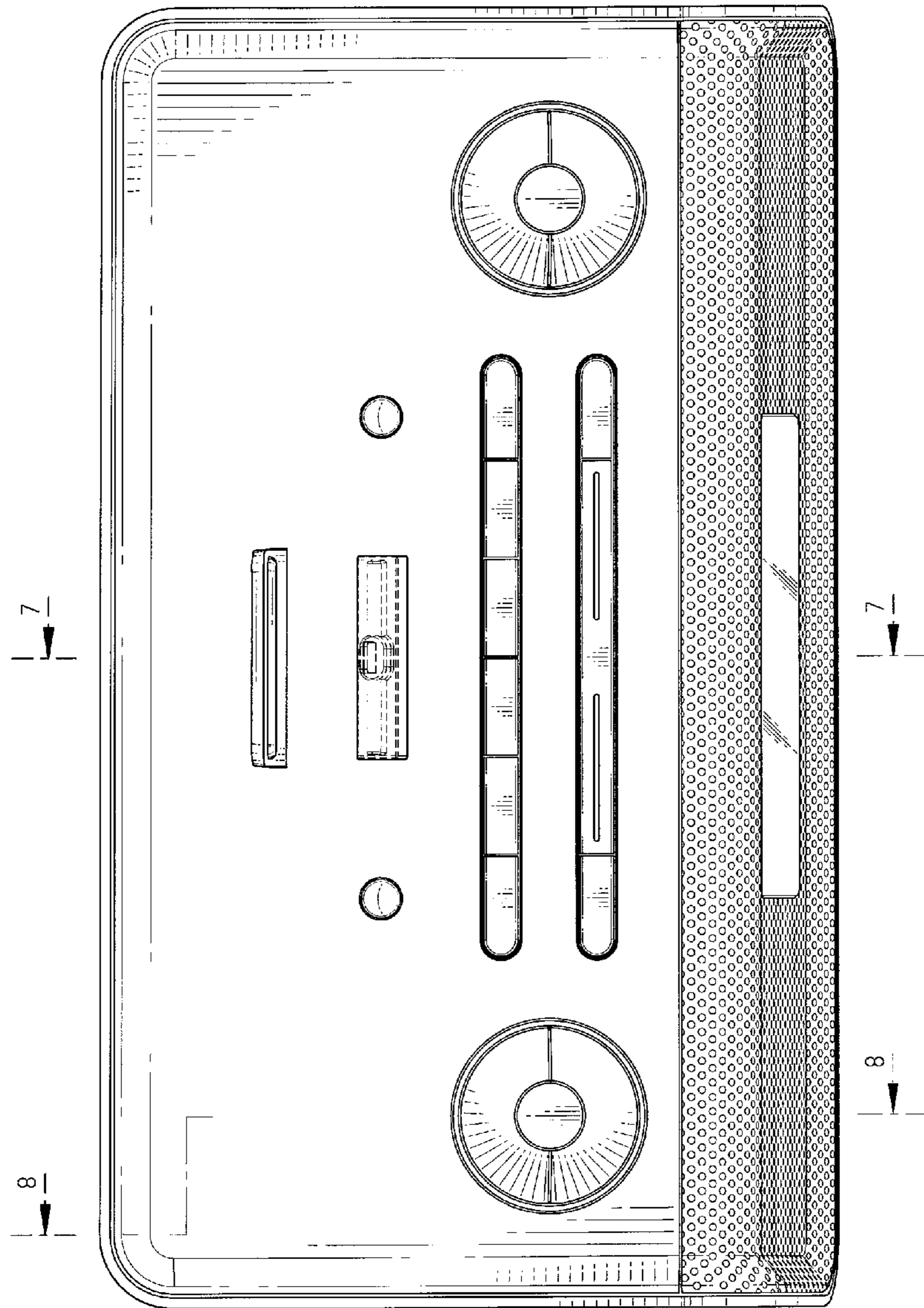


FIG. 3



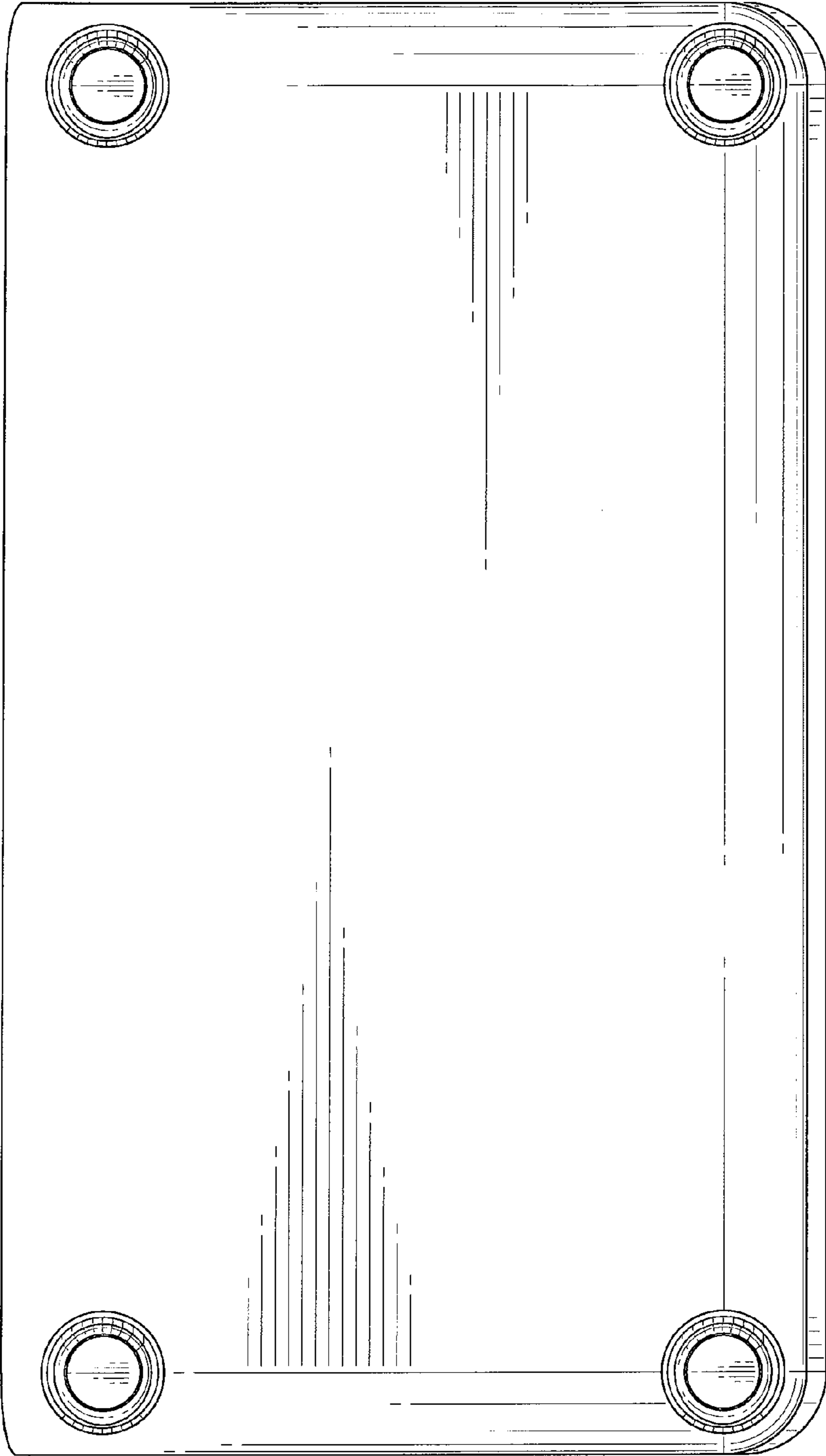


FIG. 5

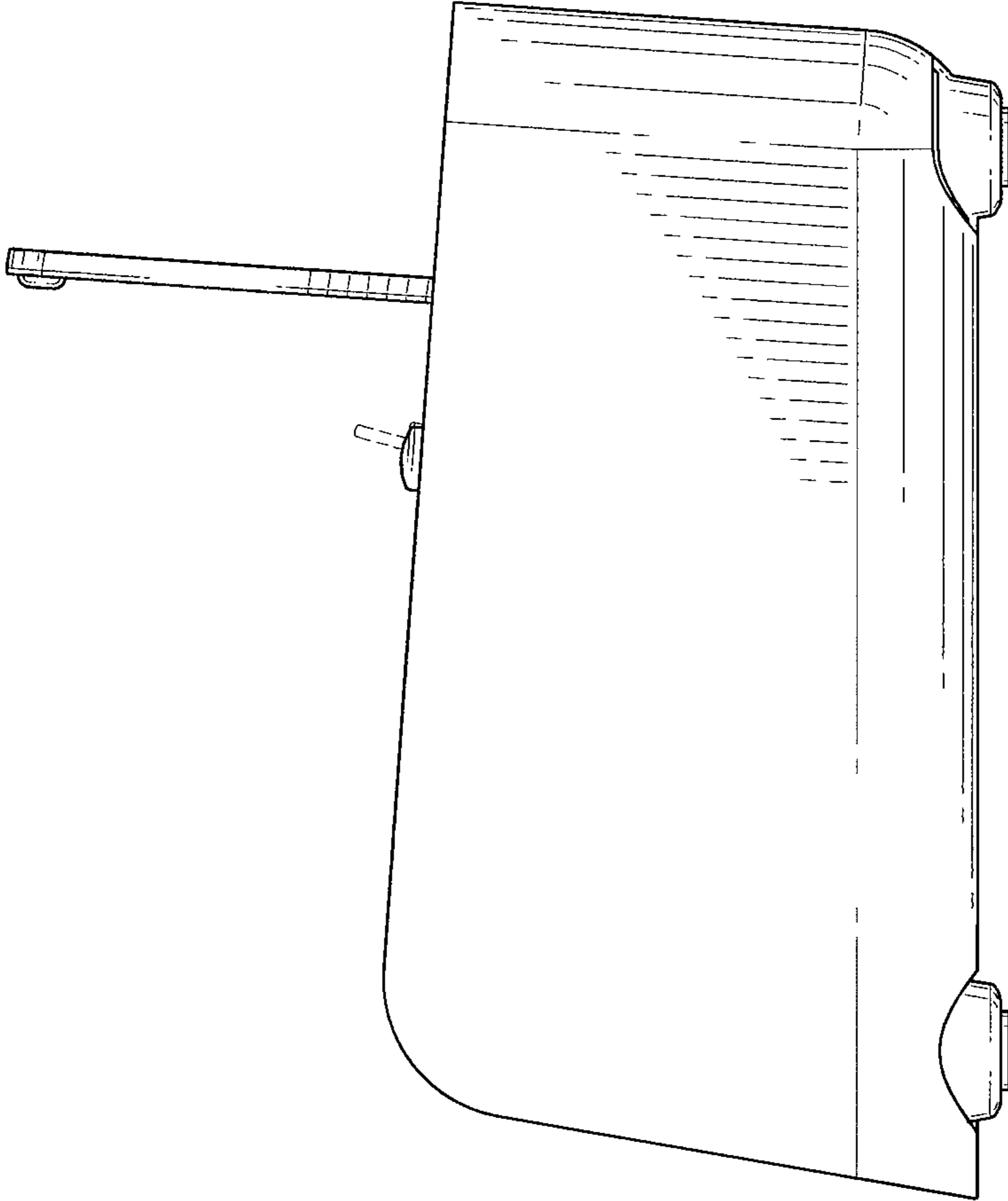


FIG. 6

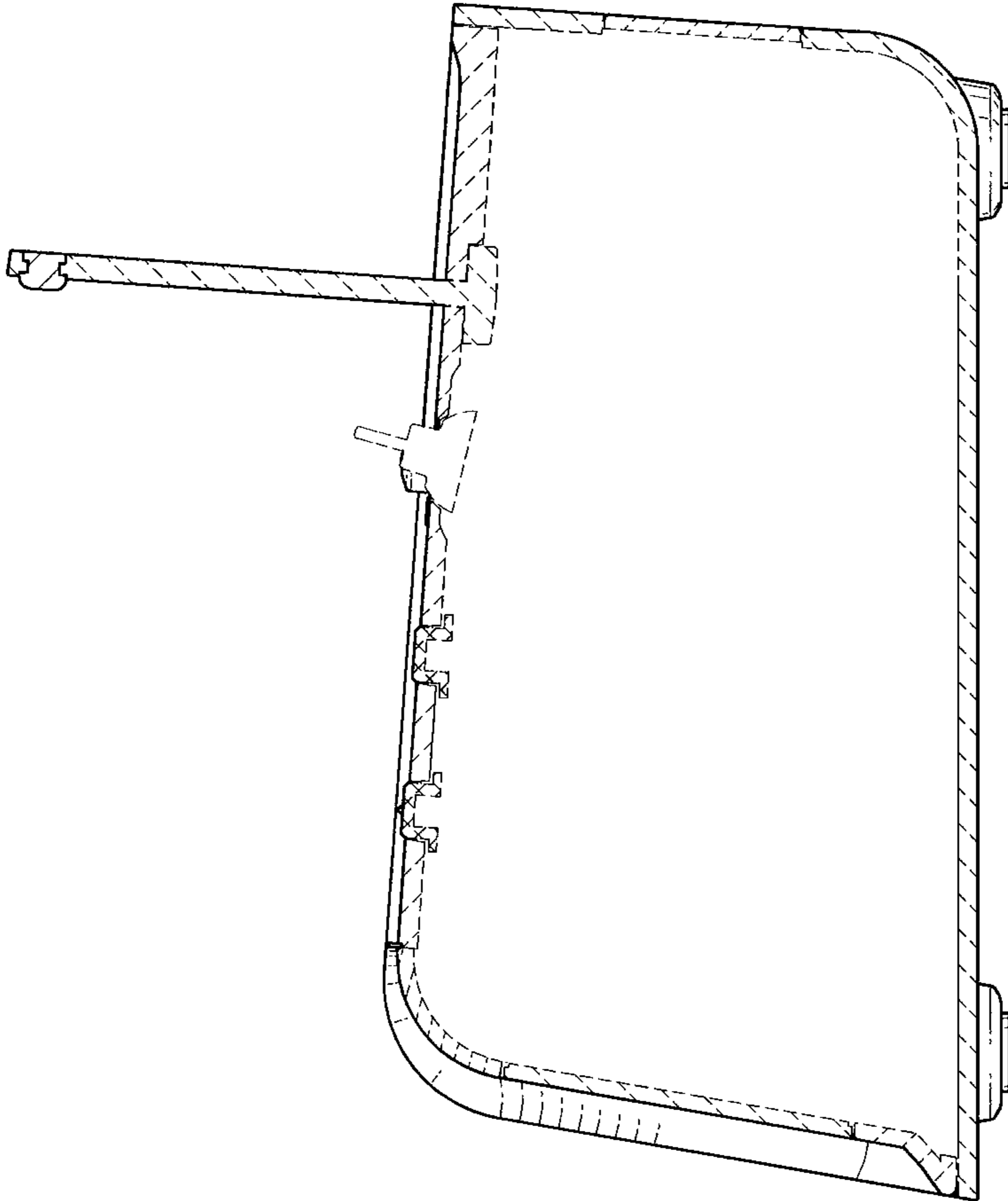


FIG. 7



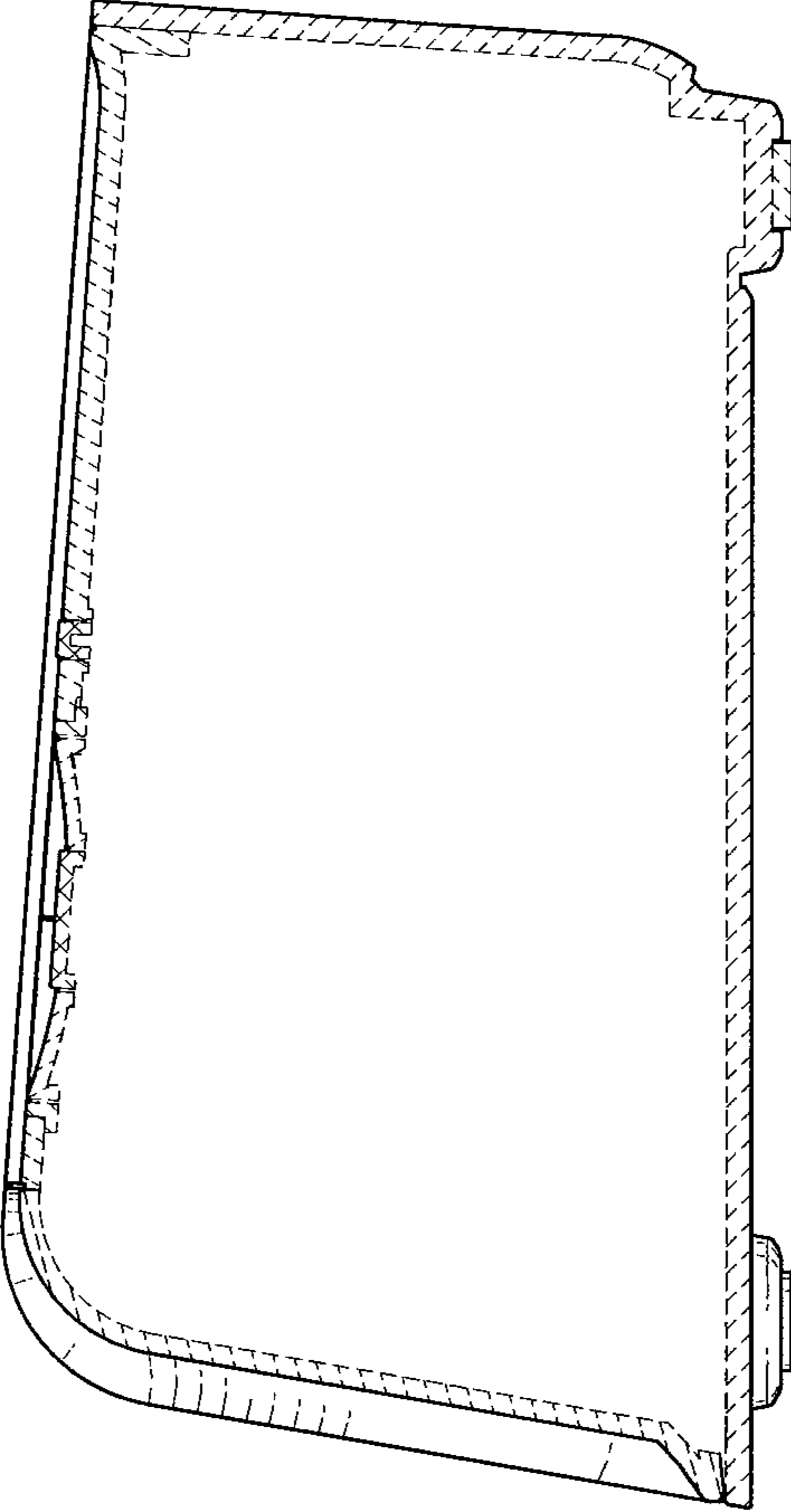


FIG. 8