



US00D731997S

(12) **United States Design Patent**
Brennwald et al.

(10) **Patent No.:** **US D731,997 S**
(45) **Date of Patent:** **** Jun. 16, 2015**

(54) **TRANSMITTER FOR A HEADPHONE**

(71) Applicant: **Sennheiser electronic GmbH & Co. KG, Wedemark (DE)**

(72) Inventors: **Joerg Brennwald, Kiel (DE); Chang-Chin Hwang, Kiel (DE)**

(73) Assignee: **Sennheiser electronic GmbH & Co. KG, Wedemark (DE)**

(**) Term: **14 Years**

(21) Appl. No.: **29/458,532**

(22) Filed: **Jun. 20, 2013**

(30) **Foreign Application Priority Data**

Dec. 20, 2012 (EM) 002 156 893-0002

(51) **LOC (10) Cl.** **14-03**

(52) **U.S. Cl.**
USPC **D14/155**

(58) **Field of Classification Search**
USPC D14/155, 383, 159, 167, 154, 168, 188,
D14/496, 165, 158, 137; 455/350, 351, 353;
D10/104.1, 78, 106.1-106.7; D9/414,
D9/424
CPC G06F 17/00; G10L 13/00; H04R 2410/00;
H04W 92/04
See application file for complete search history.

(56) **References Cited**

U.S. PATENT DOCUMENTS

D370,011 S * 5/1996 Lindeman D14/137
D537,807 S * 3/2007 Griffin et al. D14/155
D544,462 S * 6/2007 Patel D14/155

D570,830 S * 6/2008 Sukeguchi et al. D14/217
D574,358 S * 8/2008 Bart D14/167
D579,913 S * 11/2008 Lamason D14/159
D603,834 S * 11/2009 Lyman et al. D14/155
D624,554 S * 9/2010 Lo D14/480.7
D627,069 S * 11/2010 Mehlsen et al. D24/174
D655,267 S * 3/2012 Daniel D14/137
D659,668 S * 5/2012 Neumann D14/155
D723,504 S * 3/2015 Reimer et al. D14/155

* cited by examiner

Primary Examiner — Austin Murphy

(74) *Attorney, Agent, or Firm* — Frommer Lawrence & Haug LLP

(57) **CLAIM**

The ornamental design for a transmitter for a headphone, as shown and described.

DESCRIPTION

FIG. 1 is a perspective view of the transmitter in accordance with the invention.
FIG. 2 is a front view of the transmitter in accordance with the invention.
FIG. 3 is a back view of the transmitter in accordance with the invention.
FIG. 4 is a right side view of the transmitter in accordance with the invention.
FIG. 5 is a left view of the transmitter in accordance with the invention.
FIG. 6 is a top view of the transmitter in accordance with the invention; and,
FIG. 7 is a bottom view of the transmitter in accordance with the invention.

1 Claim, 7 Drawing Sheets

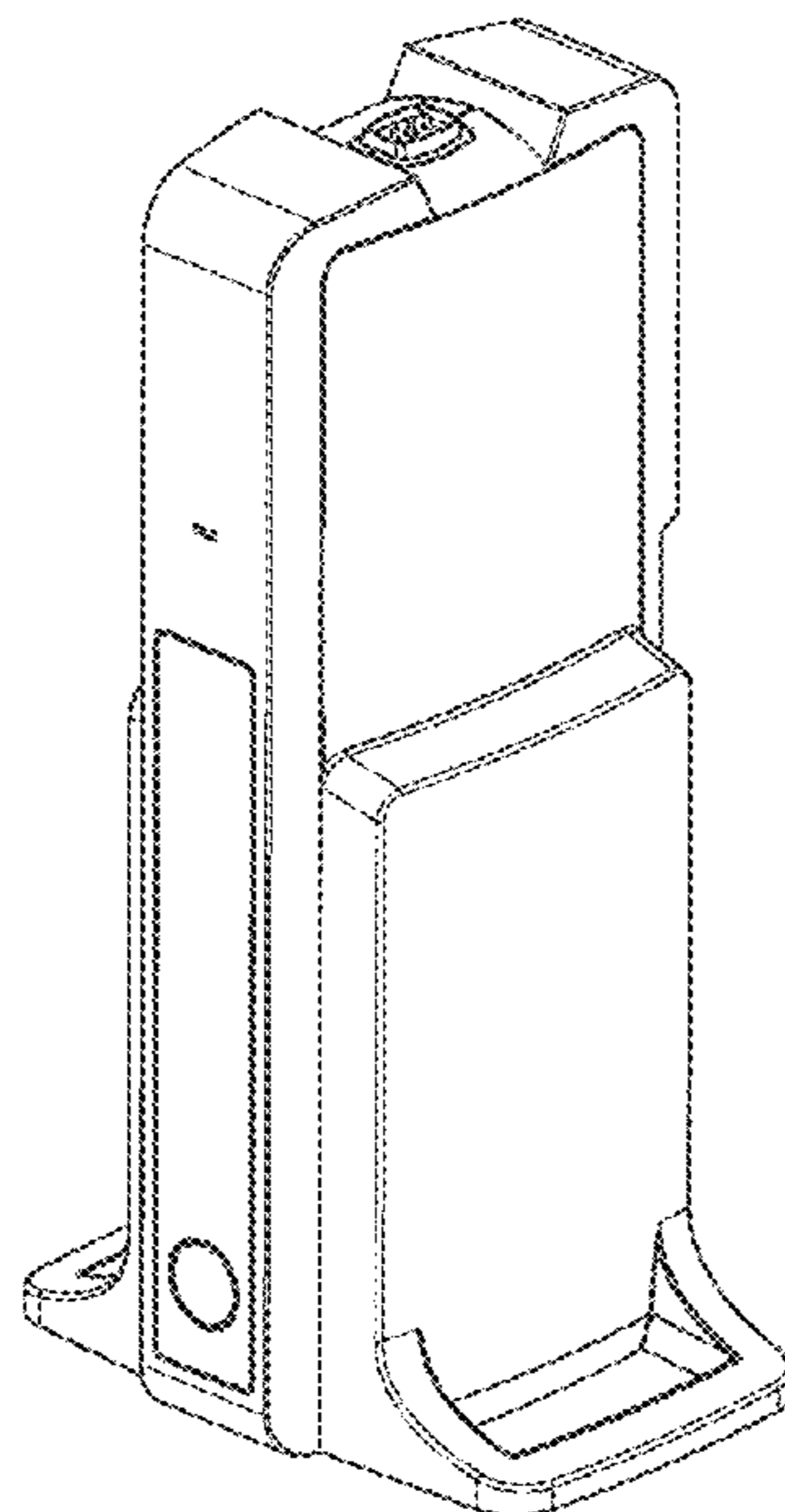


Fig. 1

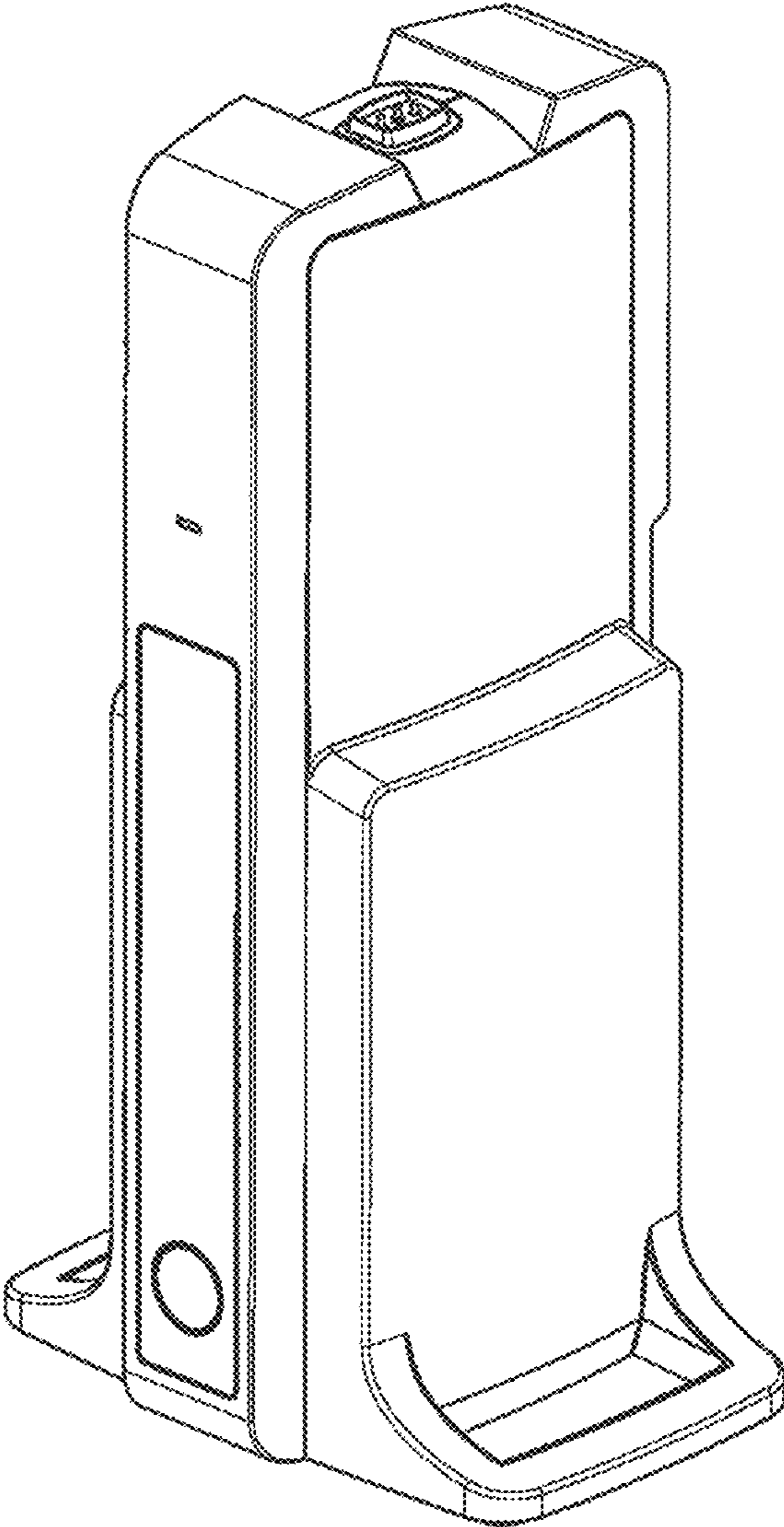


Fig. 2

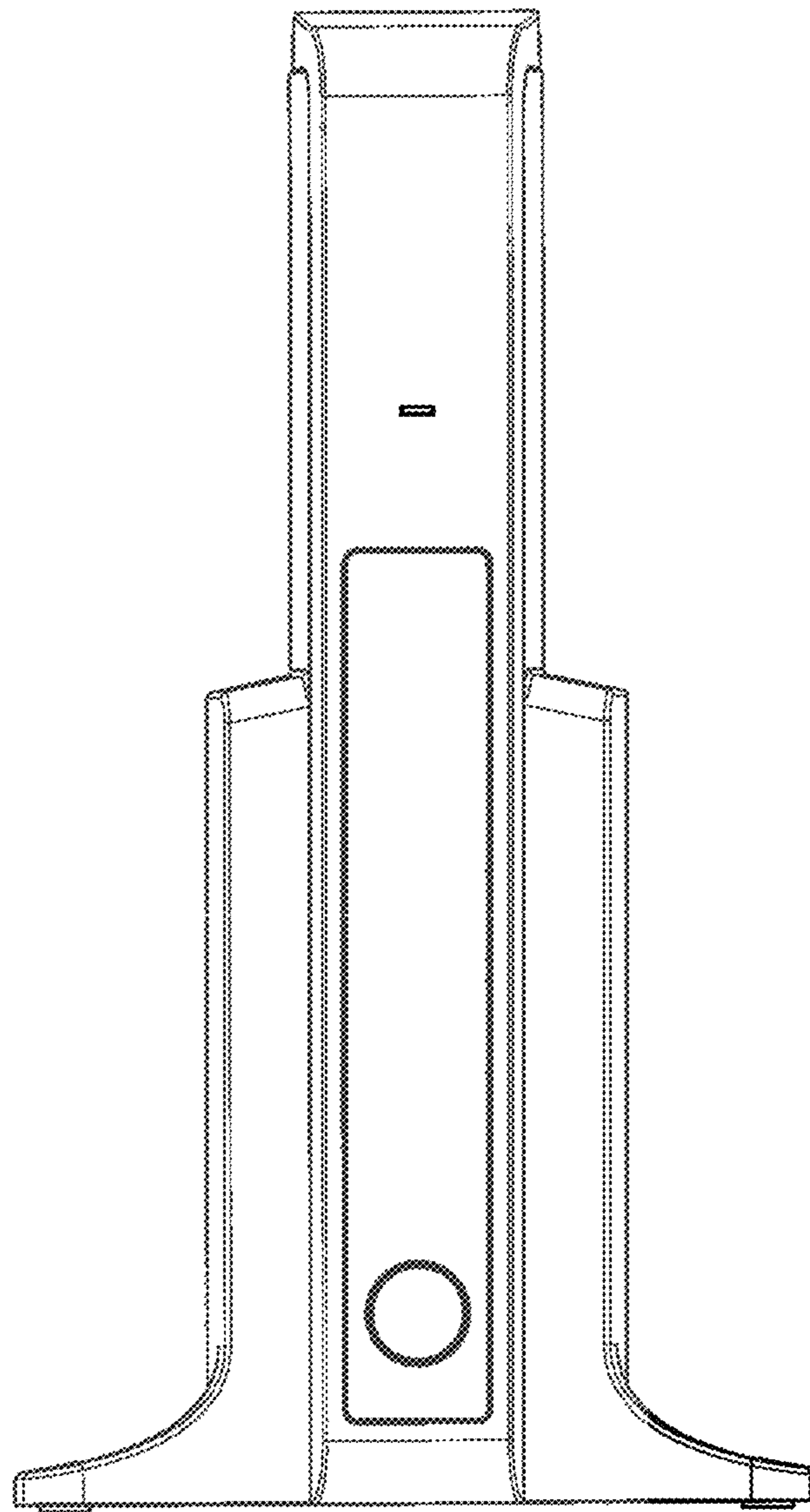


Fig. 3

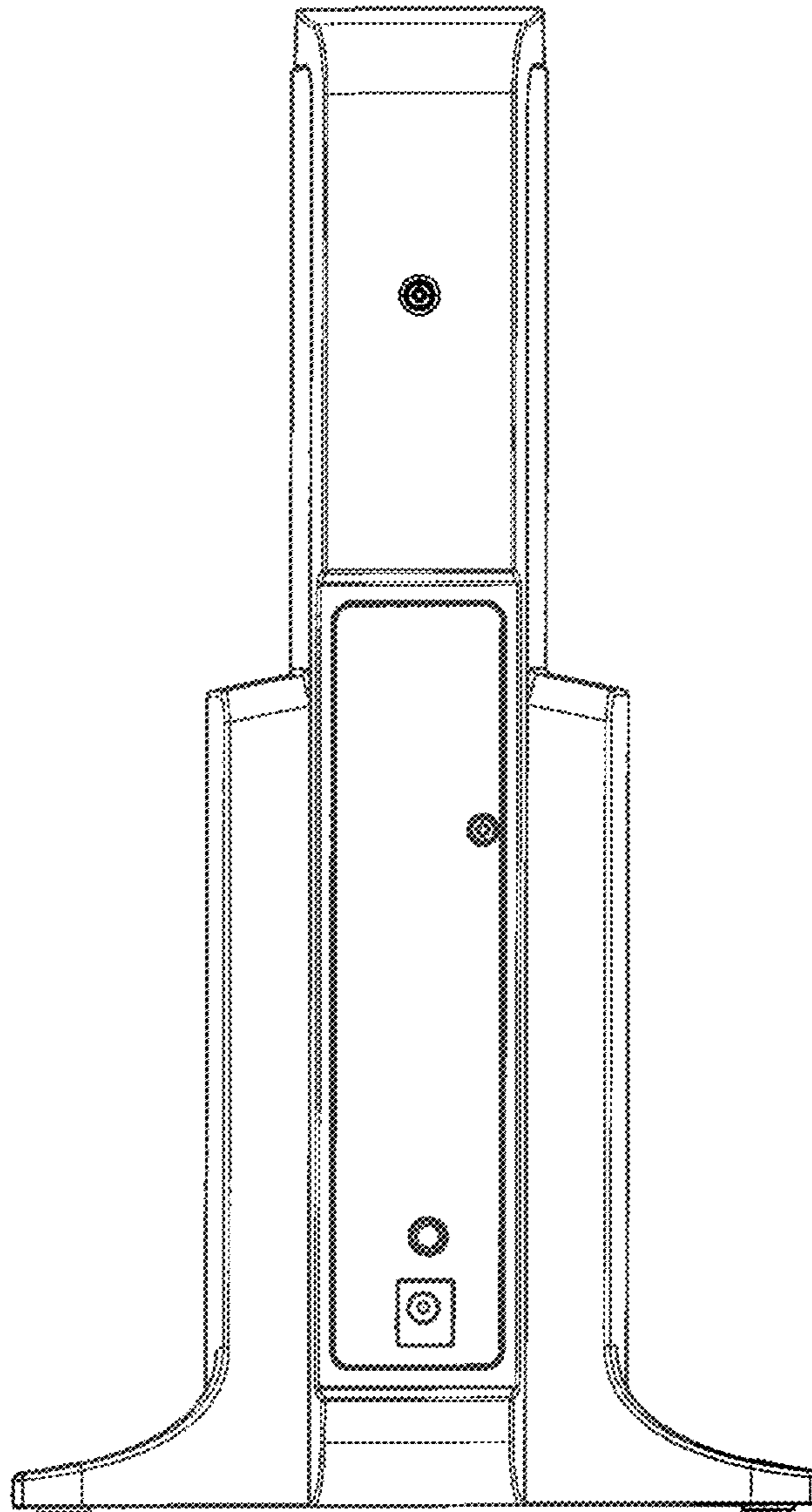


Fig. 4

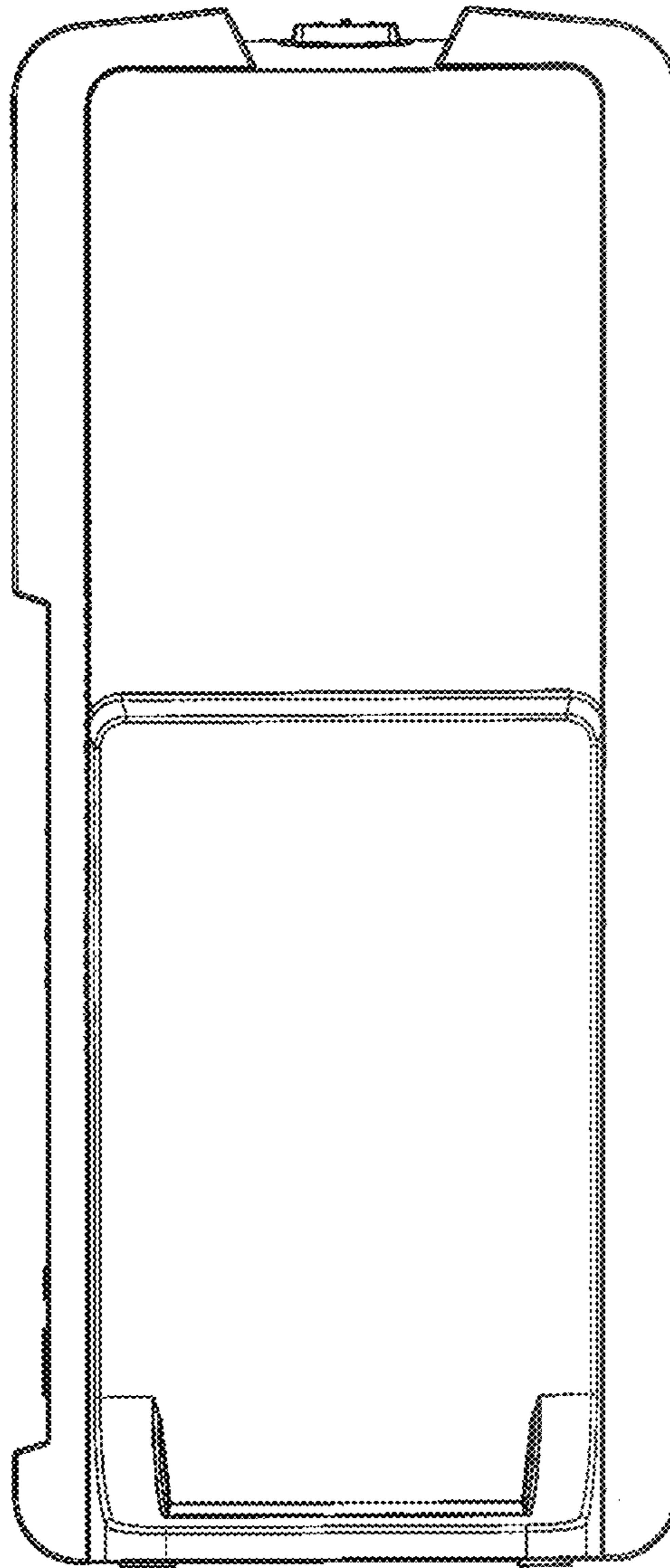


Fig. 5

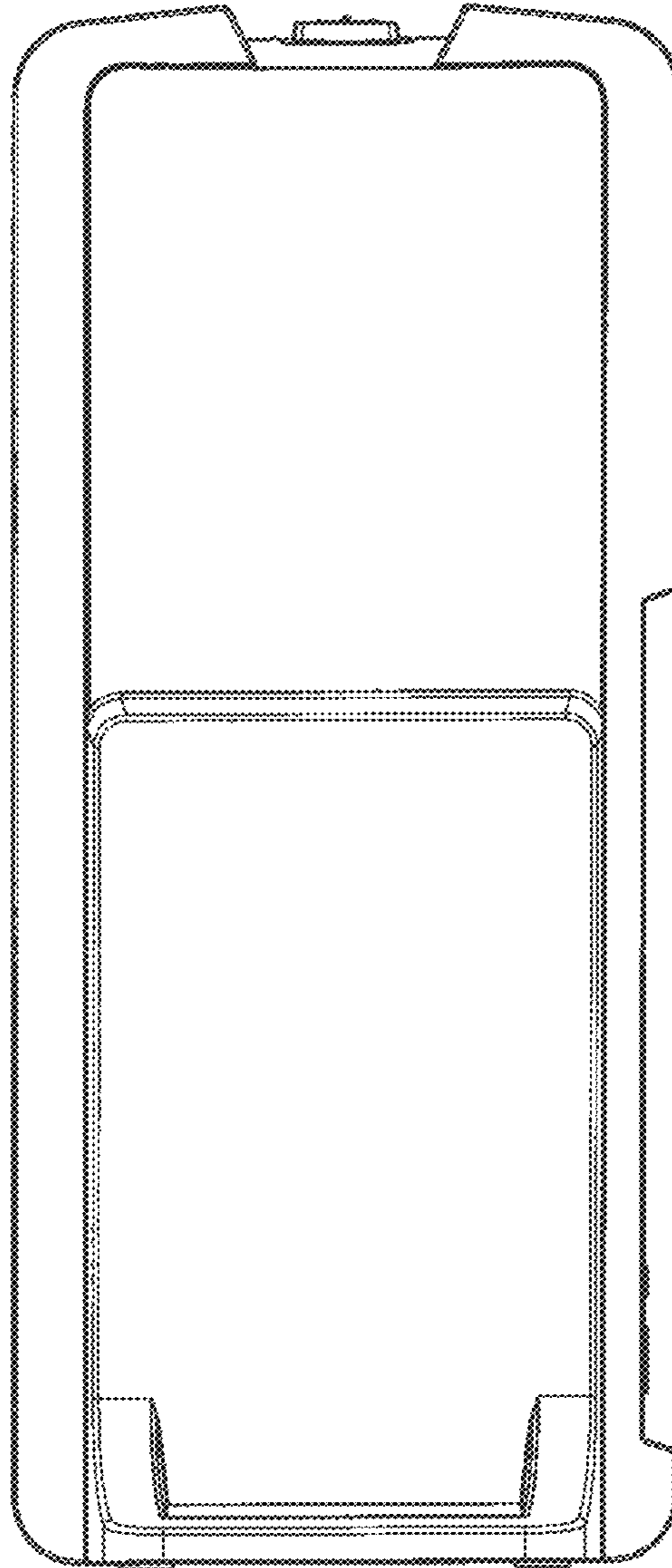


Fig. 6

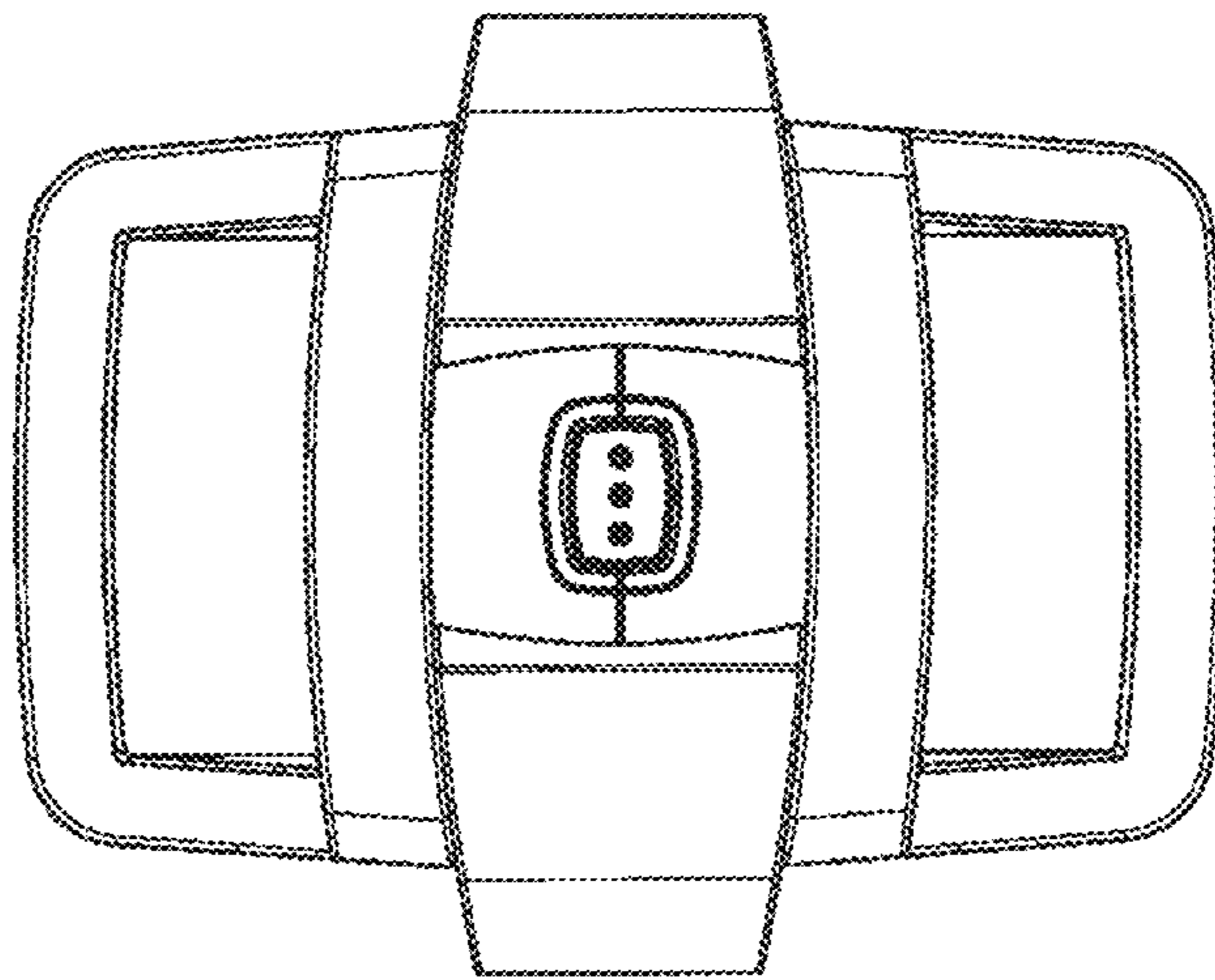


Fig. 7

