



US00D731994S

(12) **United States Design Patent**
Won et al.

(10) **Patent No.:** **US D731,994 S**

(45) **Date of Patent:** **** Jun. 16, 2015**

(54) **TV RECEIVER**

(56) **References Cited**

(71) Applicant: **LG ELECTRONICS INC.**, Seoul (KR)

U.S. PATENT DOCUMENTS

(72) Inventors: **Hyojin Won**, Seoul (KR); **Seongahn Jeon**, Seoul (KR); **Jeongrok Lee**, Seoul (KR); **Hyunhee You**, Gyeonggi-do (KR); **Hyeyoung Hong**, Seoul (KR)

5,510,828	A *	4/1996	Lutterbach et al.	725/138
7,245,482	B2 *	7/2007	Kim	361/679.27
7,478,789	B2 *	1/2009	Yukawa et al.	248/371
7,911,775	B2 *	3/2011	Azami	361/679.21
D637,571	S *	5/2011	Chiu et al.	D14/126
D661,272	S *	6/2012	Kim et al.	D14/126
D670,257	S *	11/2012	Yang et al.	D14/126
D680,089	S *	4/2013	Cho et al.	D14/126
D680,106	S *	4/2013	Hwangbo et al.	D14/239
D682,799	S *	5/2013	Hwang Bo et al.	D14/126
D695,700	S *	12/2013	Seong	D14/126

(73) Assignee: **LG Electronics Inc.**, Seoul (KR)

(**) Term: **14 Years**

* cited by examiner

(21) Appl. No.: **29/476,771**

Primary Examiner — Randall Gholson

(22) Filed: **Dec. 17, 2013**

(74) *Attorney, Agent, or Firm* — Morgan, Lewis & Bockius LLP

(30) **Foreign Application Priority Data**

Jun. 17, 2013 (KR) 30-2013-0031251

(51) **LOC (10) Cl.** **14-03**

(57) **CLAIM**

(52) **U.S. Cl.**
USPC **D14/126**

The ornamental design for a TV receiver, as shown and described.

(58) **Field of Classification Search**

DESCRIPTION

USPC D14/126, 127, 128, 129, 239, 371, 136, D14/341, 375; 312/7.2; 348/836, 838, 180, 348/184, 325, 739; 341/12; 248/917-924, 248/465; 345/104, 133, 156, 168, 87, 173; 720/605, 600, 655; 455/347; 273/148 B; D27/126; D10/15, 26

CPC H04N 21/42224; H04N 2005/443; H04N 21/4122; H04N 21/41407; H04N 21/4222; H04N 21/43615; H04N 21/43635; H04N 5/4403; H04N 5/64; H04N 5/655; H04N 5/645; H04N 7/00

FIG. 1 is a front, right side, perspective view of a TV receiver showing our new design;
 FIG. 2 is a front view thereof;
 FIG. 3 is a rear view thereof;
 FIG. 4 is a left side view thereof;
 FIG. 5 is a right side view thereof;
 FIG. 6 is a top view thereof; and,
 FIG. 7 is a bottom view thereof.

See application file for complete search history.

1 Claim, 4 Drawing Sheets

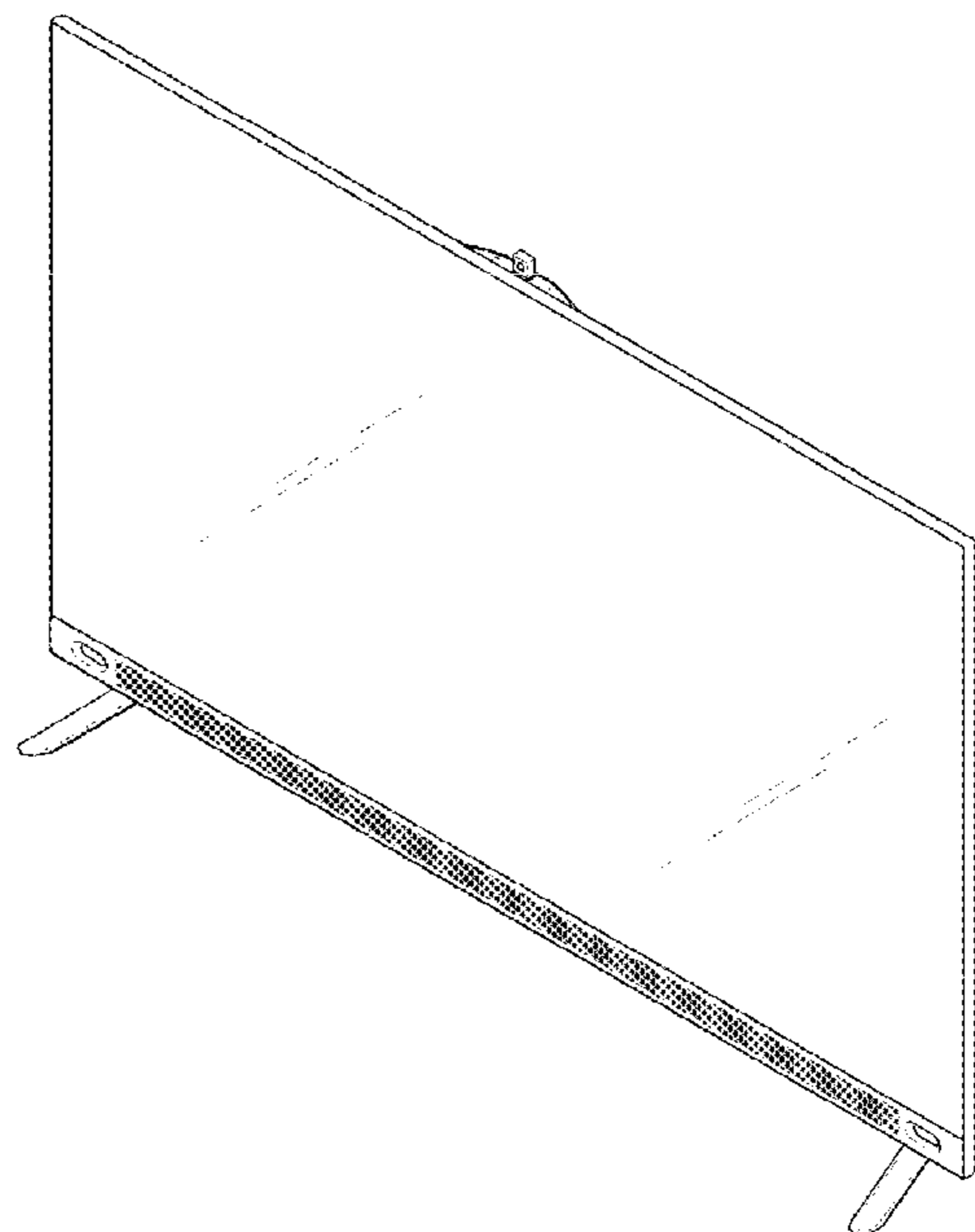


FIG. 1

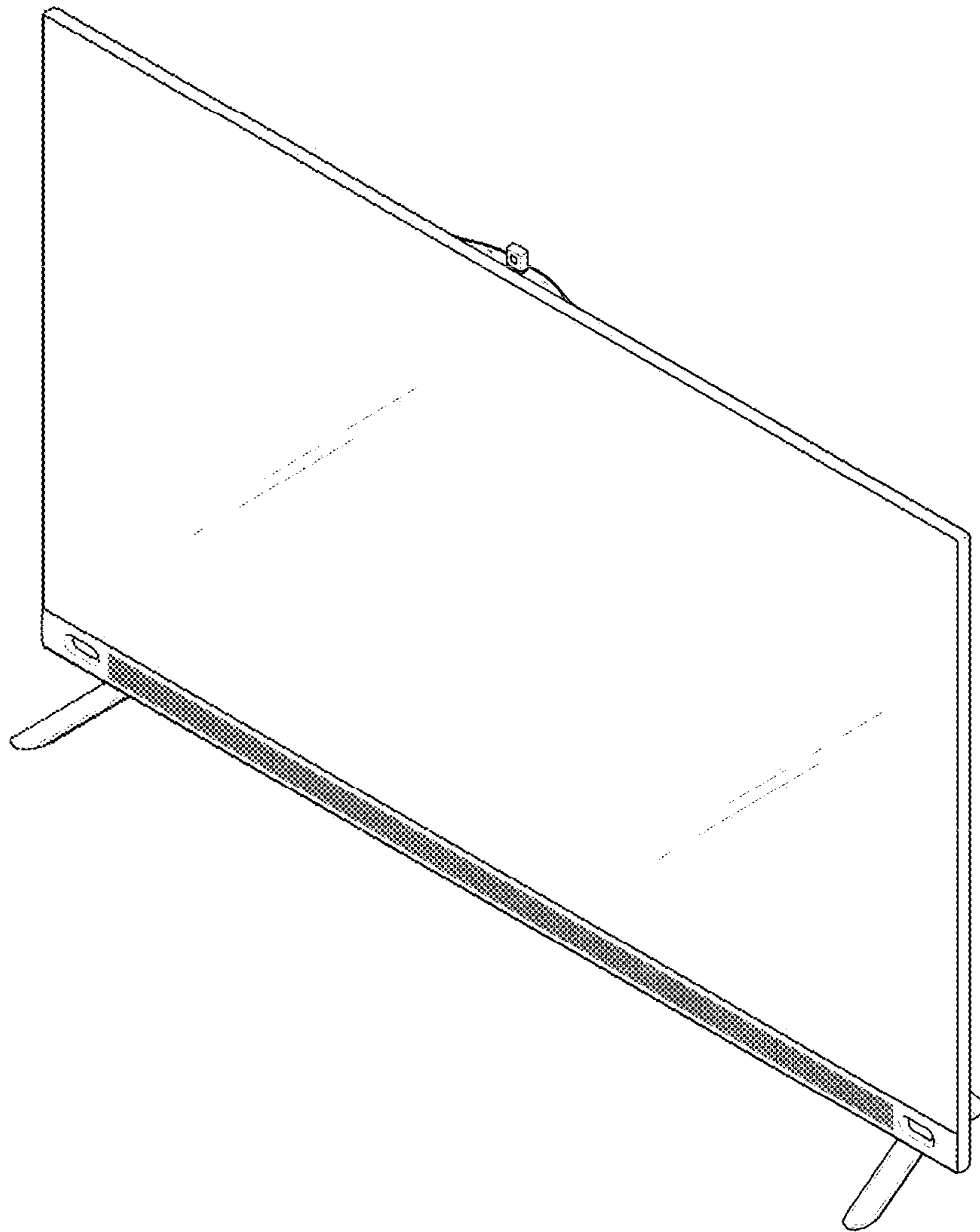


FIG. 2

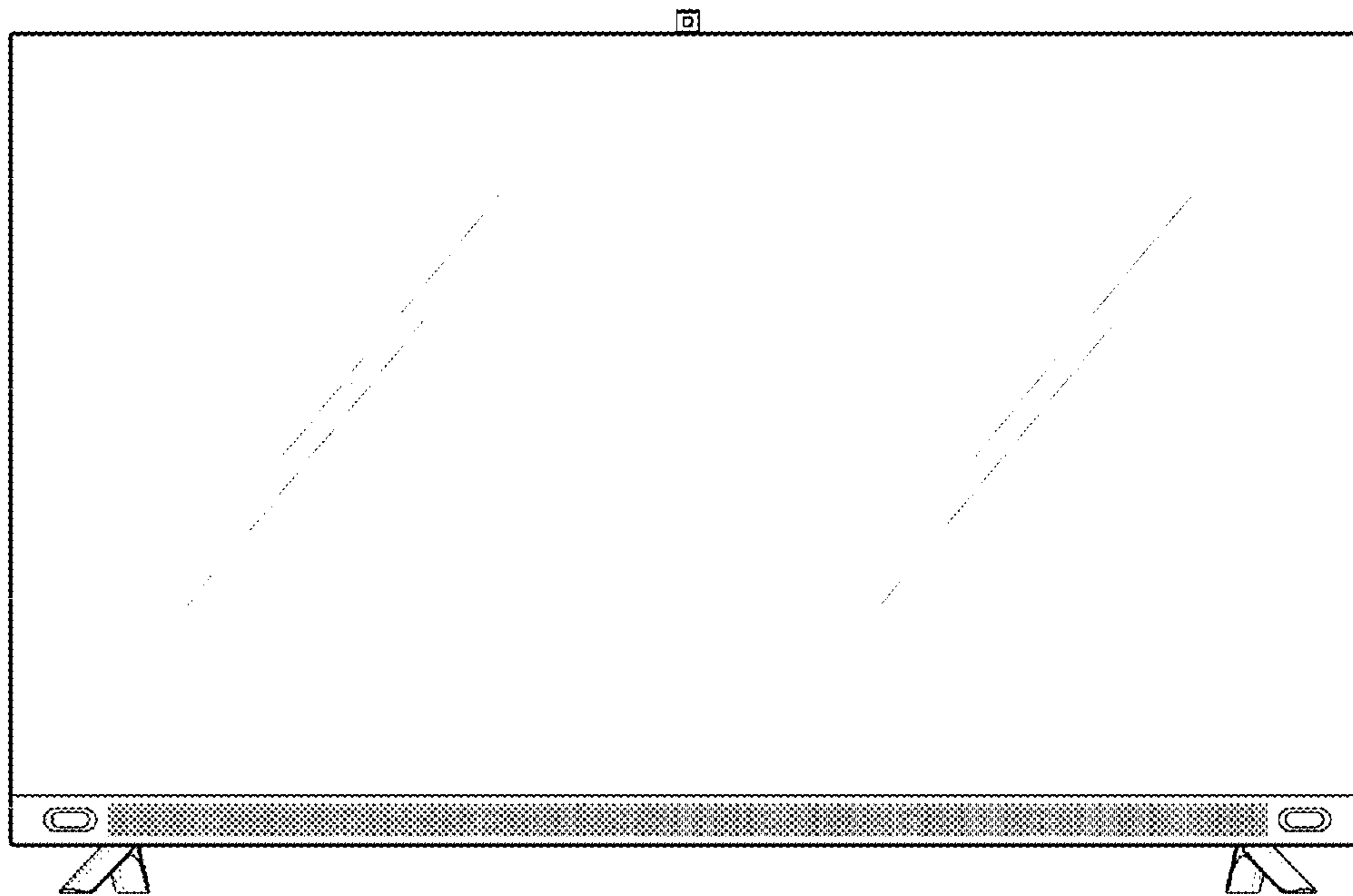


FIG. 3

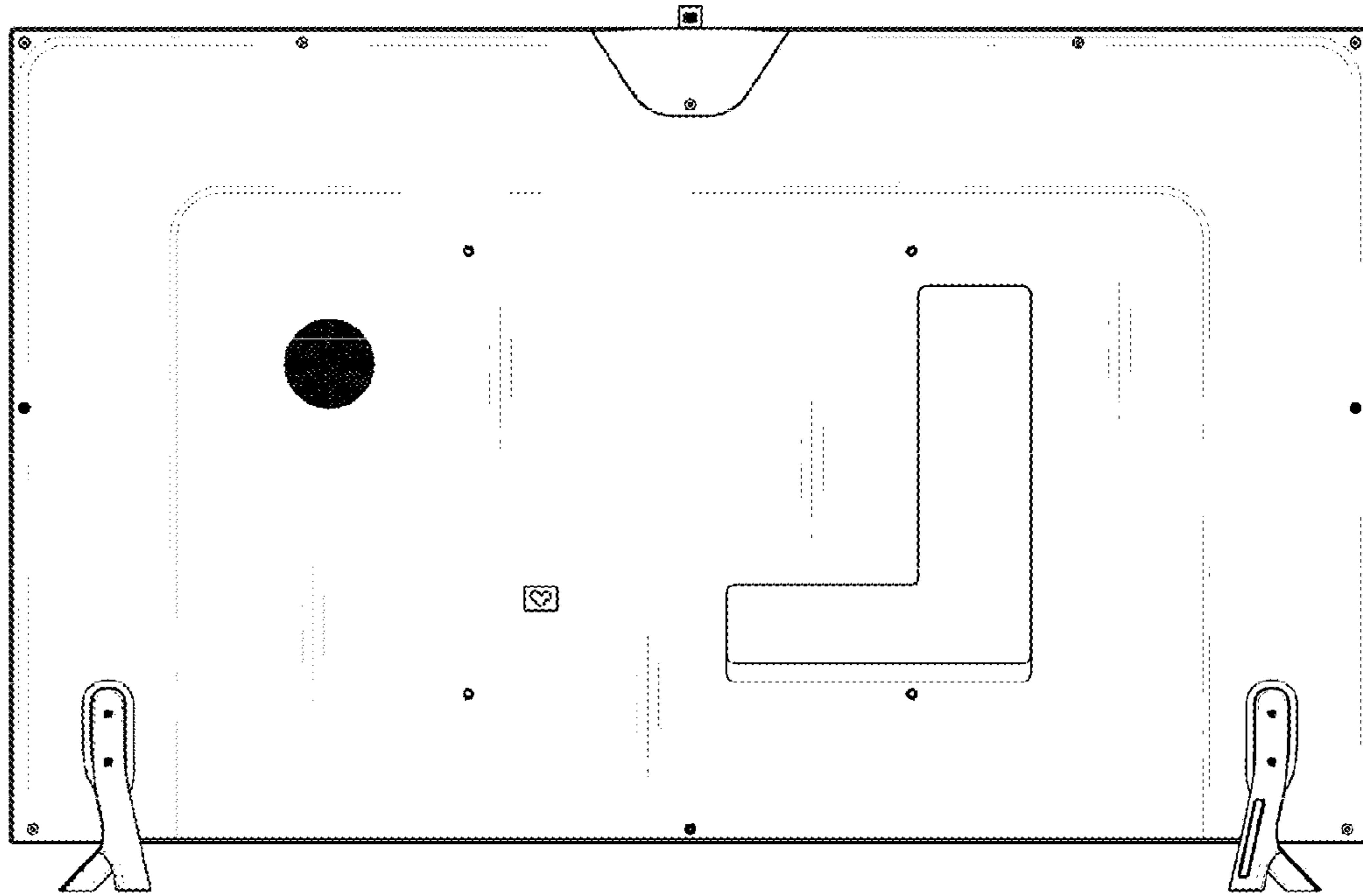


FIG. 4

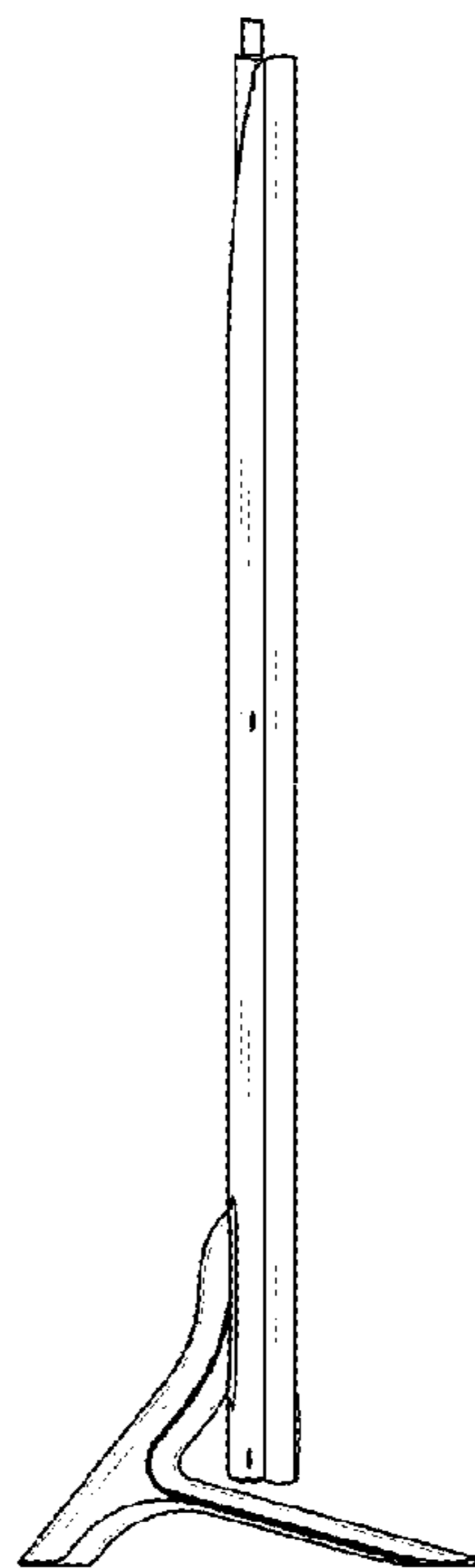


FIG. 5

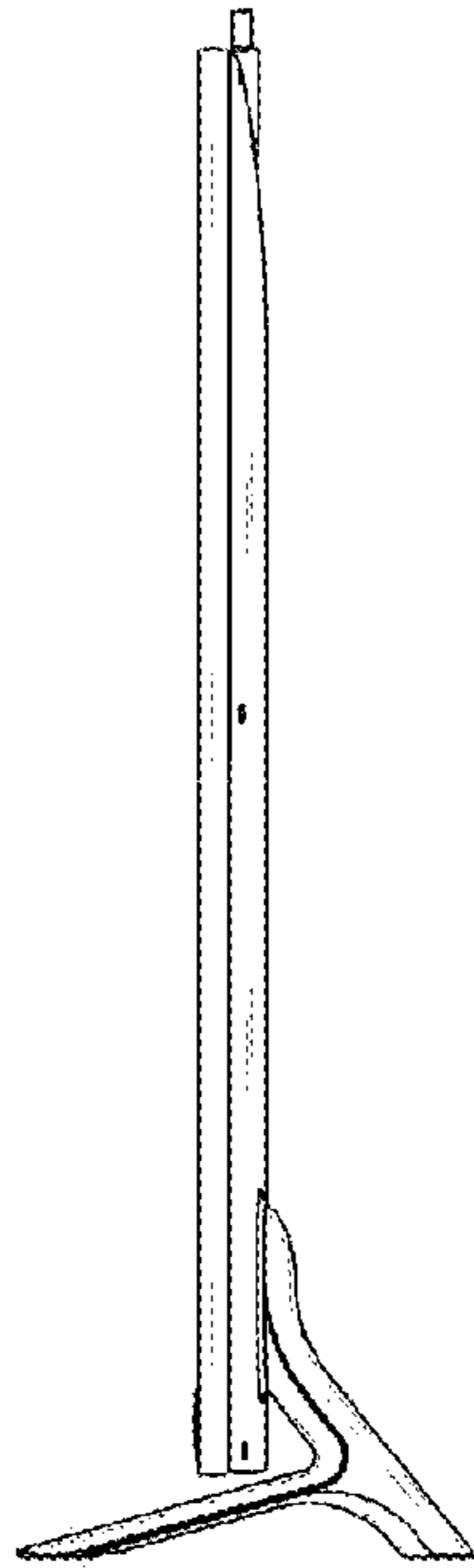


FIG. 6

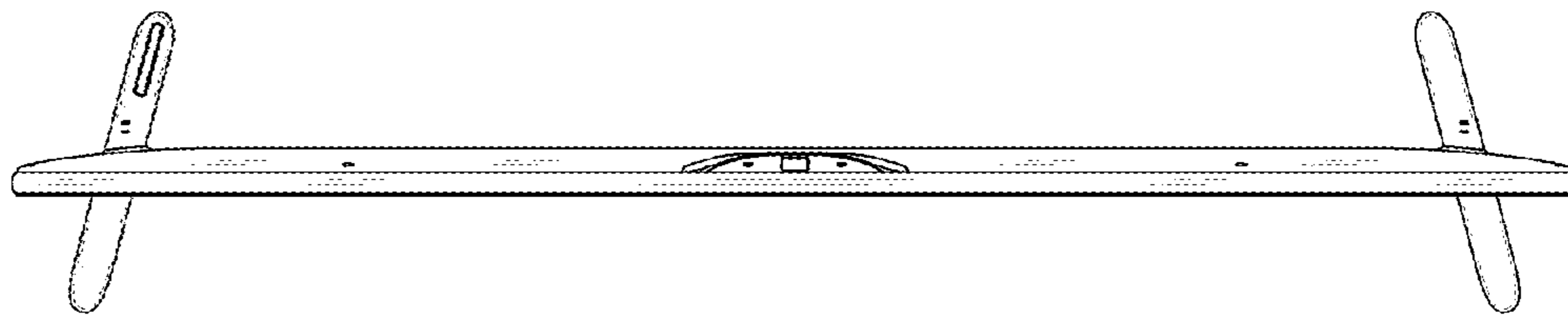


FIG. 7

