



US00D731988S

(12) **United States Design Patent**
Urtiga et al.

(10) **Patent No.:** **US D731,988 S**
(45) **Date of Patent:** **** Jun. 16, 2015**

- (54) **LED REPLACEMENT MODULE**
- (71) Applicant: **GE Lighting Solutions, LLC**, East Cleveland, OH (US)
- (72) Inventors: **Lucas Urtiga**, Laval (CA); **Florian Pop**, Lachine (CA); **Robert Spivock**, Lachine (CA)
- (73) Assignee: **GE LIGHTING SOLUTIONS, LLC**, East Cleveland, OH (US)
- (**) Term: **14 Years**
- (21) Appl. No.: **29/467,334**
- (22) Filed: **Sep. 18, 2013**
- (51) **LOC (10) Cl.** **13-03**
- (52) **U.S. Cl.**
USPC **D13/180**; D26/113
- (58) **Field of Classification Search**
USPC D13/180; D26/2, 3, 26, 28, 42, 113, D26/138; 257/79, 80, 81, 88, 89, 95, 98, 99, 257/100, E33.058; 313/483, 498, 500; 362/249.11, 800
See application file for complete search history.

| | | | | |
|--------------|------|---------|-----------------------|------------|
| D660,509 | S * | 5/2012 | Hsu et al. | D26/142 |
| D666,333 | S * | 8/2012 | Kim et al. | D26/2 |
| 8,348,476 | B2 * | 1/2013 | Fletcher et al. | 362/363 |
| D680,261 | S * | 4/2013 | Kong et al. | D26/113 |
| 8,491,163 | B2 * | 7/2013 | Higuchi et al. | 362/294 |
| D700,577 | S * | 3/2014 | Ding et al. | D13/134 |
| 8,783,938 | B2 * | 7/2014 | Alexander et al. | 362/655 |
| 2009/0034283 | A1 * | 2/2009 | Albright et al. | 362/545 |
| 2009/0147517 | A1 * | 6/2009 | Li et al. | 362/249.02 |
| 2009/0201683 | A1 * | 8/2009 | Chuan | 362/294 |
| 2010/0033972 | A1 * | 2/2010 | Maglica et al. | 362/294 |
| 2011/0019409 | A1 * | 1/2011 | Wronski | 362/235 |
| 2011/0063849 | A1 * | 3/2011 | Alexander et al. | 362/294 |
| 2011/0140147 | A1 * | 6/2011 | Chen et al. | 257/98 |
| 2011/0193111 | A1 * | 8/2011 | Seo et al. | 257/89 |
| 2012/0267653 | A1 * | 10/2012 | Harbers et al. | 257/89 |
| 2012/0327665 | A1 * | 12/2012 | Pickard et al. | 362/294 |
| 2013/0272016 | A1 * | 10/2013 | Weaver | 362/555 |

* cited by examiner

Primary Examiner — Selina Sikder

(74) *Attorney, Agent, or Firm* — GE Global Patent Operation; Peter T. DiMauro

(57) **CLAIM**

We claim the ornamental design for a LED replacement module, as shown and described.

DESCRIPTION

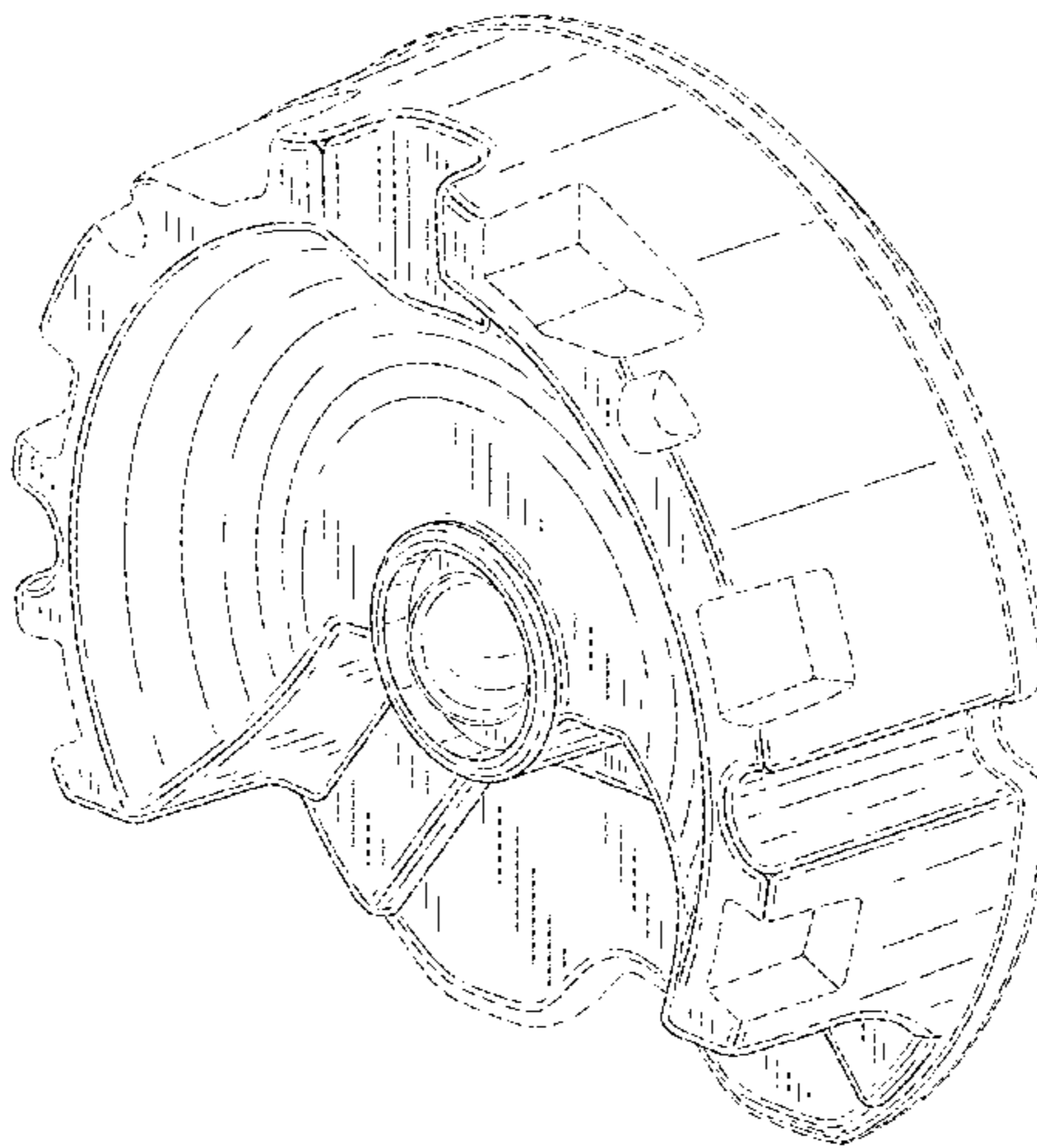
FIG. 1 is a front perspective view of a LED replacement module in accordance with the present design;
 FIG. 2 is a rear perspective view thereof;
 FIG. 3 is a front elevation view thereof;
 FIG. 4 is a rear elevation view thereof;
 FIG. 5 is a top plan view thereof;
 FIG. 6 is a bottom plan view thereof;
 FIG. 7 is a right side elevation view thereof; and,
 FIG. 8 is a left side elevation view thereof.
 The broken lines are for illustrative purposes only and form no part of the claimed design. Any shading forms no part of the claimed design and is provided to illustrate contour only and is not an indication of texture, gloss, and the like.

1 Claim, 6 Drawing Sheets

(56) **References Cited**

U.S. PATENT DOCUMENTS

| | | | | |
|-----------|------|---------|-----------------------|------------|
| D415,104 | S * | 10/1999 | Klaus et al. | D13/134 |
| D448,096 | S * | 9/2001 | Choi | D26/3 |
| 6,435,459 | B1 | 8/2002 | Sanderson et al. | |
| 6,787,999 | B2 * | 9/2004 | Stimac et al. | 315/51 |
| D568,832 | S * | 5/2008 | Kang et al. | D13/180 |
| 7,396,146 | B2 * | 7/2008 | Wang | 362/294 |
| D586,765 | S * | 2/2009 | Won et al. | D13/180 |
| D598,873 | S * | 8/2009 | Tseng | D13/180 |
| D602,869 | S * | 10/2009 | Vogt et al. | D13/134 |
| 7,824,076 | B2 * | 11/2010 | Koester | 362/294 |
| 8,026,529 | B2 * | 9/2011 | Huang | 257/98 |
| 8,052,310 | B2 * | 11/2011 | Gingrinch et al. | 362/311.02 |
| D650,518 | S * | 12/2011 | Fletcher et al. | D26/138 |
| 8,152,336 | B2 * | 4/2012 | Alexander et al. | 362/249.11 |
| D659,893 | S * | 5/2012 | Ding et al. | D26/113 |



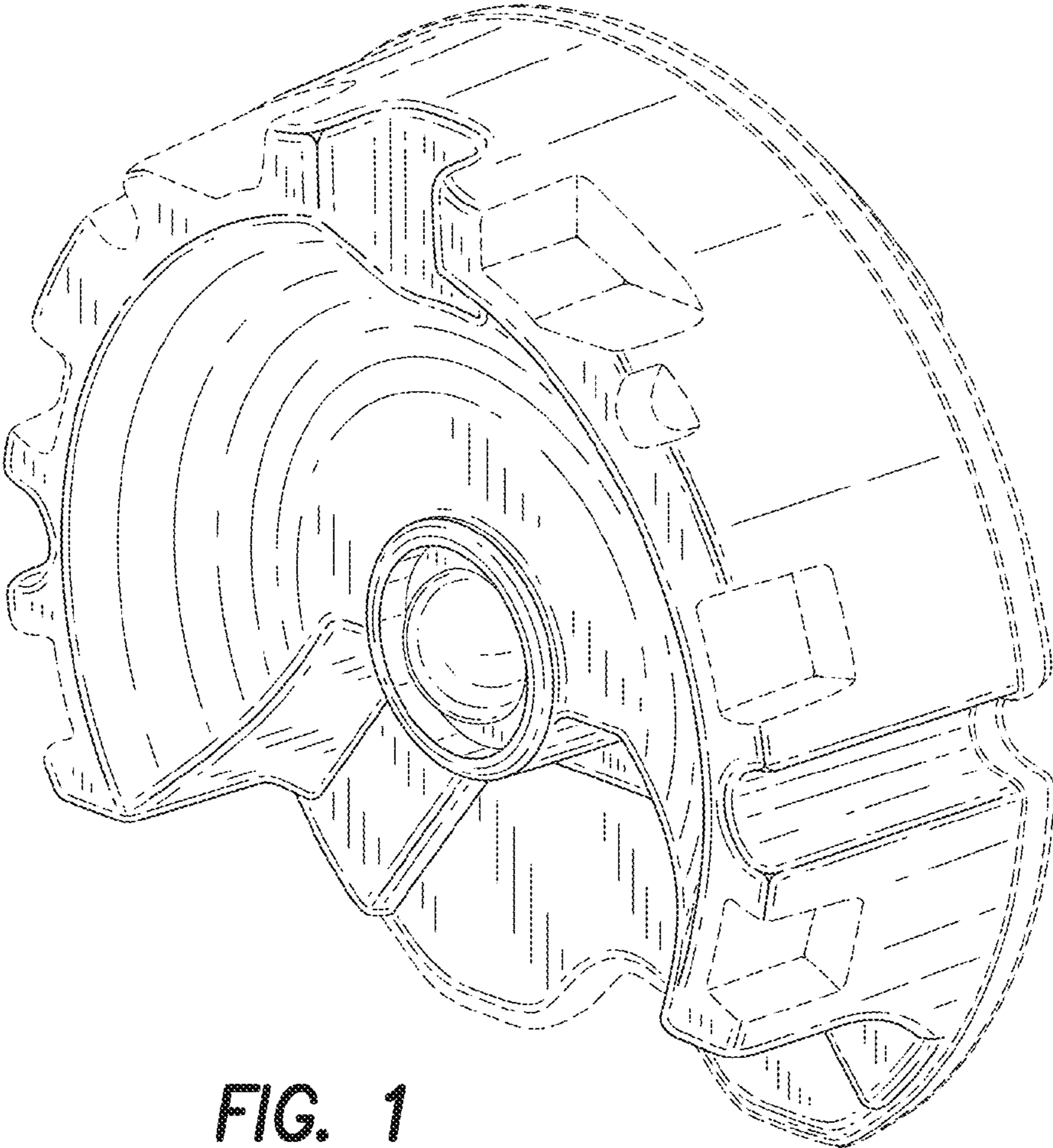


FIG. 1

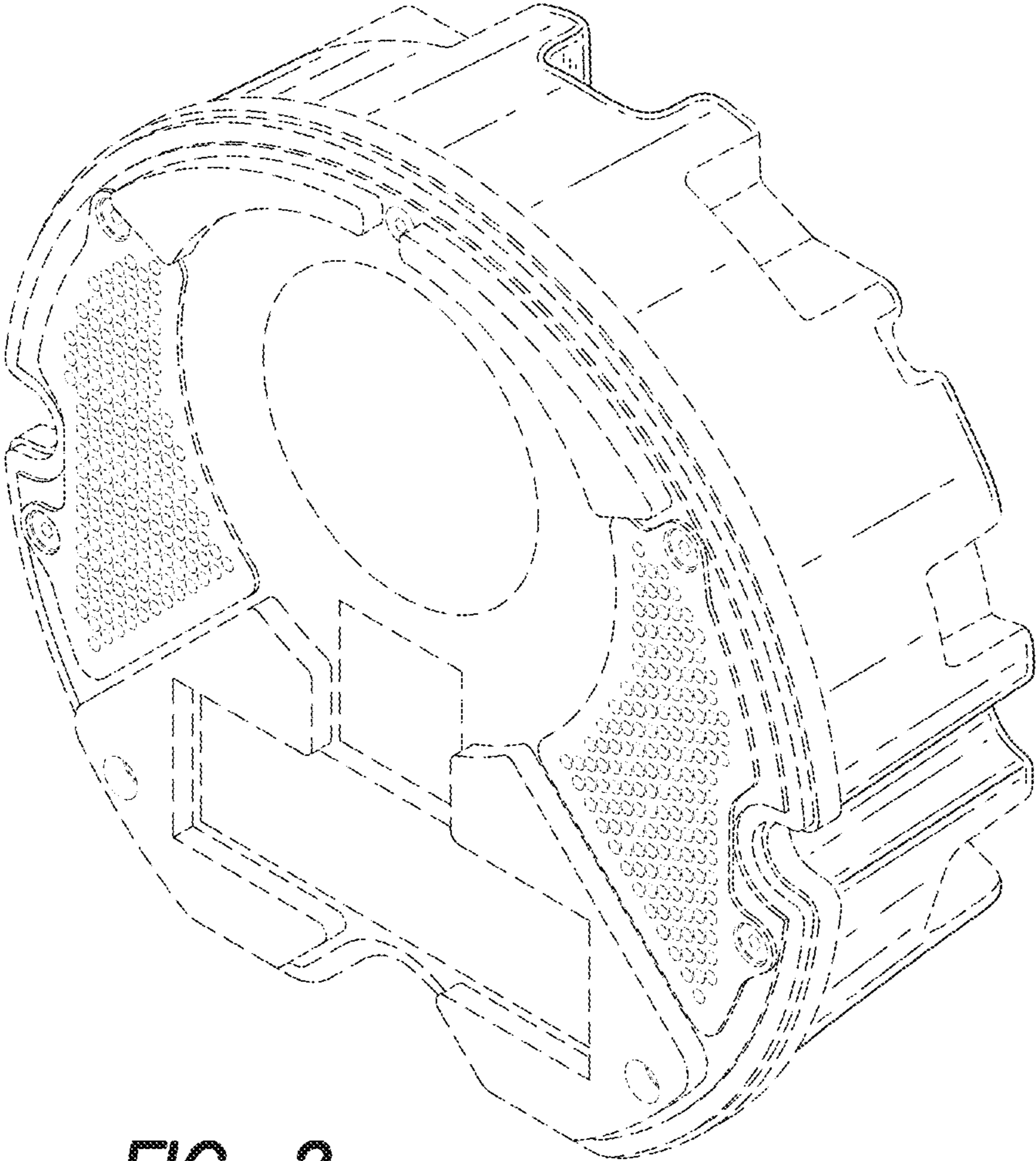


FIG. 2

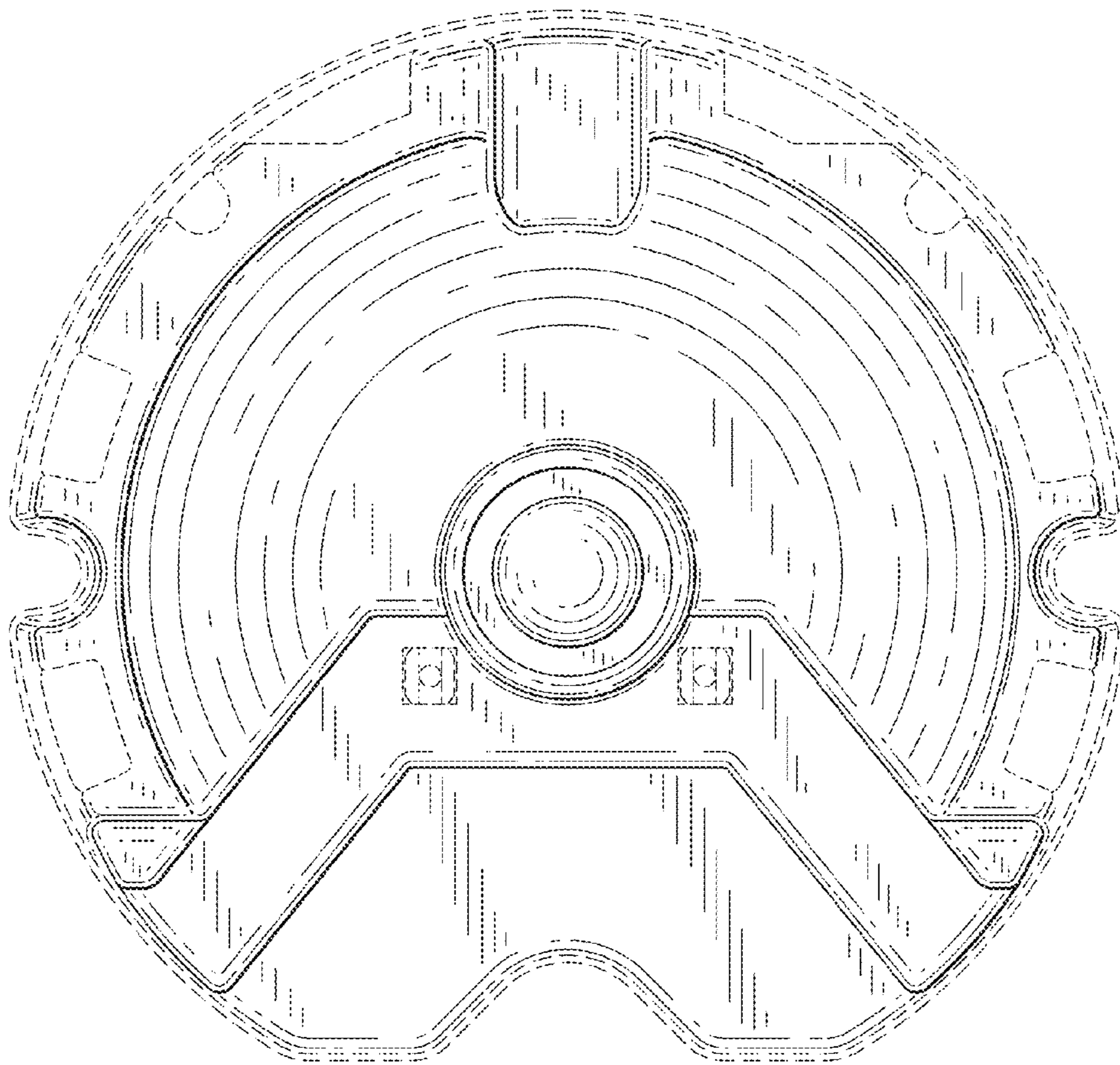


FIG. 3

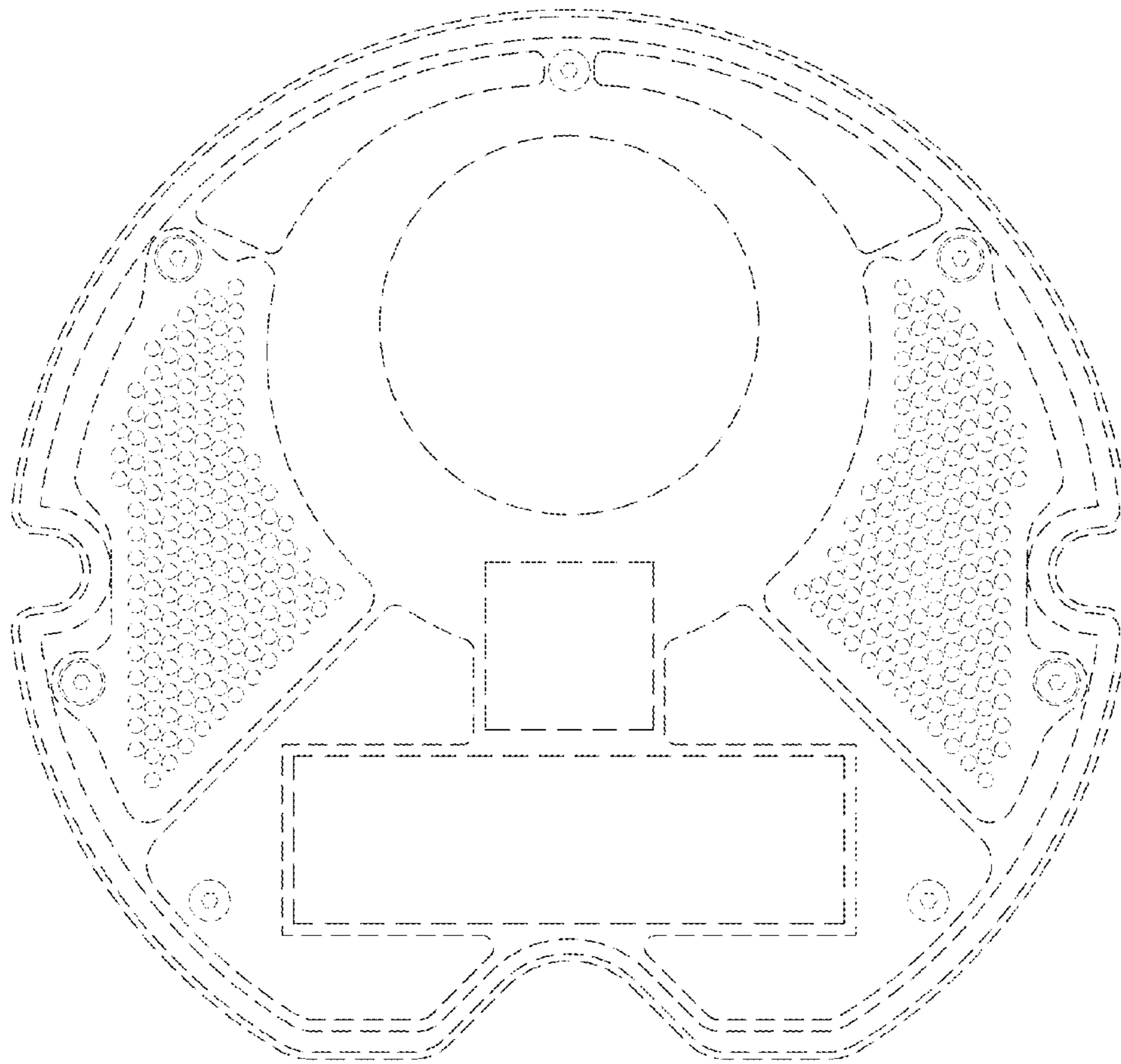


FIG. 4

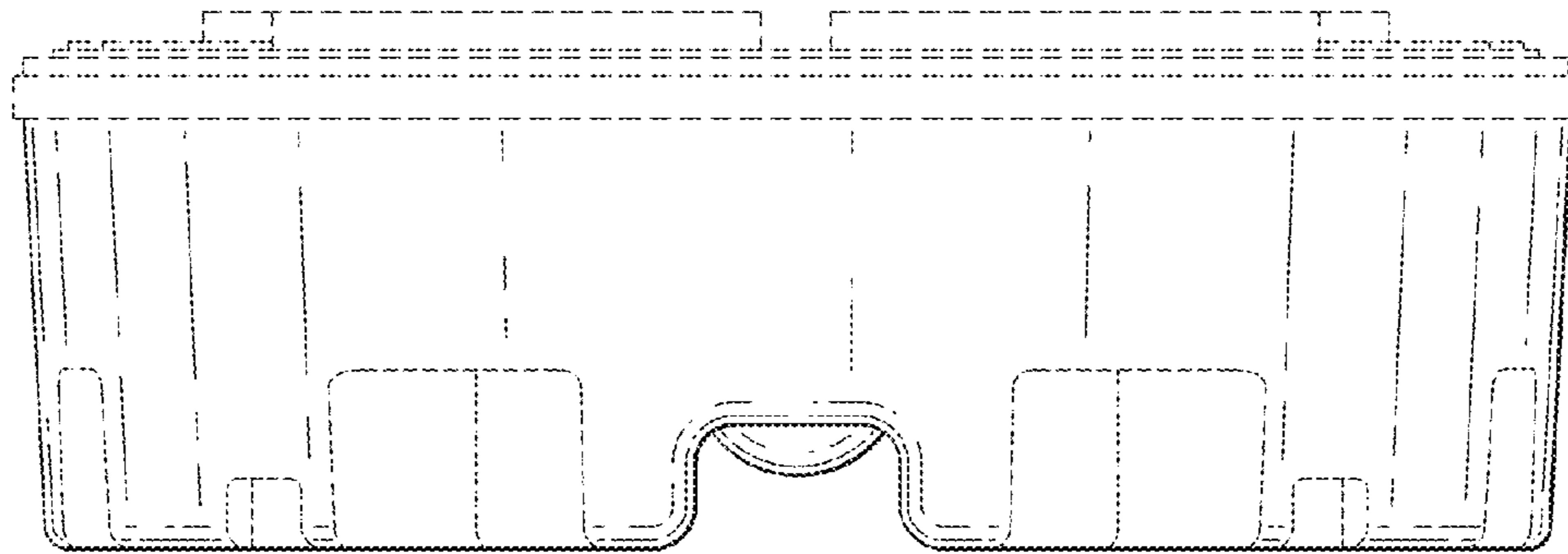


FIG. 5

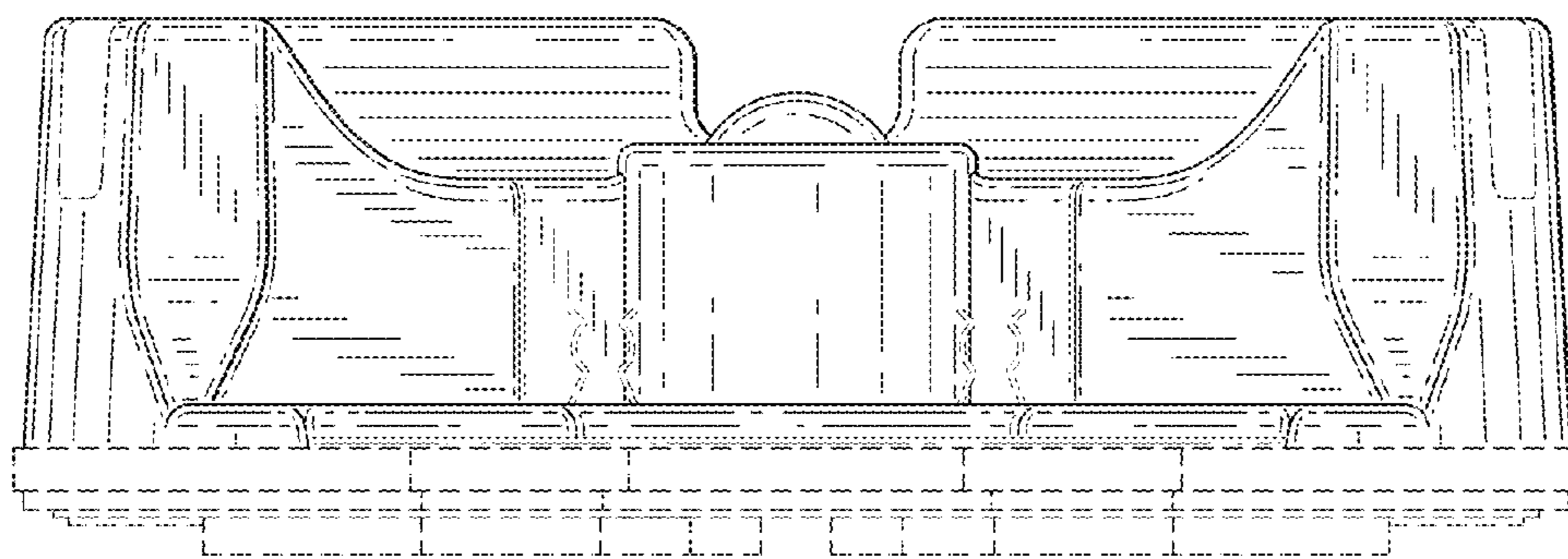


FIG. 6

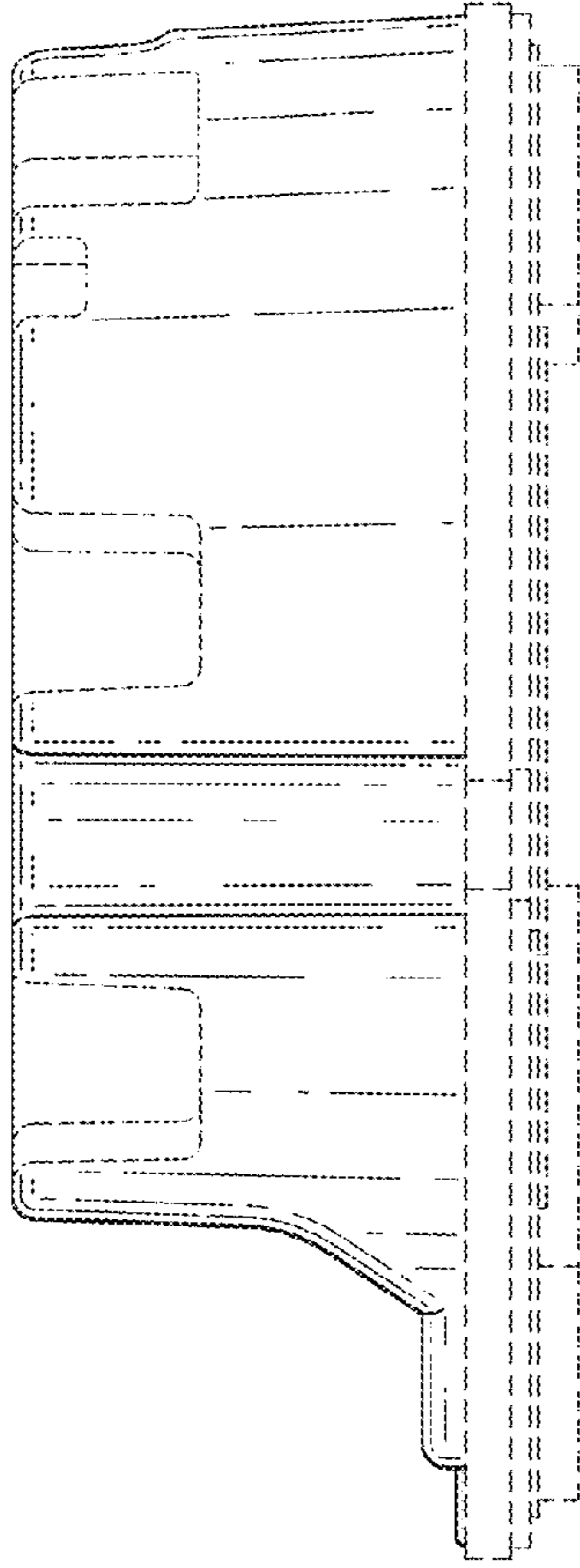


FIG. 7

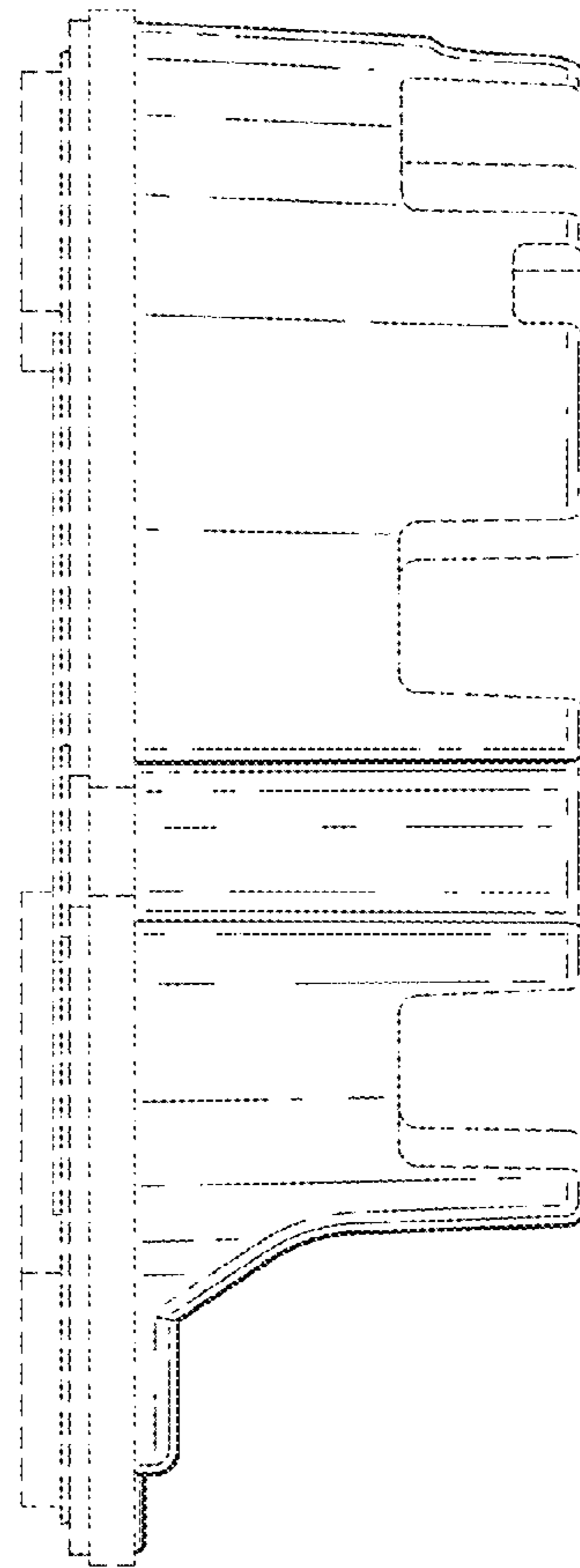


FIG. 8