



US00D731981S

(12) **United States Design Patent**
Teramoto

(10) **Patent No.:** **US D731,981 S**
(45) **Date of Patent:** **** Jun. 16, 2015**

(54) **ELECTRICAL CONNECTOR HOUSING**

(71) Applicant: **Sumitomo Wiring Systems, Ltd.**,
Mie-ken (JP)

(72) Inventor: **Keisuke Teramoto**, Yokkaichi (JP)

(73) Assignee: **Sumitomo Wiring Systems, Ltd.** (JP)

(**) Term: **14 Years**

(21) Appl. No.: **29/481,742**

(22) Filed: **Feb. 10, 2014**

(30) **Foreign Application Priority Data**

Aug. 29, 2013 (JP) 2013-019917

(51) **LOC (10) Cl.** **13-03**

(52) **U.S. Cl.**
USPC **D13/147**

(58) **Field of Classification Search**
USPC D13/147, 154, 184, 199; 439/352, 354,
439/357, 358, 374, 594, 598, 656, 680, 711,
439/745, 752
See application file for complete search history.

(56) **References Cited**

U.S. PATENT DOCUMENTS

D317,148 S * 5/1991 Kozono et al. D13/146
D325,372 S * 4/1992 Taguchi et al. D13/147

D425,869 S * 5/2000 Yokomizo et al. D13/147
D459,311 S * 6/2002 Chen D13/147
D605,132 S * 12/2009 Tanaka et al. D13/147
D605,134 S * 12/2009 Tanaka et al. D13/147
D620,890 S * 8/2010 Tanaka et al. D13/147
D620,891 S * 8/2010 Tanaka et al. D13/147

* cited by examiner

Primary Examiner — Daniel Bui

(74) *Attorney, Agent, or Firm* — Schwegman Lundberg & Woessner, P.A.

(57) **CLAIM**

The ornamental design for an electrical connector housing, as shown and described.

DESCRIPTION

FIG. 1 is a front, top and right side perspective view of an electrical connector housing showing my new design; FIG. 2 is a rear, bottom and left side perspective view thereof; FIG. 3 is a front view thereof; FIG. 4 is a rear view thereof; FIG. 5 is a top plan view thereof; FIG. 6 is a bottom plan view thereof; FIG. 7 is a right side view thereof; and, FIG. 8 is a left side view thereof. The broken line in the drawings is included to show unclaimed environment only and forms no part of the claimed design.

1 Claim, 6 Drawing Sheets

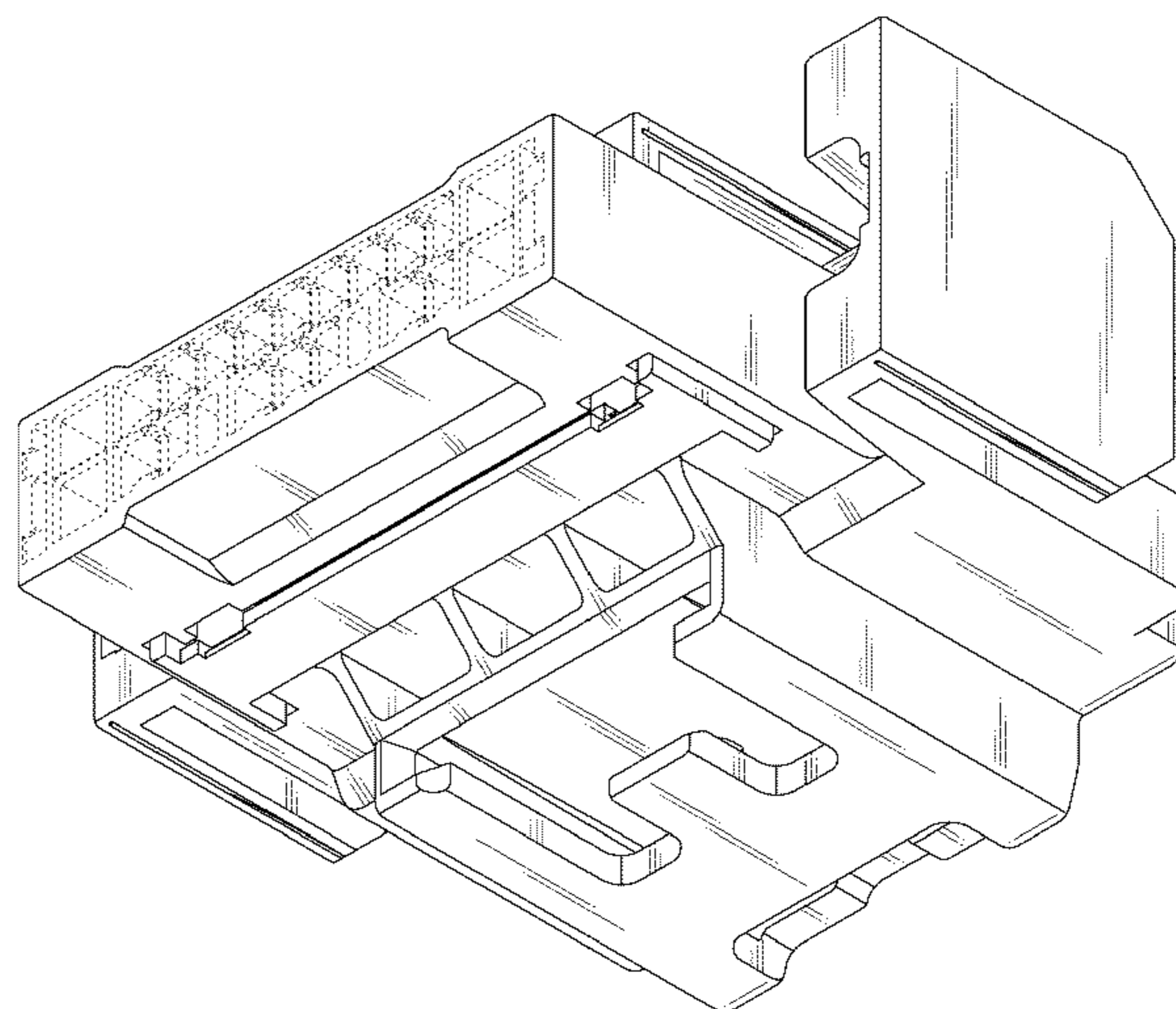
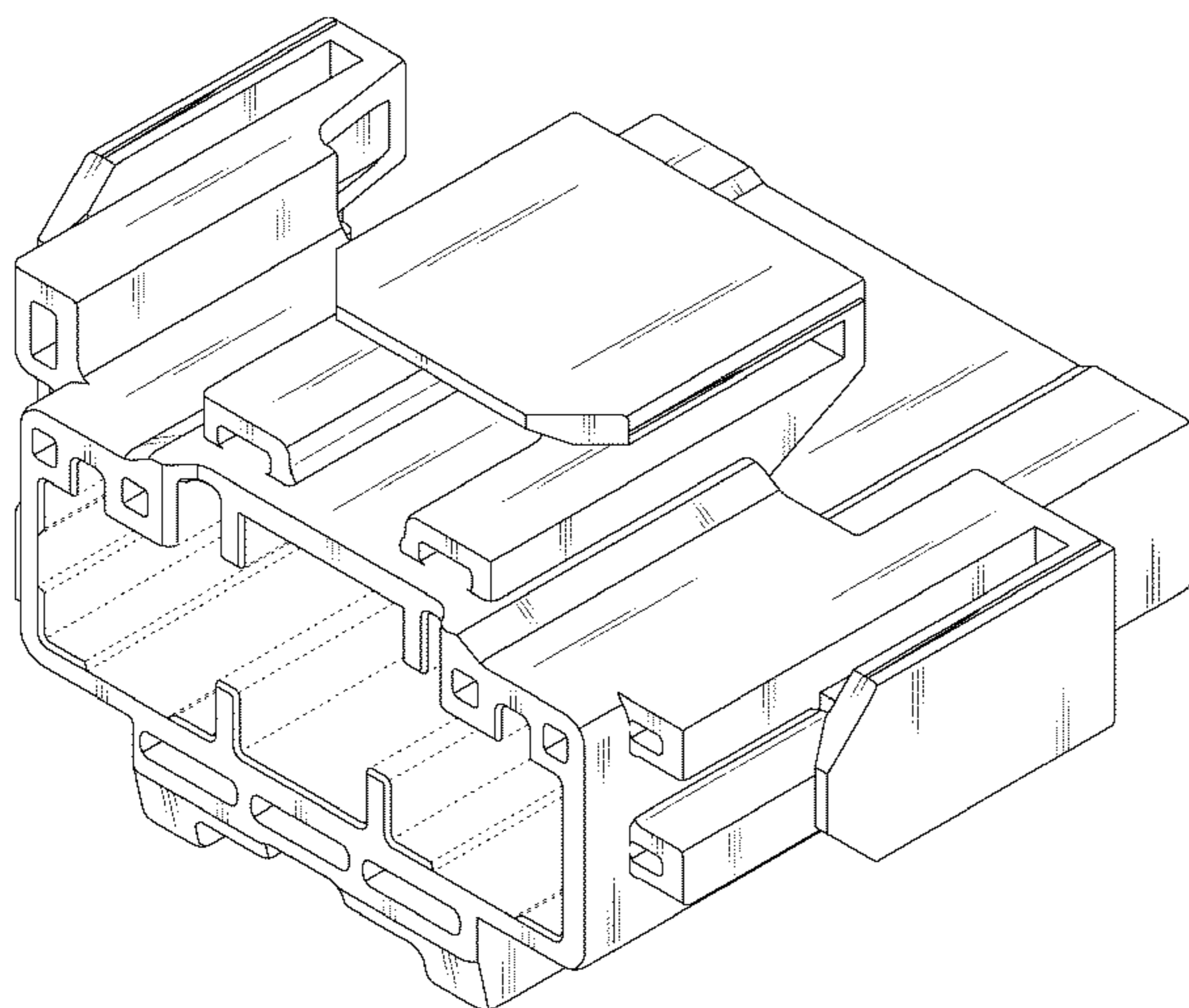


FIG. 1

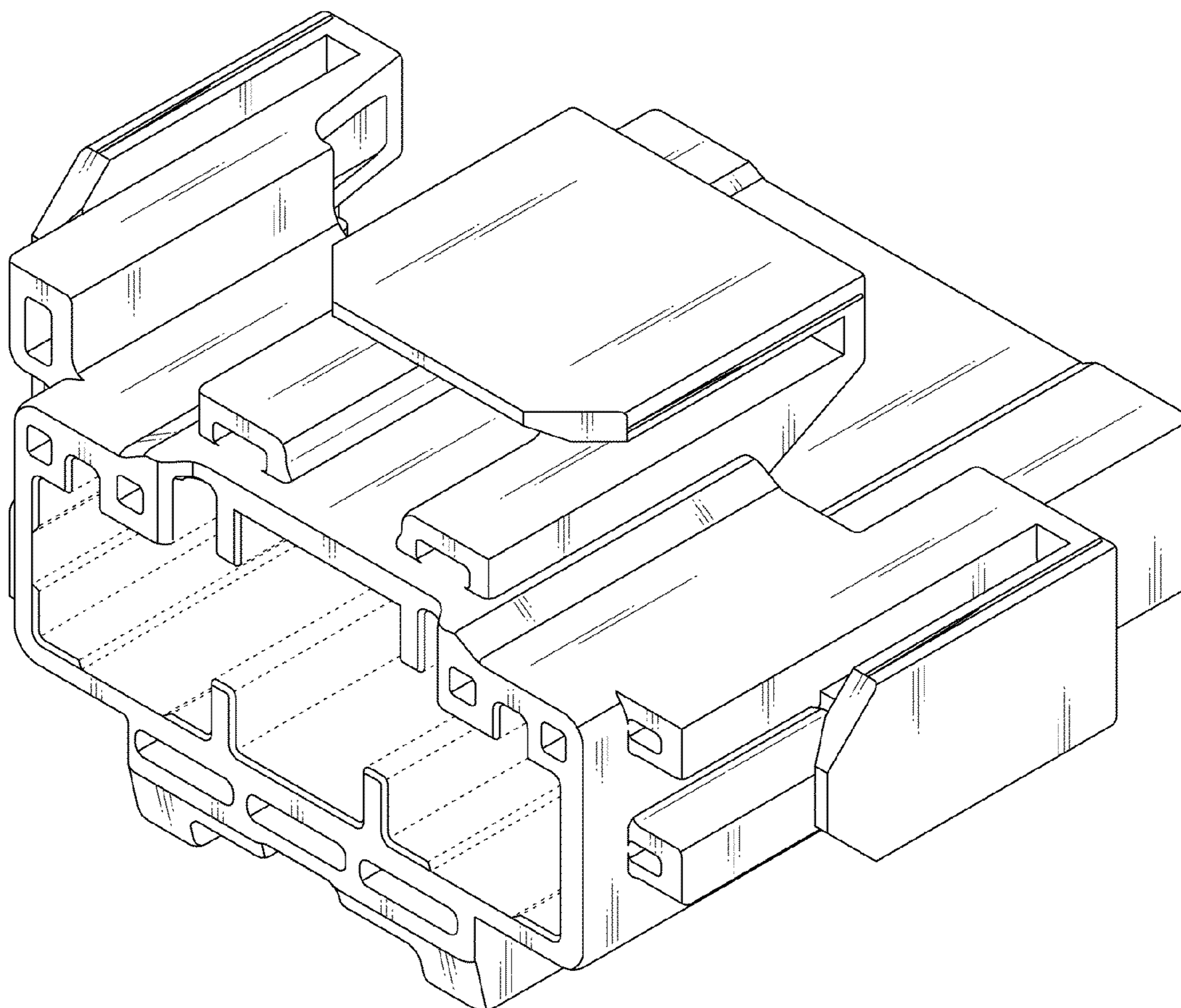


FIG. 2

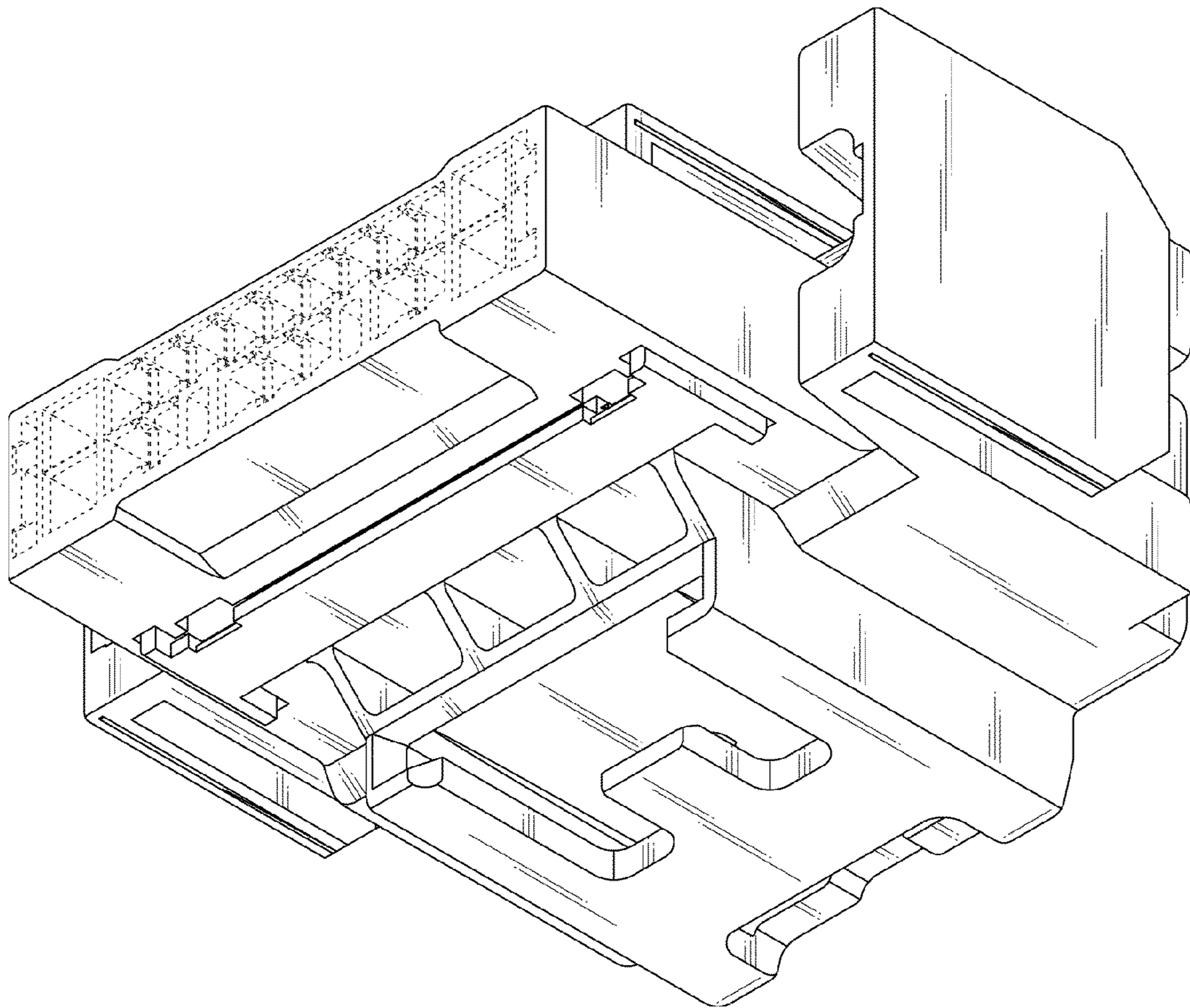


FIG. 3

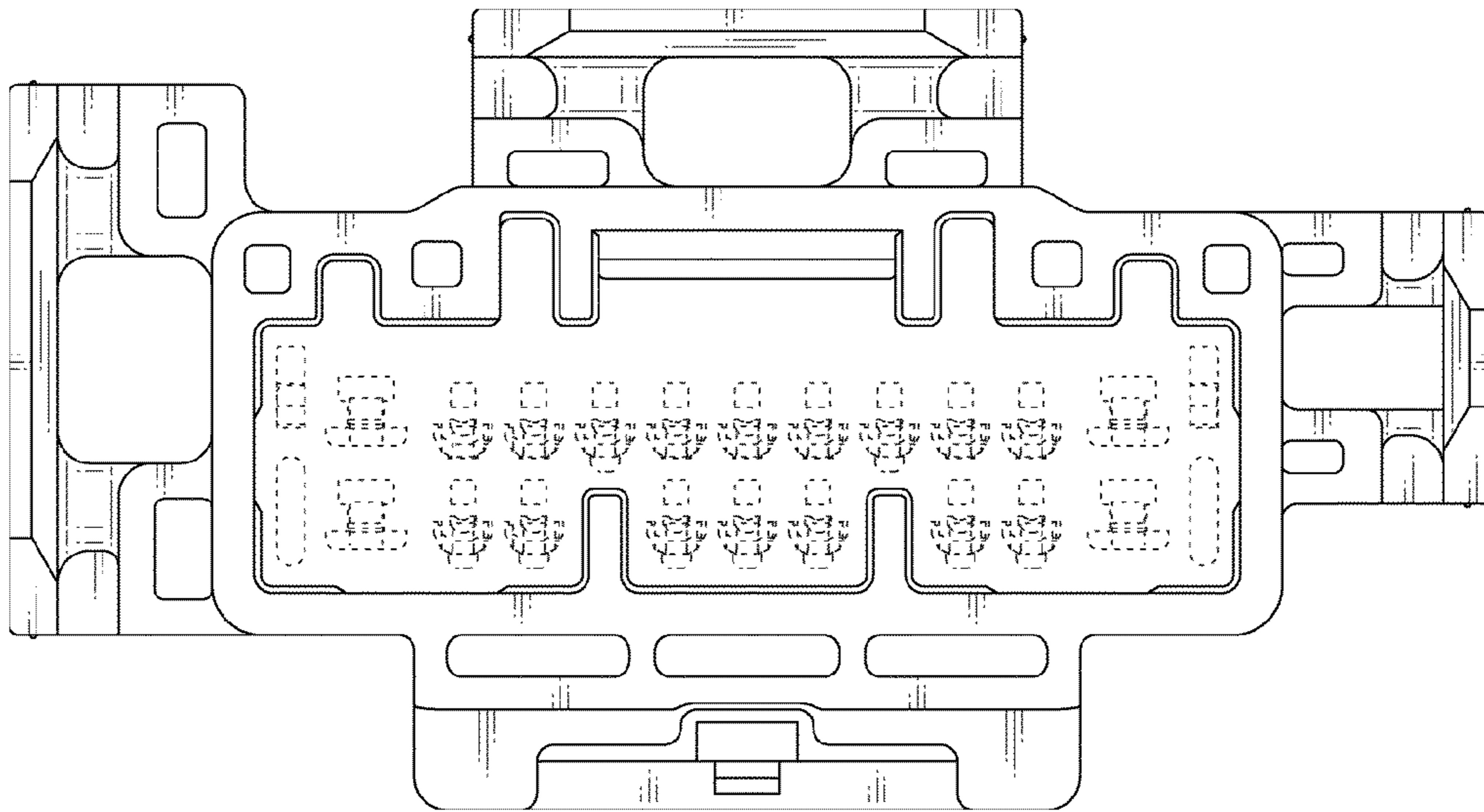


FIG. 4

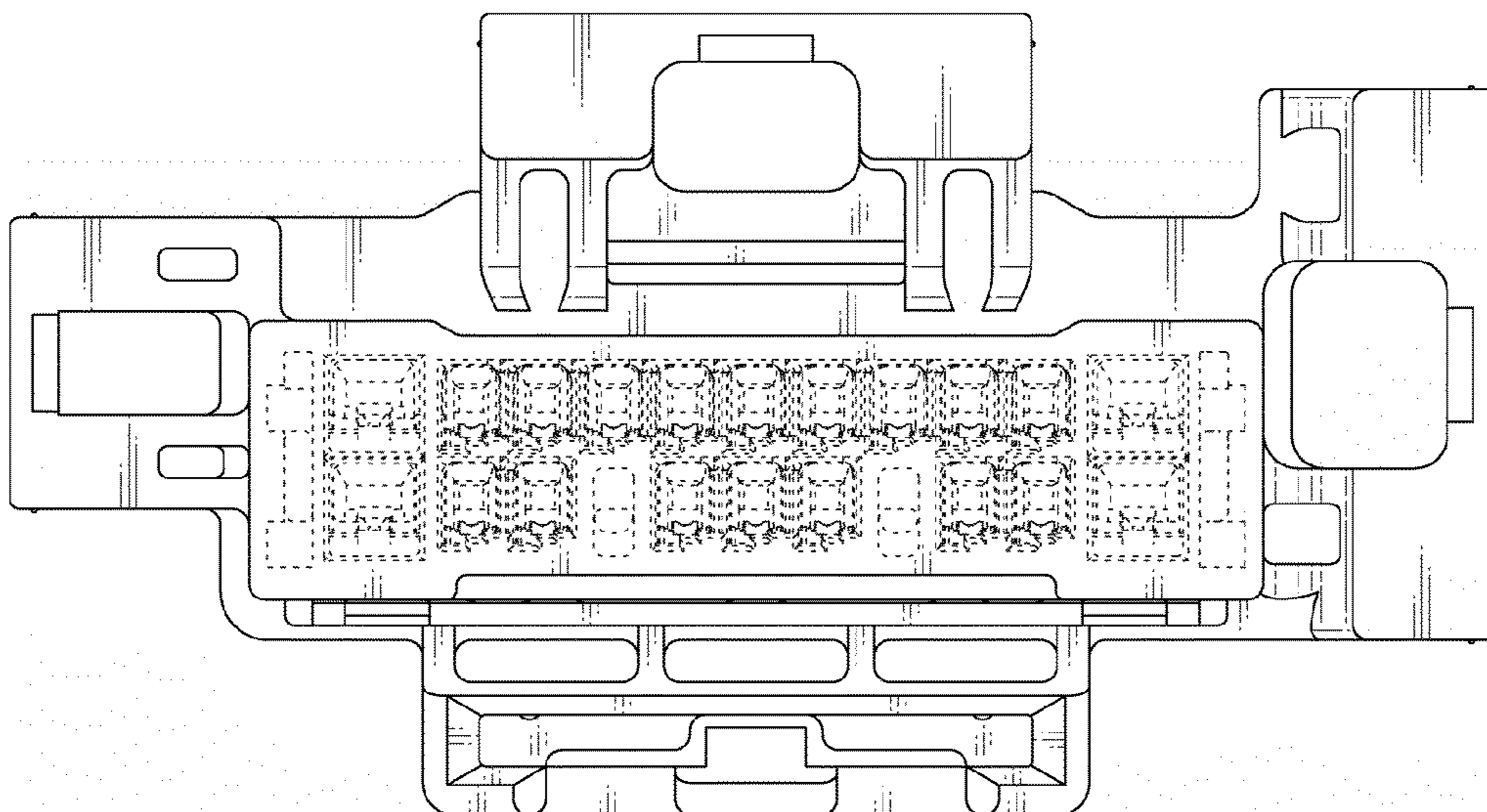


FIG. 5

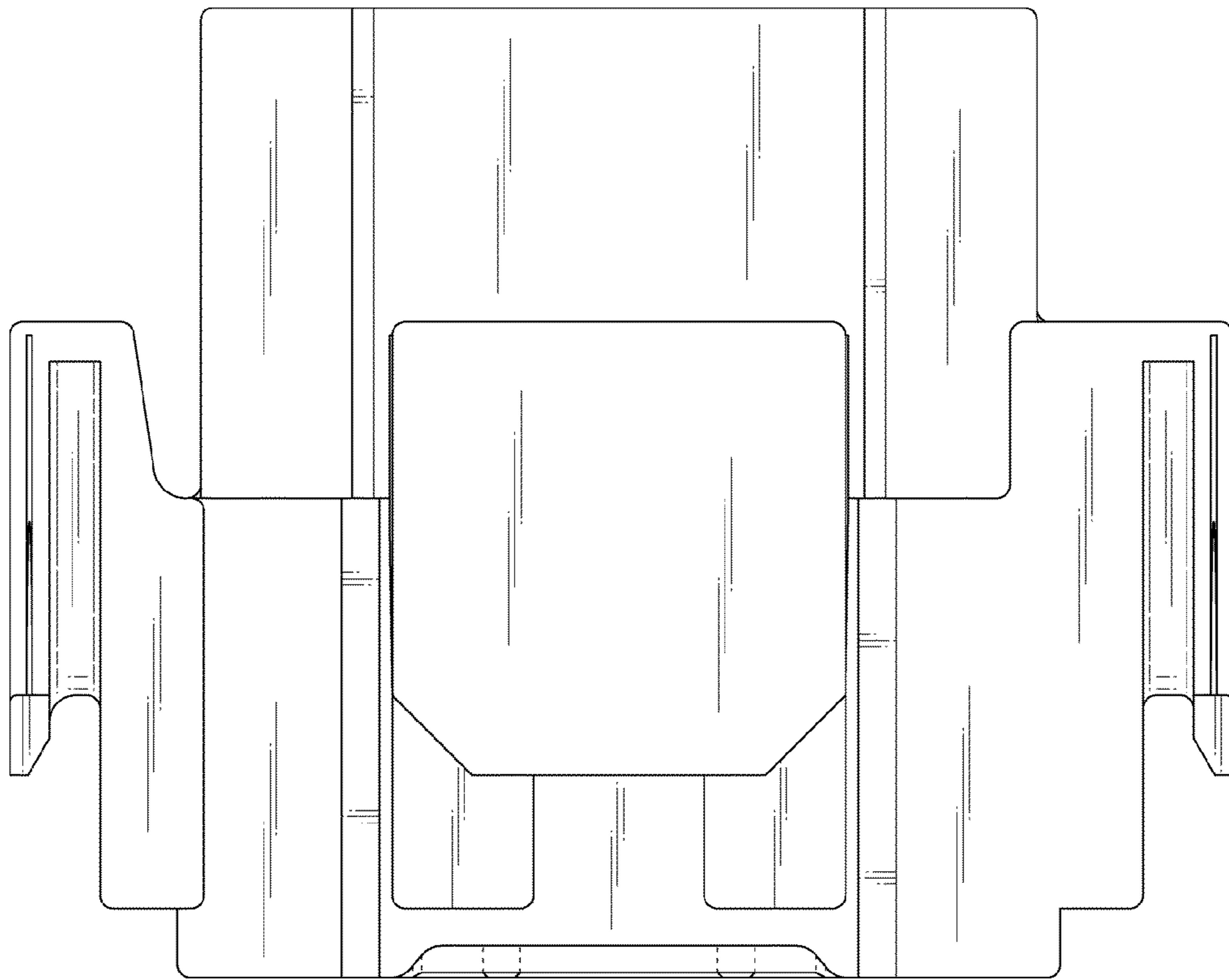


FIG. 6

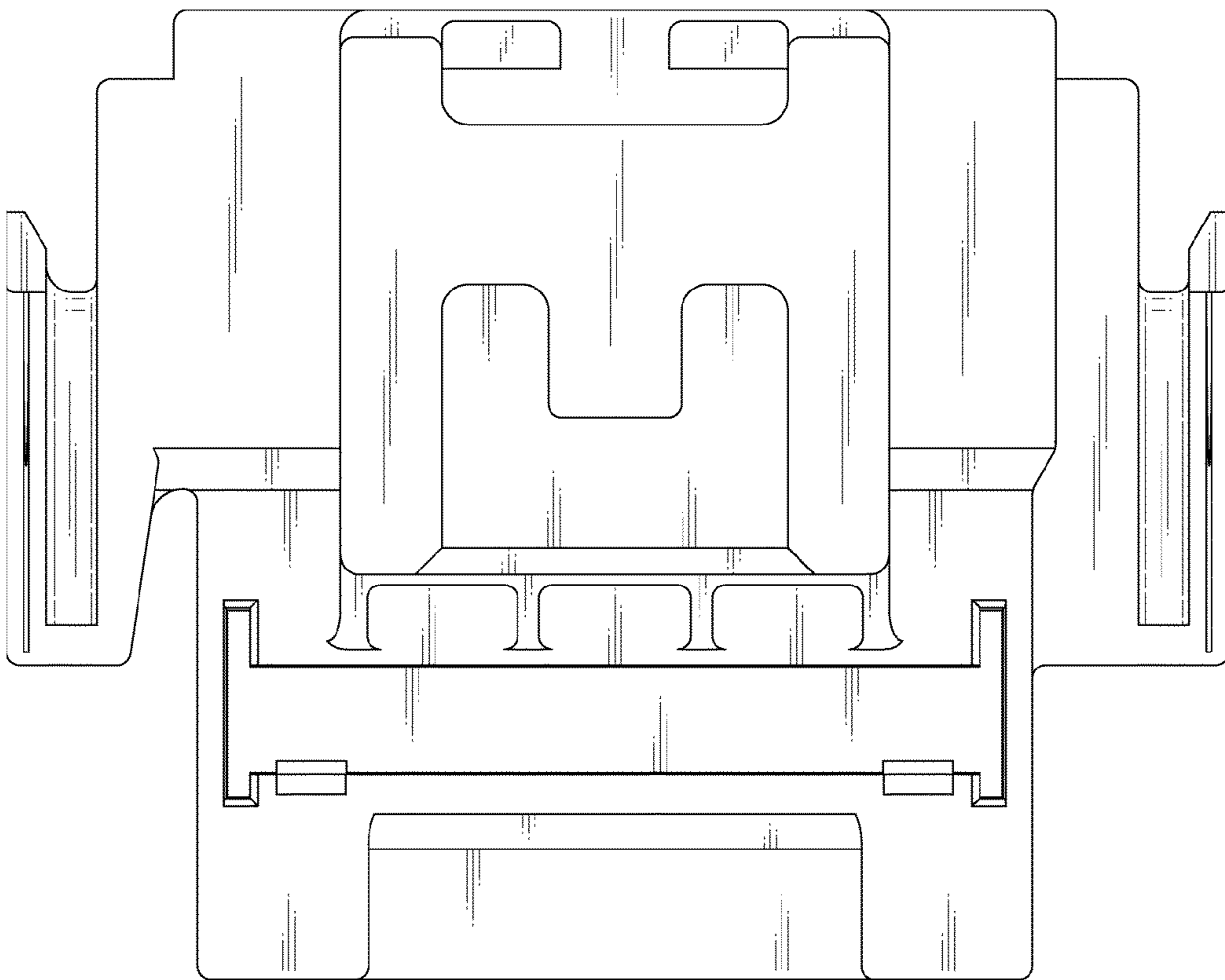


FIG. 7

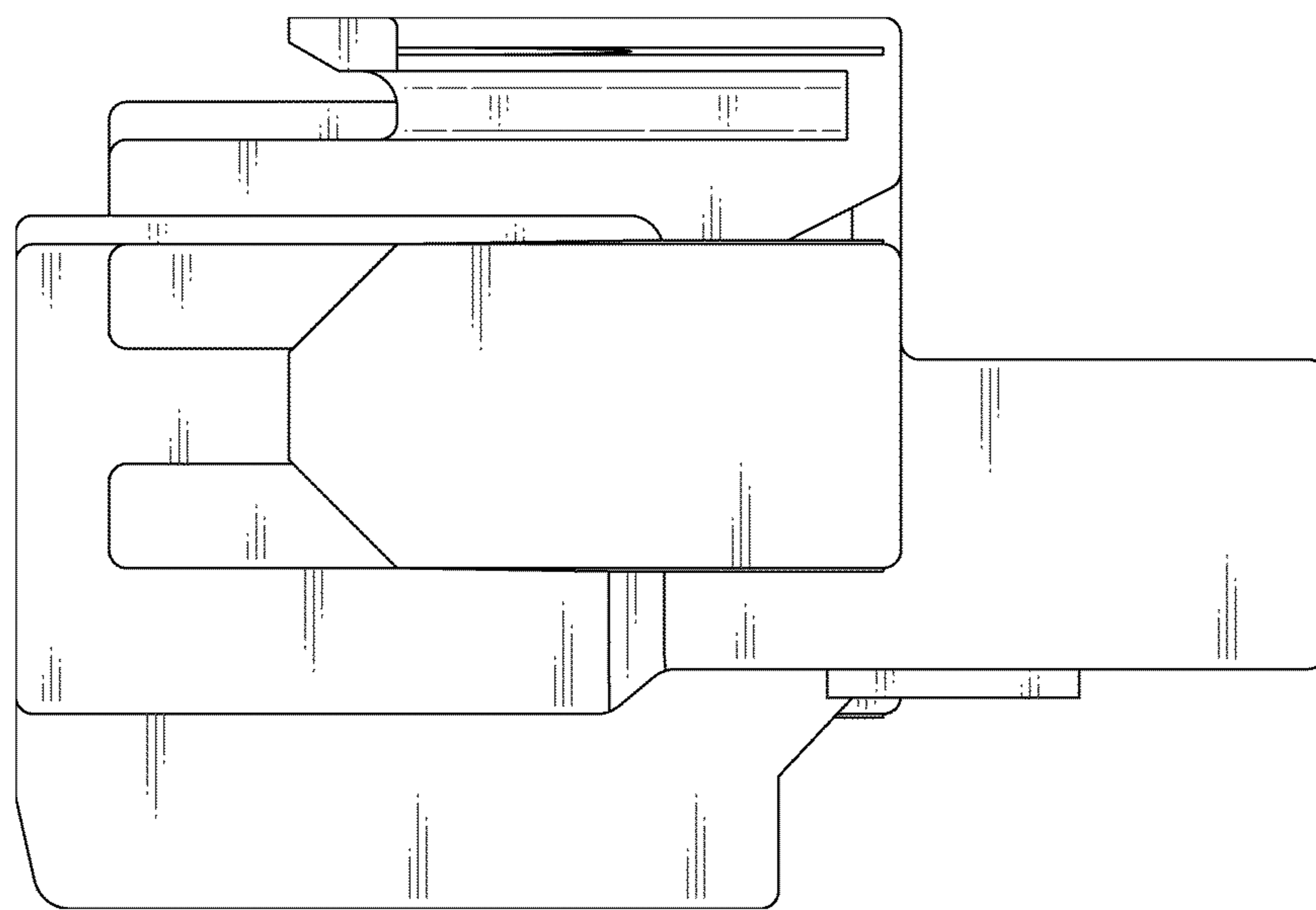


FIG. 8

