



US00D731979S

(12) **United States Design Patent**
Edwards et al.

(10) **Patent No.:** **US D731,979 S**
(45) **Date of Patent:** **** Jun. 16, 2015**

- (54) **HUB**
- (71) Applicant: **Square, Inc.**, San Francisco, CA (US)
- (72) Inventors: **Troy Edwards**, Los Gatos, CA (US);
Lukas Skoog, San Francisco, CA (US)
- (73) Assignee: **Square, Inc.**, San Francisco, CA (US)
- (**) Term: **14 Years**
- (21) Appl. No.: **29/447,342**
- (22) Filed: **Mar. 1, 2013**
- (51) **LOC (10) Cl.** **13-03**
- (52) **U.S. Cl.**
USPC **D13/147; D13/146**
- (58) **Field of Classification Search**
USPC D13/107, 108, 110, 146, 147, 153, 154;
D14/299, 432, 433, 439
See application file for complete search history.

- 6,722,917 B2 * 4/2004 Huang 439/501
- D592,138 S * 5/2009 Mahaffey et al. D13/123
- D628,150 S * 11/2010 Wegener et al. D13/108
- D701,172 S * 3/2014 Evers et al. D13/147
- D704,629 S * 5/2014 Liu D13/108

* cited by examiner

Primary Examiner — Daniel Bui

(74) *Attorney, Agent, or Firm* — Novak Druce Connolly
Bove + Quigg LLP

(57) **CLAIM**

The ornamental design for a hub, substantially as shown and described.

DESCRIPTION

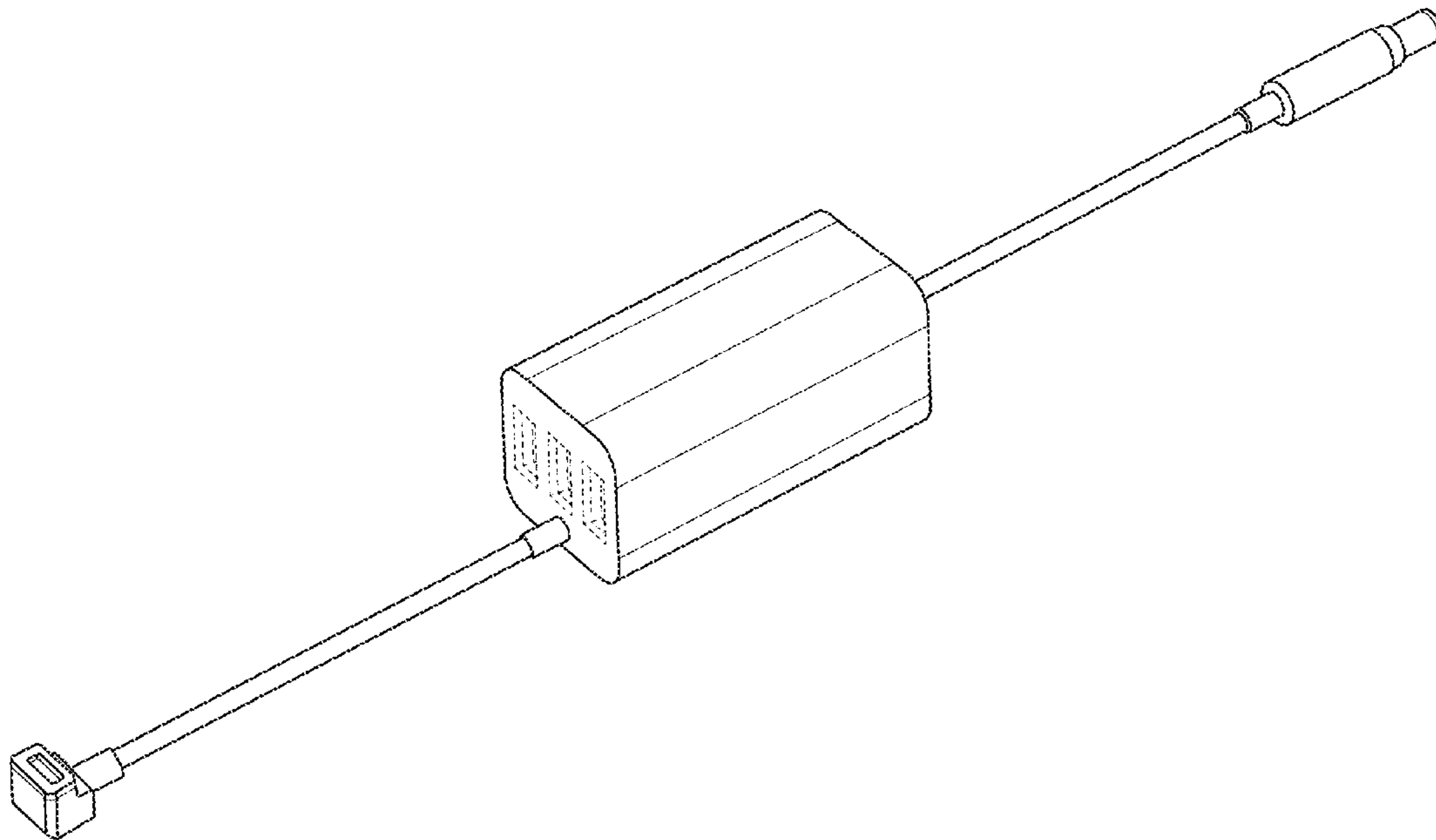
FIG. 1 is a top, front and right side perspective view of a hub showing our new design;
 FIG. 2 is a top, back and left side perspective view thereof;
 FIG. 3 is a front elevational view thereof;
 FIG. 4 is a back elevational view thereof;
 FIG. 5 is a right side elevational view thereof;
 FIG. 6 is a left side elevational view thereof;
 FIG. 7 is a top plan view thereof; and,
 FIG. 8 is a bottom plan view thereof.

1 Claim, 5 Drawing Sheets

(56) **References Cited**

U.S. PATENT DOCUMENTS

- D313,588 S * 1/1991 Gecchelin D13/154
- D381,978 S * 8/1997 Nakada et al. D14/358
- D413,574 S * 9/1999 Goto D13/146



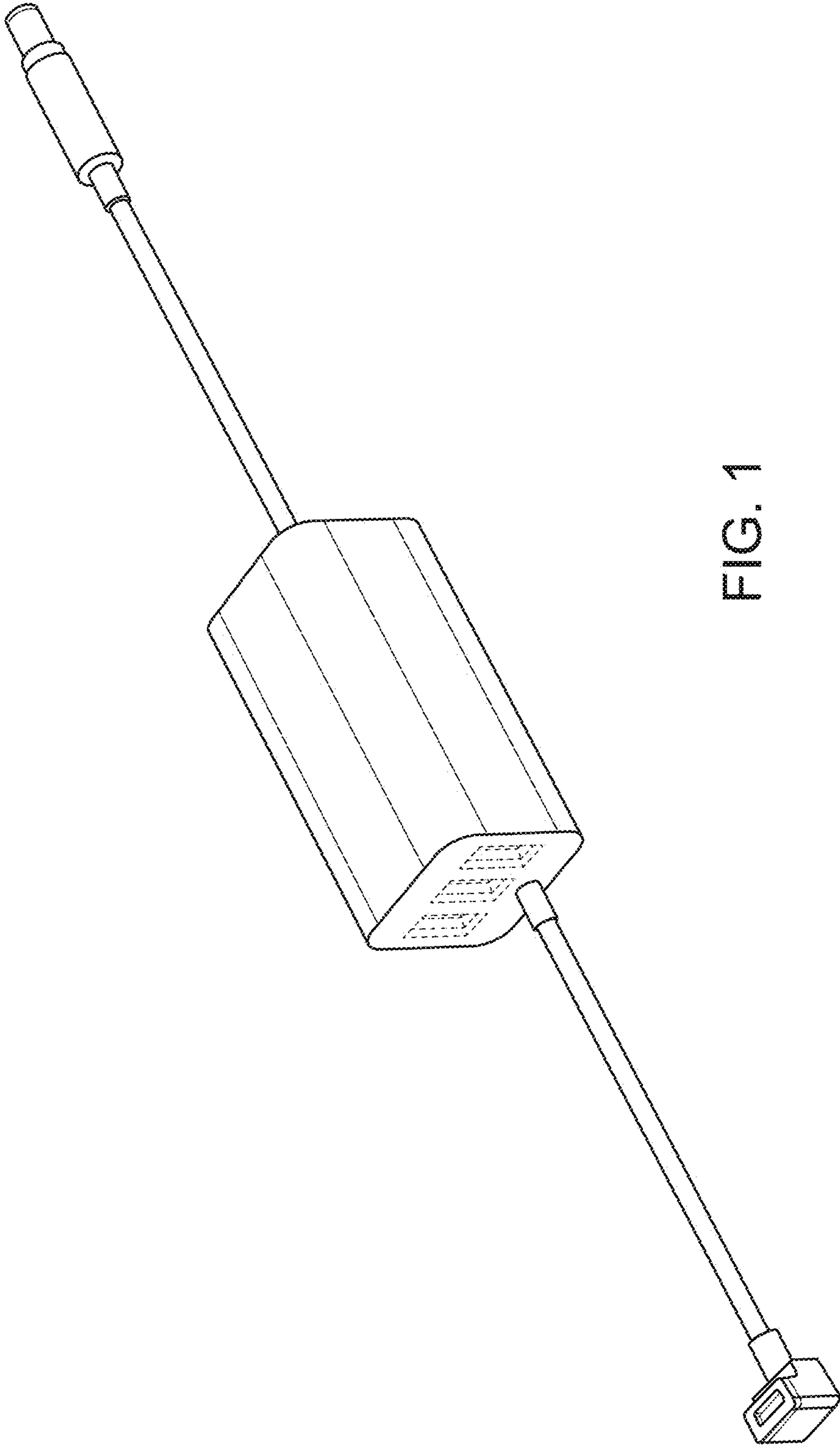


FIG. 1

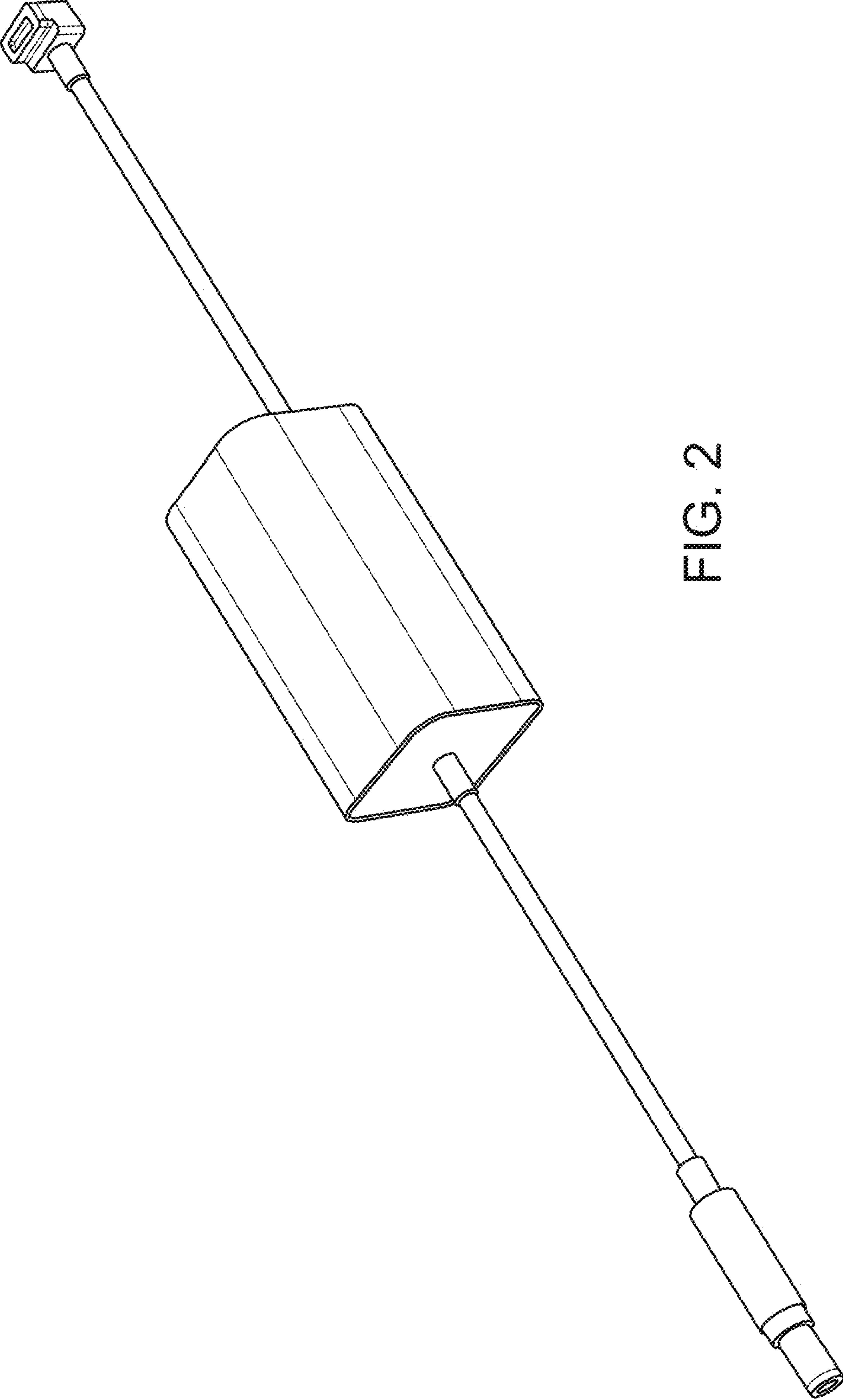


FIG. 2

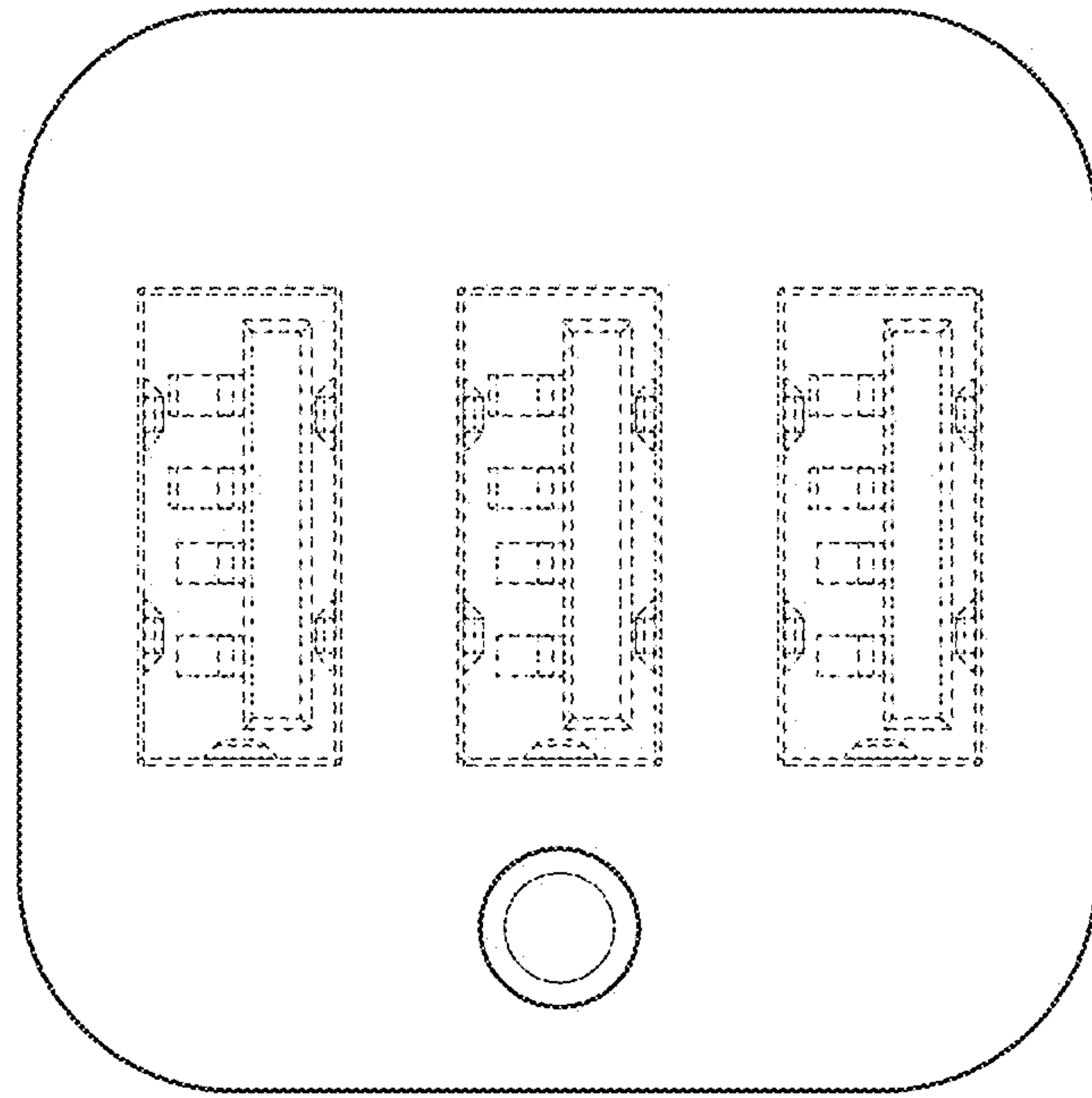


FIG. 3

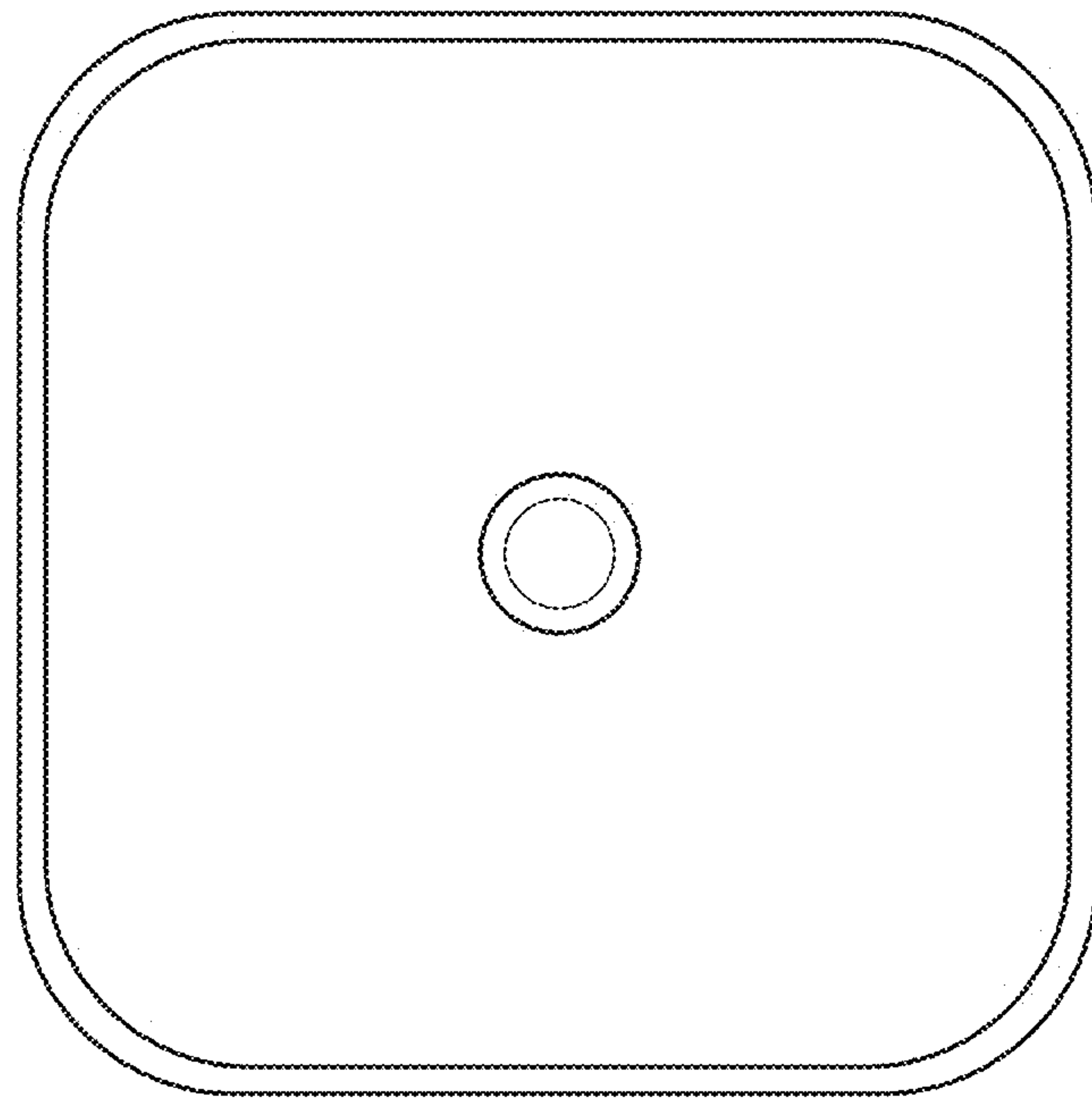


FIG. 4

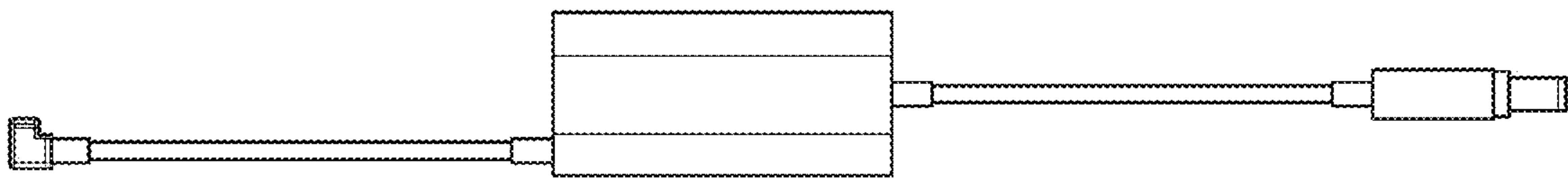


FIG. 5

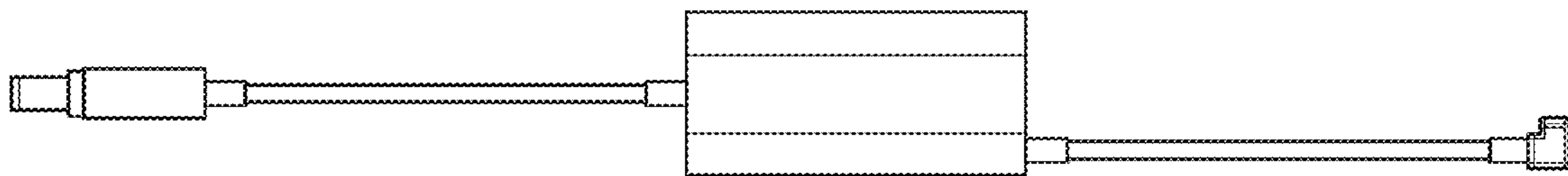


FIG. 6

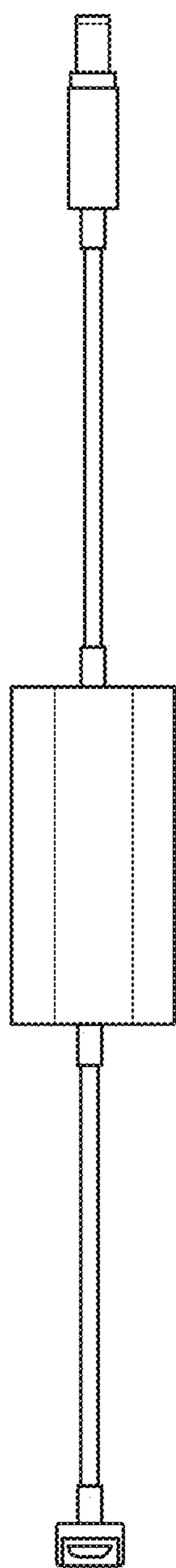


FIG. 7

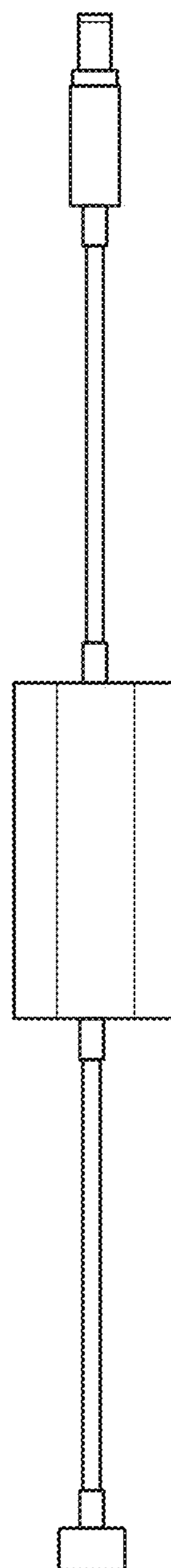


FIG. 8