



US00D731977S

(12) **United States Design Patent**
Habirov et al.

(10) **Patent No.:** **US D731,977 S**
(45) **Date of Patent:** **** Jun. 16, 2015**

(54) **TEST PLUG BLOCK COMPRISING A PLURALITY OF MODULAR TEST PLUGS**

(71) Applicant: **Phoenix Contact GmbH & Co. KG**,
Blomberg (DE)
(72) Inventors: **Dennis Habirov**, Bielefeld (DE);
Christian Kloppenburg, Büren
Wewelsburg (DE); **Olaf Schyrocki**, Bad
Pyrmont (DE)
(73) Assignee: **Phoenix Contact GmbH & Co. KG**,
Blomberg (DE)
(**) Term: **14 Years**
(21) Appl. No.: **29/439,653**
(22) Filed: **Dec. 13, 2012**

(30) **Foreign Application Priority Data**

Jun. 13, 2012 (EM) 002057455

(51) **LOC (10) Cl.** **13-03**

(52) **U.S. Cl.**
USPC **D13/147**

(58) **Field of Classification Search**
USPC D13/146, 147, 154, 199
CPC H01R 4/26; H01R 4/24; H01R 9/26;
H01R 11/20; H01R 11/22; H01R 13/62;
H01R 31/08; H01R 33/26; H01H 21/54
See application file for complete search history.

(56) **References Cited**

U.S. PATENT DOCUMENTS

7,666,037 B2 * 2/2010 Diessel 439/857
8,128,430 B2 * 3/2012 Diessel 439/507

(Continued)

Primary Examiner — Daniel Bui
Assistant Examiner — Sanjeev Paul

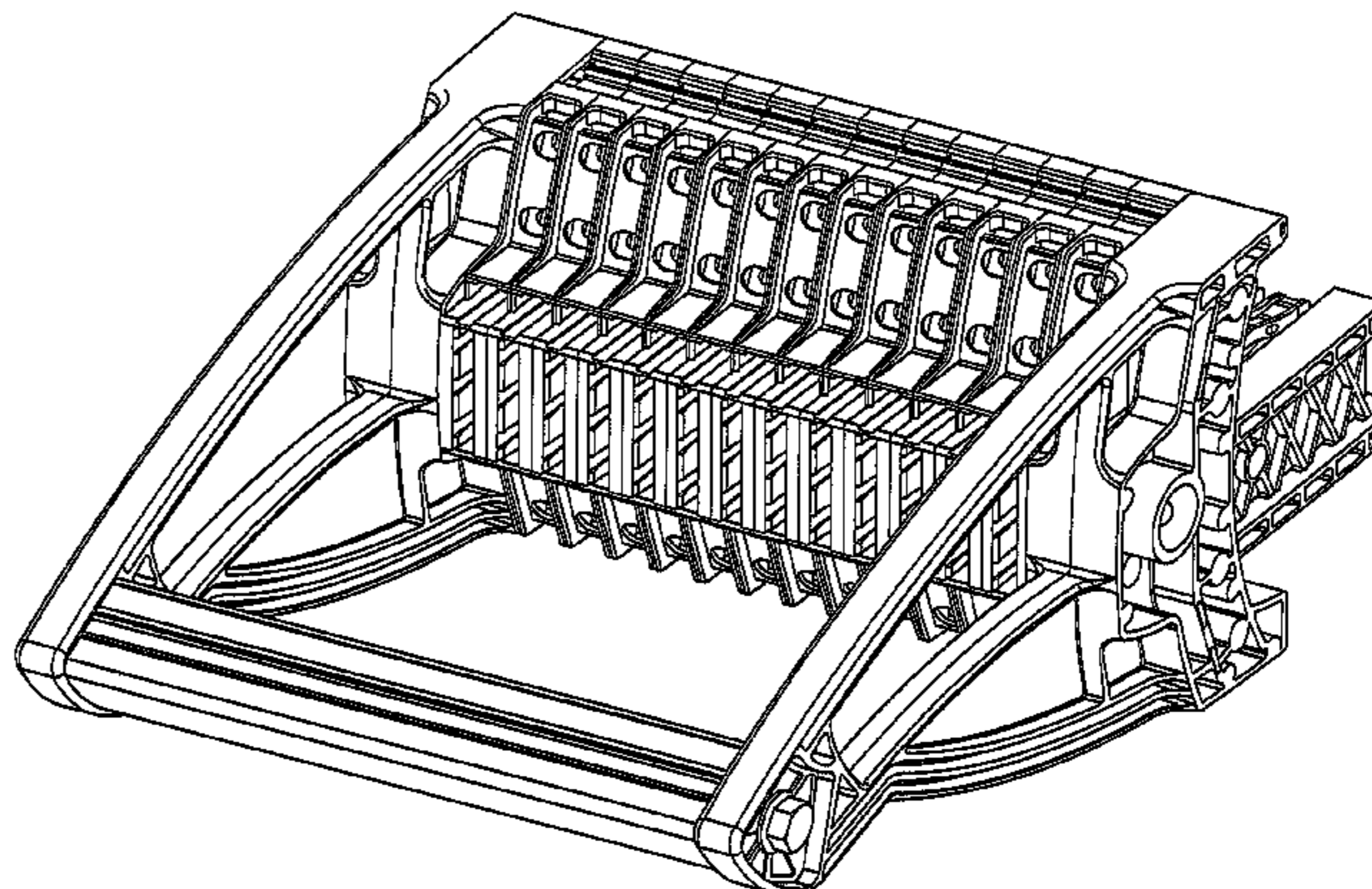
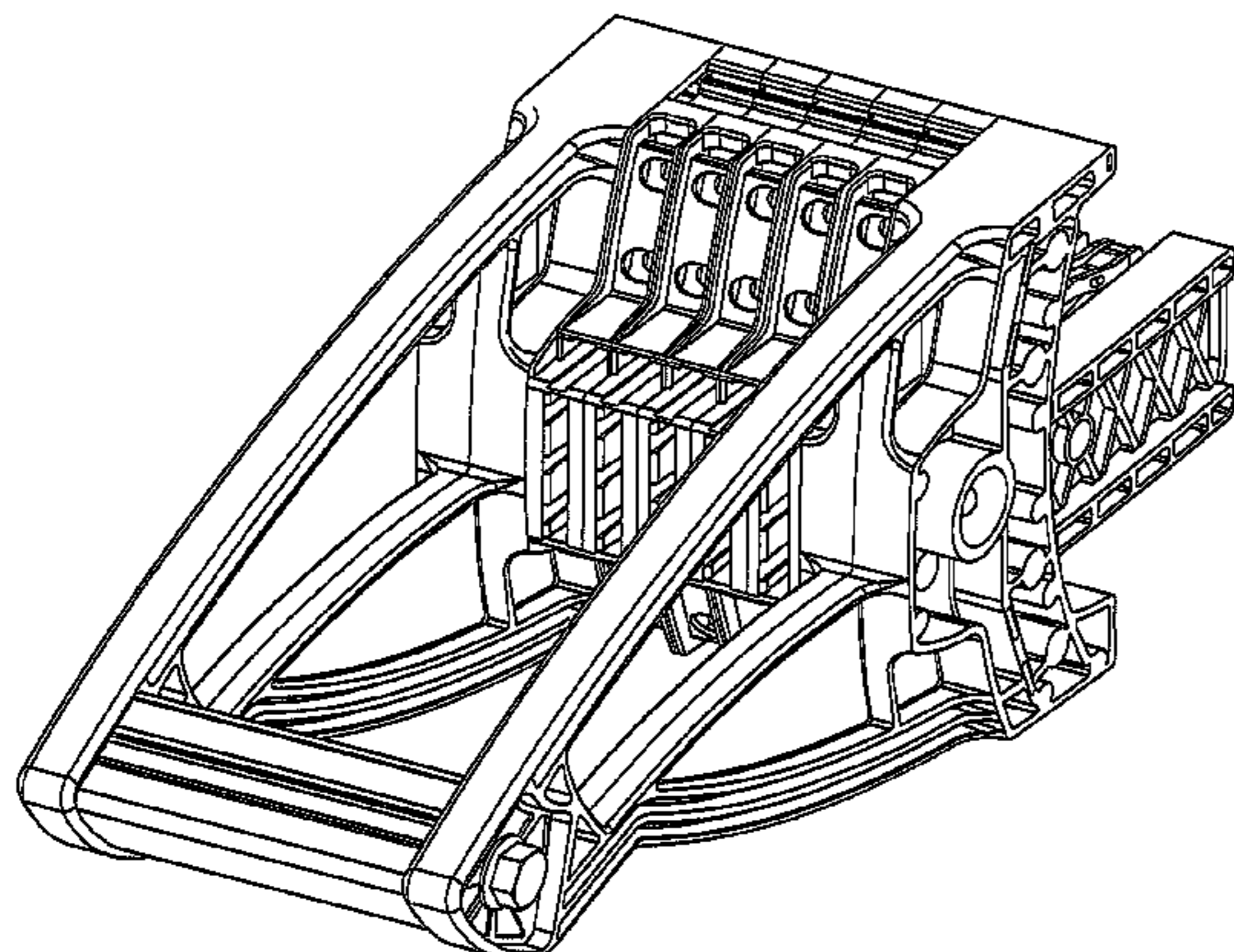
(74) *Attorney, Agent, or Firm* — Roberts Mlotkowski Safran
& Cole, P.C.; David S. Safran

(57) **CLAIM**
The ornamental design for a test plug block comprising a plurality of modular test plugs, as described above and as shown in the accompanying drawings.

DESCRIPTION

FIG. 1 is a bottom plan view of a first embodiment of a test plug block comprising a plurality of modular test plugs showing our new design;
FIG. 2 is a front elevation view thereof;
FIG. 3 is a rear elevation view thereof;
FIG. 4 is a top plan view thereof;
FIG. 5 is a top, front and right side perspective view thereof;
FIG. 6 is a bottom plan view of a second embodiment of a test plug block comprising a plurality of modular test plugs showing our new design;
FIG. 7 is a front elevation view thereof;
FIG. 8 is a rear elevation view thereof;
FIG. 9 is a top plan view thereof;
FIG. 10 is a top, front and right side perspective view thereof;
FIG. 11 is a bottom plan view of a third embodiment of a test plug block comprising a plurality of modular test plugs showing our new design;
FIG. 12 is a front elevation view thereof;
FIG. 13 is a rear elevation view thereof;
FIG. 14 is a top plan view thereof;
FIG. 15 is a top, front and right side perspective view thereof;
FIG. 16 is a bottom plan view of a fourth embodiment of a test plug block comprising a plurality of modular test plugs showing our new design;
FIG. 17 is a front elevation view thereof;
FIG. 18 is a rear elevation view thereof;
FIG. 19 is a top plan view thereof;
FIG. 20 is a top, front and right side perspective view thereof;
and,
FIGS. 21 & 22 are right and left side elevation views, respectively, of all embodiments.

1 Claim, 17 Drawing Sheets



(56)

References Cited

U.S. PATENT DOCUMENTS

D671,500 S *	11/2012	Kettern et al.	D13/149	2009/0221191 A1 *	9/2009	Bentler et al.	439/718
D671,897 S *	12/2012	Kettern et al.	D13/149	2010/0120295 A1 *	5/2010	Trinh	439/661
8,460,038 B2 *	6/2013	Eisert et al.	439/716	2011/0059658 A1 *	3/2011	Eisert et al.	439/716
2007/0054541 A1 *	3/2007	Wilinski	439/417	2012/0252262 A1 *	10/2012	Reibke et al.	439/507
2009/0157937 A1 *	6/2009	Kuschke et al.	710/305	2012/0258609 A1 *	10/2012	Warneke	439/43
				2013/0217276 A1 *	8/2013	Bentler et al.	439/716
				2014/0113503 A1 *	4/2014	Barber et al.	439/712

* cited by examiner

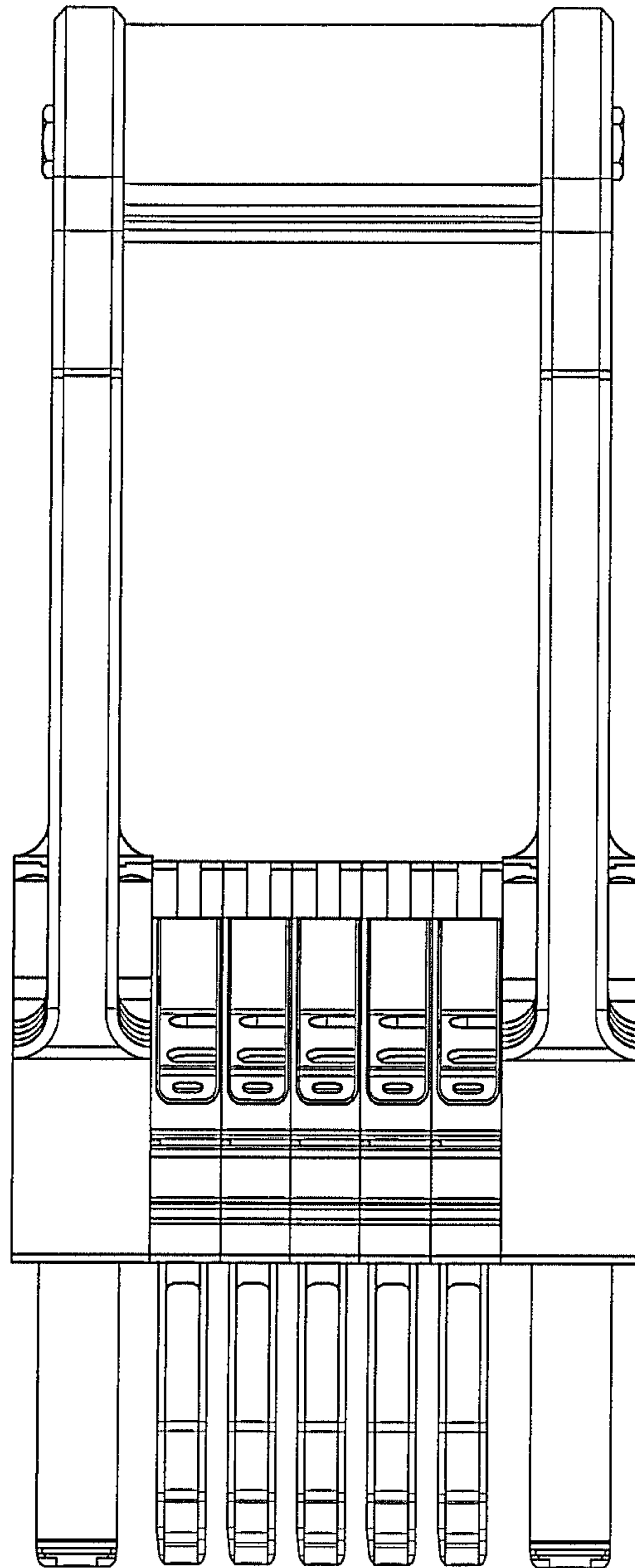


FIG. 1

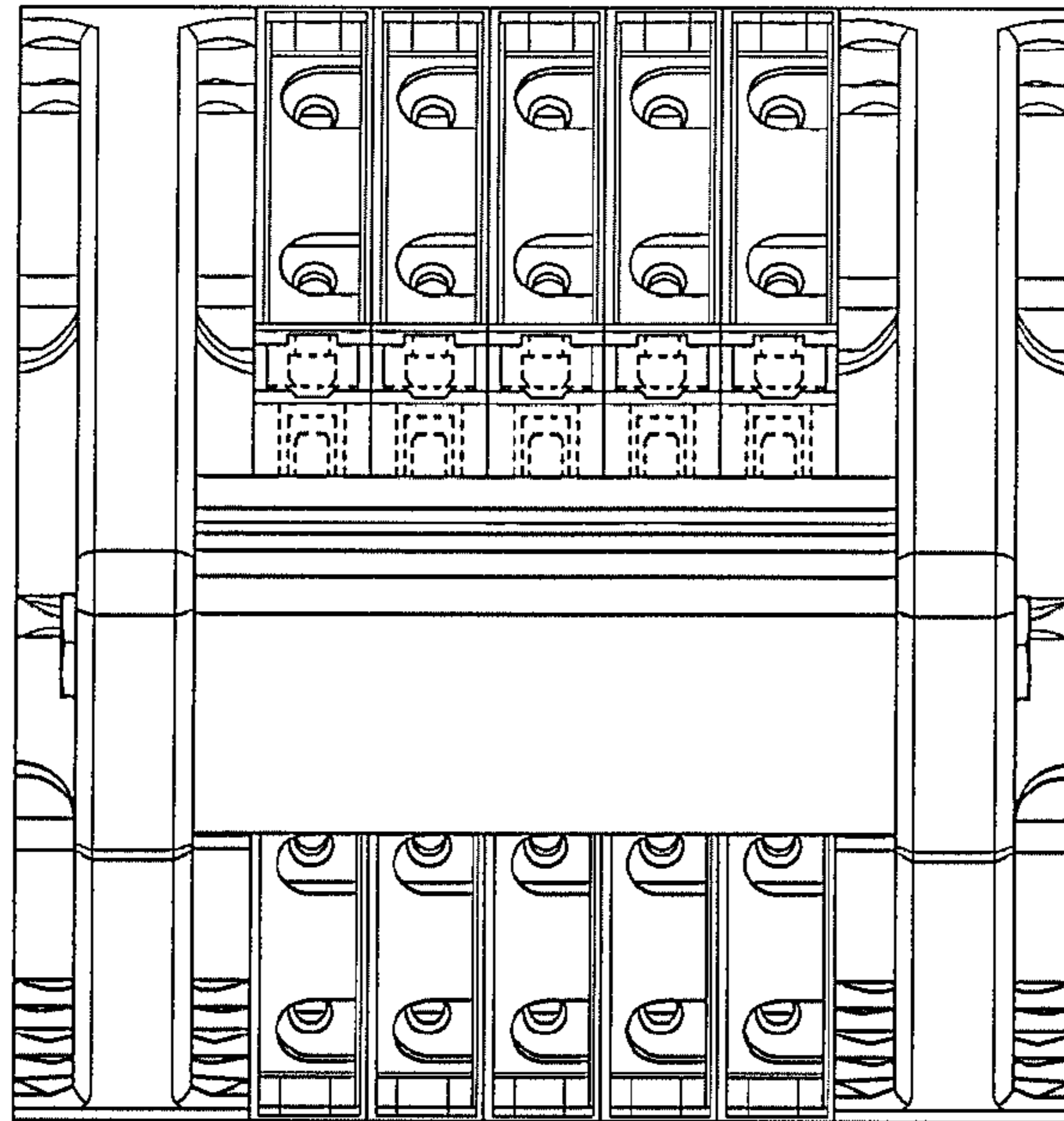


FIG. 2

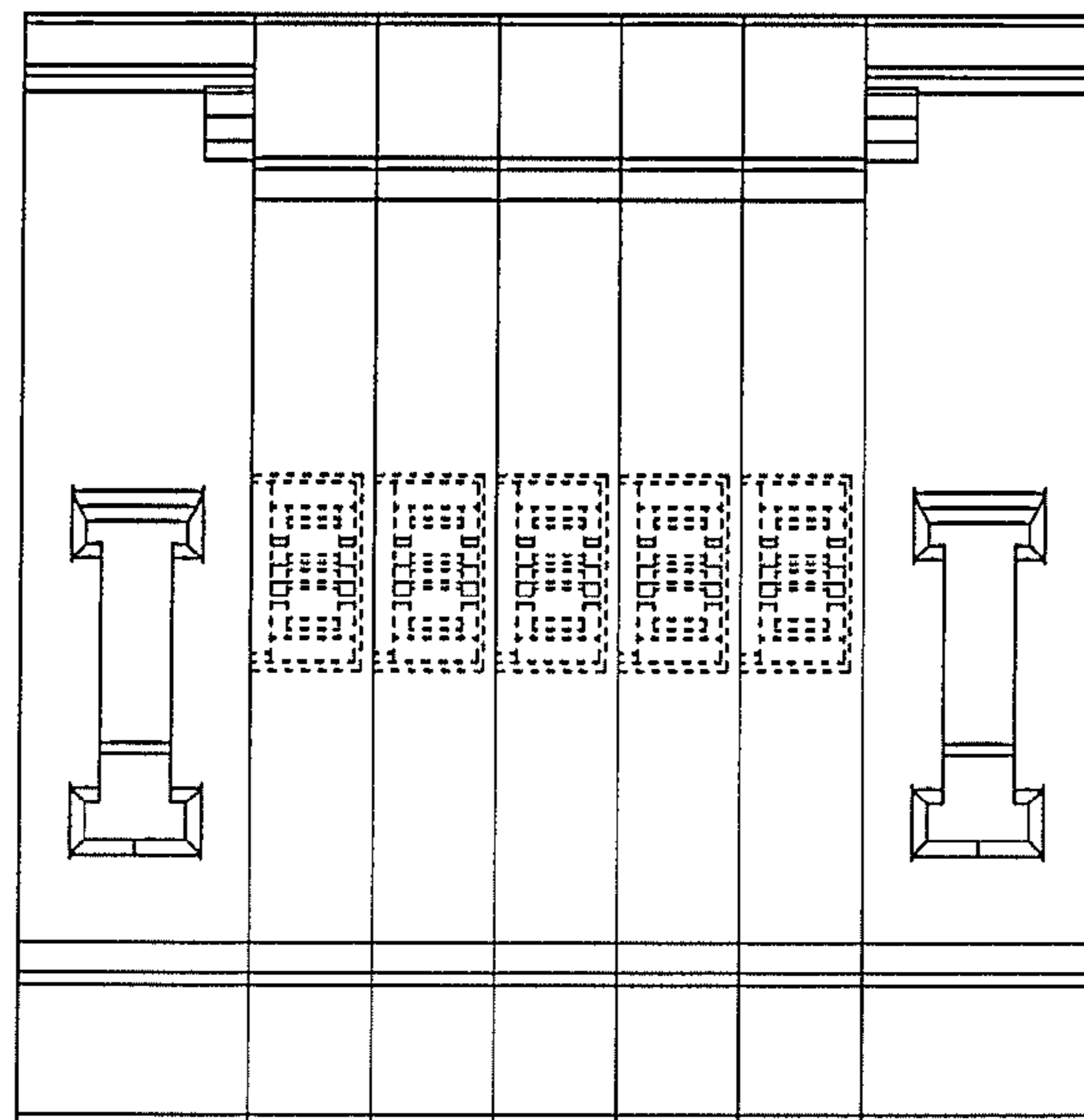


FIG. 3

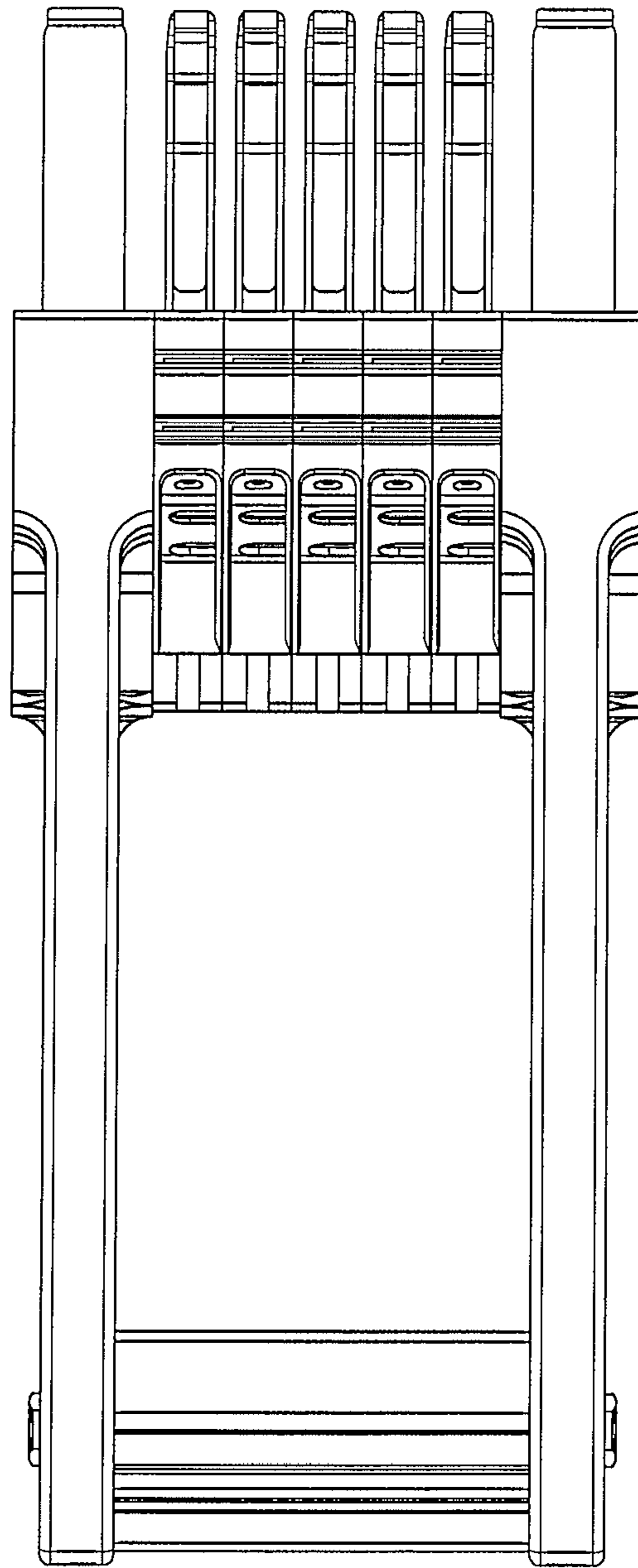


FIG. 4

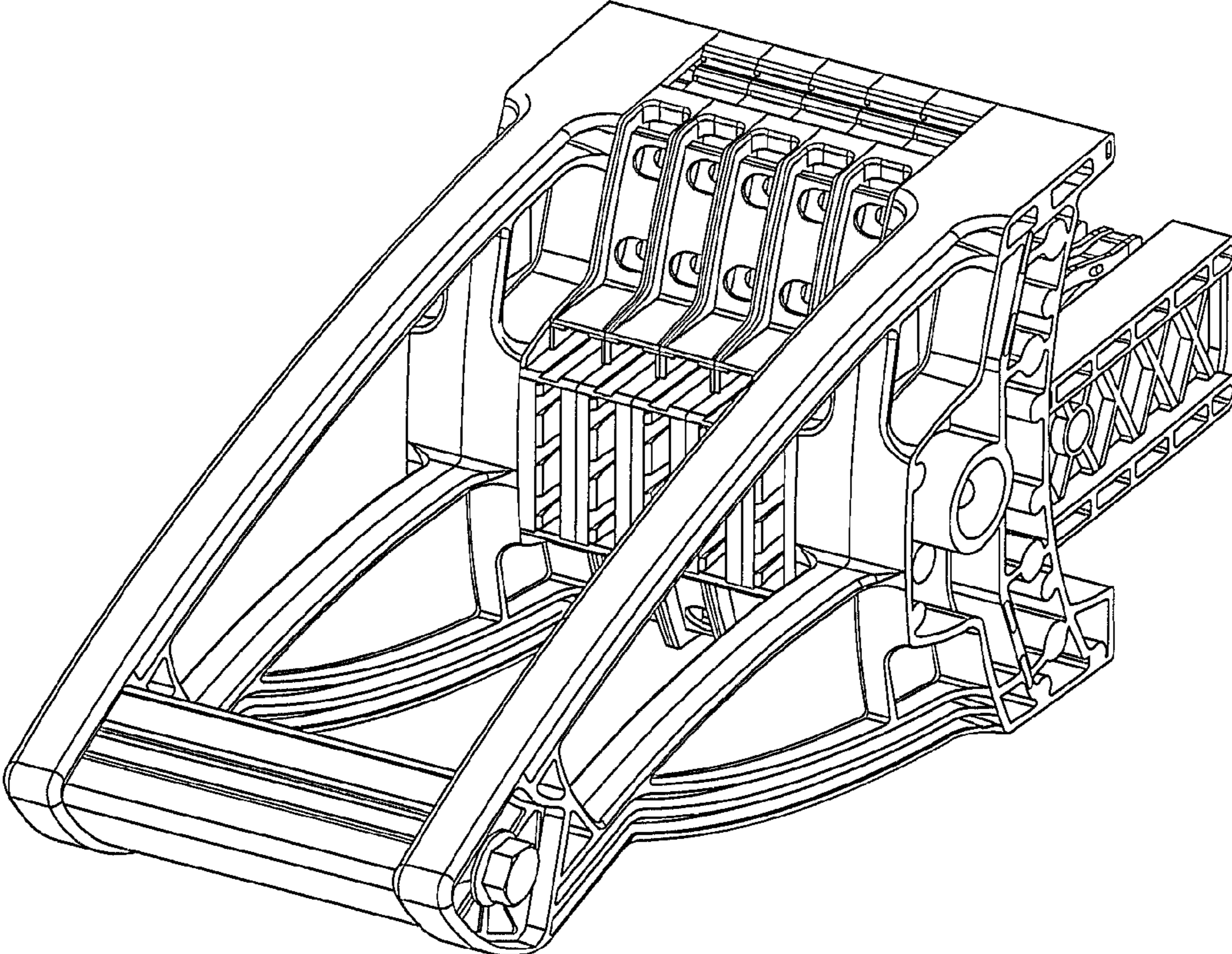


FIG. 5

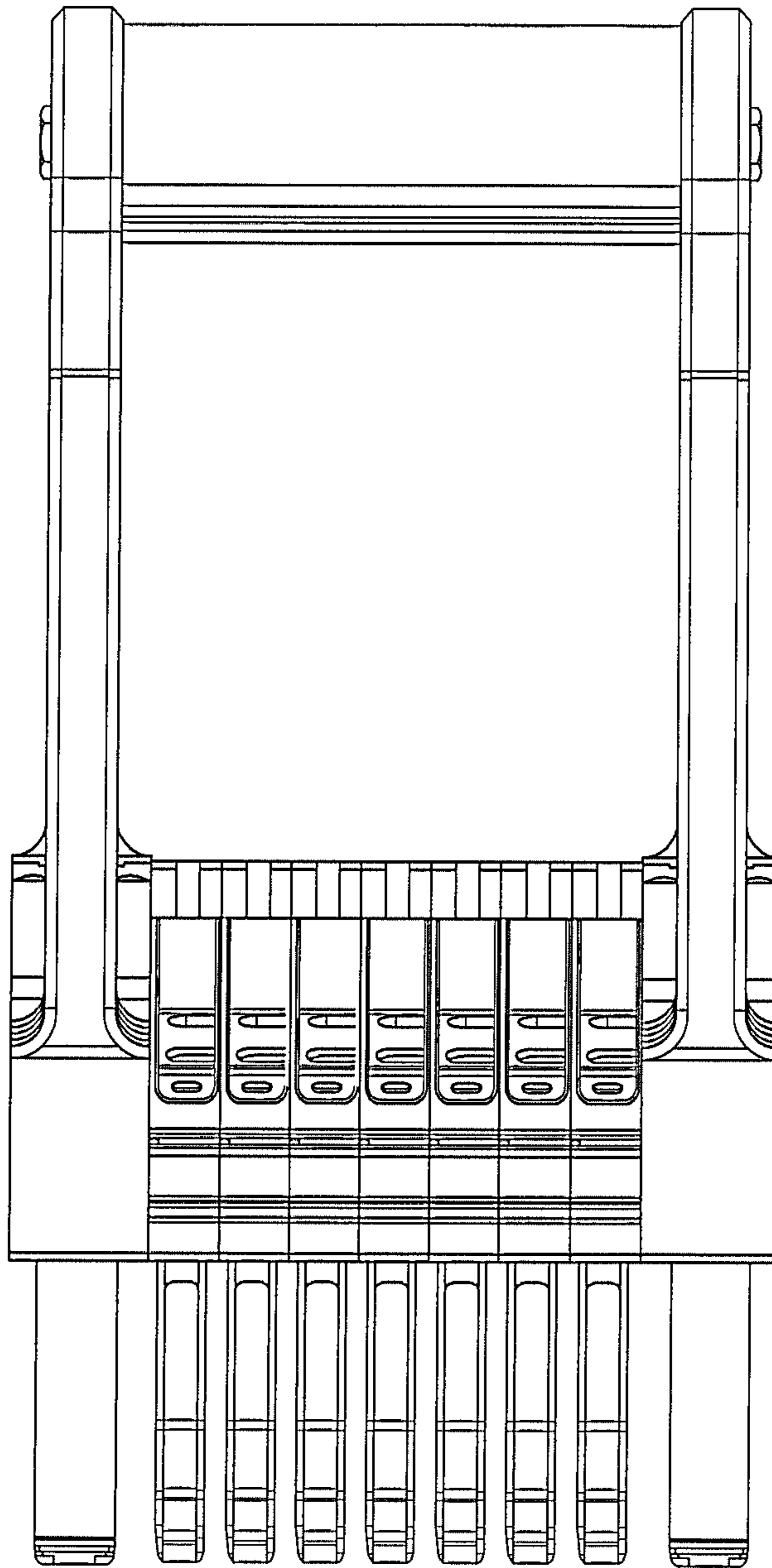


FIG. 6

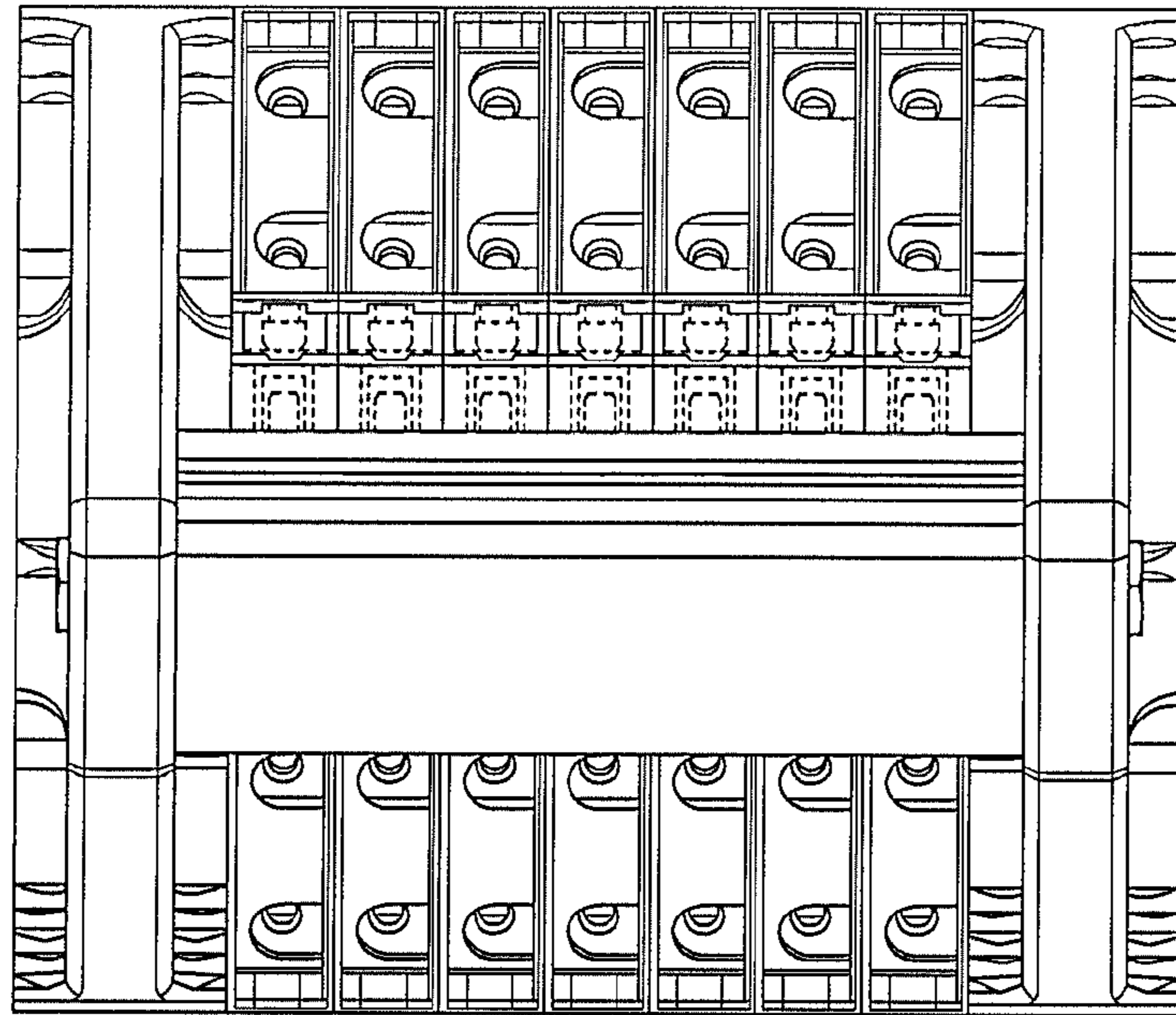


FIG. 7

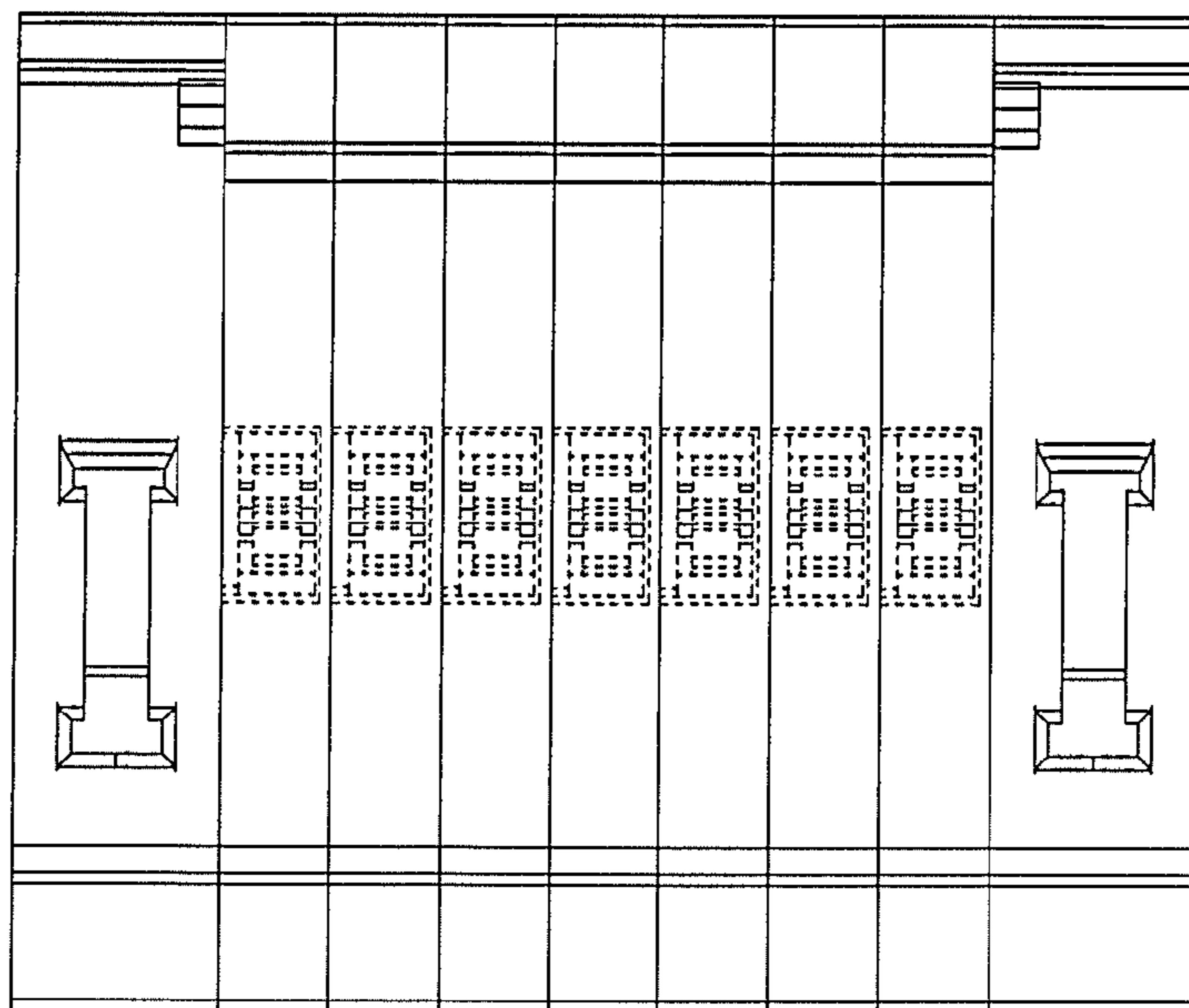


FIG. 8

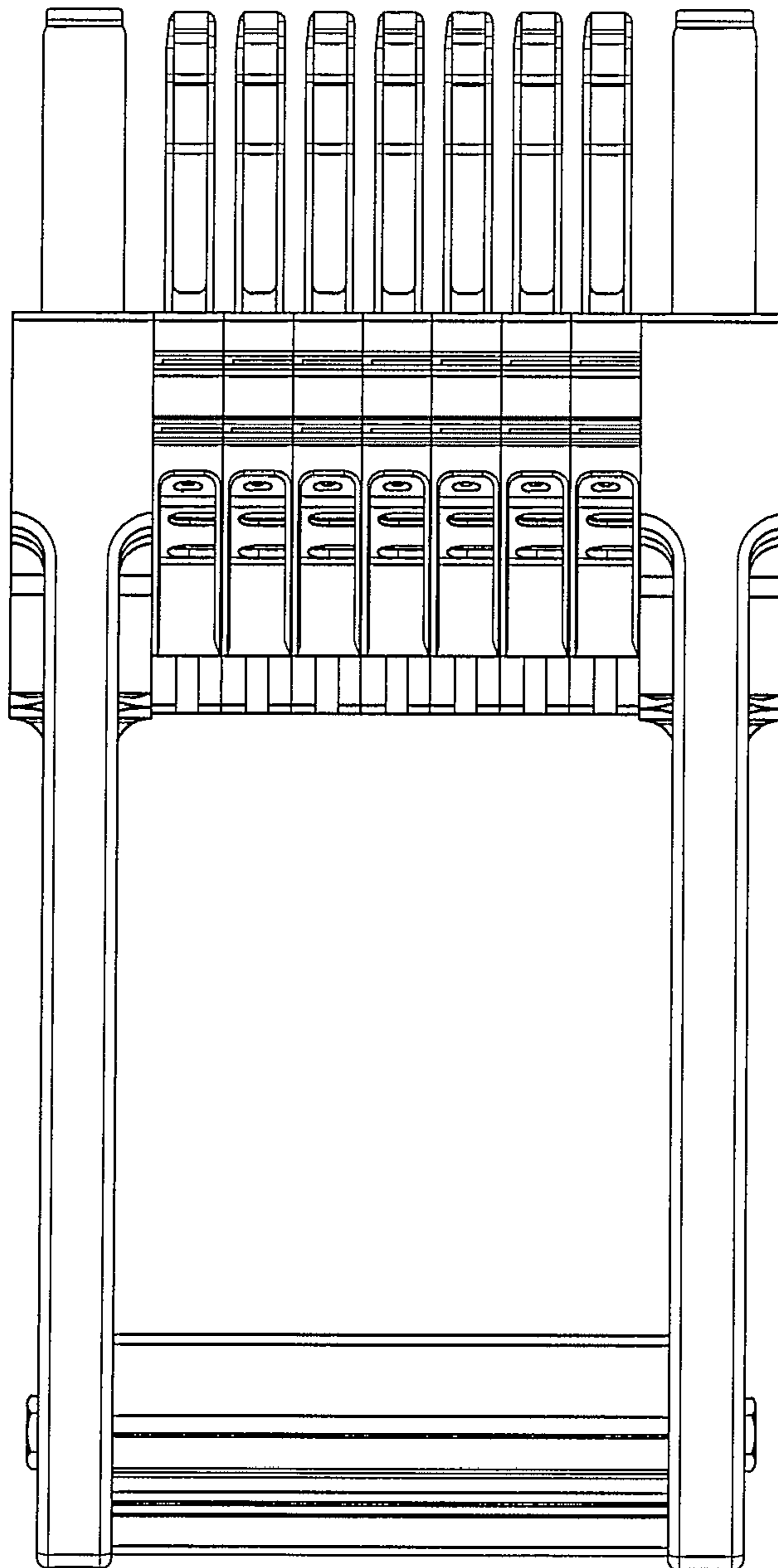


FIG. 9

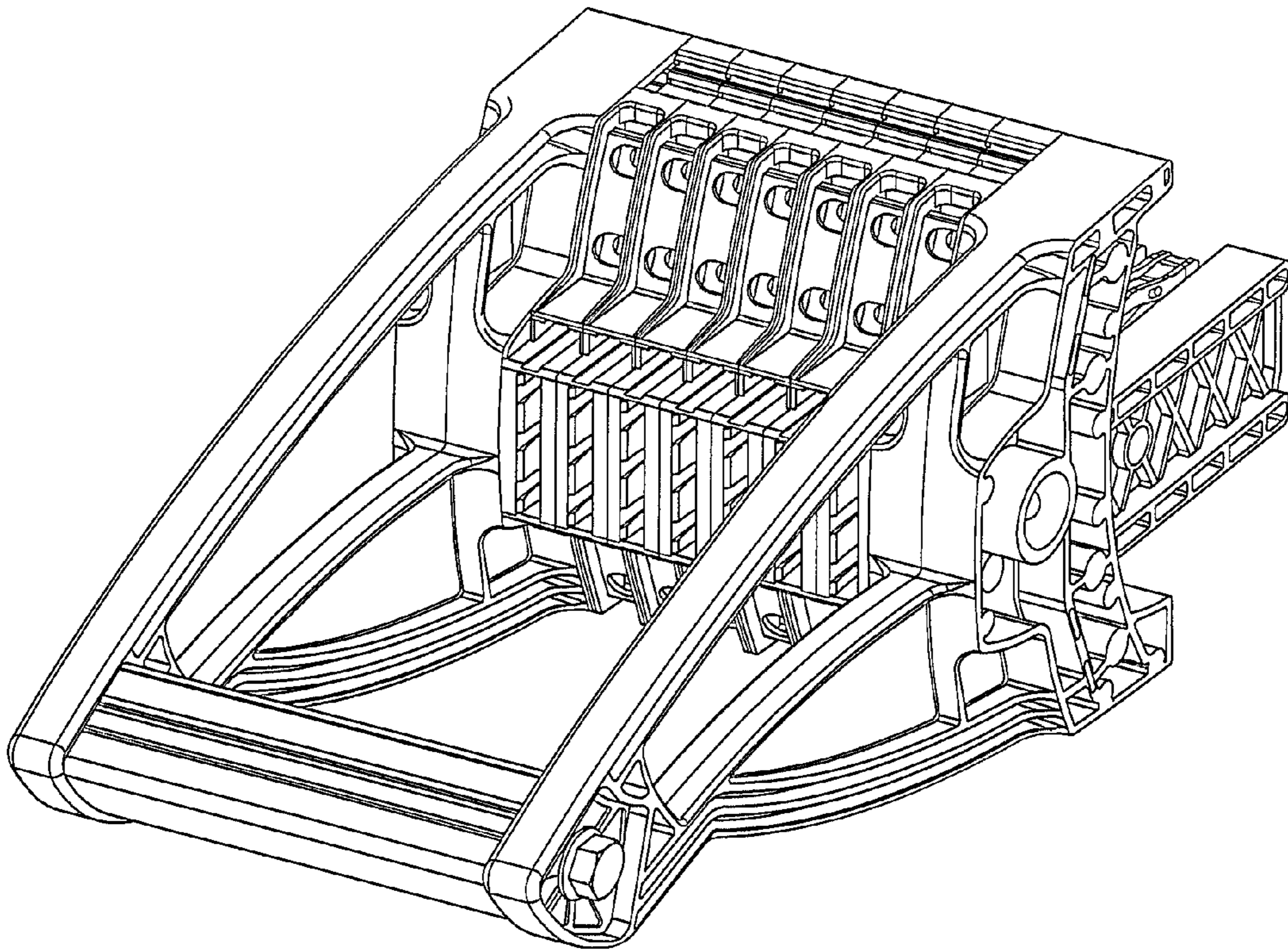


FIG. 10

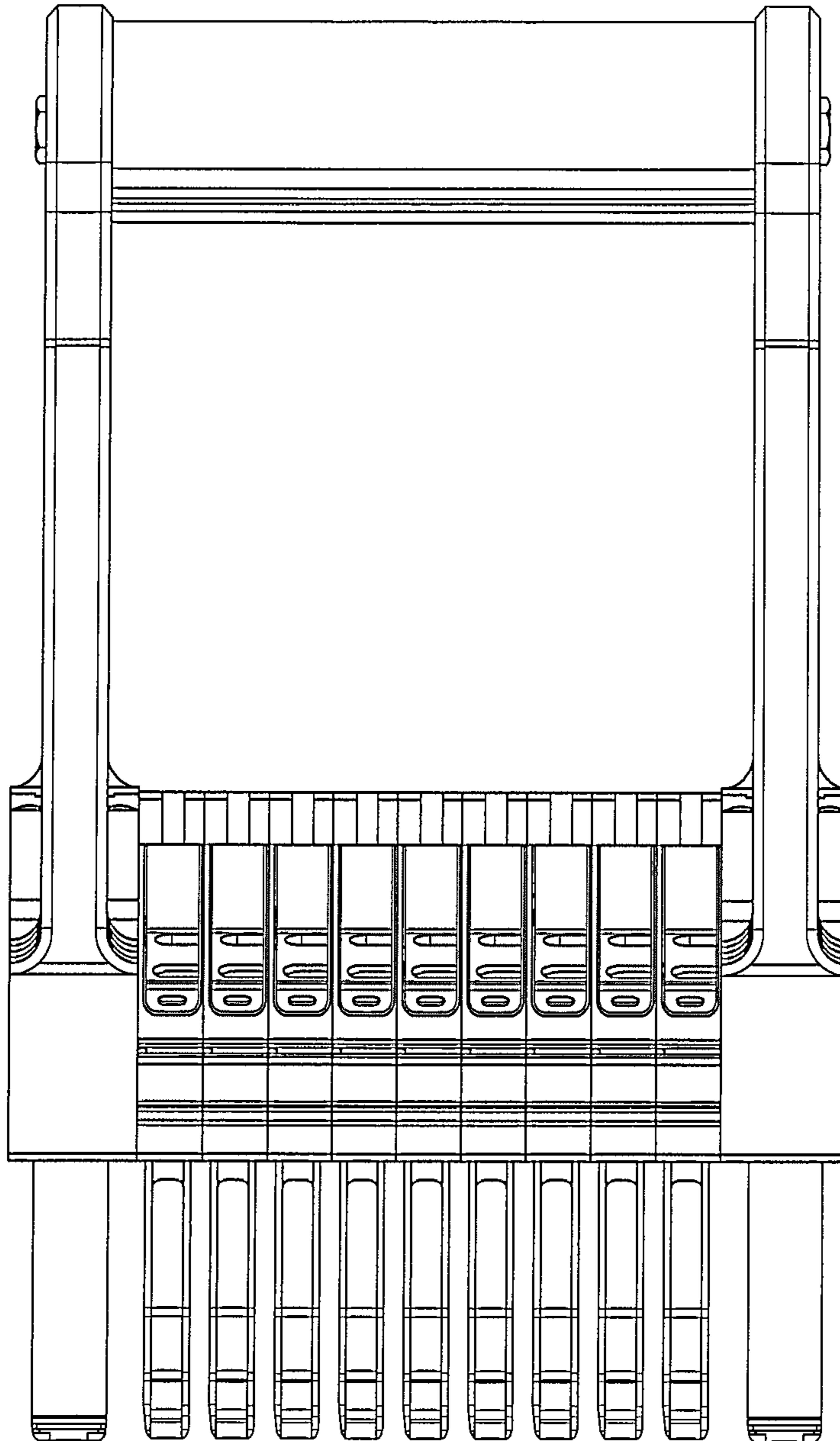


FIG. 11

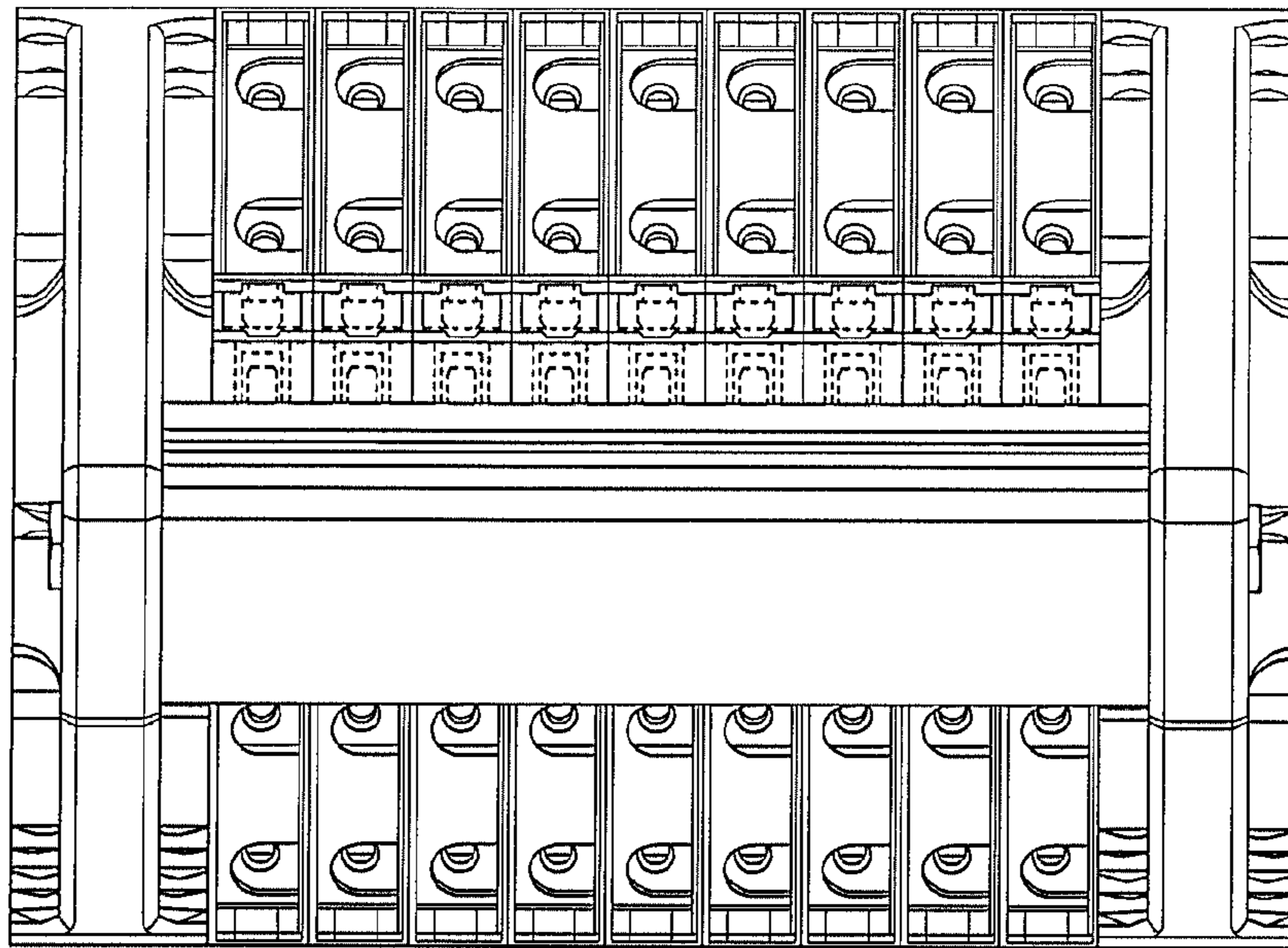


FIG. 12

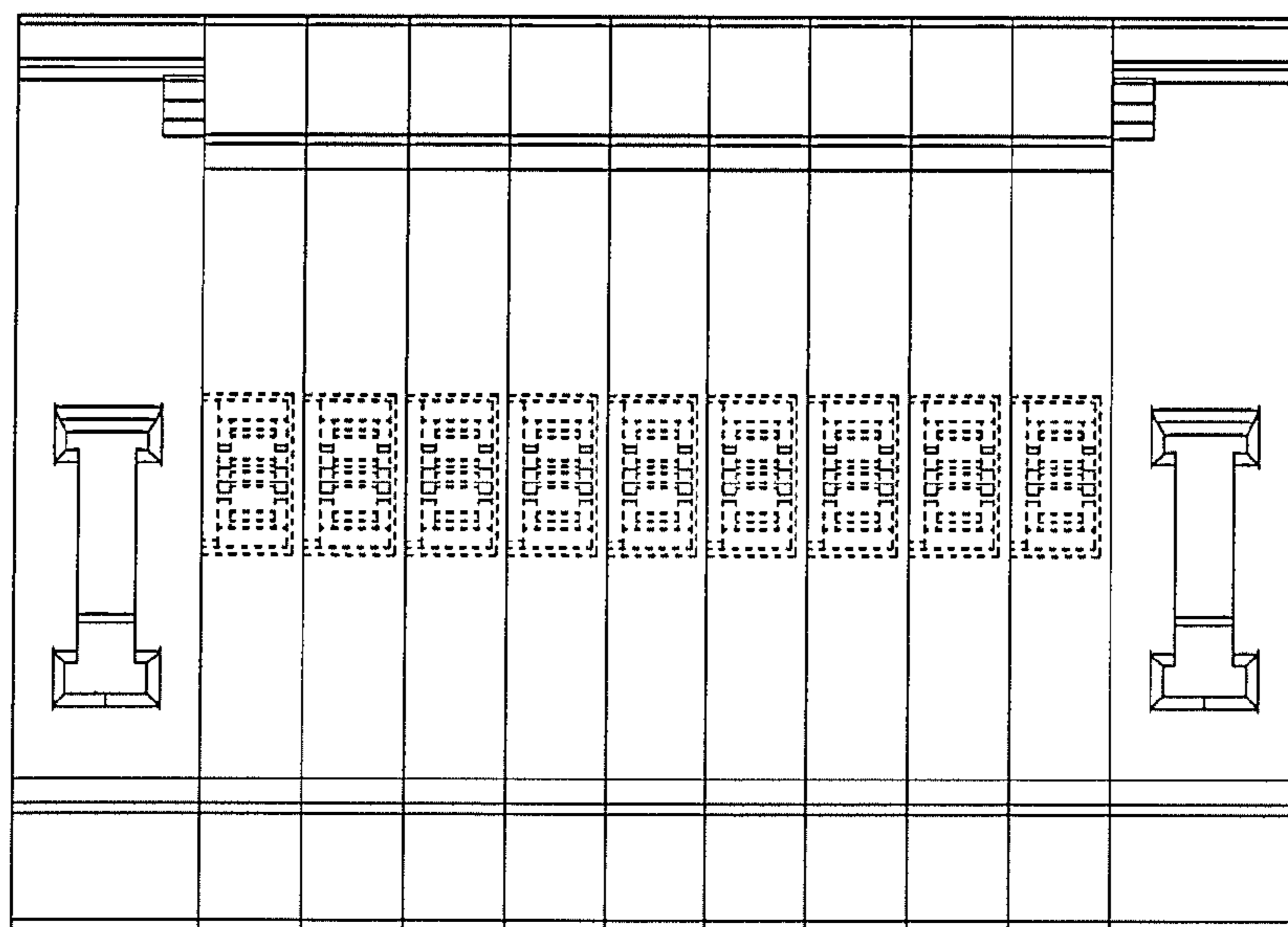


FIG. 13

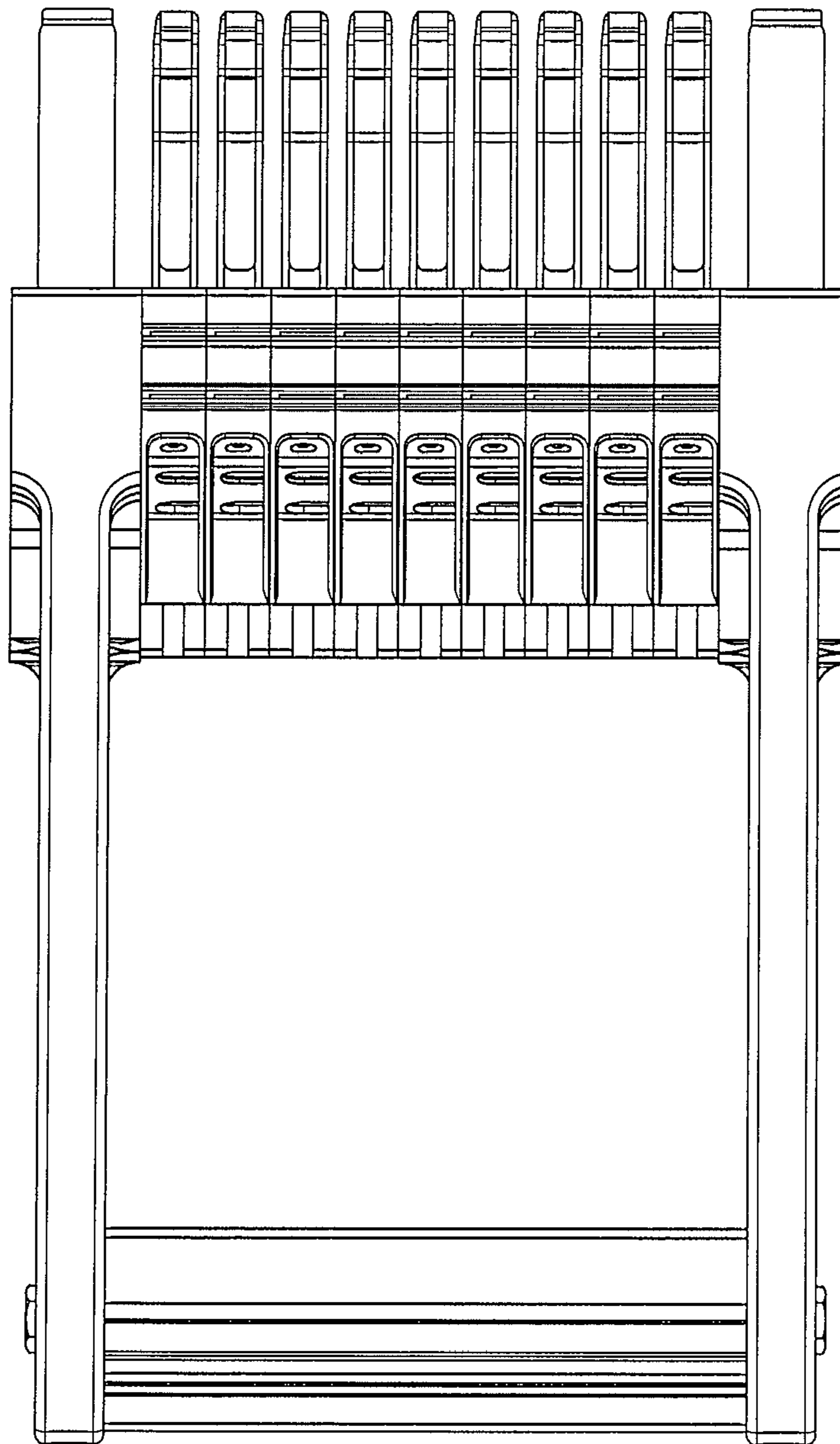


FIG. 14

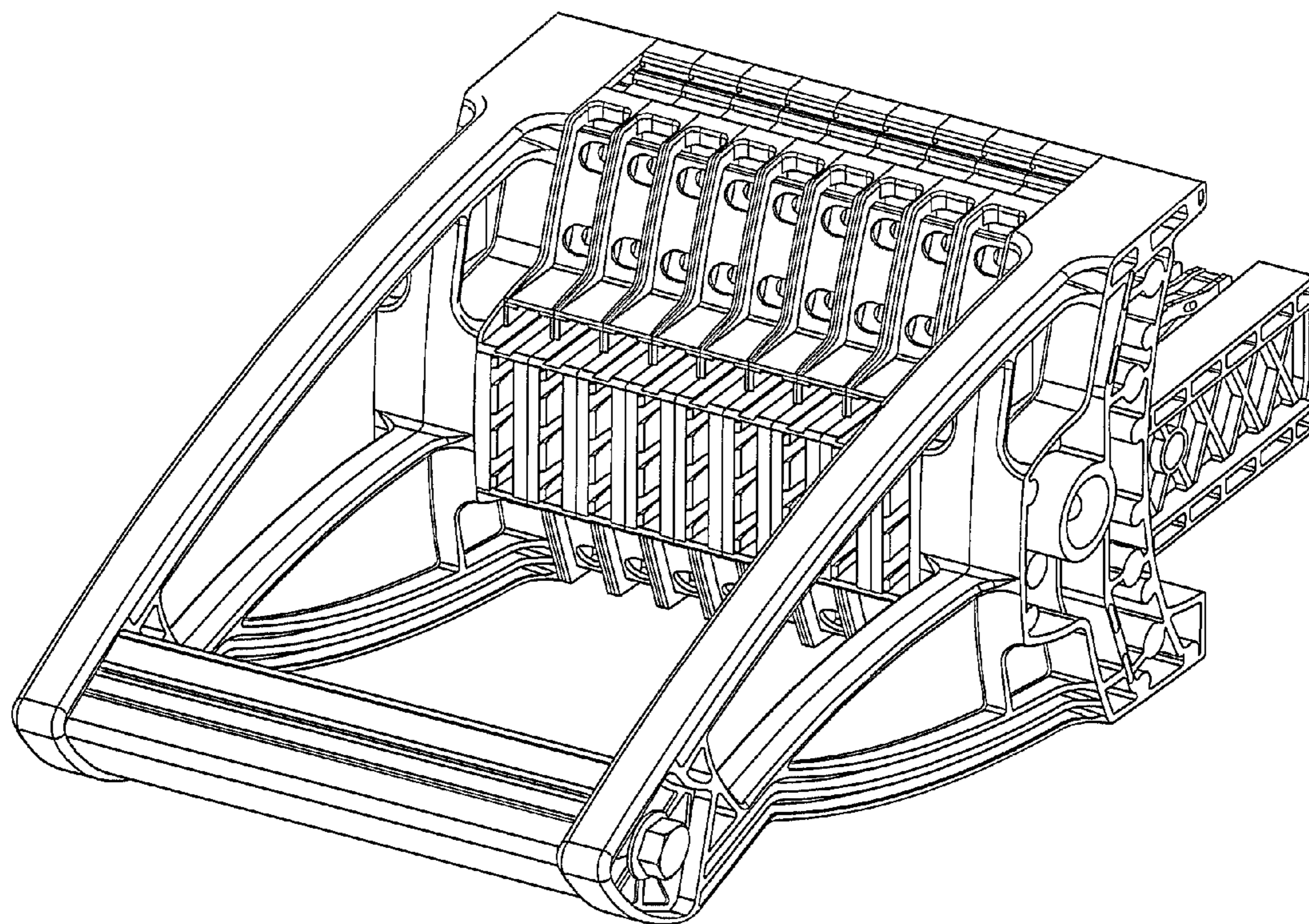


FIG. 15

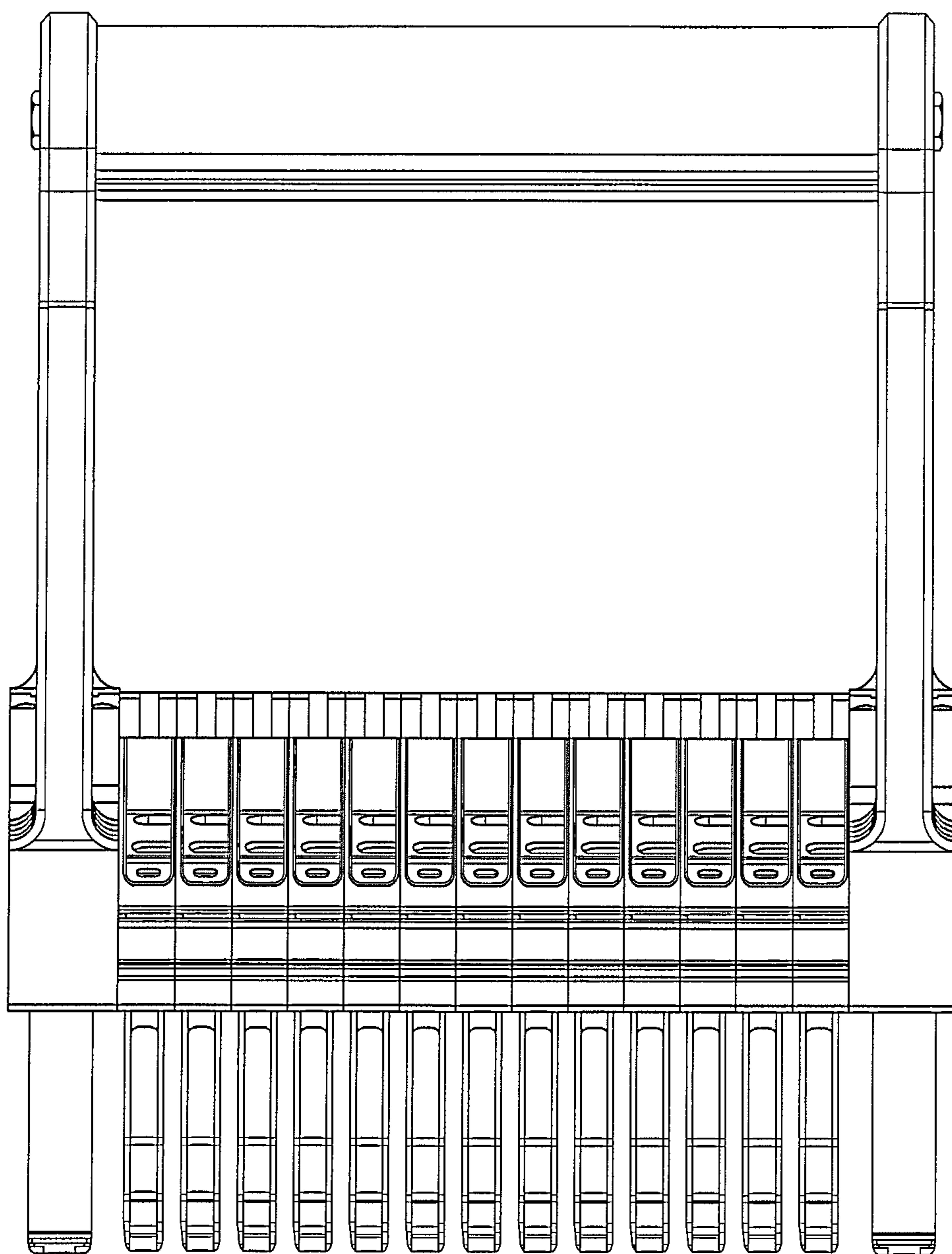


FIG. 16

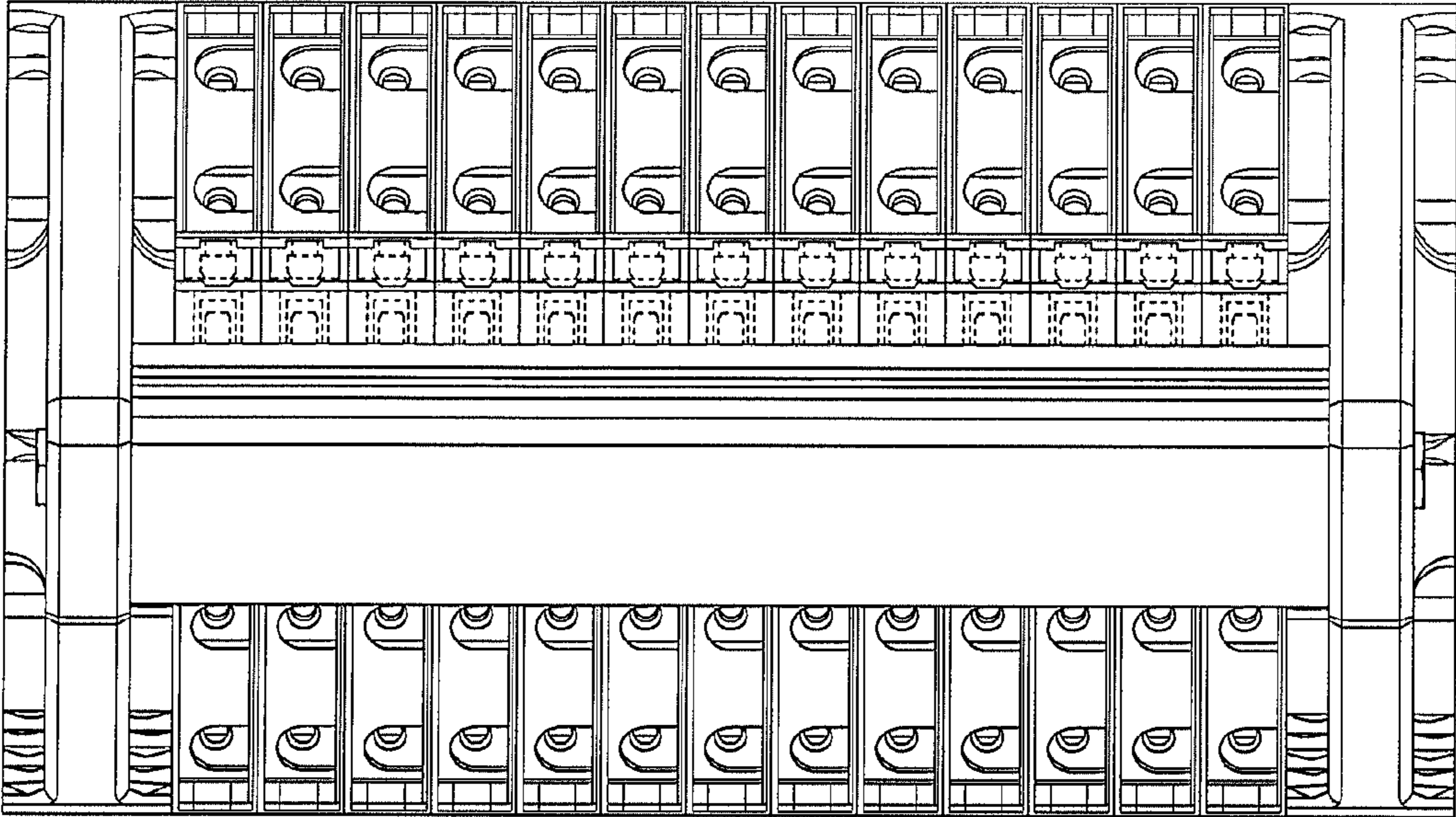


FIG. 17

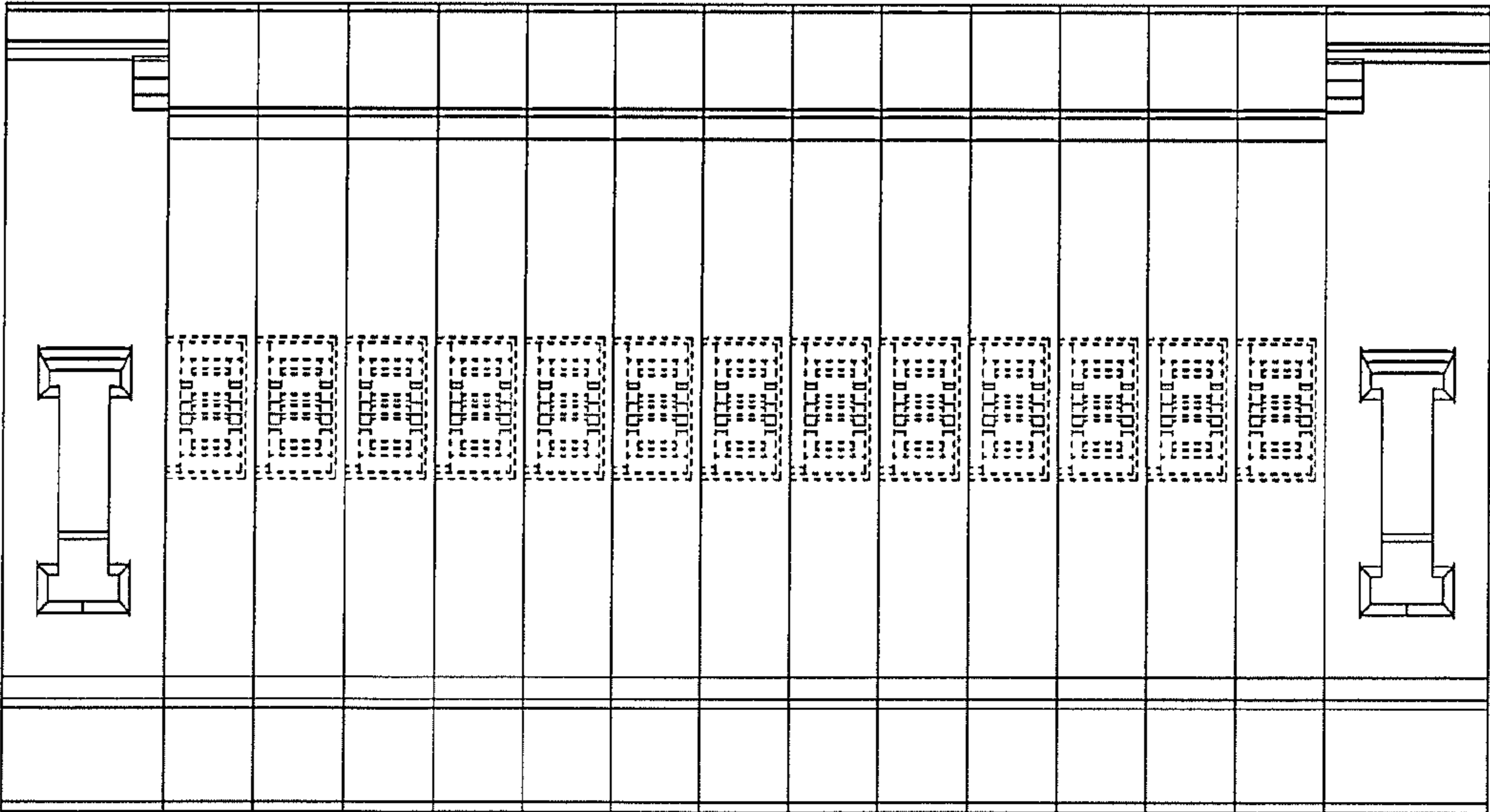


FIG. 18

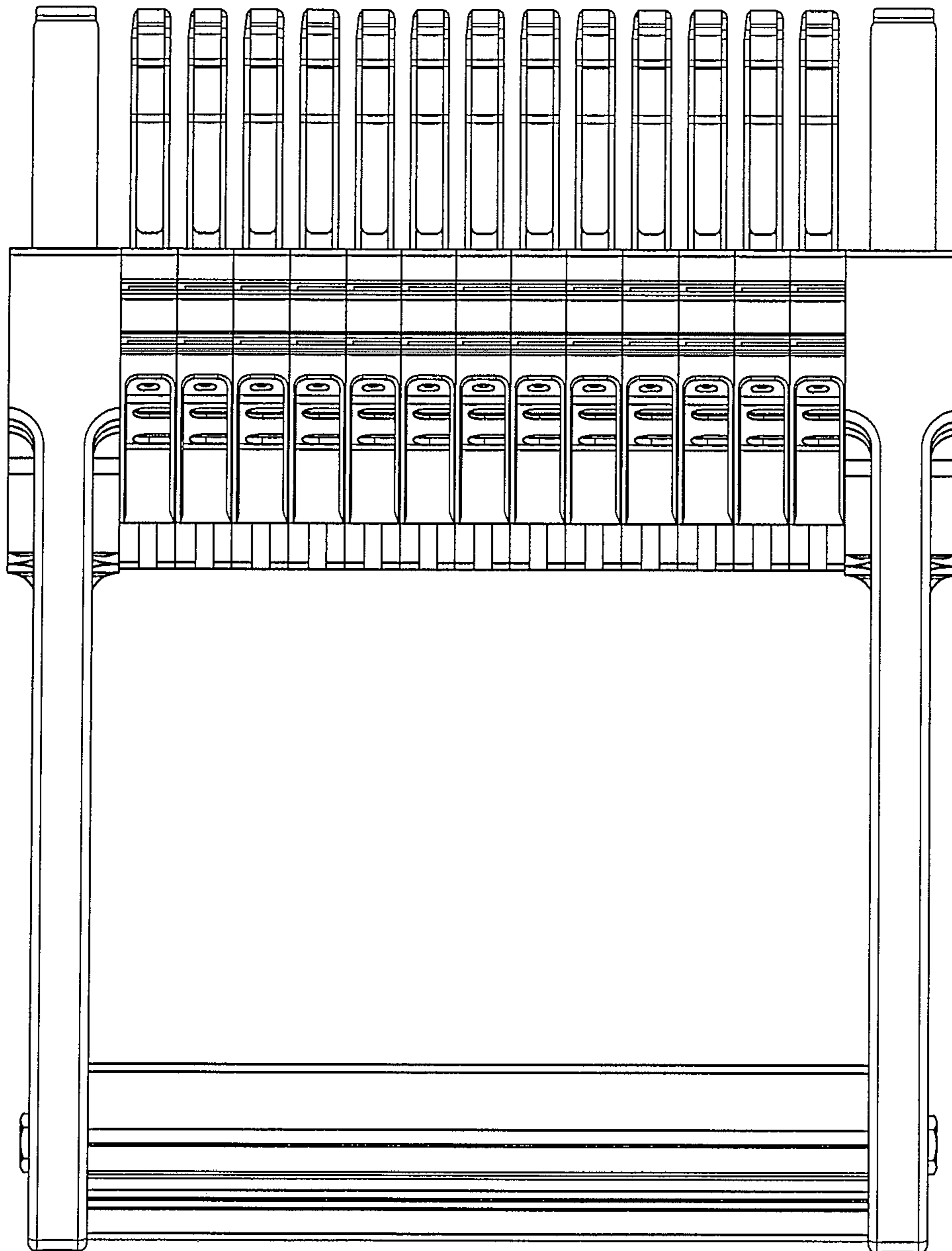


FIG. 19

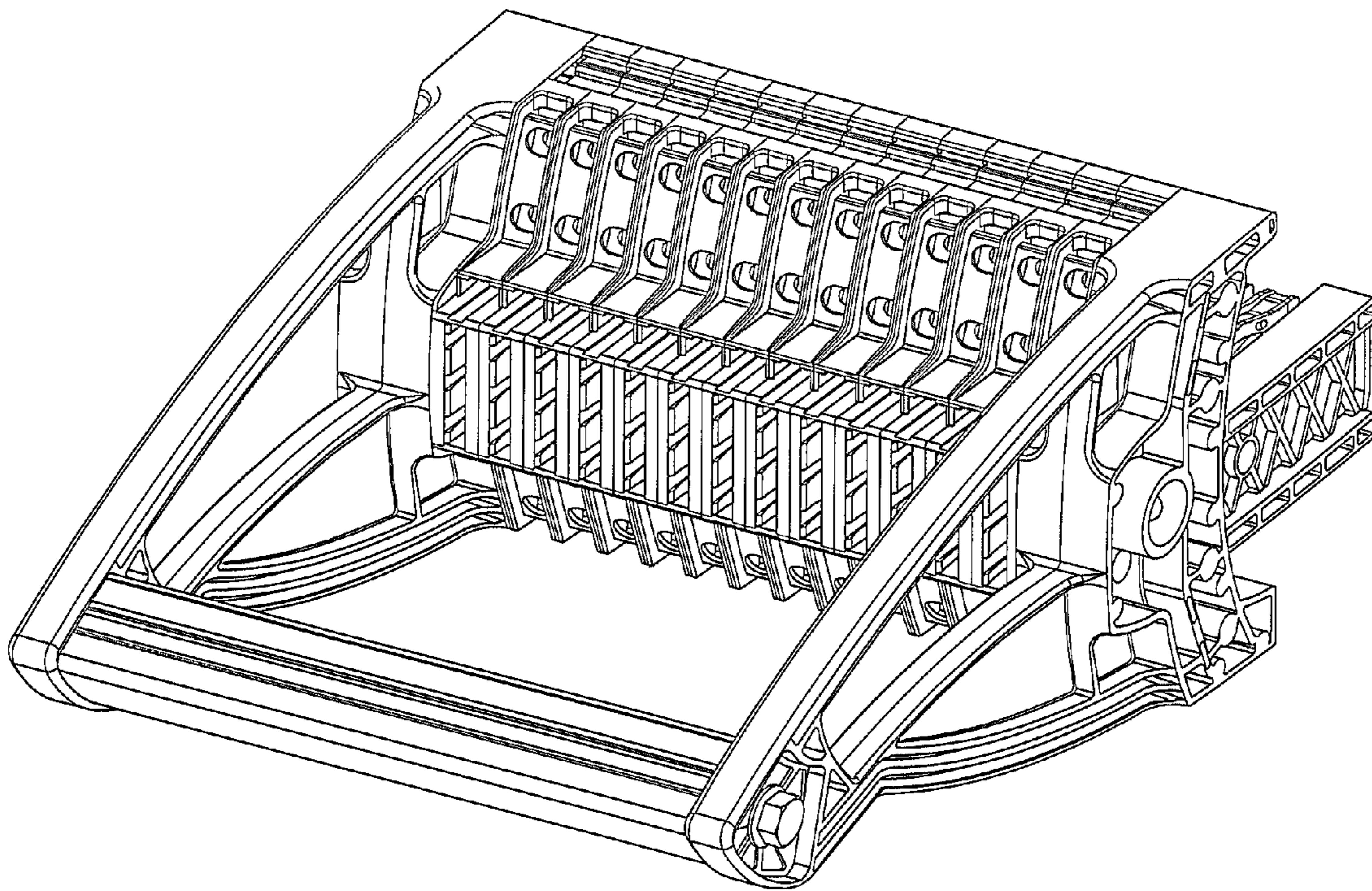


FIG. 20

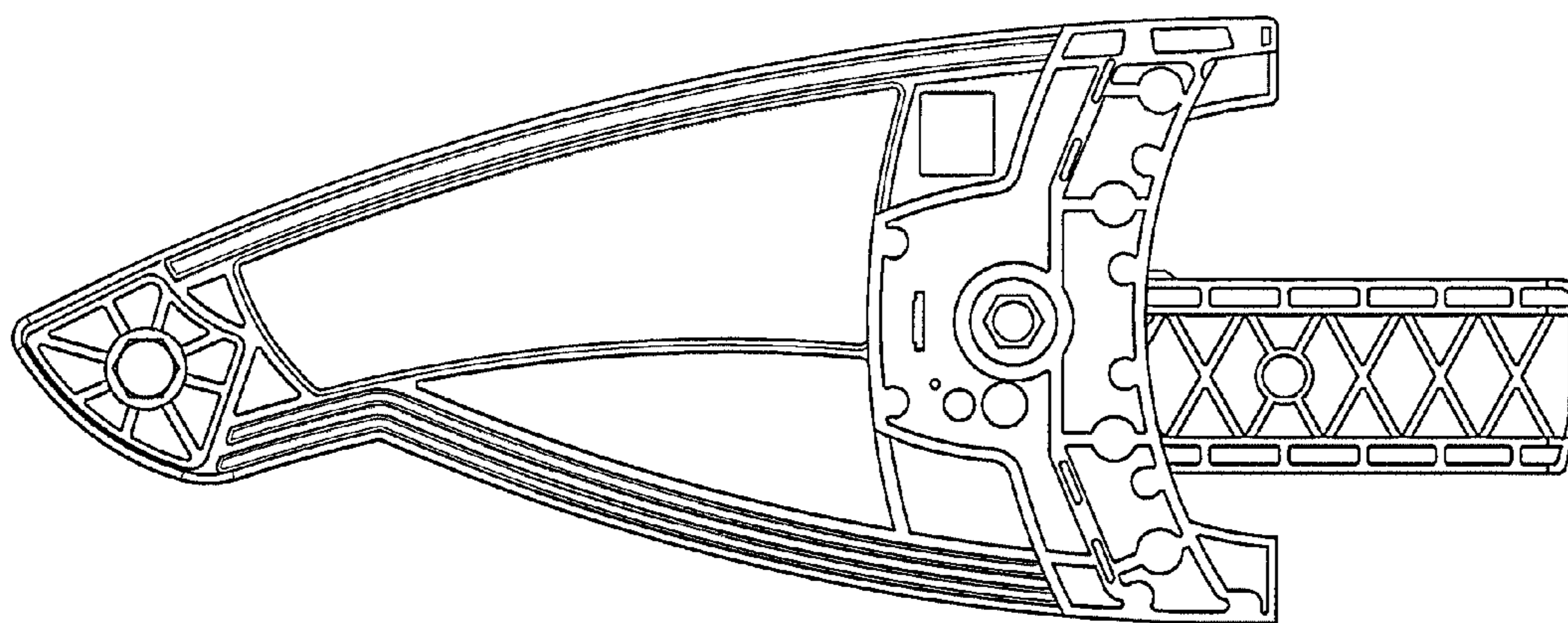


FIG. 21

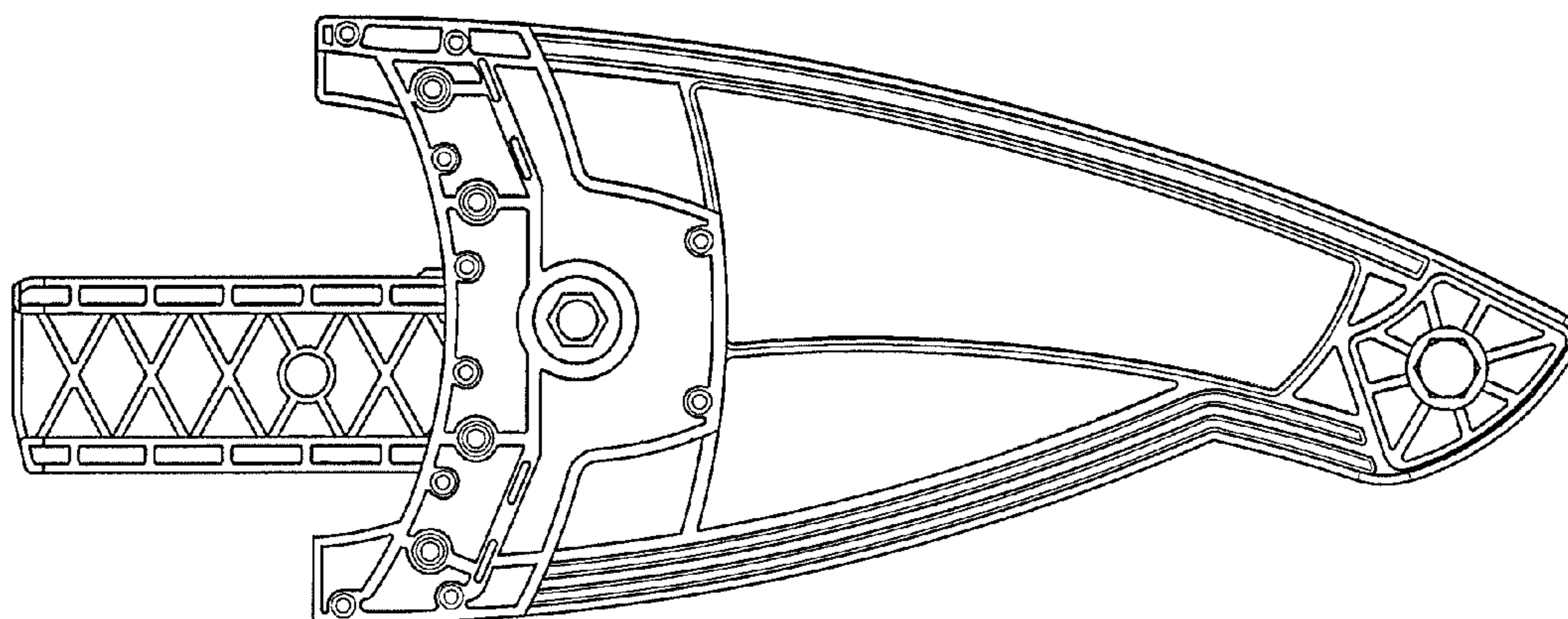


FIG. 22