



US00D731975S

(12) **United States Design Patent**  
**Ammann**

(10) **Patent No.:** **US D731,975 S**  
(45) **Date of Patent:** **\*\* Jun. 16, 2015**

(54) **ELECTRIC DEVICE PLUG**

(71) Applicant: **Schurter AG**, Lucerne (CH)  
(72) Inventor: **Sarah Ammann**, Emmenbrücke (CH)  
(73) Assignee: **SCHURTER AG**, Lucerne (CH)  
(\*\*) Term: **14 Years**

(21) Appl. No.: **29/479,623**  
(22) Filed: **Jan. 17, 2014**

(30) **Foreign Application Priority Data**

Jul. 18, 2013 (CH) ..... 140051

(51) **LOC (10) Cl.** ..... **13-03**  
(52) **U.S. Cl.**  
USPC ..... **D13/146**

(58) **Field of Classification Search**  
USPC ..... D13/146, 147, 154, 184, 199; 439/92,  
439/101, 106, 108, 151, 152, 246, 247, 266,  
439/278, 374, 476.1, 527, 606, 655, 660,  
439/682, 685, 892

See application file for complete search history.

(56) **References Cited**

U.S. PATENT DOCUMENTS

D312,240 S \* 11/1990 Esslinger ..... D13/145  
D355,163 S \* 2/1995 Dolson et al. .... D13/146  
D373,994 S \* 9/1996 Kammersgard et al. .... D13/146  
D399,822 S \* 10/1998 Starec et al. .... D13/139.1  
D543,148 S \* 5/2007 Suckle et al. .... D13/146  
D545,764 S \* 7/2007 Allison ..... D13/137.1

\* cited by examiner

*Primary Examiner* — Daniel Bui  
(74) *Attorney, Agent, or Firm* — Pearne & Gordon LLP

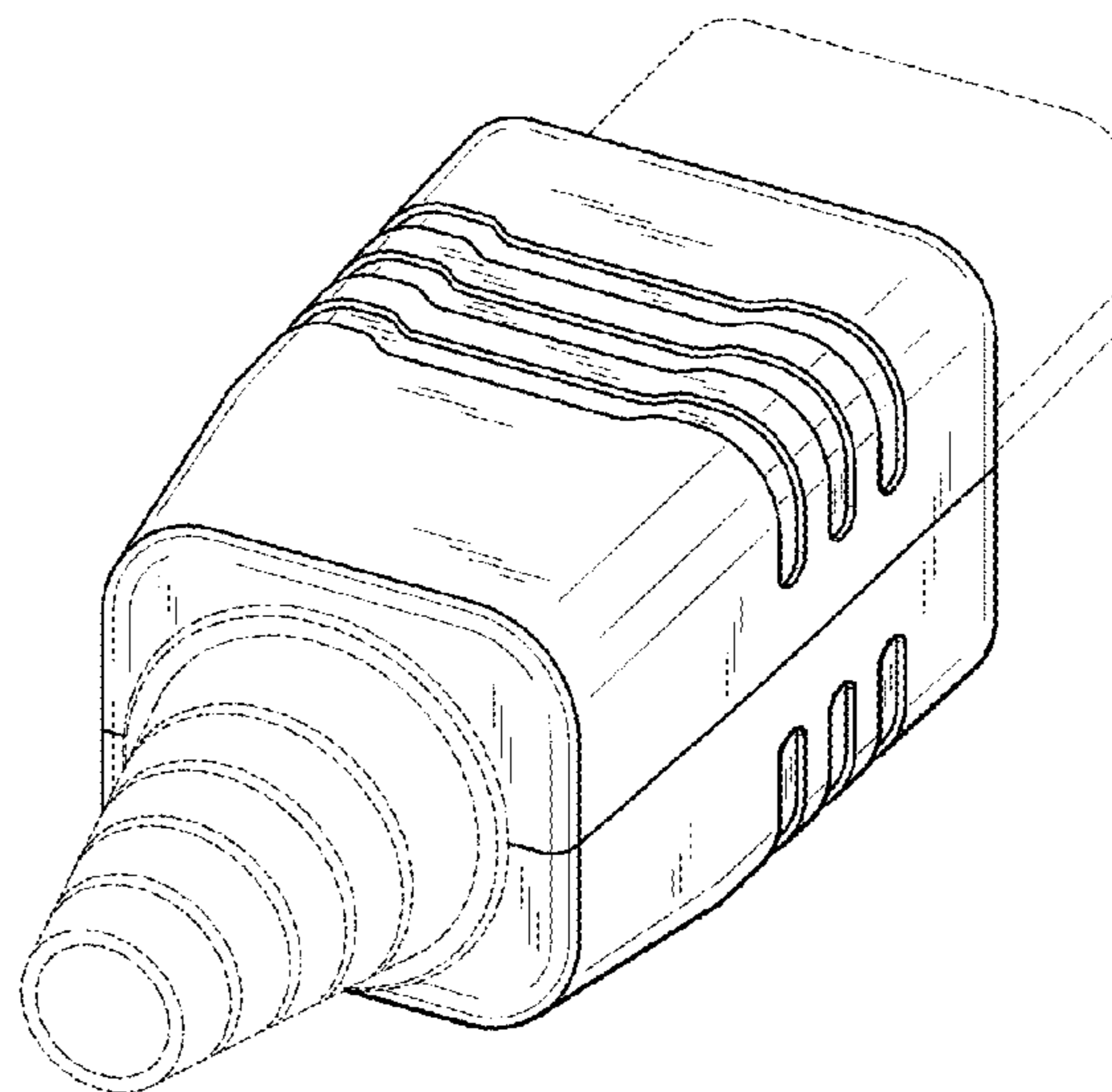
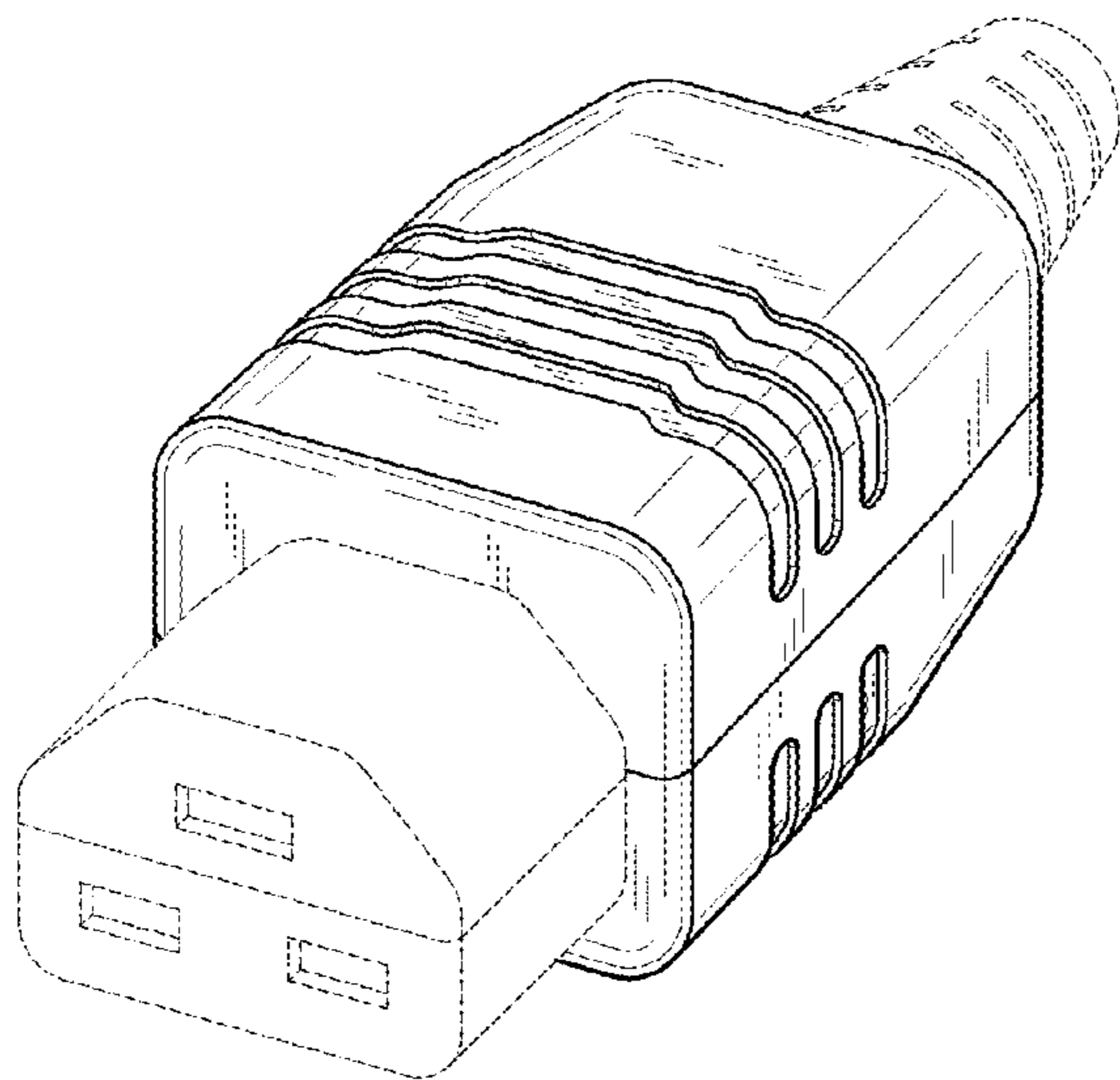
(57) **CLAIM**

The ornamental design for an electric device plug, as shown and described.

**DESCRIPTION**

FIG. 1 is a top plan view of an electric device plug showing my new design, a bottom plan view being a mirror image thereof;  
FIG. 2 is a left side elevation view thereof, a right side elevation view being a mirror image thereof;  
FIG. 3 is a front elevation view thereof;  
FIG. 4 is a front, top and right perspective view thereof; and,  
FIG. 5 is a rear, bottom and left side perspective view thereof.  
The broken lines shown in the drawing represent unclaimed environment and form no part of the claimed design.

**1 Claim, 2 Drawing Sheets**



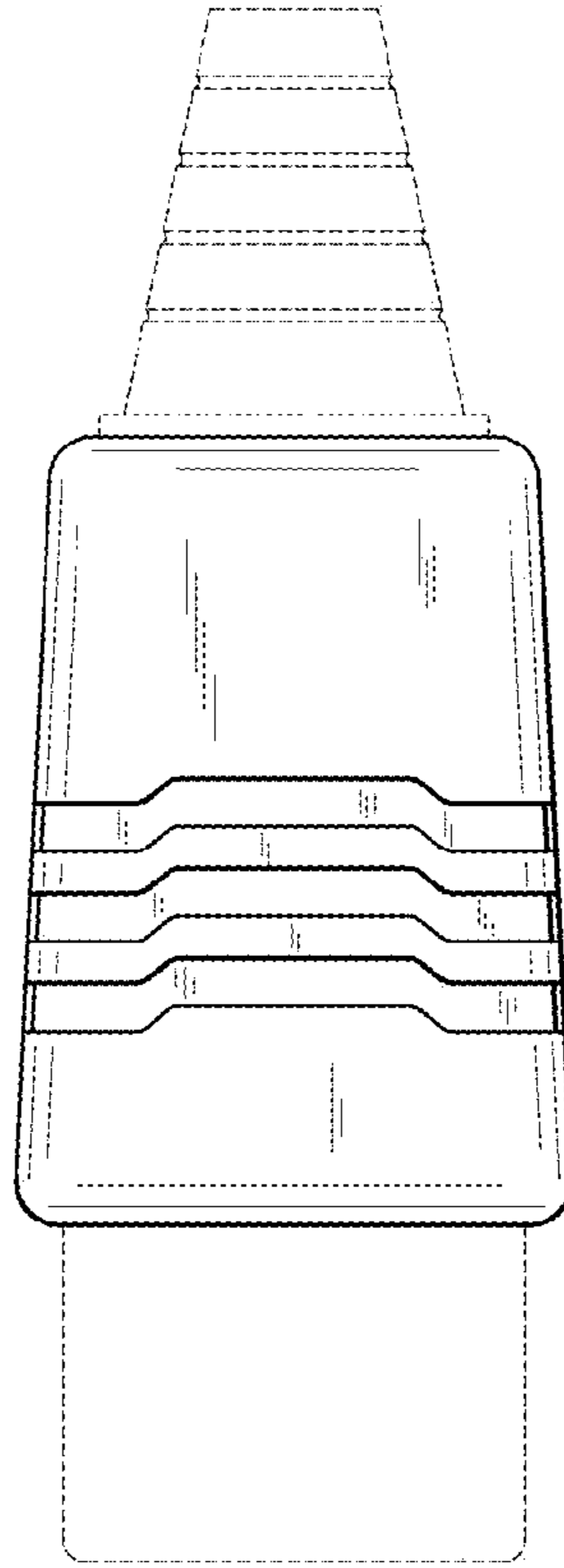


FIG. 1

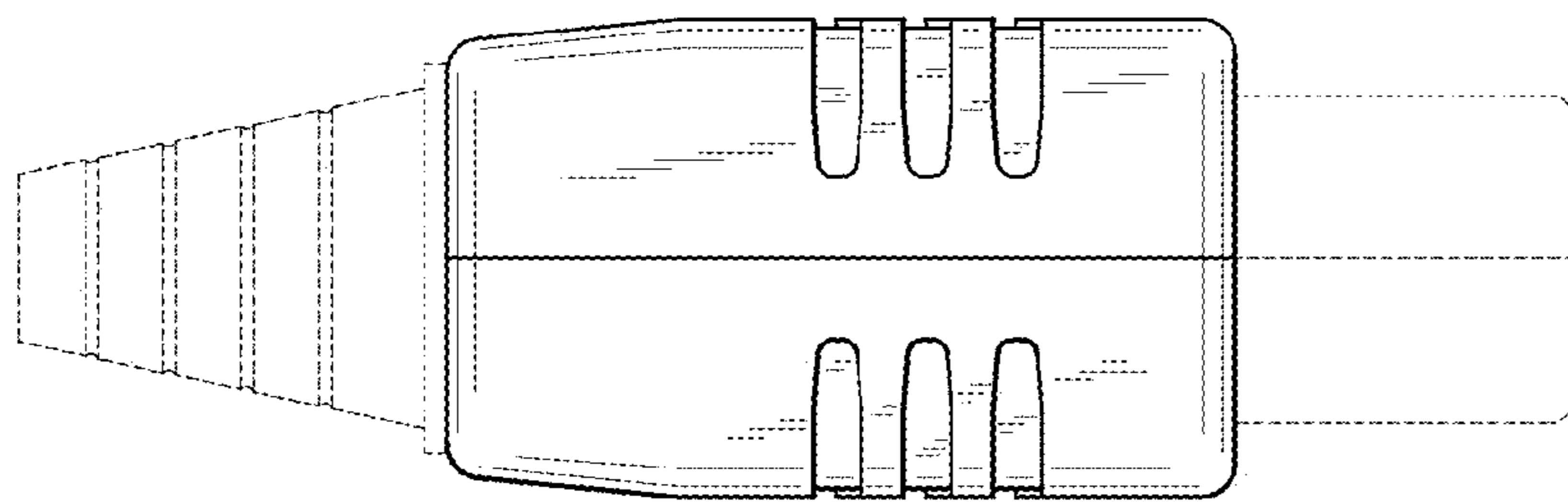


FIG. 2

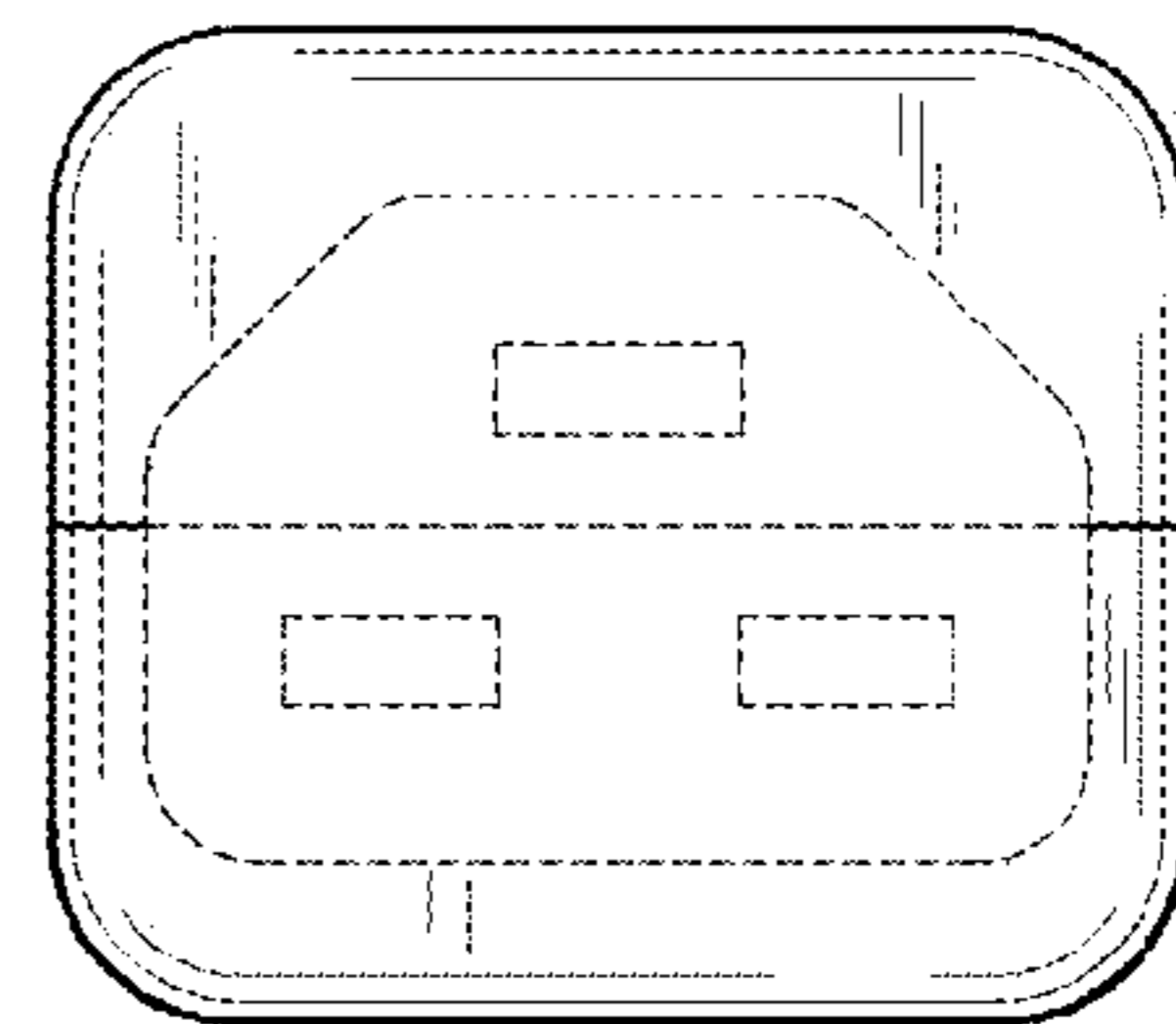


FIG. 3

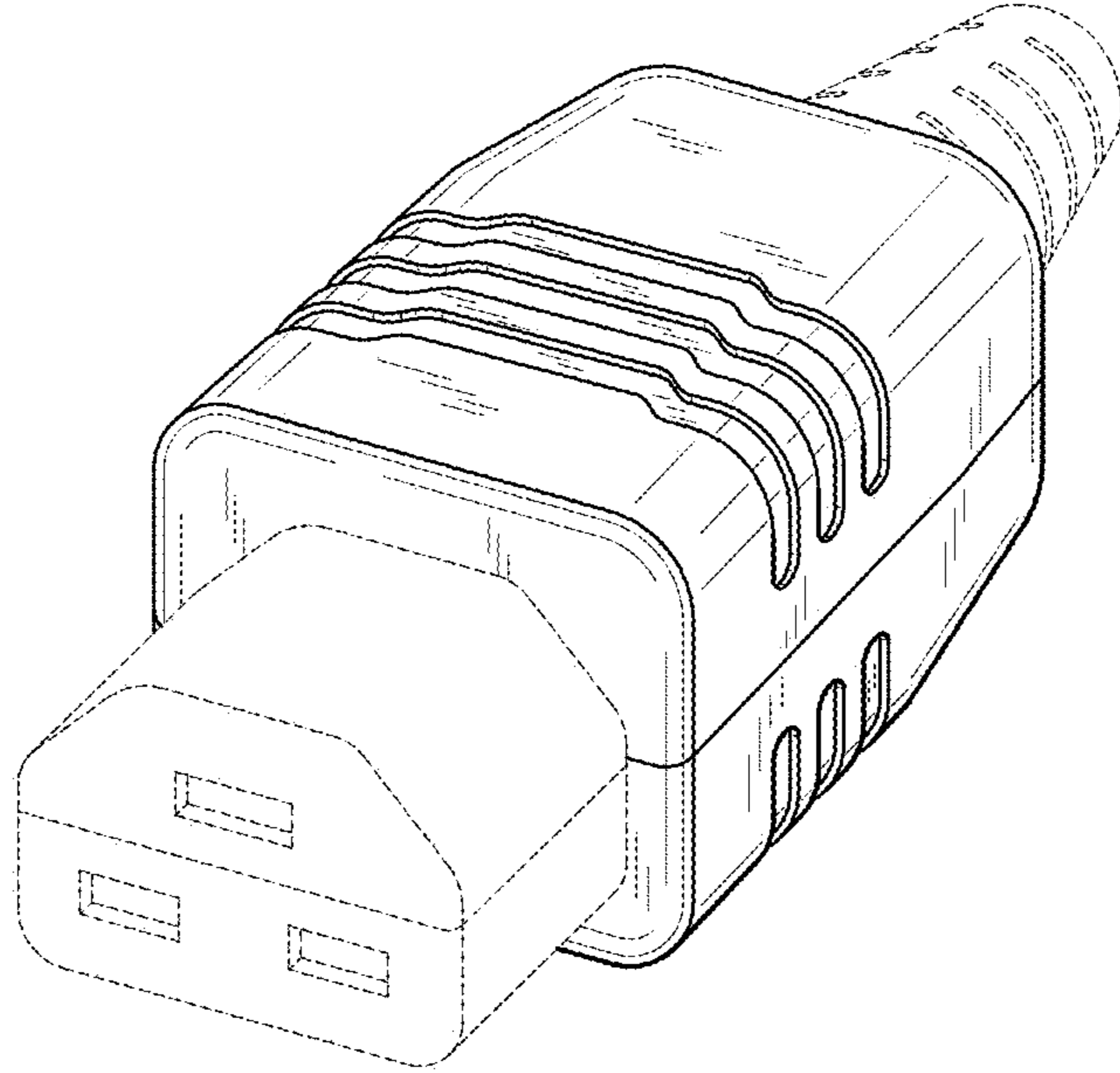


FIG. 4

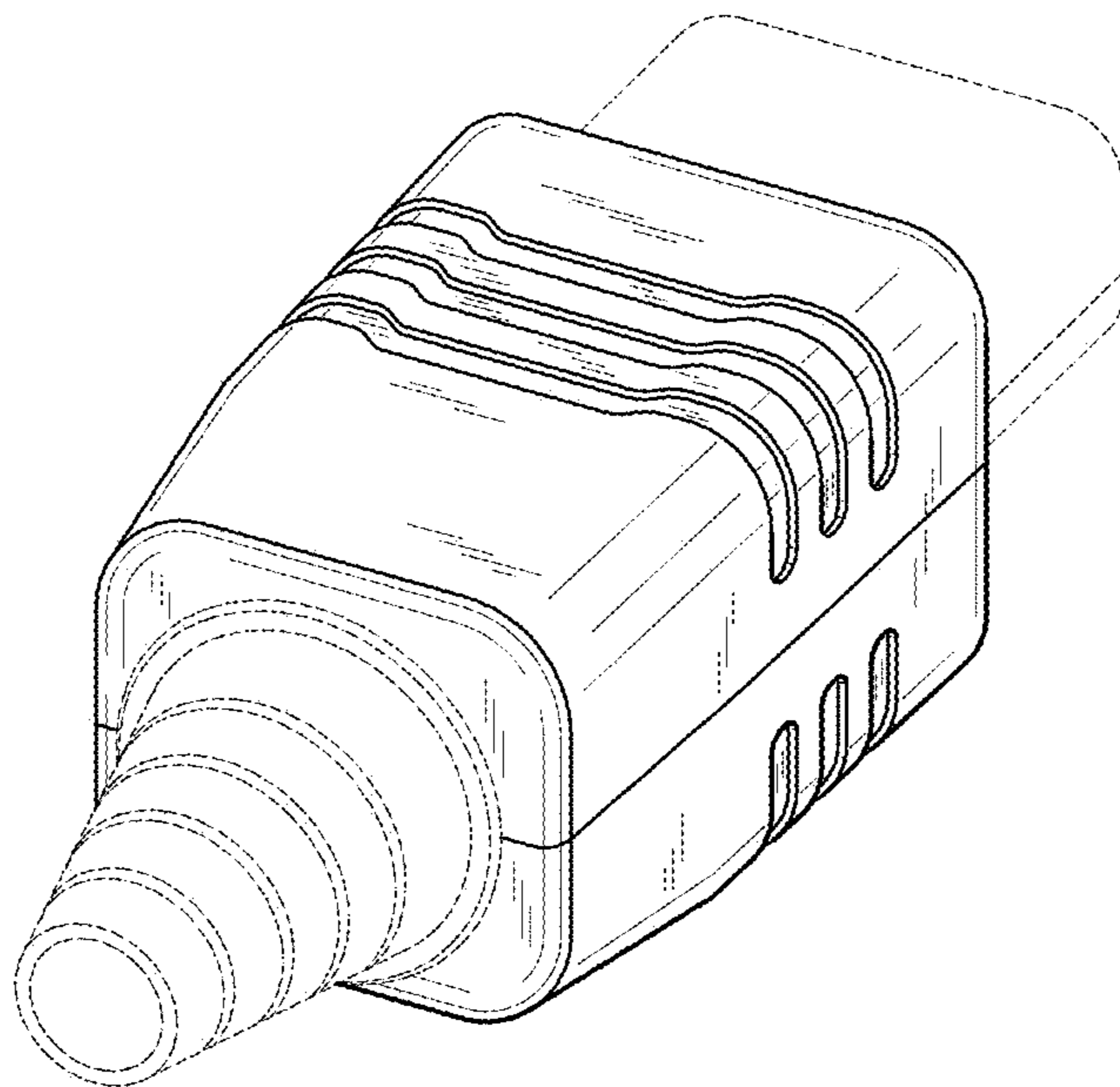


FIG. 5