



US00D731973S

(12) **United States Design Patent**
Liu

(10) **Patent No.:** **US D731,973 S**
(45) **Date of Patent:** **** Jun. 16, 2015**

(54) **BLUETOOTH FM CAR TRANSCEIVER**

(76) Inventor: **Decai Liu, Zhongshan (CN)**

(**) Term: **14 Years**

(21) Appl. No.: **29/420,198**

(22) Filed: **May 7, 2012**

(51) **LOC (10) Cl.** **13-03**

(52) **U.S. Cl.**
USPC **D13/144**

(58) **Field of Classification Search**
USPC D13/144, 154, 199; D14/155, 217, 299;
D12/415, 420; 455/41.2; 248/542,
248/205.8; 361/679.01; 73/384; 379/455;
439/529, 527, 534, 163, 164
See application file for complete search history.

(56) **References Cited**

U.S. PATENT DOCUMENTS

| | | | | | |
|-----------|------|---------|---------|-------|---------|
| 5,839,919 | A * | 11/1998 | Chen | | 439/529 |
| 7,515,709 | B2 * | 4/2009 | Richter | | 379/446 |
| D603,322 | S * | 11/2009 | Nicieja | | D12/415 |
| D676,371 | S * | 2/2013 | Son | | D12/415 |
| D695,225 | S * | 12/2013 | Chen | | D13/144 |

| | | | | | |
|--------------|------|---------|---------------|-------|------------|
| D700,573 | S * | 3/2014 | Esses | | D13/108 |
| 2002/0176571 | A1 * | 11/2002 | Louh | | 379/455 |
| 2009/0186576 | A1 * | 7/2009 | Peng | | 455/41.2 |
| 2011/0255226 | A1 * | 10/2011 | Seil et al. | | 361/679.01 |
| 2012/0048014 | A1 * | 3/2012 | Loomis et al. | | 73/384 |
| 2013/0112838 | A1 * | 5/2013 | Seil et al. | | 248/542 |
| 2014/0054338 | A1 * | 2/2014 | Casagrande | | 224/275 |
| 2014/0084126 | A1 * | 3/2014 | Seil et al. | | 248/542 |

* cited by examiner

Primary Examiner — Thomas Johannes

Assistant Examiner — Khawaja Anwar

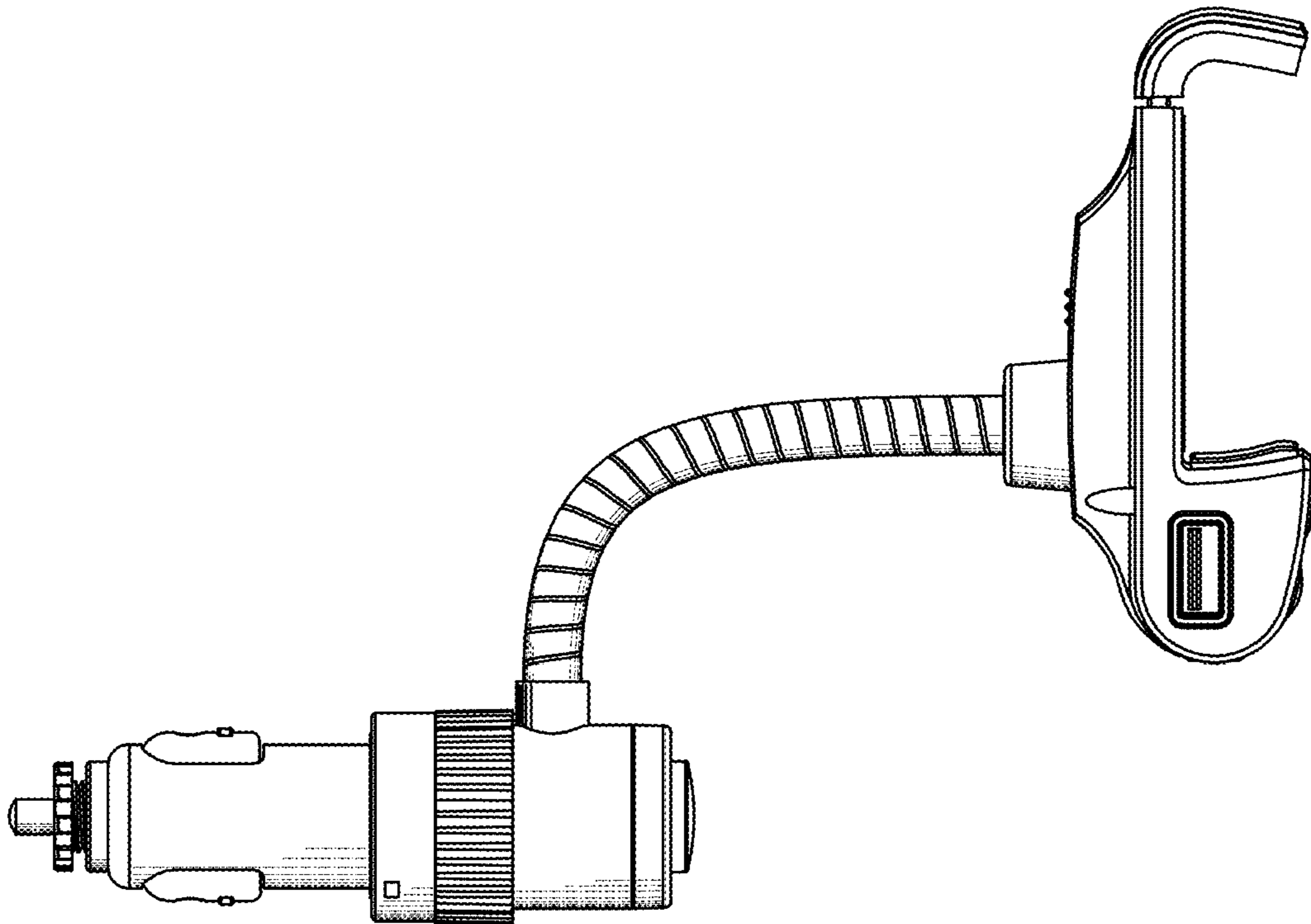
(57) **CLAIM**

The ornamental design for a bluetooth FM car transceiver, as shown and described.

DESCRIPTION

FIG. 1 is a front view of the bluetooth FM car transceiver;
FIG. 2 is a rear view thereof;
FIG. 3 is a left view thereof;
FIG. 4 is a right view thereof;
FIG. 5 is a top view thereof;
FIG. 6 is a bottom view thereof; and,
FIG. 7 is a perspective view thereof.

1 Claim, 7 Drawing Sheets



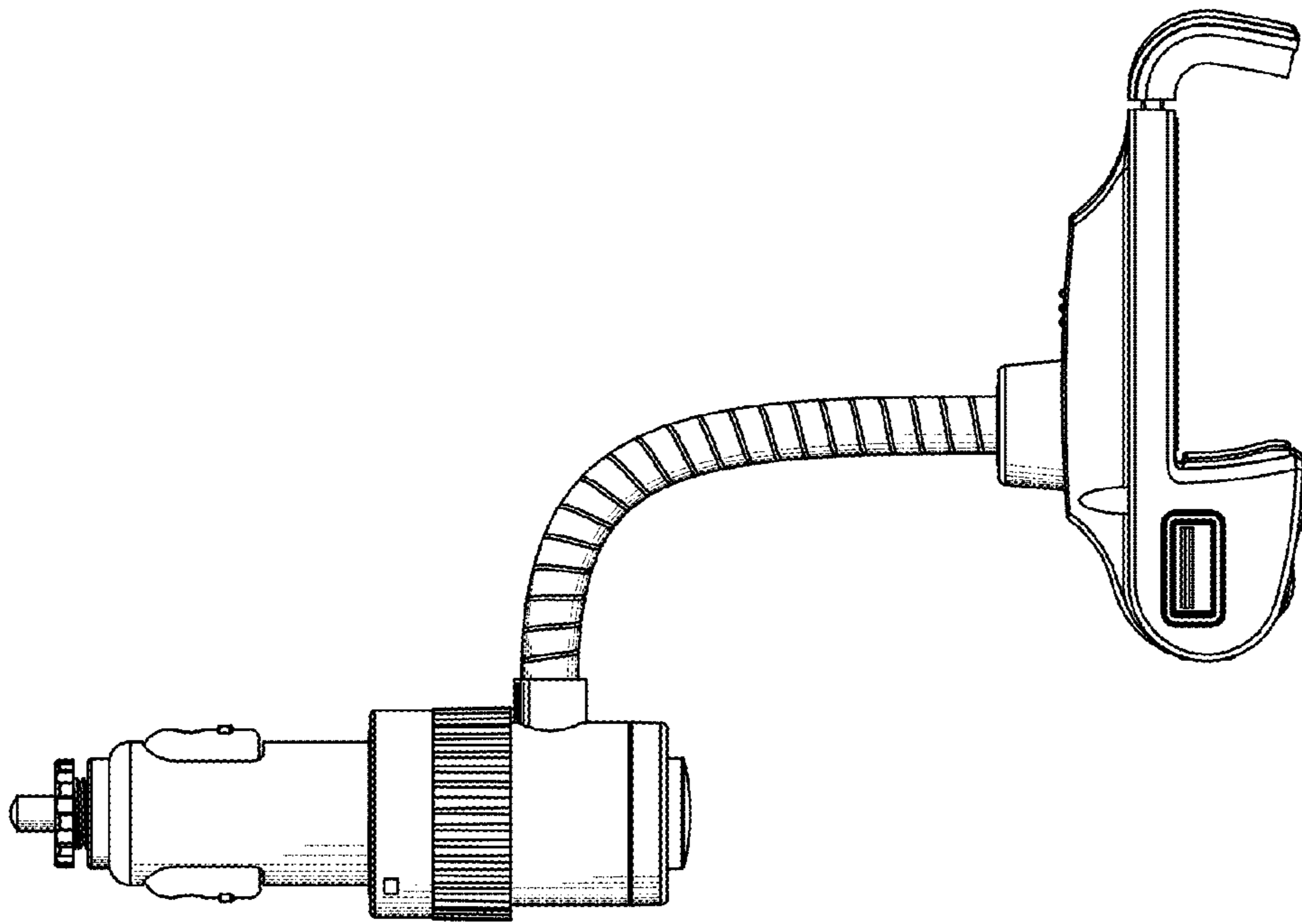


FIG.1

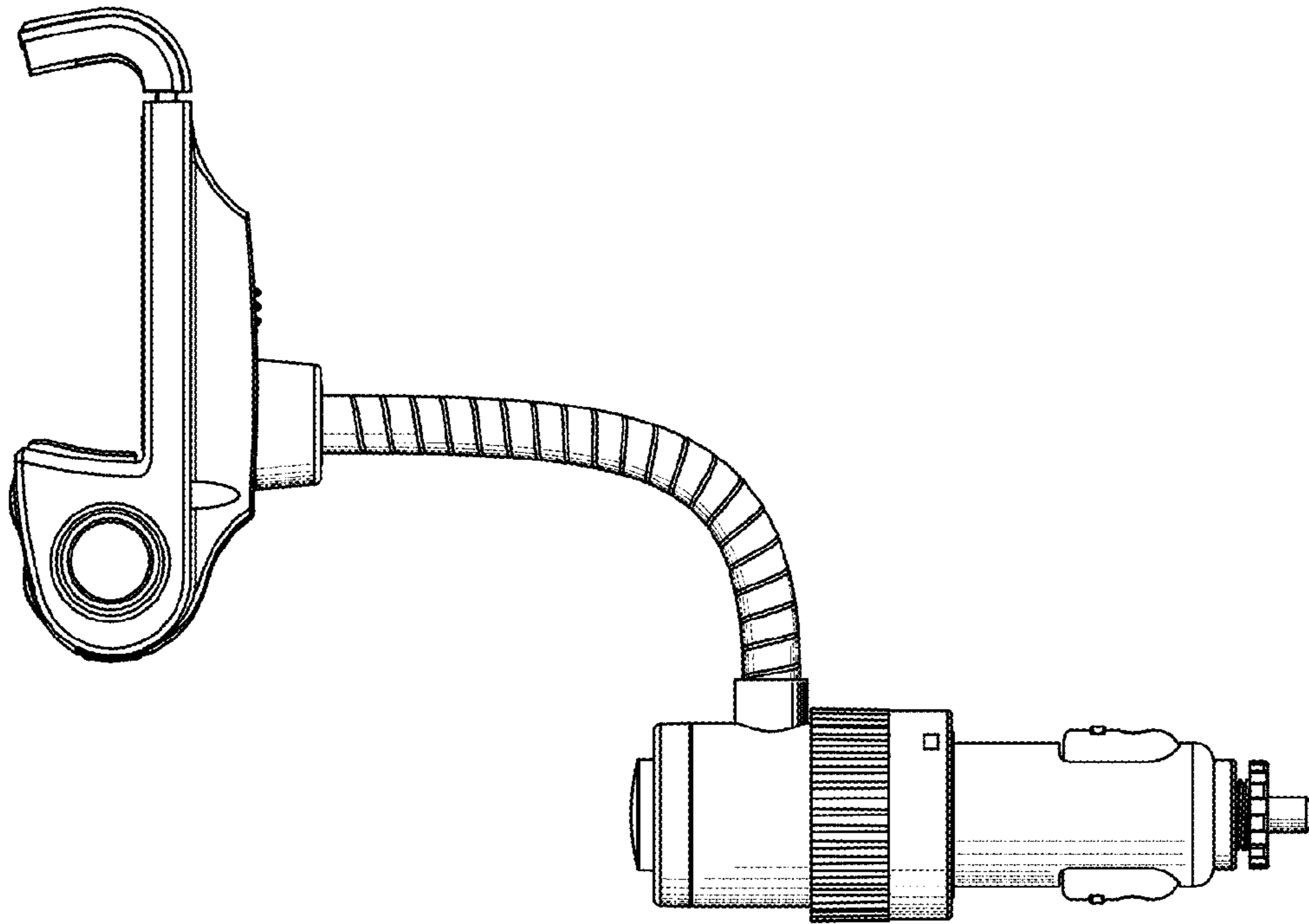


FIG.2

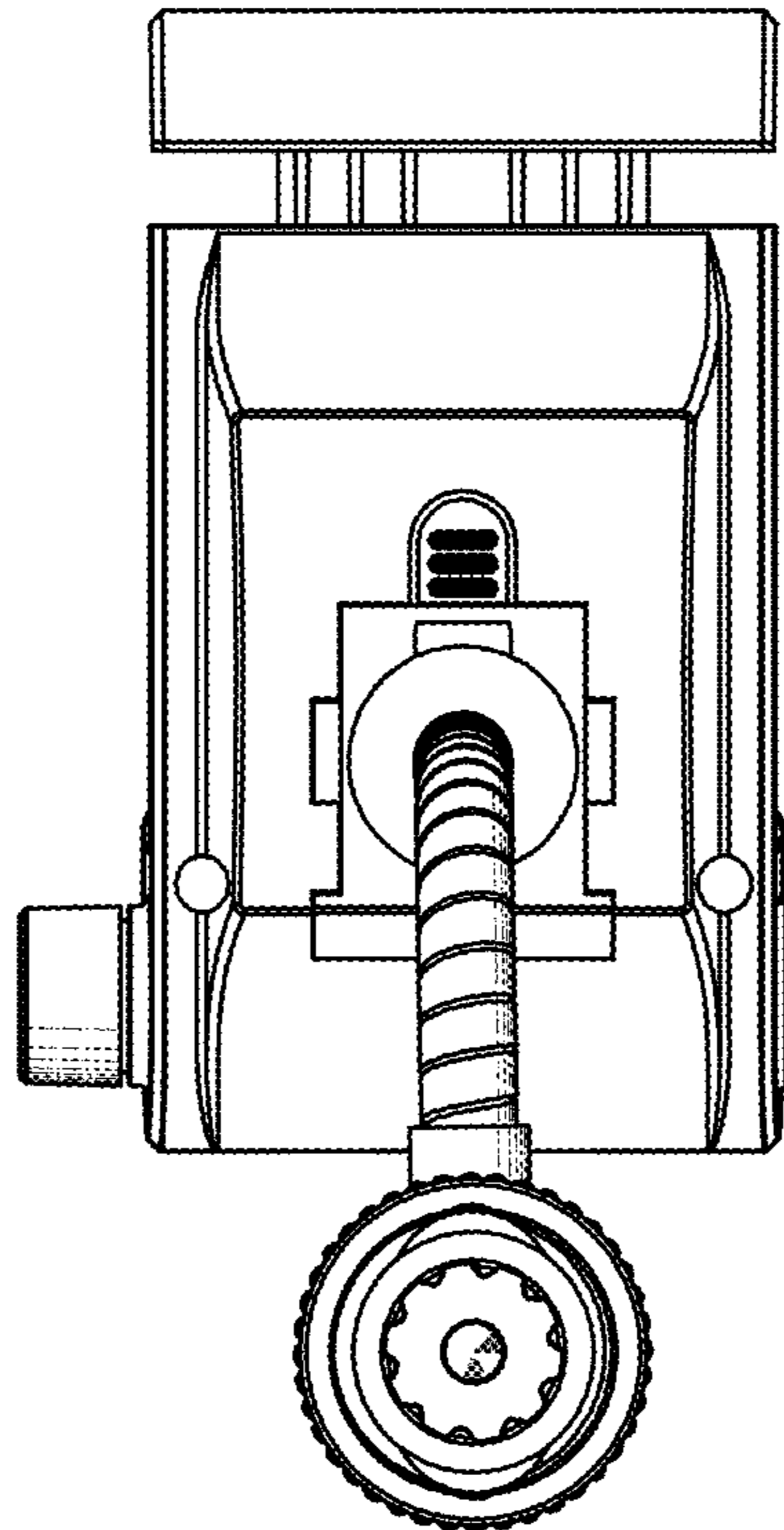


FIG.3

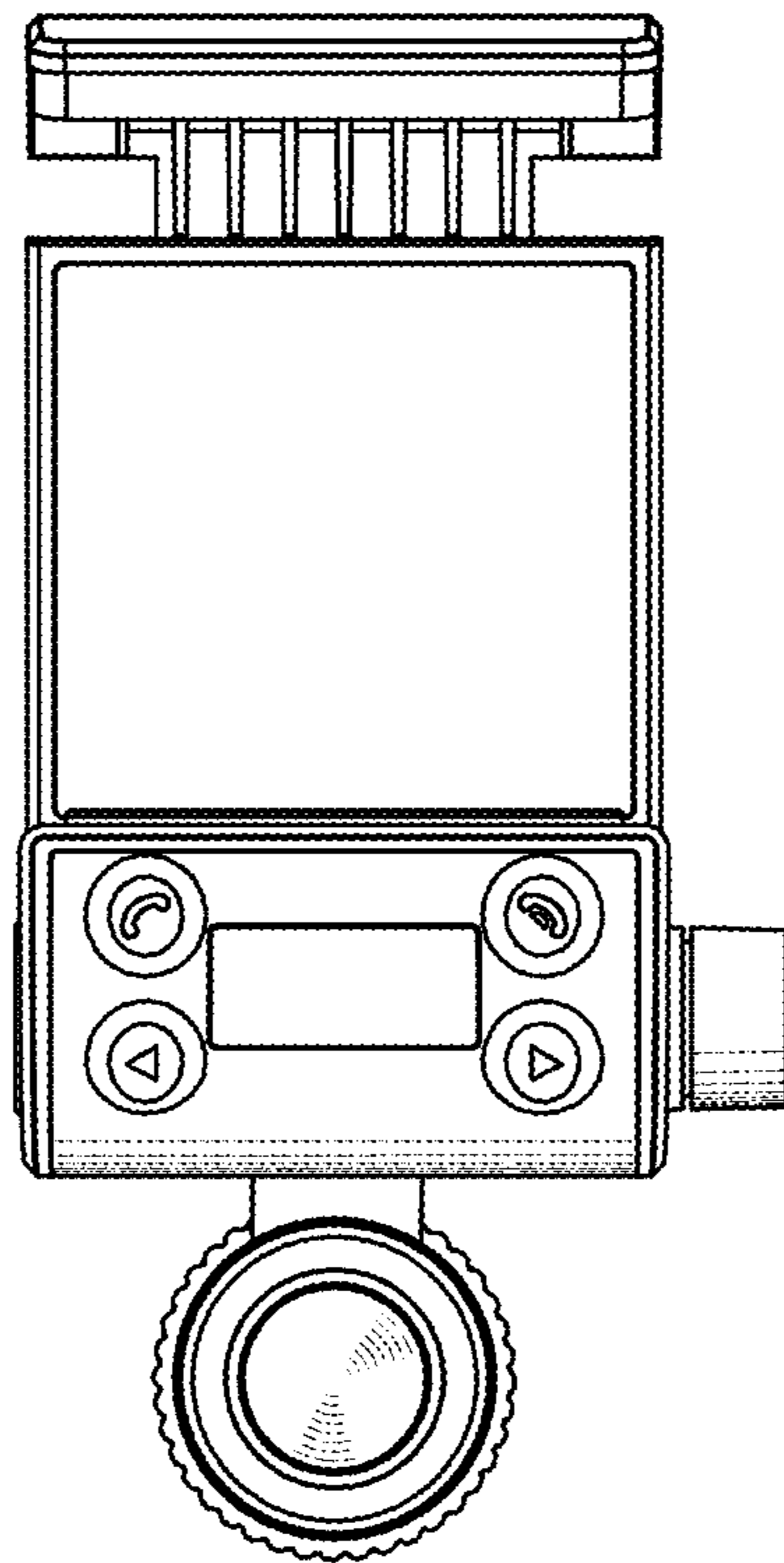


FIG.4

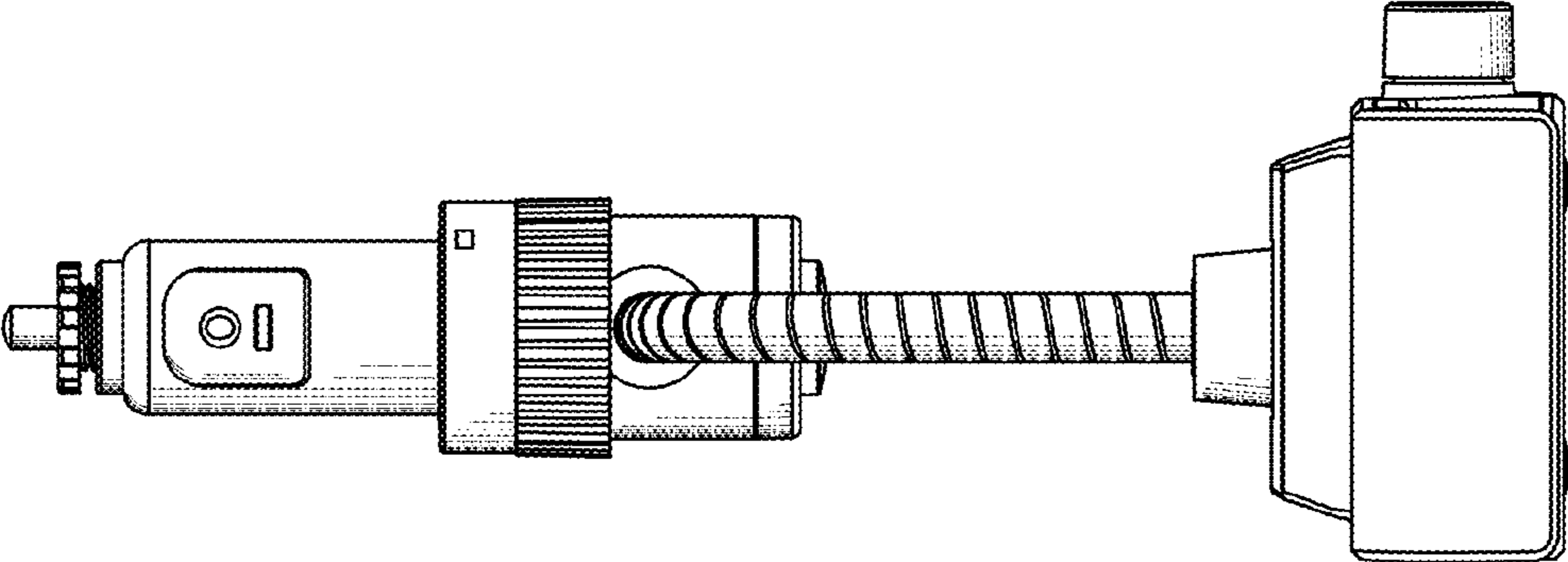


FIG.5

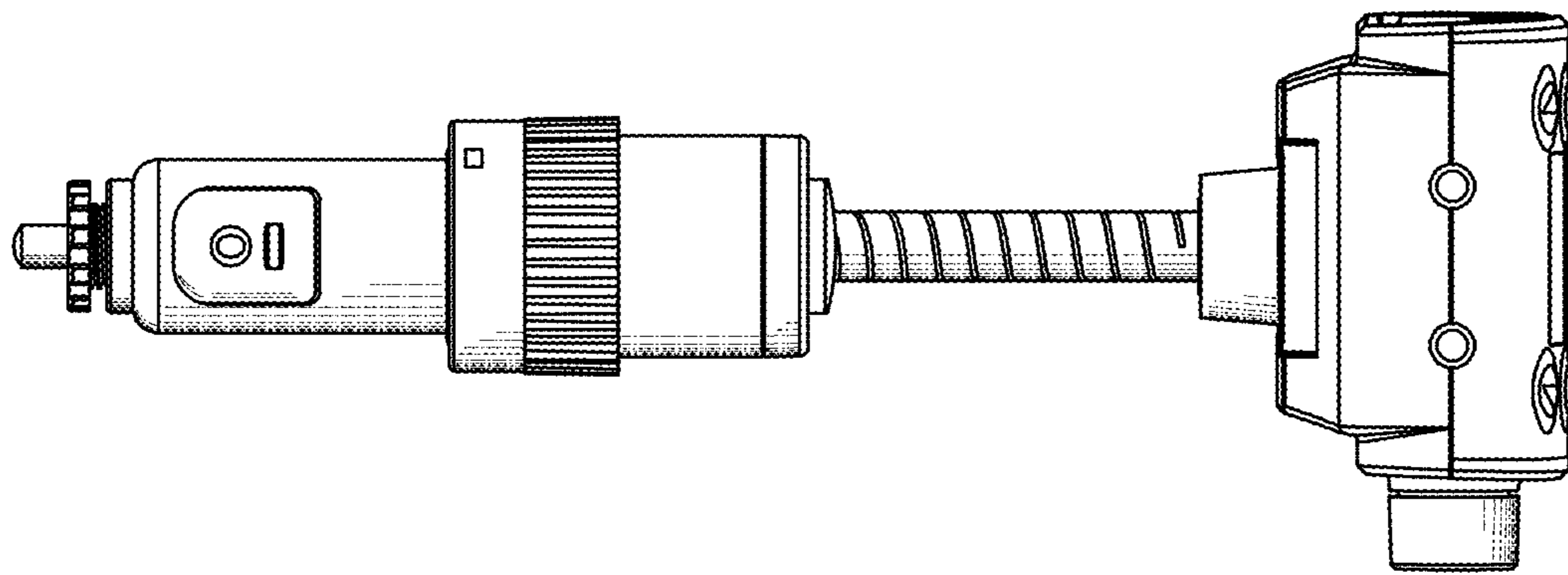


FIG.6

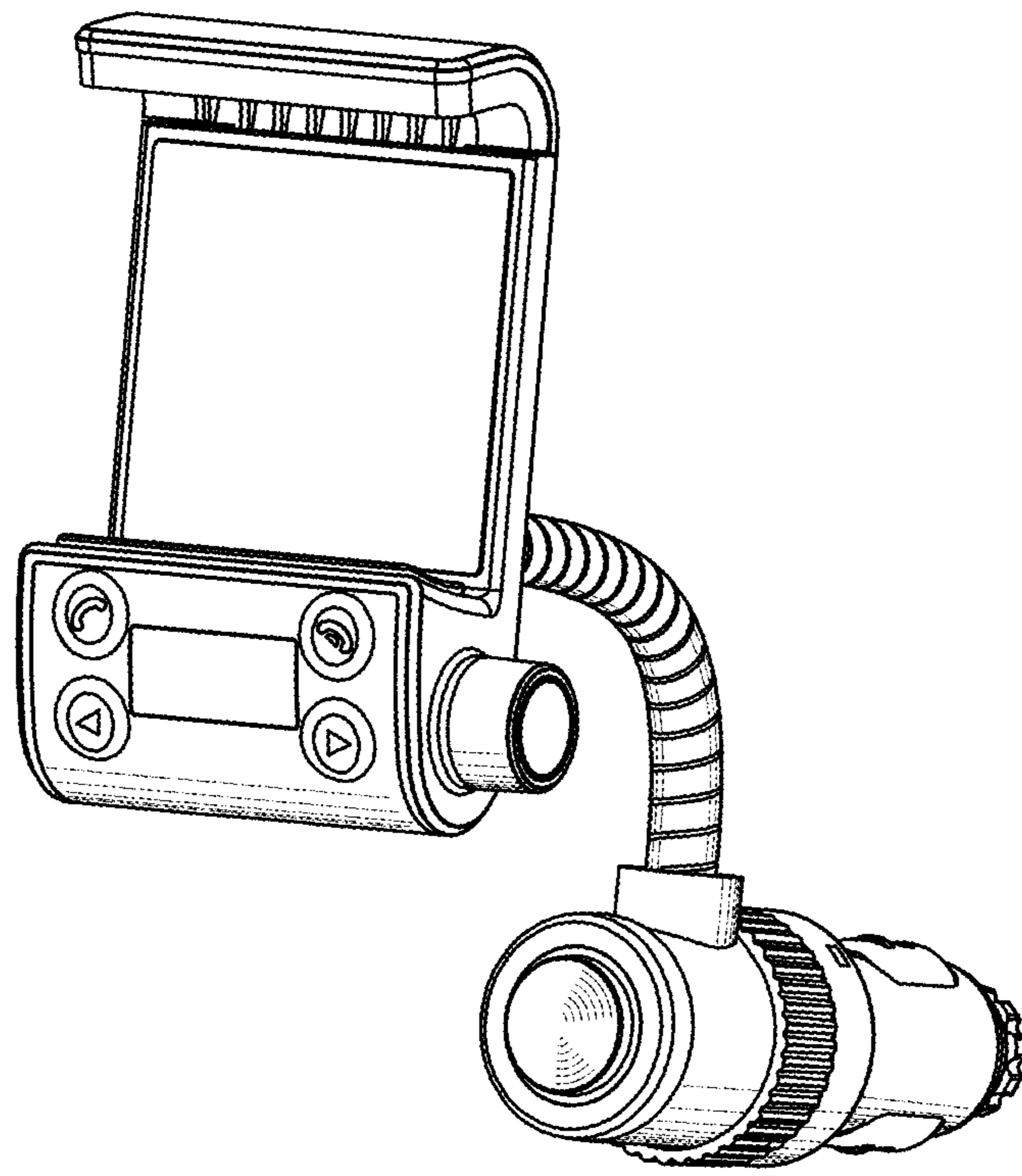


FIG.7

UNITED STATES PATENT AND TRADEMARK OFFICE
CERTIFICATE OF CORRECTION

PATENT NO. : D731,973 S
APPLICATION NO. : 29/420198
DATED : June 16, 2015
INVENTOR(S) : Decai Liu, Xing Xu and Huiqiang Lian

Page 1 of 1

It is certified that error appears in the above-identified patent and that said Letters Patent is hereby corrected as shown below:

On the title page item 76

Two inventors, namely Xing Xu and Huiqiang Lian, should be added to the list of inventors.

Signed and Sealed this
Eighth Day of March, 2016



Michelle K. Lee
Director of the United States Patent and Trademark Office