



US00D731972S

(12) **United States Design Patent**
Liu

(10) **Patent No.:** **US D731,972 S**
(45) **Date of Patent:** **** Jun. 16, 2015**

(54) **ELECTRONIC CONNECTOR**

(71) Applicant: **OTTER PRODUCTS, LLC**, Fort Collins, CO (US)
(72) Inventor: **Feng Song Liu**, San Diego, CA (US)
(73) Assignee: **OTTER PRODUCTS, LLC**, Fort Collins, CO (US)

(**) Term: **14 Years**

(21) Appl. No.: **29/476,184**

(22) Filed: **Dec. 11, 2013**

(51) **LOC (10) Cl.** **13-04**

(52) **U.S. Cl.**
USPC **D13/133**

(58) **Field of Classification Search**
USPC D13/133, 144, 148, 153, 154, 184, 199;
D14/205, 217, 233, 299; 181/129, 130,
181/135; 379/430, 431; 381/71.6, 376
CPC H01R 24/00; H01R 24/04; H01R 24/58;
H01R 13/00; H01R 13/585; H01R 3/00;
H01R 1/10; H01R 1/1033; H01R 3/002;
H01R 25/00

See application file for complete search history.

(56) **References Cited**

U.S. PATENT DOCUMENTS

D450,298 S *	11/2001	Suzuki	D13/133
D559,781 S *	1/2008	Victor	D13/133
D579,413 S *	10/2008	Ball et al.	D13/133
D597,084 S *	7/2009	Gondo	D14/223
D624,056 S *	9/2010	Kolton	D14/223
D666,996 S *	9/2012	Hardi et al.	D14/223
D716,273 S *	10/2014	Yamamoto	D14/223

* cited by examiner

Primary Examiner — Thomas Johannes
Assistant Examiner — Shawn T Gingrich

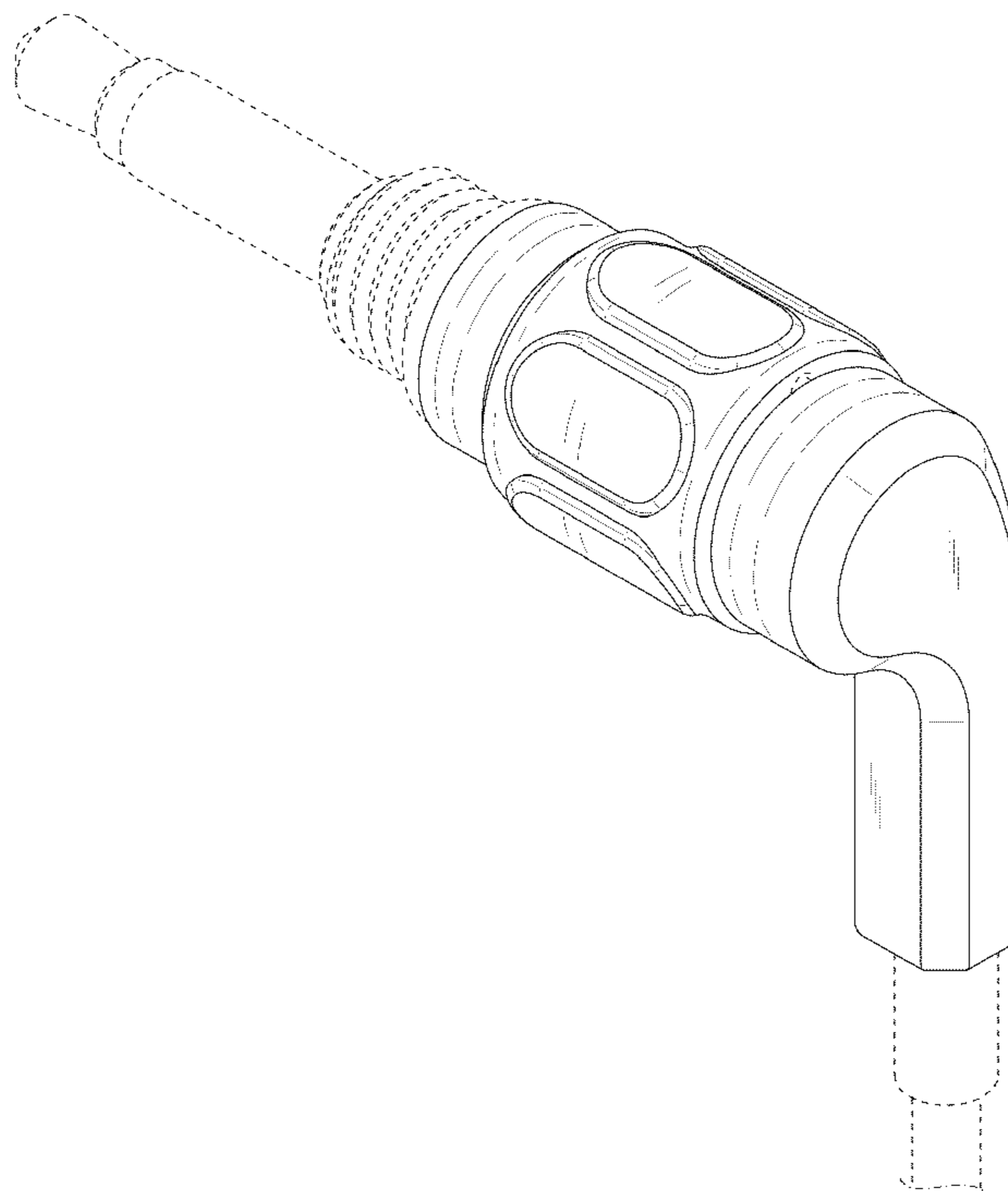
(57) **CLAIM**

The ornamental design for an electronic connector, as shown and described.

DESCRIPTION

FIG. 1 is a front isometric view of an electronic connector showing our new design;
FIG. 2 is a rear isometric view thereof;
FIG. 3 is a front view thereof;
FIG. 4 is a rear view thereof;
FIG. 5 is a left view thereof;
FIG. 6 is a right view thereof;
FIG. 7 is a top view thereof; and,
FIG. 8 is a bottom view thereof.
The Dash-Dash broken lines show unclaimed environment and form no part of the claimed design. The wavy Dot-Dash broken line is included to show an unclaimed boundary line and forms no part of the claimed design.

1 Claim, 6 Drawing Sheets



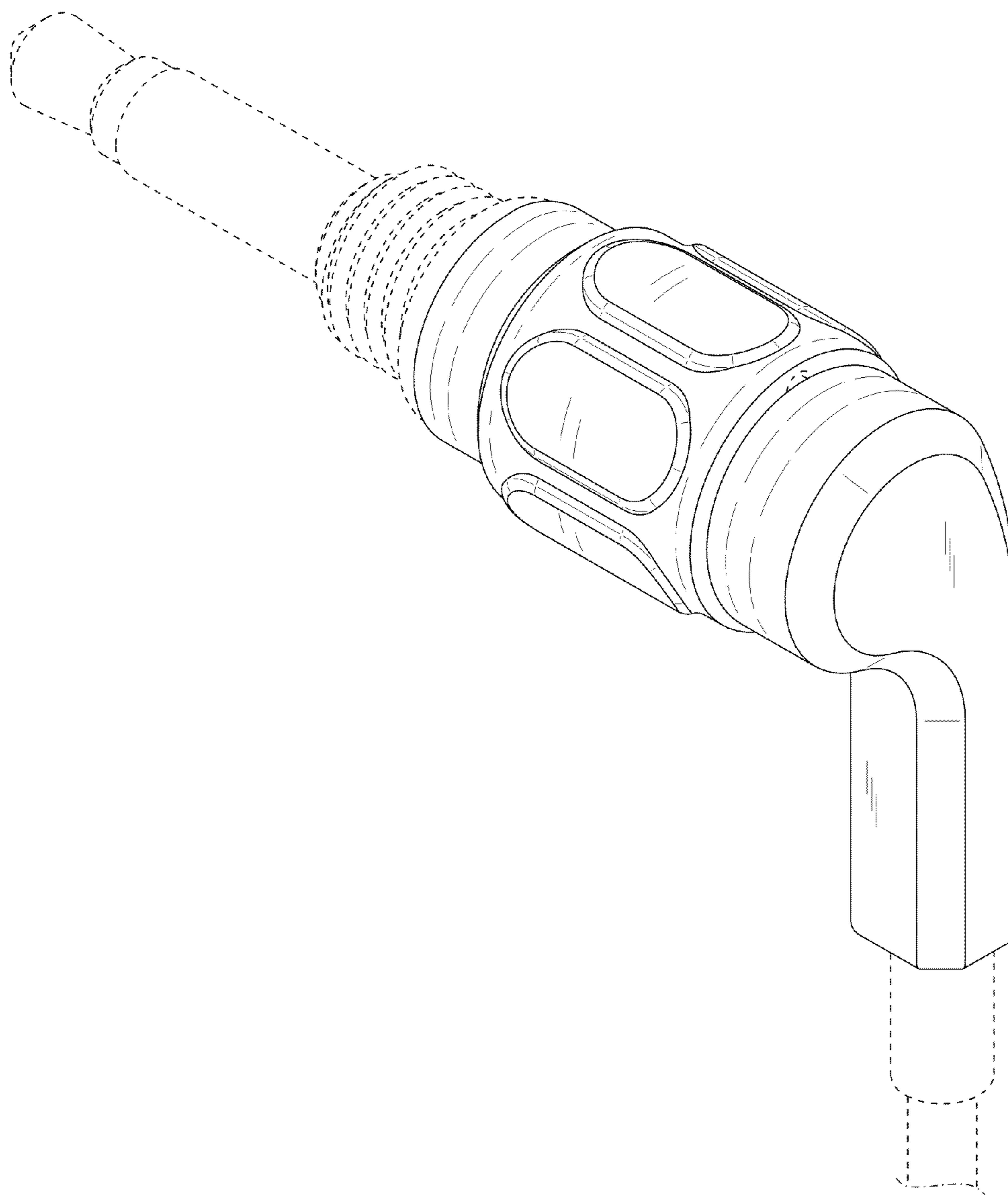


FIG. 1

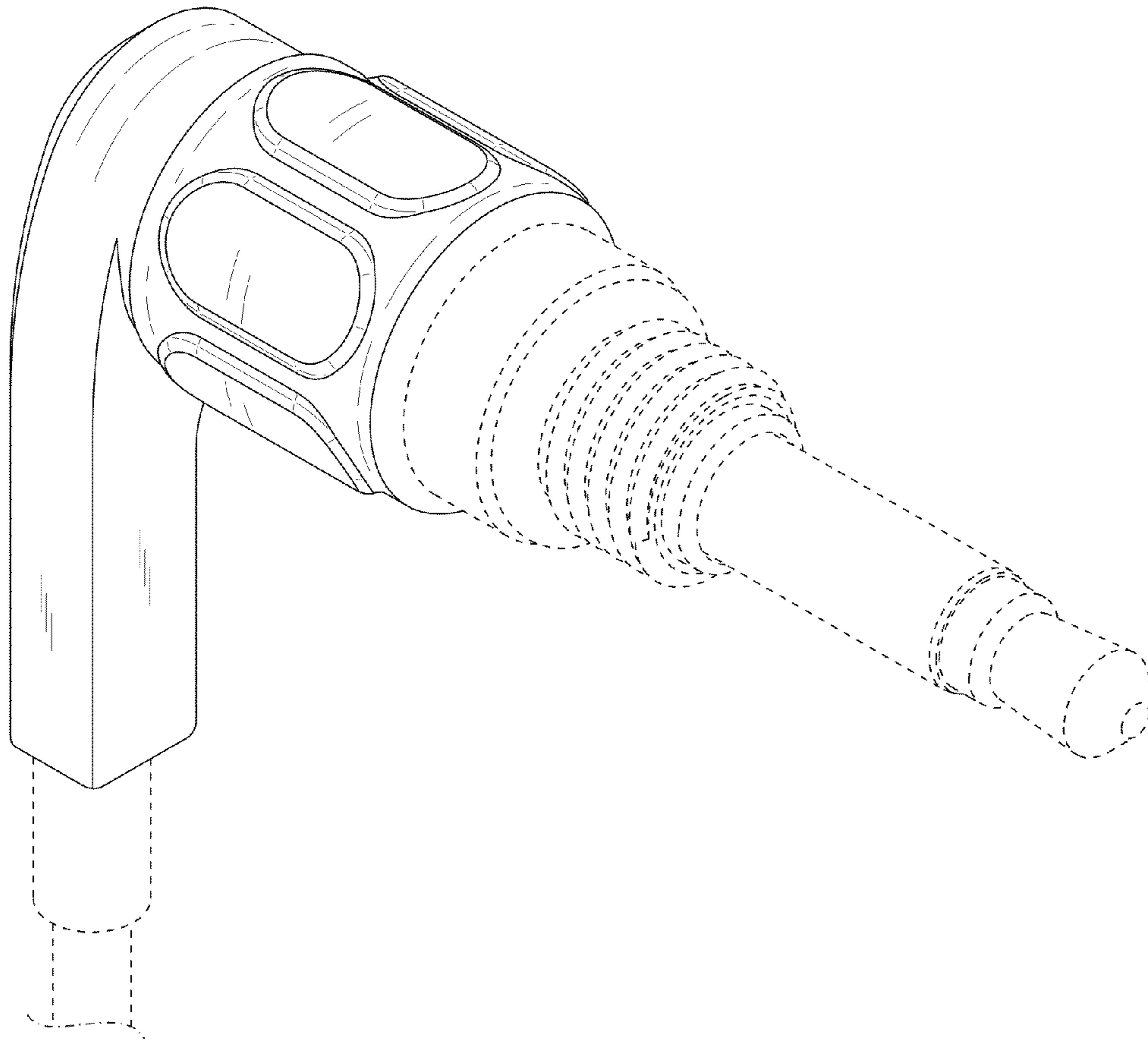


FIG. 2

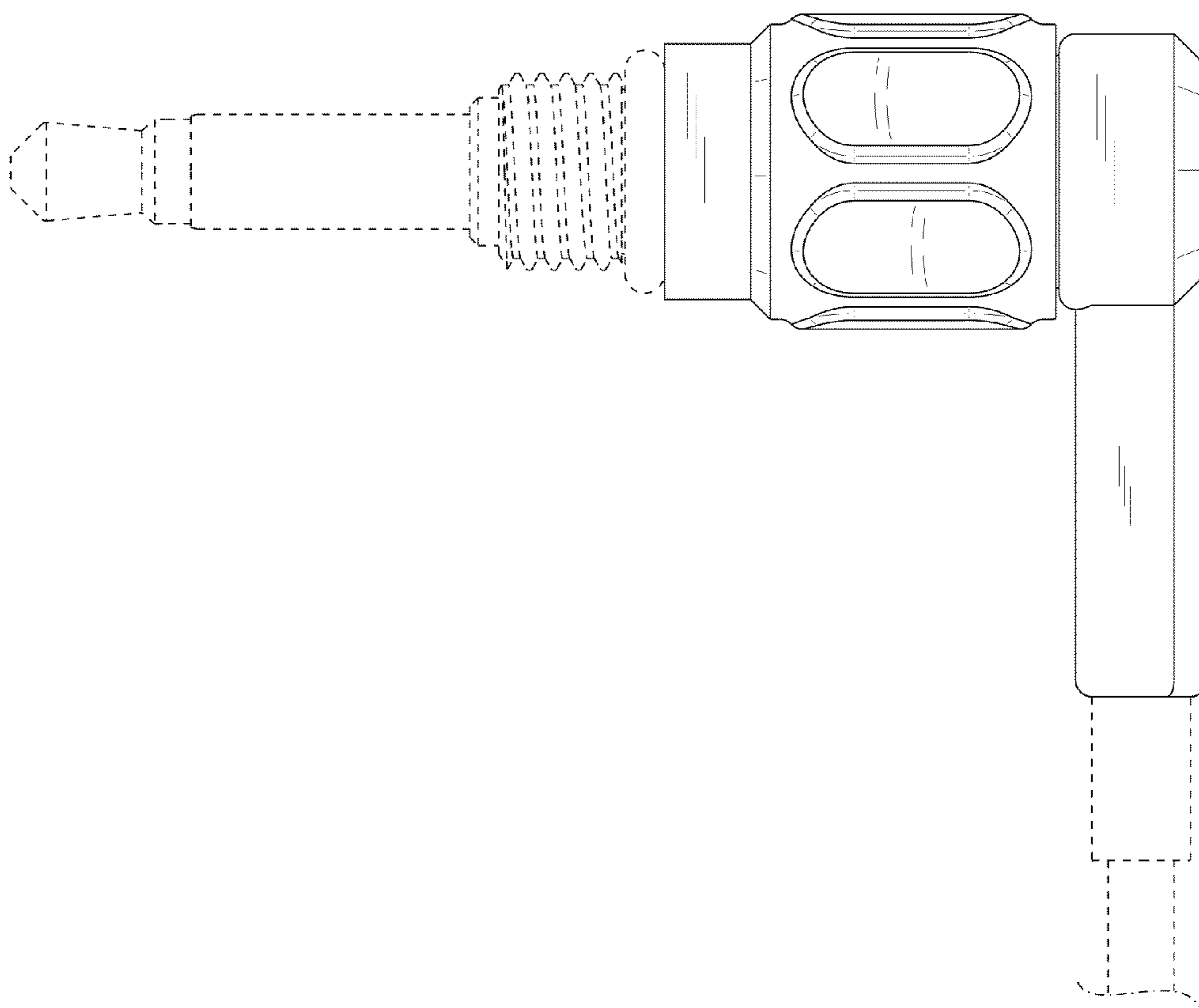


FIG. 3

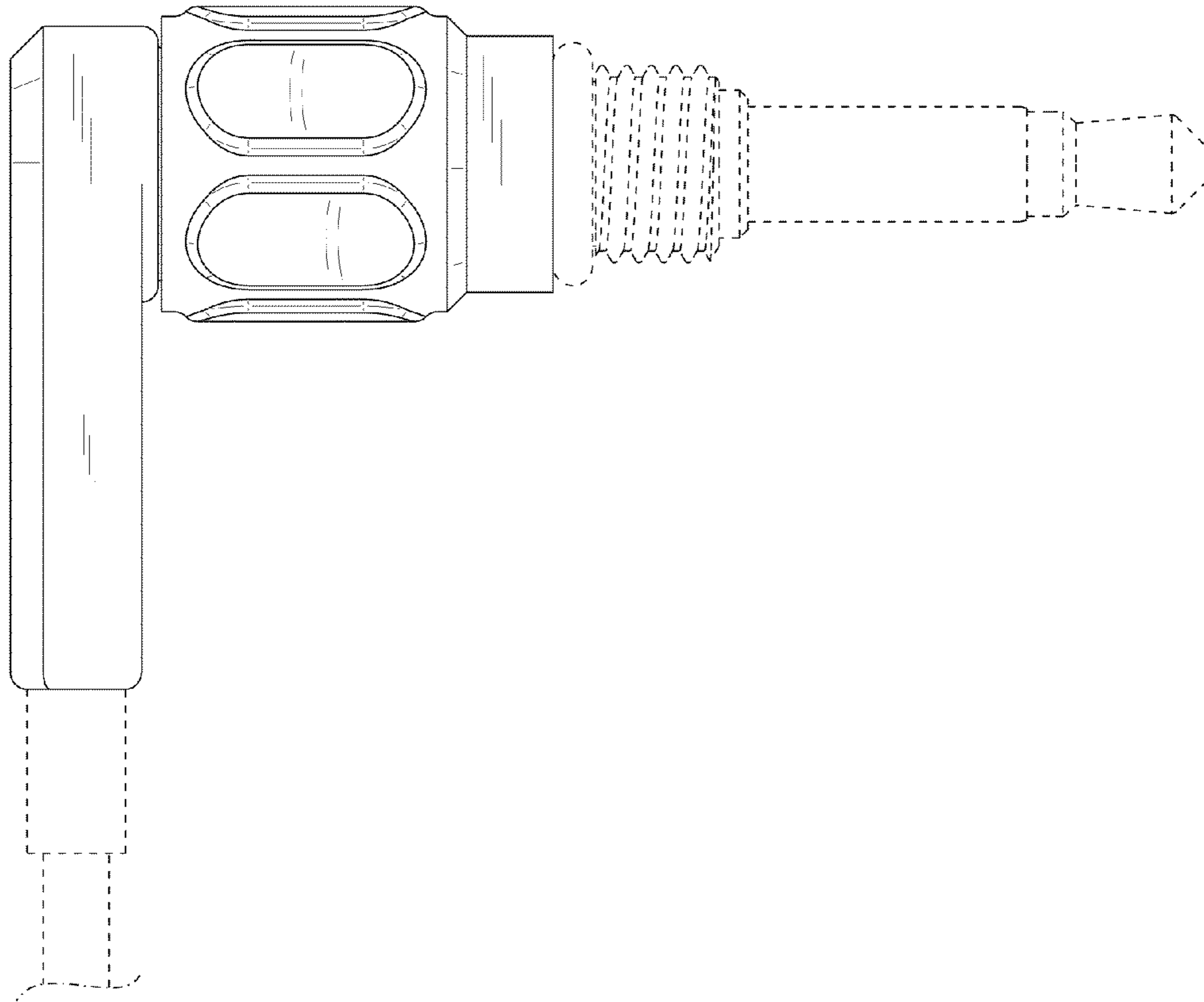


FIG. 4

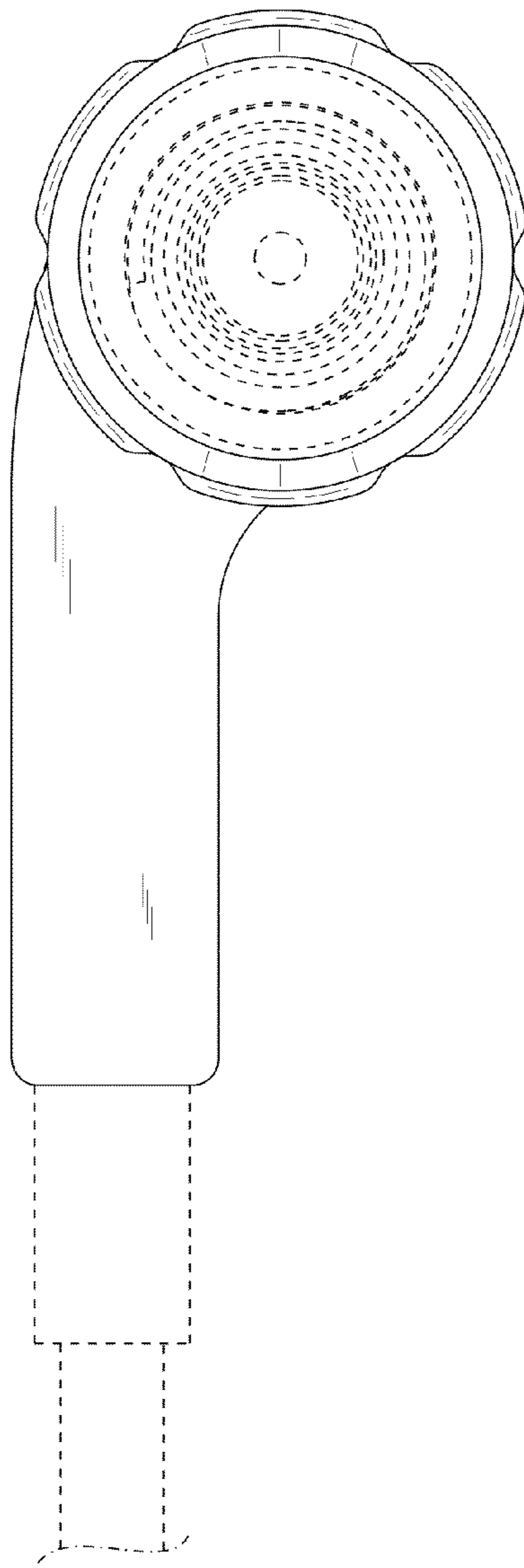


FIG. 5

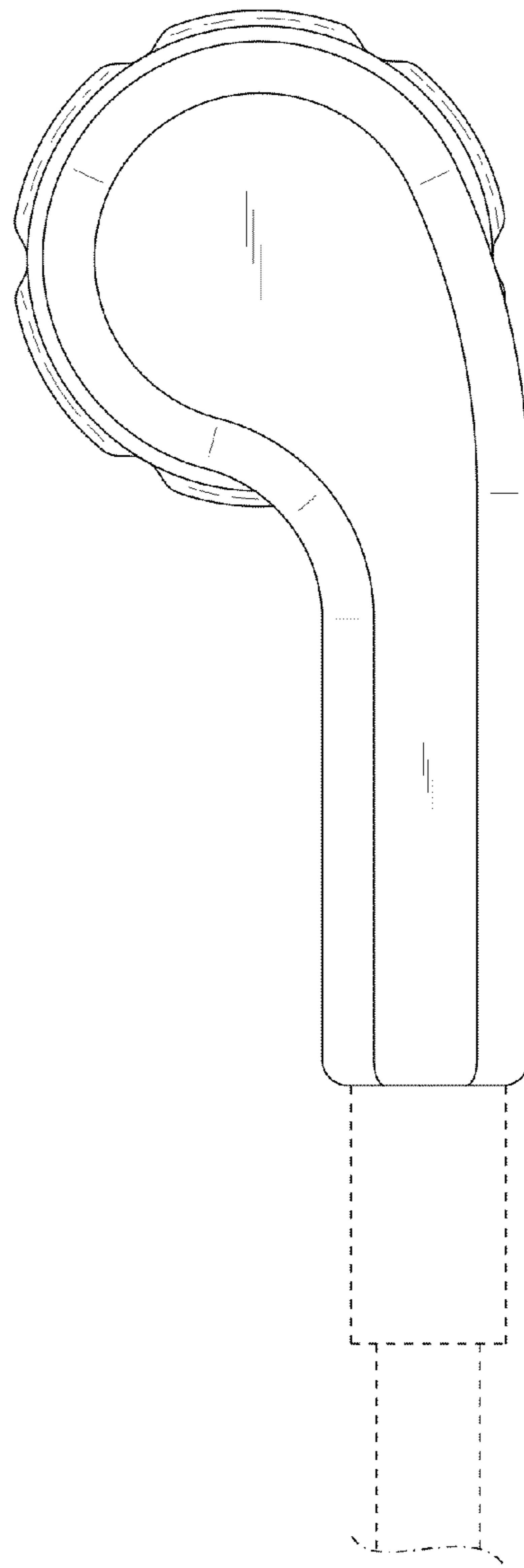


FIG. 6

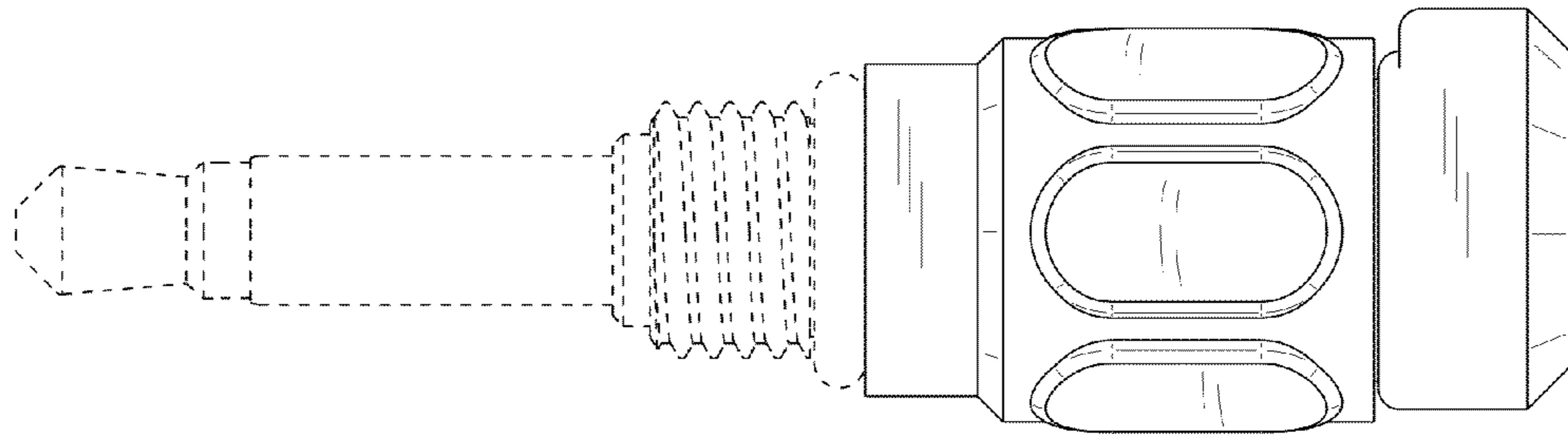


FIG. 7

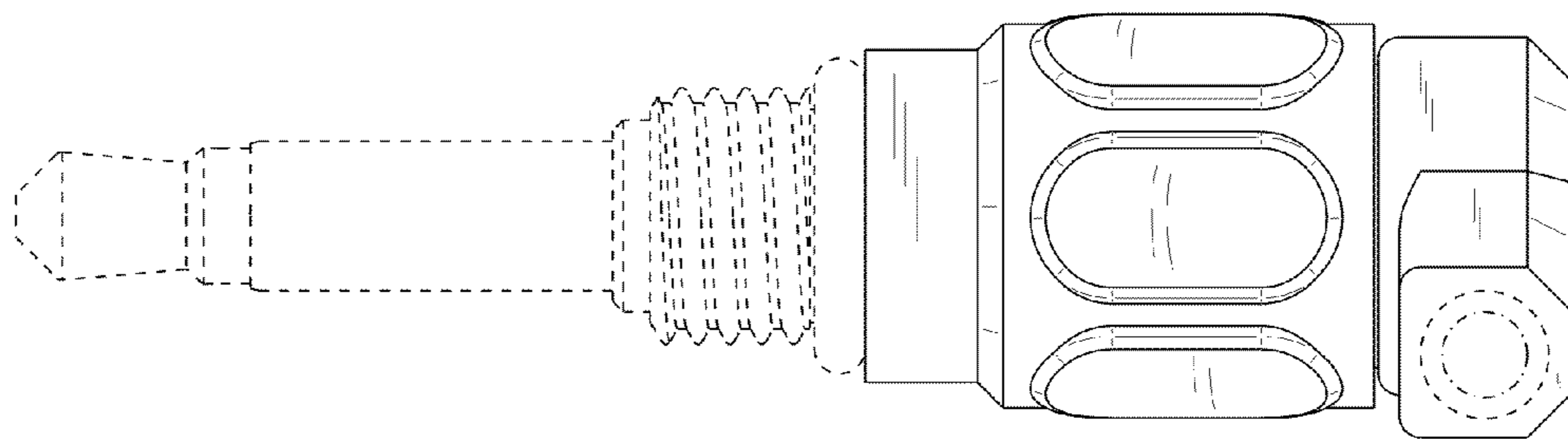


FIG. 8